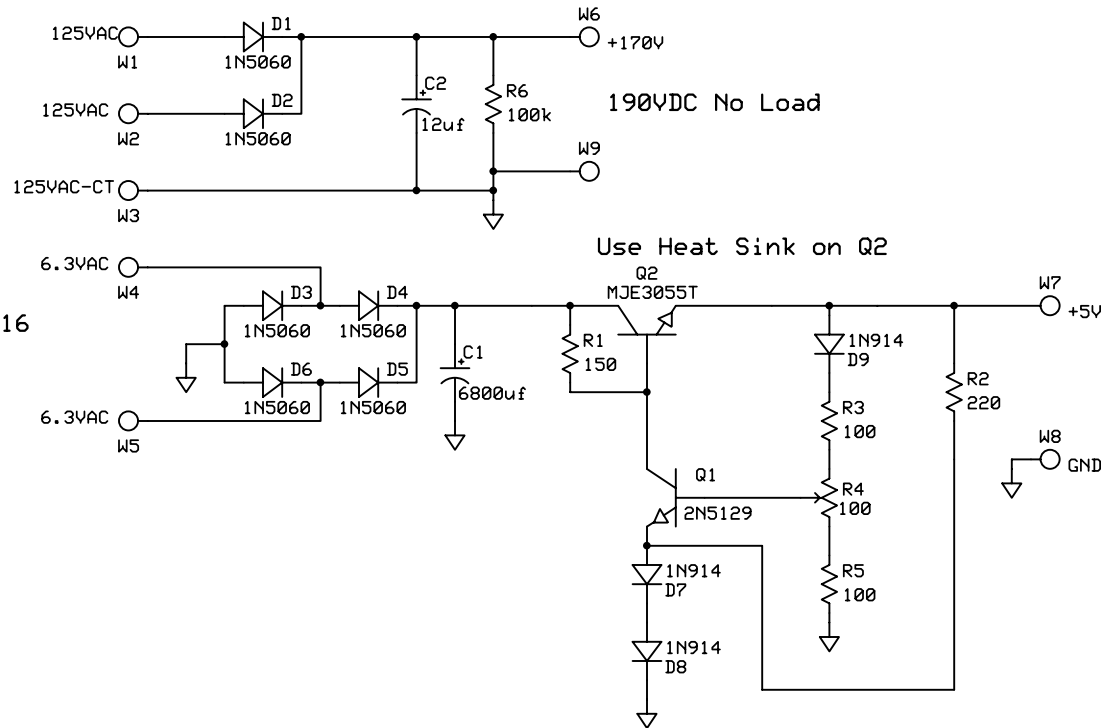
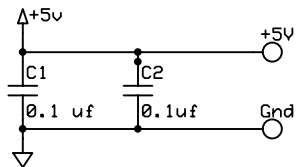
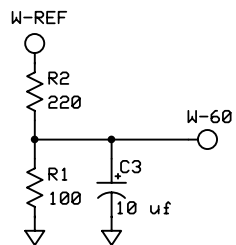
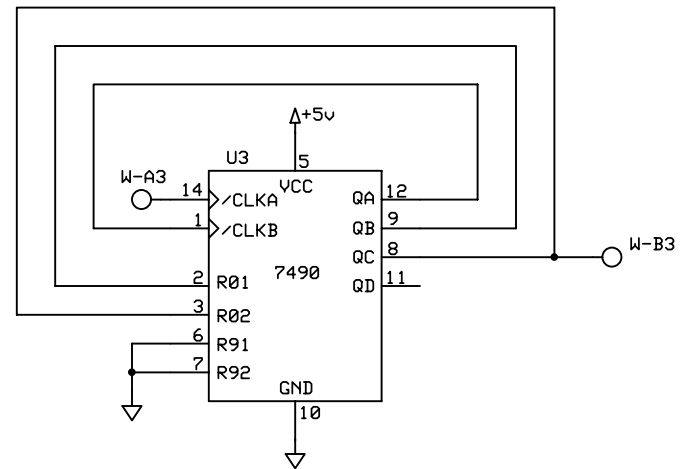
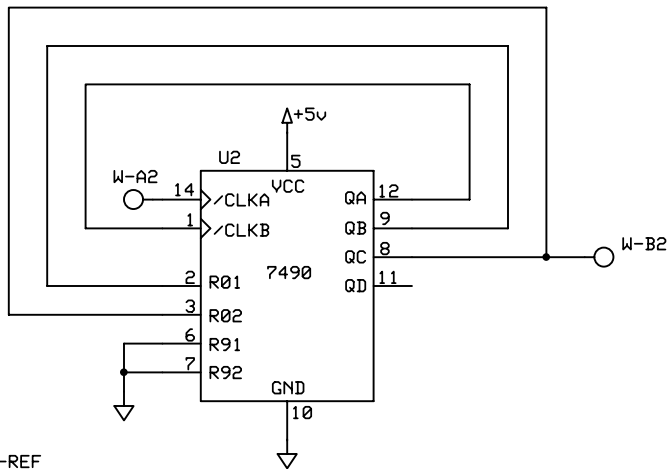
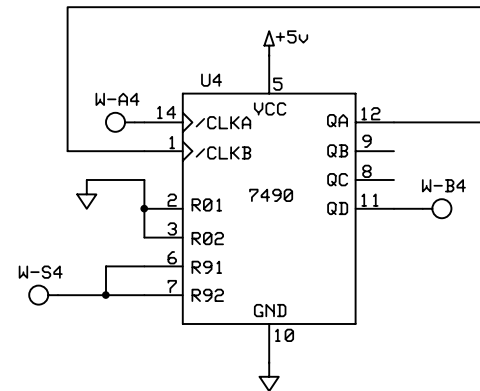
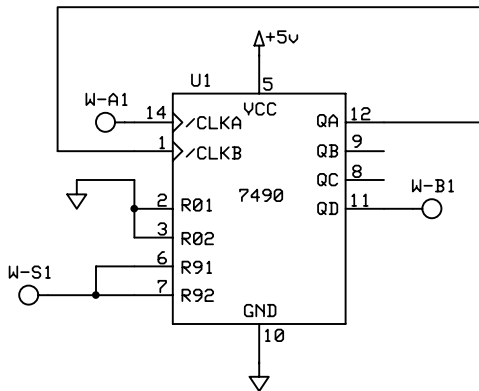


Transformer
 Stancor PS-8416
 250V CT 25 mA
 6.3V 1 A



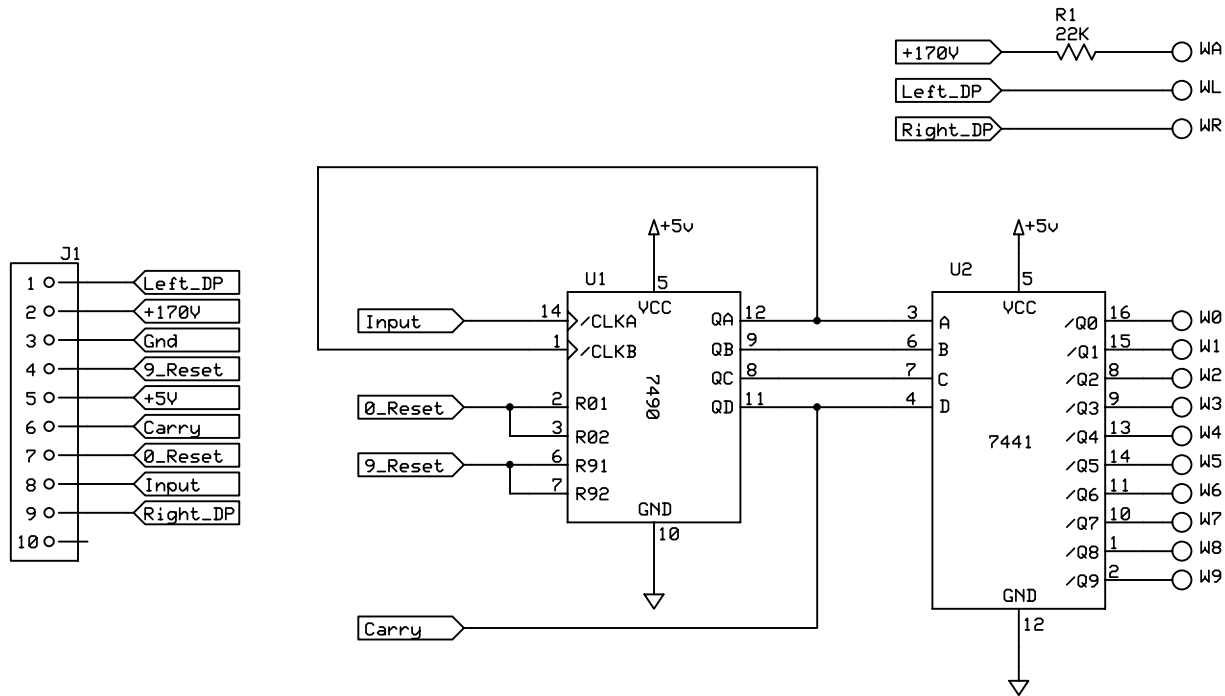
Design can be found in:
 December 1970 Popular Electronics, page 27
 February 1971 Popular Electronics, page 47

SWTPC		
P169 Power Supply		
Michael Holley	Rev 1.0	Page 1
	7/4/2005	



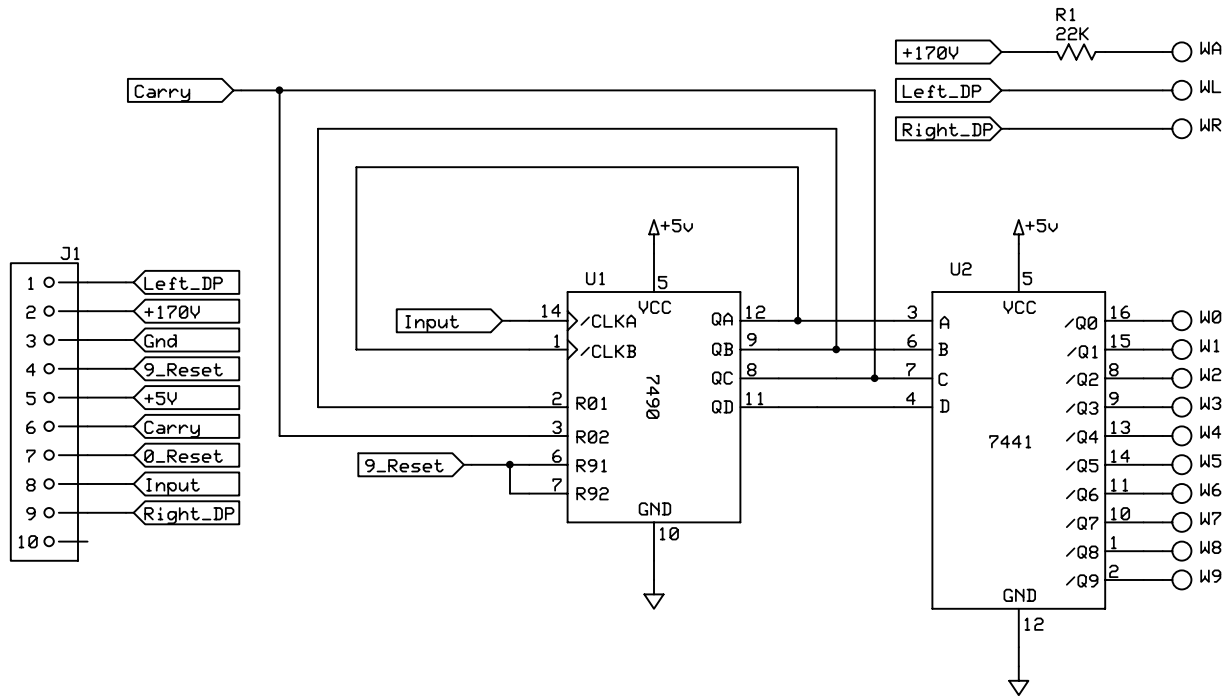
Design can be found in:
December 1970 Popular Electronics, page 26

SWTPC		
Quad Scaler		
Michael Holley	Rev 1.0	Model S-106
	8/7/2005	



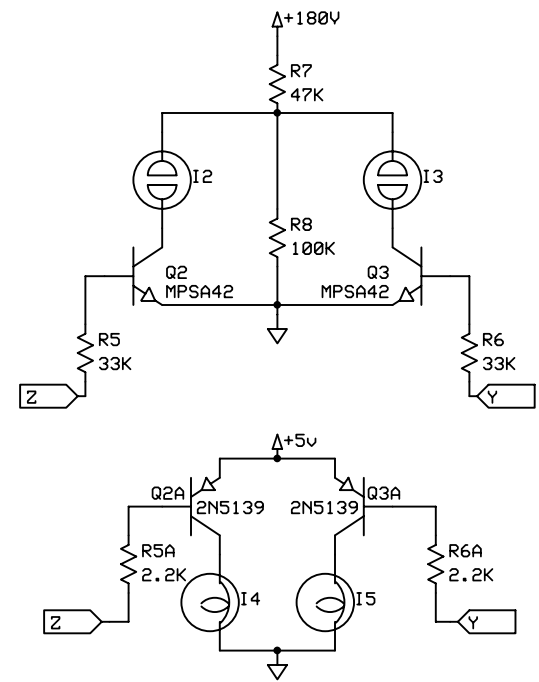
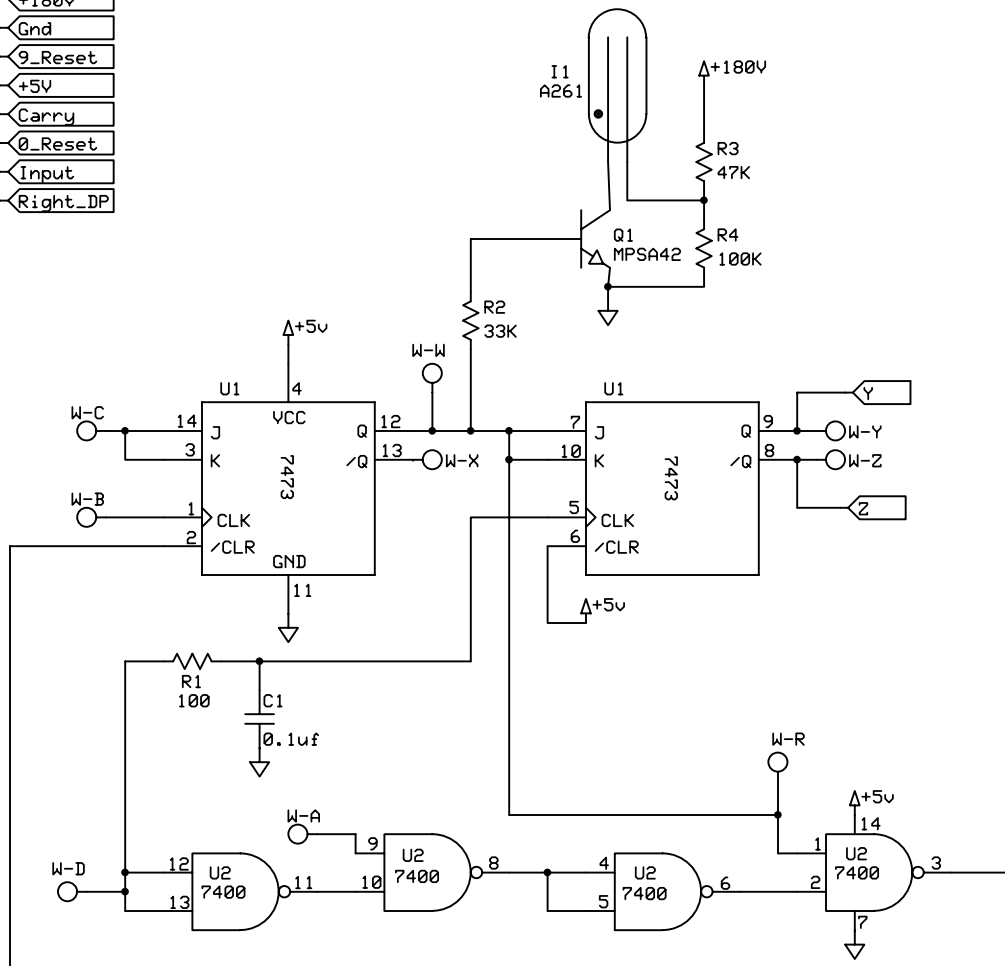
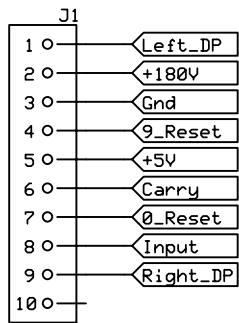
Design can be found in:
 November 1968 Popular Electronics, page 68

SWTPC		
Decade Counter		
Michael Holley	Rev 1.0	Page1
	7/24/2005	



Design can be found in:
 December 1970 Popular Electronics, page 27

SWTPC		
Modulo 6 Counter		
Michael Holley	Rev 1.0	Page1
	7/24/2005	



Design can be found in:
December 1970 Popular Electronics, page 28

SWTPC		
Tens Counter		
Michael Holley	Rev 1.0 8/09/2005	Page1