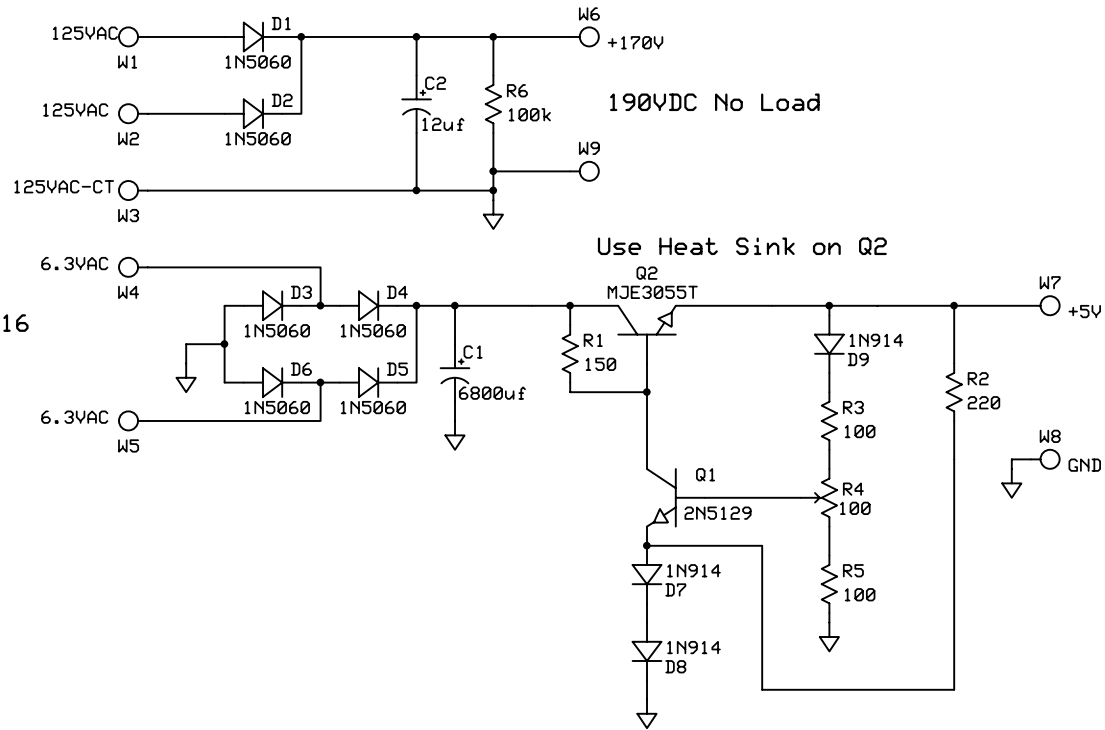


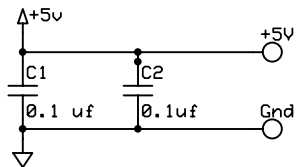
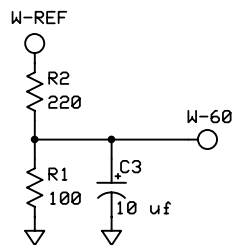
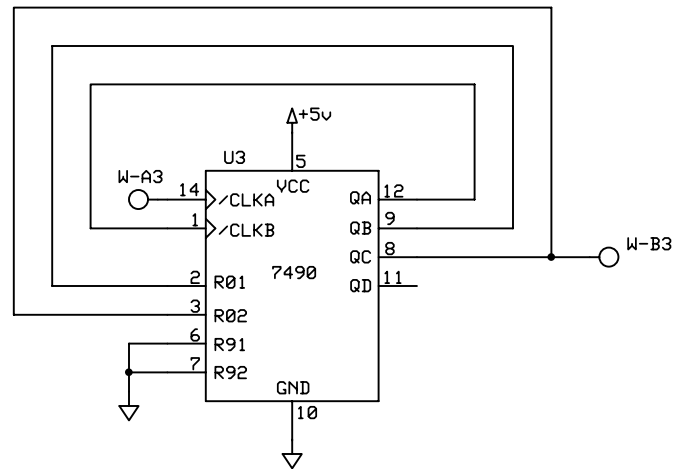
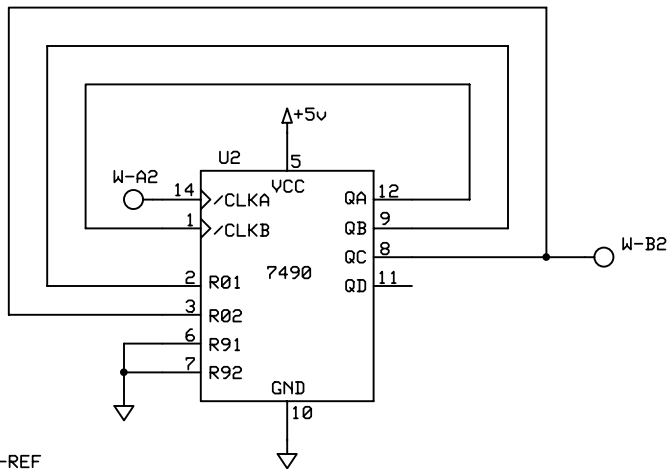
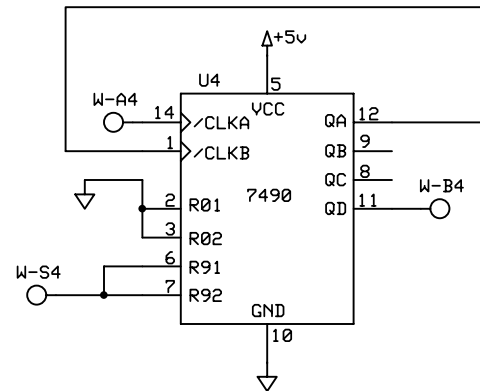
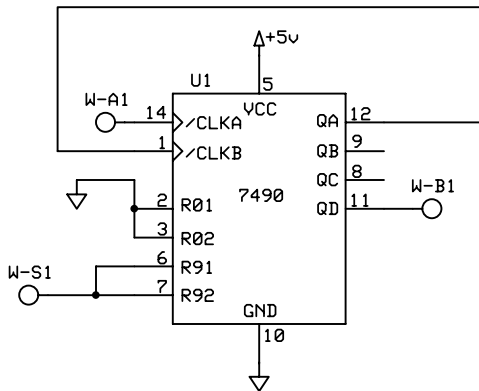
Transformer
 Stancor PS-8416
 250V CT 25 mA
 6.3V 1 A



Use Heat Sink on Q2

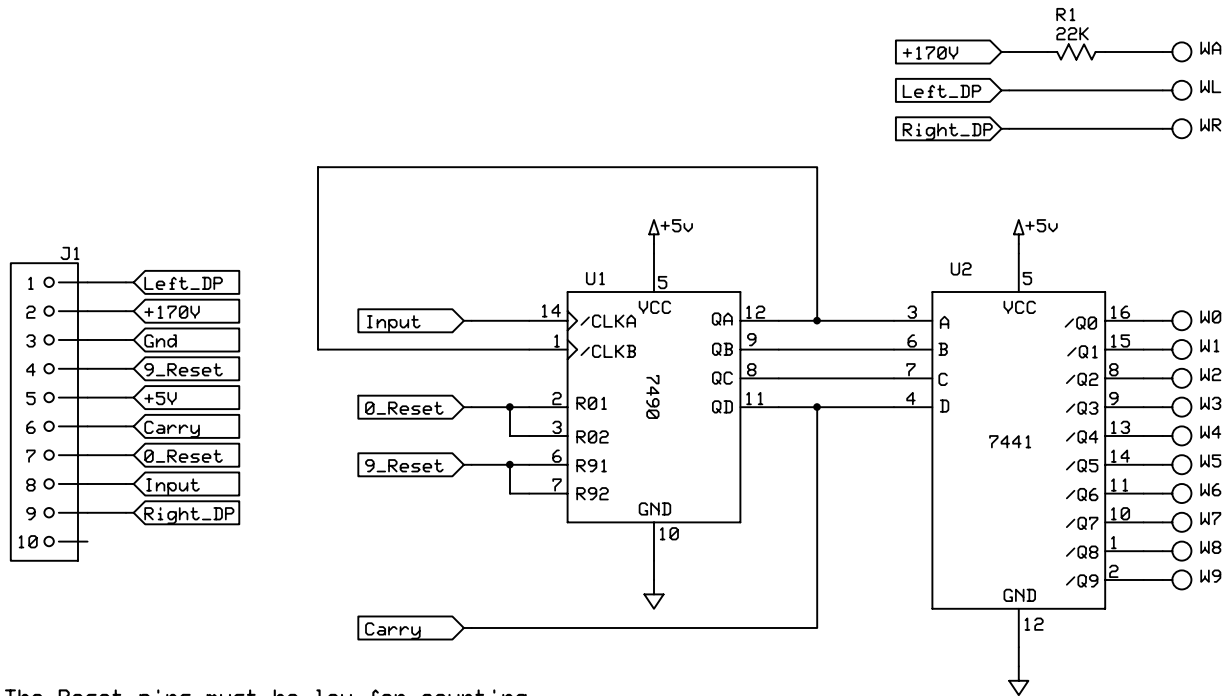
Design can be found in:
 December 1970 Popular Electronics, page 27
 February 1971 Popular Electronics, page 47

SWTPC		
P169 Power Supply		
Michael Holley	Rev 1.0	Page 1
	7/4/2005	



Design can be found in:
December 1970 Popular Electronics, page 26

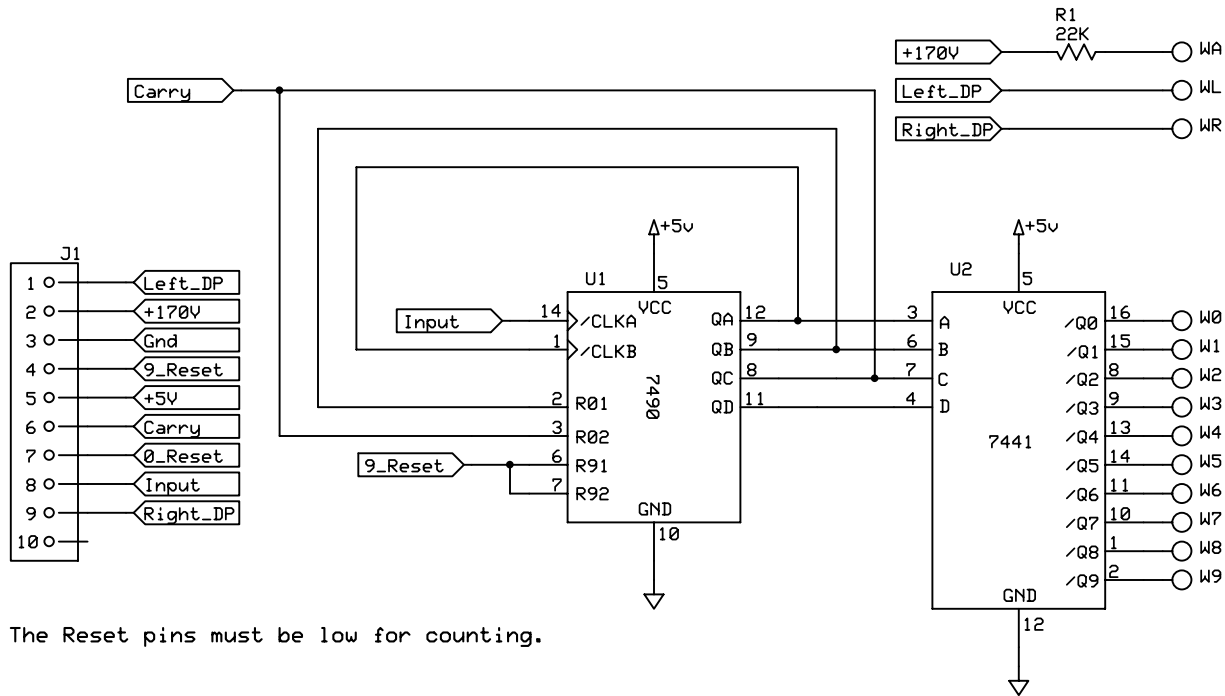
SWTPC		
Quad Scaler		
Michael Holley	Rev 1.0	Model S-106
	8/7/2005	



The Reset pins must be low for counting.

Design can be found in:
November 1968 Popular Electronics, page 68

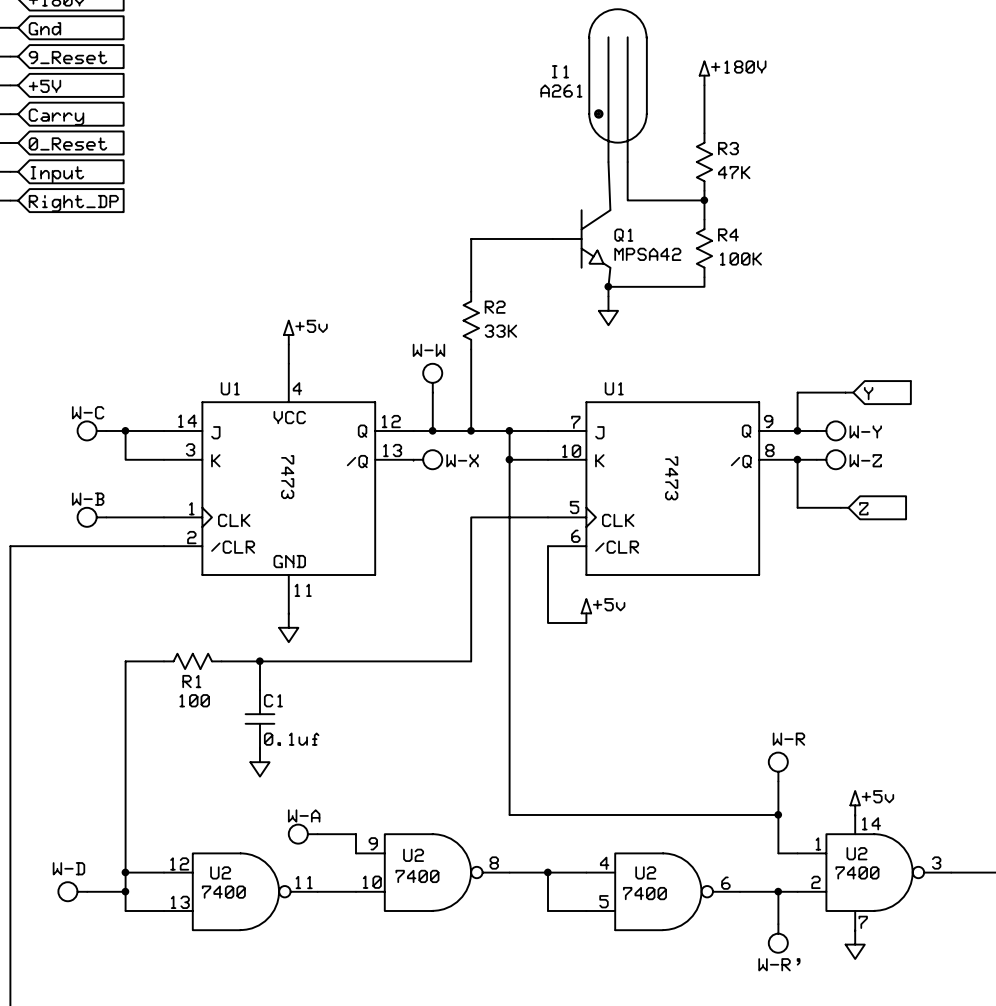
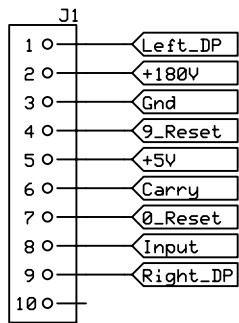
SWTPC		
Decade Counter		
Michael Holley	Rev 1.0	Page1
	9/07/2005	



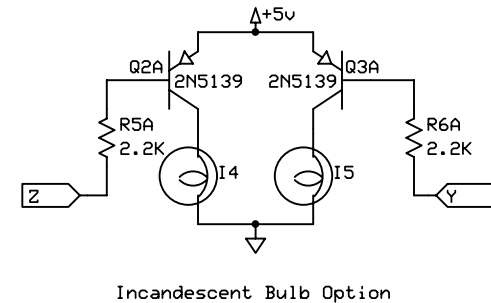
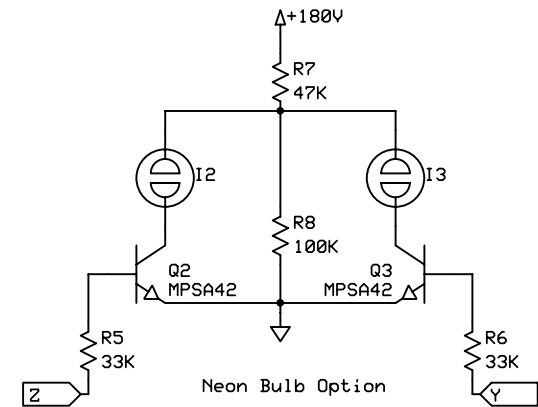
The Reset pins must be low for counting.

Design can be found in:
December 1970 Popular Electronics, page 27

SWTPC		
Modulo 6 Counter		
Michael Holley	Rev 1.0	Page1
	9/07/2005	

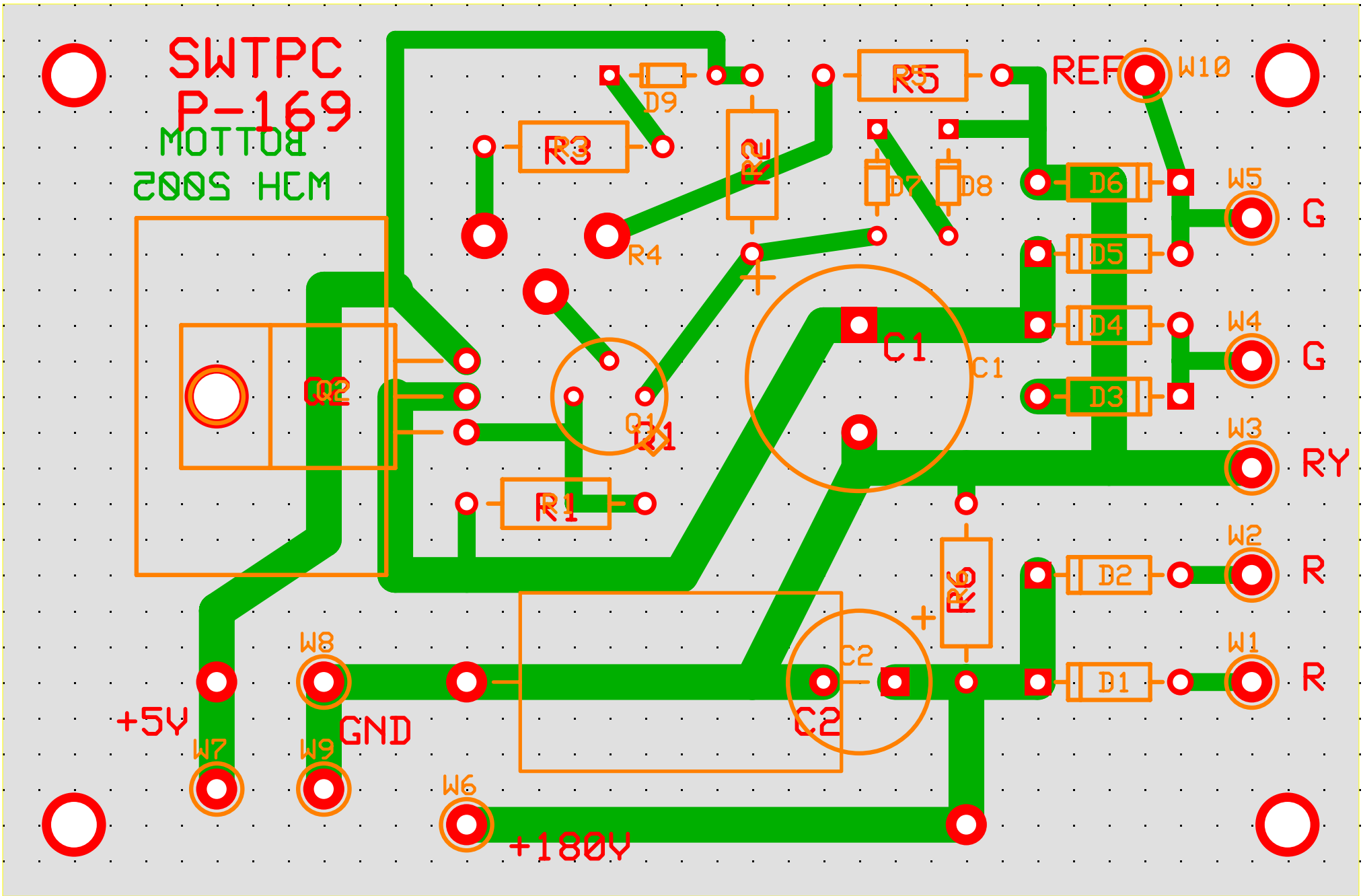


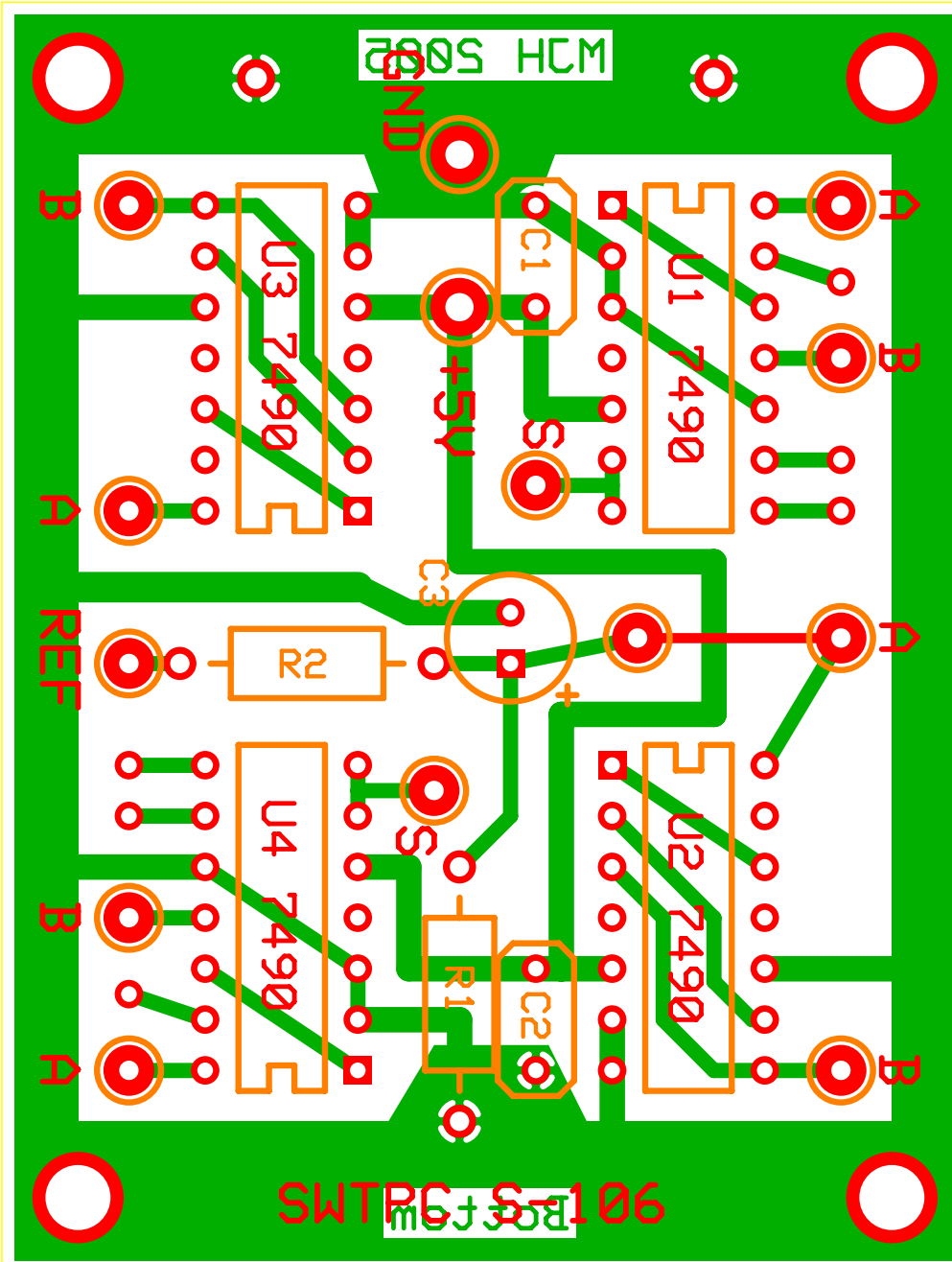
Connect R and R' to pins 6 and 7
of the 7490 in the hours decade counter

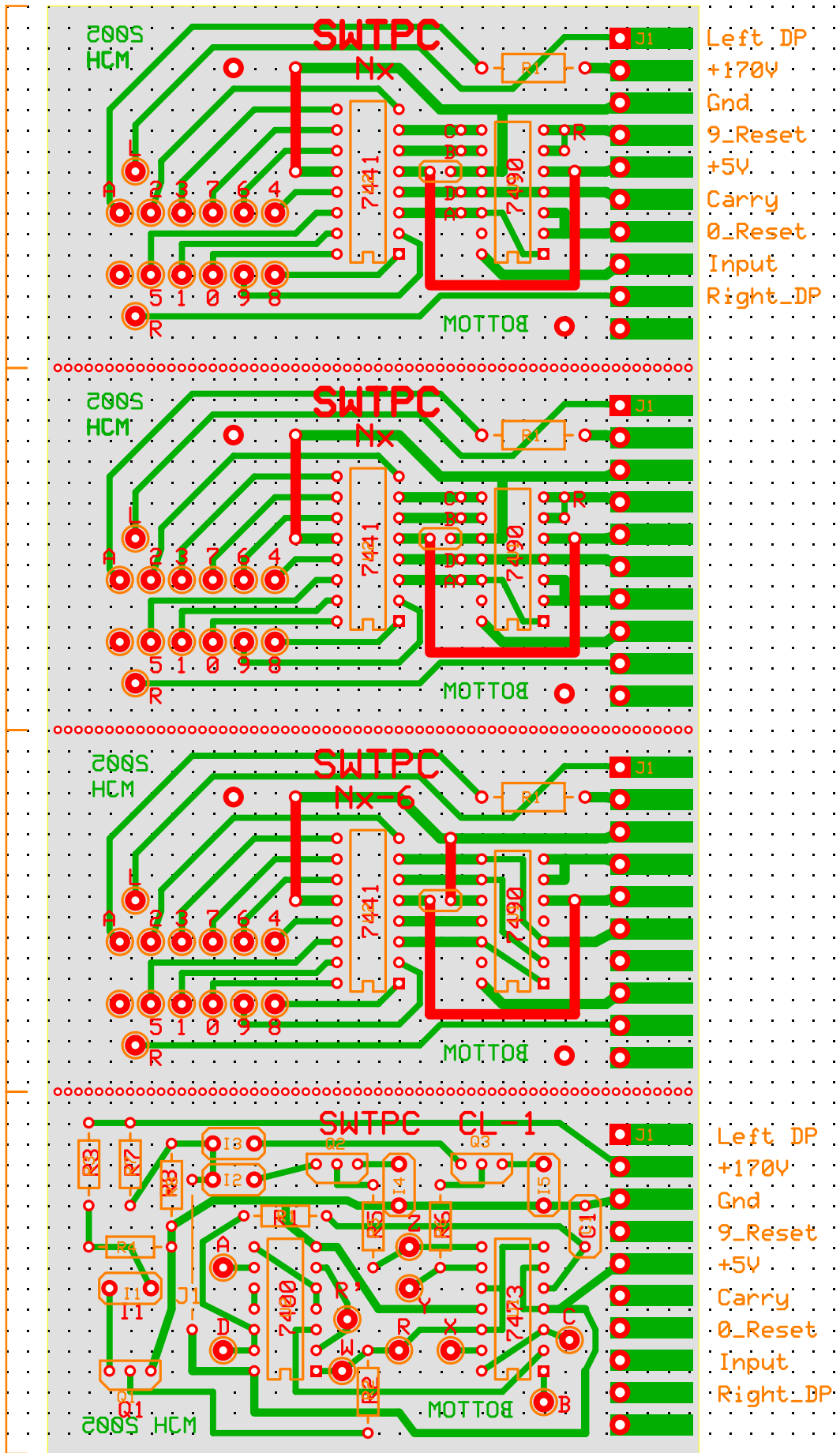


Design can be found in:
December 1970 Popular Electronics, page 28

SWTPC		
Tens Counter		
Michael Holley	Rev 1.0 9/07/2005	Page1







Digi-Vista Digital Clock
 Gary Kay and Daniel Meyer
 December 1970 Popular Electronics
 Michael Holley, August 2005