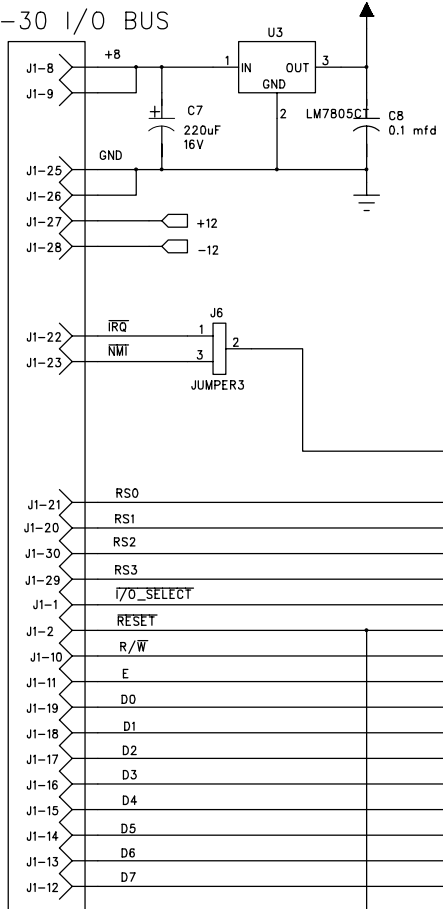
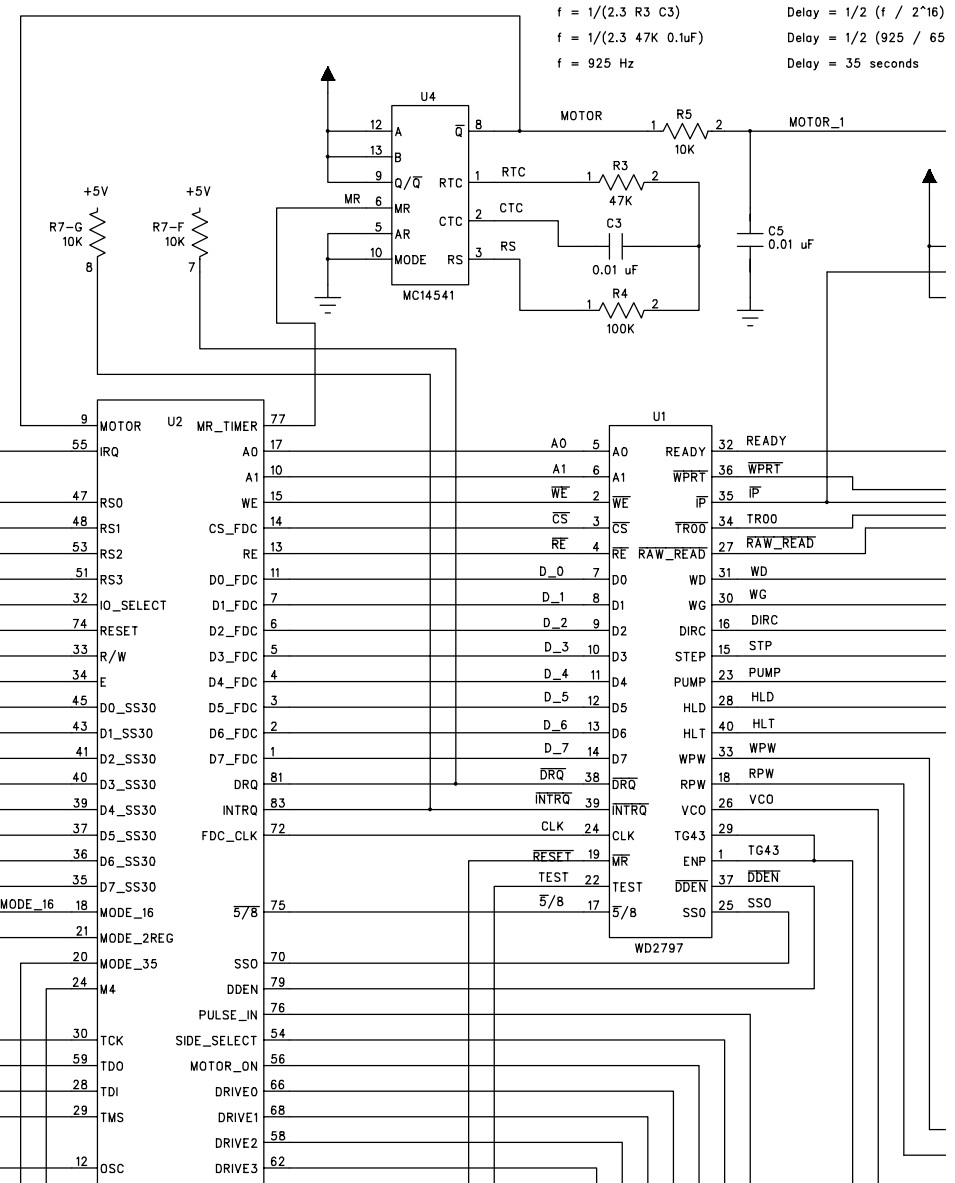


SS-30 I/O BUS



f on U4 pin 1
 $f = 1/(2.3 R3 C3)$
 $f = 1/(2.3 47K 0.01uF)$
 $f = 925 \text{ Hz}$
 pulse on U4 pin 8
 $\text{Delay} = 1/2 (f / 2^{16})$
 $\text{Delay} = 1/2 (925 / 65)$
 $\text{Delay} = 35 \text{ seconds}$



JTAG Programming

