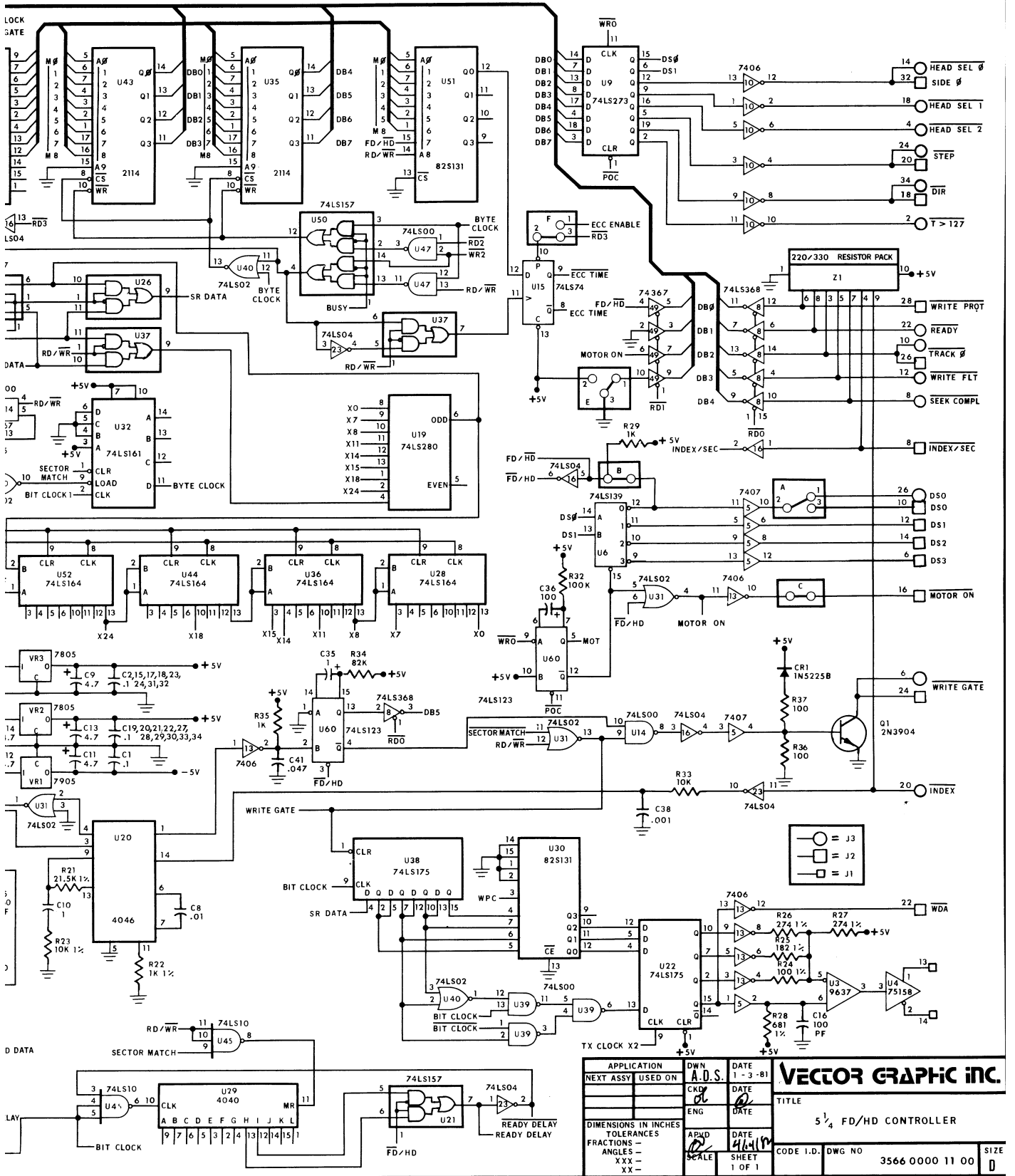


AF  
 NEXT A  
 DIMENS  
 TC  
 FRACTI  
 ANC

ECR	REV	DESCRIPTION	DATE	APPD
580	10	MINOR CIRCUIT CHANGE	2-4-82	
694	11	UPDATE TO SUIT 8088	4-11-82	



APPLICATION	DWN	DATE	<b>VECTOR GRAPHIC INC.</b>
NEXT ASSY USED ON	A.D.S.	1 - 3 - 81	
DIMENSIONS IN INCHES	APWD	DATE	TITLE
TOLERANCES	SCALE	SHEET	5 1/4 FD/HD CONTROLLER
FRACTIONS -		1 OF 1	CODE I.D. DWG NO
ANGLES -			3566 0000 11 00
XXX -			SIZE
XX -			D