

6353WD

REVISIONS

ISSUE	DATE	AUTH. NO.
2	11-20-62	79266
3	1-8-64	79934
4	4-9-64	81640
5	6-9-64	81773
6	11-27-64	84602
7	2-15-65	84593-1
8	3-1-65	85643
9	3-1-65	85643
10	10-15-65	88583
11	12-11-65	89073
12	2-11-66	90357
13	3-9-66	93742
14	5-2-66	93742
15	5-2-66	93742
16	5-2-66	93742
17	5-2-66	93742
18	5-2-66	93742
19	10-19-66	92181
20	12-28-66	92952
21	3-1-67	93469
22	3-31-70	998776
23	3-31-70	1170
24	1-22-71	419

NOTE: DIMENSIONS MUST ALSO BE REFLECTED ON THE ISSUED CONTROL RECORD. ANY CHANGE IS A PART OF THIS DRAWING.

SEE SHEET ONE FOR NOTES

5A7

507

5C4

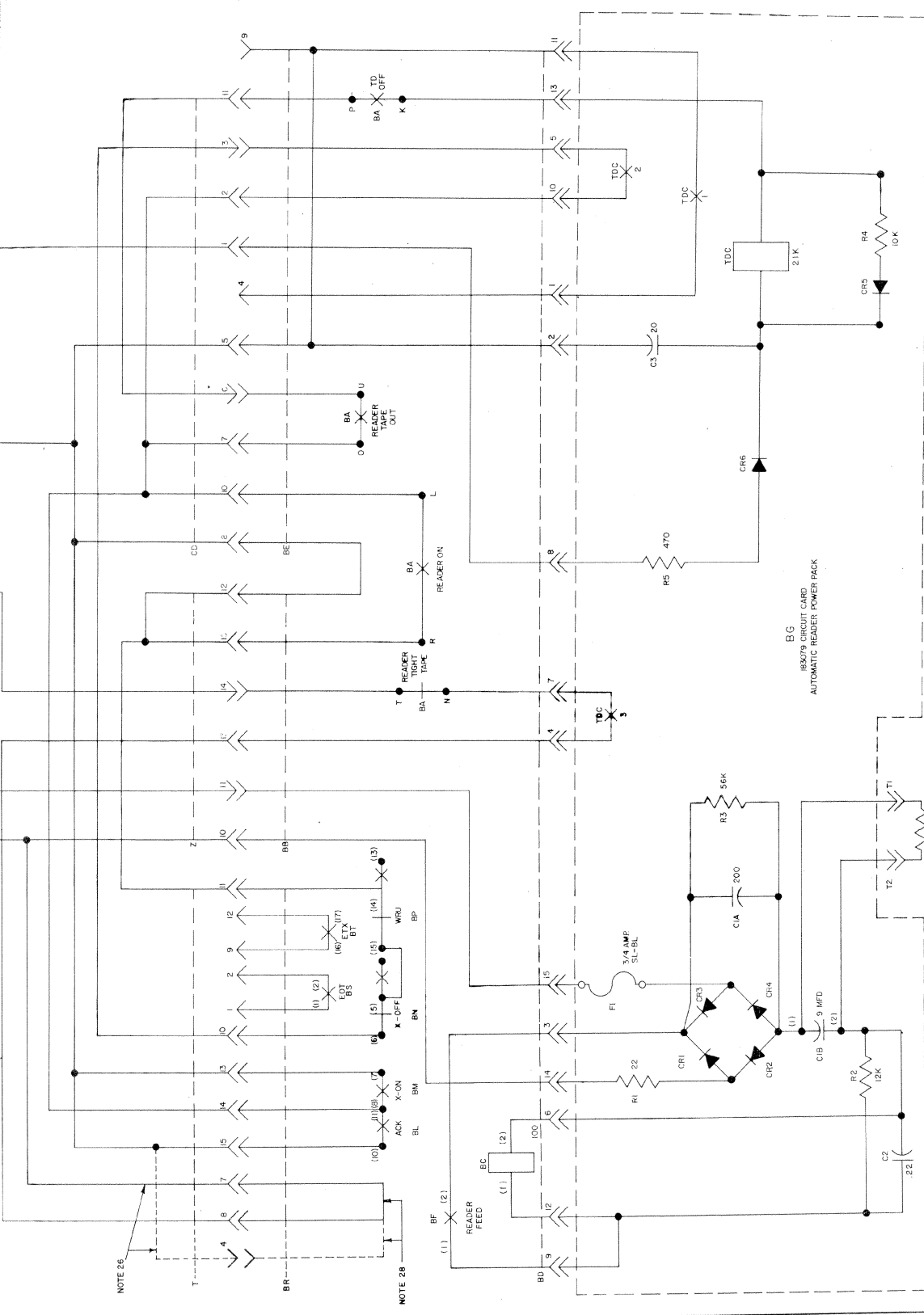
5B8

5B8

5B8

5B8

AUTOMATIC READER CIRCUITRY



NOTE 25

NOTE 28

S&I ISSUE CONTROL RECORD FOR COMPLETE LIST OF SHEETS COMPRISING THIS DRAWING

SHEET 4

SCHMATIC WIRING DIAGRAM

FOR MODEL 33 ASR, ASR, MO DC SIGNAL LINE

APPROVALS

D AND R	E OF M
LB	

E-NUMBER

PROD. NO. 5353 WD

DATE 4-28-67

P.D. FILE NO. 2-30 027/03AA

DRAWN JER

ENGR. A.S.

CHKD.

APPD.

TELETYPE CORPORATION

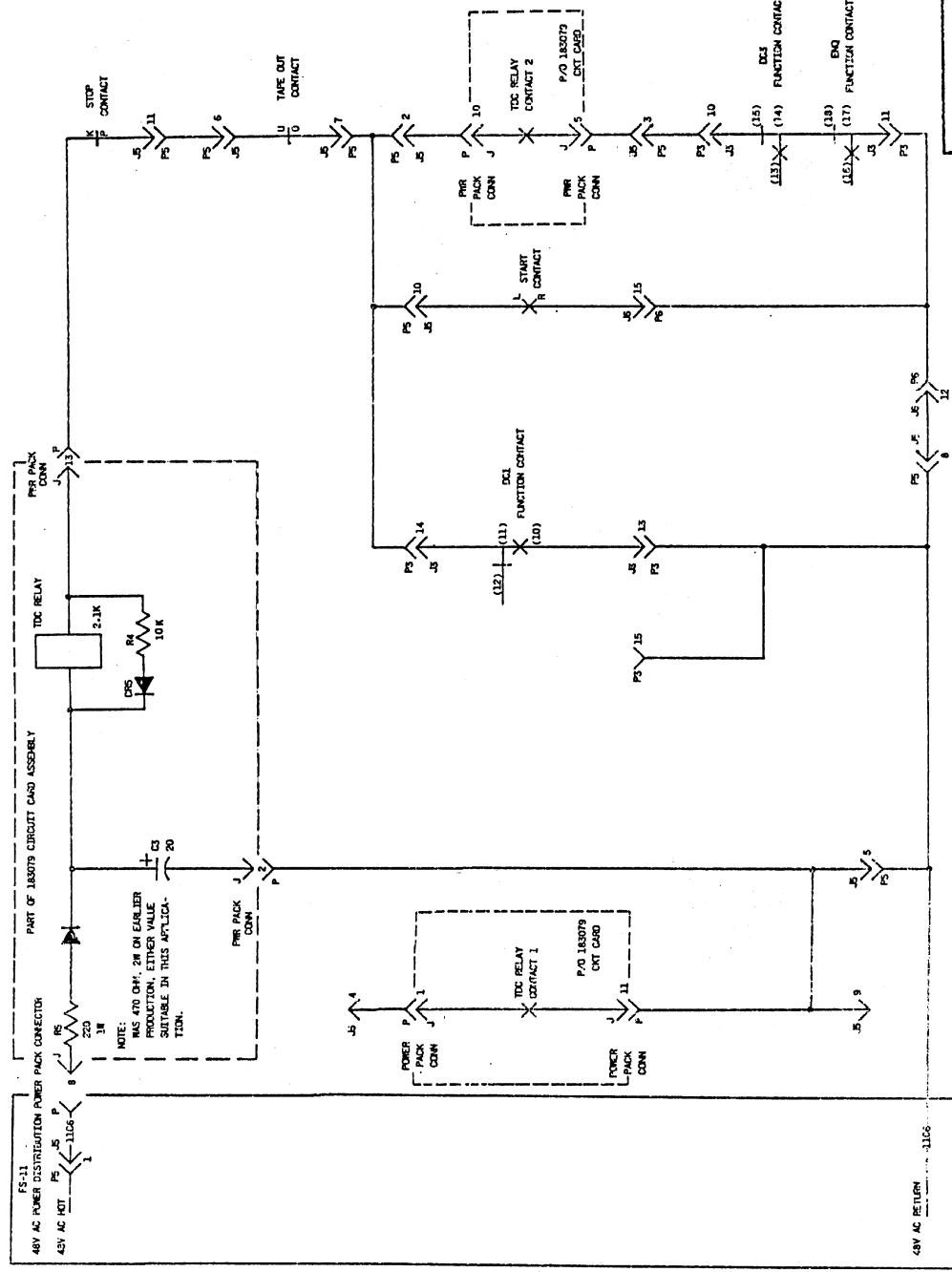
6353WD

ISSUE
1
2

# FS-7

## AUTOMATIC READER LOGIC

(ASR SETS W/AUTOMATIC READER ONLY)



MODEL 33  
NO. NSR, ASR SETS  
2300, 3310, 3320 SERIES



1180 SD-B7