

upon receipt of an answer-back actuation signal, the answer-back mechanism will be triggered. Hence, with the character-suppression time removed from the last row of an answer-back cycle, typing unit answer-back mechanisms will only respond to every other answer-back actuation signal unless an intervening character is received through the selector mechanism.

5. OPTIONAL FEATURES

PRINT NONPRINT

5.01 The function of the print nonprint mechanism is to block all the function levers from rising (except the print suppression function lever) during the function cycle. There are

two types of print nonprint mechanisms, one magnet operated and one solenoid operated.

A. Magnet Operated

5.02 The magnet operated print nonprint mechanism shown in Figure 39 allows transmission or reception of tape messages without printed page copy. An on and off toggle switch and a red indicator lamp mount to the right of the platen on the call control unit panel. The switch controls a magnet attached to the typing unit casting. The red indicator lamp lights when the mechanism is activated and the typing unit placed in the nonprint mode. Operation of the magnet attracts an armature which pivots a bellcrank. Operation of the bellcrank moves a nonprint codebar which blocks all the function levers except a special function lever. This special function lever rises every cycle. In so doing, it blocks the print suppression

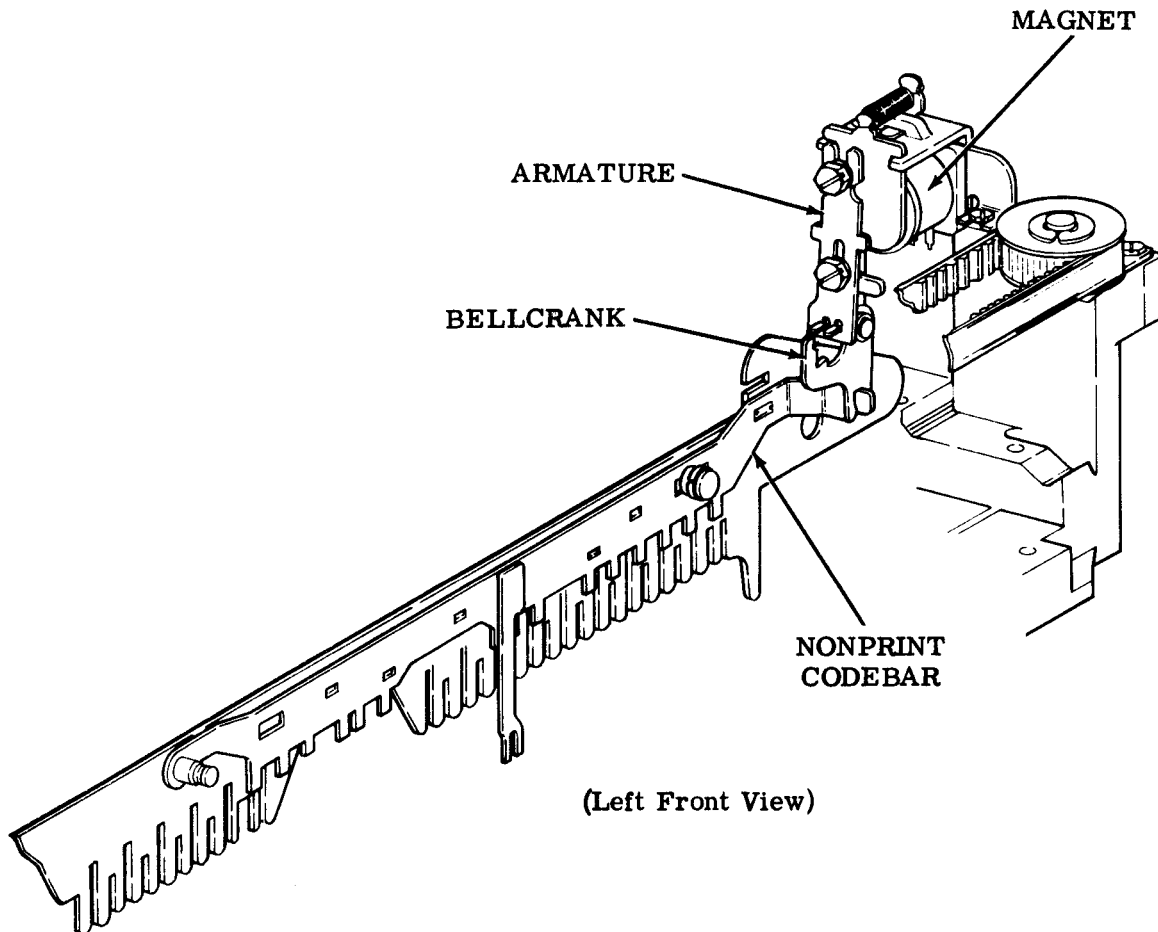


Figure 39 - Magnet Operated Print Nonprint Mechanism

codebar and thus printing is suppressed. Turning the mechanism off extinguishes the indicator light and the nonprint codebar returns to its unoperated position under spring tension.

B. Solenoid Operated

5.03 The solenoid operated print nonprint mechanism shown in Figure 40 is a remote-controlled device consisting of a bracket

which supports a solenoid. At the end of the solenoid plunger is attached a lever which is part of the nonprint codebar. Activation of the solenoid pulls the plunger and thus positions the nonprint codebar, blocking all the function levers except the print suppression function lever. Operation of the print suppression function lever suppresses printing. At the receipt of the off signal the nonprint codebar moves to its unoperated position under spring tension.

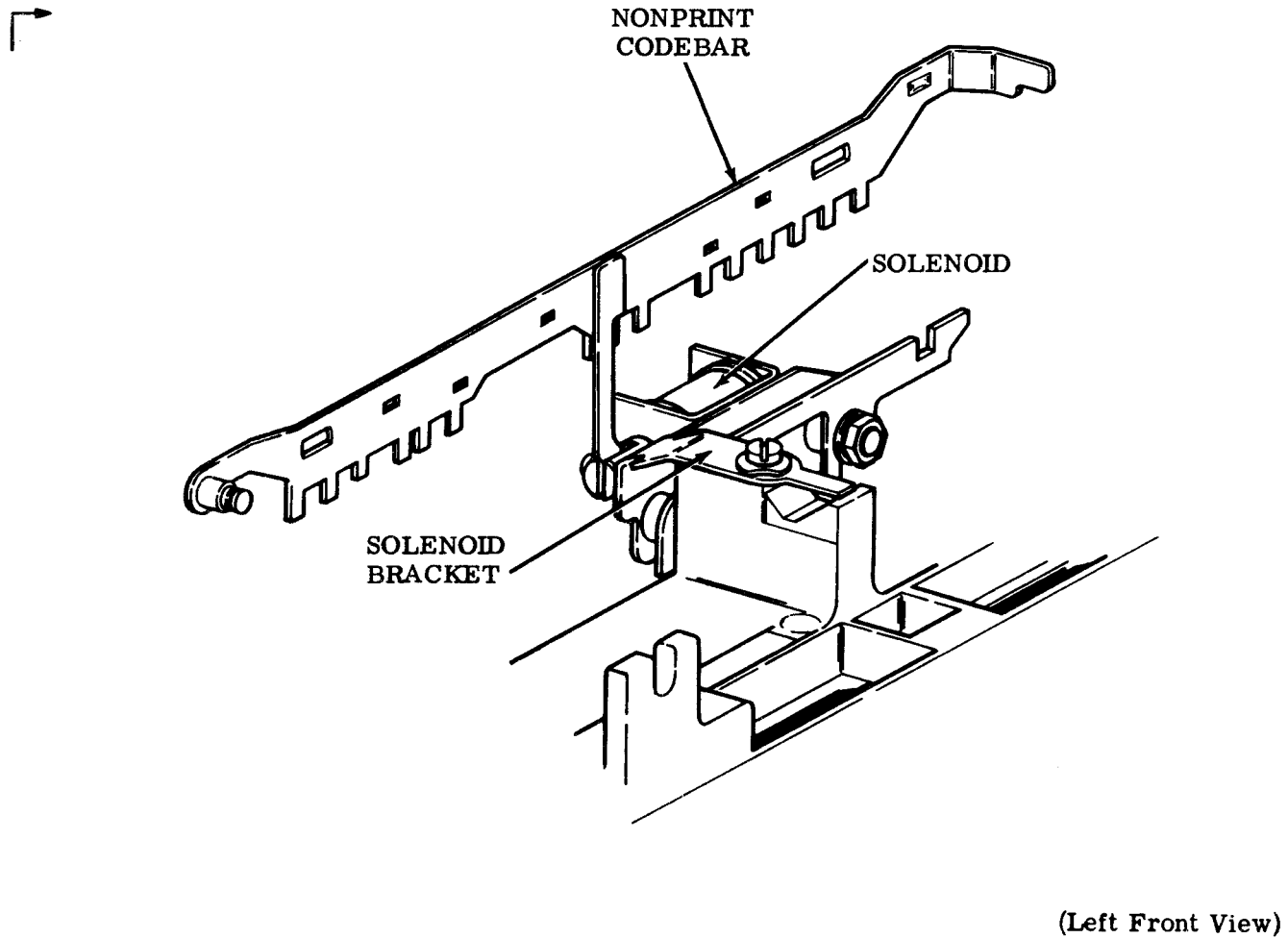


Figure 40 - Solenoid Operated Print Nonprint Mechanism

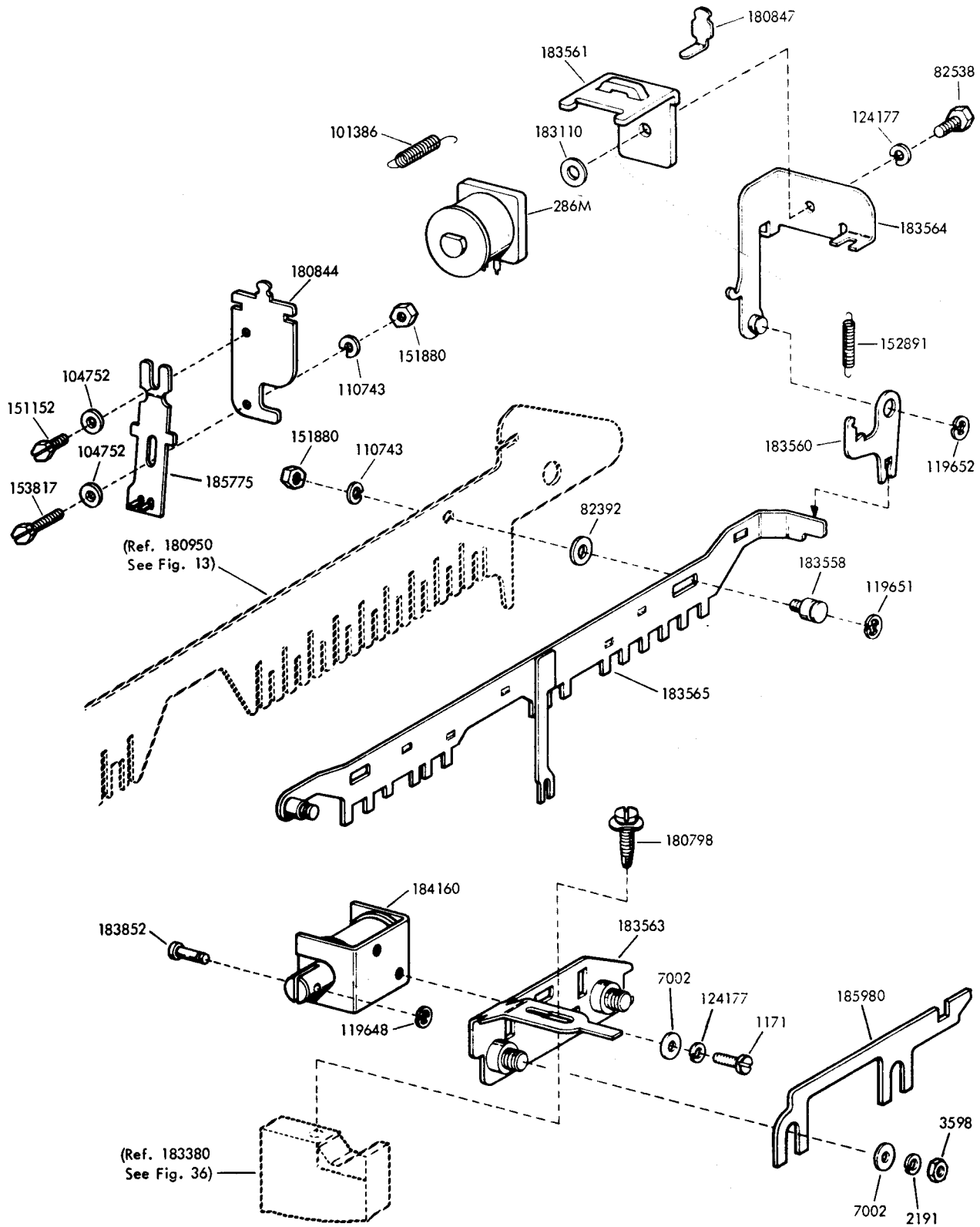


FIGURE 35. SOLENOID PRINT-NONPRINT RESET MECHANISM

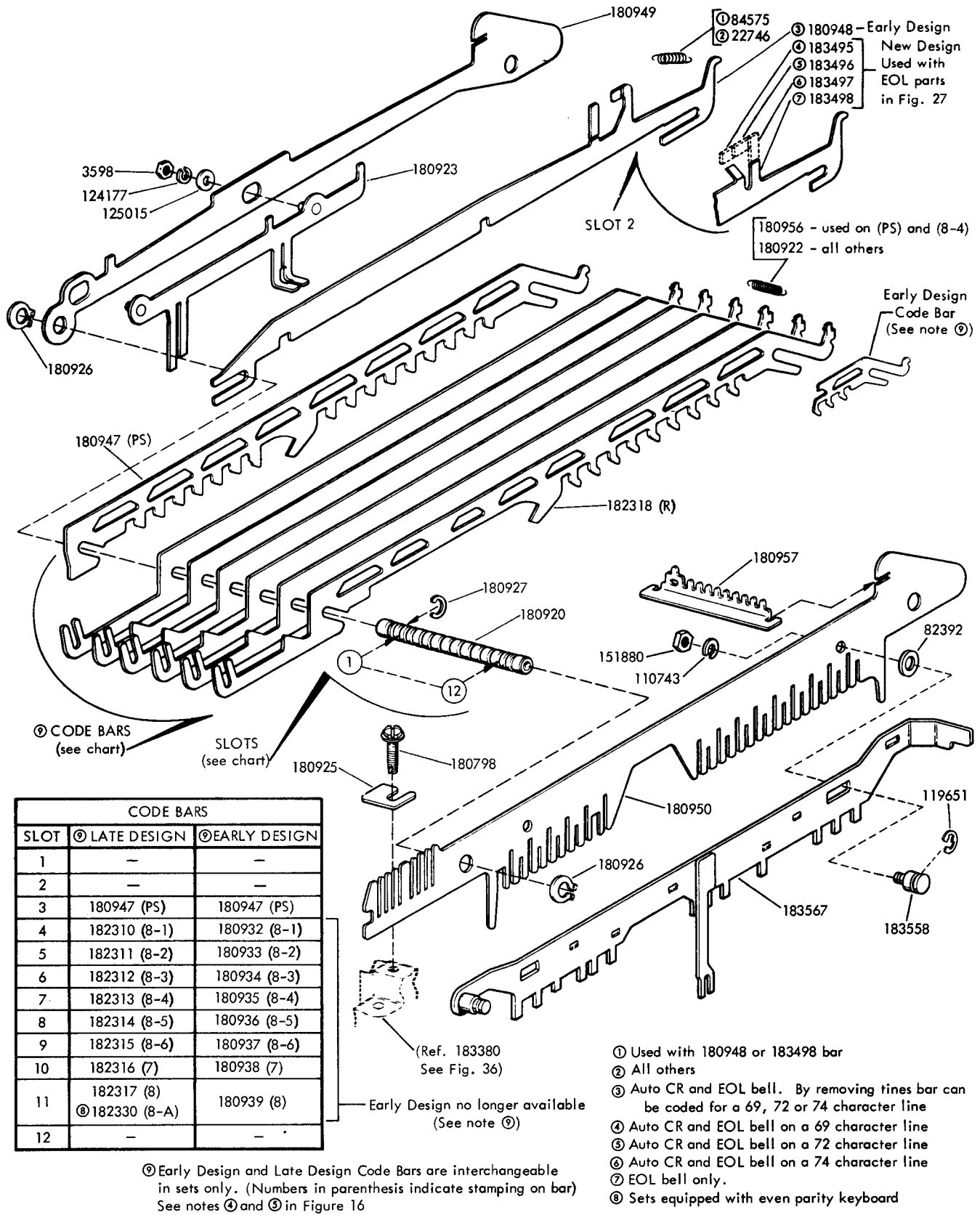


FIGURE 13. CODE BAR BASKET MECHANISM