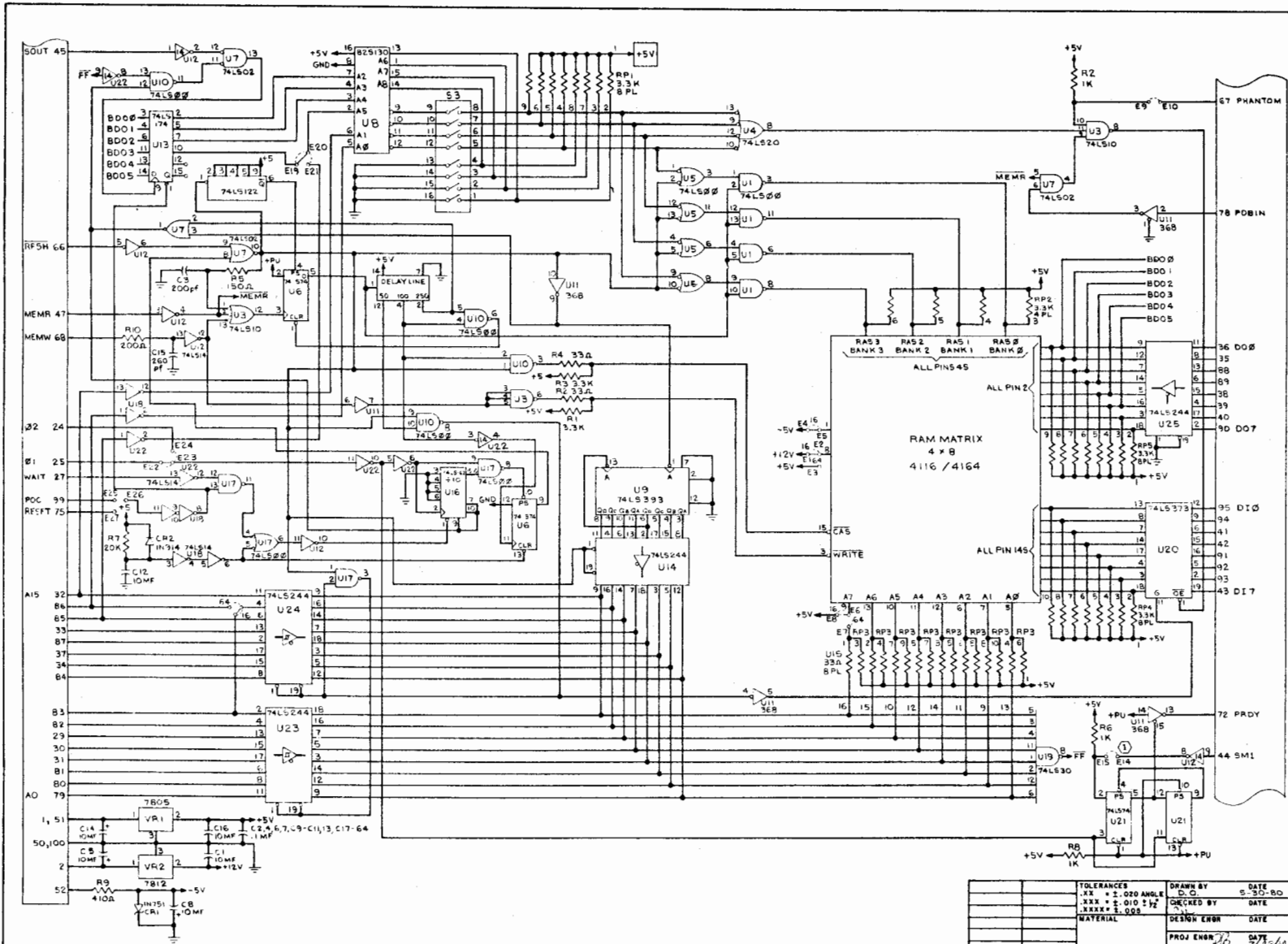


REVISIONS			
LTR	DESCRIPTION	DATE	APP.
E	PER ECN # 137		



NOTES: ① REMOVE JUMPER FOR 100A.

TOLERANCES .XX ± 2.000 ANGLE .XXX ± 5.010 ± 1/2 .XXXX ± 3.005 MATERIAL FINISH SD-200 NEXT ASSY USED ON	DRAWS BY C.C.C. CHECKED BY DATE DESIGN ENGR DATE PROJ ENGR DATE APPROVED DATE	DATE 5-30-80 DATE DATE DATE DATE DATE DATE	SD SYSTEMS GARLAND, TEXAS SCHEMATIC EXPANDRAM II SIZE CODE IDENT D O100161 SCALE DO NOT SCALE DRAWING SHEET 1 OF 1
---	--	---	--