

REVISIONS

REV	DESCRIPTION	APPROVAL	DATE
D	REDRAWN - ECN 200435		
E	ECN 200458	FEA	8-13-80

THIS MODIFICATIONS ADDS THE INTERRUPT SYNCHRONIZER TO ALL CPU BOARDS (P/N 001062) THROUGH REVISION "G". THE INTERRUPT SYNCHRONIZER PREVENTS GENERATION OF A SPURIOUS INTERRUPT VECTOR IF A NEW INTERRUPT OCCURS AT THE INSTANT A VECTOR IS BEING READ DURING AN INTA CYCLE.

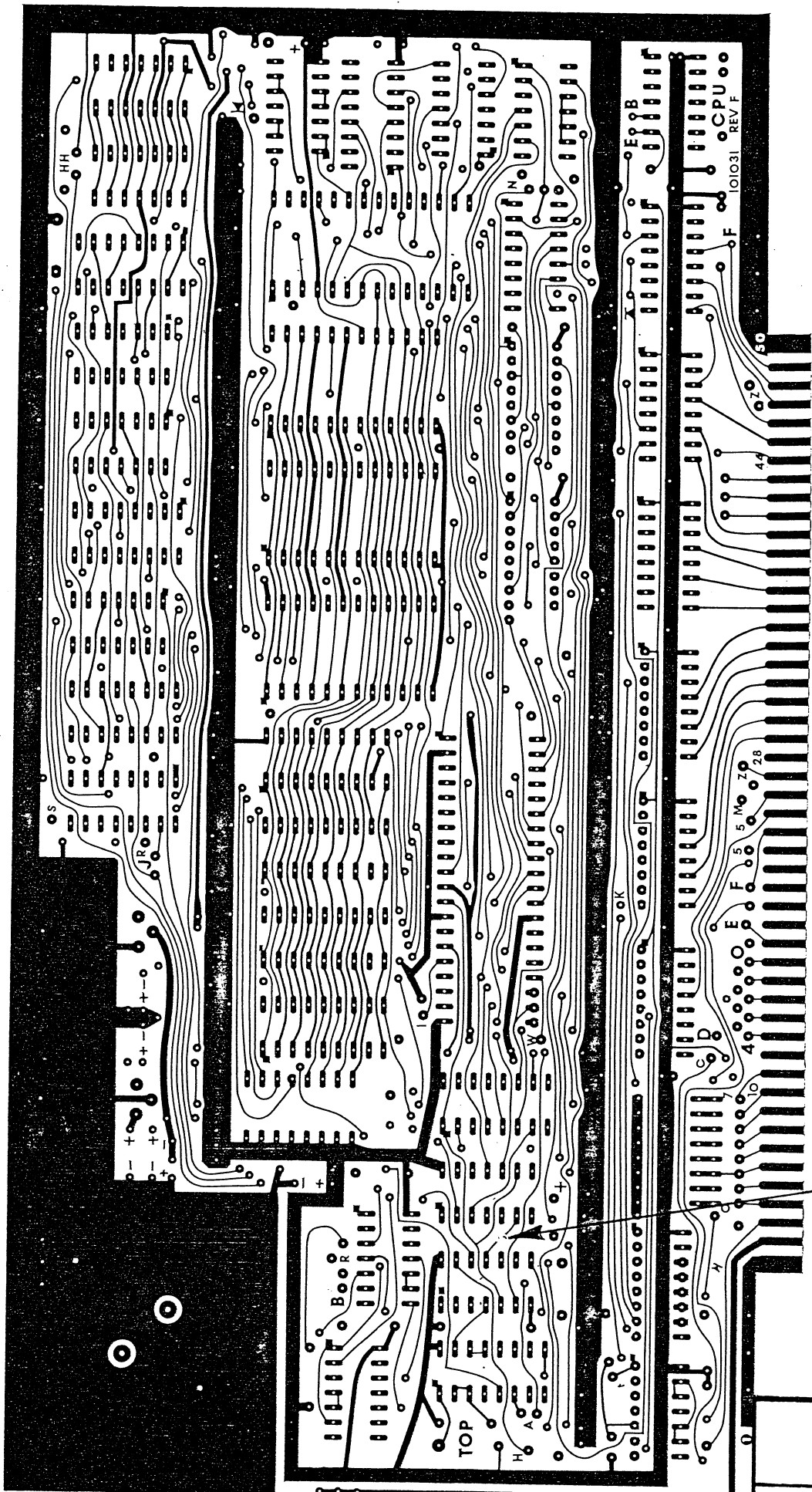
APPR. <i>H.G.D.</i>	DATE 7-21-80	<h1>PolyMorphic Systems</h1> <p>460 Ward Drive Santa Barbara Ca 93111 (805) 967-2351</p>
APPR. <i>F.E.A.</i>	DATE 7-21-80	
APPR. -		
CHECK		TITLE MODIFICATION - CPU BOARD INTERRUPT SYNCHRONIZER
WRITTEN BY		NUMBER 130527
		REV <i>E</i>
		SHEET 1 OF 1

1. CUT TRACE BETWEEN IC12-6 AND IC11-11 ON THE FRONT OF THE BOARD AS SHOWN.
2. CUT TRACE BETWEEN IC12-5 AND THE FEEDTHROUGH NEAR THE TOP OF IC13 ON THE BACK OF THE BOARD AS SHOWN.
3. INSTALL JUMPER BETWEEN IC12-5 AND IC15-1 AS SHOWN USING #28 GREEN KYNAR OR TEFLON COATED WIRE.
4. INSTALL JUMPER BETWEEN IC12-6 AND IC2-15 AS SHOWN USING #28 GREEN KYNAR OR TEFLON COATED WIRE.
5. INSTALL JUMPER AT VI6 AS SHOWN USING #28 GREEN KYNAR OR TEFLON COATED WIRE.
6. REMOVE IC2 (74148)
7. INSTALL 16- PIN SOCKET IF IF NOT PROVIDED ON CARD.
8. INSTALL INTERRUPT SYNCHRONIZER (P/N 005282) 16- PIN PLUG INTO IC2 SOCKET.
9. INSTALL #24 TINNED WIRE JUMPER BETWEEN INTERRUPT SYNCHRONIZER CARD AND CPU BOARD THREE PLACES AS SHOWN. THESE WIRES PROVIDE MECHANICAL SUPPORT FOR THE SYNCHRONIZER CARD. WIRE MUST BE PULLED TIGHT.

NUMBER:

130527

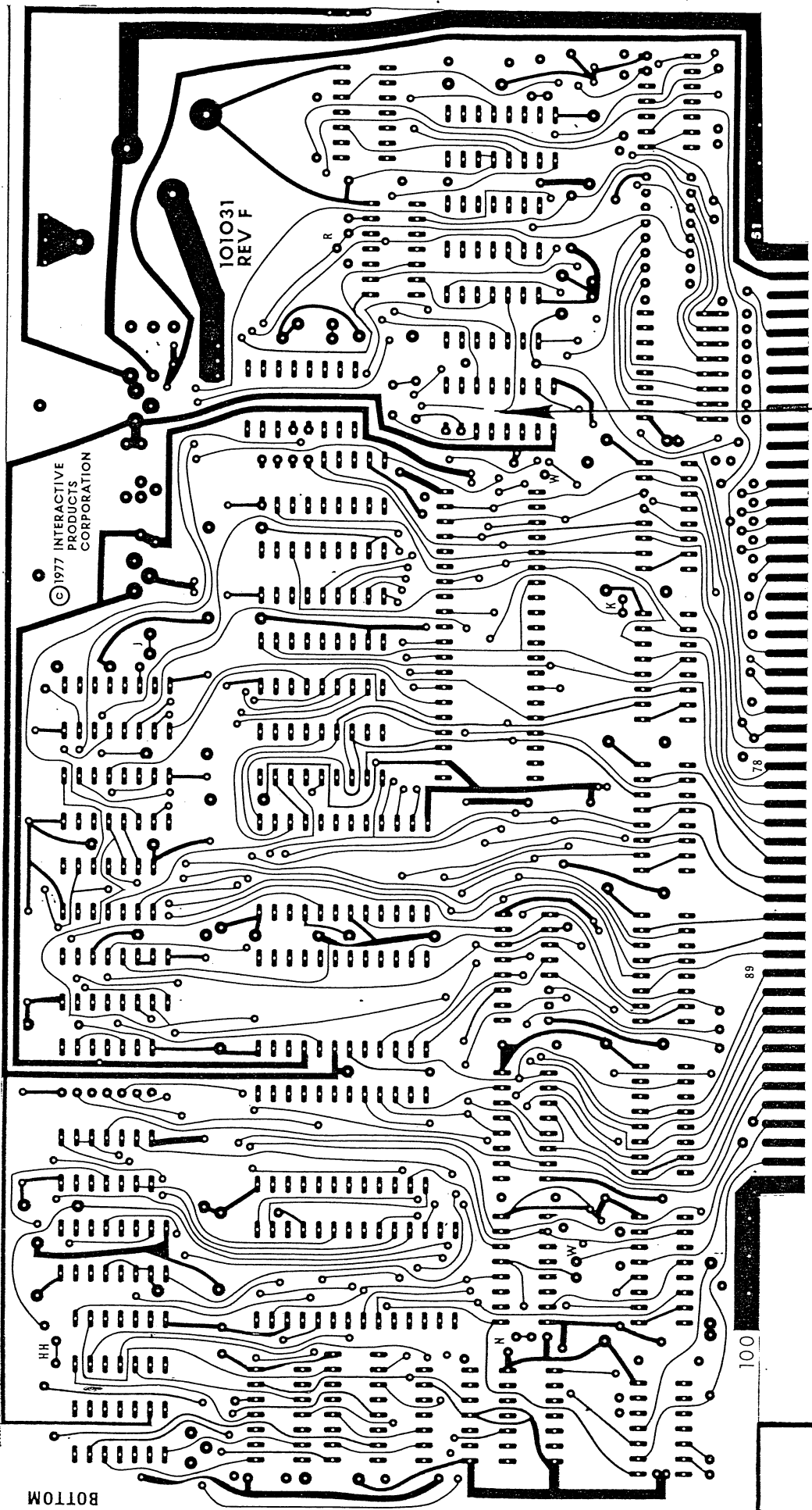
PAGE 2 OF



NUMBER:

130527

PAGE 3 OF



© 1977 INTERACTIVE PRODUCTS CORPORATION

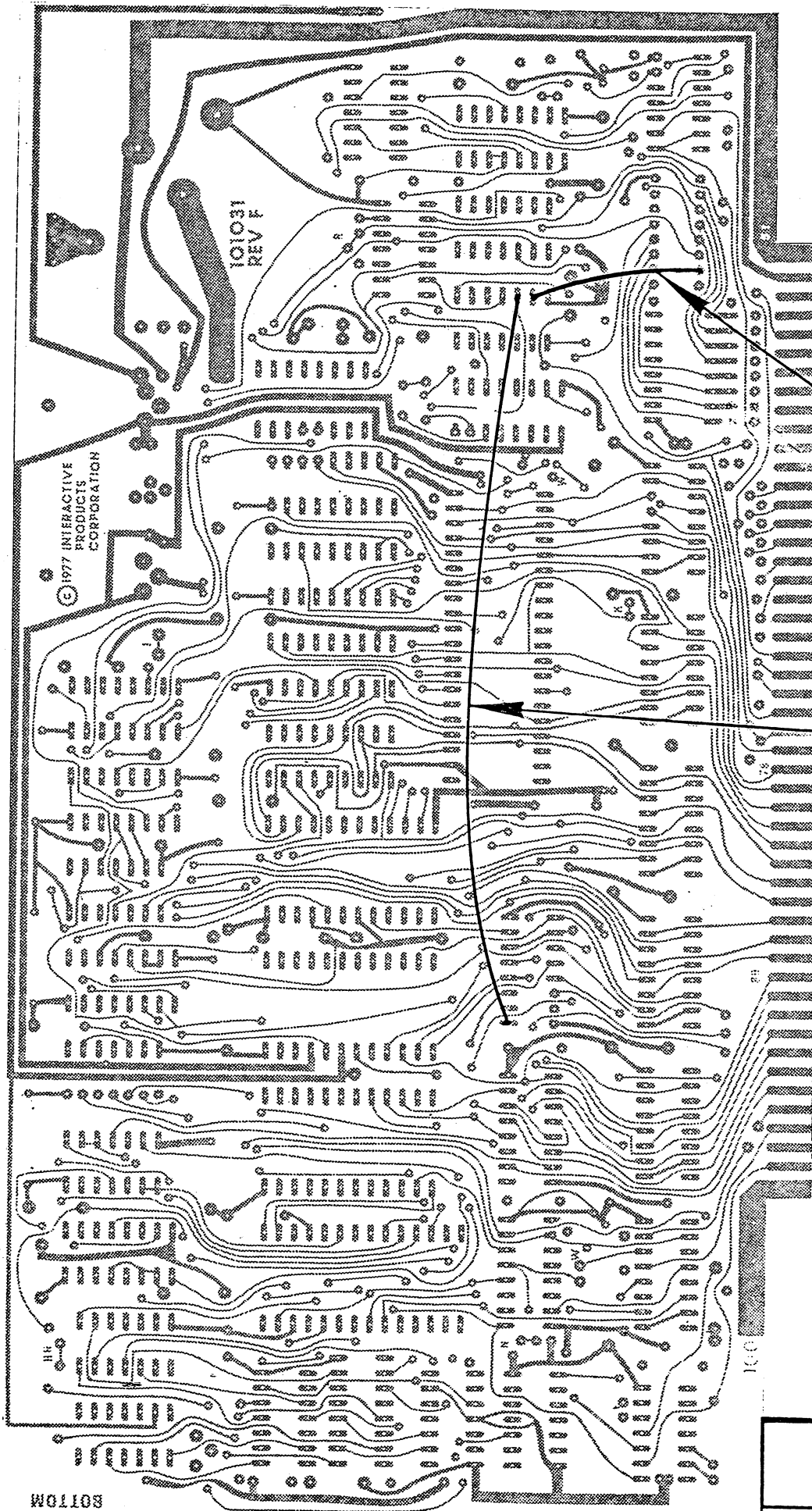
101031 REV F

2

W01108
BOTTOM

NUMBER:
130527

PAGE 4 OF 6



© 1977 INTERACTIVE PRODUCTS CORPORATION

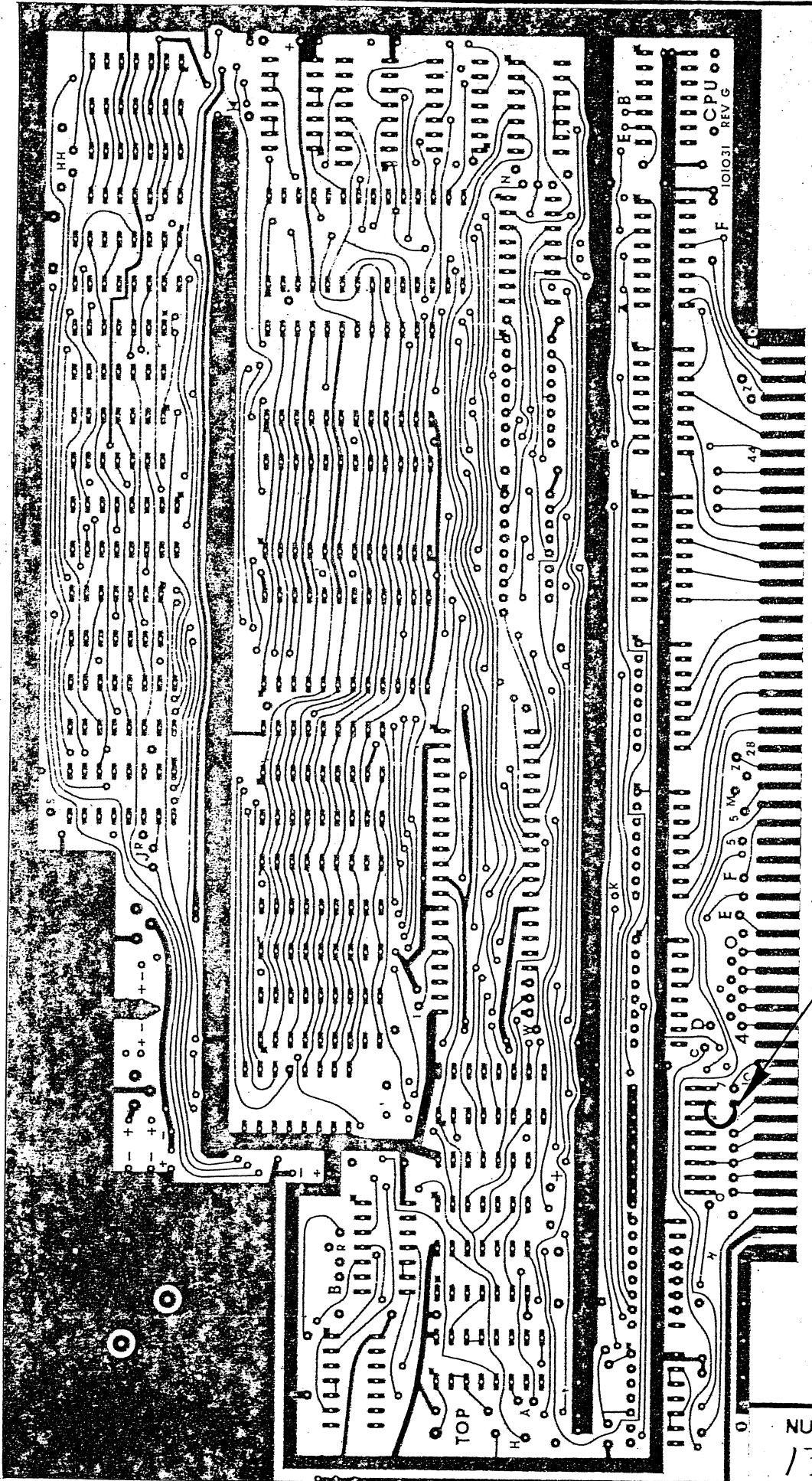
101031 REV F

BOTTOM

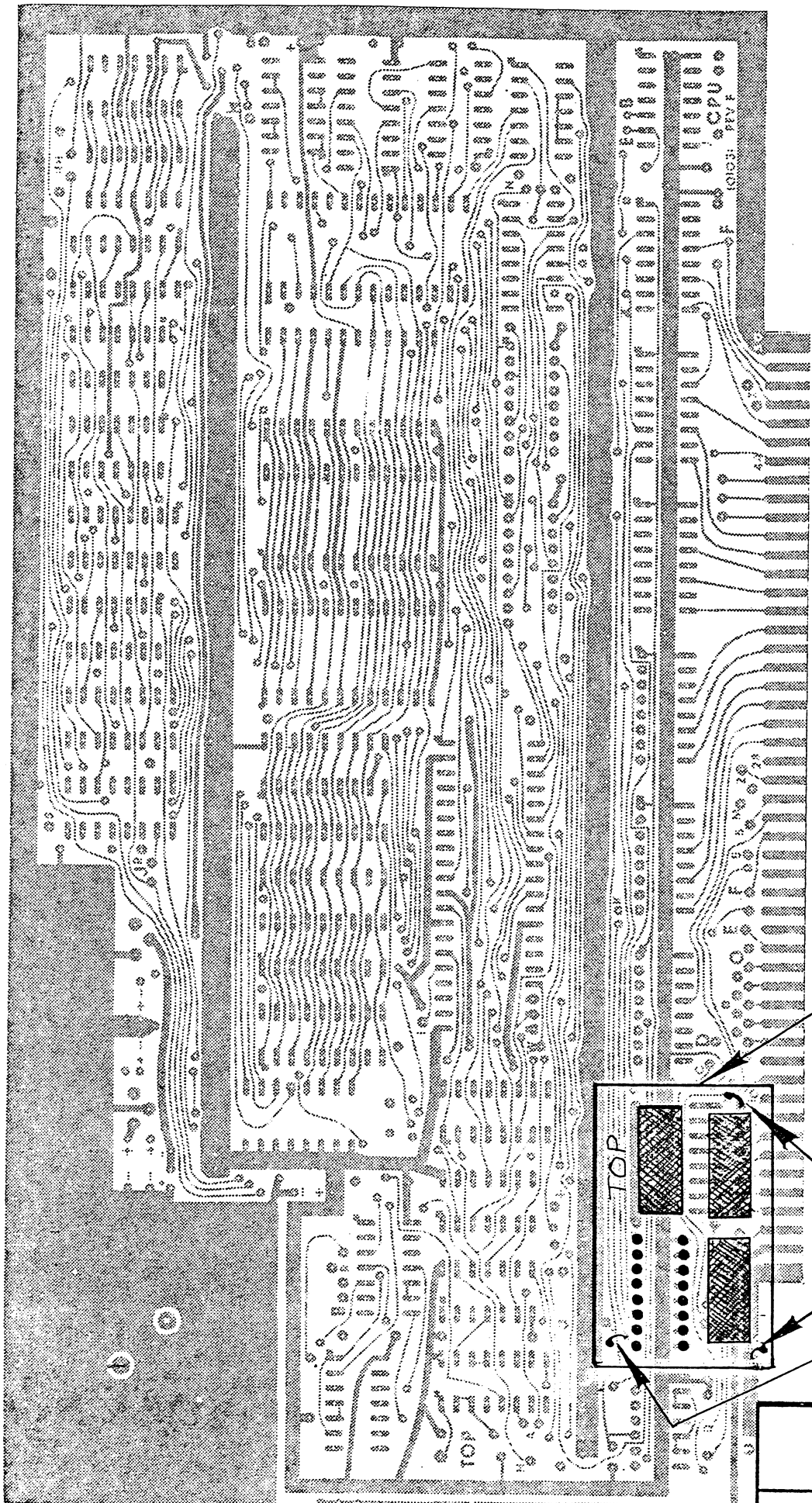
4

3

NUMBER:
130527
PAGE 5 OF



NUMBER:
130527



NUMBER:
130527
PAGE 7 OF