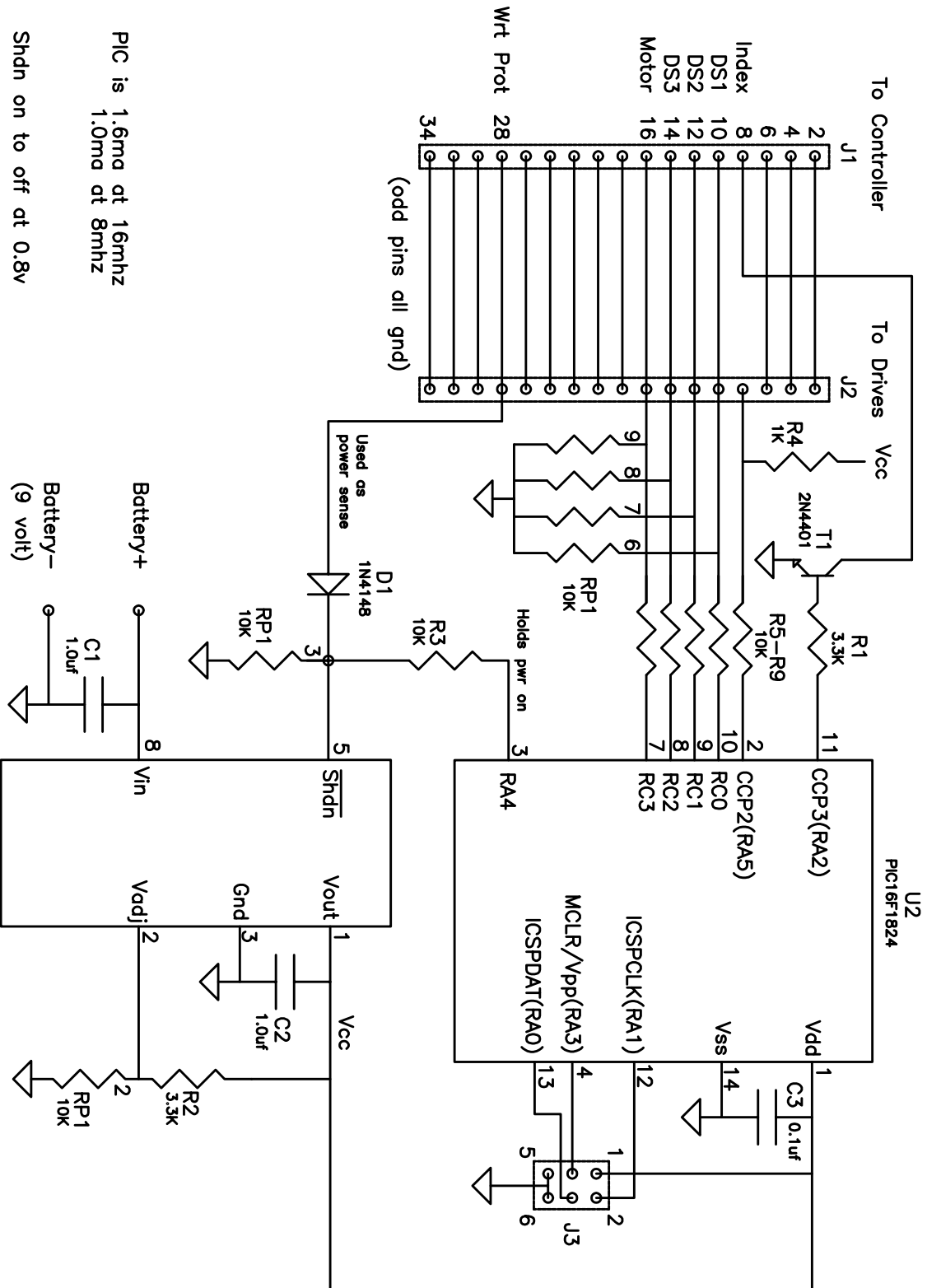


REVISIONS				
ZONE	REV	DESCRIPTION	DATE	APPROVED



**FarmTek**  
 FarmTek, Inc.  
 1000-D Hwy 78 N.  
 Wylie, TX 75098  
 (972) 429-0947

**Virtual Sector Generator**

Part Number: PC006 (PCB)  
 PCB Revision: A  
 Scale: A  
 Date: 8/13/15  
 Sheet: 1 of 1