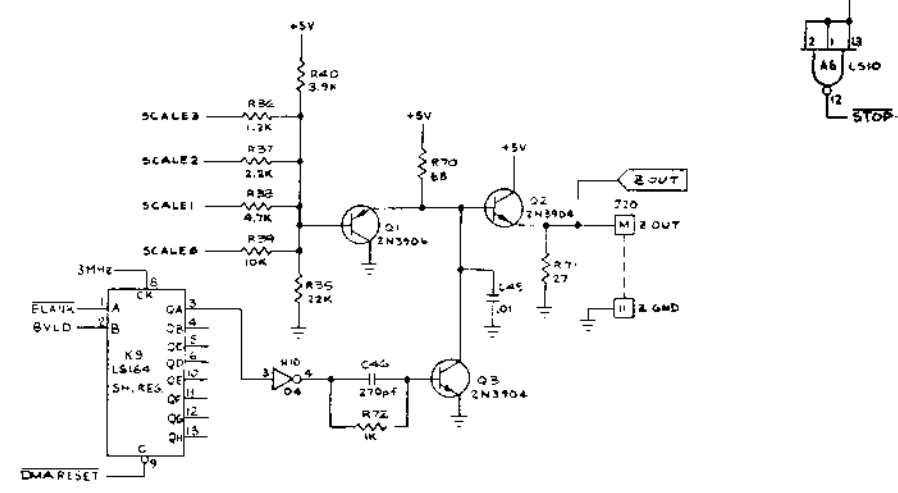
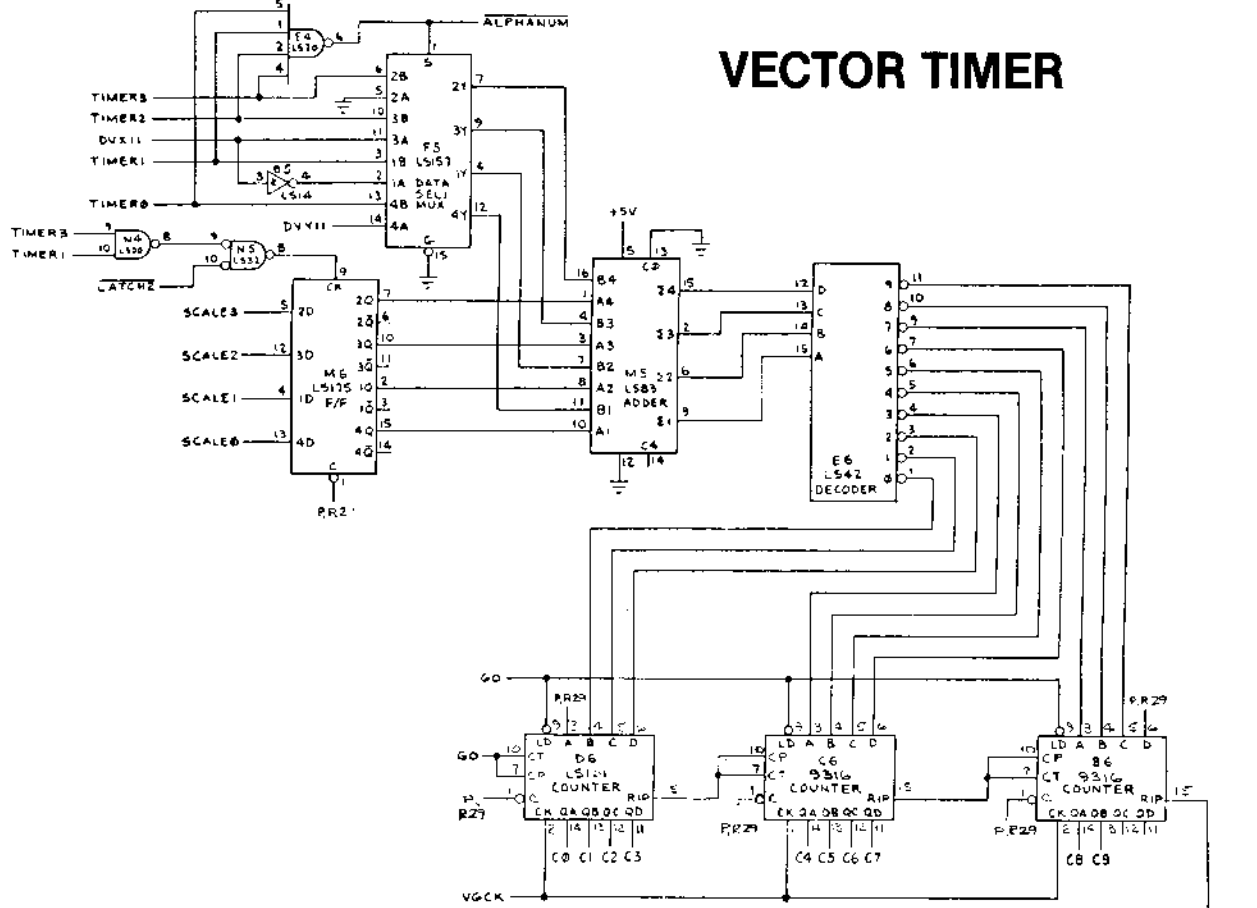
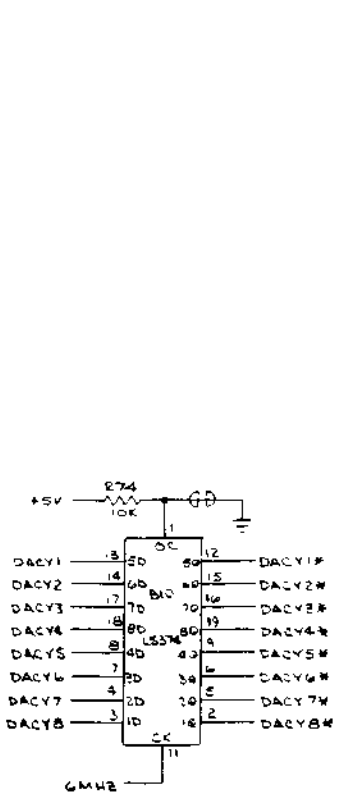
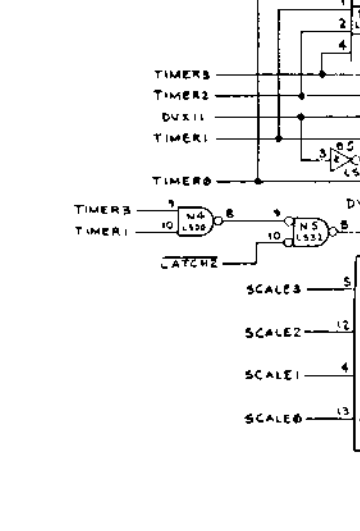
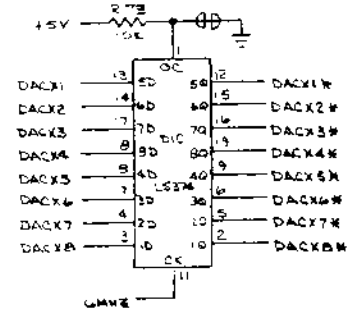
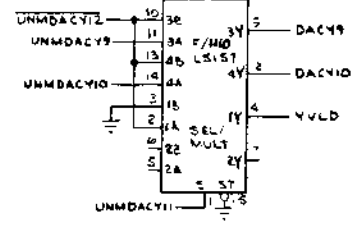
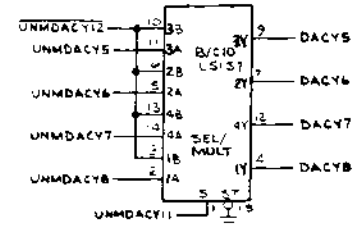
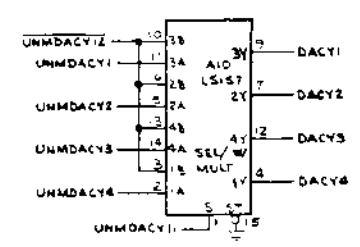
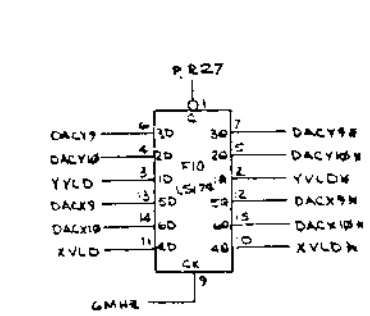
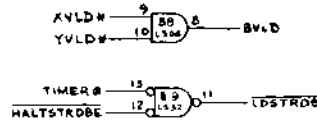
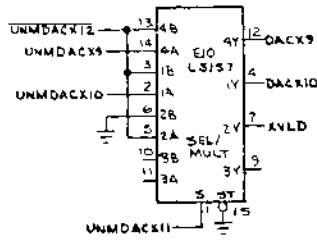
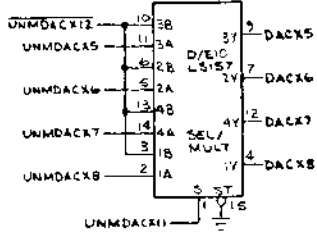
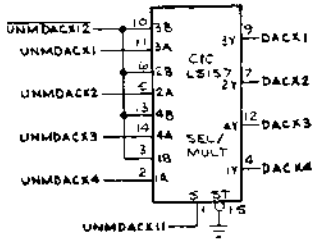
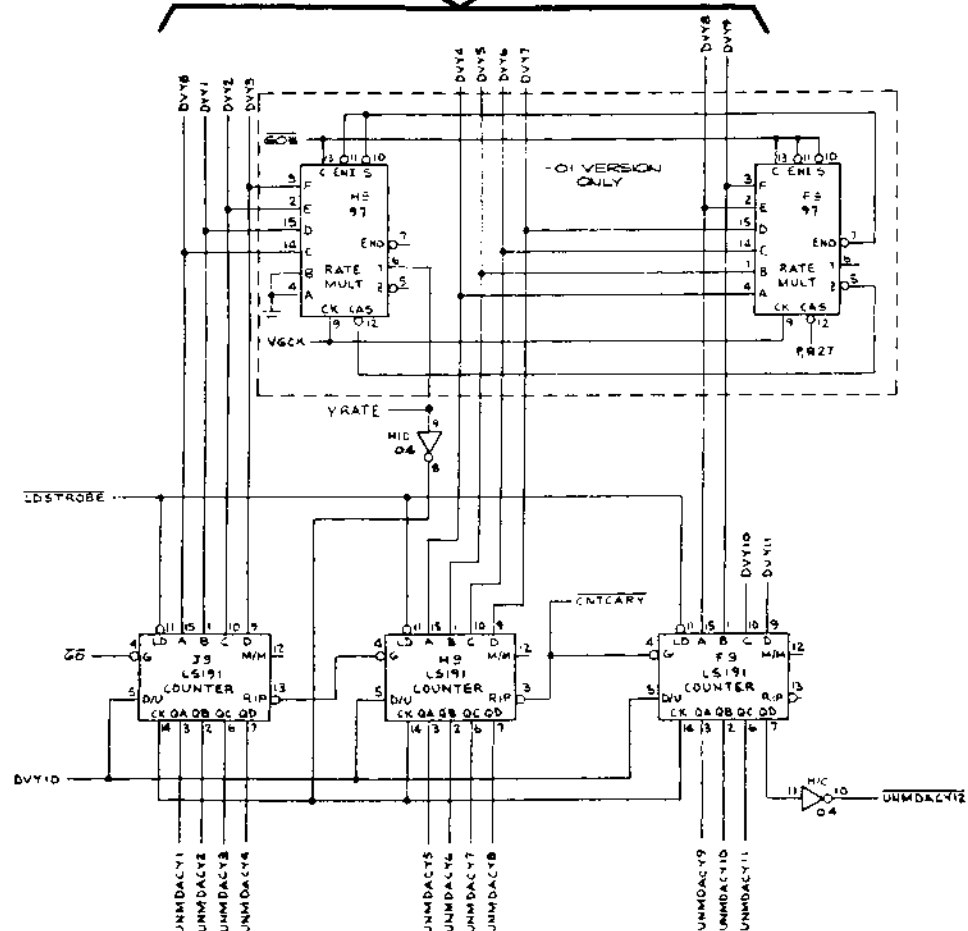
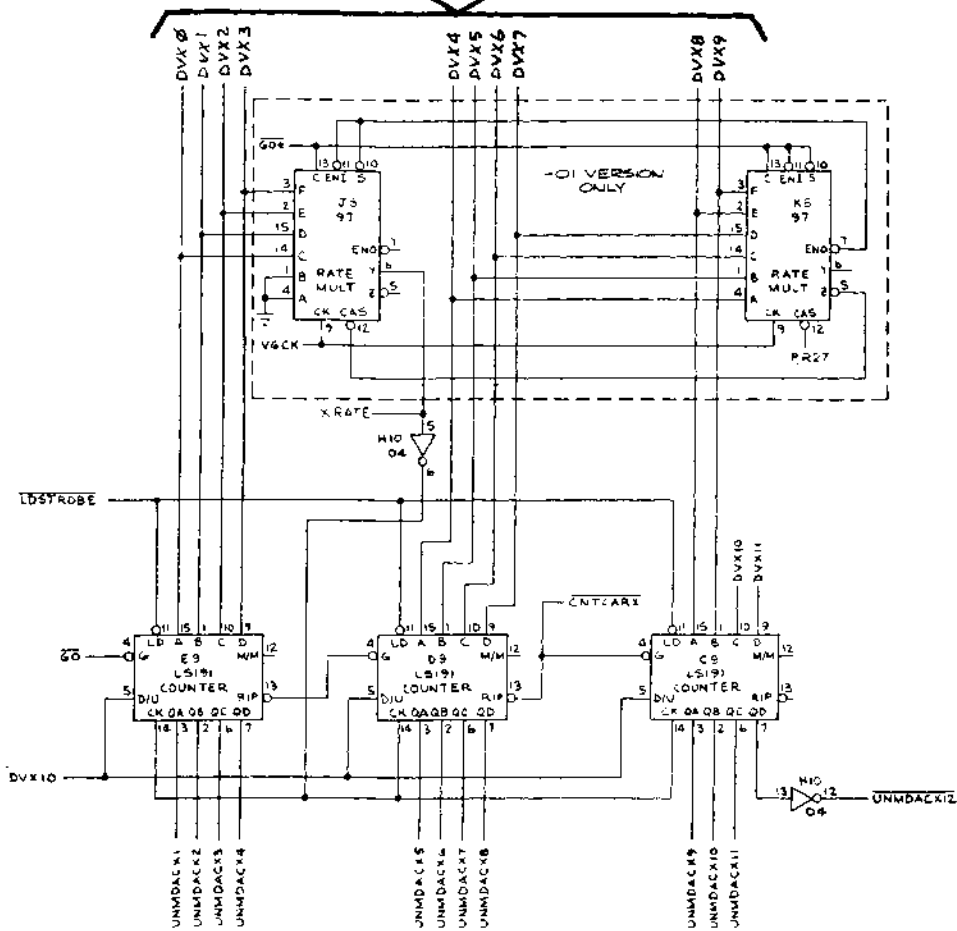
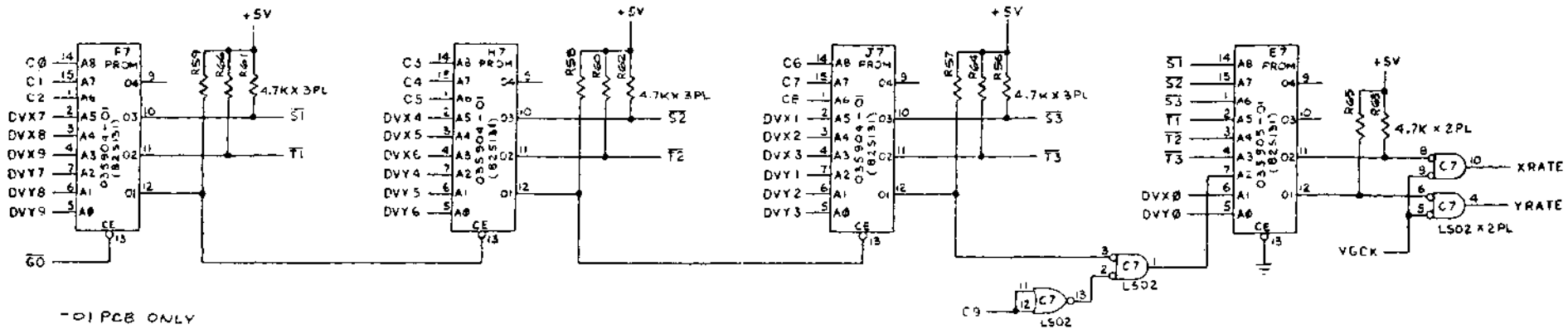
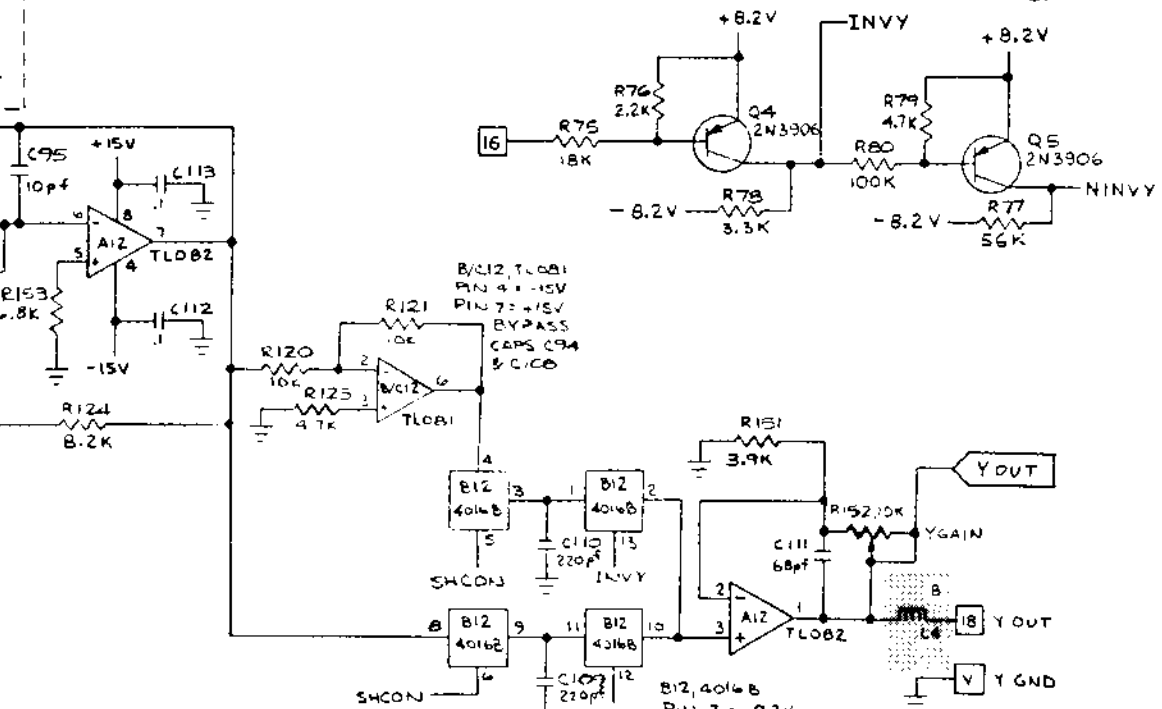
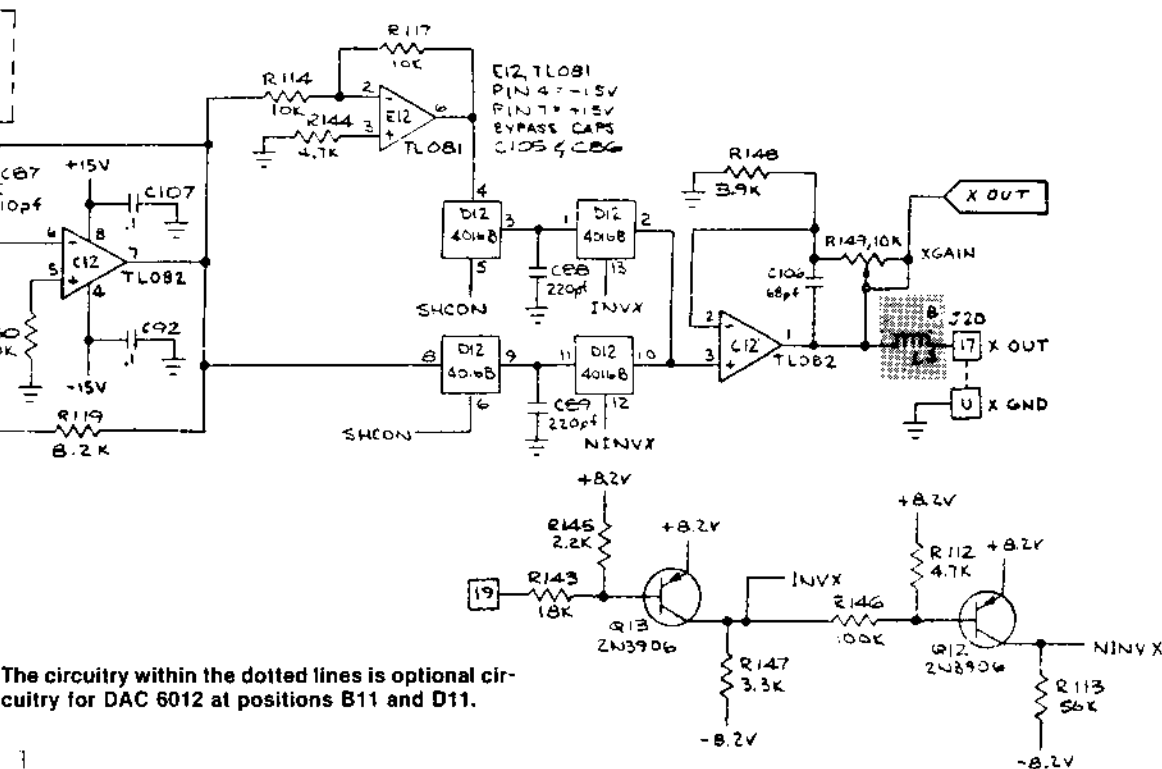
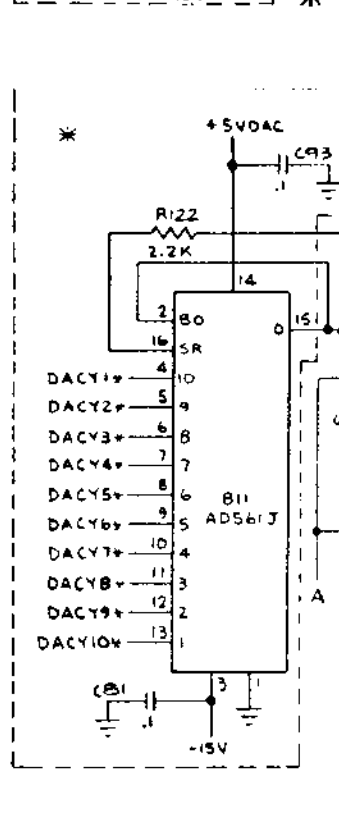
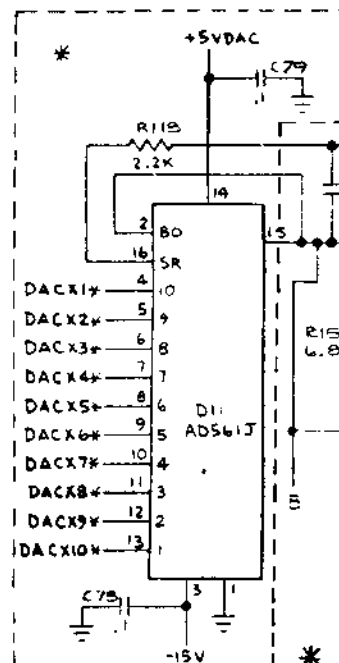
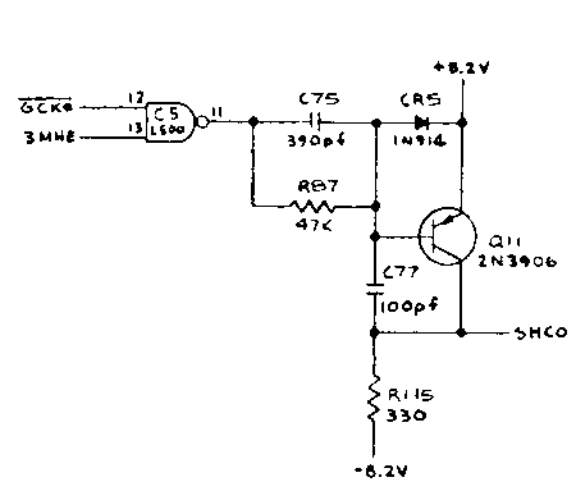
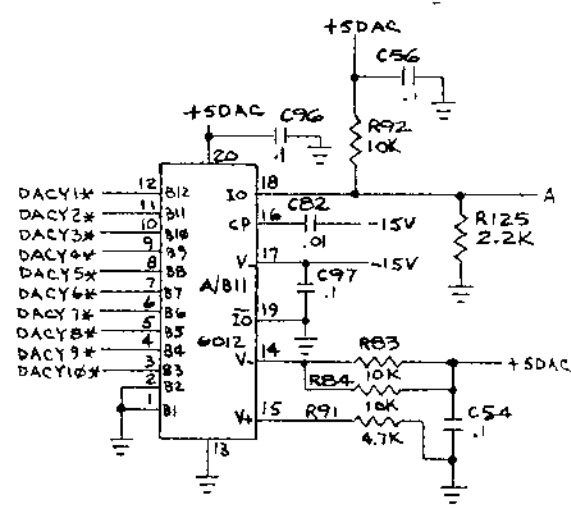
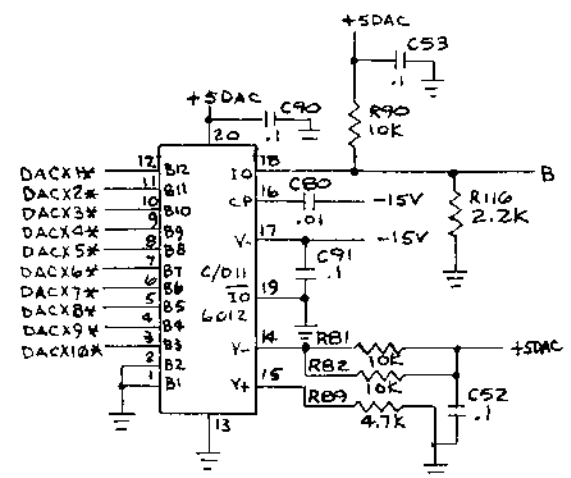


VECTOR TIMER

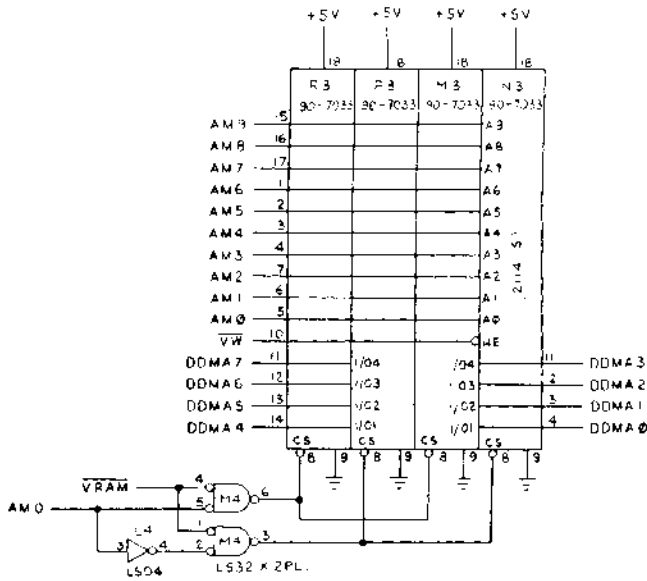




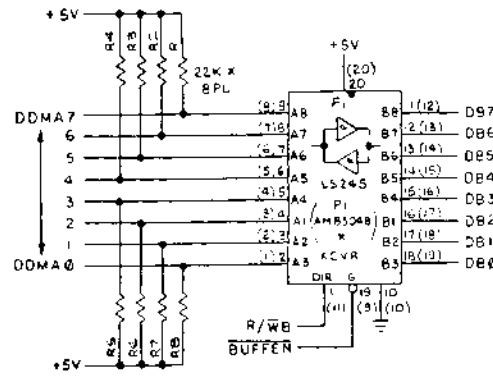


The circuitry within the dotted lines is optional circuitry for DAC 6012 at positions B11 and D11.

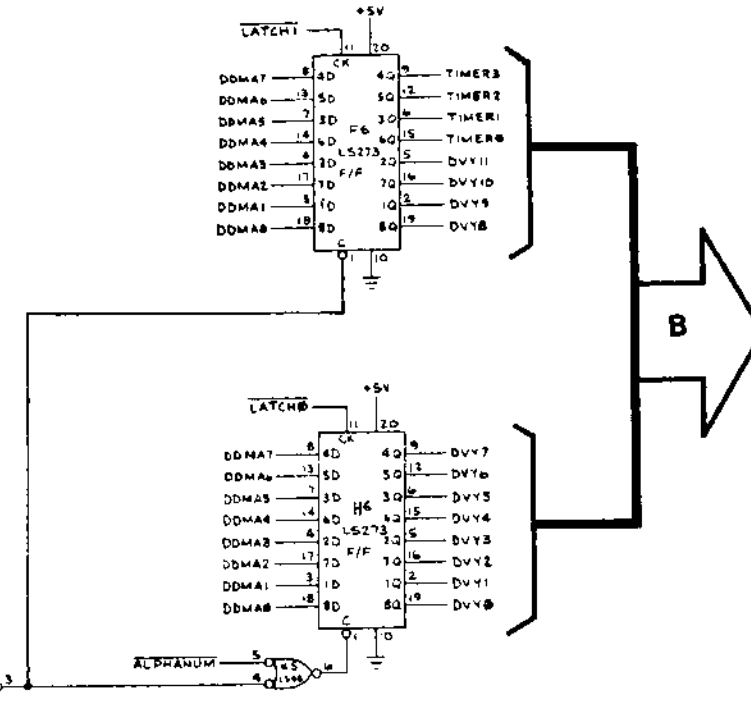
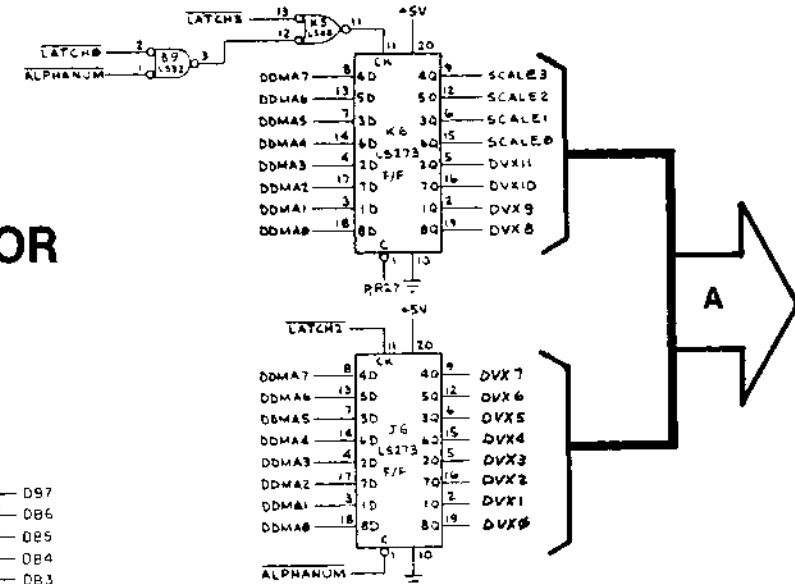
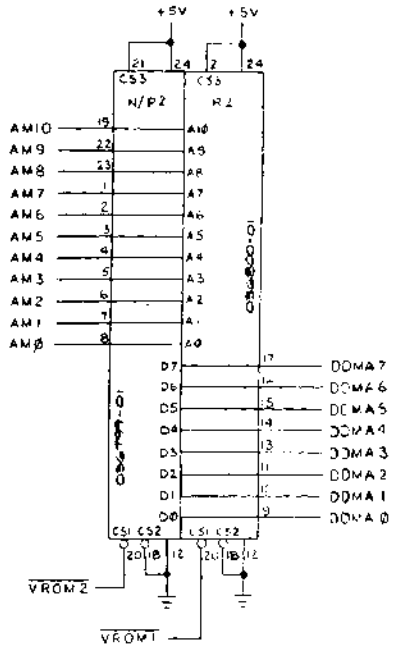
VECTOR GENERATOR RAM



VECTOR GENERATOR DATA BUFFER

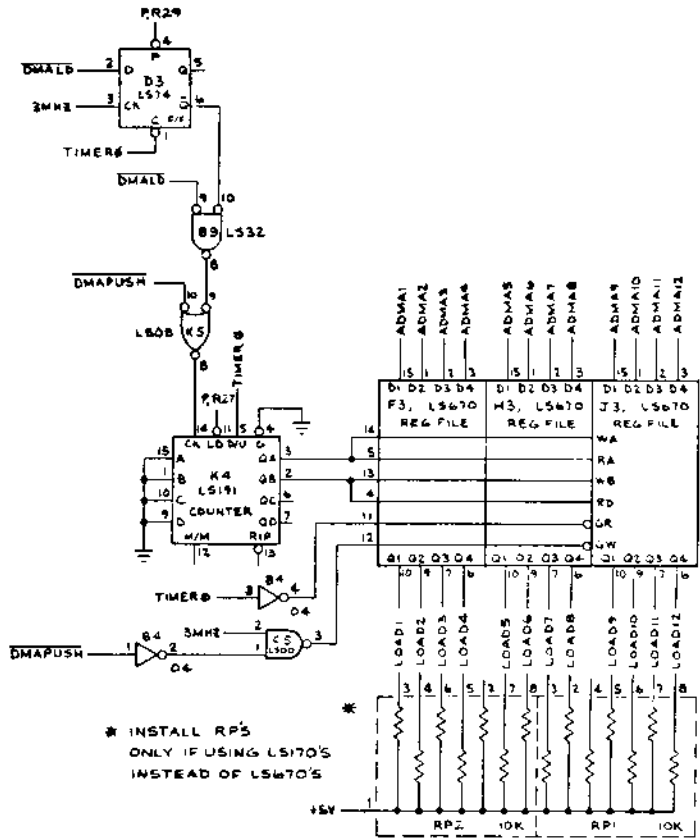


VECTOR GENERATOR ROM

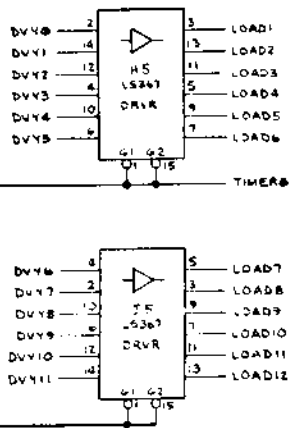
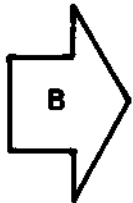


VECTOR GENERATOR MEMORY DATA LATCHES

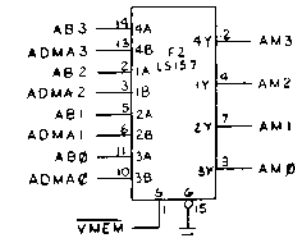
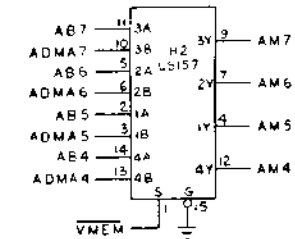
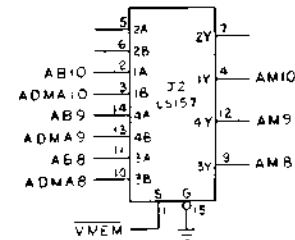
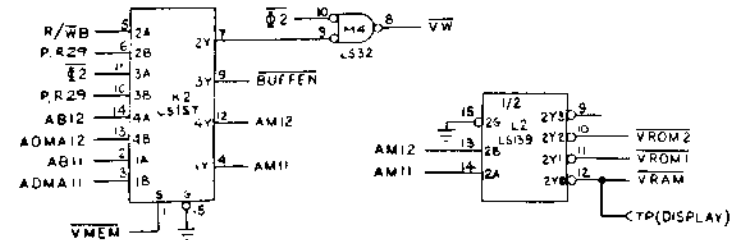
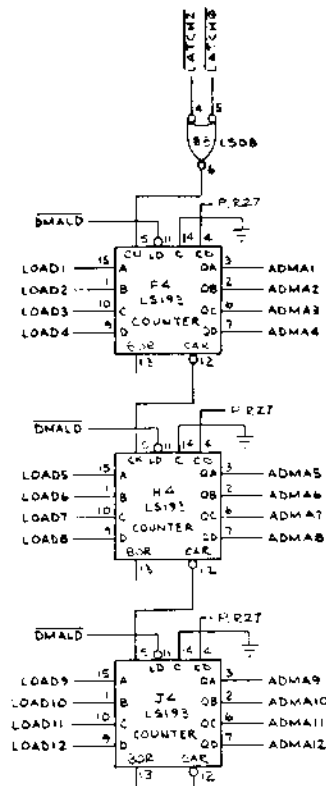
PROGRAM COUNTER



* INSTALL RP'S ONLY IF USING LS170'S INSTEAD OF LS670'S



TIMER 6



**VECTOR GENERATOR
MEMORY ADDRESS SELECTOR**

STATE MACHINE

