



INTEL CORPORATION, 3065 Bowers Avenue, Santa Clara, California 95051 • (408) 246-7501

Robert C. Smith, 1201 S. Bascom  
BARNHILL & ASSOCIATES, INC.  
2014 RAYBURN DRIVE

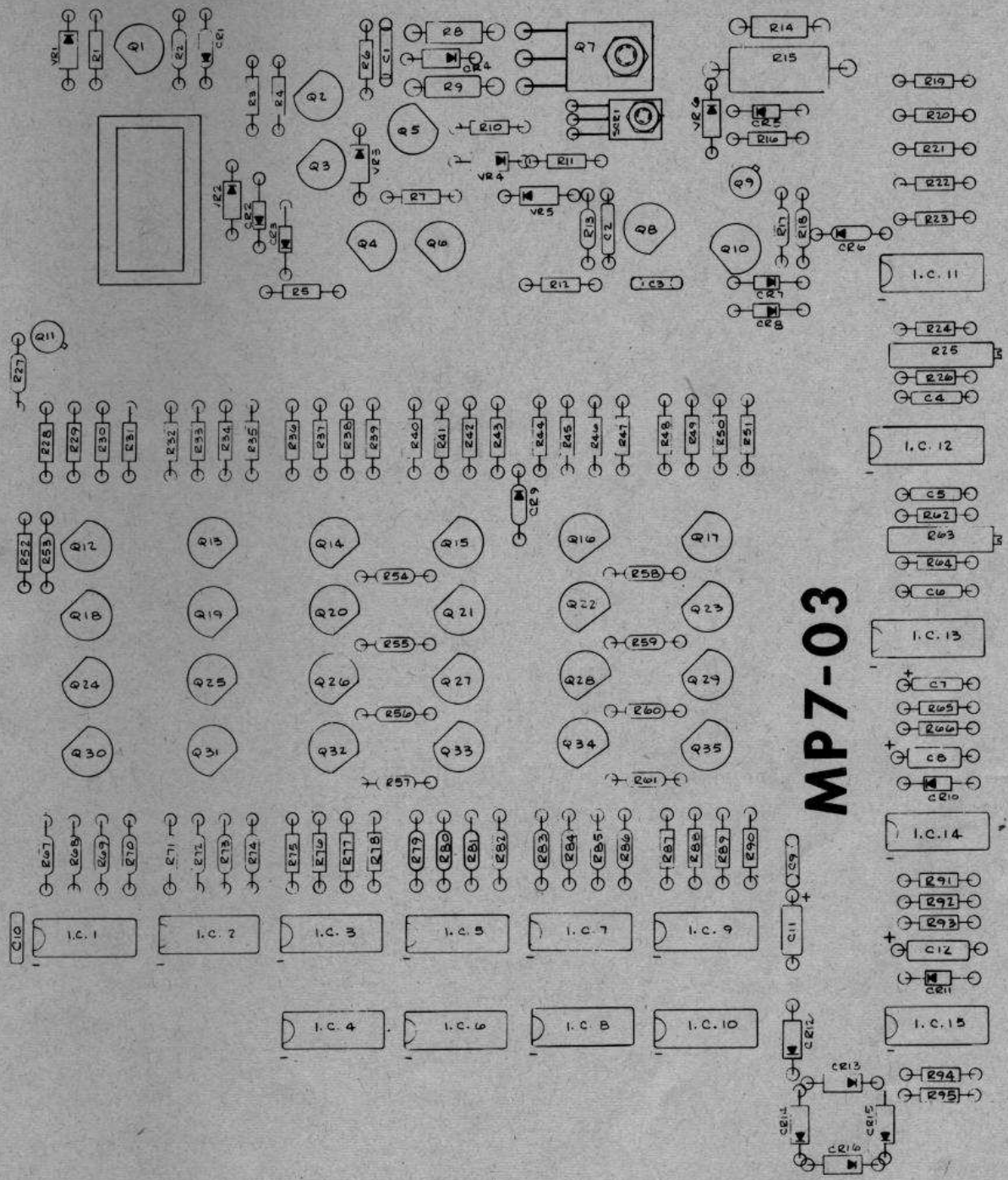
**MCS-4<sup>TM</sup>**  
**MICRO COMPUTER SET**

**USERS MANUAL**

**ANNOUNCING the 4008/4009**  
Standard Memory and I/O Interface Set  
Also includes complete descriptions  
of MCS-4 Assemblers  
and Simulators

FEBRUARY 1973





**MP7-03**

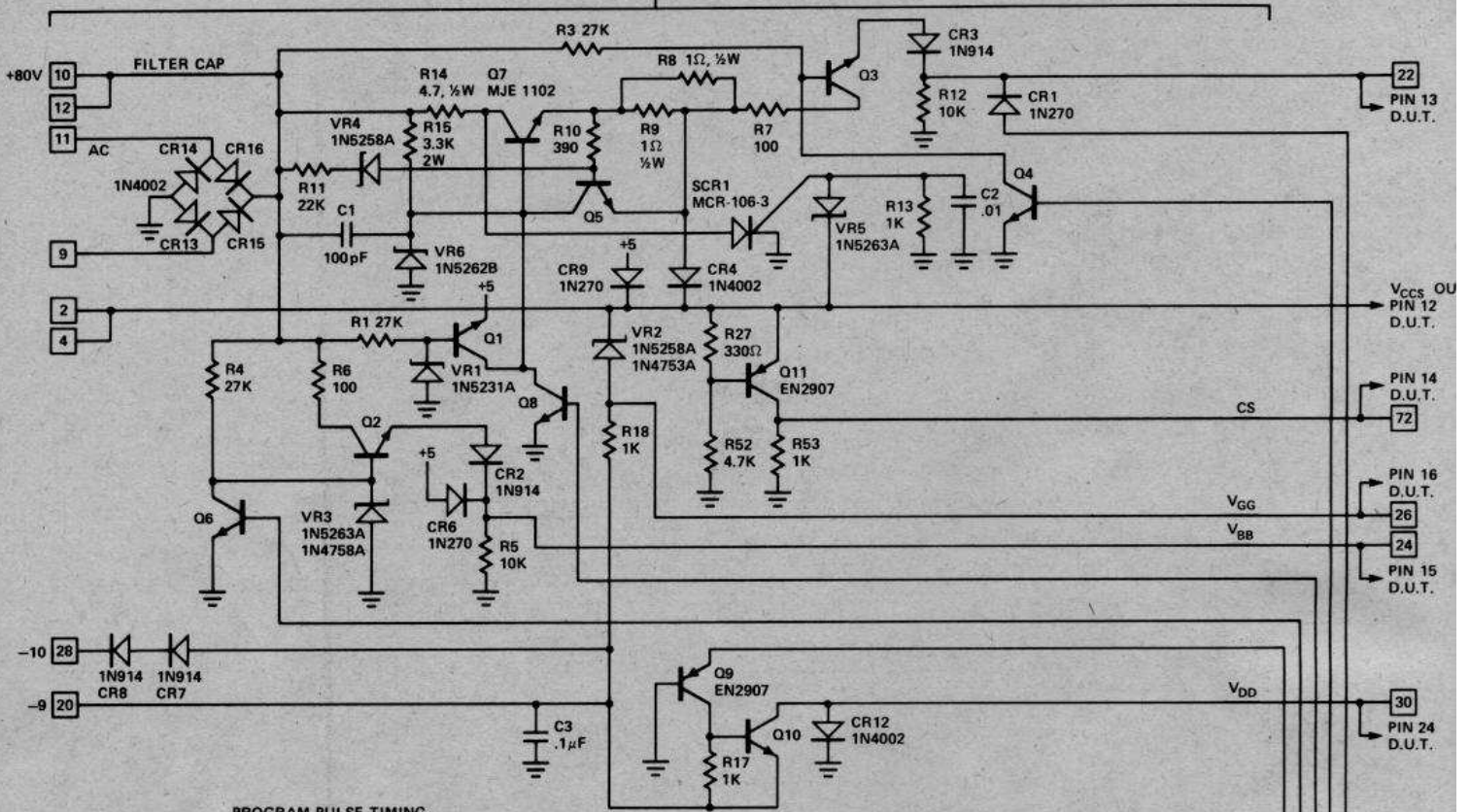
Solder Connector P/N 225-23621-101	R	P	N	M	L	K	J	H	F	E	D	C	B	A	Z	Y	X	W	V	U	T	S	R	P	N	M	L	K	J	H	F	E	D	C	B	A	Amphenol
Wirewrap Connector P/N 261-15636-2	71	69	67	65	63	61	59	57	55	53	51	49	47	45	43	41	39	37	35	33	31	29	27	25	23	21	19	17	15	13	11	9	7	5	3	1	
Wirewrap Connector P/N VPB01E36E00A1	72	70	68	66	64	62	60	58	56	54	52	50	48	46	44	42	40	38	36	34	32	30	28	26	24	22	20	18	16	14	12	10	8	6	4	2	CDC

**Component Side of MP7-03 Card**

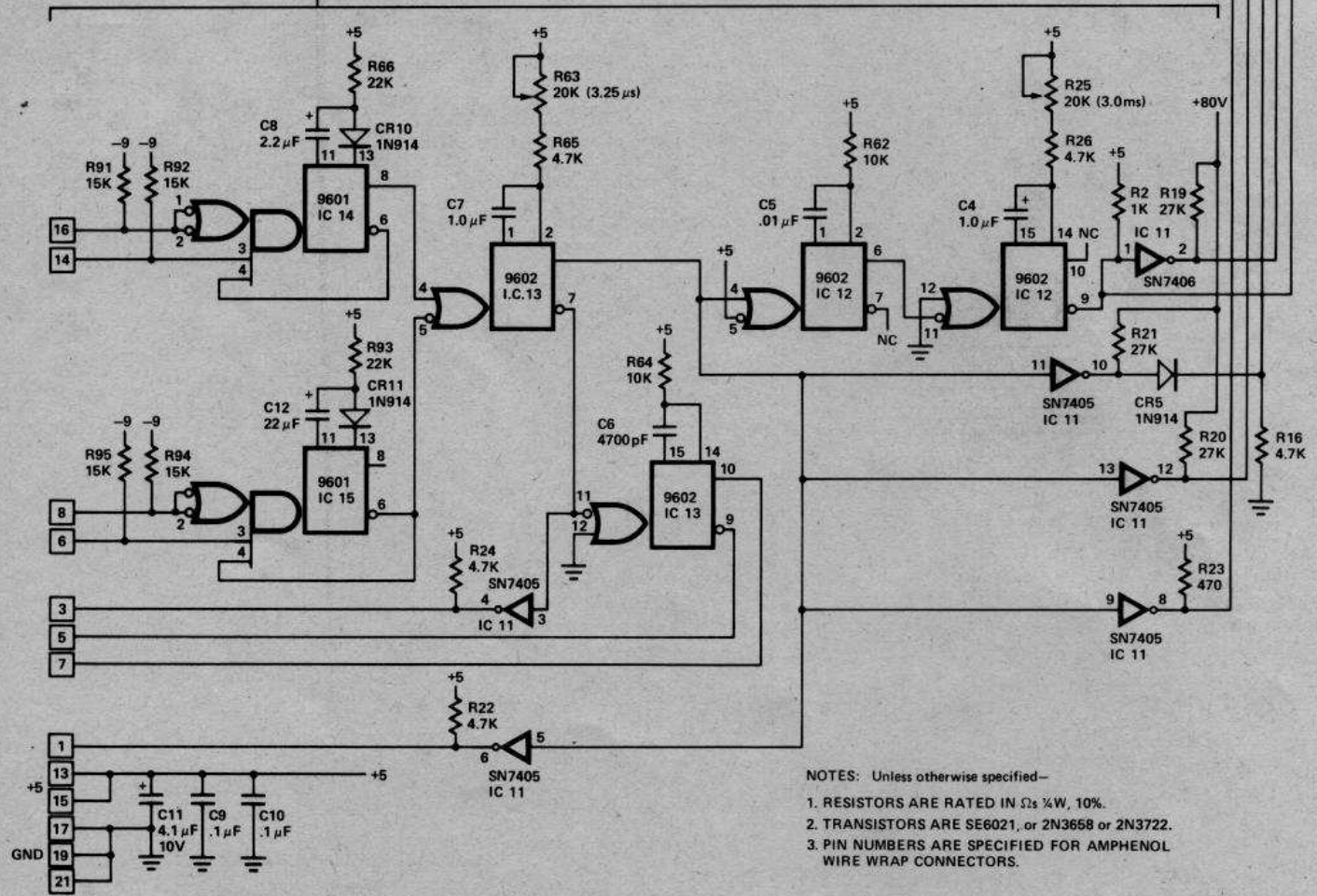
Solder Connector P/N 225-23621-101	1	2	3	4	5	6	7	8	9	10	11	12	13	14	15	16	17	18	19	20	21	22	23	24	25	26	27	28	29	30	31	32	33	34	35	36	Amphenol
Wirewrap Connector P/N 261-15636-2	2	4	6	8	10	12	14	16	18	20	22	24	26	28	30	32	34	36	38	40	42	44	46	48	50	52	54	56	58	60	62	64	66	68	70	72	
Wirewrap Connector P/N VPB01E36E00A1	1	3	5	7	9	11	13	15	17	19	21	23	25	27	29	31	33	35	37	39	41	43	45	47	49	51	53	55	57	59	61	63	65	67	69	71	CDC

**Pin Definition – Reverse Side of MP7-03 Card**

POWER SUPPLY REGULATOR



PROGRAM PULSE TIMING



- NOTES: Unless otherwise specified—
1. RESISTORS ARE RATED IN  $\Omega$ s  $\frac{1}{4}$ W, 10%.
  2. TRANSISTORS ARE SE6021, or 2N3658 or 2N3722.
  3. PIN NUMBERS ARE SPECIFIED FOR AMPHENOL WIRE WRAP CONNECTORS.



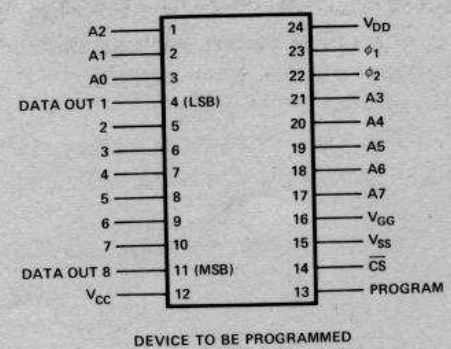
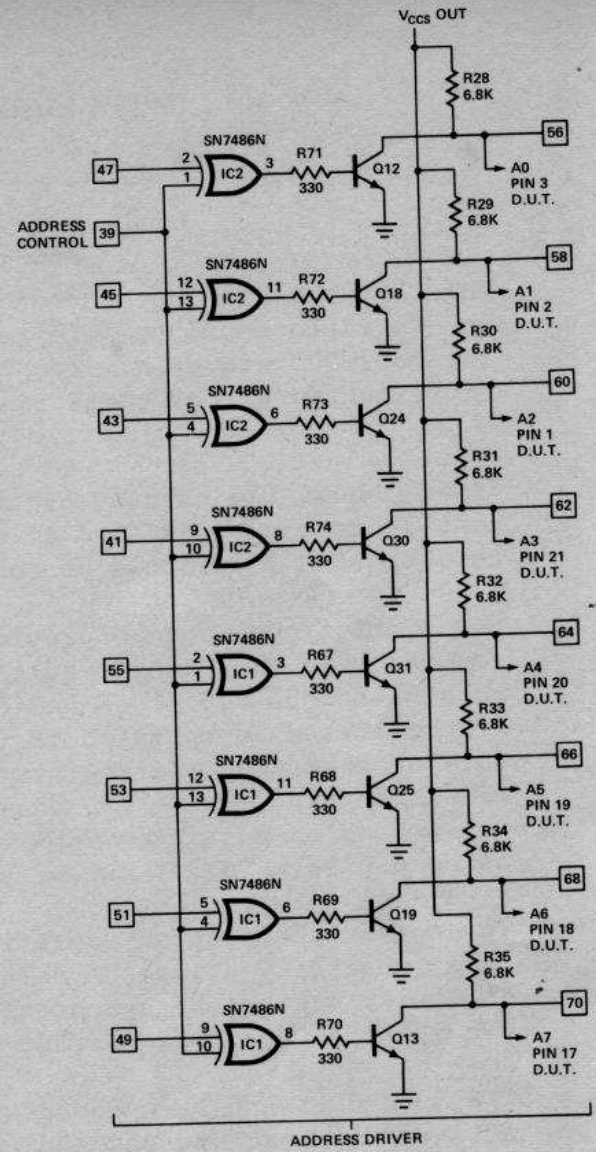
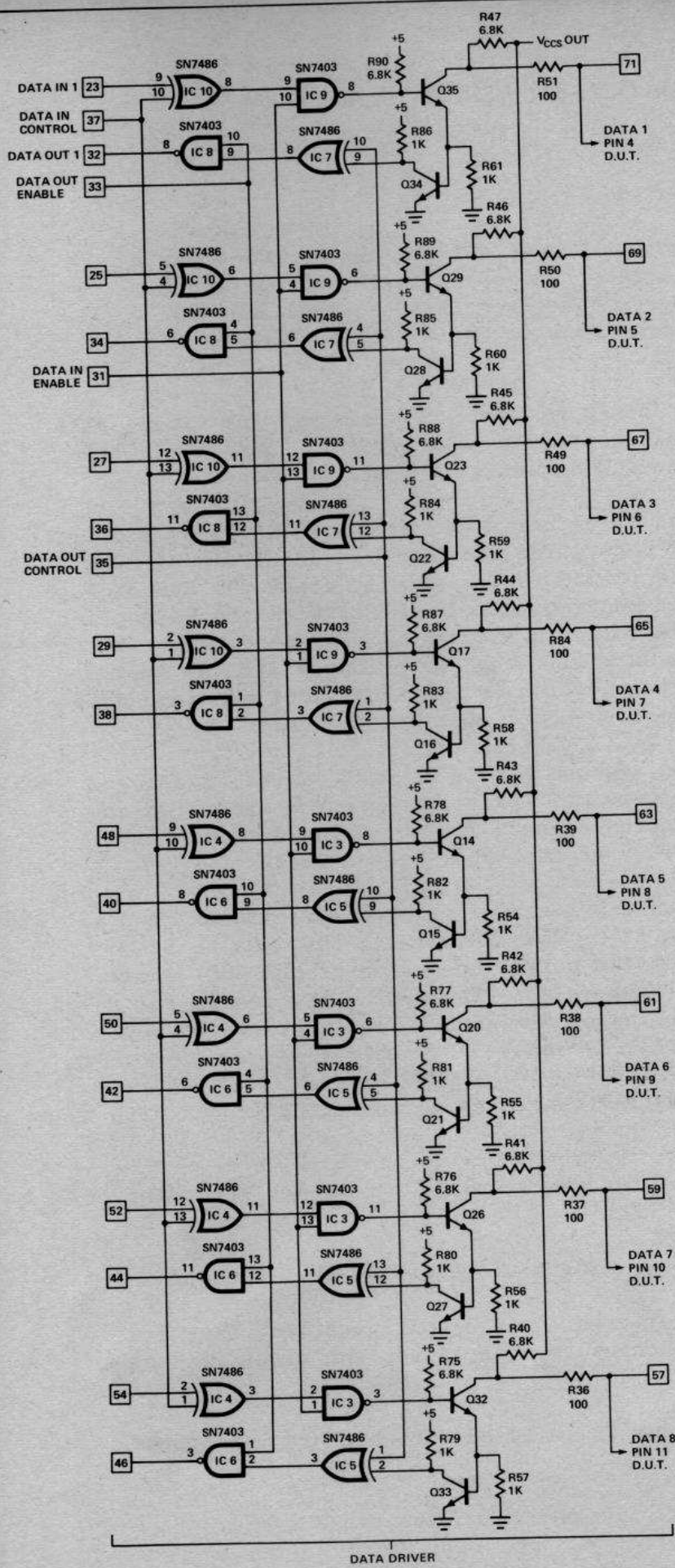


Figure 32. MP7-03 PROM Programmer Board Schematic