

## 27C16

### 16,384-Bit (2048 x 8) UV Erasable CMOS PROM

#### Military Qualified

#### General Description

The 27C16 is a high speed 16K UV erasable and electrically reprogrammable CMOS EPROM, ideally suited for applications where fast turnaround, pattern experimentation and low power consumption are important requirements.

The 27C16 is packaged in a 24-pin dual-in-line package with transparent lid. The transparent lid allows the user to expose the chip to ultraviolet light to erase the bit pattern. A new pattern can then be written into the device by following the programming procedure.

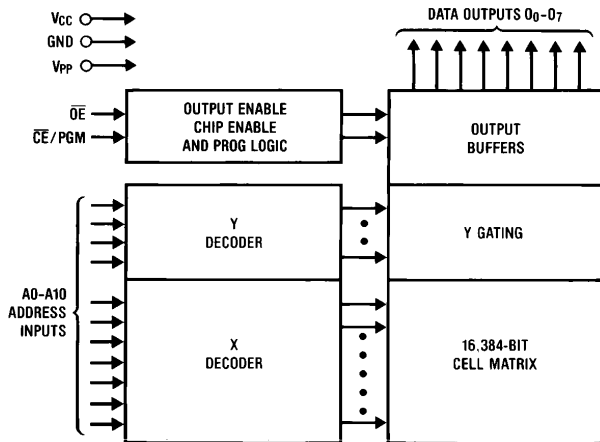
This EPROM is fabricated with the reliable, high volume, time proven, P<sup>2</sup>CMOS™ silicon gate technology.

The 27C16 specified on this data sheet is fully compliant with MIL-STD-883, Revision C.

#### Features

- Access time down to 450 ns
- Low CMOS power consumption
  - Active Power: 26.25 mW max
  - Standby Power: 0.53 mW max (98% savings)
- Performance compatible to NSC800™ CMOS micro-processor
- Single 5V power supply
- Pin compatible to MM2716 and higher density EPROMs
- Static—no clocks required
- TTL compatible inputs/outputs
- TRI-STATE® output
- Windowed DIP Package
- Specifications guaranteed over full military temperature range (–55°C to +125°C)

#### Block Diagram



TL/D/10329-1

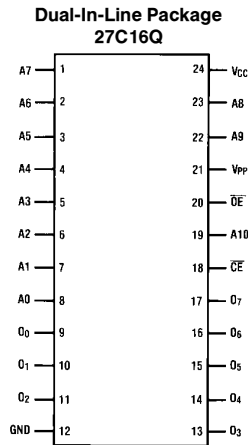
**Pin Names**

A0–A10	Addresses
$\overline{CE}$	Chip Enable
$\overline{OE}$	Output Enable
O <sub>0</sub> –O <sub>7</sub>	Outputs
$\overline{PGM}$	Program
NC	No Connect

TRI-STATE® is a registered trademark of National Semiconductor Corporation.  
NS800™ are P<sup>2</sup>CMOS™ trademarks of National Semiconductor Corporation.

## Connection Diagram

27C256 27256	27C128 27128	27C64 2764	27C32 2732
V <sub>PP</sub>	V <sub>PP</sub>	V <sub>PP</sub>	
A12	A12	A12	
A7	A7	A7	A7
A6	A6	A6	A6
A5	A5	A5	A5
A4	A4	A4	A4
A3	A3	A3	A3
A2	A2	A2	A2
A1	A1	A1	A1
A0	A0	A0	A0
O <sub>0</sub>	O <sub>0</sub>	O <sub>0</sub>	O <sub>0</sub>
O <sub>1</sub>	O <sub>1</sub>	O <sub>1</sub>	O <sub>1</sub>
O <sub>2</sub>	O <sub>2</sub>	O <sub>2</sub>	O <sub>2</sub>
GND	GND	GND	GND



TL/D/10329-2

### Top View

**Note:** Socket compatible EPROM pin configurations are shown in the blocks adjacent to the 27C16 pins.

**Military Temp Range (-55°C to +125°C) V<sub>CC</sub> = 5V ± 10%**

Parameter/Order Number	Access Time (ns)
27C16Q450/883	450
27C16Q550/883	550

27C32 2732	27C64 2764	27C128 27128	27256
	V <sub>CC</sub>	V <sub>CC</sub>	V <sub>CC</sub>
	PGM	PGM	A14
V <sub>CC</sub>	NC	A13	A13
A8	A8	A8	A8
A9	A9	A9	A9
A11	A11	A11	A11
$\overline{OE}/V_{PP}$	$\overline{OE}$	$\overline{OE}$	$\overline{OE}$
A10	A10	A10	A10
$\overline{CE}$	$\overline{CE}$	$\overline{CE}$	$\overline{CE}$
O <sub>7</sub>	O <sub>7</sub>	O <sub>7</sub>	O <sub>7</sub>
O <sub>6</sub>	O <sub>6</sub>	O <sub>6</sub>	O <sub>6</sub>
O <sub>5</sub>	O <sub>5</sub>	O <sub>5</sub>	O <sub>5</sub>
O <sub>4</sub>	O <sub>4</sub>	O <sub>4</sub>	O <sub>4</sub>
O <sub>3</sub>	O <sub>3</sub>	O <sub>3</sub>	O <sub>3</sub>

### Absolute Maximum Ratings (Note 1)

Temperature Under Bias	-55°C to +125°C
Storage Temperature	-65°C to +125°C
All Input Voltages with Respect to Ground	+6.5V to -0.3V
All Output Voltages with Respect to Ground (Note 11)	$V_{CC} + 0.3V$ to GND -0.3V
$V_{PP}$ Supply Voltage with Respect to Ground during Programming	+26.5V to -0.3V
Power Dissipation	1.0W
Lead Temperature (Soldering, 10 Seconds)	300°C

### Operating Conditions (Note 9)

Temperature Range ( $T_{case}$ )	-55°C to +125°C
$V_{CC}$ Power Supply (Notes 2 and 3)	5V + 10%
$V_{PP}$ Power Supply (Note 3)	$V_{CC}$

## READ OPERATION

### DC Electrical Characteristics

Symbol	Parameter	Conditions	Min	Typ (Note 4)	Max	Units
$I_{LI}$	Input Load Current	$V_{IN} = V_{CC}$ or $V_{IL}$			10	$\mu A$
$I_{LO}$	Output Leakage Current	$V_{OUT} = V_{CC}$ or $V_{IL}$ , $\overline{CE} = V_{IH}$			10	$\mu A$
$I_{CC1}$ (Note 3)	$V_{CC}$ Current (Active) TTL Inputs	$\overline{OE} = \overline{CE} = V_{IL}$ , $f = 1$ MHz Inputs = $V_{IH}$ or $V_{IL}$ , I/O = 0 mA		2	30	mA
$I_{CC2}$ (Note 3)	$V_{CC}$ Current (Active) CMOS Inputs	$\overline{OE} = \overline{CE} = V_{IL}$ , $f = 1$ MHz Inputs = $V_{CC}$ or GND, I/O = 0 mA		1	25	mA
$I_{CCSB1}$	$V_{CC}$ Current (Standby) TTL Inputs	$\overline{CE} = V_{IH}$		0.1	1	mA
$I_{CCSB2}$	$V_{CC}$ Current (Standby) CMOS Inputs	$\overline{CE} = V_{CC}$		0.01	0.1	mA
$V_{IL}$	Input Low Voltage		-0.1		0.8	V
$V_{IH}$	Input High Voltage		2.2		$V_{CC} + 1$	V
$V_{OL1}$	Output Low Voltage	$I_{OL} = 2.1$ mA			0.45	V
$V_{OH1}$	Output High Voltage	$I_{OH} = -400$ $\mu A$	2.4			V
$V_{OL2}$	Output Low Voltage	$I_{OL} = 0$ $\mu A$			0.1	V
$V_{OH2}$	Output High Voltage	$I_{OH} = 0$ $\mu A$	4.4			V

### AC Electrical Characteristics

Symbol	Parameter	Conditions	27C16				Units
			450		550		
			Min	Max	Min	Max	
$t_{ACC}$	Address to Output Delay	$\overline{CE} = \overline{OE} = V_{IL}$		450		550	ns
$t_{CE}$	$\overline{CE}$ to Output Delay	$\overline{OE} = V_{IL}$		450		550	ns
$t_{OE}$	$\overline{OE}$ to Output Delay	$\overline{CE} = V_{IL}$		120		120	ns
$t_{DF}$	$\overline{OE}$ High to Output Float	$\overline{CE} = V_{IL}$	0	100	0	100	ns
$t_{OH}$ (Note 5)	Output Hold from Addresses, $\overline{CE}$ or $\overline{OE}$ , Whichever Occurred First	$\overline{CE} = \overline{OE} = V_{IL}$	0		0		ns

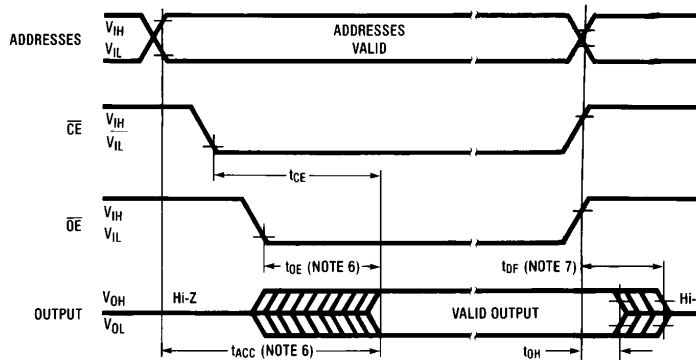
## Capacitance $T_A = +25^\circ\text{C}$ , $f = 1\text{ MHz}$ (Note 5)

Symbol	Parameter	Conditions	Typ	Max	Units
$C_{IN}$	Input Capacitance	$V_{IN} = 0\text{V}$	4	10	pF
$C_{OUT}$	Output Capacitance	$V_{OUT} = 0\text{V}$	8	12	pF

## AC Test Conditions

Output Load	1 TTL Gate and $C_L = 100\text{ pF}$	Timing Measurement Reference Level	
Input Rise and Fall Times	$\leq 20\text{ ns}$	Inputs	1V and 2V
Input Pulse Levels	0.8V to 2.2V	Outputs	0.8V and 2V

## AC Waveforms (Notes 2, 8, 9, 10)



TL/D/10329-3

**Note 1:** Stresses above those listed under "Absolute Maximum Ratings" may cause permanent damage to the device. This is a stress rating only and functional operation of the device at these or any other conditions above those indicated in the operational sections of this specification is not implied. Exposure to absolute maximum rating conditions for extended periods may affect device reliability.

**Note 2:**  $V_{CC}$  must be applied simultaneously or before  $V_{PP}$  and removed simultaneously or after  $V_{PP}$ .

**Note 3:**  $V_{PP}$  may be connected to  $V_{CC}$  except during programming.  $I_{CC1} \leq$  the sum of the  $I_{CC}$  active and  $I_{PP}$  read currents.

**Note 4:** Typical values are for  $T_A = +25^\circ\text{C}$  and nominal supply voltages.

**Note 5:** This parameter is only sampled and is not 100% tested.

**Note 6:**  $\overline{OE}$  may be delayed up to  $t_{ACC} - t_{OE}$  after the falling edge of  $\overline{CE}$  without impact on  $t_{ACC}$ .

**Note 7:** The  $t_{DF}$  compare level is determined as follows:  
 High to TRI-STATE, the measured  $V_{OH1}$  (DC) - 0.10V  
 Low to TRI-STATE, the measured  $V_{OL1}$  (DC) + 0.10V

**Note 8:** TRI-STATE may be attained using  $\overline{OE}$  or  $\overline{CE}$ .

**Note 9:** The power switching characteristics of EPROMs require careful device decoupling. It is recommended that a 0.1  $\mu\text{F}$  ceramic capacitor be used on every device between  $V_{CC}$  and GND.

**Note 10:** The 27C16 requires one address transition after initial power-up to reset the outputs.

**Note 11:** The outputs must be restricted to  $V_{CC} + 0.3\text{V}$  to avoid latch-up and device damage.

## PROGRAMMING CHARACTERISTICS (Note 1)

### DC Programming Characteristics (Notes 2 & 3)

( $T_A = +25^\circ\text{C} \pm 5^\circ\text{C}$ ,  $V_{CC} = 5\text{V} \pm 10\%$ ,  $V_{PP} = 25\text{V} \pm 1\text{V}$ )

Symbol	Parameter	Conditions	Min	Typ	Max	Units
$I_{LI}$	Input Current (for Any Input)	$V_{IN} = V_{CC}$ or GND			10	$\mu\text{A}$
$I_{PP}$	$V_{PP}$ Supply Current during Programming Pulse	$\overline{CE}/\text{PGM} = V_{IH}$			30	mA
$I_{CC}$	$V_{CC}$ Supply Current				10	mA
$V_{IL}$	Input Low Level		-0.1		0.8	V
$V_{IH}$	Input High Level		2.0		$V_{CC} + 1$	V

### AC Programming Characteristics (Notes 2 & 3)

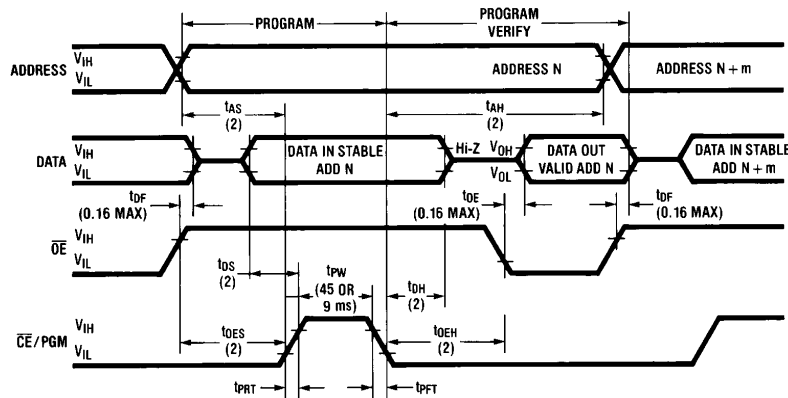
( $T_A = +25^\circ\text{C} \pm 5^\circ\text{C}$ ,  $V_{CC} = 5\text{V} \pm 10\%$ ,  $V_{PP} = 25\text{V} \pm 1\text{V}$ )

Symbol	Parameter	Conditions	Min	Typ	Max	Units
$t_{AS}$	Address Setup Time		2			$\mu\text{s}$
$t_{OES}$	$\overline{OE}$ Setup Time		2			$\mu\text{s}$
$t_{DS}$	Data Setup Time		2			$\mu\text{s}$
$t_{AH}$	Address Hold Time		2			$\mu\text{s}$
$t_{OEH}$	$\overline{OE}$ Hold Time		2			$\mu\text{s}$
$t_{DH}$	Data Hold Time		2			$\mu\text{s}$
$t_{DF}$	Output Enable to Output Float Delay	$\overline{CE}/\text{PGM} = V_{IL}$	0		120	ns
$t_{OE}$	Output Enable to Output Delay	$\overline{CE}/\text{PGM} = V_{IL}$			100	ns
$t_{PW}$	Program Pulse Width		45	50	55	ms
$t_{PRT}$	Program Pulse Rise Time		5			ns
$t_{PFT}$	Program Pulse Fall Time		5			ns

### AC Test Conditions

$V_{CC}$	$5\text{V} \pm 10\%$	Timing Measurement Reference Level	
$V_{PP}$	$25\text{V} \pm 1\text{V}$	Inputs	1V and 2V
Input Rise and Fall Times	$\leq 20\text{ ns}$	Outputs	0.8V and 2V
Input Pulse Levels	0.8V to 2.2V		

## Programming Waveforms $V_{PP} = 25V \pm 11V, V_{CC} = 5V \pm 5\%$ (Note 3)



TL/D/10329-4

**Note:** All times shown in parentheses are minimum and in  $\mu s$  unless otherwise specified.

**Note 1:** National's standard product warranty applies only to devices programmed to specifications described herein.

**Note 2:**  $V_{CC}$  must be applied simultaneously or before  $V_{PP}$  and removed simultaneously or after  $V_{PP}$ . The 27C16 must not be inserted into or removed from a board with  $V_{PP}$  at  $25V \pm 1V$  to prevent damage to the device.

**Note 3:** The maximum allowable voltage which may be applied to the  $V_{PP}$  pin during programming is 26V. Care must be taken when switching the  $V_{PP}$  supply to prevent overshoot exceeding this 26V maximum specification. A 0.1  $\mu F$  capacitor is required across  $V_{PP}, V_{CC}$  to GND to suppress spurious voltage transients which may damage the device.

## Functional Description

### DEVICE OPERATION

The six modes of operation of the 27C16 are listed in Table I. It should be noted that all inputs for the six modes are at TTL levels. The power supplies required are a 5V  $V_{CC}$  and a  $V_{PP}$ . The  $V_{PP}$  power supply must be at 25V during the three programming modes, and must be at 5V in the other three modes.

### Read Mode

The 27C16 has two control functions, both of which must be logically active in order to obtain data at the outputs. Chip Enable ( $\overline{CE}$ ) is the power control and should be used for device selection. Output Enable ( $\overline{OE}$ ) is the output control and should be used to gate data to the output pins, independent of device selection. Assuming that addresses are stable, address access time ( $t_{ACC}$ ) is equal to the delay from  $\overline{CE}$  to output ( $t_{OE}$ ). Data is available at the outputs  $t_{OE}$  after the falling edge of  $\overline{OE}$ , assuming that  $\overline{CE}$  has been low and addresses have been stable for at least  $t_{ACC} - t_{OE}$ . The 27C16 requires one address transition after initial power-up to reset the outputs.

### Standby Mode

The 27C16 has a standby mode which reduces the active power dissipation by 98%, from 26.25 mW to 0.53 mW. The 27C16 is placed in the standby mode by applying a TTL high signal to the  $\overline{CE}$  input. When in standby mode, the outputs are in a high impedance state, independent of the  $\overline{OE}$  input.

### Output OR-Tying

Because 27C16s are usually used in larger memory arrays, National has provided a 2-line control function that accommodates this use of multiple memory connections. The 2-line control function allows for:

a) the lowest possible memory power dissipation, and

b) complete assurance that output bus contention will not occur.

To most efficiently use these two control lines, it is recommended that  $\overline{CE}$  (pin 18) be decoded and used as the primary device selecting function, while  $\overline{OE}$  (pin 20) be made a common connection to all devices in the array and connected to the READ line from the system control bus. This assures that all deselected memory devices are in their low power standby modes and that the output pins are active only when data is desired from a particular memory device.

### Programming

**CAUTION:** Exceeding 26.5V on pin 21 ( $V_{PP}$ ) will damage the 27C16.

Initially, and after each erasure, all bits of the 27C16 are in the "1" state. Data is introduced by selectively programming "0s" into the desired bit locations. Although only "0s" will be programmed, both "1s" and "0s" can be presented in the data word. The only way to change a "0" to a "1" is by ultraviolet light erasure.

The 27C16 is in the programming mode when the  $V_{PP}$  power supply is at 25V and  $\overline{OE}$  is at  $V_{IH}$ . It is required that a 0.1  $\mu F$  capacitor be placed across  $V_{PP}, V_{CC}$  to ground to suppress spurious voltage transients which may damage the device. The data to be programmed is applied 8 bits in parallel to the data output pins. The levels required for the address and data inputs are TTL.

When the address and data are stable, a 50 ms, active high, TTL program pulse is applied to the  $\overline{CE}/PGM$  input. A program pulse must be applied at each address location to be programmed. You can program any location at any time—either individually, sequentially, or at random. The program pulse has a maximum width of 55 ms. The 27C16 must not be programmed with a DC signal applied to the  $\overline{CE}/PGM$  input.

## Functional Description (Continued)

Programming multiple 27C16s in parallel with the same data can be easily accomplished due to the simplicity of the programming requirements. Like inputs of the paralleled 27C16s may be connected together when they are programmed with the same data. A high level TTL pulse applied to the  $\overline{CE}$ /PGM input programs the paralleled 27C16s.

### Program Inhibit

Programming multiple 27C16s in parallel with different data is also easily accomplished. Except for  $\overline{CE}$ /PGM, all like inputs (including  $\overline{OE}$ ) of the parallel 27C16s may be common. A TTL level program pulse applied to an 27C16's  $\overline{CE}$ /PGM input with  $V_{PP}$  at 25V will program that 27C16. A low level  $\overline{CE}$ /PGM input inhibits the other 27C16 from being programmed.

### Program Verify

A verify should be performed on the programmed bits to determine whether they were correctly programmed. The verify may be performed with  $V_{PP}$  at 25V.  $V_{PP}$  must be at  $V_{CC}$ , except during programming and program verify.

### ERASURE CHARACTERISTICS

The erasure characteristics of the 27C16 are such that erasure begins to occur when exposed to light with wavelengths shorter than approximately 4000 Angstroms (Å). It should be noted that sunlight and certain types of fluorescent lamps have wavelengths in the 3000Å–4000Å range. Opaque labels should be placed over the 27C16 window to prevent unintentional erasure. Covering the window will also prevent temporary functional failure due to the generation of photo currents.

The recommended erasure procedure for the 27C16 is exposure to short wave ultraviolet light which has a wavelength of 2537 Angstroms (Å). The integrated dose (i.e., UV intensity  $\times$  exposure time) for erasure should be a minimum of 15W-sec/cm<sup>2</sup>. The erasure time with this dosage is approximately 21 minutes using an ultraviolet lamp with a

12,000  $\mu$ W/cm<sup>2</sup> power rating. The 27C16 should be placed within 1 inch of the lamp tubes during erasure. Some lamps have a filter on their tubes which should be removed before erasure.

**Note:** The 27C16-550 may take up to 60 minutes for complete erasure to occur.

An erasure system should be calibrated periodically. The distance from lamp to unit should be maintained at one inch. The erasure time increases as the square of the distance. (If distance is doubled the erasure time increases by a factor of 4.) Lamps lose intensity as they age. When a lamp is changed, the distance has changed, or the lamp has aged, the system should be checked to make certain full erasure is occurring. Incomplete erasure will cause symptoms that can be misleading. Programmers, components, and even system designs have been erroneously suspected when incomplete erasure was the problem.

### SYSTEM CONSIDERATION

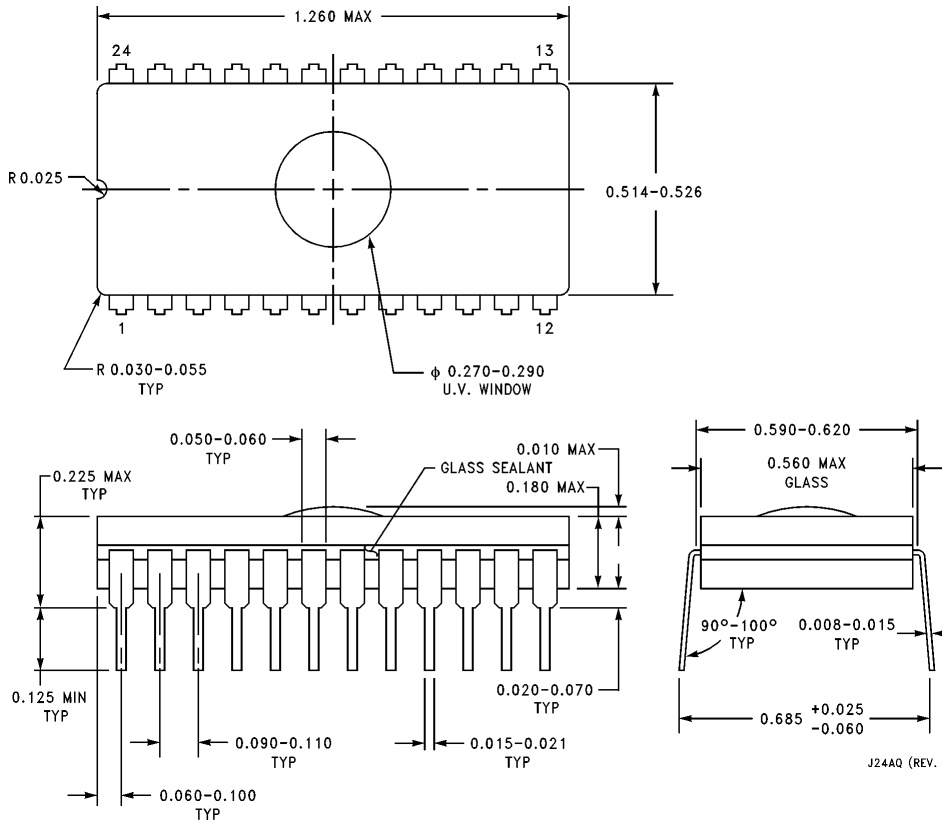
The power switching characteristics of EPROMs require careful decoupling of the devices. The supply current,  $I_{CC}$ , has three segments that are of interest to the system designer—the standby current level, the active current level, and the transient current peaks that are produced on the falling and rising edges of chip enable. The magnitude of these transient current peaks is dependent on the output capacitance loading of the device. The associated transient voltage peaks can be suppressed by properly selected decoupling capacitors. It is recommended that a 0.1  $\mu$ F ceramic capacitor be used on every device between  $V_{CC}$  and GND. This should be a high frequency capacitor of low inherent inductance. In addition, a 4.7  $\mu$ F bulk electrolytic capacitor should be used between  $V_{CC}$  and GND for each eight devices. The bulk capacitor should be located near where the power supply is connected to the array. The purpose of the bulk capacitor is to overcome the voltage drop caused by the inductive effects of the PC board traces.

TABLE I. Mode Selection

Mode	Pins	$\overline{CE}$ /PGM (18)	$\overline{OE}$ (20)	$V_P$ (21)	$V_{CC}$ (24)	Outputs (9–11, 13–17)
Read		$V_{IL}$	$V_{IL}$	$V_{CC}$	5	$D_{OUT}$
Standby		$V_{IH}$	Don't Care	$V_{CC}$	5	Hi-Z
Program		Pulsed $V_{IL}$ to $V_{IH}$	$V_{IH}$	25	5	$D_{IN}$
Program Verify		$V_{IL}$	$V_{IL}$	25	5	$D_{OUT}$
Program Inhibit		$V_{IL}$	$V_{IH}$	25	5	Hi-Z
Output Disable		X	$V_{IH}$	$V_{CC}$	5	Hi-Z

**Physical Dimensions** inches (millimeters)

Lit. # 114700



**24 Lead Ceramic Dual-In-Line Package (J)**  
**Order Number 27C16Q450/883 or 27C16Q550/883**  
**NS Package Number J24AQ**

**LIFE SUPPORT POLICY**

NATIONAL'S PRODUCTS ARE NOT AUTHORIZED FOR USE AS CRITICAL COMPONENTS IN LIFE SUPPORT DEVICES OR SYSTEMS WITHOUT THE EXPRESS WRITTEN APPROVAL OF THE PRESIDENT OF NATIONAL SEMICONDUCTOR CORPORATION. As used herein:

1. Life support devices or systems are devices or systems which, (a) are intended for surgical implant into the body, or (b) support or sustain life, and whose failure to perform, when properly used in accordance with instructions for use provided in the labeling, can be reasonably expected to result in a significant injury to the user.
2. A critical component is any component of a life support device or system whose failure to perform can be reasonably expected to cause the failure of the life support device or system, or to affect its safety or effectiveness.



**National Semiconductor Corporation**  
 1111 West Bardin Road  
 Arlington, TX 76017  
 Tel: 1(800) 272-9959  
 Fax: 1(800) 737-7018

**National Semiconductor Europe**  
 Fax: (+49) 0-180-530 85 86  
 Email: cnjwge@tevm2.nsc.com  
 Deutsch Tel: (+49) 0-180-530 85 85  
 English Tel: (+49) 0-180-532 78 32  
 Français Tel: (+49) 0-180-532 93 58  
 Italiano Tel: (+49) 0-180-534 16 80

**National Semiconductor Hong Kong Ltd.**  
 19th Floor, Straight Block,  
 Ocean Centre, 5 Canton Rd.  
 Tsimshatsui, Kowloon  
 Hong Kong  
 Tel: (852) 2737-1600  
 Fax: (852) 2736-9960

**National Semiconductor Japan Ltd.**  
 Tel: 81-043-299-2309  
 Fax: 81-043-299-2408

National does not assume any responsibility for use of any circuitry described, no circuit patent licenses are implied and National reserves the right at any time without notice to change said circuitry and specifications.