



MOTOROLA

MCM68764

64K-BIT UV ERASABLE PROM

The MCM68764 is a 65,536-bit Erasable and Electrically Reprogrammable PROM designed for system debug usage and similar applications requiring nonvolatile memory that could be reprogrammed periodically, or for replacing 64K ROMs for fast turnaround time. The transparent window on the package allows the memory content to be erased with ultraviolet light.

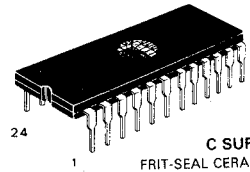
For ease of use, the device operates from a single power supply and has a static power-down mode. Pin-for-pin mask programmable ROMs are available for large volume production runs of systems initially using the MCM68764.

- Single +5 V Power Supply
- Automatic Power-down Mode (Standby) with Chip Enable
- Organized as 8192 Bytes of 8 Bits
- Low Power Dissipation
 - 85 mA Active Maximum
 - 20 mA Standby Maximum
- Fully TTL Compatible
- Maximum Access Time = 450 ns MCM68764
350 ns MCM68764-35
- Standard 24-Pin DIP for EPROM Upgradability
- Pin Compatible to MCM68365 Mask Programmable ROM
- Fast Programming Algorithm Possible

MOS

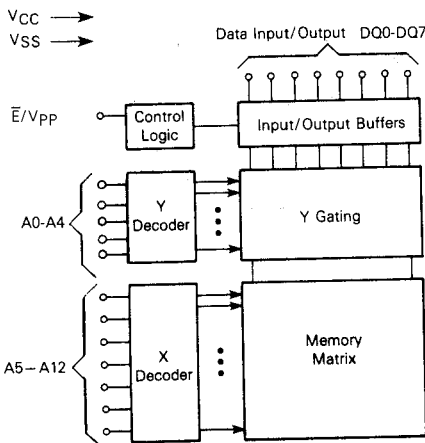
(N-CHANNEL, SILICON-GATE)

**8192 × 8-BIT
UV ERASABLE
PROGRAMMABLE READ
ONLY MEMORY**

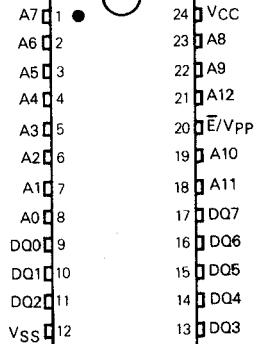


C SUFFIX
FRIT-SEAL CERAMIC PACKAGE
CASE 623A

BLOCK DIAGRAM



PIN ASSIGNMENT



Pin Names

A	Address
DQ	Data Input/Output
E/Vpp	Chip Enable/Program
VCC	+5 V
VSS	Ground

ABSOLUTE MAXIMUM RATINGS (See Note)

Rating	Value	Unit
Temperature Under Bias	-10 to +80	°C
Operating Temperature Range	0 to +70	°C
Storage Temperature	-65 to +125	°C
All Input or Output Voltages with Respect to V _{SS}	+6 to -0.3	V
V _{PP} Supply Voltage with Respect to V _{SS}	+28 to -0.3	V

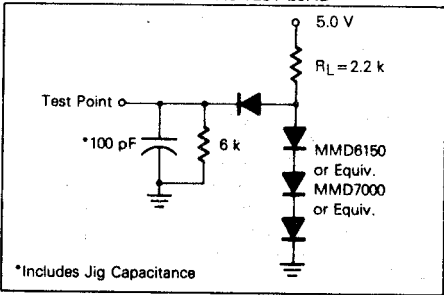
This device contains circuitry to protect the inputs against damage due to high static voltages or electric fields; however, it is advised that normal precautions be taken to avoid application of any voltage higher than maximum rated voltages to this high-impedance circuit.

NOTE: Permanent device damage may occur if ABSOLUTE MAXIMUM RATINGS are exceeded. Functional operation should be restricted to RECOMMENDED OPERATING CONDITIONS. Exposure to higher than recommended voltages for extended periods of time could affect device reliability.

MODE SELECTION

Mode	Pin Number			
	9-11, 13-17, DQ	12 V _{SS}	20 E/V _{PP}	24 V _{CC}
Read	Data out.	V _{SS}	V _{IL}	V _{CC}
Output Disable	High-Z	V _{SS}	V _{IH}	V _{CC}
Standby	High-Z	V _{SS}	V _{IH}	V _{CC}
Program	Data in	V _{SS}	Pulsed V _{ILP} to V _{IHP}	V _{CC}

FIGURE 1 — AC TEST LOAD



MCM68764

DC OPERATING CONDITIONS AND CHARACTERISTICS

(Full operating voltage and temperature range unless otherwise noted)

CAPACITANCE ($f = 1.0 \text{ MHz}$, $T_A = 25^\circ\text{C}$, $V_{CC} = 5 \text{ V}$ periodically sampled rather than 100% tested)

Characteristic	Symbol	Typ	Max	Unit
Input Capacitance ($V_{in} = 0 \text{ V}$) Except \bar{E}/V_{pp}	C_{in}	4.0	6.0	pF
Input Capacitance \bar{E}/V_{pp}	C_{in}	60	100	pF
Output Capacitance ($V_{out} = 0 \text{ V}$)	C_{out}	8.0	12	pF

Capacitance measured with a Boonton Meter or effective capacitance calculated from the equation: $C = I\Delta t / \Delta V$.

RECOMMENDED DC OPERATING CONDITIONS

Parameter	Symbol	Min	Nom	Max	Unit
Supply Voltage	V_{CC}	4.75	5.0	5.25	V
Input High Voltage	V_{IH}	2.0	—	$V_{CC} + 1.0$	V
Input Low Voltage	V_{IL}	-0.1	—	0.8	V

DC OPERATING CHARACTERISTICS

Characteristic	Condition	Symbol	MCM68764			Units
			Min	Typ	Max	
Address Input Sink Current	$V_{in} = 5.25 \text{ V}$	I_{in}	—	—	10	μA
Output Leakage Current	$V_{out} = 5.25 \text{ V}$	I_{LO}	—	—	10	μA
\bar{E}/V_{pp} Input Sink Current	$\bar{E}/V_{pp} = 0.4$	I_{EL}	—	—	100	μA
	$\bar{E}/V_{pp} = 2.4$	$I_{EH} = I_{PL}$	—	—	100	μA
V_{CC} Supply Current (Standby, Outputs Open)	$\bar{E}/V_{pp} = V_{IH}$	I_{CC1}	—	—	20	mA
V_{CC} Supply Current (Active, Outputs Open)	$\bar{E}/V_{pp} = V_{IL}$	I_{CC2}	—	—	85	mA
Output Low Voltage	$I_{OL} = 2.1 \text{ mA}$	V_{OL}	—	—	0.45	V
Output High Voltage	$I_{OH} = -400 \mu\text{A}$	V_{OH}	2.4	—	—	V

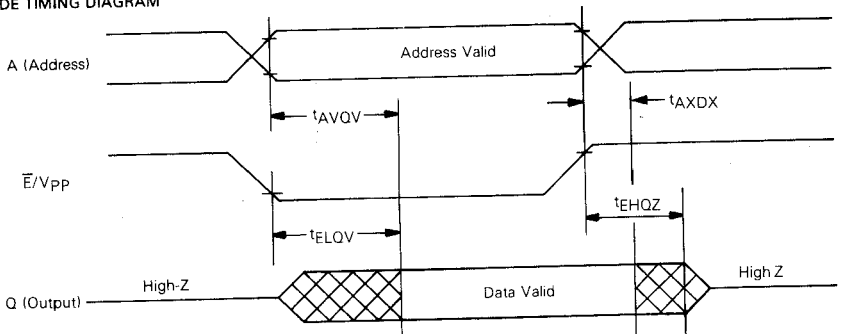
AC OPERATING CONDITIONS AND CHARACTERISTICS

(Full operating voltage and temperature range unless otherwise noted)

Input Pulse Levels 0.8 Volt and 2.2 Volts
 Input Rise and Fall Times 20 ns
 Input Timing Levels 1.0 Volt and 2.0 Volts
 Output Timing Levels 0.8 Volt and 2.0 Volts
 Output Load See Figure 1

Characteristic	Symbol		MCM68764C35		MCM68764C		Units
	Standard	Alternate	Min	Max	Min	Max	
Address Valid to Output Valid ($\bar{E} = V_{IL}$)	t_{AVQV}	t_{ACC}	—	350	—	450	ns
Chip Enable to Output Valid	t_{ELQV}	t_{CE}	—	350	—	450	ns
Chip Disable to Output High Z	t_{EHQZ}	t_{DF}	0	100	0	100	ns
Data Hold from Address ($\bar{E} = V_{IL}$)	t_{AXDX}	t_{OH}	0	—	0	—	ns

READ MODE TIMING DIAGRAM



DC PROGRAMMING CONDITIONS AND CHARACTERISTICS

($T_A = 25 \pm 5^\circ\text{C}$)

RECOMMENDED PROGRAMMING OPERATING CONDITIONS

Parameter	Symbol	Min	Nom	Max	Unit
Supply Voltage	V_{CC}	4.75	5.0	5.25	V
Input High Voltage for All Addresses and Data	V_{IH}	2.2	—	$V_{CC} + 1$	V
Input Low Voltage for All Addresses and Data	V_{IL}	-0.1	—	0.8	V
Program Pulse Input High Voltage	V_{IHP}	24	25	26	V
Program Pulse Input Low Voltage	V_{ILP}	2.0	V_{CC}	6.0	V

PROGRAMMING OPERATION DC CHARACTERISTICS

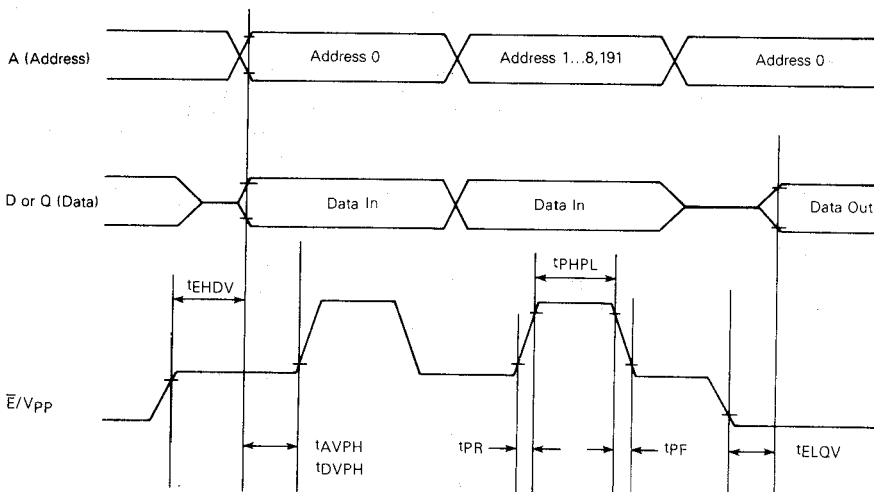
Characteristic	Condition	Symbol	Min	Typ	Max	Unit
Address Input Sink Current	$V_{in} = 5.25\text{ V}$	I_{LI}	—	—	10	μA
V_{pp} Program Pulse Supply Current ($V_{pp} = 25\text{ V} \pm 1\text{ V}$)	—	I_{PH}	—	—	30	mA
V_{pp} Supply Current ($V_{pp} = 2.4\text{ V}$)	—	$I_{PL} = I_{EH}$	—	—	100	μA
V_{CC} Supply Current ($V_{pp} = 5.0\text{ V}$)	—	I_{CC}	—	—	85	mA

AC PROGRAMMING CONDITIONS AND CHARACTERISTICS

Characteristic	Symbol		Min	Max	Unit
	Standard	Alternate			
Address Setup Time	t_{AVPH}	t_{AS}	2.0	—	μs
Data Setup Time	t_{DVPH}	t_{DS}	2.0	—	μs
Chip Enable to Valid Data	t_{ELQV}	t_{CE}	450	—	ns
Chip Disable to Data In	t_{EHDV}	t_{CDD}	2.0	—	μs
Program Pulse Width	t_{PHPL}	t_{PW}	1.9	2.1	ms
Program Pulse Rise Time	t_{PR}	t_{PR}	0.5	2.0	μs
Program Pulse Fall Time	t_{PF}	t_{PF}	0.5	2.0	μs
Cumulative Programming Time Per Word*	t_{CP}	t_{CP}	12	50	ms

* If less than 25 two millisecond pulses are required to verify programming, then 5 additional two millisecond pulses are required to ensure proper operating margins (i.e., $2\text{ ms} + 5 \times 2\text{ ms} = 12\text{ ms}$ minimum t_{CP}).

PROGRAMMING OPERATION TIMING DIAGRAM



MCM68764

PROGRAMMING INSTRUCTIONS

Before programming, the memory should be submitted to a full erase operation to ensure that every bit is in the "1" state (represented by Output High). Data is entered by programming zeros (Output Low) into the required bits. The words are addressed the same way as in the READ operation. A programmed "0" can only be changed to a "1" by ultraviolet erasure.

To set the memory up for Program Mode, the \bar{E}/V_{pp} input (Pin 20) should be between +2.0 and +6.0 V, which will three-state the outputs and allow data to be setup on the DQ terminals. The V_{CC} voltage is the same as for the Read operation. Only "0's" will be programmed when "0's" and "1's" are entered in the 8-bit data word.

After address and data setup, 25-volt programming pulse (V_{IH} to V_{IHP}) is applied to the \bar{E}/V_{pp} input. The program pulse width is 2 ms and the maximum program pulse amplitude is 26 V.

Multiple MCM68764s may be programmed in parallel by connecting like inputs and applying the program pulse to the \bar{E}/V_{pp} inputs. Different data may be programmed into multiple MCM68764s connected in parallel by selectively applying the programming pulse only to the MCM68764s to be programmed.

READ OPERATION

After access time, data is valid at the outputs in the Read mode. A single input (\bar{E}/V_{pp}) enables the outputs and puts the chip in active or standby mode. With $\bar{E}/V_{pp} = "0"$ the

outputs are enabled and the chip is in active mode; with $\bar{E}/V_{pp} = "1"$ the outputs are three-stated and the chip is in standby mode. During standby mode, the power dissipation is reduced.

Multiple MCM68764s may share a common data bus with like outputs OR-tied together. In this configuration, only one \bar{E}/V_{pp} input should be low and no other device outputs should be active on the same bus. This will prevent data contention on the bus.

ERASING INSTRUCTIONS

The MCM68764 can be erased by exposure to high intensity shortwave ultraviolet light, with a wavelength of 2537 angstroms. The recommended integrated dose (i.e., UV-intensity X exposure time) is 15 Ws/cm². As an example, using the "Model 30-000" UV-Eraser (Turner Designs, Mountain View, CA 94043) the ERASE-time is 36 minutes. The lamps should be used without shortwave filters and the MCM68764 should be positioned about one inch away from the UV-tubes.

RECOMMENDED OPERATING PROCEDURES

After erasure and reprogramming of the EPROM, it is recommended that the quartz window be covered with an opaque self-adhesive cover. It is important that the self-adhesive cover not leave any residue on the quartz if it is removed to allow another erasure.

FAST PROGRAMMING ALGORITHM

This device is capable of the fast programming algorithm as shown by the following flow chart. This algorithm allows for faster programming time with increased operating margins and improved reliability of data storage.

FAST PROGRAMMING ALGORITHM FLOW CHART

