



MCM66700 MCM66710
MCM66714 MCM66720
MCM66730 MCM66734
MCM66740 MCM66750
MCM66751 MCM66760
MCM66770 MCM66780
MCM66790

8192-BIT READ ONLY MEMORIES
ROW SELECT CHARACTER GENERATORS

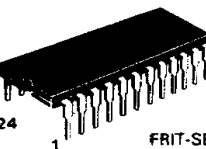
The MCM66700 is a mask-programmable 8192-bit horizontal-scan (row select) character generator. It contains 128 characters in a 7 X 9 matrix, and has the capability of shifting certain characters that normally extend below the baseline such as j, y, g, p, and q. Circuitry is supplied internally to effectively lower the whole matrix for this type of character—a feature previously requiring external circuitry.

A seven-bit address code is used to select one of the 128 available characters. Each character is defined as a specific combination of logic 1s and 0s stored in a 7 X 9 matrix. When a specific four-bit binary row select code is applied, a word of seven parallel bits appears at the output. The rows can be sequentially selected, providing a nine-word sequence of seven parallel bits per word for each character selected by the address inputs. As the row select inputs are sequentially addressed, the devices will automatically place the 7 X 9 character in one of two preprogrammed positions on the 16-row matrix, with the positions defined by the four row select inputs. Rows that are not part of the character are automatically blanked.

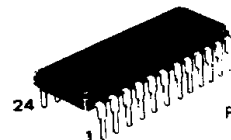
The devices listed are preprogrammed versions of the MCM66700. They contain various sets of characters to meet the requirements of diverse applications. The complete patterns of these devices are contained in this data sheet.

- Fully Static Operation
- Fully TTL Compatible with Three-State Outputs
- CMOS and MPU Compatible, Single $\pm 10\%$ 5 Volt Supply
- Shifted Character Capability
 (Except MCM66720, MCM66730, and MCM66734)
- Maximum Access Time = 350 ns
- 4 Programmable Chip Selects (0, 1, or X)
- Pin-for-Pin Replacement for the MCM6570,
 Including All Standard Patterns

DataSheet4U.com

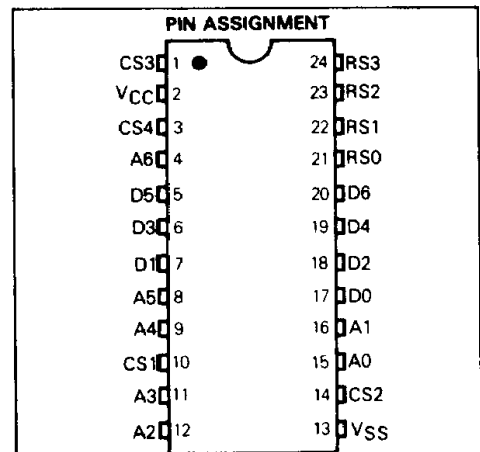
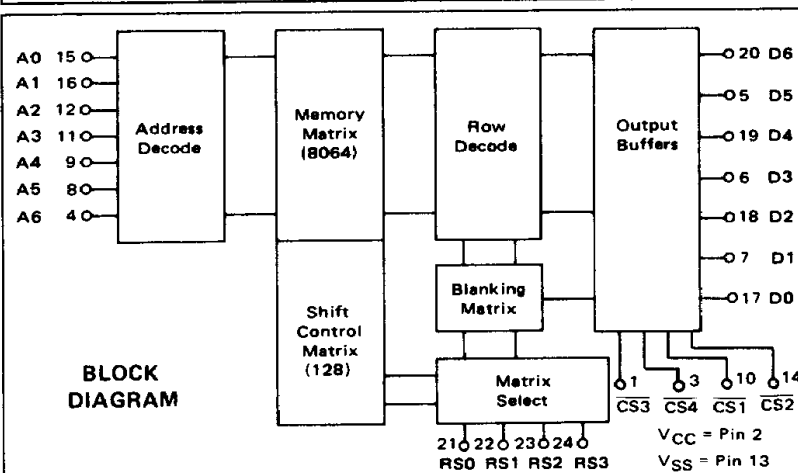


C SUFFIX
 FRIT-SEAL CERAMIC PACKAGE
 CASE 623-04



P SUFFIX
 PLASTIC PACKAGE
 CASE 709-02

ROM



MCM66700**ABSOLUTE MAXIMUM RATINGS** (See Note 1, Voltages Referenced to V_{SS})

Rating	Symbol	Value	Unit
Supply Voltages	V_{CC}	-0.3 to 7.0	Vdc
Input Voltage	V_{in}	-0.3 to 7.0	Vdc
Operating Temperature Range	T_A	0 to +70	$^{\circ}C$
Storage Temperature Range	T_{stg}	-55 to +125	$^{\circ}C$

NOTE 1: Permanent device damage may occur if ABSOLUTE MAXIMUM RATINGS are exceeded. Functional operation should be restricted to RECOMMENDED OPERATING CONDITIONS. Exposure to higher-than-recommended voltages for extended periods of time could affect device reliability.

DC OPERATING CONDITIONS AND CHARACTERISTICS

(Full operating voltage and temperature range unless otherwise noted)

RECOMMENDED DC OPERATING CONDITIONS (Referenced to V_{SS})

Parameter	Symbol	Min	Nom	Max	Unit
Supply Voltage	V_{CC}	4.5	5.0	5.5	Vdc
Input Logic "1" Voltage	V_{IH}	2.0	-	V_{CC}	Vdc
Input Logic "0" Voltage	V_{IL}	-0.3	-	0.8	Vdc

DC CHARACTERISTICS

Characteristic	Symbol	Min	Typ	Max	Unit
Input Leakage Current ($V_{IH} = 5.5$ Vdc, $V_{CC} = 4.5$ Vdc)	I_{IH}	-	-	2.5	μ Adc
Output Low Voltage (Blank) ($I_{OL} = 1.6$ mAdc)	V_{OL}	0	-	0.4	Vdc
Output High Voltage (Dot) ($I_{OH} = -205$ μ Adc)	V_{OH}	2.4	-	-	Vdc
Power Supply Current	I_{CC}	-	-	80	mAdc
Power Dissipation	P_D	-	200	440	mW

CAPACITANCE (Periodically sampled rather than 100% tested)

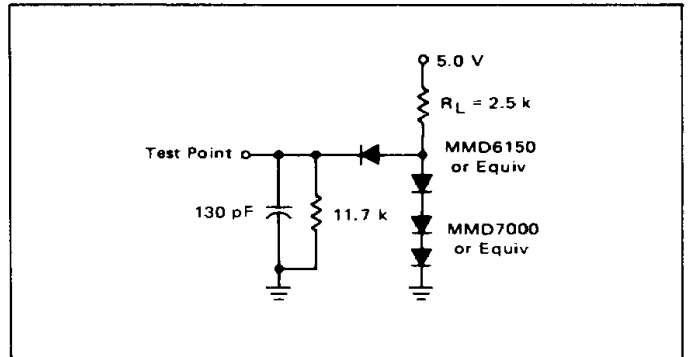
Parameter	Symbol	Min	Typ	Max	Unit
Input Capacitance ($f = 1.0$ MHz)	C_{in}	-	4.0	7.0	pF
Output Capacitance ($f = 1.0$ MHz)	C_{out}	-	4.0	7.0	pF

MCM66700

AC OPERATING CONDITIONS AND CHARACTERISTICS

(Full operating voltage and temperature range unless otherwise noted)

AC TEST LOAD



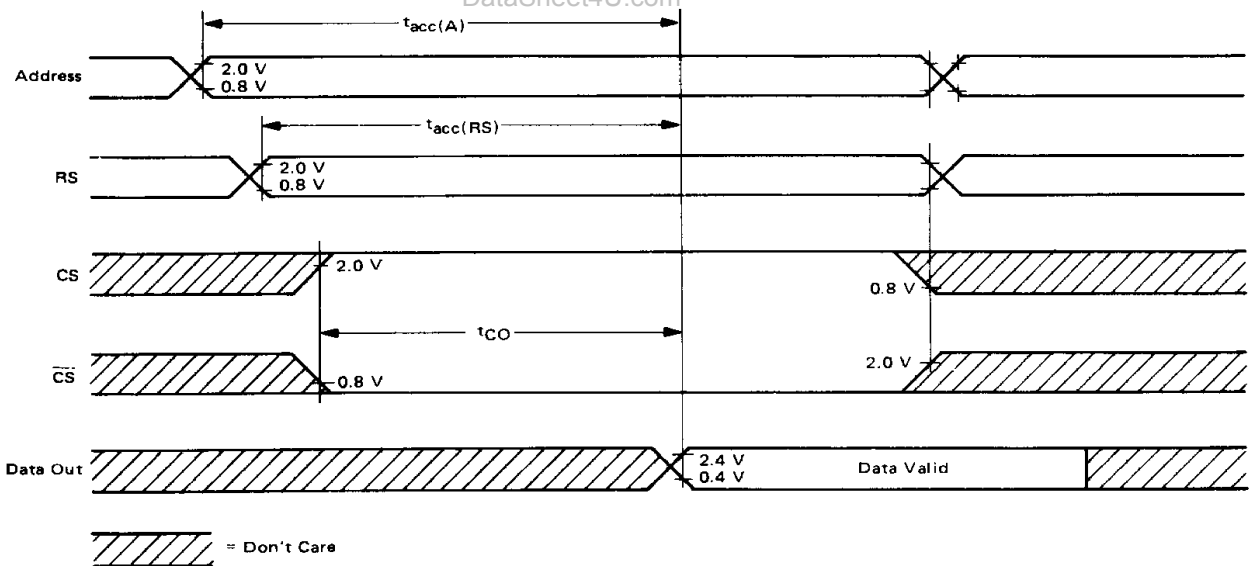
AC TEST CONDITIONS

Condition	Value
Input Pulse Levels	0.8 V to 2.0 V
Input Rise and Fall Times	20 ns
Output Load	1 TTL Gate and $C_L = 130$ pF

AC CHARACTERISTICS

Characteristic	Symbol	Typ	Max	Unit
Address Access Time	$t_{acc(A)}$	250	350	ns
Row Select Access Time	$t_{acc(RS)}$	250	350	ns
Chip Select to Output Delay	t_{CO}	100	150	ns

TIMING DIAGRAM



ROM

MCM66700

MEMORY OPERATION (Using Positive Logic)

Most positive level = 1, most negative level = 0.

Address

To select one of the 128 characters, apply the appropriate binary code to the Address inputs (A0 through A6).

Row Select

To select one of the rows of the addressed character to appear at the seven output lines, apply the appropriate binary code to the Row Select inputs (RS0 through RS3).

Shifted Characters

These devices have the capability of displaying characters that descend below the bottom line (such as lowercase letters j, y, g, p, and q). Internal circuitry effectively drops the whole matrix for this type of character. Any character

can be programmed to occupy either of the two positions in a 7 X 16 matrix. (Shifted characters are not available on MCM66720, MCM66730, or MCM66734.)

Output

For these devices, an output dot is defined as a logic 1 level, and an output blank is defined as a logic 0 level.

Programmable Chip Select

The MCM66700 has four Chip Select inputs that can be programmed with a 1, 0, or don't care (not connected). A don't care must always be the highest chip select pin or pins. All standard patterns have Don't Care Chip Select—except MCM66751.

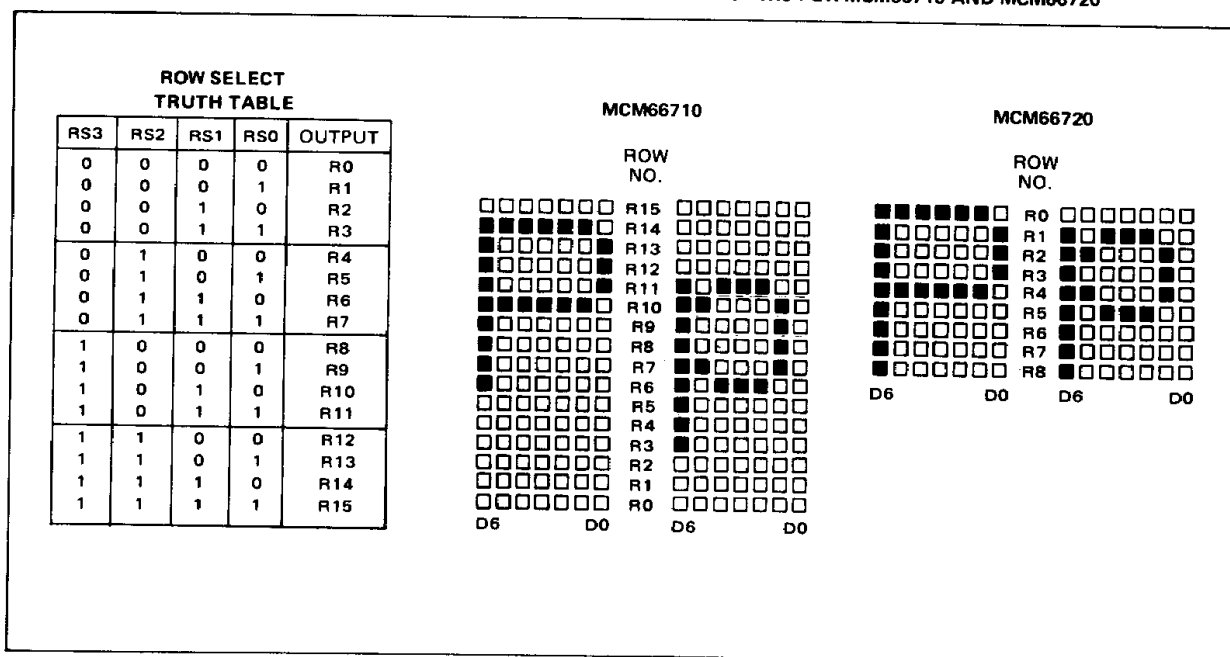
DISPLAY FORMAT

Figure 1 shows the relationship between the logic levels at the row select inputs and the character row at the outputs. The MCM66700 allows the user to locate the basic 7 X 9 font anywhere in the 7 X 16 array. In addition, a shifted font can be placed anywhere in the same 7 X 16 array. For example, the basic MCM66710 font is established in rows R14 through R6. All other rows are automatically blanked. The shifted font is established in rows R11 through R3, with all other rows blanked. Thus, while any one character is contained in a 7 X 9 array, the MCM66710 requires a 7 X 12 array on the CRT screen to contain both normal and descending characters. Other

uses of the shift option may require as much as the full 7 X 16 array, or as little as the basic 7 X 9 array (when no shifting occurs, as in the MCM66720).

The MCM66700 can be programmed to be scanned either from bottom to top or from top to bottom. This is achieved through the option of assigning row numbers in ascending or descending count, as long as both the basic font and the shifted font are the same. For example, an up counter will scan the MCM66710 from bottom to top, whereas an up counter will scan the MCM66714 from top to bottom (see Figures 7 and 8 for row designation).

FIGURE 1 — ROW SELECT INPUT CODE AND SAMPLE CHARACTERS FOR MCM66710 AND MCM66720



ROM

MCM66700

CUSTOM PROGRAMMING FOR MCM66700

By the programming of a single photomask, the customer may specify the content of the MCM66700. Encoding of the photomask is done with the aid of a computer to provide quick, efficient implementation of the custom bit pattern while reducing the cost of implementation.

Information for the custom memory content may be sent to Motorola in the following forms, in order of preference:*

1. Hexadecimal coding using IBM Punch Cards (Figures 3 and 4)
2. Hexadecimal coding using ASCII Paper Tape Punch (Figure 5)

Programming of the MCM66700 can be achieved by using the follow sequence:

1. Create the 128 characters in a 7 X 9 font using the format shown in Figure 2. Note that information at output D6 appears in column one, D5 in column two, through D0 information in column seven. The dots filled in and programmed as a logic 1 will appear at the outputs as V_{OH} ; the dots left blank will be at V_{OL} . (Blank formats appear at the end of this data sheet for your convenience;

they are not to be submitted to Motorola, however.)

2. Indicate which characters are shifted by filling in the extra square (dot) in the top row, at the left (column S).

3. Convert the characters to hexadecimal coding treating dots as 1s and blanks as 0s, and enter this information in the blocks to the right of the character font format. High order bits are at the left, in columns S and D3. For the bottom eight rows, the bit in Column S must be 0, so these locations have been omitted. For the top row, the bit in Column S will be 0 for an unshifted character, and 1 for a shifted character.

4. Transfer the hexadecimal figures either to punched cards (Figure 3) or to paper tape (Figure 5).

5. Assign row numbers to the unshifted font. These must be nine sequential numbers (values 0 through 15) assigned consecutively to the rows. The shifted font is similarly placed in any position in the 16 rows.

6. Provide, in writing, the information indicated in Figure 6 (a copy of Figure 10 may be used for this purpose). Submit this information to Motorola together with the punched cards or paper tape.

FIGURE 2 - CHARACTER FORMAT

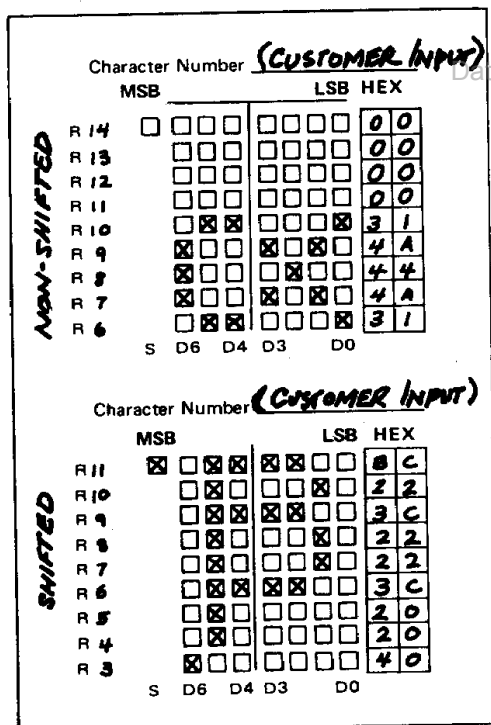


FIGURE 3 - CARD PUNCH FORMAT

Columns	
1 - 10	Blank
11	Asterisk (*)
12 - 29	Hex coding for first character
30	Slash (/)
31 - 48	Hex coding for second character
49	Slash (/)
50 - 67	Hex coding for third character
68	Slash (/)
69 - 76	Blank
77 - 78	Card number (starting 01; through 43)
79 - 80	Blank

Column 12 on the first card contains the hexadecimal equivalent of column S and D6 through D4 for the top row of the first character. Column 13 contains D3 through D0. Columns 14 and 15 contain the information for the next row. The entire first character is coded in columns 12 through 29. Each card contains the coding for three characters. 43 cards are required to program the entire 128 characters, the last card containing only two characters. The characters must be programmed in sequence from the first character to the last in order to establish proper addressing for the part. As an example, the first nine characters of the MCM66710 are correctly coded and punched in Figure 4.

*NOTE: Motorola can accept magnetic tape and truth table formats. For further information contact your local Motorola sales representative.

MCM66700

**FIGURE 4 — EXAMPLE OF CARD PUNCH FORMAT
(First 9 Characters of MCM66710)**

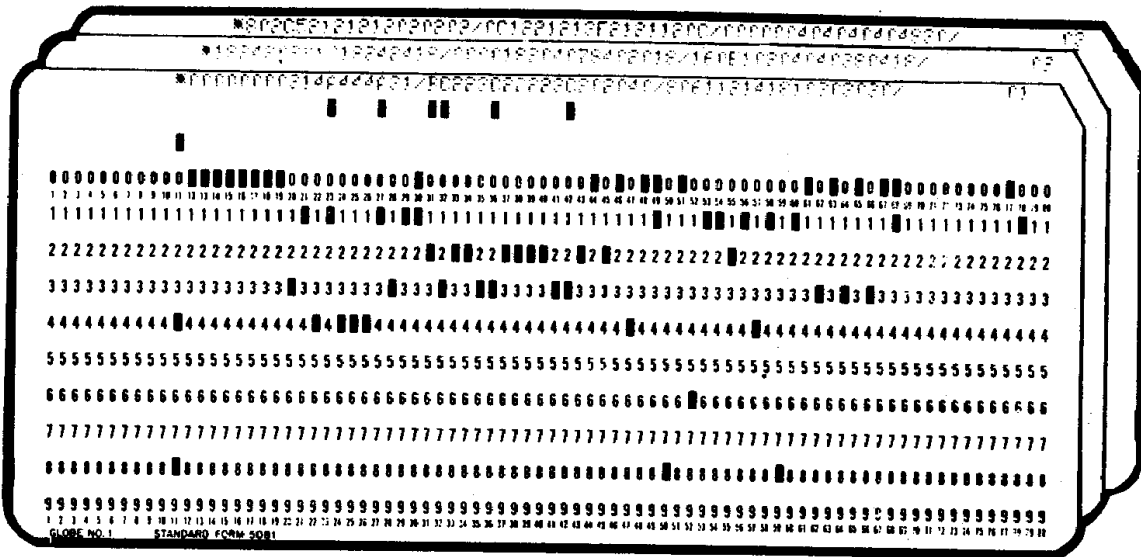


FIGURE 5 — PAPER TAPE FORMAT

Frames		
Leader	Blank Tape	start of data entry. (Note that the tape cannot begin with a CR and/or LF, or the customer identification will be assumed to be programming data.) Frame M + 3 contains the hexadecimal equivalent of column S and D6 thru D4 for the top row of the first character. Frame M + 4 contains D3 thru D0. Frames M + 5 and M + 6 program the second row of the first character. Frames M + 3 to M + 66 comprise the first line of the printout. The line is terminated with a CR and LF. The remaining 35 lines of data are punched in sequence using the same format, each line terminated with a CR and LF. The total 36 lines of data contain 36 x 64 or 2304 hex figures. Since 18 hex figures are required to program each 7 x 9 character, the full 128 (2304 ÷ 18) characters are programmed.
1 to M	Allowed for customer use (M ≤ 64)	
M + 1, M + 2	CR; LF (Carriage Return; Line Feed)	
M + 3 to M + 66	First line of pattern information (64 hex figures per line)	
M + 67, M + 68	CR; LF	
M + 69 to M + 2378	Remaining 35 lines of hex figures, each line followed by a Carriage Return and Line Feed	
Blank Tape		
Frames 1 to M are left to the customer for internal identification, where M ≤ 64. Any combination of alphanumeric may be used. This information is terminated with a Carriage Return and Line Feed, delineating the		

FIGURE 6 — FORMAT FOR ORGANIZATIONAL DATA

ORGANIZATIONAL DATA
MCM66700 MOS READ ONLY MEMORY

Customer _____

Customer Part No. _____ Rev. _____

Row Number for top row of non-shifted font _____

Row Number for bottom row of non-shifted font _____

Row Number for top row of shifted font _____

Programmable Chip Select information: 1 = Active High 0 = Active Low X = Don't Care (Not Connected)

CS1 _____ CS2 _____ CS3 _____ CS4 _____

ROM

MCM66700

FIGURE 9 - MCM66734 PATTERN*

A3 . A4		A0		0000		0001		0010		0011		0100		0101		0110		0111		1000		1001		1010		1011		1100		1101		1110		1111	
		D6	D0	D6	D0	D6	D0	D6	D0	D6	D0	D6	D0	D6	D0	D6	D0	D6	D0	D6	D0	D6	D0	D6	D0	D6	D0	D6	D0	D6	D0	D6	D0		
000	RD	[Pattern]																																	
	RB	[Pattern]																																	
001	RD	[Pattern]																																	
	RB	[Pattern]																																	
010	RD	[Pattern]																																	
	RB	[Pattern]																																	
011	RD	[Pattern]																																	
	RB	[Pattern]																																	
100	RD	[Pattern]																																	
	RB	[Pattern]																																	
101	RD	[Pattern]																																	
	RB	[Pattern]																																	
110	RD	[Pattern]																																	
	RB	[Pattern]																																	
111	RD	[Pattern]																																	
	RB	[Pattern]																																	

* Shifted characters are not used.

DataSheet4U.com

FIGURE 10 - MCM66720 PATTERN**

A3 . A4		A0		0000		0001		0010		0011		0100		0101		0110		0111		1000		1001		1010		1011		1100		1101		1110		1111	
		D6	D0	D6	D0	D6	D0	D6	D0	D6	D0	D6	D0	D6	D0	D6	D0	D6	D0	D6	D0	D6	D0	D6	D0	D6	D0	D6	D0	D6	D0	D6	D0		
000	RD	[Pattern]																																	
	RB	[Pattern]																																	
001	RD	[Pattern]																																	
	RB	[Pattern]																																	
010	RD	[Pattern]																																	
	RB	[Pattern]																																	
011	RD	[Pattern]																																	
	RB	[Pattern]																																	
100	RD	[Pattern]																																	
	RB	[Pattern]																																	
101	RD	[Pattern]																																	
	RB	[Pattern]																																	
110	RD	[Pattern]																																	
	RB	[Pattern]																																	
111	RD	[Pattern]																																	
	RB	[Pattern]																																	

** Shifted characters are not used.

ROM

MCM66700

FIGURE 11 – MCM66730 PATTERN**

A3..A0		0000	0001	0010	0011	0100	0101	0110	0111	1000	1001	1010	1011	1100	1101	1110	1111
A6..A4		D8..D0	D8..D0	D8..D0	D8..D0	D8..D0	D8..D0	D8..D0	D8..D0	D8..D0	D8..D0	D8..D0	D8..D0	D8..D0	D8..D0	D8..D0	D8..D0
000	RO																
	..																
	RB																
001	RO																
	..																
	RB																
010	RO																
	..																
	RB																
011	RO																
	..																
	RB																
100	RO																
	..																
	RB																
101	RO																
	..																
	RB																
110	RO																
	..																
	RB																
111	RO																
	..																
	RB																

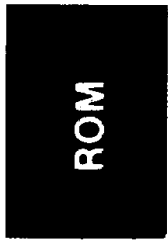
** Shifted characters are not used.

DataSheet4U.com

FIGURE 12 – MCM66740 PATTERN

A3..A0		0000	0001	0010	0011	0100	0101	0110	0111	1000	1001	1010	1011	1100	1101	1110	1111
A6..A4		D8..D0	D8..D0	D8..D0	D8..D0	D8..D0	D8..D0	D8..D0	D8..D0	D8..D0	D8..D0	D8..D0	D8..D0	D8..D0	D8..D0	D8..D0	D8..D0
000	RO																
	..																
	RB																
001	RO																
	..																
	RB																
010	RO																
	..																
	RB																
011	RO																
	..																
	RB																
100	RO																
	..																
	RB																
101	RO																
	..																
	RB																
110	RO																
	..																
	RB																
111	RO																
	..																
	RB																

▣ = Shifted character. The character is shifted three rows to R3 at the top of the font and R11 at the bottom.



MCM66700

FIGURE 13 – MCM66750 PATTERN

A3 .. A0	0000		0001		0010		0011		0100		0101		0110		0111		1000		1001		1010		1011		1100		1101		1110		1111	
	D6 .. D0	D6 .. D0	D6 .. D0	D6 .. D0	D6 .. D0	D6 .. D0	D6 .. D0	D6 .. D0	D6 .. D0	D6 .. D0	D6 .. D0	D6 .. D0	D6 .. D0	D6 .. D0	D6 .. D0	D6 .. D0	D6 .. D0	D6 .. D0	D6 .. D0	D6 .. D0	D6 .. D0	D6 .. D0	D6 .. D0	D6 .. D0	D6 .. D0	D6 .. D0	D6 .. D0	D6 .. D0	D6 .. D0	D6 .. D0	D6 .. D0	
A6 .. A4	R0
000	R0	...	R8	001	R0	...	R8	010	R0	...	R8	011	R0	...	R8	100	R0	...	R8	101	R0	...	R8	110	R0	...	R8	111	R0	...	R8	

- Shifted character. The character is shifted three rows to R3 at the top of the font and R11 at the bottom.

MCM66751 – Same as MCM66750 except CS1 = 0, CS2 = 0, CS3 = X, and CS4 = X.

FIGURE 14 – MCM66760 PATTERN

A3 .. A0	0000		0001		0010		0011		0100		0101		0110		0111		1000		1001		1010		1011		1100		1101		1110		1111	
	D6 .. D0	D6 .. D0	D6 .. D0	D6 .. D0	D6 .. D0	D6 .. D0	D6 .. D0	D6 .. D0	D6 .. D0	D6 .. D0	D6 .. D0	D6 .. D0	D6 .. D0	D6 .. D0	D6 .. D0	D6 .. D0	D6 .. D0	D6 .. D0	D6 .. D0	D6 .. D0	D6 .. D0	D6 .. D0	D6 .. D0	D6 .. D0	D6 .. D0	D6 .. D0	D6 .. D0	D6 .. D0	D6 .. D0	D6 .. D0	D6 .. D0	
A6 .. A4	R0	
																																R8
000	R0	...	R8	001	R0	...	R8	010	R0	...	R8	011	R0	...	R8	100	R0	...	R8	101	R0	...	R8	110	R0	...	R8	111	R0	...	R8	

- Shifted character. The character is shifted three rows to R3 at the top of the font and R11 at the bottom.

ROM

MCM66700

FIGURE 15 - MCM66770 PATTERN

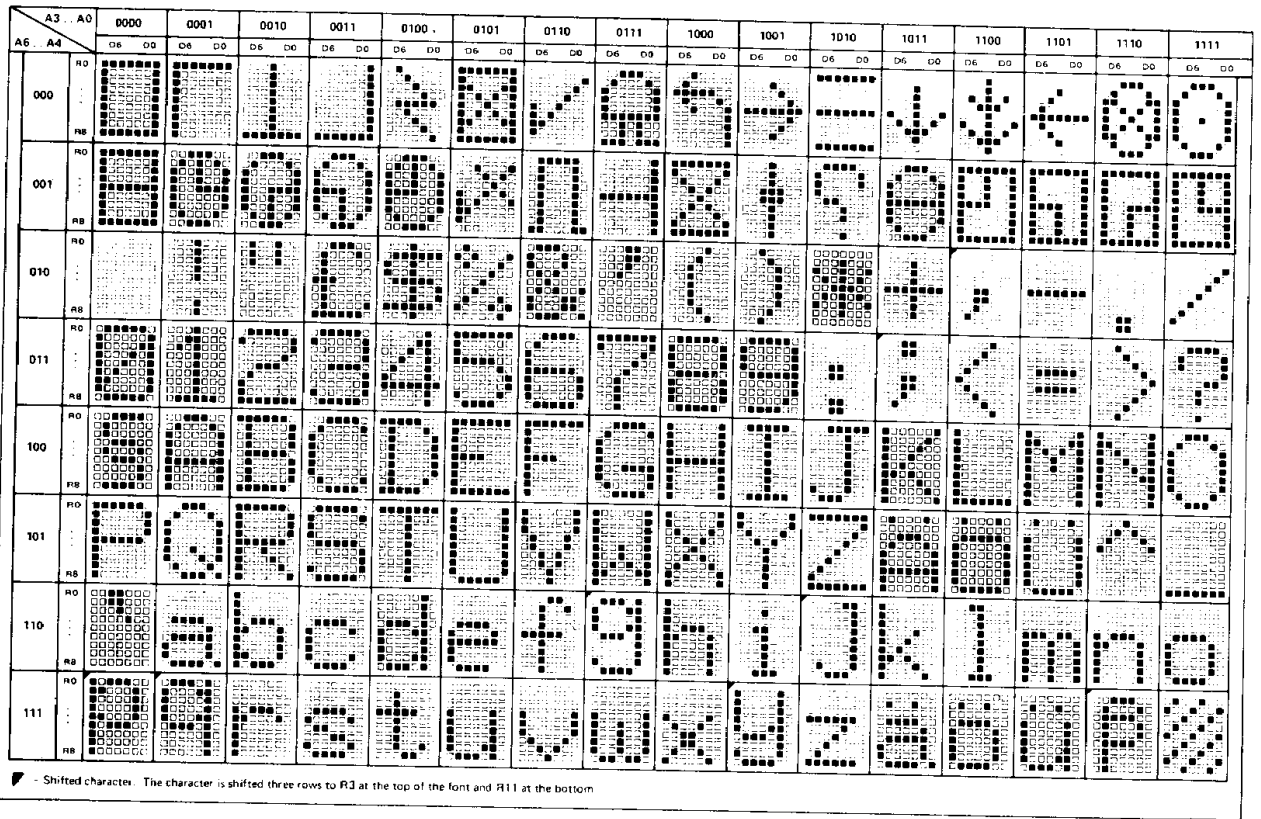
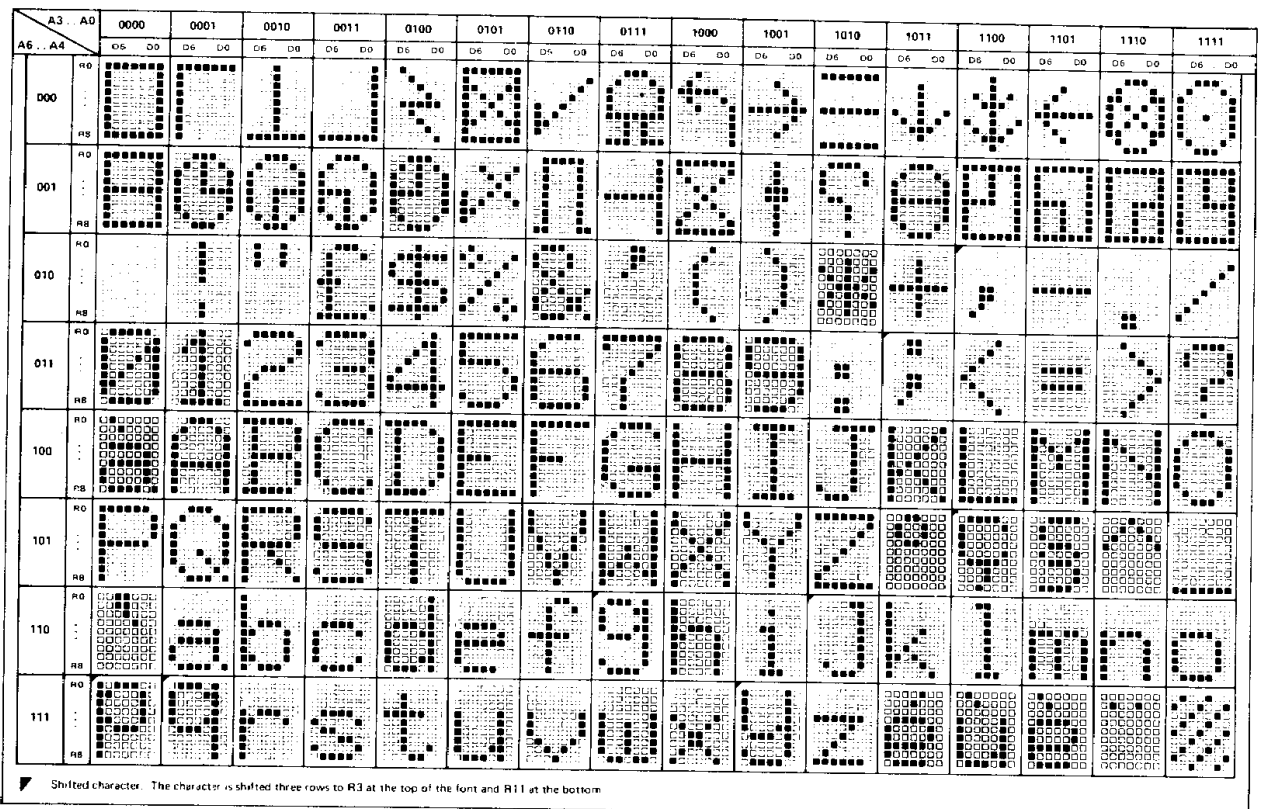


FIGURE 16 - MCM66780 PATTERN




ROM

MCM66700

FIGURE 17 – MCM66790 PATTERN

		A3	A0	0000	0001	0010	0011	0100	0101	0110	0111	1000	1001	1010	1011	1100	1101	1110	1111
A6	A4			1b 10	1b 10	1b 10	1b 10	1b 10	1b 10	1b 10	1b 10	1b 10	1b 10	1b 10	1b 10	1b 10	1b 10	1b 10	1b 10
	000	R0	R8	[Pattern]	[Pattern]	[Pattern]	[Pattern]	[Pattern]	[Pattern]	[Pattern]	[Pattern]	[Pattern]	[Pattern]	[Pattern]	[Pattern]	[Pattern]	[Pattern]	[Pattern]	[Pattern]
	001	R0	R8	[Pattern]	[Pattern]	[Pattern]	[Pattern]	[Pattern]	[Pattern]	[Pattern]	[Pattern]	[Pattern]	[Pattern]	[Pattern]	[Pattern]	[Pattern]	[Pattern]	[Pattern]	[Pattern]
	010	R0	R8	[Pattern]	[Pattern]	[Pattern]	[Pattern]	[Pattern]	[Pattern]	[Pattern]	[Pattern]	[Pattern]	[Pattern]	[Pattern]	[Pattern]	[Pattern]	[Pattern]	[Pattern]	[Pattern]
	011	R0	R8	[Pattern]	[Pattern]	[Pattern]	[Pattern]	[Pattern]	[Pattern]	[Pattern]	[Pattern]	[Pattern]	[Pattern]	[Pattern]	[Pattern]	[Pattern]	[Pattern]	[Pattern]	[Pattern]
	100	R0	R8	[Pattern]	[Pattern]	[Pattern]	[Pattern]	[Pattern]	[Pattern]	[Pattern]	[Pattern]	[Pattern]	[Pattern]	[Pattern]	[Pattern]	[Pattern]	[Pattern]	[Pattern]	[Pattern]
	101	R0	R8	[Pattern]	[Pattern]	[Pattern]	[Pattern]	[Pattern]	[Pattern]	[Pattern]	[Pattern]	[Pattern]	[Pattern]	[Pattern]	[Pattern]	[Pattern]	[Pattern]	[Pattern]	[Pattern]
	110	R0	R8	[Pattern]	[Pattern]	[Pattern]	[Pattern]	[Pattern]	[Pattern]	[Pattern]	[Pattern]	[Pattern]	[Pattern]	[Pattern]	[Pattern]	[Pattern]	[Pattern]	[Pattern]	[Pattern]
	111	R0	R8	[Pattern]	[Pattern]	[Pattern]	[Pattern]	[Pattern]	[Pattern]	[Pattern]	[Pattern]	[Pattern]	[Pattern]	[Pattern]	[Pattern]	[Pattern]	[Pattern]	[Pattern]	[Pattern]

 = Shifted character. The character is shifted three rows to R3 at the top of the font and R11 at the bottom.



MCM66700

MCM6570 Series	MCM66700 Equivalent	Description	MCM66700 Series Pin Assignment				MCM6570 Series Pin Assignment			
MCM6571	MCM66710	ASCII, shifted	1	CS3	RS3	24	1	V _{BB}	RS3	24
MCM6571A	MCM66714	ASCII, shifted	2	V _{CC}	RS2	23	2	V _{CC}	RS2	23
MCM6572	MCM66720	ASCII	3	CS4	RS1	22	3	V _{DD}	RS1	22
MCM6573	MCM66730	Japanese	4	A6	RS0	21	4	A6	RS0	21
MCM6573A	MCM66734	Japanese	5	D5	D6	20	5	D5	D6	20
MCM6574	MCM66740	Math Symbols	6	D3	D4	19	6	D3	D4	19
MCM6575	MCM66750	Alphanumeric Control	7	D1	D2	18	7	D1	D2	18
MCM6576	MCM66760	British, shifted	8	A5	D0	17	8	A5	D0	17
MCM6577	MCM66770	German, shifted	9	A4	A1	16	9	A4	A1	16
MCM6578	MCM66780	French, shifted	10	CS1	A0	15	10	N.C.	A0	15
MCM6579	MCM66790	European, shifted	11	A3	CS2	14	11	A3	N.C.	14
			12	A2	V _{SS}	13	12	A2	V _{SS}	13

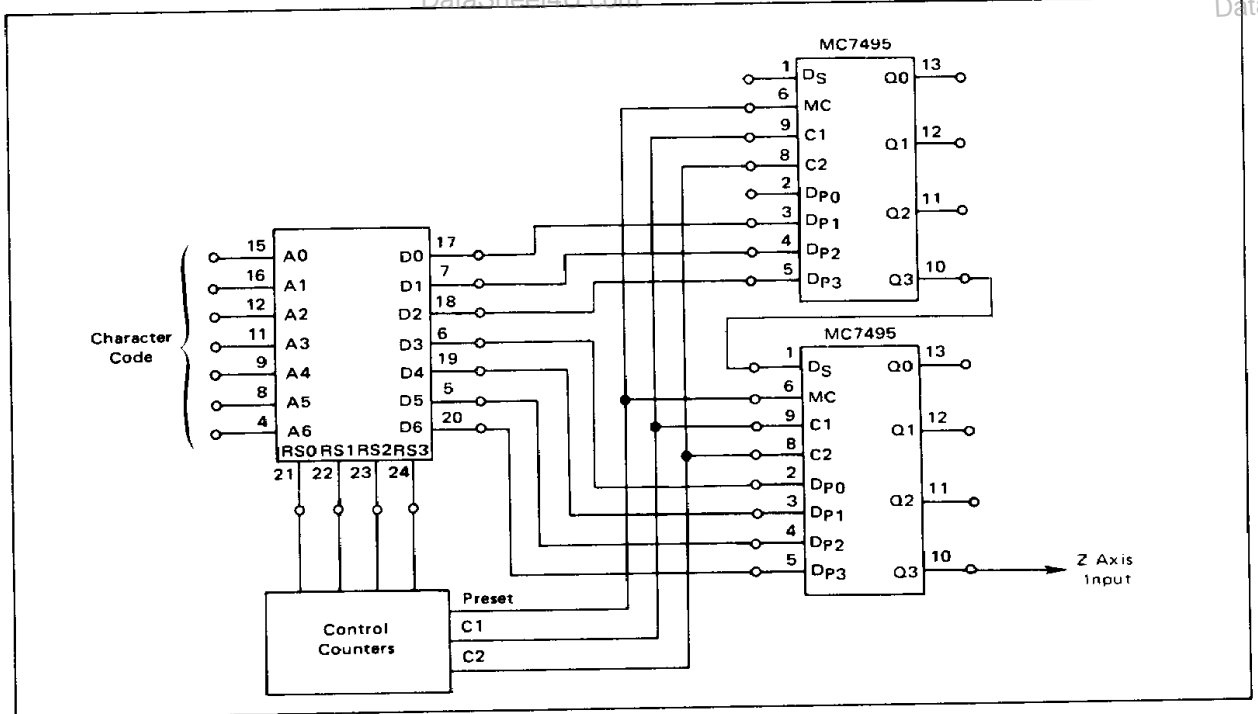
APPLICATIONS INFORMATION

One important application for the MCM66700 series is in CRT display systems (Figure 18). A set of buffer shift registers or random access memories applies a 7-bit character code to the input of the character generator, which then supplies one row of the character according to the count at the four row select inputs. As each row is available, it is put into the TTL MC7495 shift registers. The parallel information in these shift registers is clocked

serially out to the Z-axis where it modulates the raster to form the character.

The MCM66700 series require one power supply of +5.0 volts. When powering this device from laboratory or system power supplies, it is important that the Absolute Maximum Ratings not be exceeded or device failure can result. Some power supplies exhibit spikes or glitches on their outputs when the ac power is switched on and off.

FIGURE 18 - CRT DISPLAY APPLICATION USING MCM66710



MCM66700

The formats below are given for your convenience in preparing character information for MCM66700 programming. **THESE FORMATS ARE NOT TO BE USED TO TRANSMIT THE INFORMATION TO MOTOROLA.** Refer to the Custom Programming instructions for detailed procedures.

Character Number _____

	MSB				LSB				HEX	
R										
R										
R										
R										
R										
R										
R										
R										
R										
R										
	S	D6	D4	D3	D0					

Character Number _____

	MSB				LSB				HEX	
R										
R										
R										
R										
R										
R										
R										
R										
R										
R										
R										
	S	D6	D4	D3	D0					

Character Number _____

	MSB				LSB				HEX	
R										
R										
R										
R										
R										
R										
R										
R										
R										
R										
R										
	S	D6	D4	D3	D0					

Character Number _____

	MSB				LSB				HEX	
R										
R										
R										
R										
R										
R										
R										
R										
R										
R										
	S	D6	D4	D3	D0					

Character Number _____

	MSB				LSB				HEX	
R										
R										
R										
R										
R										
R										
R										
R										
R										
R										
	S	D6	D4	D3	D0					

Character Number _____

	MSB				LSB				HEX	
R										
R										
R										
R										
R										
R										
R										
R										
R										
R										
	S	D6	D4	D3	D0					

Character Number _____

	MSB				LSB				HEX	
R										
R										
R										
R										
R										
R										
R										
R										
R										
R										
	S	D6	D4	D3	D0					

Character Number _____

	MSB				LSB				HEX	
R										
R										
R										
R										
R										
R										
R										
R										
R										
R										
	S	D6	D4	D3	D0					

Character Number _____

	MSB				LSB				HEX	
R										
R										
R										
R										
R										
R										
R										
R										
R										
R										
	S	D6	D4	D3	D0					

ROM