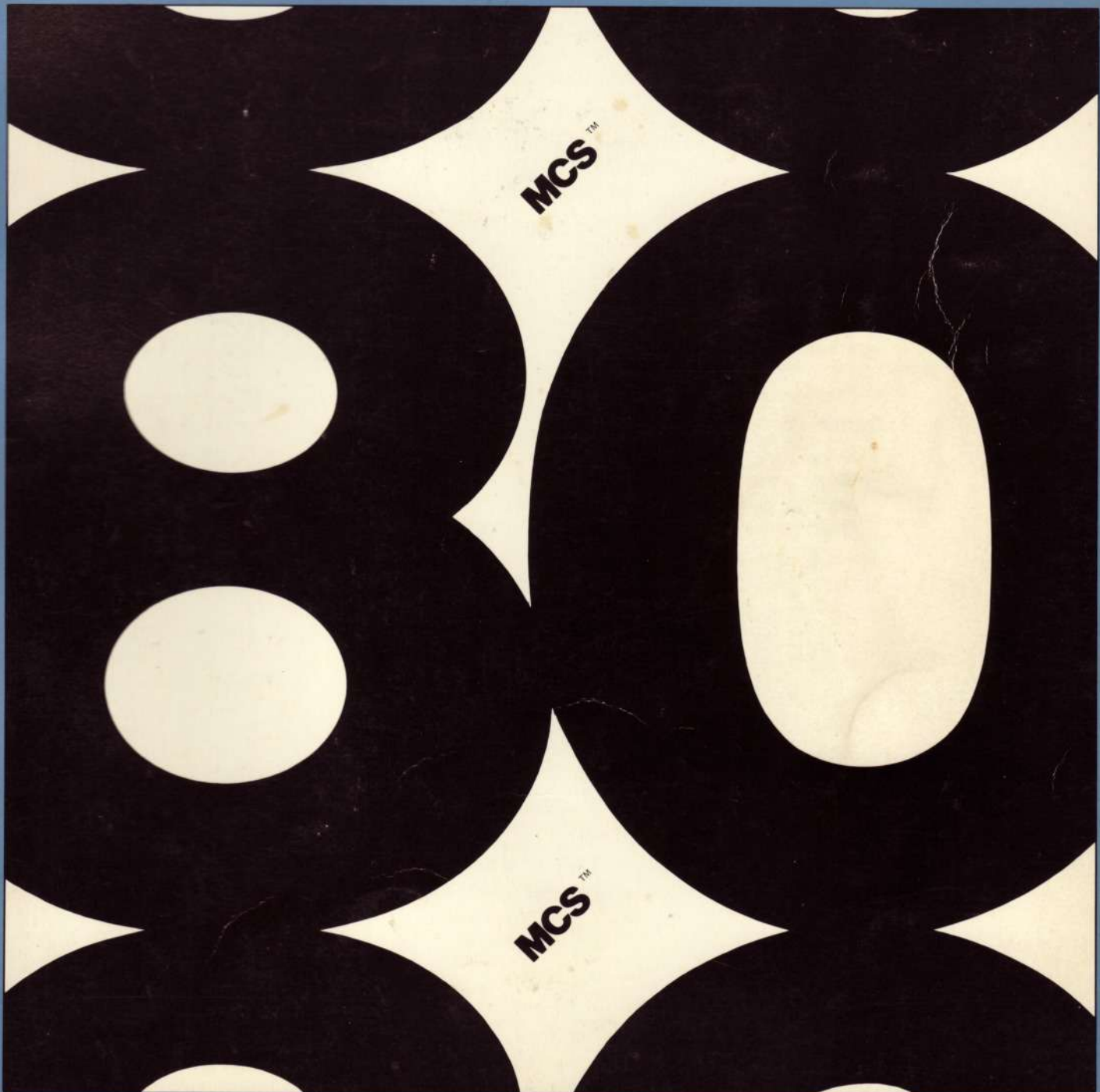


intel
8080
Microcomputer
Systems
User's Manual
September 1975



intel
8080
Microcomputer
Systems
User's Manual
September 1975

In December 1973 Intel shipped the first 8-bit, N-channel microprocessor, the 8080. Since then it has become the most widely used microprocessor in the industry. Applications of the 8080 span from large, intelligent systems terminals to decompression computers for deep sea divers.

This 8080 Microcomputer Systems User's Manual presents all of the 8080 system components. Over twenty-five devices are described in detail. These new devices further enhance the 8080 system:

8080A — 8-Bit Central Processor Unit

Functionally and Electrically Compatible with the 8080.
TTL Drive Capability.
Enhanced Timing.

8224 — Clock Generator for 8080A.

Single 16 Pin (DIP) Package.
Auxiliary Timing Functions.
Power-On Reset.

8228 — System Controller for 8080A.

Single 28 Pin (DIP) Package.
Single Interrupt Vector (RST 7).
Multi-Byte Interrupt Instruction Capability (e.g. CALL).
Direct Data and Control Bus Connect to all 8080 System I/O
and Memory Components.

8251 — Programmable Communication Interface.

ASYNCR or SYNC (including IBM bi-SYNC).
Single 28 Pin Package.
Single +5 Volt Power Supply.

8255 — Programmable Peripheral Interface.

Three 8-Bit Ports.
Bit Set/Reset Capability.
Interrupt Generation.
Single 40 Pin Package.
Single +5 Volt Power Supply.

In addition, new memory components include: 8708, 8K Erasable PROM; 8316A, High Density Mask ROM; and 5101, Low Power CMOS RAM.

intel[®] **Microcomputers. First from the beginning.**

**8080
Microcomputer
Systems
User's Manual**
September 1975

D. STEVENS

CONTENTS

INTRODUCTION			
General	i		
Advantages of Designing with Microcomputers . . .	ii		
Microcomputer Design Aids	iii		
Application Example	iii		
Application Table	iv		
CHAPTER 1 – THE FUNCTIONS OF A COMPUTER			
A Typical Computer System	1-1		
The Architecture of a CPU	1-1		
Computer Operations	1-3		
CHAPTER 2 – THE 8080 CENTRAL PROCESSING UNIT			
General	2-1		
Architecture of the 8080 CPU	2-2		
The Processor Cycle	2-3		
Interrupt Sequences	2-11		
Hold Sequences	2-12		
Halt Sequences	2-13		
Start-up of the 8080 CPU	2-13		
CHAPTER 3 – INTERFACING THE 8080			
General	3-1		
Basic System Operation	3-1		
CPU Module Design	3-2		
Interfacing the 8080 to Memory and I/O Devices	3-6		
CHAPTER 4 – INSTRUCTION SET			
General		4-1	
Data Transfer Group		4-4	
Arithmetic Group		4-6	
Branch Group		4-11	
Stack, I/O and Machine Control Group		4-13	
Summary Table		4-15	
CHAPTER 5 – 8080 MICROCOMPUTER SYSTEM COMPONENTS			
CPU Group			
8224 Clock Generator			
Functional Description and System Applications		5-1	
Data Sheet		5-4	
8228 System Controller			
Functional Description and System Applications		5-7	
Data Sheet		5-11	
8080A Central Processor			
Data Sheet		5-13	
8080A-1 Central Processor (1.3 μ s)			
Data Sheet		5-20	
8080A-2 Central Processor (1.5 μ s)			
Data Sheet		5-24	
M8080A Central Processor (-55° to +125°C)			
Data Sheet		5-29	

ROMs

8702A Erasable PROM (256 x 8)	
Data Sheet	5-37
8708/8704 Erasable PROM (1K x 8)	
Data Sheet	5-45
8302 Mask ROM (256 x 8)	
Data Sheet	5-51
8308 Mask ROM (1K x 8)	
Data Sheet	5-59
8316A Mask ROM (2K x 8)	
Data Sheet	5-61

RAMs

8101-2 Static RAM (256 x 4)	
Data Sheet	5-67
8111-2 Static RAM (256 x 4)	
Data Sheet	5-71
8102-2 Static RAM (1K x 1)	
Data Sheet	5-75
8102A-4 Static RAM (1K x 1)	
Data Sheet	5-79
8107B-4 Dynamic RAM (4K x 1)	
Data Sheet	5-83
5101 Static CMOS RAM (256 x 4)	
Data Sheet	5-91
8210 Dynamic RAM Driver	
Data Sheet	5-95
8222 Dynamic RAM Refresh Controller	
New Product Announcement	5-99

I/O

8212 8-Bit I/O Port	
Functional Description	5-101
System Applications of the 8212	5-103
Data Sheet	5-109

8255 Programmable Peripheral Interface

Basic Functional Description	5-113
Detailed Operational Description	5-116
System Applications of the 8255	5-127
Data Sheet	5-130

8251 Programmable Communication Interface

Basic Functional Description	5-135
Detailed Operational Description	5-139
System Applications of the 8251	5-143
Data Sheet	5-144

Peripherals

8205 One of 8 Decoder	
Functional Description	5-147
System Applications of the 8205	5-149
Data Sheet	5-151
8214 Priority Interrupt Control Unit	
Interrupts in Microcomputer Systems	5-153
Functional Description	5-155
System Applications of the 8214	5-157
Data Sheet	5-160
8216/8226 4-Bit Bi-Directional Bus Driver	
Functional Description	5-163
System Applications of the 8216/8226	5-165
Data Sheet	5-166

Coming Soon

8253 Programmable Interval Timer	5-169
8257 Programmable DMA Controller	5-171
8259 Programmable Interrupt Controller	5-173

**CHAPTER 6 –
PACKAGING INFORMATION. 6-1**

INTRODUCTION

Since their inception, digital computers have continuously become more efficient, expanding into new applications with each major technological improvement. The advent of minicomputers enabled the inclusion of digital computers as a permanent part of various process control systems. Unfortunately, the size and cost of minicomputers in "dedicated" applications has limited their use. Another approach has been the use of custom built systems made up of "random logic" (i.e., logic gates, flip-flops, counters, etc.). However, the huge expense and development time involved in the design and debugging of these systems has restricted their use to large volume applications where the development costs could be spread over a large number of machines.

Today, Intel offers the systems designer a new alternative . . . **the microcomputer**. Utilizing the technologies and experience gained in becoming the world's largest supplier of LSI memory components, Intel has made the power of the digital computer available at the integrated circuit level. Using the n-channel silicon gate MOS process, Intel engineers have implemented the fast (2 μ s. cycle) and powerful (72 basic instructions) 8080 microprocessor on a single LSI chip. When this processor is combined with memory and I/O circuits, the computer is complete. Intel offers a variety of random-access memory (RAM), read-only memory (ROM) and shift register circuits, that combine with the 8080 processor to form the MCS-80 microcomputer system, a system that can directly address and retrieve as many as 65,536 bytes stored in the memory devices.

The 8080 processor is packaged in a 40-pin dual in-line package (DIP) that allows for remarkably easy interfacing. The 8080 has a 16-bit address bus, a 8-bit bidirectional data bus and fully decoded, TTL-compatible control outputs. In addition to supporting up to 64K bytes of mixed RAM and ROM memory, the 8080 can address up to 256 input ports and 256 output ports; thus allowing for virtually unlimited system expansion. The 8080 instruction set includes conditional branching, decimal as well as binary arithmetic,

logical, register-to-register, stack control and memory reference instructions. In fact, the 8080 instruction set is powerful enough to rival the performance of many of the much higher priced minicomputers, yet the 8080 is upward software compatible with Intel's earlier 8008 microprocessor (i.e., programs written for the 8008 can be assembled and executed on the 8080).

In addition to an extensive instruction set oriented to problem solving, the 8080 has another significant feature—SPEED. In contrast to random logic designs which tend to work in parallel, the microcomputer works by sequentially executing its program. As a result of this sequential execution, the number of tasks a microcomputer can undertake in a given period of time is directly proportional to the execution speed of the microcomputer. The speed of execution is the limiting factor of the realm of applications of the microcomputer. The 8080, with instruction times as short as 2 μ sec., is an order of magnitude faster than earlier generations of microcomputers, and therefore has an expanded field of potential applications.

The architecture of the 8080 also shows a significant improvement over earlier microcomputer designs. The 8080 contains a 16-bit stack pointer that controls the addressing of an external stack located in memory. The pointer can be initialized via the proper instructions such that any portion of external memory can be used as a last in/first out stack; thus enabling almost unlimited subroutine nesting. The stack pointer allows the contents of the program counter, the accumulator, the condition flags or any of the data registers to be stored in or retrieved from the external stack. In addition, multi-level interrupt processing is possible using the 8080's stack control instructions. The status of the processor can be "pushed" onto the stack when an interrupt is accepted, then "popped" off the stack after the interrupt has been serviced. This ability to save the contents of the processor's registers is possible even if an interrupt service routine, itself, is interrupted.

	CONVENTIONAL SYSTEM	PROGRAMMED LOGIC
Product definition System and logic design	Done with logic diagrams	Simplified because of ease of incorporating features Can be programmed with design aids (compilers, assemblers, editors)
Debug	Done with conventional Lab Instrumentation	Software and hardware aids reduce time
PC card layout Documentation Cooling and packaging		Fewer cards to layout Less hardware to document Reduced system size and power consumption eases job
Power distribution Engineering changes	Done with yellow wire	Less power to distribute Change program

Table 0-1. The Advantages of Using Microprocessors

ADVANTAGES OF DESIGNING WITH MICROCOMPUTERS

Microcomputers simplify almost every phase of product development. The first step, as in any product development program, is to identify the various functions that the end system is expected to perform. Instead of realizing these functions with networks of gates and flip-flops, the functions are implemented by encoding suitable sequences of instructions (programs) in the memory elements. Data and certain types of programs are stored in RAM, while the basic program can be stored in ROM. The microprocessor performs all of the system's functions by fetching the instructions in memory, executing them and communicating the results via the microcomputer's I/O ports. An 8080 microprocessor, executing the programmed logic stored in a single 2048-byte ROM element, can perform the same logical functions that might have previously required up to 1000 logic gates.

The benefits of designing a microcomputer into your system go far beyond the advantages of merely simplifying product development. You will also appreciate the profit-making advantages of using a microcomputer in place of custom-designed random logic. The most apparent advantage is the significant savings in hardware costs. A microcomputer chip set replaces dozens of random logic elements, thus reducing the cost as well as the size of your system. In addition, production costs drop as the number of individual components to be handled decreases, and the number of complex printed circuit boards (which are difficult to layout, test and correct) is greatly reduced. Probably the most profitable advantage of a microcomputer is its flexibility for change. To modify your system, you merely re-program the memory elements; you don't have to redesign the entire system. You can imagine the savings in time and money when you want to upgrade your product. Reliability is another reason to choose the microcomputer over random logic. As the number of components decreases, the probability of a malfunctioning element likewise decreases. All

of the logical control functions formerly performed by numerous hardware components can now be implemented in a few ROM circuits which are non-volatile; that is, the contents of ROM will never be lost, even in the event of a power failure. Table 0-1 summarizes many of the advantages of using microcomputers.

MICROCOMPUTER DESIGN AIDS

If you're used to logic design and the idea of designing with programmed logic seems like too radical a change, regardless of advantages, there's no need to worry because Intel has already done most of the groundwork for you. The INTELLEC[®] 8 Development Systems provide flexible, inexpensive and simplified methods for OEM product development. The INTELLEC[®] 8 provides RAM program storage making program loading and modification easier, a display and control console for system monitoring and debugging, a standard TTY interface, a PROM programming capability and a standard software package (System Monitor, Assembler and Test Editor). In addition to the standard software package available with the INTELLEC[®] 8, Intel offers a PL/M[™] compiler, a cross-assembler and a simulator written in FORTRAN IV and designed to run on any large scale computer. These programs may be procured directly from Intel or from a number of nationwide computer time-sharing services. Intel's Microcomputer Systems Group is always available to provide assistance in every phase of your product development.

Intel also provides complete documentation on all their hardware and software products. In addition to this User's Manual, there are the:

- PL/M[™] Language Reference Manual
- 8080 Assembly Language Programming Manual
- INTELLEC[®] 8/MOD 80 Operator's Manual
- INTELLEC[®] 8/MOD 80 Hardware Reference Manual
- 8080 User's Program Library

APPLICATIONS EXAMPLE

The 8080 can be used as the basis for a wide variety of calculation and control systems. The system configurations for particular applications will differ in the nature of the peripheral devices used and in the amount and the type of memory required. The applications and solutions described in this section are presented primarily to show how microcomputers can be used to solve design problems. The 8080 should not be considered limited either in scope or performance to those applications listed here.

Consider an 8080 microcomputer used within an automatic computing scale for a supermarket. The basic machine has two input devices: the weighing unit and a keyboard, used for function selection and to enter the price per unit of weight. The only output device is a display showing the total price, although a ticket printer might be added as an optional output device.

The control unit must accept weight information from the weighing unit, function and data inputs from the keyboard, and generate the display. The only arithmetic function to be performed is a simple multiplication of weight times rate.

The control unit could probably be realized with standard TTL logic. State diagrams for the various portions could be drawn and a multiplier unit designed. The whole design could then be tied together, and eventually reduced to a selection of packages and a printed circuit board layout. In effect, when designing with a logic family such as TTL, the designs are "customized" by the choice of packages and the wiring of the logic.

If, however, an 8080 microcomputer is used to realize

the control unit (as shown in Figure 0-1), the only "custom" logic will be that of the interface circuits. These circuits are usually quite simple, providing electrical buffering for the input and output signals.

Instead of drawing state diagrams leading to logic, the system designer now prepares a flow chart, indicating which input signals must be read, what processing and computations are needed, and what output signals must be produced. A program is written from the flow chart. The program is then assembled into bit patterns which are loaded into the program memory. Thus, this system is customized primarily by the contents of program memory.

For this automatic scale, the program would probably reside in read-only memory (ROM), since the microcomputer would always execute the same program, the one which implements the scale functions. The processor would constantly monitor the keyboard and weighing unit, and update the display whenever necessary. The unit would require very little data memory; it would only be needed for rate storage, intermediate results, and for storing a copy of the display.

When the control portion of a product is implemented with a microcomputer chip set, functions can be changed and features added merely by altering the program in memory. With a TTL based system, however, alterations may require extensive rewiring, alteration of PC boards, etc.

The number of applications for microcomputers is limited only by the depth of the designer's imagination. We have listed a few potential applications in Table 0-2, along with the types of peripheral devices usually associated with each product.

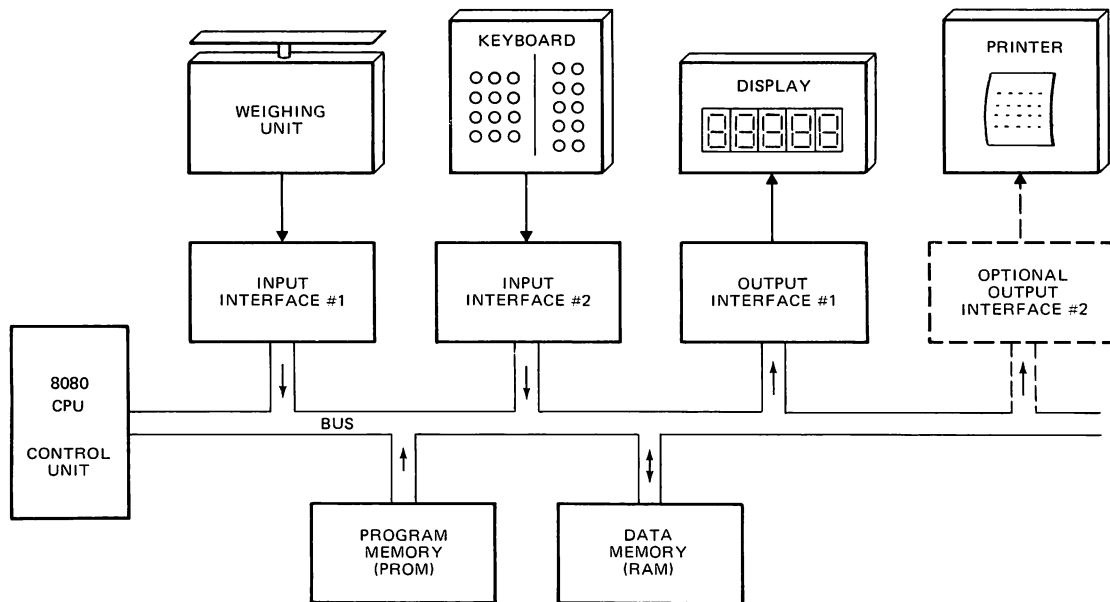


Figure 0-1. Microcomputer Application – Automatic Scale

APPLICATION	PERIPHERAL DEVICES ENCOUNTERED
Intelligent Terminals	Cathode Ray Tube Display Printing Units Synchronous and Asynchronous data lines Cassette Tape Unit Keyboards
Gaming Machines	Keyboards, pushbuttons and switches Various display devices Coin acceptors Coin dispensers
Cash Registers	Keyboard or Input Switch Array Change Dispenser Digital Display Ticket Printer Magnetic Card reader Communication interface
Accounting and Billing Machines	Keyboard Printer Unit Cassette or other magnetic tape unit "Floppy" disks
Telephone Switching Control	Telephone Line Scanner Analog Switching Network Dial Registers Class of Service Parcel
Numerically Controlled Machines	Magnetic or Paper Tape Reader Stepper Motors Optical Shaft Encoders
Process Control	Analog-to-Digital Converters Digital-to-Analog Converters Control Switches Displays

Table 0-2. Microprocessor Applications

CHAPTER 1 THE FUNCTIONS OF A COMPUTER

This chapter introduces certain basic computer concepts. It provides background information and definitions which will be useful in later chapters of this manual. Those already familiar with computers may skip this material, at their option.

A TYPICAL COMPUTER SYSTEM

A typical digital computer consists of:

- a) A central processor unit (CPU)
- b) A memory
- c) Input/output (I/O) ports

The memory serves as a place to store **Instructions**, the coded pieces of information that direct the activities of the CPU, and **Data**, the coded pieces of information that are processed by the CPU. A group of logically related instructions stored in memory is referred to as a **Program**. The CPU "reads" each instruction from memory in a logically determined sequence, and uses it to initiate processing actions. If the program sequence is coherent and logical, processing the program will produce intelligible and useful results.

The memory is also used to store the data to be manipulated, as well as the instructions that direct that manipulation. The program must be organized such that the CPU does not read a non-instruction word when it expects to see an instruction. The CPU can rapidly access any data stored in memory; but often the memory is not large enough to store the entire data bank required for a particular application. The problem can be resolved by providing the computer with one or more **Input Ports**. The CPU can address these ports and input the data contained there. The addition of input ports enables the computer to receive information from external equipment (such as a paper tape reader or floppy disk) at high rates of speed and in large volumes.

A computer also requires one or more **Output Ports** that permit the CPU to communicate the result of its processing to the outside world. The output may go to a display, for use by a human operator, to a peripheral device that produces "hard-copy," such as a line-printer, to a

peripheral storage device, such as a floppy disk unit, or the output may constitute process control signals that direct the operations of another system, such as an automated assembly line. Like input ports, output ports are addressable. The input and output ports together permit the processor to communicate with the outside world.

The CPU unifies the system. It controls the functions performed by the other components. The CPU must be able to fetch instructions from memory, decode their binary contents and execute them. It must also be able to reference memory and I/O ports as necessary in the execution of instructions. In addition, the CPU should be able to recognize and respond to certain external control signals, such as INTERRUPT and WAIT requests. The functional units within a CPU that enable it to perform these functions are described below.

THE ARCHITECTURE OF A CPU

A typical central processor unit (CPU) consists of the following interconnected functional units:

- Registers
- Arithmetic/Logic Unit (ALU)
- Control Circuitry

Registers are temporary storage units within the CPU. Some registers, such as the program counter and instruction register, have dedicated uses. Other registers, such as the accumulator, are for more general purpose use.

Accumulator:

The accumulator usually stores one of the operands to be manipulated by the ALU. A typical instruction might direct the ALU to add the contents of some other register to the contents of the accumulator and store the result in the accumulator itself. In general, the accumulator is both a source (operand) and a destination (result) register.

Often a CPU will include a number of additional general purpose registers that can be used to store operands or intermediate data. The availability of general purpose

registers eliminates the need to “shuffle” intermediate results back and forth between memory and the accumulator, thus improving processing speed and efficiency.

Program Counter (Jumps, Subroutines and the Stack):

The instructions that make up a program are stored in the system’s memory. The central processor references the contents of memory, in order to determine what action is appropriate. This means that the processor must know which location contains the next instruction.

Each of the locations in memory is numbered, to distinguish it from all other locations in memory. The number which identifies a memory location is called its **Address**.

The processor maintains a counter which contains the address of the next program instruction. This register is called the **Program Counter**. The processor updates the program counter by adding “1” to the counter each time it fetches an instruction, so that the program counter is always current (pointing to the next instruction).

The programmer therefore stores his instructions in numerically adjacent addresses, so that the lower addresses contain the first instructions to be executed and the higher addresses contain later instructions. The only time the programmer may violate this sequential rule is when an instruction in one section of memory is a **Jump** instruction to another section of memory.

A jump instruction contains the address of the instruction which is to follow it. The next instruction may be stored in any memory location, as long as the programmed jump specifies the correct address. During the execution of a jump instruction, the processor replaces the contents of its program counter with the address embodied in the Jump. Thus, the logical continuity of the program is maintained.

A special kind of program jump occurs when the stored program “**Calls**” a subroutine. In this kind of jump, the processor is required to “remember” the contents of the program counter at the time that the jump occurs. This enables the processor to resume execution of the main program when it is finished with the last instruction of the subroutine.

A **Subroutine** is a program within a program. Usually it is a general-purpose set of instructions that must be executed repeatedly in the course of a main program. Routines which calculate the square, the sine, or the logarithm of a program variable are good examples of functions often written as subroutines. Other examples might be programs designed for inputting or outputting data to a particular peripheral device.

The processor has a special way of handling subroutines, in order to insure an orderly return to the main program. When the processor receives a Call instruction, it increments the Program Counter and stores the counter’s contents in a reserved memory area known as the **Stack**. The Stack thus saves the address of the instruction to be executed after the subroutine is completed. Then the pro-

cessor loads the address specified in the Call into its Program Counter. The next instruction fetched will therefore be the first step of the subroutine.

The last instruction in any subroutine is a **Return**. Such an instruction need specify no address. When the processor fetches a Return instruction, it simply replaces the current contents of the Program Counter with the address on the top of the stack. This causes the processor to resume execution of the calling program at the point immediately following the original Call Instruction.

Subroutines are often **Nested**; that is, one subroutine will sometimes call a second subroutine. The second may call a third, and so on. This is perfectly acceptable, as long as the processor has enough capacity to store the necessary return addresses, and the logical provision for doing so. In other words, the maximum depth of nesting is determined by the depth of the stack itself. If the stack has space for storing three return addresses, then three levels of subroutines may be accommodated.

Processors have different ways of maintaining stacks. Some have facilities for the storage of return addresses built into the processor itself. Other processors use a reserved area of external memory as the stack and simply maintain a **Pointer** register which contains the address of the most recent stack entry. The external stack allows virtually unlimited subroutine nesting. In addition, if the processor provides instructions that cause the contents of the accumulator and other general purpose registers to be “pushed” onto the stack or “popped” off the stack via the address stored in the stack pointer, multi-level interrupt processing (described later in this chapter) is possible. The status of the processor (i.e., the contents of all the registers) can be saved in the stack when an interrupt is accepted and then restored after the interrupt has been serviced. This ability to save the processor’s status at any given time is possible even if an interrupt service routine, itself, is interrupted.

Instruction Register and Decoder:

Every computer has a **Word Length** that is characteristic of that machine. A computer’s word length is usually determined by the size of its internal storage elements and interconnecting paths (referred to as **Busses**); for example, a computer whose registers and busses can store and transfer 8 bits of information has a characteristic word length of 8-bits and is referred to as an 8-bit parallel processor. An eight-bit parallel processor generally finds it most efficient to deal with eight-bit binary fields, and the memory associated with such a processor is therefore organized to store eight bits in each addressable memory location. Data and instructions are stored in memory as eight-bit binary numbers, or as numbers that are integral multiples of eight bits: 16 bits, 24 bits, and so on. This characteristic eight-bit field is often referred to as a **Byte**.

Each operation that the processor can perform is identified by a unique byte of data known as an **Instruction**

Code or Operation Code. An eight-bit word used as an instruction code can distinguish between 256 alternative actions, more than adequate for most processors.

The processor fetches an instruction in two distinct operations. First, the processor transmits the address in its Program Counter to the memory. Then the memory returns the addressed byte to the processor. The CPU stores this instruction byte in a register known as the **Instruction Register**, and uses it to direct activities during the remainder of the instruction execution.

The mechanism by which the processor translates an instruction code into specific processing actions requires more elaboration than we can here afford. The concept, however, should be intuitively clear to any logic designer. The eight bits stored in the instruction register can be decoded and used to selectively activate one of a number of output lines, in this case up to 256 lines. Each line represents a set of activities associated with execution of a particular instruction code. The enabled line can be combined with selected timing pulses, to develop electrical signals that can then be used to initiate specific actions. This translation of code into action is performed by the **Instruction Decoder** and by the associated control circuitry.

An eight-bit instruction code is often sufficient to specify a particular processing action. There are times, however, when execution of the instruction requires more information than eight bits can convey.

One example of this is when the instruction references a memory location. The basic instruction code identifies the operation to be performed, but cannot specify the object address as well. In a case like this, a two- or three-byte instruction must be used. Successive instruction bytes are stored in sequentially adjacent memory locations, and the processor performs two or three fetches in succession to obtain the full instruction. The first byte retrieved from memory is placed in the processor's instruction register, and subsequent bytes are placed in temporary storage; the processor then proceeds with the execution phase. Such an instruction is referred to as **Variable Length**.

Address Register(s):

A CPU may use a register or register-pair to hold the address of a memory location that is to be accessed for data. If the address register is **Programmable**, (i.e., if there are instructions that allow the programmer to alter the contents of the register) the program can "build" an address in the address register prior to executing a **Memory Reference** instruction (i.e., an instruction that reads data from memory, writes data to memory or operates on data stored in memory).

Arithmetic/Logic Unit (ALU):

All processors contain an arithmetic/logic unit, which is often referred to simply as the **ALU**. The ALU, as its name implies, is that portion of the CPU hardware which

performs the arithmetic and logical operations on the binary data.

The ALU must contain an **Adder** which is capable of combining the contents of two registers in accordance with the logic of binary arithmetic. This provision permits the processor to perform arithmetic manipulations on the data it obtains from memory and from its other inputs.

Using only the basic adder a capable programmer can write routines which will subtract, multiply and divide, giving the machine complete arithmetic capabilities. In practice, however, most ALUs provide other built-in functions, including hardware subtraction, boolean logic operations, and shift capabilities.

The ALU contains **Flag Bits** which specify certain conditions that arise in the course of arithmetic and logical manipulations. Flags typically include **Carry**, **Zero**, **Sign**, and **Parity**. It is possible to program jumps which are conditionally dependent on the status of one or more flags. Thus, for example, the program may be designed to jump to a special routine if the carry bit is set following an addition instruction.

Control Circuitry:

The control circuitry is the primary functional unit within a CPU. Using clock inputs, the control circuitry maintains the proper sequence of events required for any processing task. After an instruction is fetched and decoded, the control circuitry issues the appropriate signals (to units both internal and external to the CPU) for initiating the proper processing action. Often the control circuitry will be capable of responding to external signals, such as an interrupt or wait request. An **Interrupt** request will cause the control circuitry to temporarily interrupt main program execution, jump to a special routine to service the interrupting device, then automatically return to the main program. A **Wait** request is often issued by a memory or I/O element that operates slower than the CPU. The control circuitry will idle the CPU until the memory or I/O port is ready with the data.

COMPUTER OPERATIONS

There are certain operations that are basic to almost any computer. A sound understanding of these basic operations is a necessary prerequisite to examining the specific operations of a particular computer.

Timing:

The activities of the central processor are cyclical. The processor fetches an instruction, performs the operations required, fetches the next instruction, and so on. This orderly sequence of events requires precise timing, and the CPU therefore requires a free running oscillator clock which furnishes the reference for all processor actions. The combined fetch and execution of a single instruction is referred to as an **Instruction Cycle**. The portion of a cycle identified

with a clearly defined activity is called a **State**. And the interval between pulses of the timing oscillator is referred to as a **Clock Period**. As a general rule, one or more clock periods are necessary for the completion of a state, and there are several states in a cycle.

Instruction Fetch:

The first state(s) of any instruction cycle will be dedicated to fetching the next instruction. The CPU issues a read signal and the contents of the program counter are sent to memory, which responds by returning the next instruction word. The first byte of the instruction is placed in the instruction register. If the instruction consists of more than one byte, additional states are required to fetch each byte of the instruction. When the entire instruction is present in the CPU, the program counter is incremented (in preparation for the next instruction fetch) and the instruction is decoded. The operation specified in the instruction will be executed in the remaining states of the instruction cycle. The instruction may call for a memory read or write, an input or output and/or an internal CPU operation, such as a register-to-register transfer or an add-registers operation.

Memory Read:

An instruction **fetch** is merely a special memory read operation that brings the instruction to the CPU's instruction register. The instruction fetched may then call for data to be read from memory into the CPU. The CPU again issues a read signal and sends the proper memory address; memory responds by returning the requested word. The data received is placed in the accumulator or one of the other general purpose registers (not the instruction register).

Memory Write:

A memory write operation is similar to a read except for the direction of data flow. The CPU issues a write signal, sends the proper memory address, then sends the data word to be written into the addressed memory location.

Wait (memory synchronization):

As previously stated, the activities of the processor are timed by a master clock oscillator. The clock period determines the timing of all processing activity.

The speed of the processing cycle, however, is limited by the memory's **Access Time**. Once the processor has sent a read address to memory, it cannot proceed until the memory has had time to respond. Most memories are capable of responding much faster than the processing cycle requires. A few, however, cannot supply the addressed byte within the minimum time established by the processor's clock.

Therefore a processor should contain a synchronization provision, which permits the memory to request a **Wait state**. When the memory receives a read or write enable signal, it places a request signal on the processor's **READY** line, causing the CPU to idle temporarily. After the memory has

had time to respond, it frees the processor's **READY** line, and the instruction cycle proceeds.

Input/Output:

Input and Output operations are similar to memory read and write operations with the exception that a peripheral I/O device is addressed instead of a memory location. The CPU issues the appropriate input or output control signal, sends the proper device address and either receives the data being input or sends the data to be output.

Data can be input/output in either parallel or serial form. All data within a digital computer is represented in binary coded form. A binary data word consists of a group of bits; each bit is either a one or a zero. **Parallel I/O** consists of transferring all bits in the word at the same time, one bit per line. **Serial I/O** consists of transferring one bit at a time on a single line. Naturally serial I/O is much slower, but it requires considerably less hardware than does parallel I/O.

Interrupts:

Interrupt provisions are included on many central processors, as a means of improving the processor's efficiency. Consider the case of a computer that is processing a large volume of data, portions of which are to be output to a printer. The CPU can output a byte of data within a single machine cycle but it may take the printer the equivalent of many machine cycles to actually print the character specified by the data byte. The CPU could then remain idle waiting until the printer can accept the next data byte. If an interrupt capability is implemented on the computer, the CPU can output a data byte then return to data processing. When the printer is ready to accept the next data byte, it can request an interrupt. When the CPU acknowledges the interrupt, it suspends main program execution and automatically branches to a routine that will output the next data byte. After the byte is output, the CPU continues with main program execution. Note that this is, in principle, quite similar to a subroutine call, except that the jump is initiated externally rather than by the program.

More complex interrupt structures are possible, in which several interrupting devices share the same processor but have different priority levels. Interruptive processing is an important feature that enables maximum utilization of a processor's capacity for high system throughput.

Hold:

Another important feature that improves the throughput of a processor is the **Hold**. The hold provision enables **Direct Memory Access (DMA)** operations.

In ordinary input and output operations, the processor itself supervises the entire data transfer. Information to be placed in memory is transferred from the input device to the processor, and then from the processor to the designated memory location. In similar fashion, information that goes

from memory to output devices goes by way of the processor.

Some peripheral devices, however, are capable of transferring information to and from memory much faster than the processor itself can accomplish the transfer. If any appreciable quantity of data must be transferred to or from such a device, then **system throughput** will be increased by

having the device accomplish the transfer directly. The processor must temporarily suspend its operation during such a transfer, to prevent conflicts that would arise if processor and peripheral device attempted to access memory simultaneously. It is for this reason that a **hold** provision is included on some processors.

CHAPTER 2 THE 8080 CENTRAL PROCESSOR UNIT

The 8080 is a complete 8-bit parallel, central processor unit (CPU) for use in general purpose digital computer systems. It is fabricated on a single LSI chip (see Figure 2-1), using Intel's n-channel silicon gate MOS process. The 8080 transfers data and internal state information via an 8-bit, bidirectional 3-state Data Bus (D₀-D₇). Memory and peripheral device addresses are transmitted over a separate 16-

bit 3-state Address Bus (A₀-A₁₅). Six timing and control outputs (SYNC, DBIN, WAIT, WR, HLDA and INT) emanate from the 8080, while four control inputs (READY, HOLD, INT and RESET), four power inputs (+12v, +5v, -5v, and GND) and two clock inputs (ϕ_1 and ϕ_2) are accepted by the 8080.

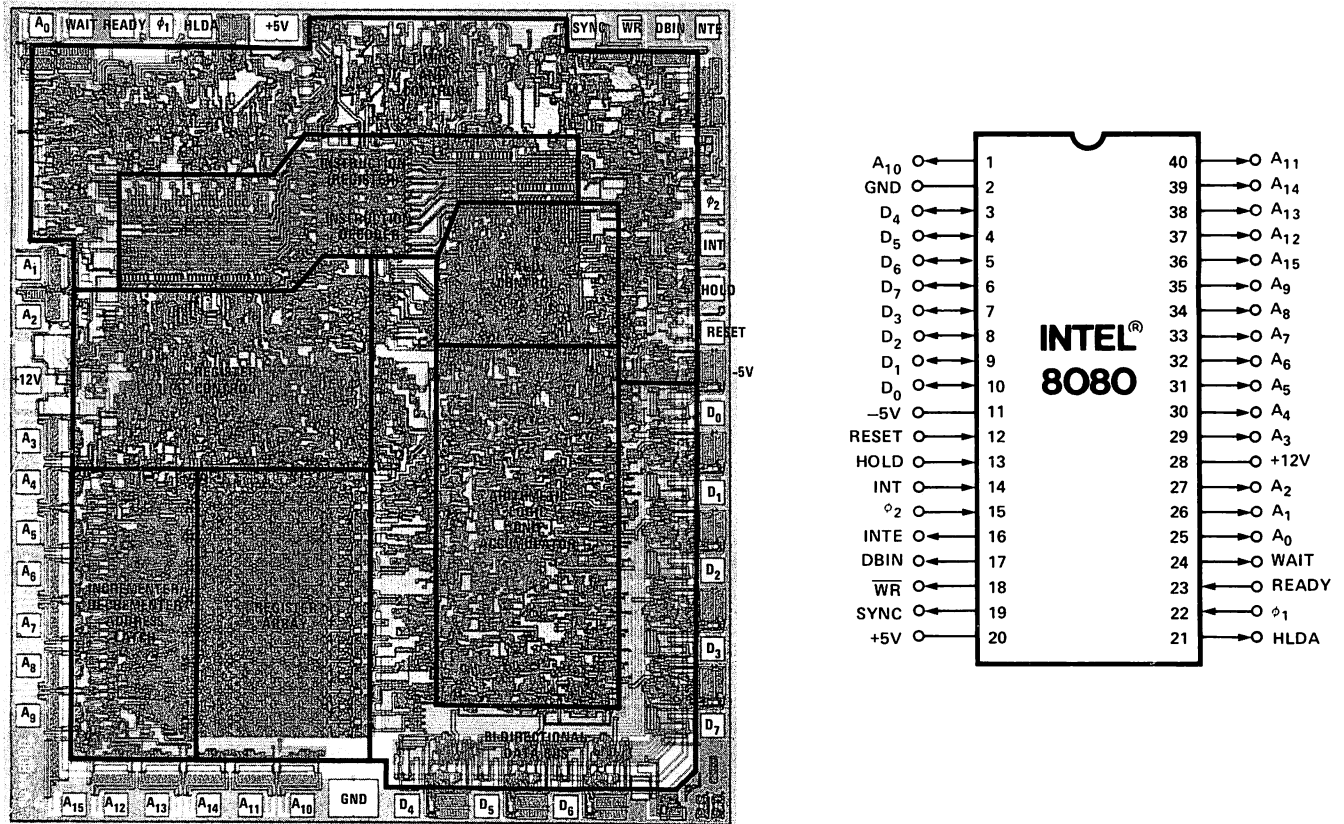


Figure 2-1. 8080 Photomicrograph With Pin Designations

ARCHITECTURE OF THE 8080 CPU

The 8080 CPU consists of the following functional units:

- Register array and address logic
- Arithmetic and logic unit (ALU)
- Instruction register and control section
- Bi-directional, 3-state data bus buffer

Figure 2-2 illustrates the functional blocks within the 8080 CPU.

Registers:

The register section consists of a static RAM array organized into six 16-bit registers:

- Program counter (PC)
- Stack pointer (SP)
- Six 8-bit general purpose registers arranged in pairs, referred to as B,C; D,E; and H,L
- A temporary register pair called W,Z

The program counter maintains the memory address of the current program instruction and is incremented auto-

matically during every instruction fetch. The stack pointer maintains the address of the next available stack location in memory. The stack pointer can be initialized to use any portion of read-write memory as a stack. The stack pointer is decremented when data is "pushed" onto the stack and incremented when data is "popped" off the stack (i.e., the stack grows "downward").

The six general purpose registers can be used either as single registers (8-bit) or as register pairs (16-bit). The temporary register pair, W,Z, is not program addressable and is only used for the internal execution of instructions.

Eight-bit data bytes can be transferred between the internal bus and the register array via the register-select multiplexer. Sixteen-bit transfers can proceed between the register array and the address latch or the incrementer/decrementer circuit. The address latch receives data from any of the three register pairs and drives the 16 address output buffers (A₀-A₁₅), as well as the incrementer/decrementer circuit. The incrementer/decrementer circuit receives data from the address latch and sends it to the register array. The 16-bit data can be incremented or decremented or simply transferred between registers.

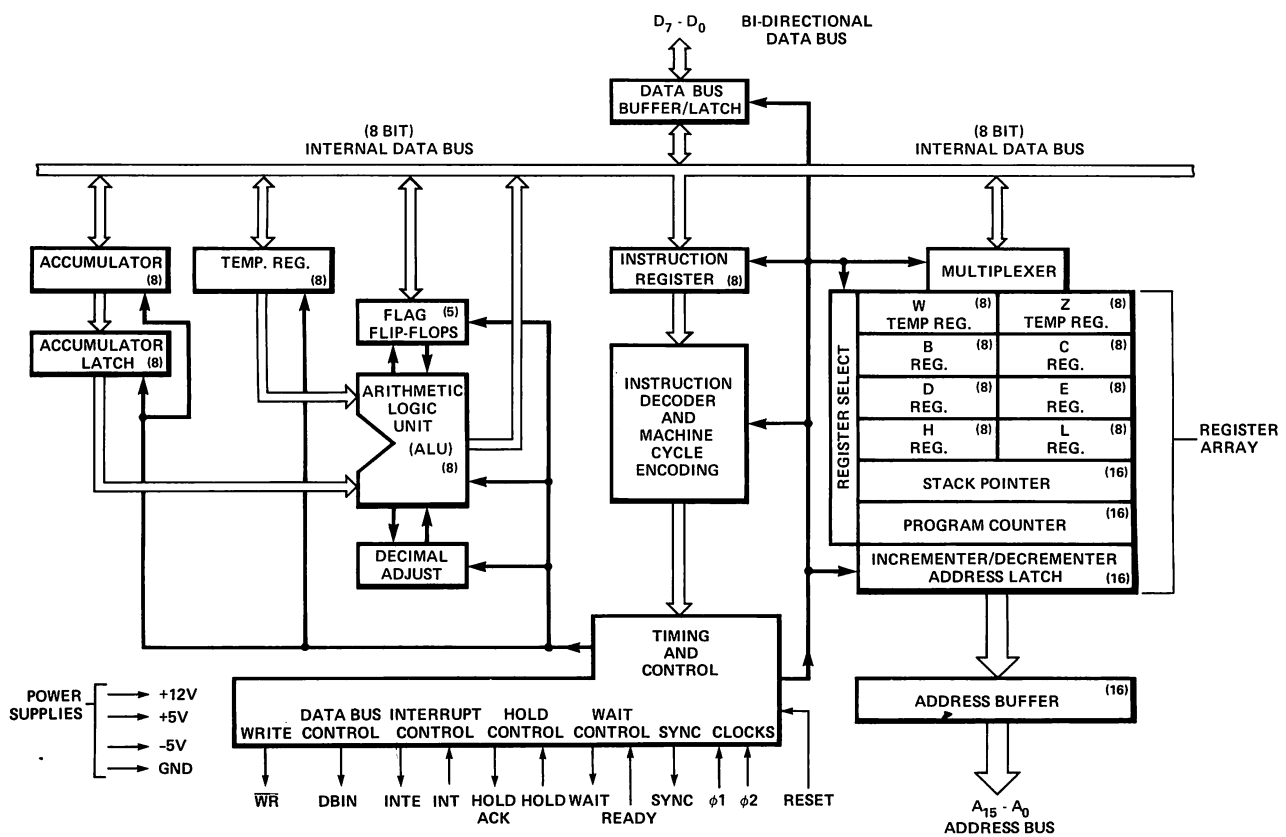


Figure 2-2. 8080 CPU Functional Block Diagram

Arithmetic and Logic Unit (ALU):

The ALU contains the following registers:

- An 8-bit accumulator
- An 8-bit temporary accumulator (ACT)
- A 5-bit flag register: zero, carry, sign, parity and auxiliary carry
- An 8-bit temporary register (TMP)

Arithmetic, logical and rotate operations are performed in the ALU. The ALU is fed by the temporary register (TMP) and the temporary accumulator (ACT) and carry flip-flop. The result of the operation can be transferred to the internal bus or to the accumulator; the ALU also feeds the flag register.

The temporary register (TMP) receives information from the internal bus and can send all or portions of it to the ALU, the flag register and the internal bus.

The accumulator (ACC) can be loaded from the ALU and the internal bus and can transfer data to the temporary accumulator (ACT) and the internal bus. The contents of the accumulator (ACC) and the auxiliary carry flip-flop can be tested for decimal correction during the execution of the DAA instruction (see Chapter 4).

Instruction Register and Control:

During an instruction fetch, the first byte of an instruction (containing the OP code) is transferred from the internal bus to the 8-bit instruction register.

The contents of the instruction register are, in turn, available to the instruction decoder. The output of the decoder, combined with various timing signals, provides the control signals for the register array, ALU and data buffer blocks. In addition, the outputs from the instruction decoder and external control signals feed the timing and state control section which generates the state and cycle timing signals.

Data Bus Buffer:

This 8-bit bidirectional 3-state buffer is used to isolate the CPU's internal bus from the external data bus. (D₀ through D₇). In the output mode, the internal bus content is loaded into an 8-bit latch that, in turn, drives the data bus output buffers. The output buffers are switched off during input or non-transfer operations.

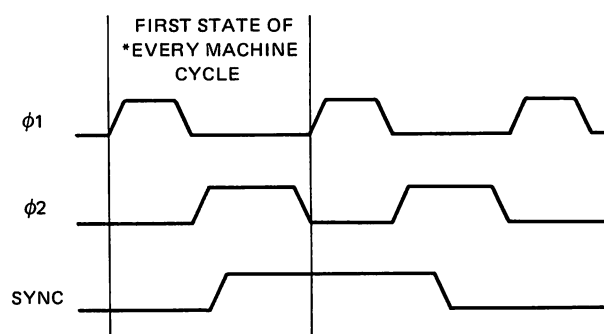
During the input mode, data from the external data bus is transferred to the internal bus. The internal bus is pre-charged at the beginning of each internal state, except for the transfer state (T₃—described later in this chapter).

THE PROCESSOR CYCLE

An **instruction cycle** is defined as the time required to fetch and execute an instruction. During the fetch, a selected instruction (one, two or three bytes) is extracted from memory and deposited in the CPU's instruction register. During the execution phase, the instruction is decoded and translated into specific processing activities.

Every instruction cycle consists of one, two, three, four or five machine cycles. A **machine cycle** is required each time the CPU accesses memory or an I/O port. The fetch portion of an instruction cycle requires one machine cycle for each byte to be fetched. The duration of the execution portion of the instruction cycle depends on the kind of instruction that has been fetched. Some instructions do not require any machine cycles other than those necessary to fetch the instruction; other instructions, however, require additional machine cycles to write or read data to/from memory or I/O devices. The DAD instruction is an exception in that it requires two additional machine cycles to complete an internal register-pair add (see Chapter 4).

Each machine cycle consists of three, four or five states. A state is the smallest unit of processing activity and is defined as the interval between two successive positive-going transitions of the ϕ_1 driven clock pulse. The 8080 is driven by a two-phase clock oscillator. All processing activities are referred to the period of this clock. The two non-overlapping clock pulses, labeled ϕ_1 and ϕ_2 , are furnished by external circuitry. It is the ϕ_1 clock pulse which divides each machine cycle into states. Timing logic within the 8080 uses the clock inputs to produce a SYNC pulse, which identifies the beginning of every machine cycle. The SYNC pulse is triggered by the low-to-high transition of ϕ_2 , as shown in Figure 2-3.



*SYNC DOES NOT OCCUR IN THE SECOND AND THIRD MACHINE CYCLES OF A DAD INSTRUCTION SINCE THESE MACHINE CYCLES ARE USED FOR AN INTERNAL REGISTER-PAIR ADD.

Figure 2-3. ϕ_1 , ϕ_2 And SYNC Timing

There are three exceptions to the defined duration of a state. They are the WAIT state, the hold (HLDA) state and the halt (HLTA) state, described later in this chapter. Because the WAIT, the HLDA, and the HLTA states depend upon external events, they are by their nature of indeterminate length. Even these exceptional states, however, must

be synchronized with the pulses of the driving clock. Thus, the duration of all states are integral multiples of the clock period.

To summarize then, each **clock period** marks a **state**; three to five states constitute a machine cycle; and one to five **machine cycles** comprise an **instruction cycle**. A full instruction cycle requires anywhere from four to eighteen states for its completion, depending on the kind of instruction involved.

Machine Cycle Identification:

With the exception of the DAD instruction, there is just one consideration that determines how many machine cycles are required in any given instruction cycle: the number of times that the processor must reference a memory address or an addressable peripheral device, in order to fetch and execute the instruction. Like many processors, the 8080 is so constructed that it can transmit only one address per machine cycle. Thus, if the fetch and execution of an instruction requires two memory references, then the instruction cycle associated with that instruction consists of two machine cycles. If five such references are called for, then the instruction cycle contains five machine cycles.

Every instruction cycle has at least one reference to memory, during which the instruction is fetched. An instruction cycle must always have a fetch, even if the execution of the instruction requires no further references to memory. The first machine cycle in every instruction cycle is therefore a **FETCH**. Beyond that, there are no fast rules. It depends on the kind of instruction that is fetched.

Consider some examples. The add-register (**ADD r**) instruction is an instruction that requires only a single machine cycle (**FETCH**) for its completion. In this one-byte instruction, the contents of one of the CPU's six general purpose registers is added to the existing contents of the accumulator. Since all the information necessary to execute the command is contained in the eight bits of the instruction code, only one memory reference is necessary. Three states are used to extract the instruction from memory, and one additional state is used to accomplish the desired addition. The entire instruction cycle thus requires only one machine cycle that consists of four states, or four periods of the external clock.

Suppose now, however, that we wish to add the contents of a specific memory location to the existing contents of the accumulator (**ADD M**). Although this is quite similar in principle to the example just cited, several additional steps will be used. An extra machine cycle will be used, in order to address the desired memory location.

The actual sequence is as follows. First the processor extracts from memory the one-byte instruction word addressed by its program counter. This takes three states. The eight-bit instruction word obtained during the **FETCH** machine cycle is deposited in the CPU's instruction register and used to direct activities during the remainder of the instruction cycle. Next, the processor sends out, as an address,

the contents of its H and L registers. The eight-bit data word returned during this **MEMORY READ** machine cycle is placed in a temporary register inside the 8080 CPU. By now three more clock periods (states) have elapsed. In the seventh and final state, the contents of the temporary register are added to those of the accumulator. Two machine cycles, consisting of seven states in all, complete the "**ADD M**" instruction cycle.

At the opposite extreme is the save H and L registers (**SHLD**) instruction, which requires five machine cycles. During an "**SHLD**" instruction cycle, the contents of the processor's H and L registers are deposited in two sequentially adjacent memory locations; the destination is indicated by two address bytes which are stored in the two memory locations immediately following the operation code byte. The following sequence of events occurs:

- (1) A **FETCH** machine cycle, consisting of four states. During the first three states of this machine cycle, the processor fetches the instruction indicated by its program counter. The program counter is then incremented. The fourth state is used for internal instruction decoding.
- (2) A **MEMORY READ** machine cycle, consisting of three states. During this machine cycle, the byte indicated by the program counter is read from memory and placed in the processor's Z register. The program counter is incremented again.
- (3) Another **MEMORY READ** machine cycle, consisting of three states, in which the byte indicated by the processor's program counter is read from memory and placed in the W register. The program counter is incremented, in anticipation of the next instruction fetch.
- (4) A **MEMORY WRITE** machine cycle, of three states, in which the contents of the L register are transferred to the memory location pointed to by the present contents of the W and Z registers. The state following the transfer is used to increment the W,Z register pair so that it indicates the next memory location to receive data.
- (5) A **MEMORY WRITE** machine cycle, of three states, in which the contents of the H register are transferred to the new memory location pointed to by the W,Z register pair.

In summary, the "**SHLD**" instruction cycle contains five machine cycles and takes 16 states to execute.

Most instructions fall somewhere between the extremes typified by the "**ADD r**" and the "**SHLD**" instructions. The input (**INP**) and the output (**OUT**) instructions, for example, require three machine cycles: a **FETCH**, to obtain the instruction; a **MEMORY READ**, to obtain the address of the object peripheral; and an **INPUT** or an **OUTPUT** machine cycle, to complete the transfer.

While no one instruction cycle will consist of more than five machine cycles, the following ten different types of machine cycles may occur within an instruction cycle:

- (1) FETCH (M1)
- (2) MEMORY READ
- (3) MEMORY WRITE
- (4) STACK READ
- (5) STACK WRITE
- (6) INPUT
- (7) OUTPUT
- (8) INTERRUPT
- (9) HALT
- (10) HALT • INTERRUPT

The machine cycles that actually do occur in a particular instruction cycle depend upon the kind of instruction, with the overriding stipulation that the first machine cycle in any instruction cycle is always a FETCH.

The processor identifies the machine cycle in progress by transmitting an eight-bit status word during the first state of every machine cycle. Updated status information is presented on the 8080's data lines (D₀-D₇), during the SYNC interval. This data should be saved in latches, and used to develop control signals for external circuitry. Table 2-1 shows how the positive-true status information is distributed on the processor's data bus.

Status signals are provided principally for the control of external circuitry. Simplicity of interface, rather than machine cycle identification, dictates the logical definition of individual status bits. You will therefore observe that certain processor machine cycles are uniquely identified by a single status bit, but that others are not. The M₁ status bit (D₆), for example, unambiguously identifies a FETCH machine cycle. A STACK READ, on the other hand, is indicated by the coincidence of STACK and MEMR signals. Machine cycle identification data is also valuable in the test and de-bugging phases of system development. Table 2-1 lists the status bit outputs for each type of machine cycle.

State Transition Sequence:

Every machine cycle within an instruction cycle consists of three to five active states (referred to as T₁, T₂, T₃, T₄, T₅ or T_W). The actual number of states depends upon the instruction being executed, and on the particular machine cycle within the greater instruction cycle. The state transition diagram in Figure 2-4 shows how the 8080 proceeds from state to state in the course of a machine cycle. The diagram also shows how the READY, HOLD, and INTERRUPT lines are sampled during the machine cycle, and how the conditions on these lines may modify the

basic transition sequence. In the present discussion, we are concerned only with the basic sequence and with the READY function. The HOLD and INTERRUPT functions will be discussed later.

The 8080 CPU does not directly indicate its internal state by transmitting a "state control" output during each state; instead, the 8080 supplies direct control output (INTE, HLDA, DBIN, \overline{WR} and WAIT) for use by external circuitry.

Recall that the 8080 passes through at least three states in every machine cycle, with each state defined by successive low-to-high transitions of the ϕ_1 clock. Figure 2-5 shows the timing relationships in a typical FETCH machine cycle. Events that occur in each state are referenced to transitions of the ϕ_1 and ϕ_2 clock pulses.

The SYNC signal identifies the first state (T₁) in every machine cycle. As shown in Figure 2-5, the SYNC signal is related to the leading edge of the ϕ_2 clock. There is a delay (t_{DC}) between the low-to-high transition of ϕ_2 and the positive-going edge of the SYNC pulse. There also is a corresponding delay (also t_{DC}) between the next ϕ_2 pulse and the falling edge of the SYNC signal. Status information is displayed on D₀-D₇ during the same ϕ_2 to ϕ_2 interval. Switching of the status signals is likewise controlled by ϕ_2 .

The rising edge of ϕ_2 during T₁ also loads the processor's address lines (A₀-A₁₅). These lines become stable within a brief delay (t_{DA}) of the ϕ_2 clocking pulse, and they remain stable until the first ϕ_2 pulse after state T₃. This gives the processor ample time to read the data returned from memory.

Once the processor has sent an address to memory, there is an opportunity for the memory to request a WAIT. This it does by pulling the processor's READY line low, prior to the "Ready set-up" interval (t_{RS}) which occurs during the ϕ_2 pulse within state T₂ or T_W. As long as the READY line remains low, the processor will idle, giving the memory time to respond to the addressed data request. Refer to Figure 2-5.

The processor responds to a wait request by entering an alternative state (T_W) at the end of T₂, rather than proceeding directly to the T₃ state. Entry into the T_W state is indicated by a WAIT signal from the processor, acknowledging the memory's request. A low-to-high transition on the WAIT line is triggered by the rising edge of the ϕ_1 clock and occurs within a brief delay (t_{DC}) of the actual entry into the T_W state.

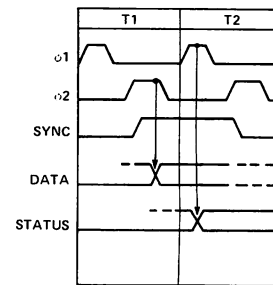
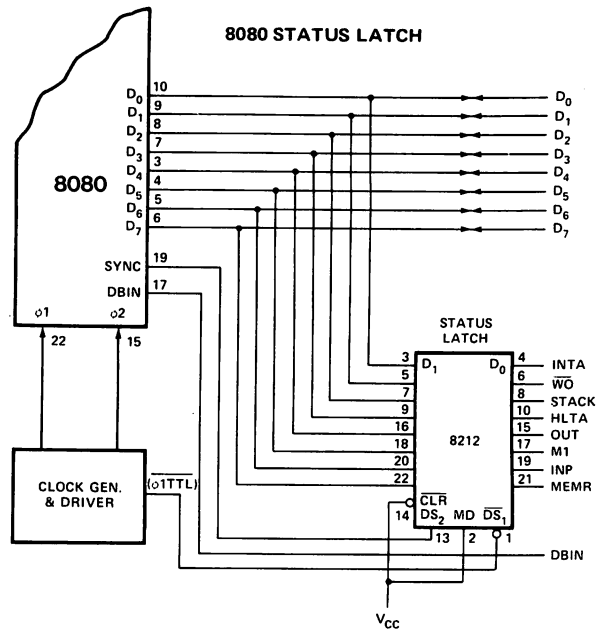
A wait period may be of indefinite duration. The processor remains in the waiting condition until its READY line again goes high. A READY indication **must** precede the falling edge of the ϕ_2 clock by a specified interval (t_{RS}), in order to guarantee an exit from the T_W state. The cycle may then proceed, beginning with the rising edge of the next ϕ_1 clock. A WAIT interval will therefore consist of an integral number of T_W states and will always be a multiple of the clock period.

Instructions for the 8080 require from one to five machine cycles for complete execution. The 8080 sends out 8 bit of status information on the data bus at the beginning of each machine cycle (during SYNC time). The following table defines the status information.

STATUS INFORMATION DEFINITION

Symbols	Data Bus Bit	Definition
INTA*	D ₀	Acknowledge signal for INTERRUPT request. Signal should be used to gate a restart instruction onto the data bus when DBIN is active.
$\overline{W\bar{O}}$	D ₁	Indicates that the operation in the current machine cycle will be a WRITE memory or OUTPUT function ($\overline{W\bar{O}} = 0$). Otherwise, a READ memory or INPUT operation will be executed.
STACK	D ₂	Indicates that the address bus holds the pushdown stack address from the Stack Pointer.
HLTA OUT	D ₃ D ₄	Acknowledge signal for HALT instruction. Indicates that the address bus contains the address of an output device and the data bus will contain the output data when $\overline{W\bar{R}}$ is active.
M ₁	D ₅	Provides a signal to indicate that the CPU is in the fetch cycle for the first byte of an instruction.
INP*	D ₆	Indicates that the address bus contains the address of an input device and the input data should be placed on the data bus when DBIN is active.
MEMR*	D ₇	Designates that the data bus will be used for memory read data.

*These three status bits can be used to control the flow of data onto the 8080 data bus.



STATUS WORD CHART

DATA BUS BIT		TYPE OF MACHINE CYCLE									
		①	②	③	④	⑤	⑥	⑦	⑧	⑨	⑩
D ₀	INTA	0	0	0	0	0	0	0	1	0	1
D ₁	$\overline{W\bar{O}}$	1	1	0	1	0	1	0	1	1	1
D ₂	STACK	0	0	0	1	1	0	0	0	0	0
D ₃	HLTA	0	0	0	0	0	0	0	0	1	1
D ₄	OUT	0	0	0	0	0	0	1	0	0	0
D ₅	M ₁	1	0	0	0	0	0	0	1	0	1
D ₆	INP	0	0	0	0	0	1	0	0	0	0
D ₇	MEMR	1	1	0	1	0	0	0	0	1	0

⑩ STATUS WORD

Table 2-1. 8080 Status Bit Definitions

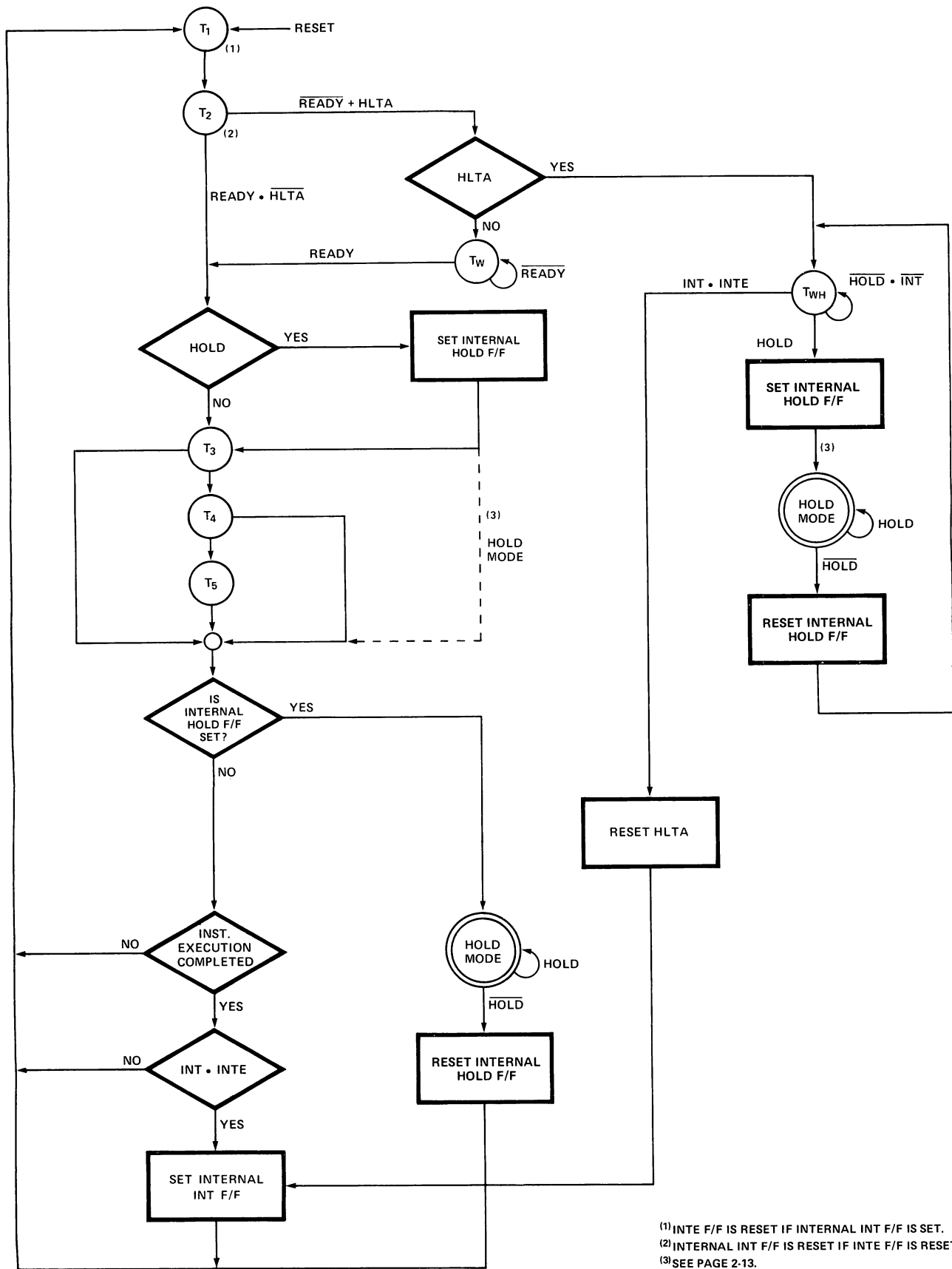


Figure 2-4. CPU State Transition Diagram

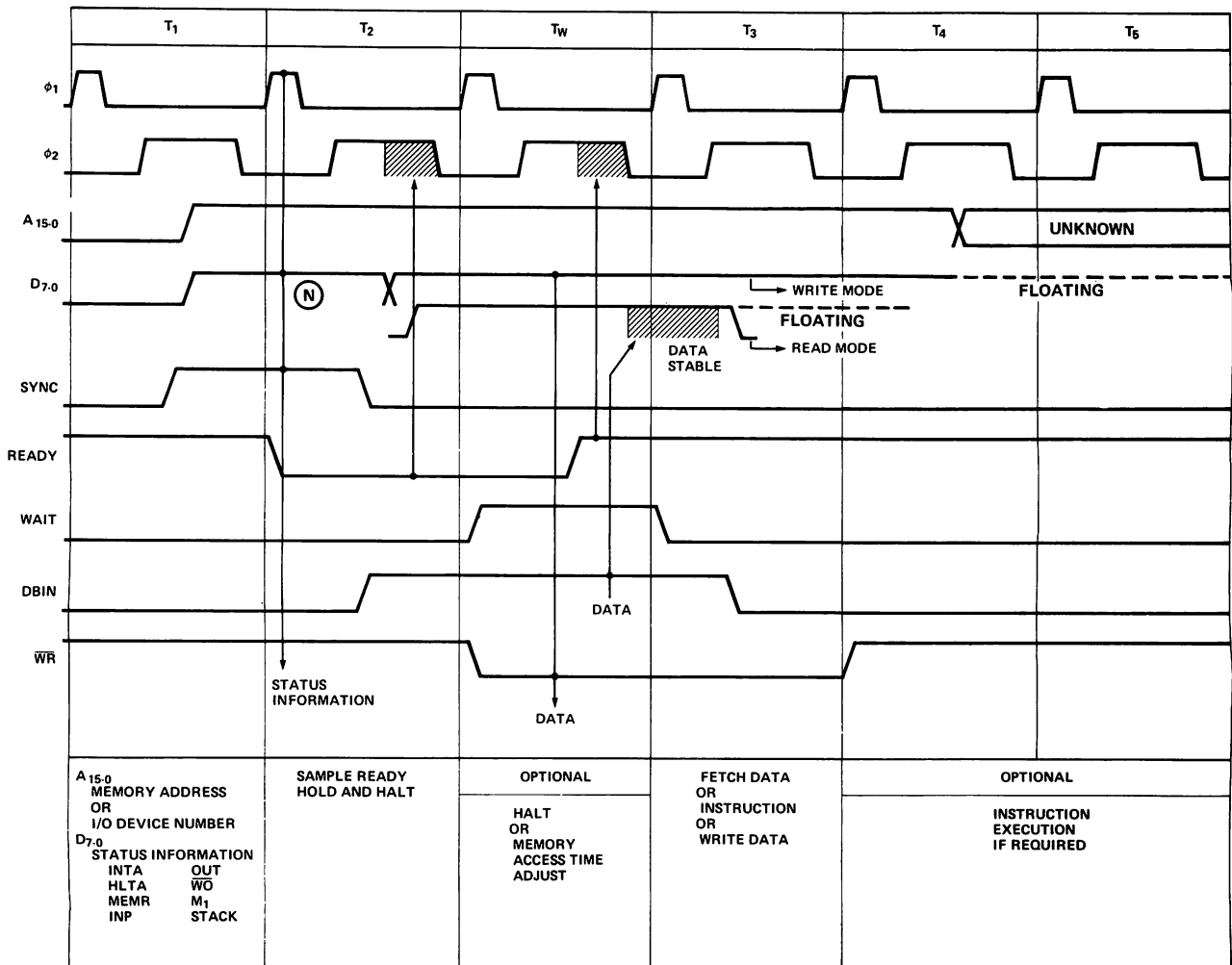
The events that take place during the T₃ state are determined by the kind of machine cycle in progress. In a FETCH machine cycle, the processor interprets the data on its data bus as an instruction. During a MEMORY READ or a STACK READ, data on this bus is interpreted as a data word. The processor outputs data on this bus during a MEMORY WRITE machine cycle. During I/O operations, the processor may either transmit or receive data, depending on whether an OUTPUT or an INPUT operation is involved.

Figure 2-6 illustrates the timing that is characteristic of a data input operation. As shown, the low-to-high transition of ϕ_2 during T₂ clears status information from the processor's data lines, preparing these lines for the receipt of incoming data. The data presented to the processor must have stabilized prior to both the " ϕ_1 -data set-up" interval (t_{DS1}), that precedes the falling edge of the ϕ_1 pulse defining state T₃, and the " ϕ_2 -data set-up" interval (t_{DS2}), that precedes the rising edge of ϕ_2 in state T₃. This same

data must remain stable during the "data hold" interval (t_{DH}) that occurs following the rising edge of the ϕ_2 pulse. Data placed on these lines by memory or by other external devices will be sampled during T₃.

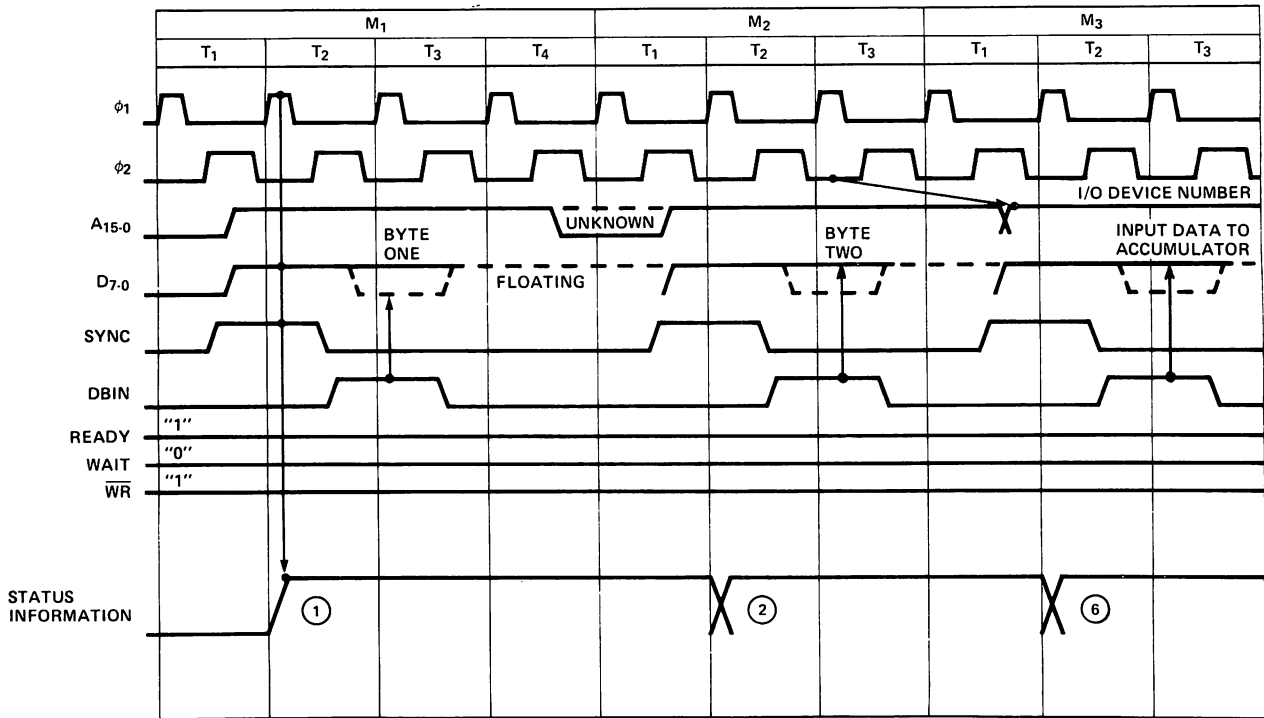
During the input of data to the processor, the 8080 generates a DBIN signal which should be used externally to enable the transfer. Machine cycles in which DBIN is available include: FETCH, MEMORY READ, STACK READ, and INTERRUPT. DBIN is initiated by the rising edge of ϕ_2 during state T₂ and terminated by the corresponding edge of ϕ_2 during T₃. Any T_W phases intervening between T₂ and T₃ will therefore extend DBIN by one or more clock periods.

Figure 2-7 shows the timing of a machine cycle in which the processor outputs data. Output data may be destined either for memory or for peripherals. The rising edge of ϕ_2 within state T₂ clears status information from the CPU's data lines, and loads in the data which is to be output to external devices. This substitution takes place within the



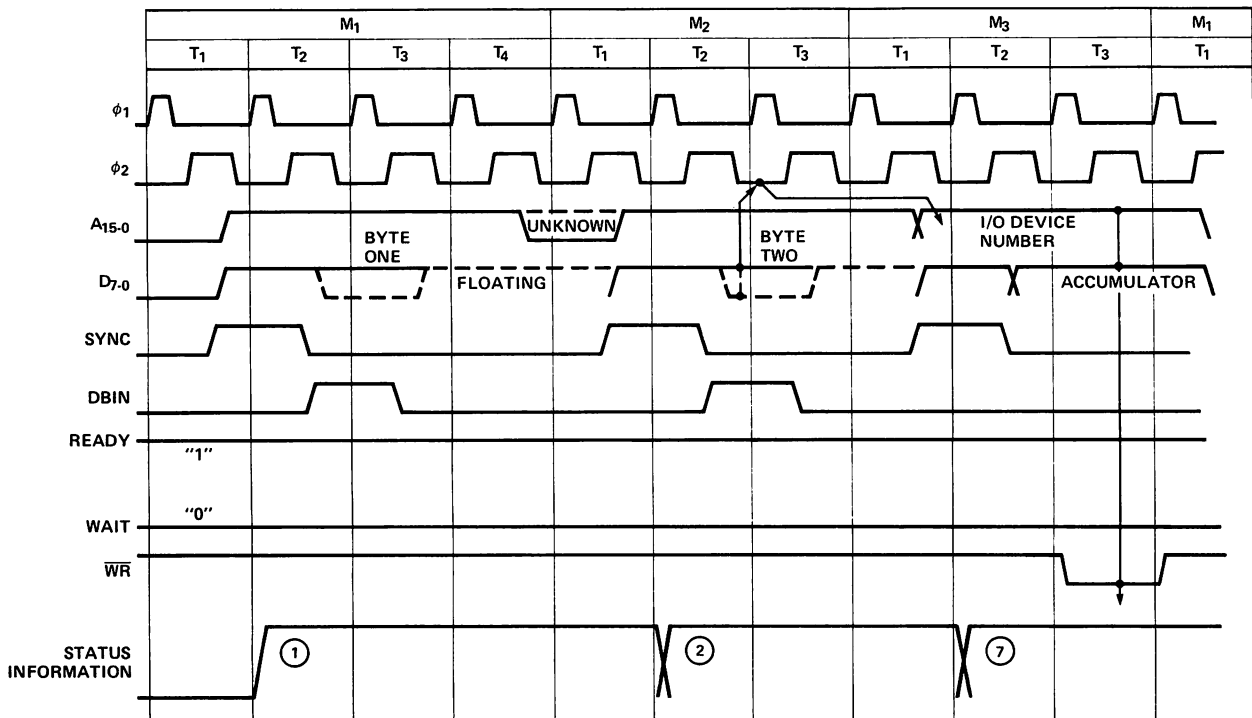
NOTE: (N) Refer to Status Word Chart on Page 2-6.

Figure 2-5. Basic 8080 Instruction Cycle



NOTE: (N) Refer to Status Word Chart on Page 2-6.

Figure 2-6. Input Instruction Cycle



NOTE: (N) Refer to Status Word Chart on Page 2-6.

Figure 2-7. Output Instruction Cycle

“data output delay” interval (t_{DD}) following the ϕ_2 clock’s leading edge. Data on the bus remains stable throughout the remainder of the machine cycle, until replaced by updated status information in the subsequent T_1 state. Observe that a **READY** signal is necessary for completion of an **OUTPUT** machine cycle. Unless such an indication is present, the processor enters the T_W state, following the T_2 state. Data on the output lines remains stable in the interim, and the processing cycle will not proceed until the **READY** line again goes high.

The 8080 CPU generates a \overline{WR} output for the synchronization of external transfers, during those machine cycles in which the processor outputs data. These include **MEMORY WRITE**, **STACK WRITE**, and **OUTPUT**. The negative-going leading edge of \overline{WR} is referenced to the rising edge of the first ϕ_1 clock pulse following T_2 , and occurs within a brief delay (t_{DC}) of that event. \overline{WR} remains low until re-triggered by the leading edge of ϕ_1 during the state following T_3 . Note that any T_W states intervening between T_2 and T_3 of the output machine cycle will neces-

sarily extend \overline{WR} , in much the same way that **DBIN** is affected during data input operations.

All processor machine cycles consist of at least three states: T_1 , T_2 , and T_3 as just described. If the processor has to wait for a response from the peripheral or memory with which it is communicating, then the machine cycle may also contain one or more T_W states. During the three basic states, data is transferred to or from the processor.

After the T_3 state, however, it becomes difficult to generalize. T_4 and T_5 states are available, if the execution of a particular instruction requires them. But not all machine cycles make use of these states. It depends upon the kind of instruction being executed, and on the particular machine cycle within the instruction cycle. The processor will terminate any machine cycle as soon as its processing activities are completed, rather than proceeding through the T_4 and T_5 states every time. Thus the 8080 may exit a machine cycle following the T_3 , the T_4 , or the T_5 state and proceed directly to the T_1 state of the next machine cycle.

STATE	ASSOCIATED ACTIVITIES
T_1	A memory address or I/O device number is placed on the Address Bus (A ₁₅₋₀); status information is placed on Data Bus (D ₇₋₀).
T_2	The CPU samples the READY and HOLD inputs and checks for halt instruction.
T_W (optional)	Processor enters wait state if READY is low or if HALT instruction has been executed.
T_3	An instruction byte (FETCH machine cycle), data byte (MEMORY READ , STACK READ) or interrupt instruction (INTERRUPT machine cycle) is input to the CPU from the Data Bus; or a data byte (MEMORY WRITE , STACK WRITE or OUTPUT machine cycle) is output onto the data bus.
T_4 T_5 (optional)	States T_4 and T_5 are available if the execution of a particular instruction requires them; if not, the CPU may skip one or both of them. T_4 and T_5 are only used for internal processor operations.

Table 2-2. State Definitions

INTERRUPT SEQUENCES

The 8080 has the built-in capacity to handle external interrupt requests. A peripheral device can initiate an interrupt simply by driving the processor's interrupt (INT) line high.

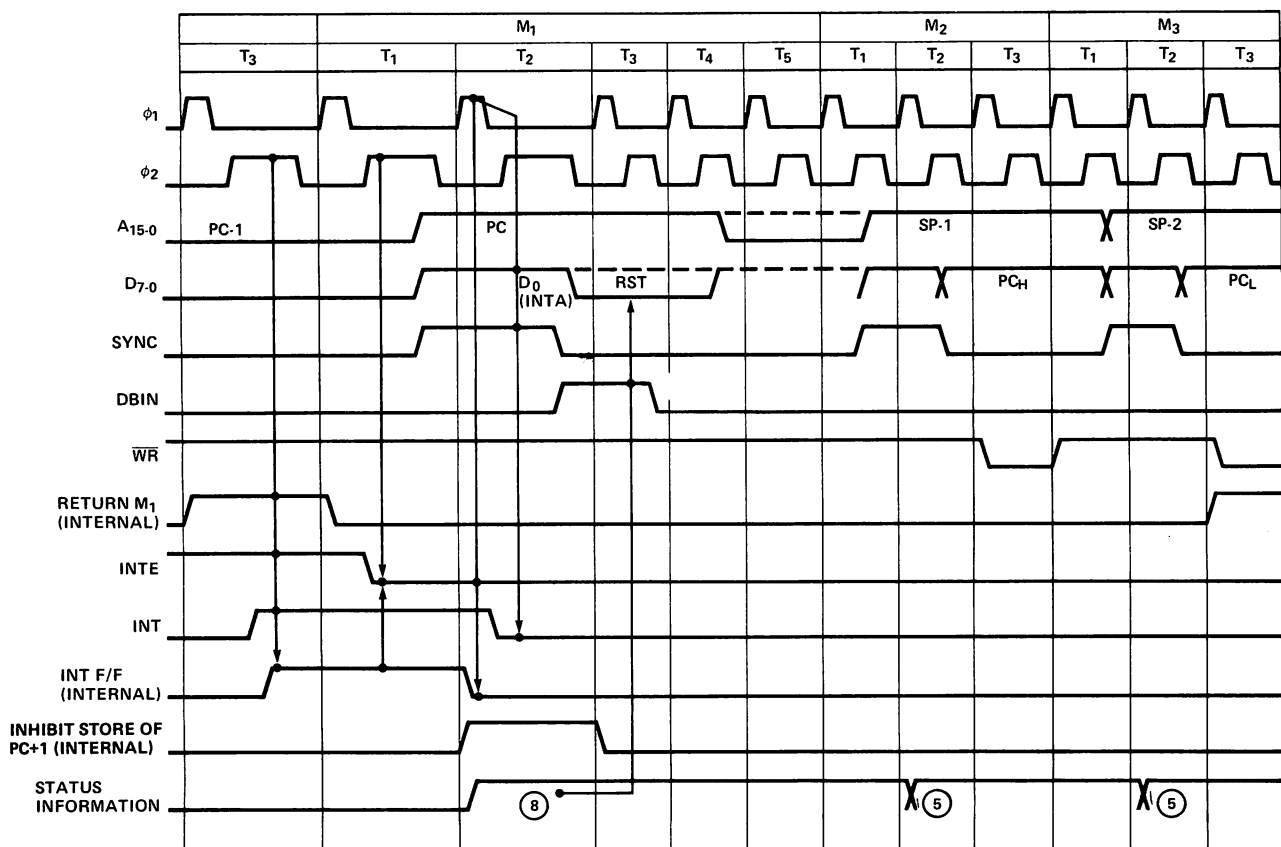
The interrupt (INT) input is asynchronous, and a request may therefore originate at any time during any instruction cycle. Internal logic re-clocks the external request, so that a proper correspondence with the driving clock is established. As Figure 2-8 shows, an interrupt request (INT) arriving during the time that the interrupt enable line (INTE) is high, acts in coincidence with the ϕ_2 clock to set the internal interrupt latch. This event takes place during the last state of the instruction cycle in which the request occurs, thus ensuring that any instruction in progress is completed before the interrupt can be processed.

The INTERRUPT machine cycle which follows the arrival of an enabled interrupt request resembles an ordinary FETCH machine cycle in most respects. The M_1 status bit is transmitted as usual during the SYNC interval. It is accompanied, however, by an INTA status bit (D_0) which acknowledges the external request. The contents of the program counter are latched onto the CPU's address lines during T_1 , but the counter itself is not incremented during the INTERRUPT machine cycle, as it otherwise would be.

In this way, the pre-interrupt status of the program counter is preserved, so that data in the counter may be restored by the interrupted program after the interrupt request has been processed.

The interrupt cycle is otherwise indistinguishable from an ordinary FETCH machine cycle. The processor itself takes no further special action. It is the responsibility of the peripheral logic to see that an eight-bit interrupt instruction is "jammed" onto the processor's data bus during state T_3 . In a typical system, this means that the data-in bus from memory must be temporarily disconnected from the processor's main data bus, so that the interrupting device can command the main bus without interference.

The 8080's instruction set provides a special one-byte call which facilitates the processing of interrupts (the ordinary program Call takes three bytes). This is the RESTART instruction (RST). A variable three-bit field embedded in the eight-bit field of the RST enables the interrupting device to direct a Call to one of eight fixed memory locations. The decimal addresses of these dedicated locations are: 0, 8, 16, 24, 32, 40, 48, and 56. Any of these addresses may be used to store the first instruction(s) of a routine designed to service the requirements of an interrupting device. Since the (RST) is a call, completion of the instruction also stores the old program counter contents on the STACK.



NOTE: (N) Refer to Status Word Chart on Page 2-6.

Figure 2-8. Interrupt Timing

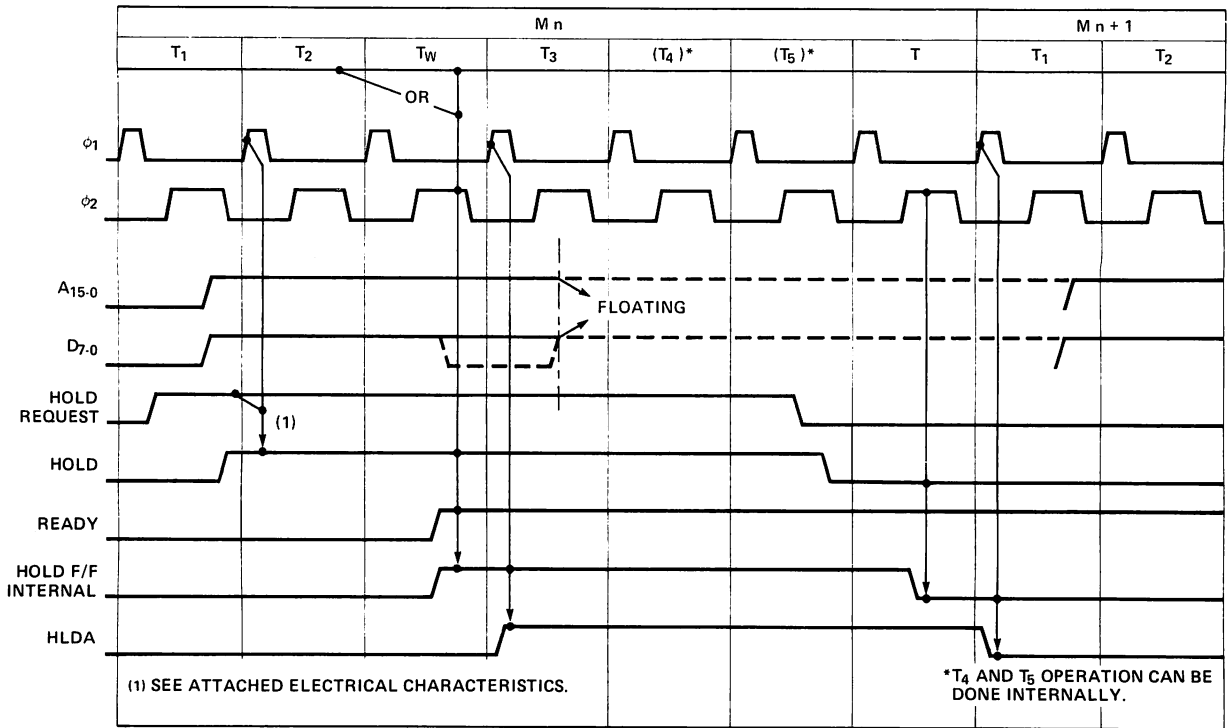


Figure 2-9. HOLD Operation (Read Mode)

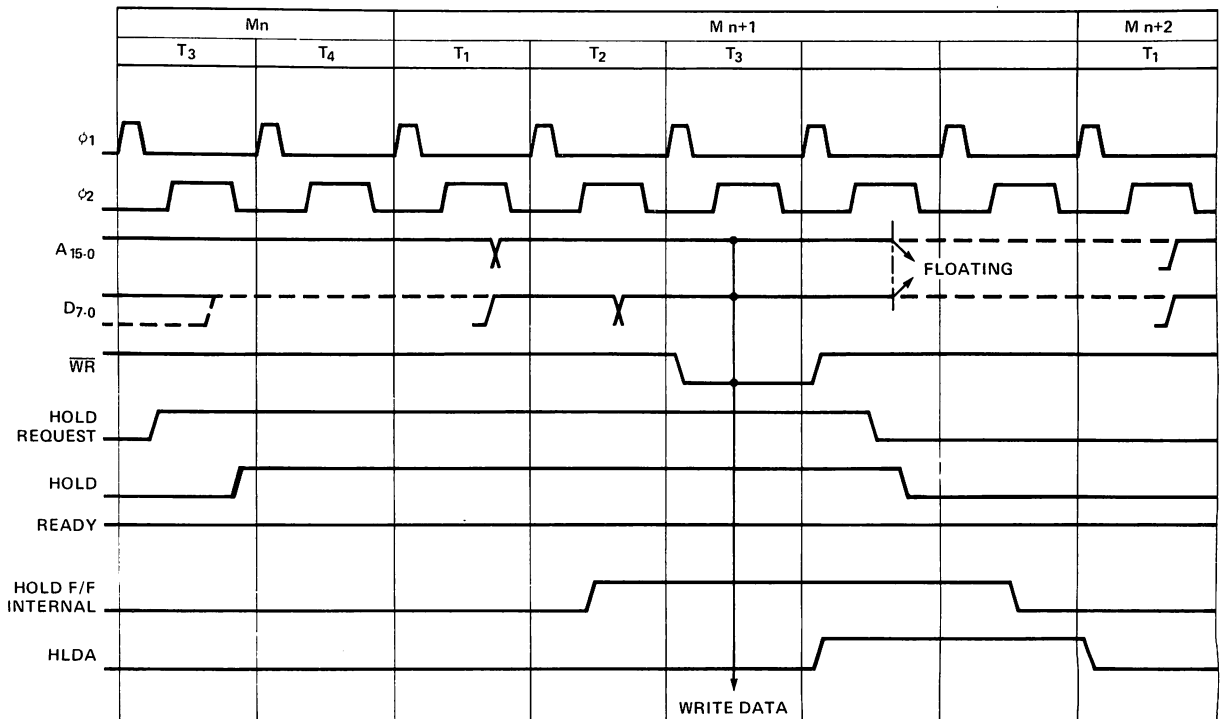


Figure 2-10. HOLD Operation (Write Mode)

HOLD SEQUENCES

The 8080A CPU contains provisions for Direct Memory Access (DMA) operations. By applying a HOLD to the appropriate control pin on the processor, an external device can cause the CPU to suspend its normal operations and relinquish control of the address and data busses. The processor responds to a request of this kind by floating its address to other devices sharing the busses. At the same time, the processor acknowledges the HOLD by placing a high on its HLDA outpin pin. During an acknowledged HOLD, the address and data busses are under control of the peripheral which originated the request, enabling it to conduct memory transfers without processor intervention.

Like the interrupt, the HOLD input is synchronized internally. A HOLD signal must be stable prior to the "Hold set-up" interval (t_{HS}), that precedes the rising edge of ϕ_2 .

Figures 2-9 and 2-10 illustrate the timing involved in HOLD operations. Note the delay between the asynchronous HOLD REQUEST and the re-clocked HOLD. As shown in the diagram, a coincidence of the READY, the HOLD, and the ϕ_2 clocks sets the internal hold latch. Setting the latch enables the subsequent rising edge of the ϕ_1 clock pulse to trigger the HLDA output.

Acknowledgement of the HOLD REQUEST precedes slightly the actual floating of the processor's address and data lines. The processor acknowledges a HOLD at the beginning of T_3 , if a read or an input machine cycle is in progress (see Figure 2-9). Otherwise, acknowledgement is deferred until the beginning of the state following T_3 (see Figure 2-10). In both cases, however, the HLDA goes high within a specified delay (t_{DC}) of the rising edge of the selected ϕ_1 clock pulse. Address and data lines are floated within a brief delay after the rising edge of the next ϕ_2 clock pulse. This relationship is also shown in the diagrams.

To all outward appearances, the processor has suspended its operations once the address and data busses are floated. Internally, however, certain functions may continue. If a HOLD REQUEST is acknowledged at T_3 , and if the processor is in the middle of a machine cycle which requires four or more states to complete, the CPU proceeds through T_4 and T_5 before coming to a rest. Not until the end of the machine cycle is reached will processing activities cease. Internal processing is thus permitted to overlap the external DMA transfer, improving both the efficiency and the speed of the entire system.

The processor exits the holding state through a sequence similar to that by which it entered. A HOLD REQUEST is terminated asynchronously when the external device has completed its data transfer. The HLDA output

returns to a low level following the leading edge of the next ϕ_1 clock pulse. Normal processing resumes with the machine cycle following the last cycle that was executed.

HALT SEQUENCES

When a halt instruction (HLT) is executed, the CPU enters the halt state (T_{WH}) after state T_2 of the next machine cycle, as shown in Figure 2-11. There are only three ways in which the 8080 can exit the halt state:

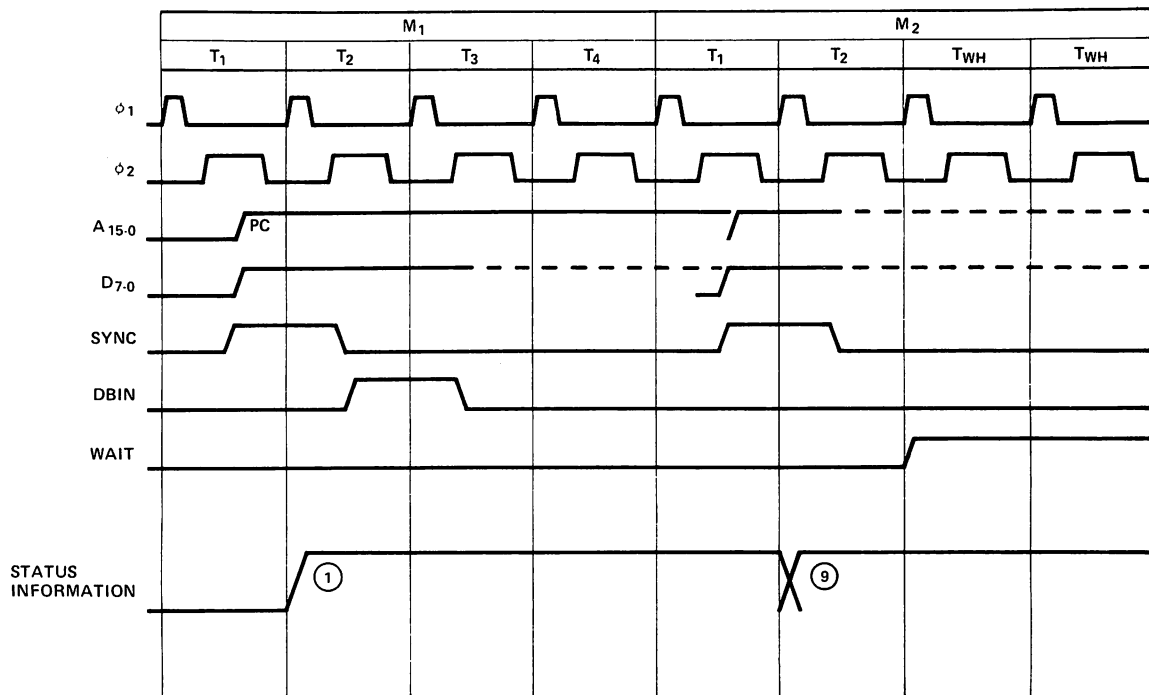
- A high on the RESET line will always reset the 8080 to state T_1 ; RESET also clears the program counter.
- A HOLD input will cause the 8080 to enter the hold state, as previously described. When the HOLD line goes low, the 8080 re-enters the halt state on the rising edge of the next ϕ_1 clock pulse.
- An interrupt (i.e., INT goes high while INTE is enabled) will cause the 8080 to exit the Halt state and enter state T_1 on the rising edge of the next ϕ_1 clock pulse. NOTE: The interrupt enable (INTE) flag **must** be set when the halt state is entered; otherwise, the 8080 will only be able to exit via a RESET signal.

Figure 2-12 illustrates halt sequencing in flow chart form.

START-UP OF THE 8080 CPU

When power is applied initially to the 8080, the processor begins operating immediately. The contents of its program counter, stack pointer, and the other working registers are naturally subject to random factors and cannot be specified. For this reason, it will be necessary to begin the power-up sequence with RESET.

An external RESET signal of three clock period duration (minimum) restores the processor's internal program counter to zero. Program execution thus begins with memory location zero, following a RESET. Systems which require the processor to wait for an explicit start-up signal will store a halt instruction (EI, HLT) in the first two locations. A manual or an automatic INTERRUPT will be used for starting. In other systems, the processor may begin executing its stored program immediately. Note, however, that the RESET has no effect on status flags, or on any of the processor's working registers (accumulator, registers, or stack pointer). The contents of these registers remain indeterminate, until initialized explicitly by the program.



NOTE: (N) Refer to Status Word Chart on Page 2-6

Figure 2-11. HALT Timing

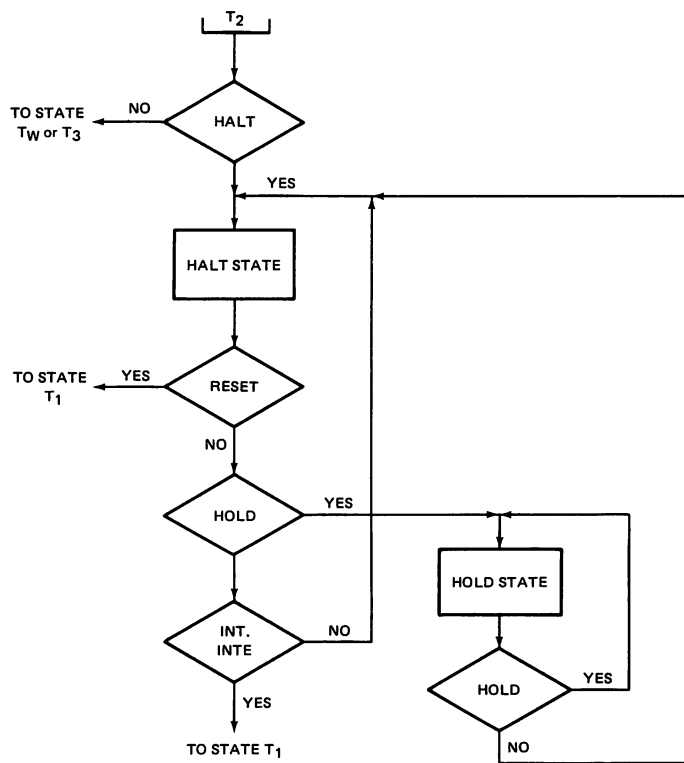
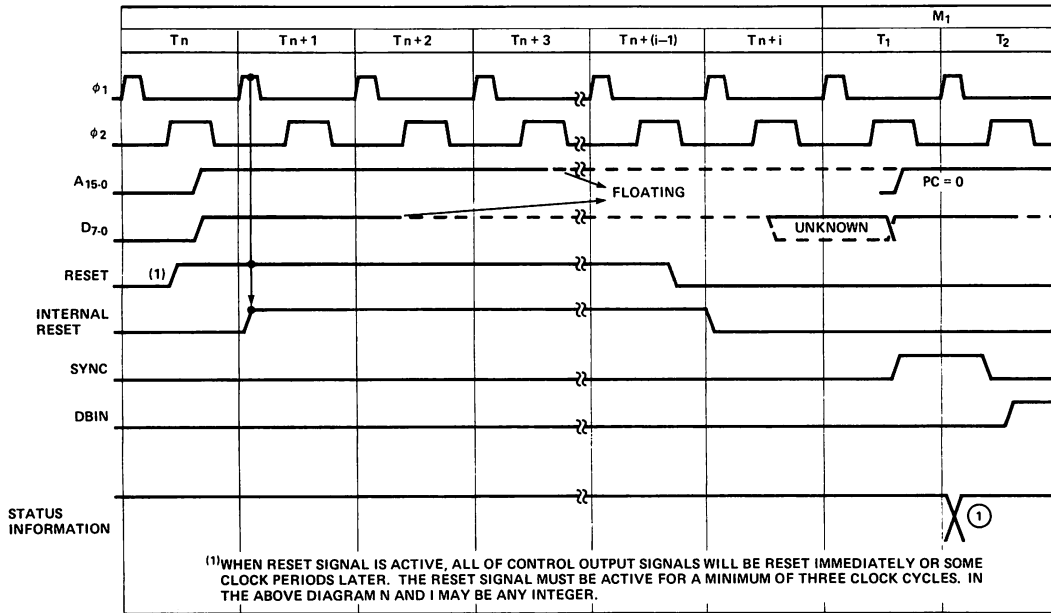
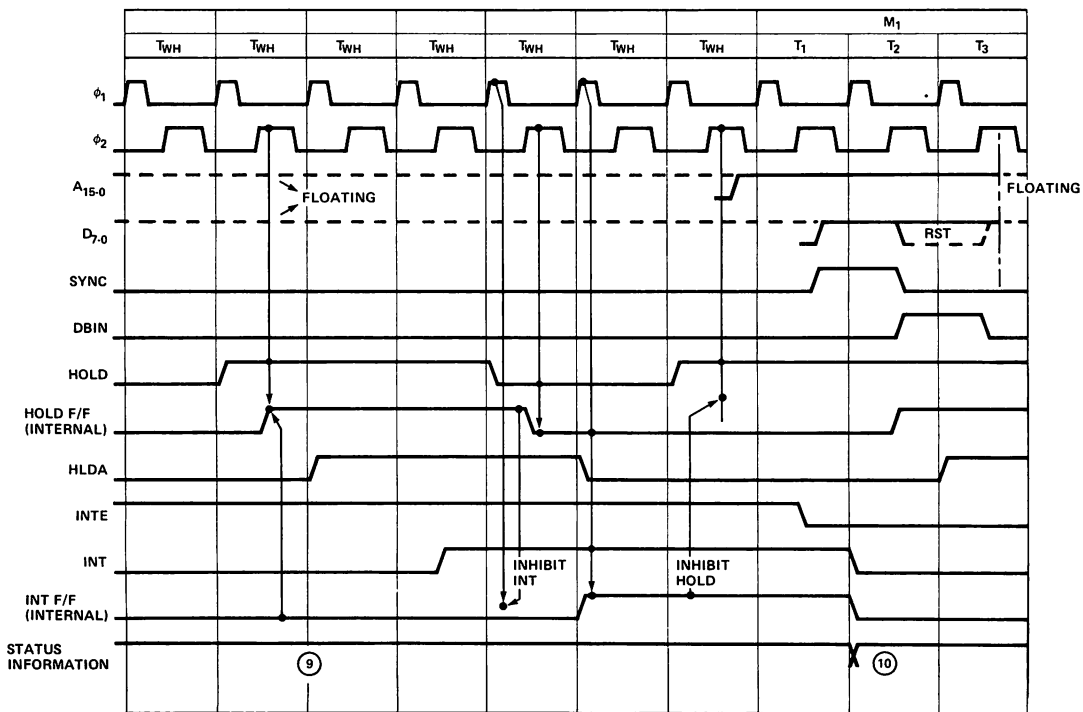


Figure 2-12. HALT Sequence Flow Chart.



NOTE: (N) Refer to Status Word Chart on Page 2-6.

Figure 2-13. Reset.



NOTE: (N) Refer to Status Word Chart on Page 2-6.

Figure 2-14. Relation between HOLD and INT in the HALT State.

MNEMONIC	OP CODE		M1[1]					M2		
	D ₇ D ₆ D ₅ D ₄	D ₃ D ₂ D ₁ D ₀	T1	T2[2]	T3	T4	T5	T1	T2[2]	T3
MOV r1, r2	0 1 D D	D S S S	PC OUT STATUS	PC = PC + 1	INST→TMP/IR	(SSS)→TMP	(TMP)→DDD			
MOV r, M	0 1 D D	D 1 1 0	↑	↑	↑	X[3]		HL OUT STATUS[6]	DATA → DDD	
MOV M, r	0 1 1 1	0 S S S				(SSS)→TMP		HL OUT STATUS[7]	(TMP) → DATA BUS	
SPHL	1 1 1 1	1 0 0 1				(HL) → SP				
MVI r, data	0 0 D D	D 1 1 0				X		PC OUT STATUS[6]	B2 → DDDD	
MVI M, data	0 0 1 1	0 1 1 0				X		↑	B2 → TMP	
LXI rp, data	0 0 R P	0 0 0 1				X			PC = PC + 1	B2 → r1
LDA addr	0 0 1 1	1 0 1 0				X			PC = PC + 1	B2 → Z
STA addr	0 0 1 1	0 0 1 0				X			PC = PC + 1	B2 → Z
LHLD addr	0 0 1 0	1 0 1 0				X			PC = PC + 1	B2 → Z
SHLD addr	0 0 1 0	0 0 1 0				X		PC OUT STATUS[6]	PC = PC + 1	B2 → Z
LDAX rp[4]	0 0 R P	1 0 1 0				X		rp OUT STATUS[6]	DATA → A	
STAX rp[4]	0 0 R P	0 0 1 0				X		rp OUT STATUS[7]	(A) → DATA BUS	
XCHG	1 1 1 0	1 0 1 1				(HL) ↔ (DE)				
ADD r	1 0 0 0	0 S S S				(SSS)→TMP (A)→ACT		[9]	(ACT)+(TMP)→A	
ADD M	1 0 0 0	0 1 1 0				(A)→ACT		HL OUT STATUS[6]	DATA → TMP	
ADI data	1 1 0 0	0 1 1 0				(A)→ACT		PC OUT STATUS[6]	PC = PC + 1	B2 → TMP
ADC r	1 0 0 0	1 S S S				(SSS)→TMP (A)→ACT		[9]	(ACT)+(TMP)+CY→A	
ADC M	1 0 0 0	1 1 1 0				(A)→ACT		HL OUT STATUS[6]	DATA → TMP	
ACI data	1 1 0 0	1 1 1 0				(A)→ACT		PC OUT STATUS[6]	PC = PC + 1	B2 → TMP
SUB r	1 0 0 1	0 S S S				(SSS)→TMP (A)→ACT		[9]	(ACT)-(TMP)→A	
SUB M	1 0 0 1	0 1 1 0				(A)→ACT		HL OUT STATUS[6]	DATA → TMP	
SUI data	1 1 0 1	0 1 1 0				(A)→ACT		PC OUT STATUS[6]	PC = PC + 1	B2 → TMP
SBB r	1 0 0 1	1 S S S				(SSS)→TMP (A)→ACT		[9]	(ACT)-(TMP)-CY→A	
SBB M	1 0 0 1	1 1 1 0				(A)→ACT		HL OUT STATUS[6]	DATA → TMP	
SBI data	1 1 0 1	1 1 1 0				(A)→ACT		PC OUT STATUS[6]	PC = PC + 1	B2 → TMP
INR r	0 0 D D	D 1 0 0				(DDD)→TMP (TMP) + 1→ALU	ALU→DDD			
INR M	0 0 1 1	0 1 0 0				X		HL OUT STATUS[6]	DATA (TMP)+1 → ALU	
DCR r	0 0 D D	D 1 0 1				(DDD)→TMP (TMP)+1→ALU	ALU→DDD			
DCR M	0 0 1 1	0 1 0 1				X		HL OUT STATUS[6]	DATA (TMP)-1 → ALU	
INX rp	0 0 R P	0 0 1 1				(RP) + 1 → RP				
DCX rp	0 0 R P	1 0 1 1				(RP) - 1 → RP				
DAD rp[8]	0 0 R P	1 0 0 1				X		(ri)→ACT	(L)→TMP, (ACT)+(TMP)→ALU	ALU→L, CY
DAA	0 0 1 0	0 1 1 1				DAA→A, FLAGS[10]				
ANA r	1 0 1 0	0 S S S				(SSS)→TMP (A)→ACT		[9]	(ACT)+(TMP)→A	
ANA M	1 0 1 0	0 1 1 0	PC OUT STATUS	PC = PC + 1	INST→TMP/IR	(A)→ACT		HL OUT STATUS[6]	DATA → TMP	

MNEMONIC	OP CODE		M1[1]					M2		
	D7 D6 D5 D4	D3 D2 D1 D0	T1	T2[2]	T3	T4	T5	T1	T2[2]	T3
ANI data	1 1 1 0	0 1 1 0	PC OUT STATUS	PC = PC + 1	INST→TMP/IR	(A)→ACT		PC OUT STATUS[6]	PC = PC + 1 B2	→TMP
XRA r	1 0 1 0	1 S S S				(A)→ACT (SSS)→TMP		[9]	(ACT)+(TPM)→A	
XRA M	1 0 1 0	1 1 1 0				(A)→ACT		HL OUT STATUS[6]	DATA	→TMP
XRI data	1 1 1 0	1 1 1 0				(A)→ACT		PC OUT STATUS[6]	PC = PC + 1 B2	→TMP
ORA r	1 0 1 1	0 S S S				(A)→ACT (SSS)→TMP		[9]	(ACT)+(TMP)→A	
ORA M	1 0 1 1	0 1 1 0				(A)→ACT		HL OUT STATUS[6]	DATA	→TMP
ORI data	1 1 1 1	0 1 1 0				(A)→ACT		PC OUT STATUS[6]	PC = PC + 1 B2	→TMP
CMP r	1 0 1 1	1 S S S				(A)→ACT (SSS)→TMP		[9]	(ACT)-(TMP), FLAGS	
CMP M	1 0 1 1	1 1 1 0				(A)→ACT		HL OUT STATUS[6]	DATA	→TMP
CPI data	1 1 1 1	1 1 1 0				(A)→ACT		PC OUT STATUS[6]	PC = PC + 1 B2	→TMP
RLC	0 0 0 0	0 1 1 1				(A)→ALU ROTATE		[9]	ALU→A, CY	
RRC	0 0 0 0	1 1 1 1				(A)→ALU ROTATE		[9]	ALU→A, CY	
RAL	0 0 0 1	0 1 1 1				(A), CY→ALU ROTATE		[9]	ALU→A, CY	
RAR	0 0 0 1	1 1 1 1				(A), CY→ALU ROTATE		[9]	ALU→A, CY	
CMA	0 0 1 0	1 1 1 1				(A)→A				
CMC	0 0 1 1	1 1 1 1				CY→CY				
STC	0 0 1 1	0 1 1 1				1→CY				
JMP addr	1 1 0 0	0 0 1 1				X		PC OUT STATUS[6]	PC = PC + 1 B2	→Z
J cond addr[17]	1 1 C C	C 0 1 0				JUDGE CONDITION		PC OUT STATUS[6]	PC = PC + 1 B2	→Z
CALL addr	1 1 0 0	1 1 0 1				SP = SP - 1		PC OUT STATUS[6]	PC = PC + 1 B2	→Z
C cond addr[17]	1 1 C C	C 1 0 0				JUDGE CONDITION IF TRUE, SP = SP - 1		PC OUT STATUS[6]	PC = PC + 1 B2	→Z
RET	1 1 0 0	1 0 0 1				X		SP OUT STATUS[15]	SP = SP + 1 DATA	→Z
R cond addr[17]	1 1 C C	C 0 0 0				INST→TMP/IR		JUDGE CONDITION[14]	SP OUT STATUS[15]	SP = SP + 1 DATA →Z
RST n	1 1 N N	N 1 1 1				φ→W INST→TMP/IR		SP = SP - 1	SP OUT STATUS[16]	SP = SP - 1 (PCH) →DATA BUS
PCHL	1 1 1 0	1 0 0 1				INST→TMP/IR	(HL) → PC			
PUSH rp	1 1 R P	0 1 0 1					SP = SP - 1	SP OUT STATUS[16]	SP = SP - 1 (rh)	→DATA BUS
PUSH PSW	1 1 1 1	0 1 0 1					SP = SP - 1	SP OUT STATUS[16]	SP = SP - 1 (A)	→DATA BUS
POP rp	1 1 R P	0 0 0 1					X	SP OUT STATUS[15]	SP = SP + 1 DATA	→r1
POP PSW	1 1 1 1	0 0 0 1					X	SP OUT STATUS[15]	SP = SP + 1 DATA	→FLAGS
XTHL	1 1 1 0	0 0 1 1					X	SP OUT STATUS[15]	SP = SP + 1 DATA	→Z
IN port	1 1 0 1	1 0 1 1					X	PC OUT STATUS[6]	PC = PC + 1 B2	→Z, W
OUT port	1 1 0 1	0 0 1 1					X	PC OUT STATUS[6]	PC = PC + 1 B2	→Z, W
EI	1 1 1 1	1 0 1 1				SET INTE F/F				
DI	1 1 1 1	0 0 1 1				RESET INTE F/F				
HLT	0 1 1 1	0 1 1 0					X	PC OUT STATUS	HALT MODE[20]	
NOP	0 0 0 0	0 0 0 0	PC OUT STATUS	PC = PC + 1	INST→TMP/IR		X			

NOTES:

1. The first memory cycle (M1) is always an instruction fetch; the first (or only) byte, containing the op code, is fetched during this cycle.
2. If the READY input from memory is not high during T2 of each memory cycle, the processor will enter a wait state (TW) until READY is sampled as high.
3. States T4 and T5 are present, as required, for operations which are completely internal to the CPU. The contents of the internal bus during T4 and T5 are available at the data bus; this is designed for testing purposes only. An "X" denotes that the state is present, but is only used for such internal operations as instruction decoding.
4. Only register pairs rp = B (registers B and C) or rp = D (registers D and E) may be specified.
5. These states are skipped.
6. Memory read sub-cycles; an instruction or data word will be read.
7. Memory write sub-cycle.
8. The READY signal is not required during the second and third sub-cycles (M2 and M3). The HOLD signal is accepted during M2 and M3. The SYNC signal is not generated during M2 and M3. During the execution of DAD, M2 and M3 are required for an internal register-pair add; memory is not referenced.
9. The results of these arithmetic, logical or rotate instructions are not moved into the accumulator (A) until state T2 of the next instruction cycle. That is, A is loaded while the next instruction is being fetched; this overlapping of operations allows for faster processing.
10. If the value of the least significant 4-bits of the accumulator is greater than 9 or if the auxiliary carry bit is set, 6 is added to the accumulator. If the value of the most significant 4-bits of the accumulator is now greater than 9, or if the carry bit is set, 6 is added to the most significant 4-bits of the accumulator.
11. This represents the first sub-cycle (the instruction fetch) of the next instruction cycle.

12. If the condition was met, the contents of the register pair WZ are output on the address lines (A₀₋₁₅) instead of the contents of the program counter (PC).
13. If the condition was not met, sub-cycles M4 and M5 are skipped; the processor instead proceeds immediately to the instruction fetch (M1) of the next instruction cycle.
14. If the condition was not met, sub-cycles M2 and M3 are skipped; the processor instead proceeds immediately to the instruction fetch (M1) of the next instruction cycle.
15. Stack read sub-cycle.
16. Stack write sub-cycle.
17. CONDITION CCC

NZ — not zero (Z = 0)	000
Z — zero (Z = 1)	001
NC — no carry (CY = 0)	010
C — carry (CY = 1)	011
PO — parity odd (P = 0)	100
PE — parity even (P = 1)	101
P — plus (S = 0)	110
M — minus (S = 1)	111
18. I/O sub-cycle: the I/O port's 8-bit select code is duplicated on address lines 0-7 (A₀₋₇) and 8-15 (A₈₋₁₅).
19. Output sub-cycle.
20. The processor will remain idle in the halt state until an interrupt, a reset or a hold is accepted. When a hold request is accepted, the CPU enters the hold mode; after the hold mode is terminated, the processor returns to the halt state. After a reset is accepted, the processor begins execution at memory location zero. After an interrupt is accepted, the processor executes the instruction forced onto the data bus (usually a restart instruction).

SSS or DDD	Value	rp	Value
A	111	B	00
B	000	D	01
C	001	H	10
D	010	SP	11
E	011		
H	100		
L	101		

CHAPTER 3 INTERFACING THE 8080

This chapter will illustrate, in detail, how to interface the 8080 CPU with Memory and I/O. It will also show the benefits and tradeoffs encountered when using a variety of system architectures to achieve higher throughput, decreased component count or minimization of memory size.

8080 Microcomputer system design lends itself to a simple, modular approach. Such an approach will yield the designer a reliable, high performance system that contains a minimum component count and is easy to manufacture and maintain.

The overall system can be thought of as a simple block diagram. The three (3) blocks in the diagram represent the functions common to any computer system.

CPU Module* Contains the Central Processing Unit, system timing and interface circuitry to Memory and I/O devices.

Memory Contains Read Only Memory (ROM) and Read/Write Memory (RAM) for program and data storage.

I/O Contains circuitry that allows the computer system to communicate with devices or structures existing outside of the CPU or Memory array.

for example: Keyboards, Floppy Disks, Paper Tape, etc.

There are three busses that interconnect these blocks:

Data Bus† A bi-directional path on which data can flow between the CPU and Memory or I/O.

Address Bus A uni-directional group of lines that identify a particular Memory location or I/O device.

*"Module" refers to a functional block, it does not reference a printed circuit board manufactured by INTEL.

†"Bus" refers to a set of signals grouped together because of the similarity of their functions.

Control Bus A uni-directional set of signals that indicate the type of activity in current process.

- Type of activities:
1. Memory Read
 2. Memory Write
 3. I/O Read
 4. I/O Write
 5. Interrupt Acknowledge

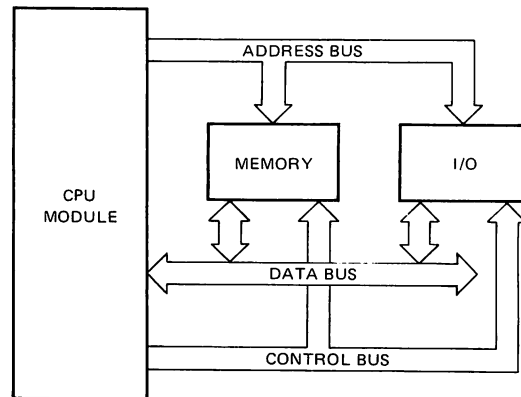


Figure 3-1. Typical Computer System Block Diagram

Basic System Operation

1. The CPU Module issues an activity command on the Control Bus.
2. The CPU Module issues a binary code on the Address Bus to identify which particular Memory location or I/O device will be involved in the current process activity.
3. The CPU Module receives or transmits data with the selected Memory location or I/O device.
4. The CPU Module returns to ① and issues the next activity command.

It is easy to see at this point that the CPU module is the central element in any computer system.

The following pages will cover the detailed design of the CPU Module with the 8080. The three Busses (Data, Address and Control) will be developed and the interconnection to Memory and I/O will be shown.

Design philosophies and system architectures presented in this manual are consistent with product development programs underway at INTEL for the MCS-80. Thus, the designer who uses this manual as a guide for his total system engineering is assured that all new developments in components and software for MCS-80 from INTEL will be compatible with his design approach.

CPU Module Design

The CPU Module contains three major areas:

1. The 8080 Central Processing Unit
2. A Clock Generator and High Level Driver
3. A bi-directional Data Bus Driver and System Control Logic

The following will discuss the design of the three major areas contained in the CPU Module. This design is presented as an alternative to the Intel® 8224 Clock Generator and Intel 8228 System Controller. By studying the alternative approach, the designer can more clearly see the considerations involved in the specification and engineering of the 8224 and 8228. Standard TTL components and Intel general purpose peripheral devices are used to implement

the design and to achieve operational characteristics that are as close as possible to those of the 8224 and 8228. Many auxiliary timing functions and features of the 8224 and 8228 are too complex to practically implement in standard components, so only the basic functions of the 8224 and 8228 are generated. Since significant benefits in system timing and component count reduction can be realized by using the 8224 and 8228, this is the preferred method of implementation.

1. 8080 CPU

The operation of the 8080 CPU was covered in previous chapters of this manual, so little reference will be made to it in the design of the Module.

2. Clock Generator and High Level Driver

The 8080 is a dynamic device, meaning that its internal storage elements and logic circuitry require a timing reference (Clock), supplied by external circuitry, to refresh and provide timing control signals.

The 8080 requires two (2) such Clocks. Their waveforms must be non-overlapping, and comply with the timing and levels specified in the 8080 A.C. and D.C. Characteristics, page 5-15.

Clock Generator Design

The Clock Generator consists of a crystal controlled,

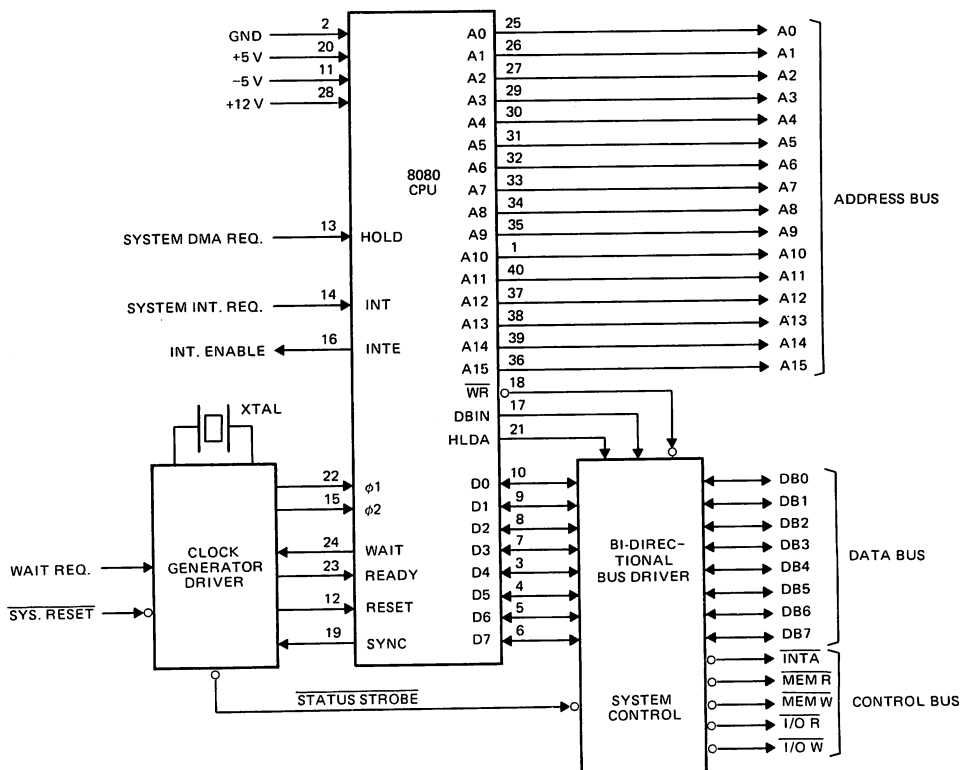


Figure 3-2. 8080 CPU Interface

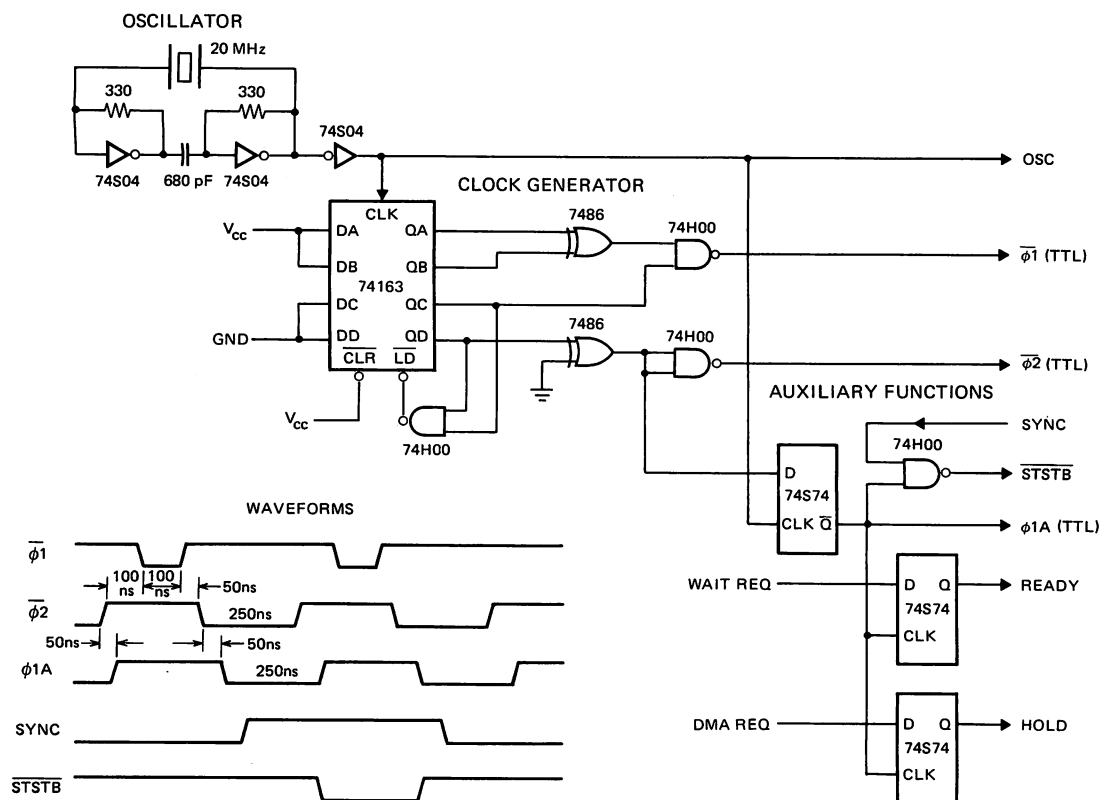


Figure 3-3. 8080 Clock Generator

20 MHz oscillator, a four bit counter, and gating circuits.

The oscillator provides a 20 MHz signal to the input of a four (4) bit, presetable, synchronous, binary counter. By presetting the counter as shown in figure 3-3 and clocking it with the 20 MHz signal, a simple decoding of the counters outputs using standard TTL gates, provides proper timing for the two (2) 8080 clock inputs.

Note that the timing must actually be measured at the output of the High Level Driver to take into account the added delays and waveform distortions within such a device.

High Level Driver Design

The voltage level of the clocks for the 8080 is not TTL compatible like the other signals that input to the 8080. The voltage swing is from .6 volts (V_{ILC}) to 11 volts (V_{IHC}) with risetimes and falltimes under 50 ns. The Capacitive Drive is 20 pf (max.). Thus, a High Level Driver is required to interface the outputs of the Clock Generator (TTL) to the 8080.

The two (2) outputs of the Clock Generator are capacitively coupled to a dual- High Level clock driver. The driver must be capable of complying with the 8080 clock input specifications, page 5-15. A driver of this type usually has little problem supplying the

positive transition when biased from the 8080 V_{DD} supply (12V) but to achieve the low voltage specification (V_{ILC}) .8 volts Max. the driver is biased to the 8080 V_{BB} supply (-5V). This allows the driver to swing from GND to V_{DD} with the aid of a simple resistor divider.

A low resistance series network is added between the driver and the 8080 to eliminate any overshoot of the pulsed waveforms. Now a circuit is apparent that can easily comply with the 8080 specifications. In fact rise and falltimes of this design are typically less than 10 ns.

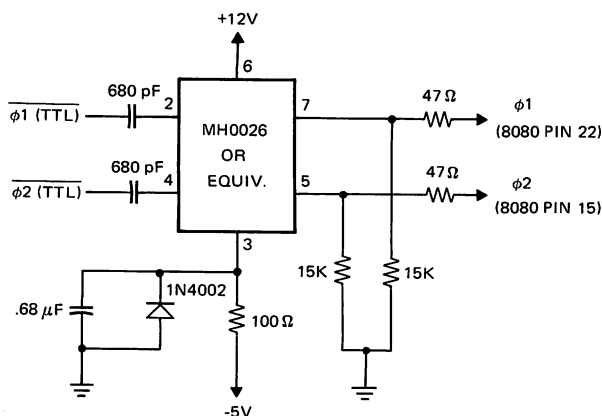


Figure 3-4. High Level Driver

Auxiliary Timing Signals and Functions

The Clock Generator can also be used to provide other signals that the designer can use to simplify large system timing or the interface to dynamic memories.

Functions such as power-on reset, synchronization of external requests (HOLD, READY, etc.) and single step, could easily be added to the Clock Generator to further enhance its capabilities.

For instance, the 20 MHz signal from the oscillator can be buffered so that it could provide the basis for communication baud rate generation.

The Clock Generator diagram also shows how to generate an advanced timing signal ($\phi 1A$) that is handy to use in clocking "D" type flipflops to synchronize external requests. It can also be used to generate a strobe (\overline{STSTB}) that is the latching signal for the status information which is available on the Data Bus at the beginning of each machine cycle. A simple gating of the SYNC signal from the 8080 and the advanced ($\phi 1A$) will do the job. See Figure 3-3.

3. Bi-Directional Bus Driver and System Control Logic

The system Memory and I/O devices communicate with the CPU over the bi-directional Data Bus. The system Control Bus is used to gate data on and off the Data Bus within the proper timing sequences as dictated by the operation of the 8080 CPU. The data lines of the 8080 CPU, Memory and I/O devices are 3-state in nature, that is, their output drivers have the ability to be forced into a high-impedance mode and are, effectively, removed from the circuit. This 3-state bus technique allows the designer to construct a system around a single, eight (8) bit parallel, bi-directional Data Bus and simply gate the information on or off this bus by selecting or deselecting (3-stating) Memory and I/O devices with signals from the Control Bus.

Bi-Directional Data Bus Driver Design

The 8080 Data Bus (D7-D0) has two (2) major areas of concern for the designer:

1. Input Voltage level (V_{IH}) 3.3 volts minimum.
2. Output Drive Capability (I_{OL}) 1.7 mA maximum.

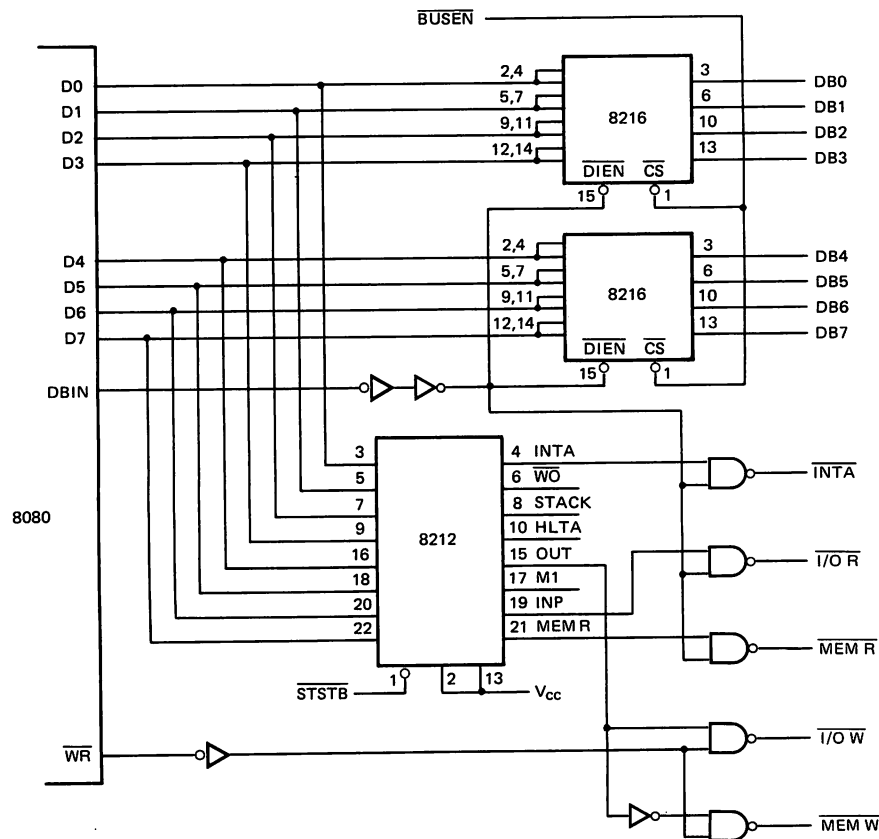


Figure 3-5. 8080 System Control

The input level specification implies that any semiconductor memory or I/O device connected to the 8080 Data Bus must be able to provide a minimum of 3.3 volts in its high state. Most semiconductor memories and standard TTL I/O devices have an output capability of between 2.0 and 2.8 volts, obviously a direct connection onto the 8080 Data Bus would require pullup resistors, whose value should not affect the bus speed or stress the drive capability of the memory or I/O components.

The 8080A output drive capability (I_{OL}) 1.9mA max. is sufficient for small systems where Memory size and I/O requirements are minimal and the entire system is contained on a single printed circuit board. Most systems however, take advantage of the high-performance computing power of the 8080 CPU and thus a more typical system would require some form of buffering on the 8080 Data Bus to support a larger array of Memory and I/O devices which are likely to be on separate boards.

A device specifically designed to do this buffering function is the INTEL[®] 8216, a (4) four bit bi-directional bus driver whose input voltage level is compatible with standard TTL devices and semiconductor memory components, and has output drive capability of 50 mA. At the 8080 side, the 8216 has a "high" output of 3.65 volts that not only meets the 8080 input spec but provides the designer with a worse case 350 mV noise margin.

A pair of 8216's are connected directly to the 8080 Data Bus (D7-D0) as shown in figure 3-5. Note that the DBIN signal from the 8080 is connected to the direction control input (\overline{DIEN}) so the correct flow of data on the bus is maintained. The chip select (\overline{CS}) of the 8216 is connected to BUS ENABLE (\overline{BUSEN}) to allow for DMA activities by deselecting the Data Bus Buffer and forcing the outputs of the 8216's into their high impedance (3-state) mode. This allows other devices to gain access to the data bus (DMA).

System Control Logic Design

The Control Bus maintains discipline of the bi-directional Data Bus, that is, it determines what type of device will have access to the bus (Memory or I/O) and generates signals to assure that these devices transfer Data with the 8080 CPU within the proper timing "windows" as dictated by the CPU operational characteristics.

As described previously, the 8080 issues Status information at the beginning of each Machine Cycle on its Data Bus to indicate what operation will take place during that cycle. A simple (8) bit latch, like an INTEL[®] 8212, connected directly to the 8080 Data Bus (D7-D0) as shown in figure 3-5 will store the

Status information. The signal that loads the data into the Status Latch comes from the Clock Generator, it is Status Strobe (\overline{STSTB}) and occurs at the start of each Machine Cycle.

Note that the Status Latch is connected onto the 8080 Data Bus (D7-D0) before the Bus Buffer. This is to maintain the integrity of the Data Bus and simplify Control Bus timing in DMA dependent environments.

As shown in the diagram, a simple gating of the outputs of the Status Latch with the DBIN and \overline{WR} signals from the 8080 generate the (4) four Control signals that make up the basic Control Bus.

- These four signals:
1. Memory Read ($\overline{MEM R}$)
 2. Memory Write ($\overline{MEM W}$)
 3. I/O Read ($\overline{I/O R}$)
 4. I/O Write ($\overline{I/O W}$)

connect directly to the MCS-80[™] component "family" of ROMs, RAMs and I/O devices.

A fifth signal, Interrupt Acknowledge (\overline{INTA}) is added to the Control Bus by gating data off the Status Latch with the DBIN signal from the 8080 CPU. This signal is used to enable the Interrupt Instruction Port which holds the RST instruction onto the Data Bus.

Other signals that are part of the Control Bus such as \overline{WO} , Stack and M1 are present to aid in the testing of the System and also to simplify interfacing the CPU to dynamic memories or very large systems that require several levels of bus buffering.

Address Buffer Design

The Address Bus (A15-A0) of the 8080, like the Data Bus, is sufficient to support a small system that has a moderate size Memory and I/O structure, confined to a single card. To expand the size of the system that the Address Bus can support a simple buffer can be added, as shown in figure 3-6. The INTEL[®] 8212 or 8216 is an excellent device for this function. They provide low input loading (.25 mA), high output drive and insert a minimal delay in the System Timing.

Note that BUS ENABLE (\overline{BUSEN}) is connected to the buffers so that they are forced into their high-impedance (3-state) mode during DMA activities so that other devices can gain access to the Address Bus.

INTERFACING THE 8080 CPU TO MEMORY AND I/O DEVICES

The 8080 interfaces with standard semiconductor Memory components and I/O devices. In the previous text the proper control signals and buffering were developed which will produce a simple bus system similar to the basic system example shown at the beginning of this chapter.

In Figure 3-6 a simple, but exact 8080 typical system is shown that can be used as a guide for any 8080 system, regardless of size or complexity. It is a "three bus" architecture, using the signals developed in the CPU module.

Note that Memory and I/O devices interface in the same manner and that their isolation is only a function of the definition of the Read-Write signals on the Control Bus. This allows the 8080 system to be configured so that Memory and I/O are treated as a single array (memory mapped I/O) for small systems that require high thruput and have less than 32K memory size. This approach will be brought out later in the chapter.

ROM INTERFACE

A ROM is a device that stores data in the form of Program or other information such as "look-up tables" and is only read from, thus the term Read Only Memory. This type of memory is generally non-volatile, meaning that when the power is removed the information is retained.

This feature eliminates the need for extra equipment like tape readers and disks to load programs initially, an important aspect in small system design.

Interfacing standard ROMs, such as the devices shown in the diagram is simple and direct. The output Data lines are connected to the bi-directional Data Bus, the Address inputs tie to the Address bus with possible decoding of the most significant bits as "chip selects" and the $\overline{\text{MEMR}}$ signal from the Control Bus connected to a "chip select" or data buffer. Basically, the CPU issues an address during the first portion of an instruction or data fetch (T1 & T2). This value on the Address Bus selects a specific location within the ROM, then depending on the ROM's delay (access time) the data stored at the addressed location is present at the Data output lines. At this time (T3) the CPU Data Bus is in the "input Mode" and the control logic issues a Memory Read command ($\overline{\text{MEMR}}$) that gates the addressed data on to the Data Bus.

RAM INTERFACE

A RAM is a device that stores data. This data can be program, active "look-up tables," temporary values or external stacks. The difference between RAM and ROM is that data can be written into such devices and are in essence, Read/Write storage elements. RAMs do not hold their data when power is removed so in the case where Program or "look-up tables" data is stored a method to load

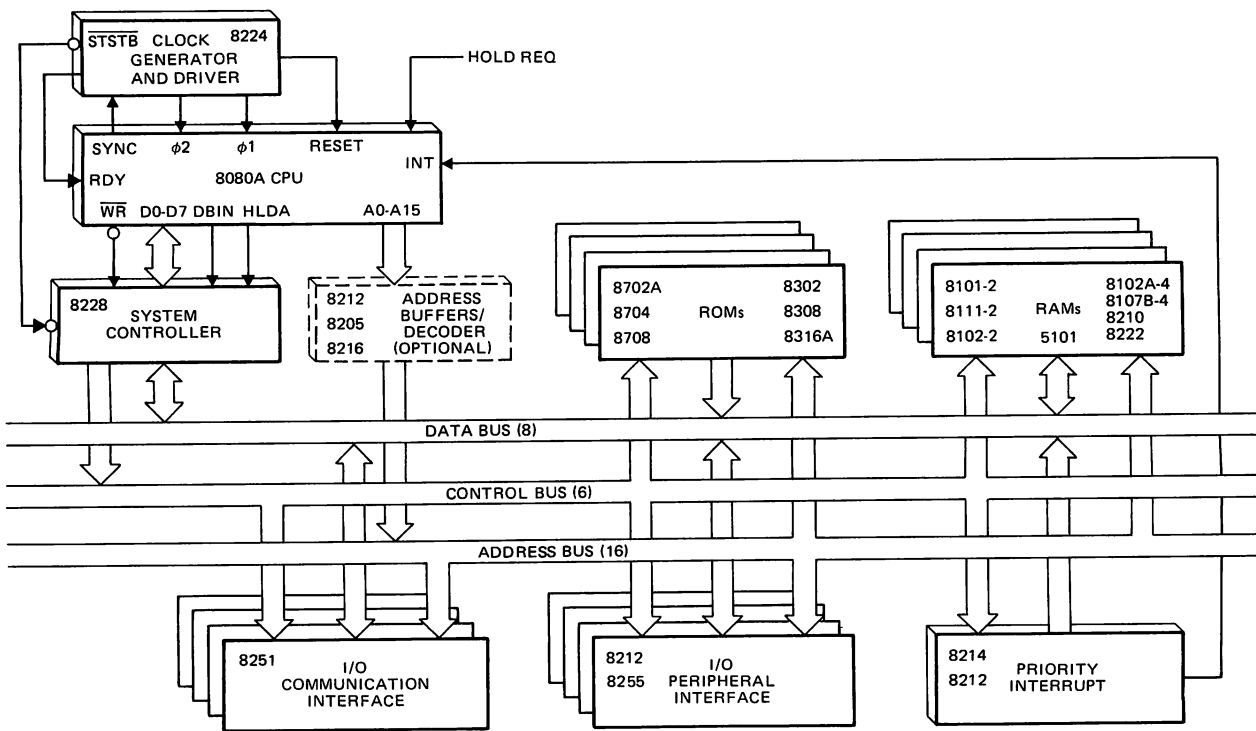


Figure 3-6. Microcomputer System

RAM memory must be provided, such as: Floppy Disk, Paper Tape, etc.

The CPU treats RAM in exactly the same manner as ROM for addressing data to be read. Writing data is very similar; the RAM is issued an address during the first portion of the Memory Write cycle (T1 & T2) in T3 when the data that is to be written is output by the CPU and is stable on the bus an $\overline{\text{MEMW}}$ command is generated. The $\overline{\text{MEMW}}$ signal is connected to the R/W input of the RAM and strobes the data into the addressed location.

In Figure 3-7 a typical Memory system is illustrated to show how standard semiconductor components interface to the 8080 bus. The memory array shown has 8K bytes (8 bits/byte) of ROM storage, using four Intel[®] 8216As and 512 bytes of RAM storage, using Intel 8111 static RAMs. The basic interface to the bus structure detailed here is common to almost any size memory. The only addition that might have to be made for larger systems is more buffers (8216/8212) and decoders (8205) for generating "chip selects."

The memories chosen for this example have an access time of 850 nS (max) to illustrate that slower, economical devices can be easily interfaced to the 8080 with little effect on performance. When the 8080 is operated from a clock generator with a tCY of 500 nS the required memory access time is Approx. 450-550 nS. See detailed timing specification Pg. 5-16. Using memory devices of this speed such as Intel[®] 8308, 8102A, 8107A, etc. the READY input to the 8080 CPU can remain "high" because no "wait" states are required. Note that the bus interface to memory shown in Figure 3-7 remains the same. However, if slower memories are to be used, such as the devices illustrated (8316A, 8111) that have access times slower than the minimum requirement a simple logic control of the READY input to the 8080 CPU will insert an extra "wait state" that is equal to one or more clock periods as an access time "adjustment" delay to compensate. The effect of the extra "wait" state is naturally a slower execution time for the instruction. A single "wait" changes the basic instruction cycle to 2.5 microSeconds.

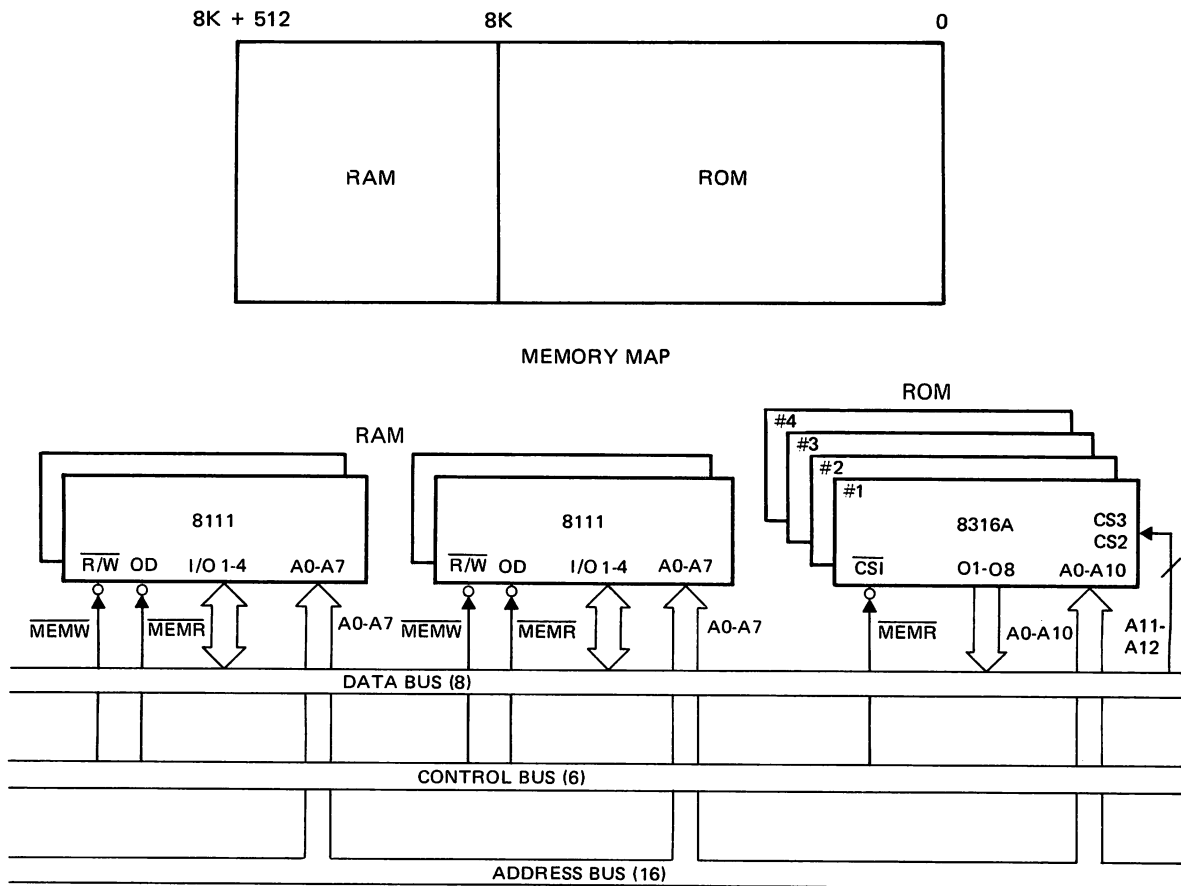


Figure 3-7. Typical Memory Interface

I/O INTERFACE

General Theory

As in any computer based system, the 8080 CPU must be able to communicate with devices or structures that exist outside its normal memory array. Devices like keyboards, paper tape, floppy disks, printers, displays and other control structures are used to input information into the 8080 CPU and display or store the results of the computational activity.

Probably the most important and strongest feature of the 8080 Microcomputer System is the flexibility and power of its I/O structure and the components that support it. There are many ways to structure the I/O array so that it will "fit" the total system environment to maximize efficiency and minimize component count.

The basic operation of the I/O structure can best be viewed as an array of single byte memory locations that can be Read from or Written into. The 8080 CPU has special instructions devoted to managing such transfers (IN, OUT). These instructions generally isolate memory and I/O arrays so that memory address space is not effected by the I/O structure and the general concept is that of a simple transfer to or from the Accumulator with an addressed "PORT". Another method of I/O architecture is to treat the I/O structure as part of the Memory array. This is generally referred to as "Memory Mapped I/O" and provides the designer with a powerful new "instruction set" devoted to I/O manipulation.

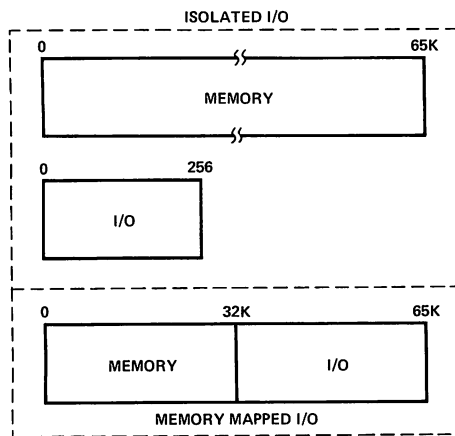


Figure 3-8. Memory/I/O Mapping.

Isolated I/O

In Figure 3-9 the system control signals, previously detailed in this chapter, are shown. This type of I/O architecture separates the memory address space from the I/O address space and uses a conceptually simple transfer to or from Accumulator technique. Such an architecture is easy to understand because I/O communicates only with the Accumulator using the IN or OUT instructions. Also because of the isolation of memory and I/O, the full address space (65K) is unaffected by I/O addressing.

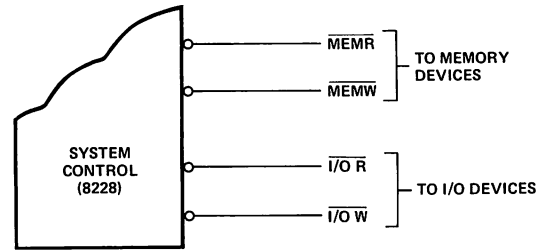


Figure 3-9. Isolated I/O.

Memory Mapped I/O

By assigning an area of memory address space as I/O a powerful architecture can be developed that can manipulate I/O using the same instructions that are used to manipulate memory locations. Thus, a "new" instruction set is created that is devoted to I/O handling.

As shown in Figure 3-10, new control signals are generated by gating the $\overline{\text{MEMR}}$ and $\overline{\text{MEMW}}$ signals with A₁₅, the most significant address bit. The new I/O control signals connect in exactly the same manner as Isolated I/O, thus the system bus characteristics are unchanged.

By assigning A₁₅ as the I/O "flag", a simple method of I/O discipline is maintained:

- If A₁₅ is a "zero" then Memory is active.
- If A₁₅ is a "one" then I/O is active.

Other address bits can also be used for this function. A₁₅ was chosen because it is the most significant address bit so it is easier to control with software and because it still allows memory addressing of 32K.

I/O devices are still considered addressed "ports" but instead of the Accumulator as the only transfer medium any of the internal registers can be used. All instructions that could be used to operate on memory locations can be used in I/O.

Examples:

MOVr, M	(Input Port to any Register)
MOV M, r	(Output any Register to Port)
MVI M	(Output immediate data to Port)
LDA	(Input to ACC)
STA	(Output from ACC to Port)
LHLD	(16 Bit Input)
SHLD	(16 Bit Output)
ADD M	(Add Port to ACC)
ANA M	("AND" Port with ACC)

It is easy to see that from the list of possible "new" instructions that this type of I/O architecture could have a drastic effect on increased system throughput. It is conceptually more difficult to understand than Isolated I/O and it does limit memory address space, but Memory Mapped I/O can mean a significant increase in overall speed and at the same time reducing required program memory area.

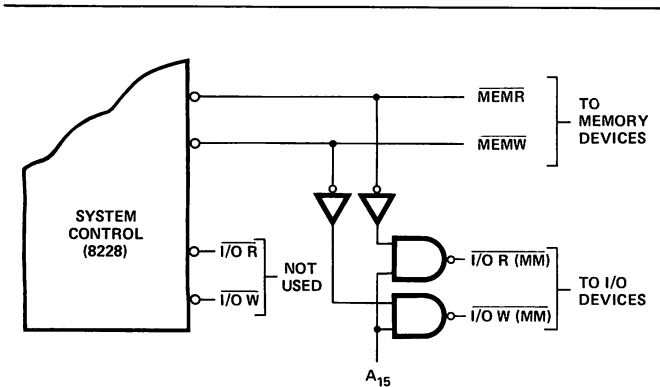


Figure 3-10. Memory Mapped I/O.

I/O Addressing

With both systems of I/O structure the addressing of each device can be configured to optimize efficiency and reduce component count. One method, the most common, is to decode the address bus into exclusive "chip selects" that enable the addressed I/O device, similar to generating chip-selects in memory arrays.

Another method is called "linear select". In this method, instead of decoding the Address Bus, a singular bit from the bus is assigned as the exclusive enable for a specific I/O device. This method, of course, limits the number of I/O devices that can be addressed but eliminates the need for extra decoders, an important consideration in small system design.

A simple example illustrates the power of such a flexible I/O structure. The first example illustrates the format of the second byte of the IN or OUT instruction using the Isolated I/O technique. The devices used are Intel®8255 Programmable Peripheral Interface units and are linear selected. Each device has three ports and from the format it can be seen that six devices can be addressed without additional decoders.

EXAMPLE #1

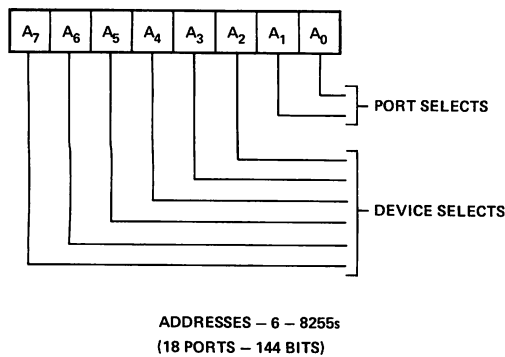


Figure 3-11. Isolated I/O - (Linear Select) (8255)

The second example uses Memory Mapped I/O and linear select to show how thirteen devices (8255) can be addressed without the use of extra decoders. The format shown could be the second and third bytes of the LDA or STA instructions or any other instructions used to manipulate I/O using the Memory Mapped technique.

It is easy to see that such a flexible I/O structure, that can be "tailored" to the overall system environment, provides the designer with a powerful tool to optimize efficiency and minimize component count.

EXAMPLE #2

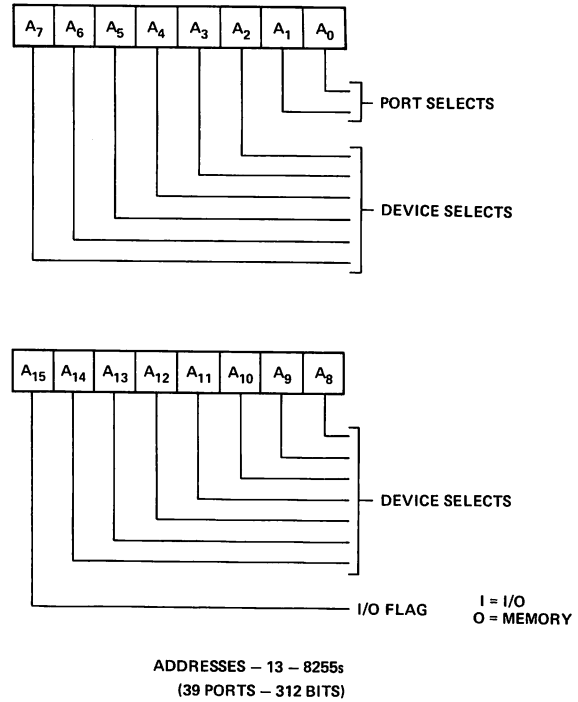


Figure 3-12. Memory Mapped I/O - (Linear Select) (8255)

I/O Interface Example

In Figure 3-16 a typical I/O system is shown that uses a variety of devices (8212, 8251 and 8255). It could be used to interface the peripherals around an intelligent CRT terminals; keyboards, display, and communication interface. Another application could be in a process controller to interface sensors, relays, and motor controls. The limitation of the application area for such a circuit is solely that of the designers imagination.

The I/O structure shown interfaces to the 8080 CPU using the bus architecture developed previously in this chapter. Either Isolated or Memory Mapped techniques can be used, depending on the system I/O environment.

The 8251 provides a serial data communication interface so that the system can transmit and receive data over communication links such as telephone lines.

The three 8212s can be used to drive long lines or LED indicators due to their high drive capability. (15mA)

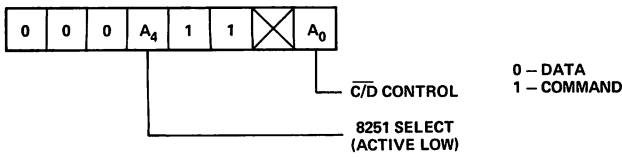


Figure 3-13. 8251 Format.

The two (2) 8255s provide twenty four bits each of programmable I/O data and control so that keyboards, sensors, paper tape, etc., can be interfaced to the system.

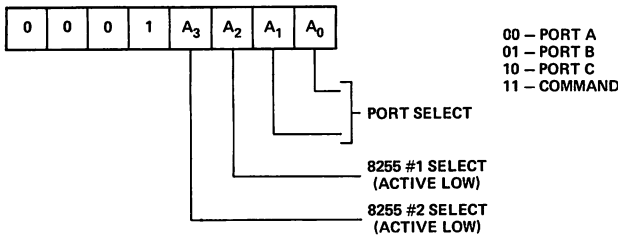


Figure 3-14. 8255 Format.

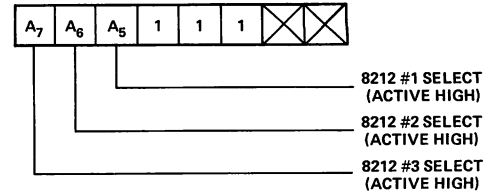


Figure 3-15. 8212 Format.

Addressing the structure is described in the formats illustrated in Figures 3-13, 3-14, 3-15. Linear Select is used so that no decoders are required thus, each device has an exclusive "enable bit".

The example shows how a powerful yet flexible I/O structure can be created using a minimum component count with devices that are all members of the 8080 Microcomputer System.

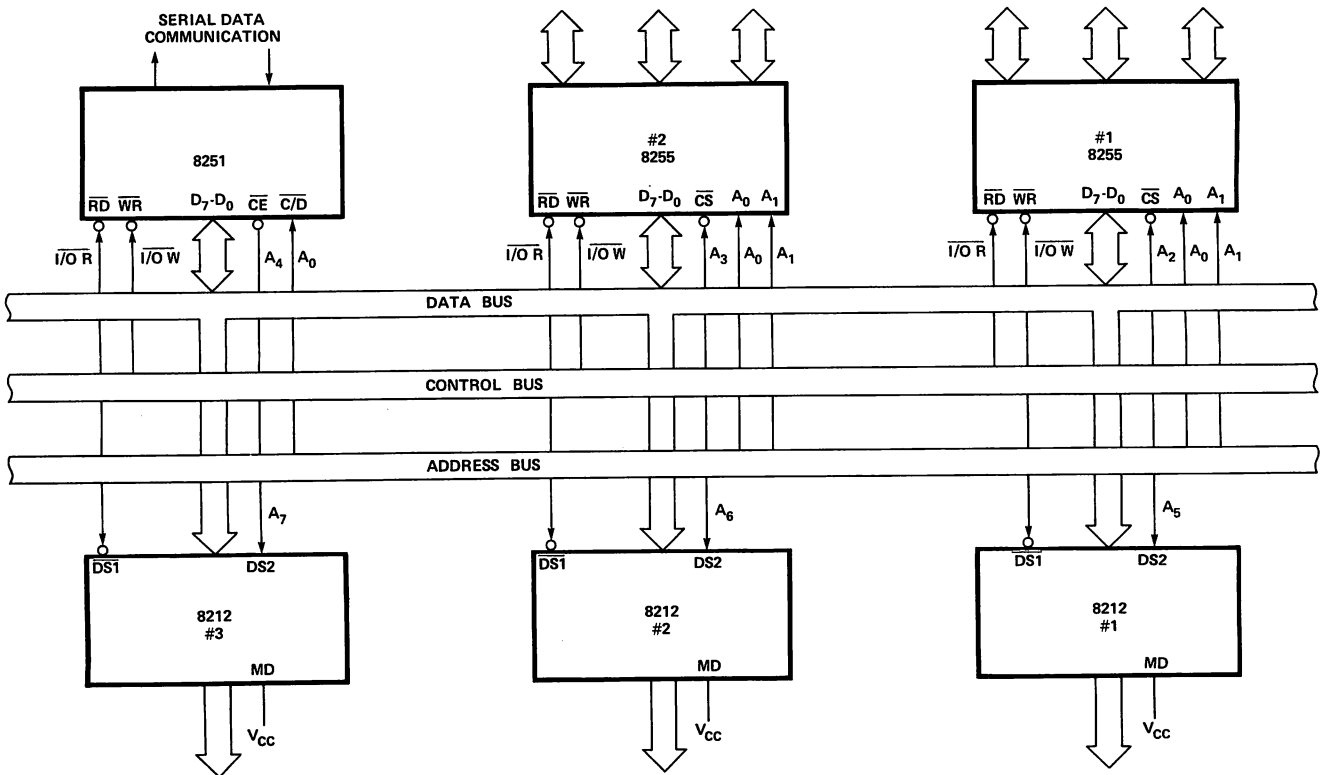


Figure 3-16. Typical I/O Interface.

CHAPTER 4 INSTRUCTION SET

A computer, no matter how sophisticated, can only do what it is “told” to do. One “tells” the computer what to do via a series of coded instructions referred to as a **Program**. The realm of the programmer is referred to as **Software**, in contrast to the **Hardware** that comprises the actual computer equipment. A computer’s software refers to all of the programs that have been written for that computer.

When a computer is designed, the engineers provide the Central Processing Unit (CPU) with the ability to perform a particular set of operations. The CPU is designed such that a specific operation is performed when the CPU control logic decodes a particular instruction. Consequently, the operations that can be performed by a CPU define the computer’s **Instruction Set**.

Each computer instruction allows the programmer to initiate the performance of a specific operation. All computers implement certain arithmetic operations in their instruction set, such as an instruction to add the contents of two registers. Often logical operations (e.g., OR the contents of two registers) and register operate instructions (e.g., increment a register) are included in the instruction set. A computer’s instruction set will also have instructions that move data between registers, between a register and memory, and between a register and an I/O device. Most instruction sets also provide **Conditional Instructions**. A conditional instruction specifies an operation to be performed only if certain conditions have been met; for example, jump to a particular instruction if the result of the last operation was zero. Conditional instructions provide a program with a decision-making capability.

By logically organizing a sequence of instructions into a coherent program, the programmer can “tell” the computer to perform a very specific and useful function.

The computer, however, can only execute programs whose instructions are in a binary coded form (i.e., a series of 1’s and 0’s), that is called **Machine Code**. Because it would be extremely cumbersome to program in machine code, programming languages have been developed. There

are programs available which convert the programming language instructions into machine code that can be interpreted by the processor.

One type of programming language is **Assembly Language**. A unique assembly language mnemonic is assigned to each of the computer’s instructions. The programmer can write a program (called the **Source Program**) using these mnemonics and certain operands; the source program is then converted into machine instructions (called the **Object Code**). Each assembly language instruction is converted into one machine code instruction (1 or more bytes) by an **Assembler** program. Assembly languages are usually machine dependent (i.e., they are usually able to run on only one type of computer).

THE 8080 INSTRUCTION SET

The 8080 instruction set includes five different types of instructions:

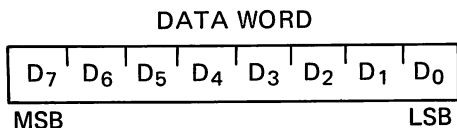
- **Data Transfer Group**—move data between registers or between memory and registers
- **Arithmetic Group** – add, subtract, increment or decrement data in registers or in memory
- **Logical Group** – AND, OR, EXCLUSIVE-OR, compare, rotate or complement data in registers or in memory
- **Branch Group** – conditional and unconditional jump instructions, subroutine call instructions and return instructions
- **Stack, I/O and Machine Control Group** – includes I/O instructions, as well as instructions for maintaining the stack and internal control flags.

Instruction and Data Formats:

Memory for the 8080 is organized into 8-bit quantities, called Bytes. Each byte has a unique 16-bit binary address corresponding to its sequential position in memory.

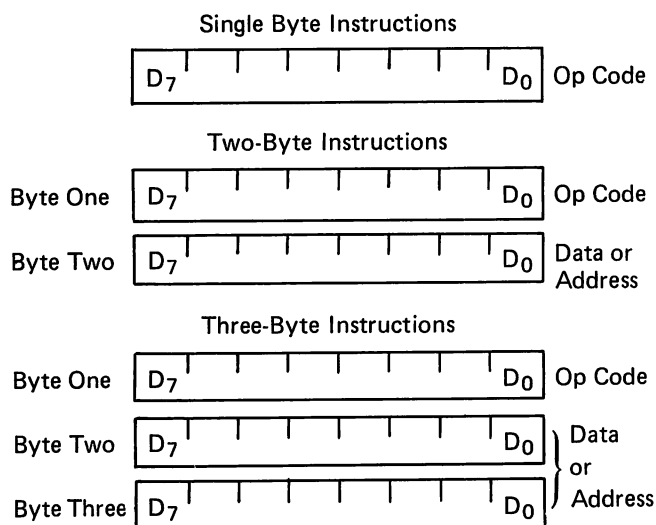
The 8080 can directly address up to 65,536 bytes of memory, which may consist of both read-only memory (ROM) elements and random-access memory (RAM) elements (read/write memory).

Data in the 8080 is stored in the form of 8-bit binary integers:



When a register or data word contains a binary number, it is necessary to establish the order in which the bits of the number are written. In the Intel 8080, BIT 0 is referred to as the **Least Significant Bit (LSB)**, and BIT 7 (of an 8 bit number) is referred to as the **Most Significant Bit (MSB)**.

The 8080 program instructions may be one, two or three bytes in length. Multiple byte instructions must be stored in successive memory locations; the address of the first byte is always used as the address of the instructions. The exact instruction format will depend on the particular operation to be executed.



Addressing Modes:

Often the data that is to be operated on is stored in memory. When multi-byte numeric data is used, the data, like instructions, is stored in successive memory locations, with the least significant byte first, followed by increasingly significant bytes. The 8080 has four different modes for addressing data stored in memory or in registers:

- **Direct** – Bytes 2 and 3 of the instruction contain the exact memory address of the data item (the low-order bits of the address are in byte 2, the high-order bits in byte 3).
- **Register** – The instruction specifies the register or register-pair in which the data is located.
- **Register Indirect** – The instruction specifies a register-pair which contains the memory

address where the data is located (the high-order bits of the address are in the first register of the pair, the low-order bits in the second).

- **Immediate** – The instruction contains the data itself. This is either an 8-bit quantity or a 16-bit quantity (least significant byte first, most significant byte second).

Unless directed by an interrupt or branch instruction, the execution of instructions proceeds through consecutively increasing memory locations. A branch instruction can specify the address of the next instruction to be executed in one of two ways:

- **Direct** – The branch instruction contains the address of the next instruction to be executed. (Except for the 'RST' instruction, byte 2 contains the low-order address and byte 3 the high-order address.)
- **Register indirect** – The branch instruction indicates a register-pair which contains the address of the next instruction to be executed. (The high-order bits of the address are in the first register of the pair, the low-order bits in the second.)

The RST instruction is a special one-byte call instruction (usually used during interrupt sequences). RST includes a three-bit field; program control is transferred to the instruction whose address is eight times the contents of this three-bit field.

Condition Flags:

There are five condition flags associated with the execution of instructions on the 8080. They are Zero, Sign, Parity, Carry, and Auxiliary Carry, and are each represented by a 1-bit register in the CPU. A flag is "set" by forcing the bit to 1; "reset" by forcing the bit to 0.

Unless indicated otherwise, when an instruction affects a flag, it affects it in the following manner:

- Zero:** If the result of an instruction has the value 0, this flag is set; otherwise it is reset.
- Sign:** If the most significant bit of the result of the operation has the value 1, this flag is set; otherwise it is reset.
- Parity:** If the modulo 2 sum of the bits of the result of the operation is 0, (i.e., if the result has even parity), this flag is set; otherwise it is reset (i.e., if the result has odd parity).
- Carry:** If the instruction resulted in a carry (from addition), or a borrow (from subtraction or a comparison) out of the high-order bit, this flag is set; otherwise it is reset.

Auxiliary Carry: If the instruction caused a carry out of bit 3 and into bit 4 of the resulting value, the auxiliary carry is set; otherwise it is reset. This flag is affected by single precision additions, subtractions, increments, decrements, comparisons, and logical operations, but is principally used with additions and increments preceding a DAA (Decimal Adjust Accumulator) instruction.

Symbols and Abbreviations:

The following symbols and abbreviations are used in the subsequent description of the 8080 instructions:

SYMBOLS MEANING

accumulator	Register A
addr	16-bit address quantity
data	8-bit data quantity
data 16	16-bit data quantity
byte 2	The second byte of the instruction
byte 3	The third byte of the instruction
port	8-bit address of an I/O device
r,r1,r2	One of the registers A,B,C,D,E,H,L
DDD,SSS	The bit pattern designating one of the registers A,B,C,D,E,H,L (DDD=destination, SSS=source):

DDD or SSS	REGISTER NAME
111	A
000	B
001	C
010	D
011	E
100	H
101	L

rp One of the register pairs:
 B represents the B,C pair with B as the high-order register and C as the low-order register;
 D represents the D,E pair with D as the high-order register and E as the low-order register;
 H represents the H,L pair with H as the high-order register and L as the low-order register;
 SP represents the 16-bit stack pointer register.

RP The bit pattern designating one of the register pairs B,D,H,SP:

RP	REGISTER PAIR
00	B-C
01	D-E
10	H-L
11	SP

rh	The first (high-order) register of a designated register pair.
rl	The second (low-order) register of a designated register pair.
PC	16-bit program counter register (PCH and PCL are used to refer to the high-order and low-order 8 bits respectively).
SP	16-bit stack pointer register (SPH and SPL are used to refer to the high-order and low-order 8 bits respectively).
r _m	Bit m of the register r (bits are number 7 through 0 from left to right).
Z,S,P,CY,AC	The condition flags: Zero, Sign, Parity, Carry, and Auxiliary Carry, respectively.
()	The contents of the memory location or registers enclosed in the parentheses.
←	"Is transferred to"
∧	Logical AND
∨	Exclusive OR
∨	Inclusive OR
+	Addition
−	Two's complement subtraction
*	Multiplication
↔	"Is exchanged with"
—	The one's complement (e.g., \overline{A})
n	The restart number 0 through 7
NNN	The binary representation 000 through 111 for restart number 0 through 7 respectively.

Description Format:

The following pages provide a detailed description of the instruction set of the 8080. Each instruction is described in the following manner:

1. The MAC 80 assembler format, consisting of the instruction mnemonic and operand fields, is printed in **BOLDFACE** on the left side of the first line.
2. The name of the instruction is enclosed in parenthesis on the right side of the first line.
3. The next line(s) contain a symbolic description of the operation of the instruction.
4. This is followed by a narrative description of the operation of the instruction.
5. The following line(s) contain the binary fields and patterns that comprise the machine instruction.

6. The last four lines contain incidental information about the execution of the instruction. The number of machine cycles and states required to execute the instruction are listed first. If the instruction has two possible execution times, as in a Conditional Jump, both times will be listed, separated by a slash. Next, any significant data addressing modes (see Page 4-2) are listed. The last line lists any of the five Flags that are affected by the execution of the instruction.

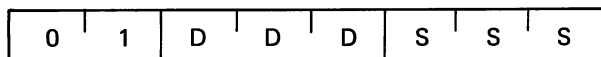
Data Transfer Group:

This group of instructions transfers data to and from registers and memory. **Condition flags are not affected** by any instruction in this group.

MOV r1, r2 (Move Register)

$(r1) \leftarrow (r2)$

The content of register r2 is moved to register r1.



Cycles: 1

States: 5

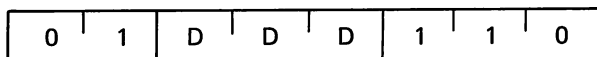
Addressing: register

Flags: none

MOV r, M (Move from memory)

$(r) \leftarrow ((H) (L))$

The content of the memory location, whose address is in registers H and L, is moved to register r.



Cycles: 2

States: 7

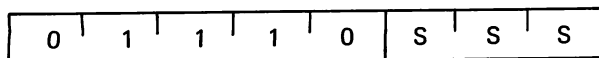
Addressing: reg. indirect

Flags: none

MOV M, r (Move to memory)

$((H) (L)) \leftarrow (r)$

The content of register r is moved to the memory location whose address is in registers H and L.



Cycles: 2

States: 7

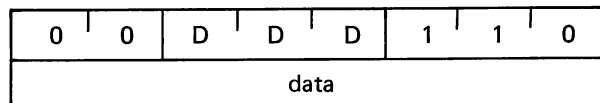
Addressing: reg. indirect

Flags: none

MVI r, data (Move Immediate)

$(r) \leftarrow (\text{byte } 2)$

The content of byte 2 of the instruction is moved to register r.



Cycles: 2

States: 7

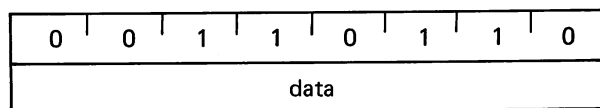
Addressing: immediate

Flags: none

MVI M, data (Move to memory immediate)

$((H) (L)) \leftarrow (\text{byte } 2)$

The content of byte 2 of the instruction is moved to the memory location whose address is in registers H and L.



Cycles: 3

States: 10

Addressing: immed./reg. indirect

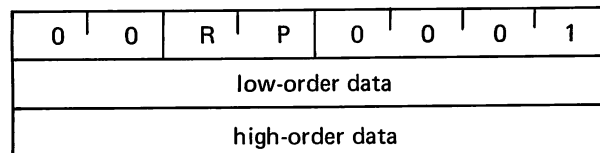
Flags: none

LXI rp, data 16 (Load register pair immediate)

$(rh) \leftarrow (\text{byte } 3),$

$(rl) \leftarrow (\text{byte } 2)$

Byte 3 of the instruction is moved into the high-order register (rh) of the register pair rp. Byte 2 of the instruction is moved into the low-order register (rl) of the register pair rp.



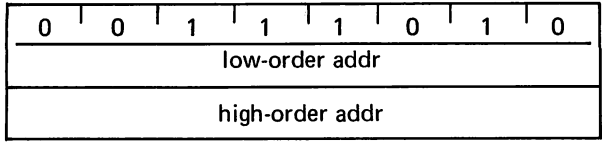
Cycles: 3

States: 10

Addressing: immediate

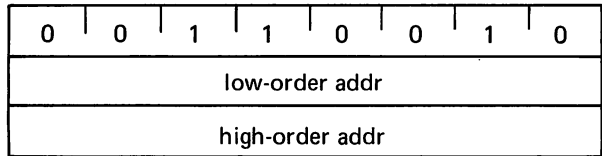
Flags: none

LDA addr (Load Accumulator direct)
 $(A) \leftarrow ((\text{byte } 3)(\text{byte } 2))$
 The content of the memory location, whose address is specified in byte 2 and byte 3 of the instruction, is moved to register A.



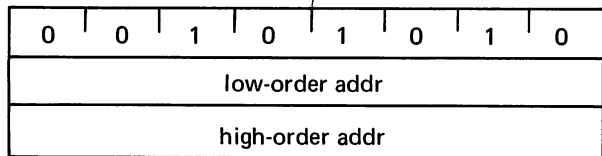
Cycles: 4
 States: 13
 Addressing: direct
 Flags: none

STA addr (Store Accumulator direct)
 $((\text{byte } 3)(\text{byte } 2)) \leftarrow (A)$
 The content of the accumulator is moved to the memory location whose address is specified in byte 2 and byte 3 of the instruction.



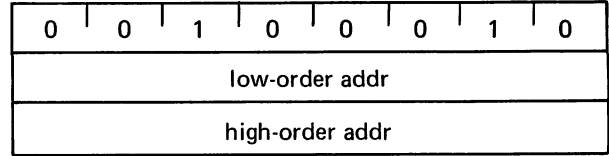
Cycles: 4
 States: 13
 Addressing: direct
 Flags: none

LHLD addr (Load H and L direct)
 $(L) \leftarrow ((\text{byte } 3)(\text{byte } 2))$
 $(H) \leftarrow ((\text{byte } 3)(\text{byte } 2) + 1)$
 The content of the memory location, whose address is specified in byte 2 and byte 3 of the instruction, is moved to register L. The content of the memory location at the succeeding address is moved to register H.



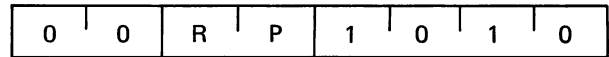
Cycles: 5
 States: 16
 Addressing: direct
 Flags: none

SHLD addr (Store H and L direct)
 $((\text{byte } 3)(\text{byte } 2)) \leftarrow (L)$
 $((\text{byte } 3)(\text{byte } 2) + 1) \leftarrow (H)$
 The content of register L is moved to the memory location whose address is specified in byte 2 and byte 3. The content of register H is moved to the succeeding memory location.



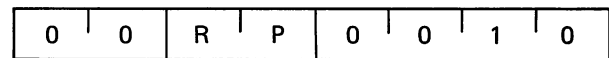
Cycles: 5
 States: 16
 Addressing: direct
 Flags: none

LDAX rp (Load accumulator indirect)
 $(A) \leftarrow ((rp))$
 The content of the memory location, whose address is in the register pair rp, is moved to register A. Note: only register pairs rp=B (registers B and C) or rp=D (registers D and E) may be specified.



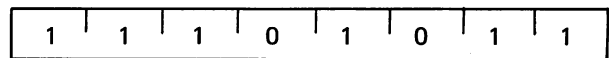
Cycles: 2
 States: 7
 Addressing: reg. indirect
 Flags: none

STAX rp (Store accumulator indirect)
 $((rp)) \leftarrow (A)$
 The content of register A is moved to the memory location whose address is in the register pair rp. Note: only register pairs rp=B (registers B and C) or rp=D (registers D and E) may be specified.



Cycles: 2
 States: 7
 Addressing: reg. indirect
 Flags: none

XCHG (Exchange H and L with D and E)
 $(H) \leftrightarrow (D)$
 $(L) \leftrightarrow (E)$
 The contents of registers H and L are exchanged with the contents of registers D and E.



Cycles: 1
 States: 4
 Addressing: register
 Flags: none

Arithmetic Group:

This group of instructions performs arithmetic operations on data in registers and memory.

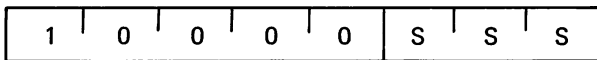
Unless indicated otherwise, all instructions in this group affect the Zero, Sign, Parity, Carry, and Auxiliary Carry flags according to the standard rules.

All subtraction operations are performed via two's complement arithmetic and set the carry flag to one to indicate a borrow and clear it to indicate no borrow.

ADD r (Add Register)

$$(A) \leftarrow (A) + (r)$$

The content of register r is added to the content of the accumulator. The result is placed in the accumulator.

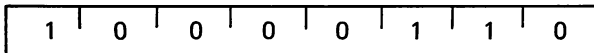


Cycles: 1
States: 4
Addressing: register
Flags: Z,S,P,CY,AC

ADD M (Add memory)

$$(A) \leftarrow (A) + ((H) (L))$$

The content of the memory location whose address is contained in the H and L registers is added to the content of the accumulator. The result is placed in the accumulator.

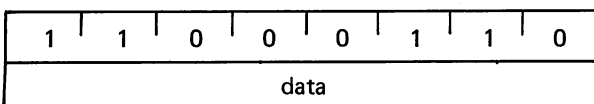


Cycles: 2
States: 7
Addressing: reg. indirect
Flags: Z,S,P,CY,AC

ADI data (Add immediate)

$$(A) \leftarrow (A) + (\text{byte 2})$$

The content of the second byte of the instruction is added to the content of the accumulator. The result is placed in the accumulator.

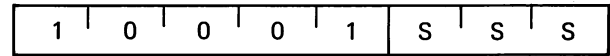


Cycles: 2
States: 7
Addressing: immediate
Flags: Z,S,P,CY,AC

ADC r (Add Register with carry)

$$(A) \leftarrow (A) + (r) + (CY)$$

The content of register r and the content of the carry bit are added to the content of the accumulator. The result is placed in the accumulator.

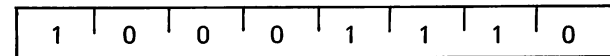


Cycles: 1
States: 4
Addressing: register
Flags: Z,S,P,CY,AC

ADC M (Add memory with carry)

$$(A) \leftarrow (A) + ((H) (L)) + (CY)$$

The content of the memory location whose address is contained in the H and L registers and the content of the CY flag are added to the accumulator. The result is placed in the accumulator.

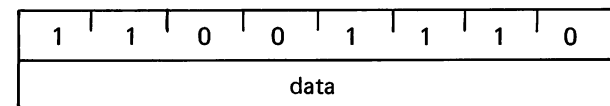


Cycles: 2
States: 7
Addressing: reg. indirect
Flags: Z,S,P,CY,AC

ACI data (Add immediate with carry)

$$(A) \leftarrow (A) + (\text{byte 2}) + (CY)$$

The content of the second byte of the instruction and the content of the CY flag are added to the contents of the accumulator. The result is placed in the accumulator.

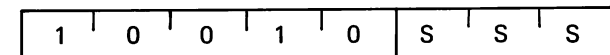


Cycles: 2
States: 7
Addressing: immediate
Flags: Z,S,P,CY,AC

SUB r (Subtract Register)

$$(A) \leftarrow (A) - (r)$$

The content of register r is subtracted from the content of the accumulator. The result is placed in the accumulator.

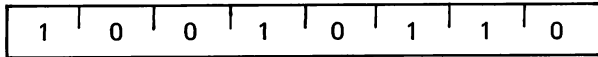


Cycles: 1
States: 4
Addressing: register
Flags: Z,S,P,CY,AC

SUB M (Subtract memory)

$$(A) \leftarrow (A) - ((H) (L))$$

The content of the memory location whose address is contained in the H and L registers is subtracted from the content of the accumulator. The result is placed in the accumulator.

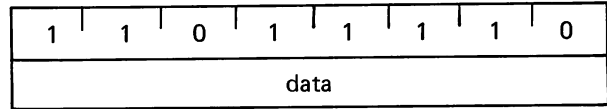


Cycles: 2
 States: 7
 Addressing: reg. indirect
 Flags: Z,S,P,CY,AC

SBI data (Subtract immediate with borrow)

$$(A) \leftarrow (A) - (\text{byte 2}) - (CY)$$

The contents of the second byte of the instruction and the contents of the CY flag are both subtracted from the accumulator. The result is placed in the accumulator.

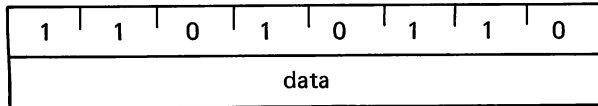


Cycles: 2
 States: 7
 Addressing: immediate
 Flags: Z,S,P,CY,AC

SUI data (Subtract immediate)

$$(A) \leftarrow (A) - (\text{byte 2})$$

The content of the second byte of the instruction is subtracted from the content of the accumulator. The result is placed in the accumulator.

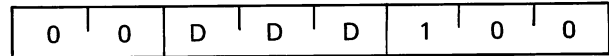


Cycles: 2
 States: 7
 Addressing: immediate
 Flags: Z,S,P,CY,AC

INR r (Increment Register)

$$(r) \leftarrow (r) + 1$$

The content of register r is incremented by one. Note: All condition flags **except** CY are affected.

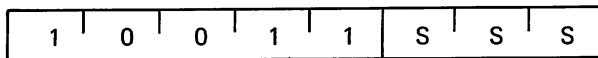


Cycles: 1
 States: 5
 Addressing: register
 Flags: Z,S,P,AC

SBB r (Subtract Register with borrow)

$$(A) \leftarrow (A) - (r) - (CY)$$

The content of register r and the content of the CY flag are both subtracted from the accumulator. The result is placed in the accumulator.

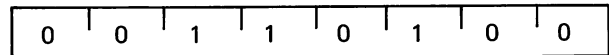


Cycles: 1
 States: 4
 Addressing: register
 Flags: Z,S,P,CY,AC

INR M (Increment memory)

$$((H) (L)) \leftarrow ((H) (L)) + 1$$

The content of the memory location whose address is contained in the H and L registers is incremented by one. Note: All condition flags **except** CY are affected.

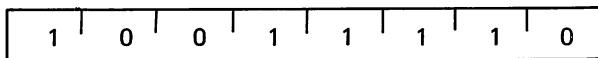


Cycles: 3
 States: 10
 Addressing: reg. indirect
 Flags: Z,S,P,AC

SBB M (Subtract memory with borrow)

$$(A) \leftarrow (A) - ((H) (L)) - (CY)$$

The content of the memory location whose address is contained in the H and L registers and the content of the CY flag are both subtracted from the accumulator. The result is placed in the accumulator.

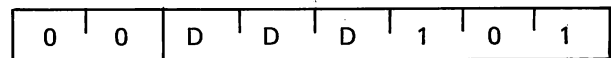


Cycles: 2
 States: 7
 Addressing: reg. indirect
 Flags: Z,S,P,CY,AC

DCR r (Decrement Register)

$$(r) \leftarrow (r) - 1$$

The content of register r is decremented by one. Note: All condition flags **except** CY are affected.

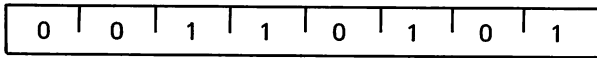


Cycles: 1
 States: 5
 Addressing: register
 Flags: Z,S,P,AC

DCR M (Decrement memory)

$$((H) (L)) \leftarrow ((H) (L)) - 1$$

The content of the memory location whose address is contained in the H and L registers is decremented by one. Note: All condition flags **except CY** are affected.

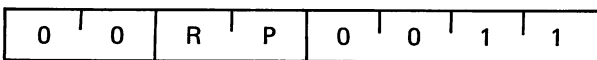


Cycles: 3
 States: 10
 Addressing: reg. indirect
 Flags: Z,S,P,AC

INX rp (Increment register pair)

$$(rh) (rl) \leftarrow (rh) (rl) + 1$$

The content of the register pair *rp* is incremented by one. Note: **No condition flags are affected.**

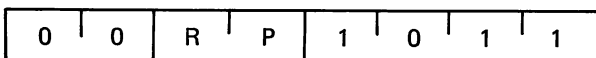


Cycles: 1
 States: 5
 Addressing: register
 Flags: none

DCX rp (Decrement register pair)

$$(rh) (rl) \leftarrow (rh) (rl) - 1$$

The content of the register pair *rp* is decremented by one. Note: **No condition flags are affected.**

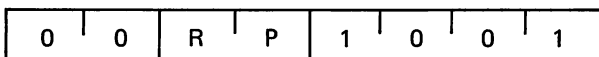


Cycles: 1
 States: 5
 Addressing: register
 Flags: none

DAD rp (Add register pair to H and L)

$$(H) (L) \leftarrow (H) (L) + (rh) (rl)$$

The content of the register pair *rp* is added to the content of the register pair H and L. The result is placed in the register pair H and L. Note: **Only the CY flag is affected.** It is set if there is a carry out of the double precision add; otherwise it is reset.



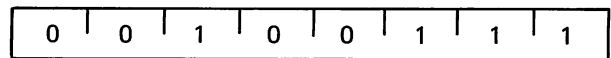
Cycles: 3
 States: 10
 Addressing: register
 Flags: CY

DAA (Decimal Adjust Accumulator)

The eight-bit number in the accumulator is adjusted to form two four-bit Binary-Coded-Decimal digits by the following process:

1. If the value of the least significant 4 bits of the accumulator is greater than 9 or if the AC flag is set, 6 is added to the accumulator.
2. If the value of the most significant 4 bits of the accumulator is now greater than 9, or if the CY flag is set, 6 is added to the most significant 4 bits of the accumulator.

NOTE: All flags are affected.



Cycles: 1
 States: 4
 Flags: Z,S,P,CY,AC

Logical Group:

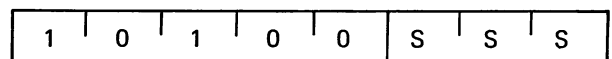
This group of instructions performs logical (Boolean) operations on data in registers and memory and on condition flags.

Unless indicated otherwise, all instructions in this group affect the Zero, Sign, Parity, Auxiliary Carry, and Carry flags according to the standard rules.

ANA r (AND Register)

$$(A) \leftarrow (A) \wedge (r)$$

The content of register *r* is logically anded with the content of the accumulator. The result is placed in the accumulator. **The CY flag is cleared.**

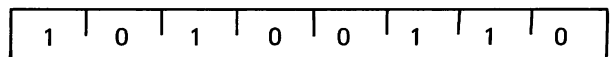


Cycles: 1
 States: 4
 Addressing: register
 Flags: Z,S,P,CY,AC

ANA M (AND memory)

$$(A) \leftarrow (A) \wedge ((H) (L))$$

The contents of the memory location whose address is contained in the H and L registers is logically anded with the content of the accumulator. The result is placed in the accumulator. **The CY flag is cleared.**

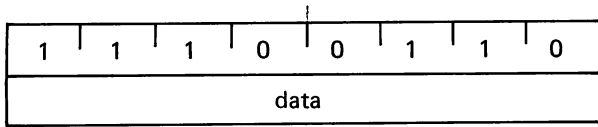


Cycles: 2
 States: 7
 Addressing: reg. indirect
 Flags: Z,S,P,CY,AC

ANI data (AND immediate)

$(A) \leftarrow (A) \wedge (\text{byte 2})$

The content of the second byte of the instruction is logically anded with the contents of the accumulator. The result is placed in the accumulator. **The CY and AC flags are cleared.**

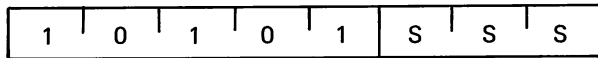


Cycles: 2
States: 7
Addressing: immediate
Flags: Z,S,P,CY,AC

XRA r (Exclusive OR Register)

$(A) \leftarrow (A) \vee (r)$

The content of register r is exclusive-or'd with the content of the accumulator. The result is placed in the accumulator. **The CY and AC flags are cleared.**

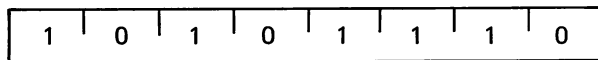


Cycles: 1
States: 4
Addressing: register
Flags: Z,S,P,CY,AC

XRA M (Exclusive OR Memory)

$(A) \leftarrow (A) \vee ((H) (L))$

The content of the memory location whose address is contained in the H and L registers is exclusive-OR'd with the content of the accumulator. The result is placed in the accumulator. **The CY and AC flags are cleared.**

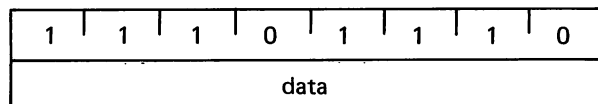


Cycles: 2
States: 7
Addressing: reg. indirect
Flags: Z,S,P,CY,AC

XRI data (Exclusive OR immediate)

$(A) \leftarrow (A) \vee (\text{byte 2})$

The content of the second byte of the instruction is exclusive-OR'd with the content of the accumulator. The result is placed in the accumulator. **The CY and AC flags are cleared.**

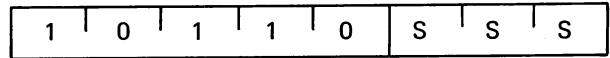


Cycles: 2
States: 7
Addressing: immediate
Flags: Z,S,P,CY,AC

ORA r (OR Register)

$(A) \leftarrow (A) \vee (r)$

The content of register r is inclusive-OR'd with the content of the accumulator. The result is placed in the accumulator. **The CY and AC flags are cleared.**

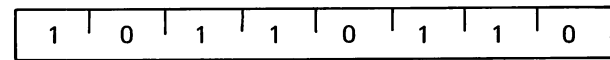


Cycles: 1
States: 4
Addressing: register
Flags: Z,S,P,CY,AC

ORA M (OR memory)

$(A) \leftarrow (A) \vee ((H) (L))$

The content of the memory location whose address is contained in the H and L registers is inclusive-OR'd with the content of the accumulator. The result is placed in the accumulator. **The CY and AC flags are cleared.**

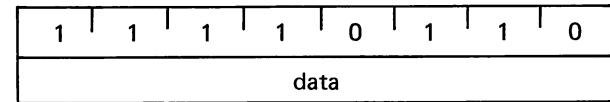


Cycles: 2
States: 7
Addressing: reg. indirect
Flags: Z,S,P,CY,AC

ORI data (OR Immediate)

$(A) \leftarrow (A) \vee (\text{byte 2})$

The content of the second byte of the instruction is inclusive-OR'd with the content of the accumulator. The result is placed in the accumulator. **The CY and AC flags are cleared.**

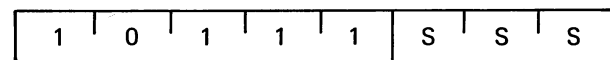


Cycles: 2
States: 7
Addressing: immediate
Flags: Z,S,P,CY,AC

CMP r (Compare Register)

$(A) - (r)$

The content of register r is subtracted from the accumulator. The accumulator remains unchanged. The condition flags are set as a result of the subtraction. **The Z flag is set to 1 if (A) = (r). The CY flag is set to 1 if (A) < (r).**

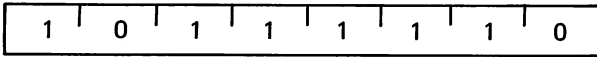


Cycles: 1
States: 4
Addressing: register
Flags: Z,S,P,CY,AC

CMP M (Compare memory)

$(A) - ((H) (L))$

The content of the memory location whose address is contained in the H and L registers is subtracted from the accumulator. The accumulator remains unchanged. The condition flags are set as a result of the subtraction. The Z flag is set to 1 if $(A) = ((H) (L))$. The CY flag is set to 1 if $(A) < ((H) (L))$.

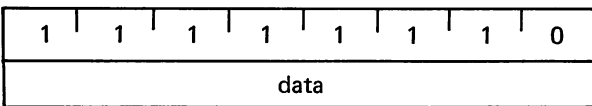


Cycles: 2
 States: 7
 Addressing: reg. indirect
 Flags: Z,S,P,CY,AC

CPI data (Compare immediate)

$(A) - (\text{byte } 2)$

The content of the second byte of the instruction is subtracted from the accumulator. The condition flags are set by the result of the subtraction. The Z flag is set to 1 if $(A) = (\text{byte } 2)$. The CY flag is set to 1 if $(A) < (\text{byte } 2)$.

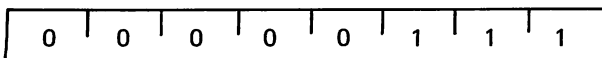


Cycles: 2
 States: 7
 Addressing: immediate
 Flags: Z,S,P,CY,AC

RLC (Rotate left)

$(A_{n+1}) \leftarrow (A_n) ; (A_0) \leftarrow (A_7)$
 $(CY) \leftarrow (A_7)$

The content of the accumulator is rotated left one position. The low order bit and the CY flag are both set to the value shifted out of the high order bit position. **Only the CY flag is affected.**

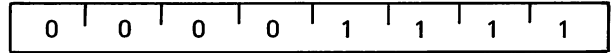


Cycles: 1
 States: 4
 Flags: CY

RRC (Rotate right)

$(A_n) \leftarrow (A_{n-1}) ; (A_7) \leftarrow (A_0)$
 $(CY) \leftarrow (A_0)$

The content of the accumulator is rotated right one position. The high order bit and the CY flag are both set to the value shifted out of the low order bit position. **Only the CY flag is affected.**

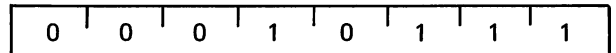


Cycles: 1
 States: 4
 Flags: CY

RAL (Rotate left through carry)

$(A_{n+1}) \leftarrow (A_n) ; (CY) \leftarrow (A_7)$
 $(A_0) \leftarrow (CY)$

The content of the accumulator is rotated left one position through the CY flag. The low order bit is set equal to the CY flag and the CY flag is set to the value shifted out of the high order bit. **Only the CY flag is affected.**

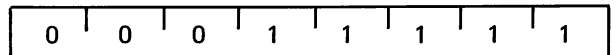


Cycles: 1
 States: 4
 Flags: CY

RAR (Rotate right through carry)

$(A_n) \leftarrow (A_{n+1}) ; (CY) \leftarrow (A_0)$
 $(A_7) \leftarrow (CY)$

The content of the accumulator is rotated right one position through the CY flag. The high order bit is set to the CY flag and the CY flag is set to the value shifted out of the low order bit. **Only the CY flag is affected.**

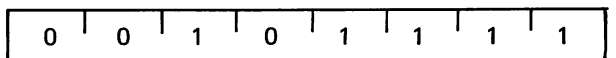


Cycles: 1
 States: 4
 Flags: CY

CMA (Complement accumulator)

$(A) \leftarrow \overline{(A)}$

The contents of the accumulator are complemented (zero bits become 1, one bits become 0). **No flags are affected.**

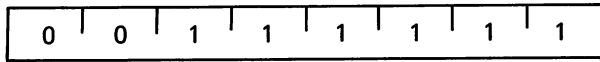


Cycles: 1
 States: 4
 Flags: none

CMC (Complement carry)

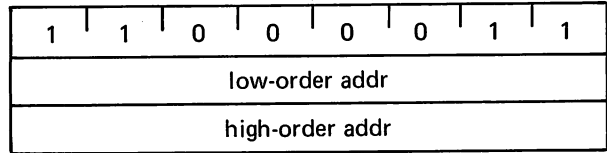
$(CY) \leftarrow \overline{(CY)}$

The CY flag is complemented. No other flags are affected.



Cycles: 1
States: 4
Flags: CY

Address is specified in byte 3 and byte 2 of the current instruction.

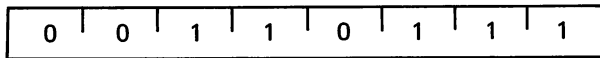


Cycles: 3
States: 10
Addressing: immediate
Flags: none

STC (Set carry)

$(CY) \leftarrow 1$

The CY flag is set to 1. No other flags are affected.



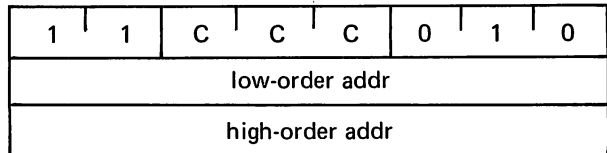
Cycles: 1
States: 4
Flags: CY

Jcondition addr (Conditional jump)

If (CCC),

$(PC) \leftarrow (\text{byte 3}) (\text{byte 2})$

If the specified condition is true, control is transferred to the instruction whose address is specified in byte 3 and byte 2 of the current instruction; otherwise, control continues sequentially.



Cycles: 3
States: 10
Addressing: immediate
Flags: none

Branch Group:

This group of instructions alter normal sequential program flow.

Condition flags are not affected by any instruction in this group.

The two types of branch instructions are unconditional and conditional. Unconditional transfers simply perform the specified operation on register PC (the program counter). Conditional transfers examine the status of one of the four processor flags to determine if the specified branch is to be executed. The conditions that may be specified are as follows:

CONDITION	CCC
NZ — not zero (Z = 0)	000
Z — zero (Z = 1)	001
NC — no carry (CY = 0)	010
C — carry (CY = 1)	011
PO — parity odd (P = 0)	100
PE — parity even (P = 1)	101
P — plus (S = 0)	110
M — minus (S = 1)	111

CALL addr (Call)

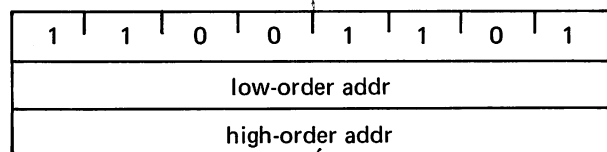
$((SP) - 1) \leftarrow (PCH)$

$((SP) - 2) \leftarrow (PCL)$

$(SP) \leftarrow (SP) - 2$

$(PC) \leftarrow (\text{byte 3}) (\text{byte 2})$

The high-order eight bits of the next instruction address are moved to the memory location whose address is one less than the content of register SP. The low-order eight bits of the next instruction address are moved to the memory location whose address is two less than the content of register SP. The content of register SP is decremented by 2. Control is transferred to the instruction whose address is specified in byte 3 and byte 2 of the current instruction.



Cycles: 5
States: 17
Addressing: immediate/reg. indirect
Flags: none

JMP addr (Jump)

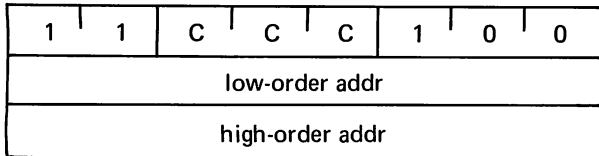
$(PC) \leftarrow (\text{byte 3}) (\text{byte 2})$

Control is transferred to the instruction whose ad-

Ccondition addr (Condition call)

If (CCC),
 $((SP) - 1) \leftarrow (PCH)$
 $((SP) - 2) \leftarrow (PCL)$
 $(SP) \leftarrow (SP) - 2$
 $(PC) \leftarrow (\text{byte 3}) (\text{byte 2})$

If the specified condition is true, the actions specified in the CALL instruction (see above) are performed; otherwise, control continues sequentially.

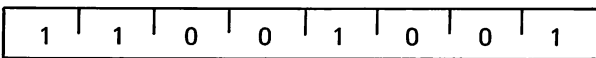


Cycles: 3/5
 States: 11/17
 Addressing: immediate/reg. indirect
 Flags: none

RET (Return)

$(PCL) \leftarrow ((SP));$
 $(PCH) \leftarrow ((SP) + 1);$
 $(SP) \leftarrow (SP) + 2;$

The content of the memory location whose address is specified in register SP is moved to the low-order eight bits of register PC. The content of the memory location whose address is one more than the content of register SP is moved to the high-order eight bits of register PC. The content of register SP is incremented by 2.

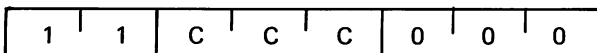


Cycles: 3
 States: 10
 Addressing: reg. indirect
 Flags: none

Rcondition (Conditional return)

If (CCC),
 $(PCL) \leftarrow ((SP))$
 $(PCH) \leftarrow ((SP) + 1)$
 $(SP) \leftarrow (SP) + 2$

If the specified condition is true, the actions specified in the RET instruction (see above) are performed; otherwise, control continues sequentially.

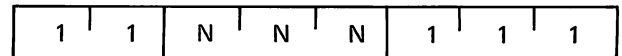


Cycles: 1/3
 States: 5/11
 Addressing: reg. indirect
 Flags: none

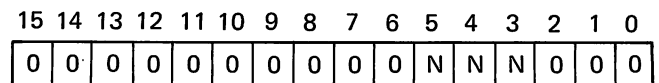
RST n (Restart)

$((SP) - 1) \leftarrow (PCH)$
 $((SP) - 2) \leftarrow (PCL)$
 $(SP) \leftarrow (SP) - 2$
 $(PC) \leftarrow 8 * (NNN)$

The high-order eight bits of the next instruction address are moved to the memory location whose address is one less than the content of register SP. The low-order eight bits of the next instruction address are moved to the memory location whose address is two less than the content of register SP. The content of register SP is decremented by two. Control is transferred to the instruction whose address is eight times the content of NNN.



Cycles: 3
 States: 11
 Addressing: reg. indirect
 Flags: none

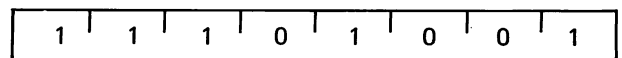


Program Counter After Restart

PCHL (Jump H and L indirect – move H and L to PC)

$(PCH) \leftarrow (H)$
 $(PCL) \leftarrow (L)$

The content of register H is moved to the high-order eight bits of register PC. The content of register L is moved to the low-order eight bits of register PC.



Cycles: 1
 States: 5
 Addressing: register
 Flags: none

Stack, I/O, and Machine Control Group:

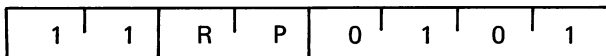
This group of instructions performs I/O, manipulates the Stack, and alters internal control flags.

Unless otherwise specified, **condition flags are not affected by any instructions in this group.**

PUSH rp (Push)

$((SP) - 1) \leftarrow (rh)$
 $((SP) - 2) \leftarrow (rl)$
 $(SP) \leftarrow (SP) - 2$

The content of the high-order register of register pair rp is moved to the memory location whose address is one less than the content of register SP. The content of the low-order register of register pair rp is moved to the memory location whose address is two less than the content of register SP. The content of register SP is decremented by 2. **Note: Register pair rp = SP may not be specified.**

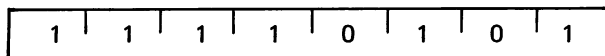


Cycles: 3
 States: 11
 Addressing: reg. indirect
 Flags: none

PUSH PSW (Push processor status word)

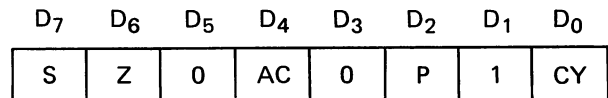
$((SP) - 1) \leftarrow (A)$
 $((SP) - 2)_0 \leftarrow (CY), ((SP) - 2)_1 \leftarrow 1$
 $((SP) - 2)_2 \leftarrow (P), ((SP) - 2)_3 \leftarrow 0$
 $((SP) - 2)_4 \leftarrow (AC), ((SP) - 2)_5 \leftarrow 0$
 $((SP) - 2)_6 \leftarrow (Z), ((SP) - 2)_7 \leftarrow (S)$
 $(SP) \leftarrow (SP) - 2$

The content of register A is moved to the memory location whose address is one less than register SP. The contents of the condition flags are assembled into a processor status word and the word is moved to the memory location whose address is two less than the content of register SP. The content of register SP is decremented by two.



Cycles: 3
 States: 11
 Addressing: reg. indirect
 Flags: none

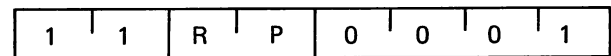
FLAG WORD



POP rp (Pop)

$(rl) \leftarrow ((SP))$
 $(rh) \leftarrow ((SP) + 1)$
 $(SP) \leftarrow (SP) + 2$

The content of the memory location, whose address is specified by the content of register SP, is moved to the low-order register of register pair rp. The content of the memory location, whose address is one more than the content of register SP, is moved to the high-order register of register pair rp. The content of register SP is incremented by 2. **Note: Register pair rp = SP may not be specified.**

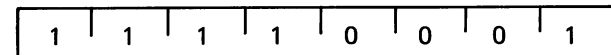


Cycles: 3
 States: 10
 Addressing: reg. indirect
 Flags: none

POP PSW (Pop processor status word)

$(CY) \leftarrow ((SP))_0$
 $(P) \leftarrow ((SP))_2$
 $(AC) \leftarrow ((SP))_4$
 $(Z) \leftarrow ((SP))_6$
 $(S) \leftarrow ((SP))_7$
 $(A) \leftarrow ((SP) + 1)$
 $(SP) \leftarrow (SP) + 2$

The content of the memory location whose address is specified by the content of register SP is used to restore the condition flags. The content of the memory location whose address is one more than the content of register SP is moved to register A. The content of register SP is incremented by 2.

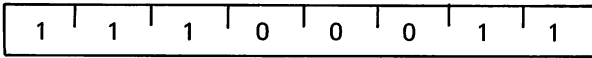


Cycles: 3
 States: 10
 Addressing: reg. indirect
 Flags: Z,S,P,CY,AC

XTHL (Exchange stack top with H and L)

(L) ↔ ((SP))
(H) ↔ ((SP) + 1)

The content of the L register is exchanged with the content of the memory location whose address is specified by the content of register SP. The content of the H register is exchanged with the content of the memory location whose address is one more than the content of register SP.

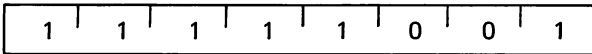


Cycles: 5
States: 18
Addressing: reg. indirect
Flags: none

SPHL (Move HL to SP)

(SP) ← (H) (L)

The contents of registers H and L (16 bits) are moved to register SP.

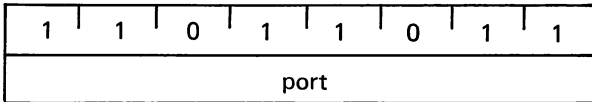


Cycles: 1
States: 5
Addressing: register
Flags: none

IN port (Input)

(A) ← (data)

The data placed on the eight bit bi-directional data bus by the specified port is moved to register A.

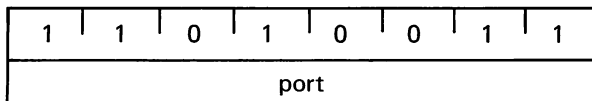


Cycles: 3
States: 10
Addressing: direct
Flags: none

OUT port (Output)

(data) ← (A)

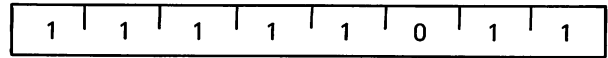
The content of register A is placed on the eight bit bi-directional data bus for transmission to the specified port.



Cycles: 3
States: 10
Addressing: direct
Flags: none

EI (Enable interrupts)

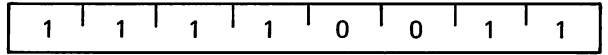
The interrupt system is enabled following the execution of the next instruction.



Cycles: 1
States: 4
Flags: none

DI (Disable interrupts)

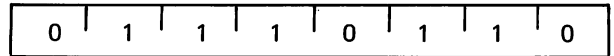
The interrupt system is disabled immediately following the execution of the DI instruction.



Cycles: 1
States: 4
Flags: none

HLT (Halt)

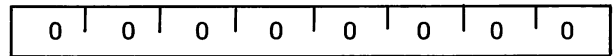
The processor is stopped. The registers and flags are unaffected.



Cycles: 1
States: 7
Flags: none

NOP (No op)

No operation is performed. The registers and flags are unaffected.



Cycles: 1
States: 4
Flags: none

INSTRUCTION SET

Summary of Processor Instructions

Mnemonic	Description	Instruction Code ^[1]								Clock ^[2] Cycles	Mnemonic	Description	Instruction Code ^[1]								Clock ^[2] Cycles
		D ₇	D ₆	D ₅	D ₄	D ₃	D ₂	D ₁	D ₀				D ₇	D ₆	D ₅	D ₄	D ₃	D ₂	D ₁	D ₀	
MOV _{r1,r2}	Move register to register	0	1	D	D	D	S	S	S	5	RZ	Return on zero	1	1	0	0	1	0	0	0	5/11
MOV _{M,r}	Move register to memory	0	1	1	1	0	S	S	S	7	RNZ	Return on no zero	1	1	0	0	0	0	C	0	5/11
MOV _{r,M}	Move memory to register	0	1	D	D	D	1	1	0	7	RP	Return on positive	1	1	1	1	0	0	0	0	5/11
HLT	Halt	0	1	1	1	0	1	1	0	7	RM	Return on minus	1	1	1	1	1	0	0	0	5/11
MVI _r	Move immediate register	0	0	D	D	D	1	1	0	7	RPE	Return on parity even	1	1	1	0	1	0	0	0	5/11
MVI _M	Move immediate memory	0	0	1	1	0	1	1	0	10	RPO	Return on parity odd	1	1	1	0	0	0	0	0	5/11
INR _r	Increment register	0	0	D	D	D	1	0	0	5	RST	Restart	1	1	A	A	A	1	1	1	11
DCR _r	Decrement register	0	0	D	D	D	1	0	1	5	IN	Input	1	1	0	1	1	0	1	1	10
INR _M	Increment memory	0	0	1	1	0	1	0	0	10	OUT	Output	1	1	0	1	0	0	1	1	10
DCR _M	Decrement memory	0	0	1	1	0	1	0	1	10	LXI _B	Load immediate register Pair B & C	0	0	0	0	0	0	0	1	10
ADD _r	Add register to A	1	0	0	0	S	S	S	S	4	LXI _D	Load immediate register Pair D & E	0	0	0	1	0	0	0	1	10
ADC _r	Add register to A with carry	1	0	0	0	1	S	S	S	4	LXI _H	Load immediate register Pair H & L	0	0	1	0	0	0	0	1	10
SUB _r	Subtract register from A	1	0	0	1	0	S	S	S	4	LXI _{SP}	Load immediate stack pointer	0	0	1	1	0	0	0	1	10
SBB _r	Subtract register from A with borrow	1	0	0	1	1	S	S	S	4	PUSH _B	Push register Pair B & C on stack	1	1	0	0	0	1	0	1	11
ANA _r	And register with A	1	0	1	0	0	S	S	S	4	PUSH _D	Push register Pair D & E on stack	1	1	0	1	0	1	0	1	11
XRA _r	Exclusive Or register with A	1	0	1	0	1	S	S	S	4	PUSH _H	Push register Pair H & L on stack	1	1	1	0	0	1	0	1	11
ORA _r	Or register with A	1	0	1	1	0	S	S	S	4	PUSH _{PSW}	Push A and Flags on stack	1	1	1	1	0	1	0	1	11
CMP _r	Compare register with A	1	0	1	1	1	S	S	S	4	POP _B	Pop register pair B & C off stack	1	1	0	0	0	0	0	1	10
ADD _M	Add memory to A	1	0	0	0	1	1	0	0	7	POP _D	Pop register pair D & E off stack	1	1	0	1	0	0	0	1	10
ADC _M	Add memory to A with carry	1	0	0	0	1	1	1	0	7	POP _H	Pop register pair H & L off stack	1	1	1	0	0	0	0	1	10
SUB _M	Subtract memory from A	1	0	0	1	0	1	1	0	7	POP _{PSW}	Pop A and Flags off stack	1	1	1	1	0	0	0	1	10
SBB _M	Subtract memory from A with borrow	1	0	0	1	1	1	1	0	7	STA	Store A direct	0	0	1	1	0	0	1	0	13
ANA _M	And memory with A	1	0	1	0	0	1	1	0	7	LDA	Load A direct	0	0	1	1	1	0	1	0	13
XRA _M	Exclusive Or memory with A	1	0	1	0	1	1	1	0	7	XCHG	Exchange D & E, H & L Registers	1	1	1	0	1	0	1	1	4
ORA _M	Or memory with A	1	0	1	1	0	1	1	0	7	XTHL	Exchange top of stack, H & L	1	1	1	0	0	0	1	1	18
CMP _M	Compare memory with A	1	0	1	1	1	1	1	0	7	SPHL	H & L to stack pointer	1	1	1	1	1	0	0	1	5
ADI	Add immediate to A	1	1	0	0	0	1	1	0	7	PCHL	H & L to program counter	1	1	1	0	1	0	0	1	5
ACI	Add immediate to A with carry	1	1	0	0	1	1	1	0	7	DAD _B	Add B & C to H & L	0	0	0	0	1	0	0	1	10
SUI	Subtract immediate from A	1	1	0	1	0	1	1	0	7	DAD _D	Add D & E to H & L	0	0	0	1	1	0	0	1	10
SBI	Subtract immediate from A with borrow	1	1	0	1	1	1	1	0	7	DAD _H	Add H & L to H & L	0	0	1	0	1	0	0	1	10
ANI	And immediate with A	1	1	1	0	0	1	1	0	7	DAD _{SP}	Add stack pointer to H & L	0	0	1	1	1	0	0	1	10
XRI	Exclusive Or immediate with A	1	1	1	0	1	1	1	0	7	STAX _B	Store A indirect	0	0	0	0	0	0	1	0	7
ORI	Or immediate with A	1	1	1	1	0	1	1	0	7	STAX _D	Store A indirect	0	0	0	1	0	0	1	0	7
CPI	Compare immediate with A	1	1	1	1	1	1	1	0	7	LDAX _B	Load A indirect	0	0	0	0	1	0	1	0	7
RLC	Rotate A left	0	0	0	0	0	1	1	1	4	LDAX _D	Load A indirect	0	0	0	1	1	0	1	0	7
RRC	Rotate A right	0	0	0	0	1	1	1	1	4	INX _B	Increment B & C registers	0	0	0	0	0	0	1	1	5
RAL	Rotate A left through carry	0	0	0	1	0	1	1	1	4	INX _D	Increment D & E registers	0	0	0	1	0	0	1	1	5
RAR	Rotate A right through carry	0	0	0	1	1	1	1	1	4	INX _H	Increment H & L registers	0	0	1	0	0	0	1	1	5
JMP	Jump unconditional	1	1	0	0	0	0	1	1	10	INX _{SP}	Increment stack pointer	0	0	1	1	0	0	1	1	5
JC	Jump on carry	1	1	0	1	1	0	1	0	10	DCX _B	Decrement B & C	0	0	0	0	1	0	1	1	5
JNC	Jump on no carry	1	1	0	1	0	0	1	0	10	DCX _D	Decrement D & E	0	0	0	1	1	0	1	1	5
JZ	Jump on zero	1	1	0	0	1	0	1	0	10	DCX _H	Decrement H & L	0	0	1	0	1	0	1	1	5
JNZ	Jump on no zero	1	1	0	0	0	0	1	0	10	DCX _{SP}	Decrement stack pointer	0	0	1	1	1	0	1	1	5
JP	Jump on positive	1	1	1	1	0	0	1	0	10	CMA	Complement A	0	0	1	0	1	1	1	1	4
JM	Jump on minus	1	1	1	1	1	0	1	0	10	STC	Set carry	0	0	1	1	0	1	1	1	4
JPE	Jump on parity even	1	1	1	0	1	0	1	0	10	CMC	Complement carry	0	0	1	1	1	1	1	1	4
JPO	Jump on parity odd	1	1	1	0	0	0	1	0	10	DAA	Decimal adjust A	0	0	1	0	0	1	1	1	4
CALL	Call unconditional	1	1	0	0	1	1	0	1	17	SHLD	Store H & L direct	0	0	1	0	0	0	1	0	16
CC	Call on carry	1	1	0	1	1	1	0	0	11/17	LHLD	Load H & L direct	0	0	1	0	1	0	1	0	16
CNC	Call on no carry	1	1	0	1	0	1	0	0	11/17	EI	Enable interrupts	1	1	1	1	1	0	1	1	4
CZ	Call on zero	1	1	0	0	1	1	0	0	11/17	DI	Disable interrupt	1	1	1	1	0	0	1	1	4
CNZ	Call on no zero	1	1	0	0	0	1	0	0	11/17	NOP	No-operation	0	0	0	0	0	0	0	0	4
CP	Call on positive	1	1	1	1	0	1	0	0	11/17											
CM	Call on minus	1	1	1	1	1	0	0	0	11/17											
CPE	Call on parity even	1	1	1	0	1	1	0	0	11/17											
CPO	Call on parity odd	1	1	1	0	0	1	0	0	11/17											
RET	Return	1	1	0	0	1	0	0	1	10											
RC	Return on carry	1	1	0	1	1	0	0	0	5/11											
RNC	Return on no carry	1	1	0	1	0	0	0	0	5/11											

NOTES: 1. DDD or SSS – 000 B – 001 C – 010 D – 011 E – 100 H – 101 L – 110 Memory – 111 A.
 2. Two possible cycle times, (5/11) indicate instruction cycles dependent on condition flags.

CHAPTER 5
MCS-80™
COMPONENT FAMILY

CPU Group	
8224 Clock Generator	5-1
8228 System Controller	5-7
8080A Central Processor	5-13
8080A-1 Central Processor (1.3 μ s)	5-20
8080A-2 Central Processor (1.5 μ s)	5-24
M8080A Central Processor (-55° to +125°C)	5-29
ROMs	
8702A Erasable PROM (256 x 8)	5-37
8708/8704 Erasable PROM (1K x 8)	5-45
8302 Mask ROM (256 x 8)	5-51
8308 Mask ROM (1K x 8)	5-59
8316A Mask ROM (2K x 8)	5-61
RAMs	
8101-2 Static RAM (256 x 4)	5-67
8111-2 Static RAM (256 x 4)	5-71
8102-2 Static RAM (1K x 1)	5-75
8102A-4 Static RAM (1K x 1)	5-79
8107B-4 Dynamic RAM (4K x 1)	5-83
5101 Static CMOS RAM (256 x 4)	5-91
8210 Dynamic RAM Driver	5-95
8222 Dynamic RAM Refresh Controller	5-99
I/O	
8212 8-Bit I/O Port	5-101
8255 Programmable Peripheral Interface	5-113
8251 Programmable Communication Interface	5-135
Peripherals	
8205 One of Eight Decoder	5-147
8214 Priority Interrupt Control Unit	5-153
8216/8226 4-Bit Bi-Directional Bus Driver	5-163
Coming Soon	
8253 Programmable Interval Timer	5-169
8257 Programmable DMA Controller	5-171
8259 Programmable Interrupt Controller	5-173



Schottky Bipolar 8224

CLOCK GENERATOR AND DRIVER FOR 8080A CPU

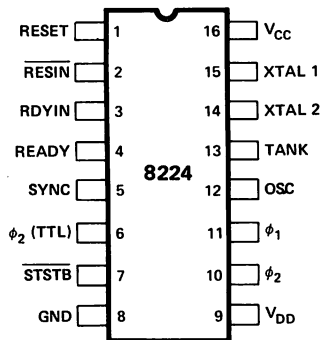
- Single Chip Clock Generator/Driver for 8080A CPU
- Power-Up Reset for CPU
- Ready Synchronizing Flip-Flop
- Advanced Status Strobe
- Oscillator Output for External System Timing
- Crystal Controlled for Stable System Operation
- Reduces System Package Count

The 8224 is a single chip clock generator/driver for the 8080A CPU. It is controlled by a crystal, selected by the designer, to meet a variety of system speed requirements.

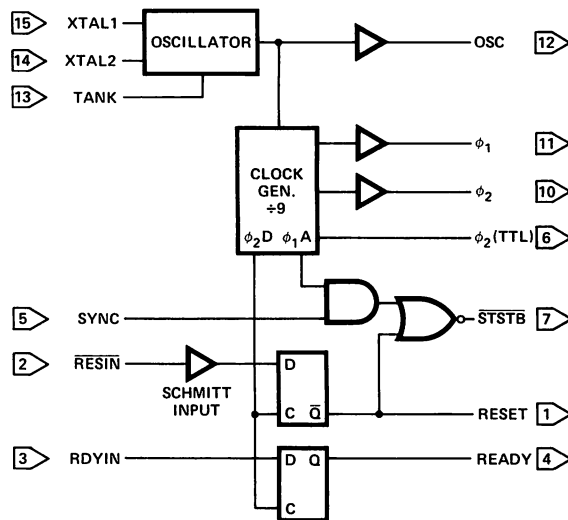
Also included are circuits to provide power-up reset, advance status strobe and synchronization of ready.

The 8224 provides the designer with a significant reduction of packages used to generate clocks and timing for 8080A.

PIN CONFIGURATION



BLOCK DIAGRAM



PIN NAMES

RESIN	RESET INPUT
RESET	RESET OUTPUT
RDYIN	READY INPUT
READY	READY OUTPUT
SYNC	SYNC INPUT
STSTB	STATUS STB (ACTIVE LOW)
phi_1	8080 CLOCKS
phi_2	

XTAL 1	CONNECTIONS FOR CRYSTAL
XTAL 2	
TANK	USED WITH OVERTONE XTAL
OSC	OSCILLATOR OUTPUT
phi_2 (TTL)	phi_2 CLK (TTL LEVEL)
VCC	+5V
VDD	+12V
GND	0V

FUNCTIONAL DESCRIPTION

General

The 8224 is a single chip Clock Generator/Driver for the 8080A CPU. It contains a crystal-controlled oscillator, a "divide by nine" counter, two high-level drivers and several auxiliary logic functions.

Oscillator

The oscillator circuit derives its basic operating frequency from an external, series resonant, fundamental mode crystal. Two inputs are provided for the crystal connections (XTAL1, XTAL2).

The selection of the external crystal frequency depends mainly on the speed at which the 8080A is to be run at. Basically, the oscillator operates at 9 times the desired processor speed.

A simple formula to guide the crystal selection is:

$$\text{Crystal Frequency} = \frac{1}{t_{CY}} \text{ times } 9$$

Example 1: (500ns t_{CY})
2mHz times 9 = 18mHz*

Example 2: (800ns t_{CY})
1.25mHz times 9 = 11.25mHz

Another input to the oscillator is TANK. This input allows the use of overtone mode crystals. This type of crystal generally has much lower "gain" than the fundamental type so an external LC network is necessary to provide the additional "gain" for proper oscillator operation. The external LC network is connected to the TANK input and is AC coupled to ground. See Figure 4.

The formula for the LC network is:

$$F = \frac{1}{2\pi \sqrt{LC}}$$

The output of the oscillator is buffered and brought out on OSC (pin 12) so that other system timing signals can be derived from this stable, crystal-controlled source.

*When using crystals above 10mHz a small amount of frequency "trimming" may be necessary to produce the exact desired frequency. The addition of a small selected capacitance (3pF - 10pF) in series with the crystal will accomplish this function.

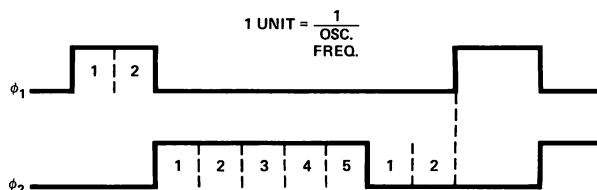
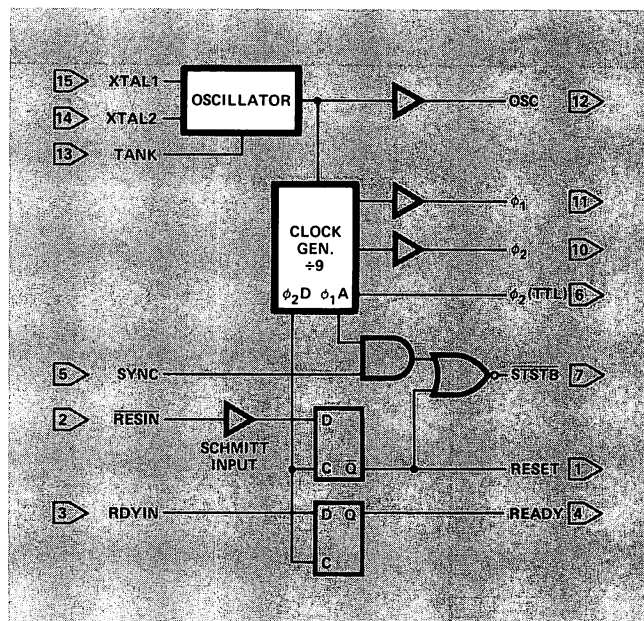
Clock Generator

The Clock Generator consists of a synchronous "divide by nine" counter and the associated decode gating to create the waveforms of the two 8080A clocks and auxiliary timing signals.

The waveforms generated by the decode gating follow a simple 2-5-2 digital pattern. See Figure 2. The clocks generated; phase 1 and phase 2, can best be thought of as consisting of "units" based on the oscillator frequency. Assume that one "unit" equals the period of the oscillator frequency. By multiplying the number of "units" that are contained in a pulse width or delay, times the period of the oscillator frequency, the approximate time in nanoseconds can be derived.

The outputs of the clock generator are connected to two high level drivers for direct interface to the 8080A CPU. A TTL level phase 2 is also brought out ϕ_2 (TTL) for external timing purposes. It is especially useful in DMA dependant activities. This signal is used to gate the requesting device onto the bus once the 8080A CPU issues the Hold Acknowledgement (HLDA).

Several other signals are also generated internally so that optimum timing of the auxiliary flip-flops and status strobe (STSTB) is achieved.



EXAMPLE: (8080 $t_{CY} = 500\text{ns}$)
OSC = 18mHz/55ns
 $\phi_1 = 110\text{ns}$ (2 x 55ns)
 $\phi_2 = 275\text{ns}$ (5 x 55ns)
 $\phi_2 - \phi_1 = 110\text{ns}$ (2 x 55ns)

SCHOTTKY BIPOLAR 8224

STSTB (Status Strobe)

At the beginning of each machine cycle the 8080A CPU issues status information on its data bus. This information tells what type of action will take place during that machine cycle. By bringing in the SYNC signal from the CPU, and gating it with an internal timing signal (ϕ_1A), an active low strobe can be derived that occurs at the start of each machine cycle at the earliest possible moment that status data is stable on the bus. The \overline{STSTB} signal connects directly to the 8228 System Controller.

The power-on Reset also generates \overline{STSTB} , but of course, for a longer period of time. This feature allows the 8228 to be automatically reset without additional pins devoted for this function.

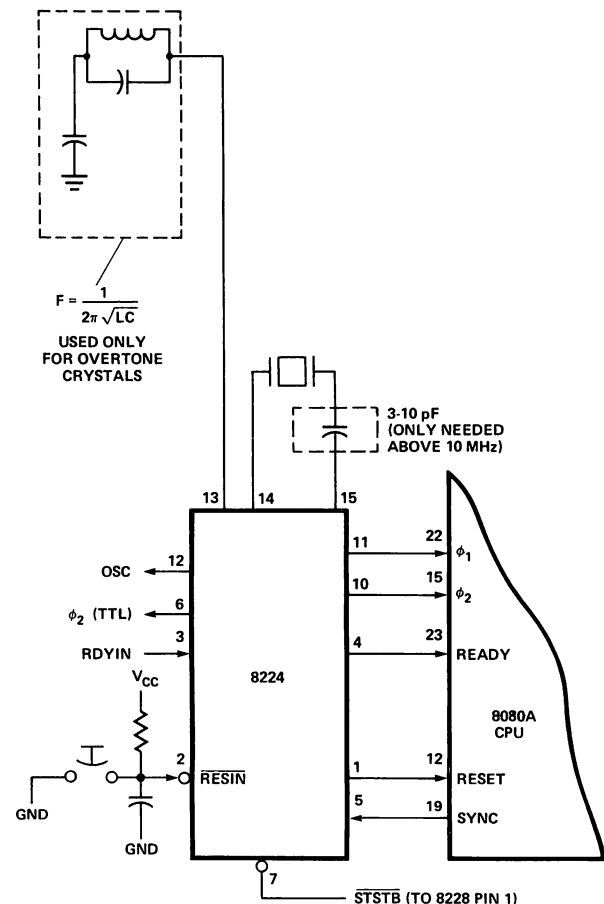
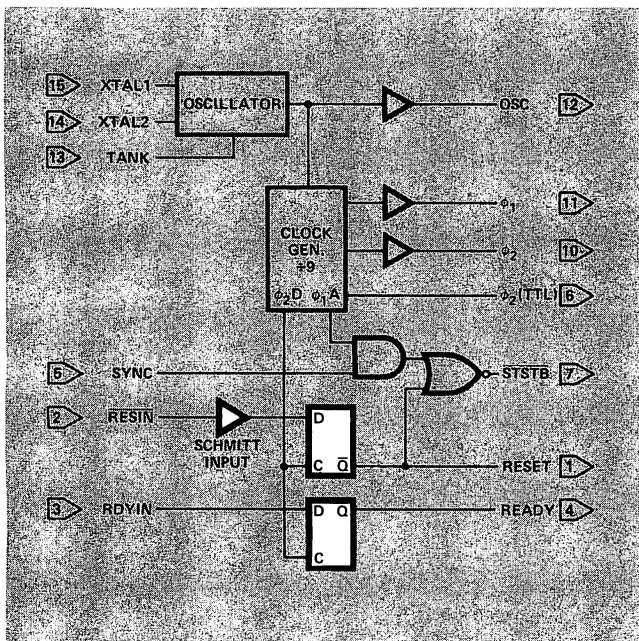
Power-On Reset and Ready Flip-Flops

A common function in 8080A Microcomputer systems is the generation of an automatic system reset and start-up upon initial power-on. The 8224 has a built in feature to accomplish this feature.

An external RC network is connected to the \overline{RESIN} input. The slow transition of the power supply rise is sensed by an internal Schmitt Trigger. This circuit converts the slow transition into a clean, fast edge when its input level reaches a predetermined value. The output of the Schmitt Trigger is connected to a "D" type flip-flop that is clocked with ϕ_2D (an internal timing signal). The flip-flop is synchronously reset and an active high level that complies with the 8080A input spec is generated. For manual switch type system Reset circuits, an active low switch closing can be connected to the \overline{RESIN} input in addition to the power-on RC network.

The READY input to the 8080A CPU has certain timing specifications such as "set-up and hold" thus, an external synchronizing flip-flop is required. The 8224 has this feature built-in. The RDYIN input presents the asynchronous "wait request" to the "D" type flip-flop. By clocking the flip-flop with ϕ_2D , a synchronized READY signal at the correct input level, can be connected directly to the 8080A.

The reason for requiring an external flip-flop to synchronize the "wait request" rather than internally in the 8080 CPU is that due to the relatively long delays of MOS logic such an implementation would "rob" the designer of about 200ns during the time his logic is determining if a "wait" is necessary. An external bipolar circuit built into the clock generator eliminates most of this delay and has no effect on component count.



SCHOTTKY BIPOLAR 8224

D.C. Characteristics

$T_A = 0^\circ\text{C}$ to 70°C ; $V_{CC} = +5.0\text{V} \pm 5\%$; $V_{DD} = +12\text{V} \pm 5\%$.

Symbol	Parameter	Limits			Units	Test Conditions
		Min.	Typ.	Max.		
I_F	Input Current Loading			-.25	mA	$V_F = .45\text{V}$
I_R	Input Leakage Current			10	μA	$V_R = 5.25\text{V}$
V_C	Input Forward Clamp Voltage			1.0	V	$I_C = -5\text{mA}$
V_{IL}	Input "Low" Voltage			.8	V	$V_{CC} = 5.0\text{V}$
V_{IH}	Input "High" Voltage	2.6 2.0			V	Reset Input All Other Inputs
$V_{IH}-V_{IL}$	REDIN Input Hysteresis	.25			mV	$V_{CC} = 5.0\text{V}$
V_{OL}	Output "Low" Voltage			.45 .45	V V	(ϕ_1, ϕ_2) , Ready, Reset, $\overline{\text{STSTB}}$ $I_{OL} = 2.5\text{mA}$ All Other Outputs $I_{OL} = 15\text{mA}$
V_{OH}	Output "High" Voltage ϕ_1, ϕ_2 READY, RESET All Other Outputs	9.4 3.6 2.4			V V V	$I_{OH} = -100\mu\text{A}$ $I_{OH} = -100\mu\text{A}$ $I_{OH} = -1\text{mA}$
$I_{SC}^{[1]}$	Output Short Circuit Current (All Low Voltage Outputs Only)	-10		-60	mA	$V_O = 0\text{V}$ $V_{CC} = 5.0\text{V}$
I_{CC}	Power Supply Current			115	mA	
I_{DD}	Power Supply Current			12	mA	

Note: 1. Caution, ϕ_1 and ϕ_2 output drivers do not have short circuit protection

CRYSTAL REQUIREMENTS

Tolerance: .005% at 0°C - 70°C

Resonance: Series (Fundamental)*

Load Capacitance: 20-35pF

Equivalent Resistance: 75-20 ohms

Power Dissipation (Min): 4mW

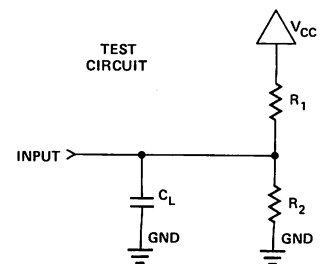
*With tank circuit use 3rd overtone mode.

SCHOTTKY BIPOLAR 8224

A.C. Characteristics

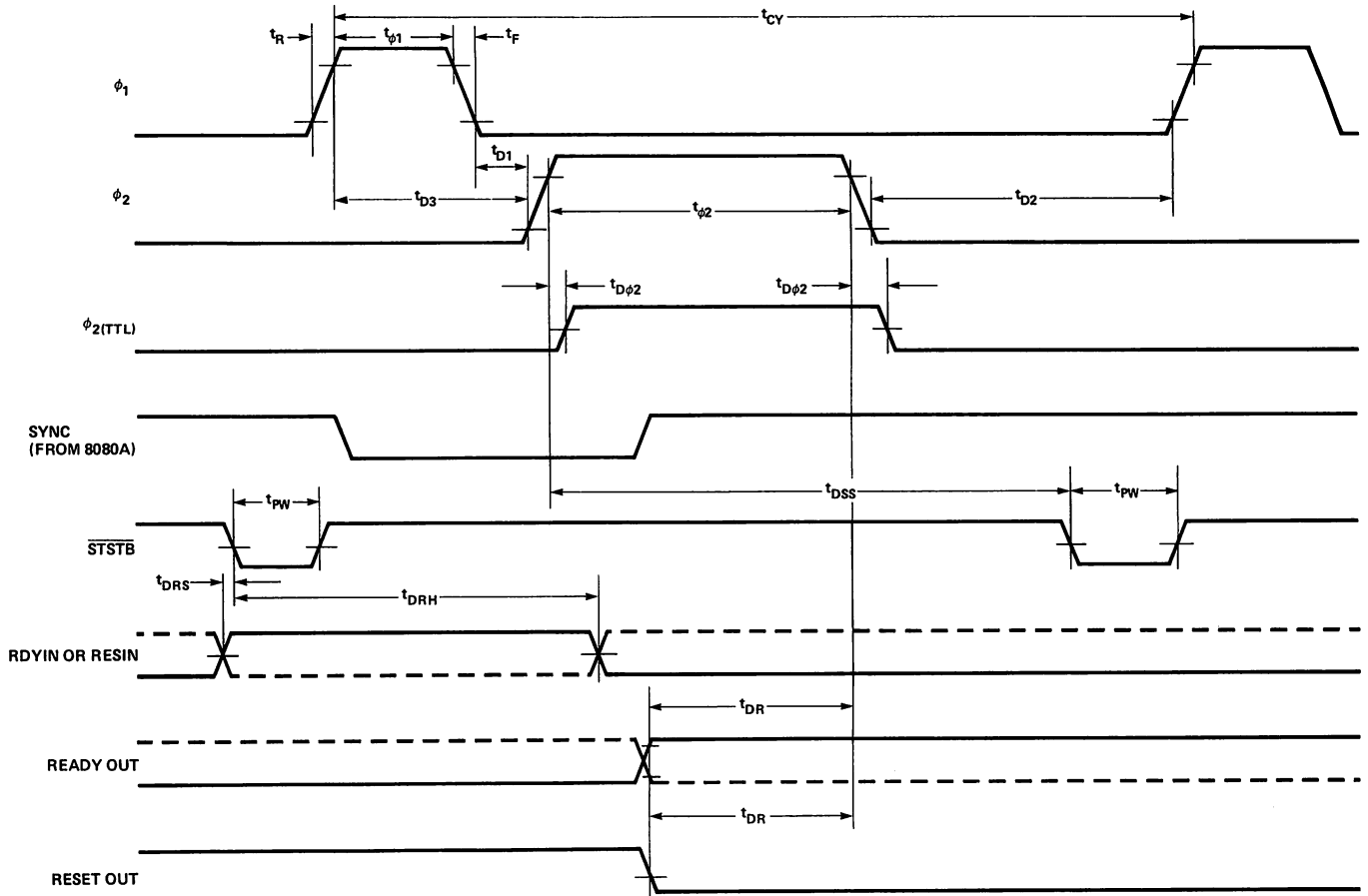
$V_{CC} = +5.0V \pm 5\%$; $V_{DD} = +12.0V \pm 5\%$; $T_A = 0^\circ C$ to $70^\circ C$

Symbol	Parameter	Limits			Units	Test Conditions
		Min.	Typ.	Max.		
$t_{\phi 1}$	ϕ_1 Pulse Width	$\frac{2t_{cy}}{9} - 20ns$			ns	$C_L = 20pF$ to $50pF$
$t_{\phi 2}$	ϕ_2 Pulse Width	$\frac{5t_{cy}}{9} - 35ns$				
t_{D1}	ϕ_1 to ϕ_2 Delay	0				
t_{D2}	ϕ_2 to ϕ_1 Delay	$\frac{2t_{cy}}{9} - 14ns$				
t_{D3}	ϕ_1 to ϕ_2 Delay	$\frac{2t_{cy}}{9}$		$\frac{2t_{cy}}{9} + 20ns$		
t_R	ϕ_1 and ϕ_2 Rise Time			20		
t_F	ϕ_1 and ϕ_2 Fall Time			20		
$t_{D\phi 2}$	ϕ_2 to ϕ_2 (TTL) Delay	-5		+15	ns	ϕ_2 TTL, $C_L=30$ $R_1=300\Omega$ $R_2=600\Omega$
t_{DSS}	ϕ_2 to \overline{STSTB} Delay	$\frac{6t_{cy}}{9} - 30ns$		$\frac{6t_{cy}}{9}$		\overline{STSTB} , $C_L=15pF$ $R_1 = 2K$ $R_2 = 4K$
t_{PW}	\overline{STSTB} Pulse Width	$\frac{t_{cy}}{9} - 15ns$				
t_{DRS}	RDYIN Setup Time to Status Strobe	$50ns - \frac{4t_{cy}}{9}$				
t_{DRH}	RDYIN Hold Time After \overline{STSTB}	$\frac{4t_{cy}}{9}$				
t_{DR}	RDYIN or RESIN to ϕ_2 Delay	$\frac{4t_{cy}}{9} - 25ns$				Ready & Reset $C_L=10pF$ $R_1=2K$ $R_2=4K$
t_{CLK}	CLK Period		$\frac{t_{cy}}{9}$			
f_{max}	Maximum Oscillating Frequency	27			MHz	
C_{in}	Input Capacitance			8	pF	$V_{CC}=+5.0V$ $V_{DD}=+12V$ $V_{BIAS}=2.5V$ $f=1MHz$



SCHOTTKY BIPOLAR 8224

WAVEFORMS



VOLTAGE MEASUREMENT POINTS: ϕ_1, ϕ_2 Logic "0" = 1.0V, Logic "1" = 8.0V. All other signals measured at 1.5V.

EXAMPLE:

A.C. Characteristics (For $t_{CY} = 488.28$ ns)

$T_A = 0^\circ\text{C}$ to 70°C ; $V_{DD} = +5\text{V} \pm 5\%$; $V_{DD} = +12\text{V} \pm 5\%$.

Symbol	Parameter	Limits			Units	Test Conditions
		Min.	Typ.	Max.		
$t_{\phi 1}$	ϕ_1 Pulse Width	89			ns	$t_{CY} = 488.28$ ns ϕ_1 & ϕ_2 Loaded to $C_L = 20$ to 50 pF
$t_{\phi 2}$	ϕ_2 Pulse Width	236			ns	
t_{D1}	Delay ϕ_1 to ϕ_2	0			ns	
t_{D2}	Delay ϕ_2 to ϕ_1	95			ns	
t_{D3}	Delay ϕ_1 to ϕ_2 Leading Edges	109		129	ns	
t_r	Output Rise Time			20	ns	
t_f	Output Fall Time			20	ns	
t_{DSS}	ϕ_2 to $\overline{\text{STSTB}}$ Delay	296		326	ns	Ready & Reset Loaded to $2\text{mA}/10\text{pF}$ All measurements referenced to 1.5V unless specified otherwise.
$t_{D\phi 2}$	ϕ_2 to ϕ_2 (TTL) Delay	-5		+15	ns	
t_{PW}	Status Strobe Pulse Width	40			ns	
t_{DRS}	RDYIN Setup Time to $\overline{\text{STSTB}}$	-167			ns	
t_{DRH}	RDYIN Hold Time after $\overline{\text{STSTB}}$	217			ns	
t_{DR}	READY or RESET to ϕ_2 Delay	192			ns	
f_{MAX}	Oscillator Frequency			18.432	MHz	



Schottky Bipolar 8228

SYSTEM CONTROLLER AND BUS DRIVER FOR 8080A CPU

- Single Chip System Control for MCS[™]-80 Systems
- Built-in Bi-Directional Bus Driver for Data Bus Isolation
- Allows the use of Multiple Byte Instructions (e.g. CALL) for Interrupt Acknowledge
- User Selected Single Level Interrupt Vector (RST 7)
- 28 Pin Dual In-Line Package
- Reduces System Package Count

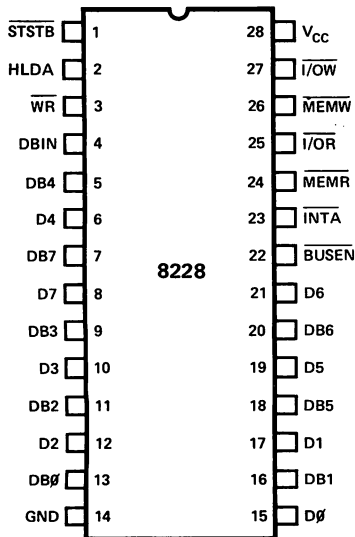
The 8228 is a single chip system controller and bus driver for MCS-80. It generates all signals required to directly interface MCS-80 family RAM, ROM, and I/O components.

A bi-directional bus driver is included to provide high system TTL fan-out. It also provides isolation of the 8080 data bus from memory and I/O. This allows for the optimization of control signals, enabling the systems designer to use slower memory and I/O. The isolation of the bus driver also provides for enhanced system noise immunity.

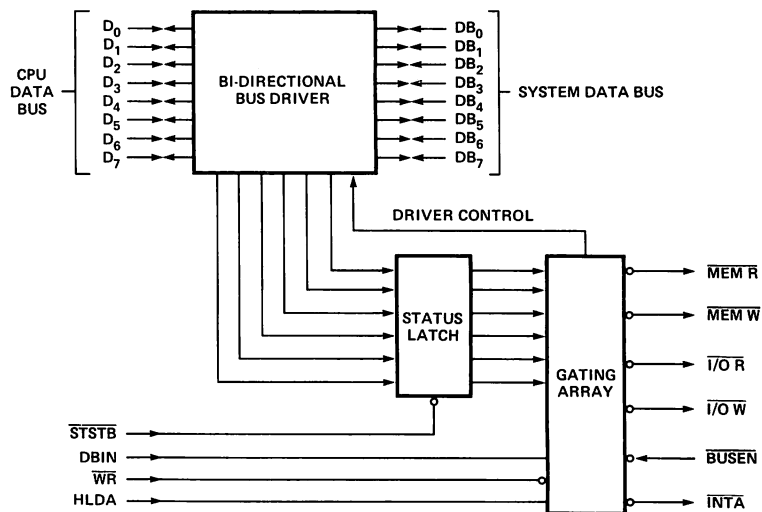
A user selected single level interrupt vector (RST 7) is provided to simplify real time, interrupt driven, small system requirements. The 8228 also generates the correct control signals to allow the use of multiple byte instructions (e.g., CALL) in response to an INTERRUPT ACKNOWLEDGE by the 8080A. This feature permits large, interrupt driven systems to have an unlimited number of interrupt levels.

The 8228 is designed to support a wide variety of system bus structures and also reduce system package count for cost effective, reliable, design of the MCS-80 systems.

PIN CONFIGURATION



8228 BLOCK DIAGRAM



PIN NAMES

D7-D0	DATA BUS (8080 SIDE)	INTA	INTERRUPT ACKNOWLEDGE
DB7-DB0	DATA BUS (SYSTEM SIDE)	HLDA	HLDA (FROM 8080)
I/O \bar{R}	I/O READ	$\bar{W}R$	WR (FROM 8080)
I/O \bar{W}	I/O WRITE	BUSEN	BUS ENABLE INPUT
MEM \bar{R}	MEMORY READ	STSTB	STATUS STROBE (FROM 8224)
MEM \bar{W}	MEMORY WRITE	V _{CC}	+5V
DBIN	DBIN (FROM 8080)	GND	0 VOLTS

SCHOTTKY BIPOLAR 8228

FUNCTIONAL DESCRIPTION

General

The 8228 is a single chip System Controller and Data Bus driver for the 8080 Microcomputer System. It generates all control signals required to directly interface MCS-80™ family RAM, ROM, and I/O components.

Schottky Bipolar technology is used to maintain low delay times and provide high output drive capability to support small to medium systems.

Bi-Directional Bus Driver

An eight bit, bi-directional bus driver is provided to buffer the 8080 data bus from Memory and I/O devices. The 8080A data bus has an input requirement of 3.3 volts (min) and can drive (sink) a maximum current of 1.9mA. The 8228 data bus driver assures that these input requirements will be not only met but exceeded for enhanced noise immunity. Also, on the system side of the driver adequate drive current is available (10mA Typ.) so that a large number of Memory and I/O devices can be directly connected to the bus.

The Bi-Directional Bus Driver is controlled by signals from the Gating Array so that proper bus flow is maintained and its outputs can be forced into their high impedance state (3-state) for DMA activities.

Status Latch

At the beginning of each machine cycle the 8080 CPU issues "status" information on its data bus that indicates the type of activity that will occur during the cycle. The 8228 stores this information in the Status Latch when the \overline{STSTB} input goes "low". The output of the Status Latch is connected to the Gating Array and is part of the Control Signal generation.

Gating Array

The Gating Array generates control signals ($\overline{MEM R}$, $\overline{MEM W}$, $\overline{I/O R}$, $\overline{I/O W}$ and \overline{INTA}) by gating the outputs of the Status Latch with signals from the 8080 CPU (\overline{DBIN} , \overline{WR} , and \overline{HLDA}).

The "read" control signals ($\overline{MEM R}$, $\overline{I/O R}$ and \overline{INTA}) are derived from the logical combination of the appropriate Status Bit (or bits) and the \overline{DBIN} input from the 8080 CPU.

The "write" control signals ($\overline{MEM W}$, $\overline{I/O W}$) are derived from the logical combination of the appropriate Status Bit (or bits) and the \overline{WR} input from the 8080 CPU.

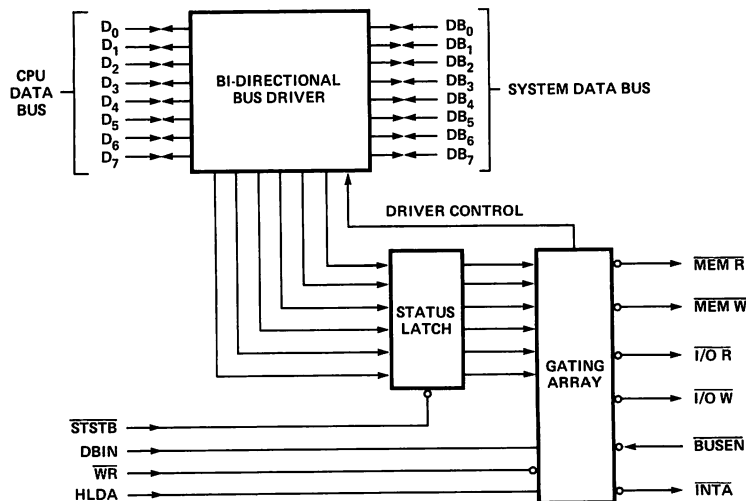
All Control Signals are "active low" and directly interface to MCS-80 family RAM, ROM and I/O components.

The \overline{INTA} control signal is normally used to gate the "interrupt instruction port" onto the bus. It also provides a special feature in the 8228. If only one basic vector is needed in the interrupt structure, such as in small systems, the 8228 can automatically insert a RST 7 instruction onto the bus at the proper time. To use this option, simply connect the \overline{INTA} output of the 8228 (pin 23) to the +12 volt supply through a series resistor (1K ohms). The voltage is sensed internally by the 8228 and logic is "set-up" so that when the \overline{DBIN} input is active a RST 7 instruction is gated on to the bus when an interrupt is acknowledged. This feature provides a single interrupt vector with no additional components, such as an interrupt instruction port.

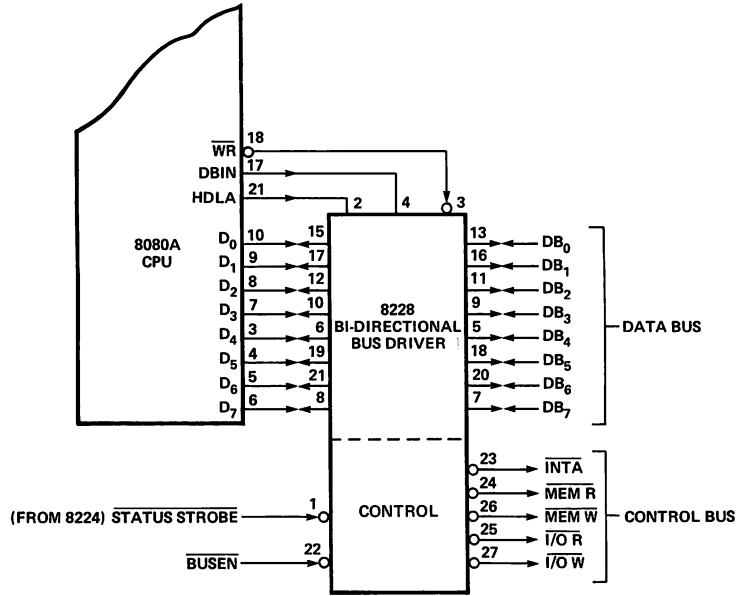
When using **CALL** as an Interrupt instruction the 8228 will generate an \overline{INTA} pulse for each of the three bytes.

The \overline{BUSEN} (Bus Enable) input to the Gating Array is an asynchronous input that forces the data bus output buffers and control signal buffers into their high-impedance state if it is a "one". If \overline{BUSEN} is a "zero" normal operation of the data buffer and control signals take place.

8228 BLOCK DIAGRAM



SCHOTTKY BIPOLAR 8228



STATUS WORD CHART

DATA BUS BIT	STATUS INFORMATION	TYPE OF MACHINE CYCLE									
		①	②	③	④	⑤	⑥	⑦	⑧	⑨	⑩
D ₀	INTA	0	0	0	0	0	0	0	1	0	1
D ₁	$\overline{W}O$	1	1	0	1	0	1	0	1	1	1
D ₂	STACK	0	0	0	1	1	0	0	0	0	0
D ₃	HLTA	0	0	0	0	0	0	0	0	1	1
D ₄	OUT	0	0	0	0	0	0	1	0	0	0
D ₅	M ₁	1	0	0	0	0	0	0	1	0	1
D ₆	INP	0	0	0	0	0	1	0	0	0	0
D ₇	MEMR	1	1	0	1	0	0	0	0	1	0

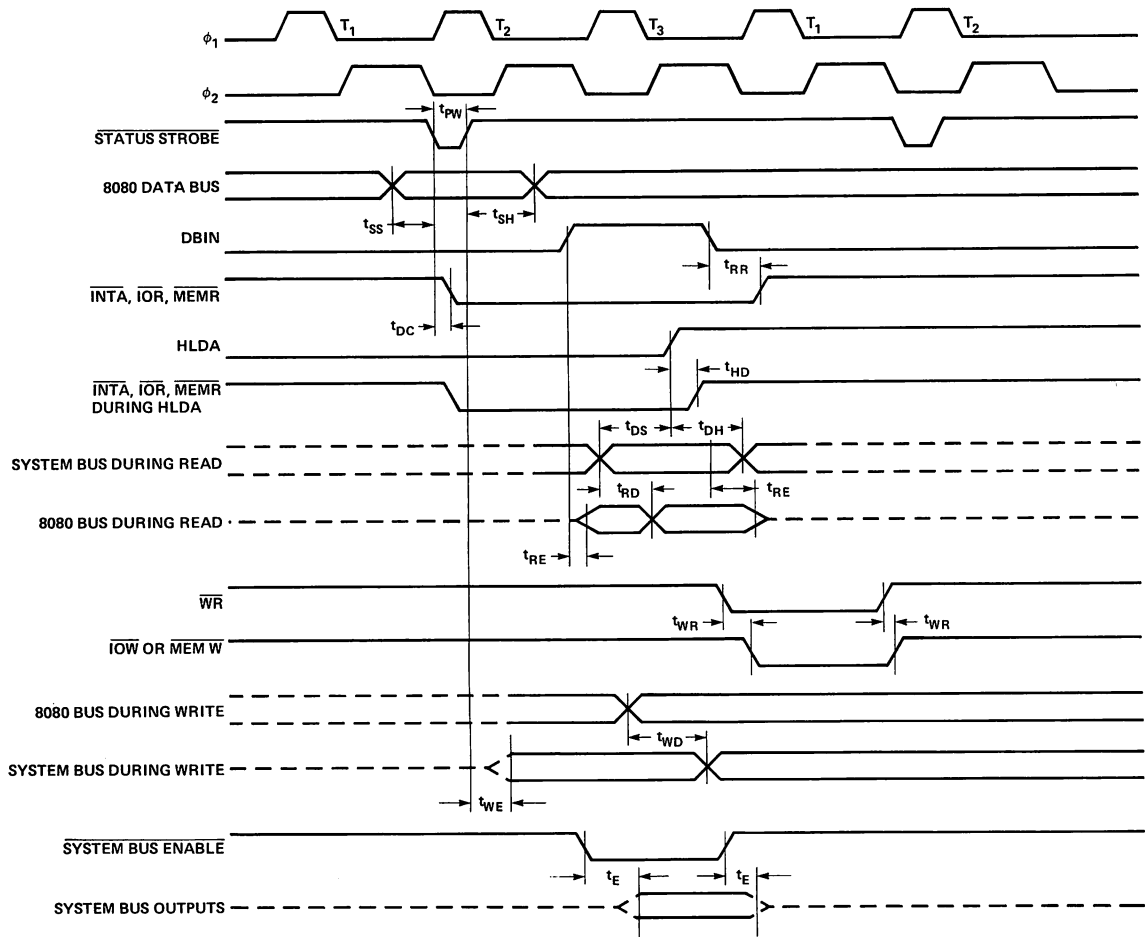
⑩ STATUS WORD

CONTROL SIGNALS

- INTA
- (NONE)
- INTA
- I/O W
- I/O R
- MEM W
- MEM R
- MEM W
- MEM R
- MEM R

SCHOTTKY BIPOLAR 8228

WAVEFORMS



VOLTAGE MEASUREMENT POINTS: D_0 - D_7 (when outputs) Logic "0" = 0.8V, Logic "1" = 3.0V. All other signals measured at 1.5V.

A.C. Characteristics $T_A = 0^\circ\text{C}$ to 70°C ; $V_{CC} = 5V \pm 5\%$.

Symbol	Parameter	Limits		Units	Condition
		Min.	Max.		
t_{PW}	Width of Status Strobe	22		ns	
t_{SS}	Setup Time, Status Inputs D_0 - D_7	8		ns	
t_{SH}	Hold Time, Status Inputs D_0 - D_7	5		ns	
t_{DC}	Delay from \overline{STSTB} to any Control Signal	20	60	ns	$C_L = 100\text{pF}$
t_{RR}	Delay from DBIN to Control Outputs		30	ns	$C_L = 100\text{pF}$
t_{RE}	Delay from DBIN to Enable/Disable 8080 Bus		45	ns	$C_L = 25\text{pF}$
t_{RD}	Delay from System Bus to 8080 Bus during Read		30	ns	$C_L = 25\text{pF}$
t_{WR}	Delay from \overline{WR} to Control Outputs	5	45	ns	$C_L = 100\text{pF}$
t_{WE}	Delay to Enable System Bus DB_0 - DB_7 after \overline{STSTB}		30	ns	$C_L = 100\text{pF}$
t_{WD}	Delay from 8080 Bus D_0 - D_7 to System Bus DB_0 - DB_7 during Write	5	40	ns	$C_L = 100\text{pF}$
t_E	Delay from System Bus Enable to System Bus DB_0 - DB_7		30	ns	$C_L = 100\text{pF}$
t_{HD}	HLDA to Read Status Outputs		25	ns	
t_{DS}	Setup Time, System Bus Inputs to HLDA	10		ns	
t_{DH}	Hold Time, System Bus Inputs to HLDA	20		ns	$C_L = 100\text{pF}$

SCHOTTKY BIPOLAR 8228

D.C. Characteristics $T_A = 0^\circ\text{C}$ to 70°C ; $V_{CC} = 5\text{V} \pm 5\%$.

Symbol	Parameter	Limits			Unit	Test Conditions
		Min.	Typ. [1]	Max.		
V_C	Input Clamp Voltage, All Inputs		.75	-1.0	V	$V_{CC}=4.75\text{V}; I_C=-5\text{mA}$
I_F	Input Load Current, \overline{STSTB}			500	μA	$V_{CC}=5.25\text{V}$ $V_F=0.45\text{V}$
	D_2 & D_6			750	μA	
	$D_0, D_1, D_4, D_5,$ & D_7			250	μA	
	All Other Inputs			250	μA	
I_R	Input Leakage Current \overline{STSTB}			100	μA	$V_{CC}=5.25\text{V}$ $V_R=5.25\text{V}$
	DB_0 - DB_7			20	μA	
	All Other Inputs			100	μA	
V_{TH}	Input Threshold Voltage, All Inputs	0.8		2.0	V	$V_{CC}=5\text{V}$
I_{CC}	Power Supply Current		140	190	mA	$V_{CC}=5.25\text{V}$
V_{OL}	Output Low Voltage, D_0 - D_7			.45	V	$V_{CC}=4.75\text{V}; I_{OL}=2\text{mA}$
	All Other Outputs			.45	V	
V_{OH}	Output High Voltage, D_0 - D_7	3.6	3.8		V	$V_{CC}=4.75\text{V}; I_{OH}=-10\mu\text{A}$
	All Other Outputs	2.4			V	
I_{OS}	Short Circuit Current, All Outputs	15		90	mA	$V_{CC}=5\text{V}$
$I_{O(off)}$	Off State Output Current, All Control Outputs			100	μA	$V_{CC}=5.25\text{V}; V_O=5.25$
				-100	μA	$V_O=.45\text{V}$
I_{INT}	INTA Current			5	mA	(See Figure below)

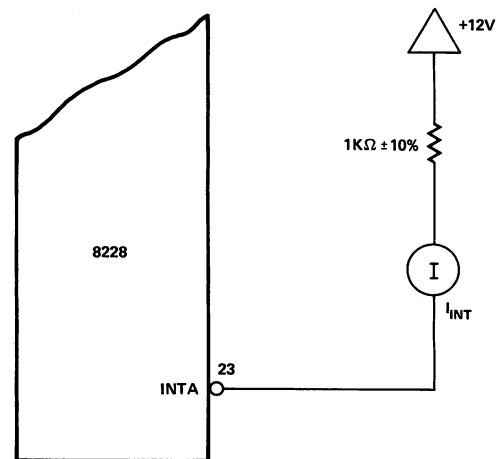
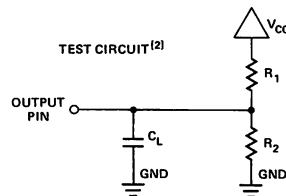
Note 1: Typical values are for $T_A = 25^\circ\text{C}$ and nominal supply voltages.

Capacitance This parameter is periodically sampled and not 100% tested.

Symbol	Parameter	Limits			Unit
		Min.	Typ. [1]	Max.	
C_{IN}	Input Capacitance		8	12	pF
C_{OUT}	Output Capacitance Control Signals		7	15	pF
I/O	I/O Capacitance (D or DB)		8	15	pF

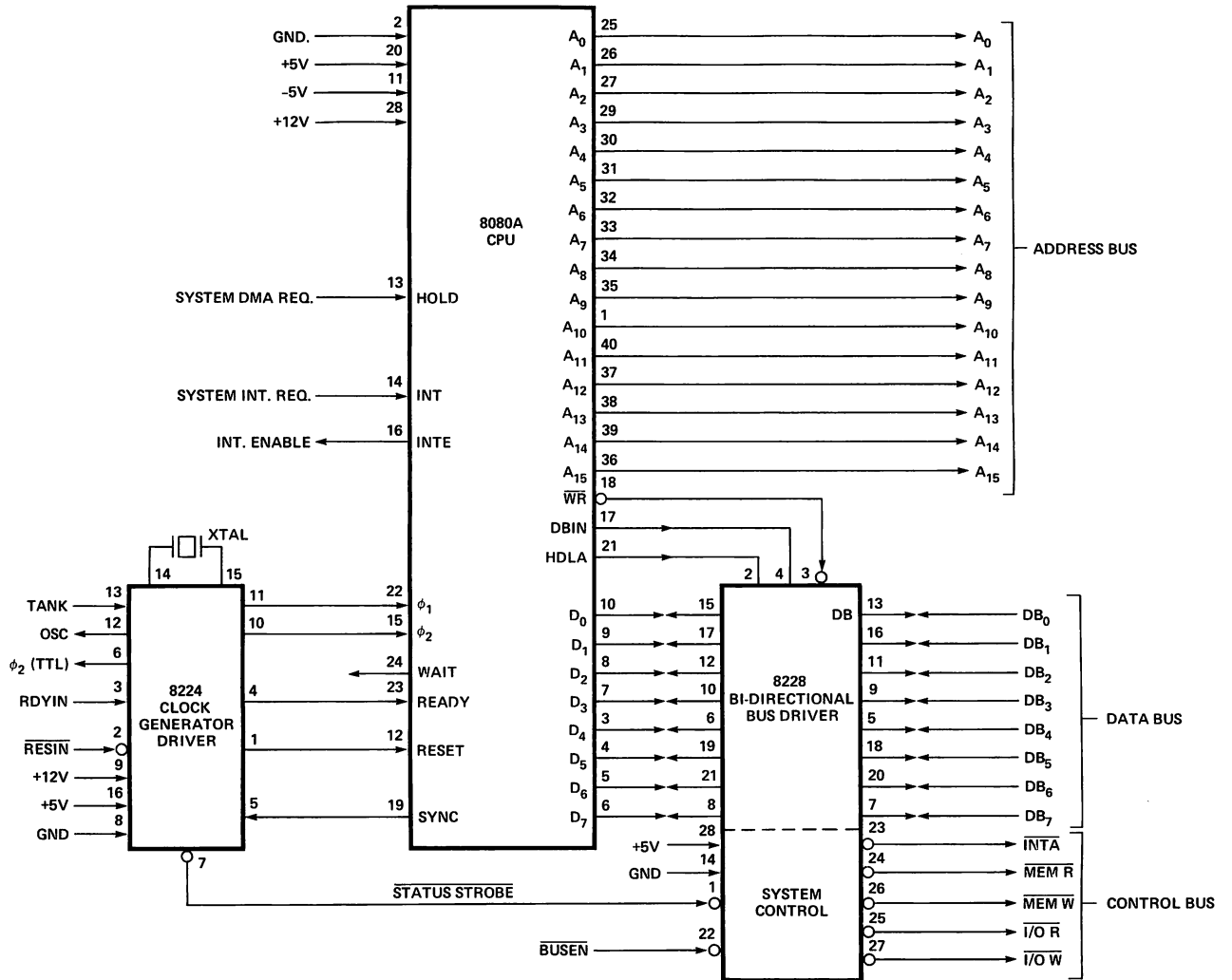
TEST CONDITIONS: $V_{BIAS} = 2.5\text{V}$, $V_{CC} = 5.0\text{V}$, $T_A = 25^\circ\text{C}$, $f = 1\text{MHz}$.

Note 2: For D_0 - D_7 : $R_1 = 4\text{K}\Omega$, $R_2 = \infty\Omega$,
 $C_L = 25\text{pF}$. For all other outputs:
 $R_1 = 500\Omega$, $R_2 = 1\text{K}\Omega$, $C_L = 100\text{pF}$.



INTA Test Circuit (for RST 7)

SCHOTTKY BIPOLAR 8228



8080A CPU Standard Interface



Silicon Gate MOS 8080A

SINGLE CHIP 8-BIT N-CHANNEL MICROPROCESSOR

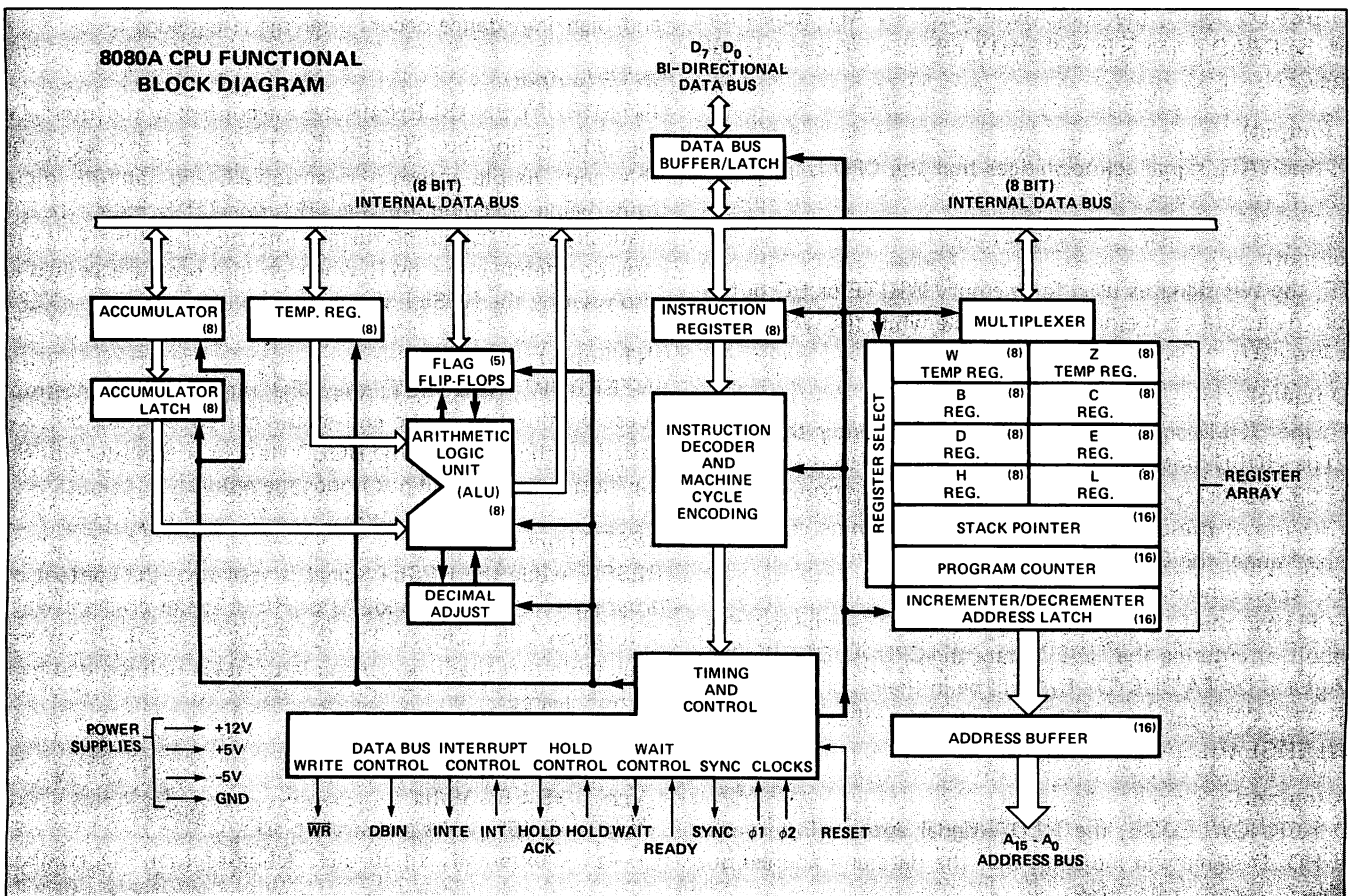
The 8080A is functionally and electrically compatible with the Intel® 8080.

- TTL Drive Capability
- 2 μ s Instruction Cycle
- Powerful Problem Solving Instruction Set
- Six General Purpose Registers and an Accumulator
- Sixteen Bit Program Counter for Directly Addressing up to 64K Bytes of Memory
- Sixteen Bit Stack Pointer and Stack Manipulation Instructions for Rapid Switching of the Program Environment
- Decimal, Binary and Double Precision Arithmetic
- Ability to Provide Priority Vectored Interrupts
- 512 Directly Addressed I/O Ports

The Intel® 8080A is a complete 8-bit parallel central processing unit (CPU). It is fabricated on a single LSI chip using Intel's n-channel silicon gate MOS process. This offers the user a high performance solution to control and processing applications. The 8080A contains six 8-bit general purpose working registers and an accumulator. The six general purpose registers may be addressed individually or in pairs providing both single and double precision operators. Arithmetic and logical instructions set or reset four testable flags. A fifth flag provides decimal arithmetic operation.

The 8080A has an external stack feature wherein any portion of memory may be used as a last in/first out stack to store/retrieve the contents of the accumulator, flags, program counter and all of the six general purpose registers. The sixteen bit stack pointer controls the addressing of this external stack. This stack gives the 8080A the ability to easily handle multiple level priority interrupts by rapidly storing and restoring processor status. It also provides almost unlimited subroutine nesting.

This microprocessor has been designed to simplify systems design. Separate 16-line address and 8-line bi-directional data busses are used to facilitate easy interface to memory and I/O. Signals to control the interface to memory and I/O are provided directly by the 8080A. Ultimate control of the address and data busses resides with the HOLD signal. It provides the ability to suspend processor operation and force the address and data busses into a high impedance state. This permits OR-tying these busses with other controlling devices for (DMA) direct memory access or multi-processor operation.



SILICON GATE MOS 8080A

8080A FUNCTIONAL PIN DEFINITION

The following describes the function of all of the 8080A I/O pins. Several of the descriptions refer to internal timing periods.

A₁₅-A₀ (output three-state)

ADDRESS BUS; the address bus provides the address to memory (up to 64K 8-bit words) or denotes the I/O device number for up to 256 input and 256 output devices. A₀ is the least significant address bit.

D₇-D₀ (input/output three-state)

DATA BUS; the data bus provides bi-directional communication between the CPU, memory, and I/O devices for instructions and data transfers. Also, during the first clock cycle of each machine cycle, the 8080A outputs a status word on the data bus that describes the current machine cycle. D₀ is the least significant bit.

SYNC (output)

SYNCHRONIZING SIGNAL; the SYNC pin provides a signal to indicate the beginning of each machine cycle.

DBIN (output)

DATA BUS IN; the DBIN signal indicates to external circuits that the data bus is in the input mode. This signal should be used to enable the gating of data onto the 8080A data bus from memory or I/O.

READY (input)

READY; the READY signal indicates to the 8080A that valid memory or input data is available on the 8080A data bus. This signal is used to synchronize the CPU with slower memory or I/O devices. If after sending an address out the 8080A does not receive a READY input, the 8080A will enter a WAIT state for as long as the READY line is low. READY can also be used to single step the CPU.

WAIT (output)

WAIT; the WAIT signal acknowledges that the CPU is in a WAIT state.

WR (output)

WRITE; the WR signal is used for memory WRITE or I/O output control. The data on the data bus is stable while the WR signal is active low ($\overline{WR} = 0$).

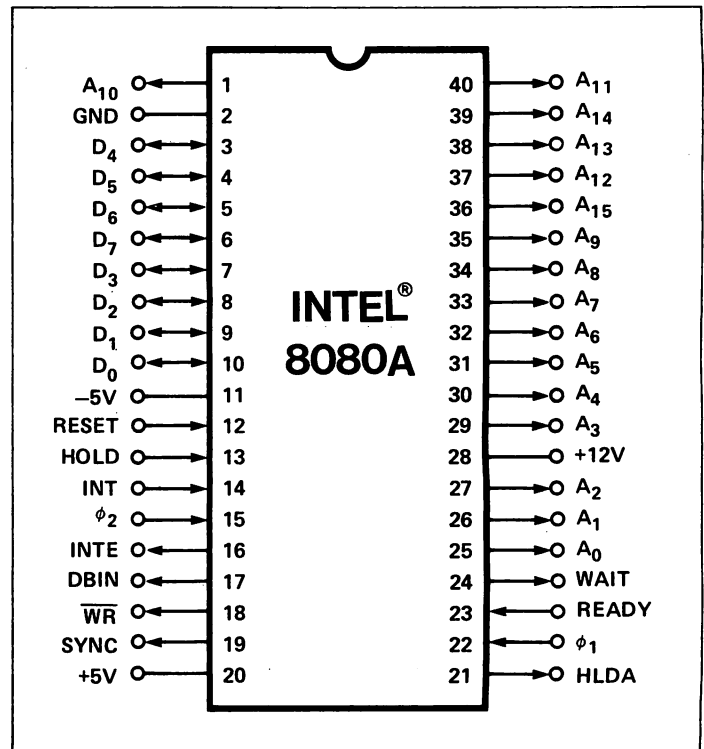
HOLD (input)

HOLD; the HOLD signal requests the CPU to enter the HOLD state. The HOLD state allows an external device to gain control of the 8080A address and data bus as soon as the 8080A has completed its use of these buses for the current machine cycle. It is recognized under the following conditions:

- the CPU is in the HALT state.
 - the CPU is in the T₂ or T_W state and the READY signal is active.
- As a result of entering the HOLD state the CPU ADDRESS BUS (A₁₅-A₀) and DATA BUS (D₇-D₀) will be in their high impedance state. The CPU acknowledges its state with the HOLD ACKNOWLEDGE (HLDA) pin.

HLDA (output)

HOLD ACKNOWLEDGE; the HLDA signal appears in response to the HOLD signal and indicates that the data and address bus



Pin Configuration

will go to the high impedance state. The HLDA signal begins at:

- T₃ for READ memory or input.
- The Clock Period following T₃ for WRITE memory or OUTPUT operation.

In either case, the HLDA signal appears after the rising edge of ϕ_1 and high impedance occurs after the rising edge of ϕ_2 .

INTE (output)

INTERRUPT ENABLE; indicates the content of the internal interrupt enable flip/flop. This flip/flop may be set or reset by the Enable and Disable Interrupt instructions and inhibits interrupts from being accepted by the CPU when it is reset. It is automatically reset (disabling further interrupts) at time T₁ of the instruction fetch cycle (M1) when an interrupt is accepted and is also reset by the RESET signal.

INT (input)

INTERRUPT REQUEST; the CPU recognizes an interrupt request on this line at the end of the current instruction or while halted. If the CPU is in the HOLD state or if the Interrupt Enable flip/flop is reset it will not honor the request.

RESET (input) [1]

RESET; while the RESET signal is activated, the content of the program counter is cleared. After RESET, the program will start at location 0 in memory. The INTE and HLDA flip/flops are also reset. Note that the flags, accumulator, stack pointer, and registers are not cleared.

- V_{SS} Ground Reference.
- V_{DD} +12 ± 5% Volts.
- V_{CC} +5 ± 5% Volts.
- V_{BB} -5 ± 5% Volts (substrate bias).
- ϕ_1, ϕ_2 2 externally supplied clock phases. (non TTL compatible)

SILICON GATE MOS 8080 A

ABSOLUTE MAXIMUM RATINGS*

Temperature Under Bias	0°C to +70°C
Storage Temperature	-65°C to +150°C
All Input or Output Voltages With Respect to V_{BB}	-0.3V to +20V
V_{CC} , V_{DD} and V_{SS} With Respect to V_{BB}	-0.3V to +20V
Power Dissipation	1.5W

*COMMENT: Stresses above those listed under "Absolute Maximum Ratings" may cause permanent damage to the device. This is a stress rating only and functional operation of the device at these or any other conditions above those indicated in the operational sections of this specification is not implied. Exposure to absolute maximum rating conditions for extended periods may affect device reliability.

D.C. CHARACTERISTICS

$T_A = 0^\circ\text{C}$ to 70°C , $V_{DD} = +12\text{V} \pm 5\%$, $V_{CC} = +5\text{V} \pm 5\%$, $V_{BB} = -5\text{V} \pm 5\%$, $V_{SS} = 0\text{V}$, Unless Otherwise Noted.

Symbol	Parameter	Min.	Typ.	Max.	Unit	Test Condition
V_{ILC}	Clock Input Low Voltage	$V_{SS}-1$		$V_{SS}+0.8$	V	$I_{OL} = 1.9\text{mA}$ on all outputs, $I_{OH} = -150\mu\text{A}$.
V_{IHC}	Clock Input High Voltage	9.0		$V_{DD}+1$	V	
V_{IL}	Input Low Voltage	$V_{SS}-1$		$V_{SS}+0.8$	V	
V_{IH}	Input High Voltage	3.3		$V_{CC}+1$	V	
V_{OL}	Output Low Voltage			0.45	V	
V_{OH}	Output High Voltage	3.7			V	
$I_{DD(AV)}$	Avg. Power Supply Current (V_{DD})		40	70	mA	Operation $T_{CY} = .48 \mu\text{sec}$
$I_{CC(AV)}$	Avg. Power Supply Current (V_{CC})		60	80	mA	
$I_{BB(AV)}$	Avg. Power Supply Current (V_{BB})		.01	1	mA	
I_{IL}	Input Leakage			± 10	μA	$V_{SS} \leq V_{IN} \leq V_{CC}$
I_{CL}	Clock Leakage			± 10	μA	$V_{SS} \leq V_{CLOCK} \leq V_{DD}$
$I_{DL}^{[2]}$	Data Bus Leakage in Input Mode			-100 -2.0	μA mA	$V_{SS} \leq V_{IN} \leq V_{SS} + 0.8\text{V}$ $V_{SS} + 0.8\text{V} \leq V_{IN} \leq V_{CC}$
I_{FL}	Address and Data Bus Leakage During HOLD			+10 -100	μA	$V_{ADDR/DATA} = V_{CC}$ $V_{ADDR/DATA} = V_{SS} + 0.45\text{V}$

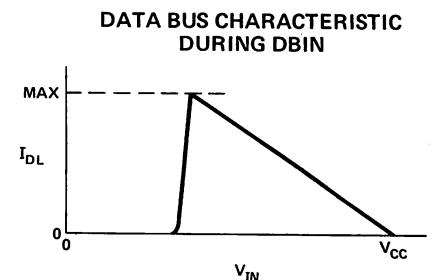
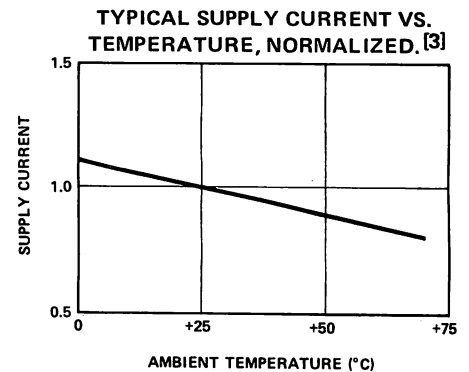
CAPACITANCE

$T_A = 25^\circ\text{C}$ $V_{CC} = V_{DD} = V_{SS} = 0\text{V}$, $V_{BB} = -5\text{V}$

Symbol	Parameter	Typ.	Max.	Unit	Test Condition
C_ϕ	Clock Capacitance	17	25	pf	$f_c = 1 \text{ MHz}$
C_{IN}	Input Capacitance	6	10	pf	Unmeasured Pins
C_{OUT}	Output Capacitance	10	20	pf	Returned to V_{SS}

NOTES:

- The RESET signal must be active for a minimum of 3 clock cycles.
- When DBIN is high and $V_{IN} > V_{IH}$ an internal active pull up will be switched onto the Data Bus.
- $\Delta I_{\text{supply}} / \Delta T_A = -0.45\% / ^\circ\text{C}$.



SILICON GATE MOS 8080A

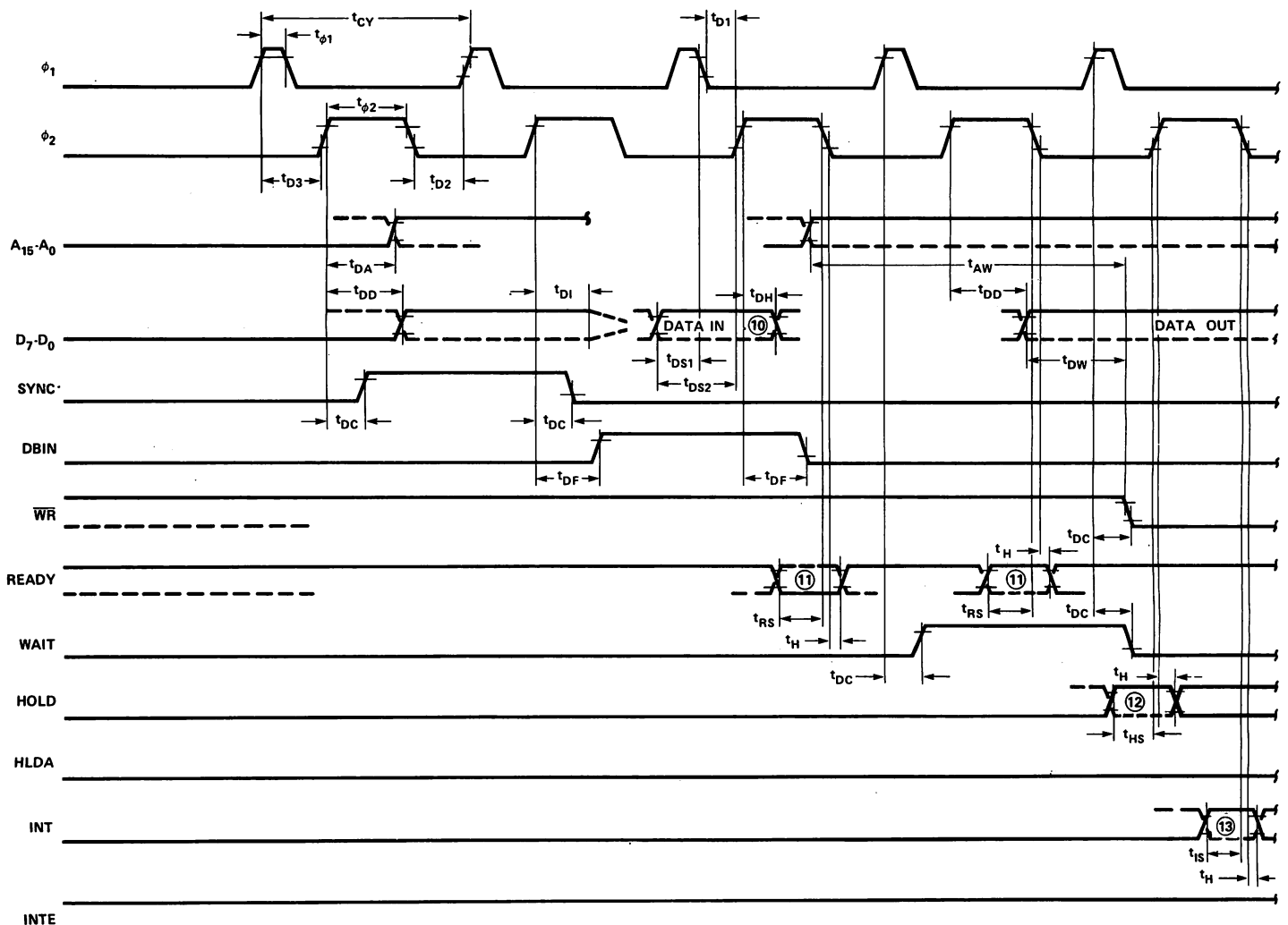
A.C. CHARACTERISTICS

$T_A = 0^\circ\text{C}$ to 70°C , $V_{DD} = +12\text{V} \pm 5\%$, $V_{CC} = +5\text{V} \pm 5\%$, $V_{BB} = -5\text{V} \pm 5\%$, $V_{SS} = 0\text{V}$, Unless Otherwise Noted

Symbol	Parameter	Min.	Max.	Unit	Test Condition
$t_{CY}^{[3]}$	Clock Period	0.48	2.0	μsec	
t_r, t_f	Clock Rise and Fall Time	0	50	nsec	
$t_{\phi 1}$	ϕ_1 Pulse Width	60		nsec	
$t_{\phi 2}$	ϕ_2 Pulse Width	220		nsec	
t_{D1}	Delay ϕ_1 to ϕ_2	0		nsec	
t_{D2}	Delay ϕ_2 to ϕ_1	70		nsec	
t_{D3}	Delay ϕ_1 to ϕ_2 Leading Edges	80		nsec	
$t_{DA}^{[2]}$	Address Output Delay From ϕ_2		200	nsec	$C_L = 100\text{pf}$
$t_{DD}^{[2]}$	Data Output Delay From ϕ_2		220	nsec	
$t_{DC}^{[2]}$	Signal Output Delay From ϕ_1 , or ϕ_2 (SYNC, \overline{WR} , WAIT, HLDA)		120	nsec	$C_L = 50\text{pf}$
$t_{DF}^{[2]}$	DBIN Delay From ϕ_2	25	140	nsec	
$t_{D1}^{[1]}$	Delay for Input Bus to Enter Input Mode		t_{DF}	nsec	
t_{DS1}	Data Setup Time During ϕ_1 and DBIN	30		nsec	

TIMING WAVEFORMS ^[14]

(Note: Timing measurements are made at the following reference voltages: CLOCK "1" = 8.0V "0" = 1.0V; INPUTS "1" = 3.3V, "0" = 0.8V; OUTPUTS "1" = 2.0V, "0" = 0.8V.)



SILICON GATE MOS 8080A

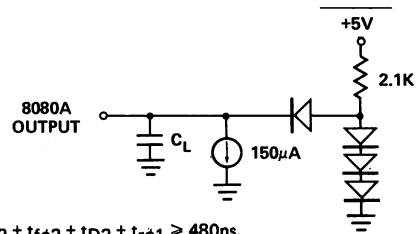
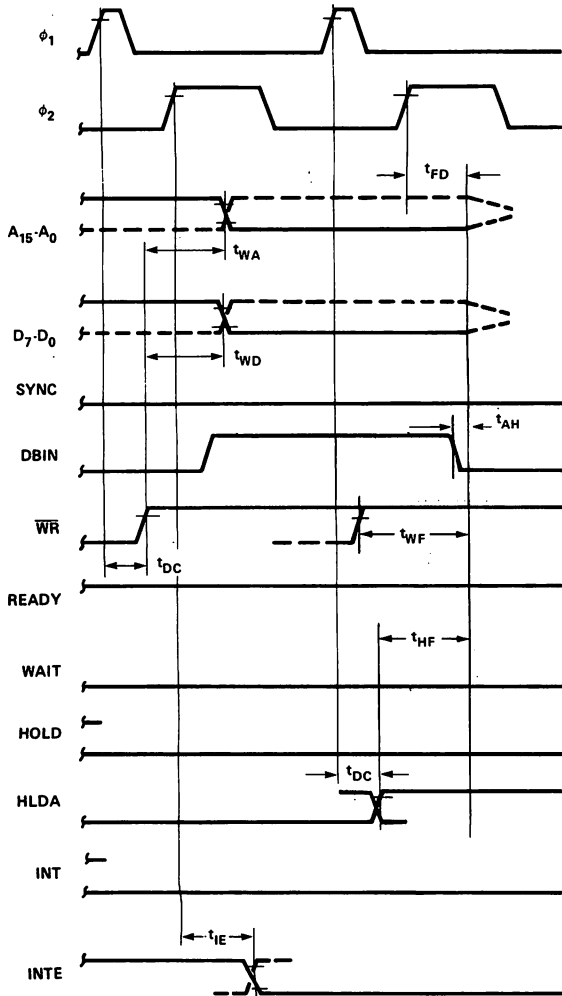
A.C. CHARACTERISTICS (Continued)

$T_A = 0^\circ\text{C}$ to 70°C , $V_{DD} = +12\text{V} \pm 5\%$, $V_{CC} = +5\text{V} \pm 5\%$, $V_{BB} = -5\text{V} \pm 5\%$, $V_{SS} = 0\text{V}$, Unless Otherwise Noted

Symbol	Parameter	Min.	Max.	Unit	Test Condition	
t_{DS2}	Data Setup Time to ϕ_2 During DBIN	150		nsec	$C_L = 50\text{pf}$	
$t_{DH}^{[1]}$	Data Hold Time From ϕ_2 During DBIN	[1]		nsec		
$t_{IE}^{[2]}$	INTE Output Delay From ϕ_2		200	nsec		
t_{RS}	READY Setup Time During ϕ_2	120		nsec		
t_{HS}	HOLD Setup Time to ϕ_2	140		nsec		
t_{IS}	INT Setup Time During ϕ_2 (During ϕ_1 in Halt Mode)	120		nsec		
t_H	Hold Time From ϕ_2 (READY, INT, HOLD)	0		nsec		
t_{FD}	Delay to Float During Hold (Address and Data Bus)		120	nsec		
$t_{AW}^{[2]}$	Address Stable Prior to \overline{WR}	[5]		nsec		$C_L = 100\text{pf}$: Address, Data $C_L = 50\text{pf}$: \overline{WR} , HLDA, DBIN
$t_{DW}^{[2]}$	Output Data Stable Prior to \overline{WR}	[6]		nsec		
$t_{WD}^{[2]}$	Output Data Stable From \overline{WR}	[7]		nsec		
$t_{WA}^{[2]}$	Address Stable From \overline{WR}	[7]		nsec		
$t_{HF}^{[2]}$	HLDA to Float Delay	[8]		nsec		
$t_{WF}^{[2]}$	\overline{WR} to Float Delay	[9]		nsec		
$t_{AH}^{[2]}$	Address Hold Time After DBIN During HLDA	-20		nsec		

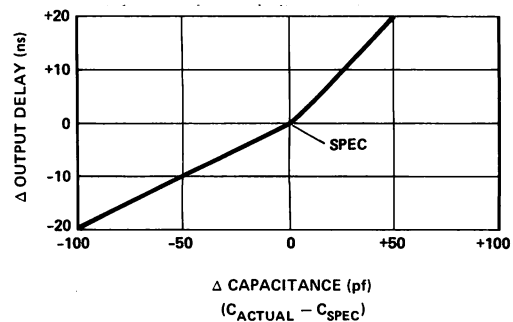
NOTES:

- Data input should be enabled with DBIN status. No bus conflict can then occur and data hold time is assured. $t_{DH} = 50\text{ns}$ or t_{DF} , whichever is less.
- Load Circuit.



- $t_{CY} = t_{D3} + t_{r\phi 2} + t_{\phi 2} + t_{f\phi 2} + t_{D2} + t_{r\phi 1} \geq 480\text{ns}$.

TYPICAL Δ OUTPUT DELAY VS. Δ CAPACITANCE



- The following are relevant when interfacing the 8080A to devices having $V_{IH} = 3.3\text{V}$:
 - Maximum output rise time from .8V to 3.3V = 100ns @ $C_L = \text{SPEC}$.
 - Output delay when measured to 3.0V = SPEC + 60ns @ $C_L = \text{SPEC}$.
 - If $C_L \neq \text{SPEC}$, add .6ns/pF if $C_L > C_{\text{SPEC}}$, subtract .3ns/pF (from modified delay) if $C_L < C_{\text{SPEC}}$.
- $t_{AW} = 2 t_{CY} - t_{D3} - t_{r\phi 2} - 140\text{nsec}$.
- $t_{DW} = t_{CY} - t_{D3} - t_{r\phi 2} - 170\text{nsec}$.
- If not HLDA, $t_{WD} = t_{WA} = t_{D3} + t_{r\phi 2} + 10\text{ns}$. If HLDA, $t_{WD} = t_{WA} = t_{WF}$.
- $t_{HF} = t_{D3} + t_{r\phi 2} - 50\text{ns}$.
- $t_{WF} = t_{D3} + t_{r\phi 2} - 10\text{ns}$.
- Data in must be stable for this period during DBIN $\cdot T_3$. Both t_{DS1} and t_{DS2} must be satisfied.
- Ready signal must be stable for this period during T_2 or T_{WH} . (Must be externally synchronized.)
- Hold signal must be stable for this period during T_2 or T_{WH} when entering hold mode, and during T_3, T_4, T_5 and T_{WH} when in hold mode. (External synchronization is not required.)
- Interrupt signal must be stable during this period of the last clock cycle of any instruction in order to be recognized on the following instruction. (External synchronization is not required.)
- This timing diagram shows timing relationships only; it does not represent any specific machine cycle.

INSTRUCTION SET

The accumulator group instructions include arithmetic and logical operators with direct, indirect, and immediate addressing modes.

Move, load, and store instruction groups provide the ability to move either 8 or 16 bits of data between memory, the six working registers and the accumulator using direct, indirect, and immediate addressing modes.

The ability to branch to different portions of the program is provided with jump, jump conditional, and computed jumps. Also the ability to call to and return from sub-routines is provided both conditionally and unconditionally. The RESTART (or single byte call instruction) is useful for interrupt vector operation.

Double precision operators such as stack manipulation and double add instructions extend both the arithmetic and interrupt handling capability of the 8080A. The ability to

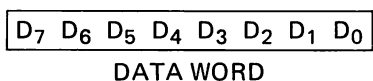
increment and decrement memory, the six general registers and the accumulator is provided as well as extended increment and decrement instructions to operate on the register pairs and stack pointer. Further capability is provided by the ability to rotate the accumulator left or right through or around the carry bit.

Input and output may be accomplished using memory addresses as I/O ports or the directly addressed I/O provided for in the 8080A instruction set.

The following special instruction group completes the 8080A instruction set: the NOP instruction, HALT to stop processor execution and the DAA instructions provide decimal arithmetic capability. STC allows the carry flag to be directly set, and the CMC instruction allows it to be complemented. CMA complements the contents of the accumulator and XCHG exchanges the contents of two 16-bit register pairs directly.

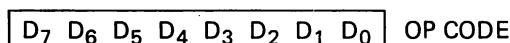
Data and Instruction Formats

Data in the 8080A is stored in the form of 8-bit binary integers. All data transfers to the system data bus will be in the same format.



The program instructions may be one, two, or three bytes in length. Multiple byte instructions must be stored in successive words in program memory. The instruction formats then depend on the particular operation executed.

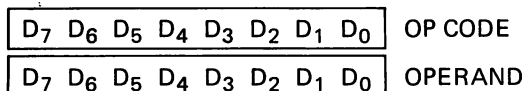
One Byte Instructions



TYPICAL INSTRUCTIONS

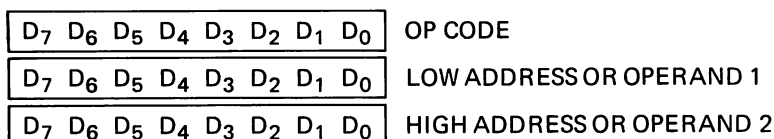
Register to register, memory reference, arithmetic or logical, rotate, return, push, pop, enable or disable
Interrupt instructions

Two Byte Instructions



Immediate mode or I/O instructions

Three Byte Instructions



Jump, call or direct load and store instructions

For the 8080A a logic "1" is defined as a high level and a logic "0" is defined as a low level.

SILICON GATE MOS 8080A

INSTRUCTION SET

Summary of Processor Instructions

Mnemonic	Description	Instruction Code ⁽¹⁾								Clock ⁽²⁾ Cycles	Mnemonic	Description	Instruction Code ⁽¹⁾								Clock ⁽²⁾ Cycles
		D ₇	D ₆	D ₅	D ₄	D ₃	D ₂	D ₁	D ₀				D ₇	D ₆	D ₅	D ₄	D ₃	D ₂	D ₁	D ₀	
MOV _{r1,r2}	Move register to register	0	1	D	D	D	S	S	S	5	RZ	Return on zero	1	1	0	0	1	0	0	0	5/11
MOV _{M,r}	Move register to memory	0	1	1	1	0	S	S	S	7	RNZ	Return on no zero	1	1	0	0	0	0	0	0	5/11
MOV _{r,M}	Move memory to register	0	1	D	D	D	1	1	0	7	RP	Return on positive	1	1	1	1	0	0	0	0	5/11
HLT	Halt	0	1	1	1	0	1	1	0	7	RM	Return on minus	1	1	1	1	1	0	0	0	5/11
MVI _r	Move immediate register	0	0	D	D	D	1	1	0	7	RPE	Return on parity even	1	1	1	0	1	0	0	0	5/11
MVI _M	Move immediate memory	0	0	1	1	0	1	1	0	10	RPO	Return on parity odd	1	1	1	0	0	0	0	0	5/11
INR _r	Increment register	0	0	D	D	D	1	0	0	5	RST	Restart	1	1	A	A	A	1	1	1	11
DCR _r	Decrement register	0	0	D	D	D	1	0	1	5	IN	Input	1	1	0	1	1	0	1	1	10
INR _M	Increment memory	0	0	1	1	0	1	0	0	10	OUT	Output	1	1	0	1	0	0	1	1	10
DCR _M	Decrement memory	0	0	1	1	0	1	0	1	10	LXI _B	Load immediate register Pair B & C	0	0	0	0	0	0	0	1	10
ADD _r	Add register to A	1	0	0	0	0	S	S	S	4	LXI _D	Load immediate register Pair D & E	0	0	0	1	0	0	0	1	10
ADC _r	Add register to A with carry	1	0	0	0	1	S	S	S	4	LXI _H	Load immediate register Pair H & L	0	0	1	0	0	0	0	1	10
SUB _r	Subtract register from A	1	0	0	1	0	S	S	S	4	LXI _{SP}	Load immediate stack pointer	0	0	1	1	0	0	0	1	10
SBB _r	Subtract register from A with borrow	1	0	0	1	1	S	S	S	4	PUSH _B	Push register Pair B & C on stack	1	1	0	0	0	1	0	1	11
ANA _r	And register with A	1	0	1	0	0	S	S	S	4	PUSH _D	Push register Pair D & E on stack	1	1	0	1	0	1	0	1	11
XRA _r	Exclusive Or register with A	1	0	1	0	1	S	S	S	4	PUSH _H	Push register Pair H & L on stack	1	1	1	0	0	1	0	1	11
ORA _r	Or register with A	1	0	1	1	0	S	S	S	4	PUSH _{PSW}	Push A and Flags on stack	1	1	1	1	0	1	0	1	11
CMP _r	Compare register with A	1	0	1	1	1	S	S	S	4	POP _B	Pop register pair B & C off stack	1	1	0	0	0	0	0	1	10
ADD _M	Add memory to A	1	0	0	0	0	1	1	0	7	POP _D	Pop register pair D & E off stack	1	1	0	1	0	0	0	1	10
ADC _M	Add memory to A with carry	1	0	0	0	1	1	1	0	7	POP _H	Pop register pair H & L off stack	1	1	1	0	0	0	0	1	10
SUB _M	Subtract memory from A	1	0	0	1	0	1	1	0	7	POP _{PSW}	Pop A and Flags off stack	1	1	1	1	0	0	0	1	10
SBB _M	Subtract memory from A with borrow	1	0	0	1	1	1	1	0	7	STA	Store A direct	0	0	1	1	0	0	1	0	13
ANA _M	And memory with A	1	0	1	0	0	1	1	0	7	LDA	Load A direct	0	0	1	1	1	0	1	0	13
XRA _M	Exclusive Or memory with A	1	0	1	0	1	1	1	0	7	XCHG	Exchange D & E, H & L Registers	1	1	1	0	1	0	1	1	4
ORA _M	Or memory with A	1	0	1	1	0	1	1	0	7	XTHL	Exchange top of stack, H & L	1	1	1	0	0	0	1	1	18
CMP _M	Compare memory with A	1	0	1	1	1	1	1	0	7	SPHL	H & L to stack pointer	1	1	1	1	1	0	0	1	5
ADI	Add immediate to A	1	1	0	0	0	1	1	0	7	PCHL	H & L to program counter	1	1	0	1	0	1	0	1	5
ACI	Add immediate to A with carry	1	1	0	0	1	1	1	0	7	DAD _B	Add B & C to H & L	0	0	0	0	1	0	0	1	10
SUI	Subtract immediate from A	1	1	0	1	0	1	1	0	7	DAD _D	Add D & E to H & L	0	0	0	1	1	0	0	1	10
SBI	Subtract immediate from A with borrow	1	1	0	1	1	1	1	0	7	DAD _H	Add H & L to H & L	0	0	1	0	1	0	0	1	10
ANI	And immediate with A	1	1	1	0	0	1	1	0	7	DAD _{SP}	Add stack pointer to H & L	0	0	1	1	1	0	0	1	10
XRI	Exclusive Or immediate with A	1	1	1	0	1	1	1	0	7	STAX _B	Store A indirect	0	0	0	0	0	0	1	0	7
ORI	Or immediate with A	1	1	1	1	0	1	1	0	7	STAX _D	Store A indirect	0	0	0	1	0	0	1	0	7
CPI	Compare immediate with A	1	1	1	1	1	1	1	0	7	LDAX _B	Load A indirect	0	0	0	0	1	0	1	0	7
RLC	Rotate A left	0	0	0	0	0	1	1	1	4	LDAX _D	Load A indirect	0	0	0	1	1	0	1	0	7
RRC	Rotate A right	0	0	0	0	1	1	1	1	4	INX _B	Increment B & C registers	0	0	0	0	0	0	1	1	5
RAL	Rotate A left through carry	0	0	0	1	0	1	1	1	4	INX _D	Increment D & E registers	0	0	0	1	0	0	1	1	5
RAR	Rotate A right through carry	0	0	0	1	1	1	1	1	4	INX _H	Increment H & L registers	0	0	1	0	0	0	1	1	5
JMP	Jump unconditional	1	1	0	0	0	0	1	1	10	INX _{SP}	Increment stack pointer	0	0	1	1	0	0	1	1	5
JC	Jump on carry	1	1	0	1	1	0	1	0	10	DCX _B	Decrement B & C	0	0	0	0	1	0	1	1	5
JNC	Jump on no carry	1	1	0	1	0	0	1	0	10	DCX _D	Decrement D & E	0	0	0	1	1	0	1	1	5
JZ	Jump on zero	1	1	0	0	1	0	1	0	10	DCX _H	Decrement H & L	0	0	1	0	1	0	1	1	5
JNZ	Jump on no zero	1	1	0	0	0	0	1	0	10	DCX _{SP}	Decrement stack pointer	0	0	1	1	1	0	1	1	5
JP	Jump on positive	1	1	1	1	0	0	1	0	10	CMA	Complement A	0	0	1	0	1	1	1	1	4
JM	Jump on minus	1	1	1	1	1	0	1	0	10	STC	Set carry	0	0	1	1	0	1	1	1	4
JPE	Jump on parity even	1	1	1	0	1	0	1	0	10	CMC	Complement carry	0	0	1	1	1	1	1	1	4
JPO	Jump on parity odd	1	1	1	0	0	0	1	0	10	DAA	Decimal adjust A	0	0	1	0	0	1	1	1	4
CALL	Call unconditional	1	1	0	0	1	1	0	1	17	SHLD	Store H & L direct	0	0	1	0	0	0	1	0	16
CC	Call on carry	1	1	0	1	1	1	0	0	11/17	LHLD	Load H & L direct	0	0	1	0	1	0	1	0	16
CNC	Call on no carry	1	1	0	1	0	1	0	0	11/17	EI	Enable Interrupts	1	1	1	1	0	0	1	1	4
CZ	Call on zero	1	1	0	0	1	1	0	0	11/17	DI	Disable interrupt	1	1	1	1	0	0	1	1	4
CNZ	Call on no zero	1	1	0	0	0	1	0	0	11/17	NOP	No-operation	0	0	0	0	0	0	0	0	4
CP	Call on positive	1	1	1	1	0	1	0	0	11/17											
CM	Call on minus	1	1	1	1	1	1	0	0	11/17											
CPE	Call on parity even	1	1	1	0	1	1	0	0	11/17											
CPO	Call on parity odd	1	1	1	0	0	1	0	0	11/17											
RET	Return	1	1	0	0	1	0	0	1	10											
RC	Return on carry	1	1	0	1	1	0	0	0	5/11											
RNC	Return on no carry	1	1	0	1	0	0	0	0	5/11											

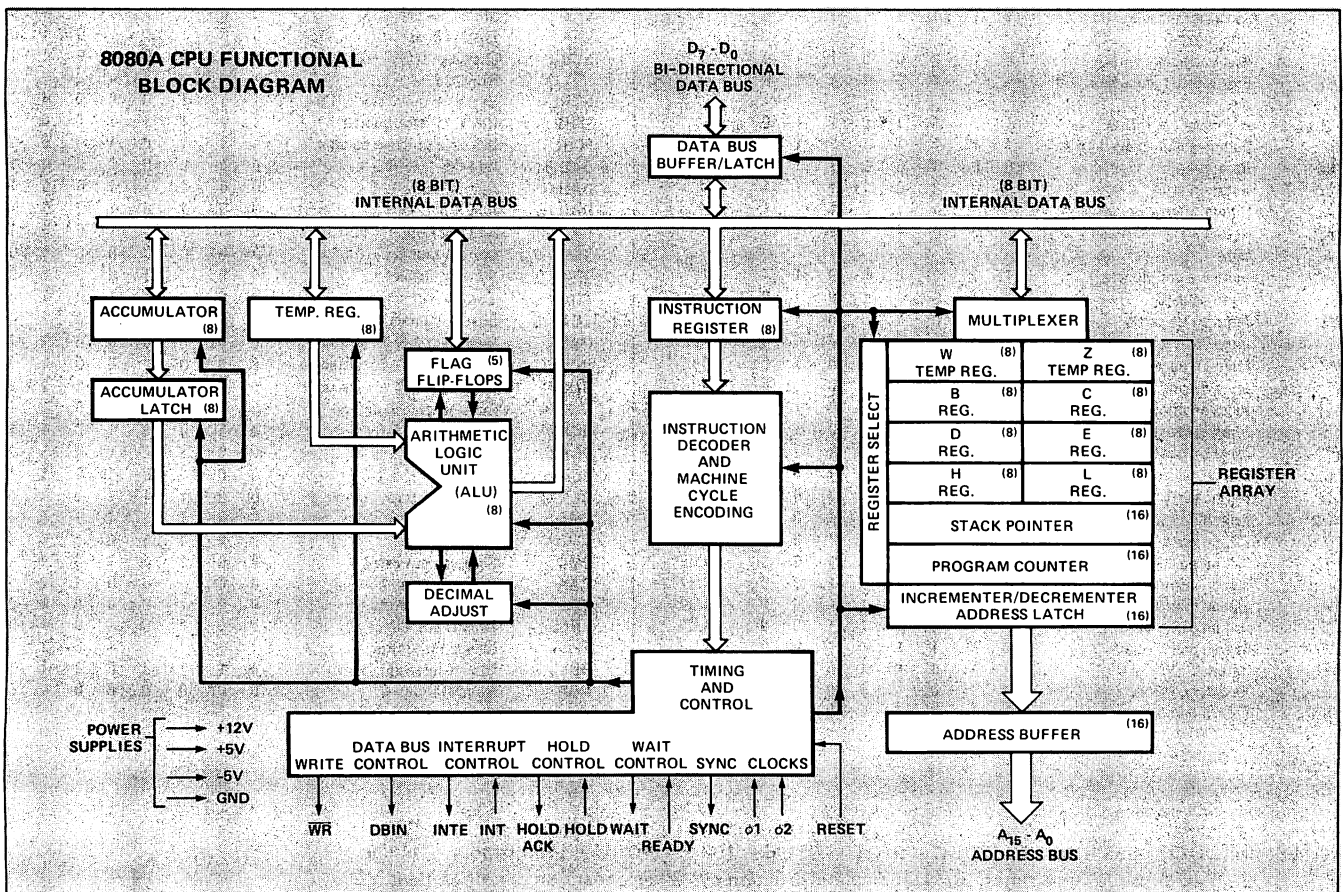
NOTES: 1. DDD or SSS – 000 B – 001 C – 010 D – 011 E – 100 H – 101 L – 110 Memory – 111 A.
2. Two possible cycle times, (5/11) indicate instruction cycles dependent on condition flags.

SINGLE CHIP 8-BIT N-CANNEL MICROPROCESSOR

- TTL Drive Capability
- 1.3 μ s Instruction Cycle
- Powerful Problem Solving Instruction Set
- Six General Purpose Registers and an Accumulator
- Sixteen Bit Program Counter for Directly Addressing up to 64K Bytes of Memory
- Sixteen Bit Stack Pointer and Stack Manipulation Instructions for Rapid Switching of the Program Environment
- Decimal, Binary and Double Precision Arithmetic
- Ability to Provide Priority Vectored Interrupts
- 512 Directly Addressed I/O Ports

The Intel® 8080A is a complete 8-bit parallel central processing unit (CPU). It is fabricated on a single LSI chip using Intel's n-channel silicon gate MOS process. This offers the user a high performance solution to control and processing applications. The 8080A contains six 8-bit general purpose working registers and an accumulator. The six general purpose registers may be addressed individually or in pairs providing both single and double precision operators. Arithmetic and logical instructions set or reset four testable flags. A fifth flag provides decimal arithmetic operation.

The 8080A has an external stack feature wherein any portion of memory may be used as a last in/first out stack to store/retrieve the contents of the accumulator, flags, program counter and all of the six general purpose registers. The sixteen bit stack pointer controls the addressing of this external stack. This stack gives the 8080A the ability to easily handle multiple level priority interrupts by rapidly storing and restoring processor status. It also provides almost unlimited subroutine nesting. This microprocessor has been designed to simplify systems design. Separate 16-line address and 8-line bi-directional data busses are used to facilitate easy interface to memory and I/O. Signals to control the interface to memory and I/O are provided directly by the 8080A. Ultimate control of the address and data busses resides with the HOLD signal. It provides the ability to suspend processor operation and force the address and data busses into a high impedance state. This permits OR-ing these busses with other controlling devices for (DMA) direct memory access or multi-processor operation.



SILICON GATE MOS 8080A-1

ABSOLUTE MAXIMUM RATINGS*

Temperature Under Bias	0°C to +70°C
Storage Temperature	-65°C to +150°C
All Input or Output Voltages	
With Respect to V_{BB}	-0.3V to +20V
V_{CC} , V_{DD} and V_{SS} With Respect to V_{BB}	-0.3V to +20V
Power Dissipation	1.5W

**COMMENT: Stresses above those listed under "Absolute Maximum Ratings" may cause permanent damage to the device. This is a stress rating only and functional operation of the device at these or any other conditions above those indicated in the operational sections of this specification is not implied. Exposure to absolute maximum rating conditions for extended periods may affect device reliability.*

D.C. CHARACTERISTICS

$T_A = 0^\circ\text{C}$ to 70°C , $V_{DD} = +12\text{V} \pm 5\%$, $V_{CC} = +5\text{V} \pm 5\%$, $V_{BB} = -5\text{V} \pm 5\%$, $V_{SS} = 0\text{V}$, Unless Otherwise Noted.

Symbol	Parameter	Min.	Typ.	Max.	Unit	Test Condition
V_{ILC}	Clock Input Low Voltage	$V_{SS}-1$		$V_{SS}+0.8$	V	
V_{IHC}	Clock Input High Voltage	9.0		$V_{DD}+1$	V	
V_{IL}	Input Low Voltage	$V_{SS}-1$		$V_{SS}+0.8$	V	
V_{IH}	Input High Voltage	3.3		$V_{CC}+1$	V	
V_{OL}	Output Low Voltage			0.45	V	
V_{OH}	Output High Voltage	3.7			V	$I_{OL} = 1.9\text{mA}$ on all outputs, $I_{OH} = 150\mu\text{A}$.
$I_{DD}(\text{AV})$	Avg. Power Supply Current (V_{DD})		40	70	mA	
$I_{CC}(\text{AV})$	Avg. Power Supply Current (V_{CC})		60	80	mA	
$I_{BB}(\text{AV})$	Avg. Power Supply Current (V_{BB})		.01	1	mA	
I_{IL}	Input Leakage			± 10	μA	$V_{SS} \leq V_{IN} \leq V_{CC}$
I_{CL}	Clock Leakage			± 10	μA	$V_{SS} \leq V_{CLOCK} \leq V_{DD}$
$I_{DL}^{[2]}$	Data Bus Leakage in Input Mode			-100 -2.0	μA mA	$V_{SS} \leq V_{IN} \leq V_{SS} + 0.8\text{V}$ $V_{SS} + 0.8\text{V} \leq V_{IN} \leq V_{CC}$
I_{FL}	Address and Data Bus Leakage During HOLD			+10 -100	μA	$V_{ADDR/DATA} = V_{CC}$ $V_{ADDR/DATA} = V_{SS} + 0.45\text{V}$

CAPACITANCE

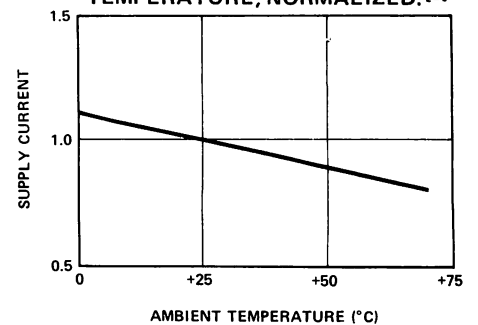
$T_A = 25^\circ\text{C}$ $V_{CC} = V_{DD} = V_{SS} = 0\text{V}$, $V_{BB} = -5\text{V}$

Symbol	Parameter	Typ.	Max.	Unit	Test Condition
C_ϕ	Clock Capacitance	17	25	pf	$f_c = 1\text{MHz}$
C_{IN}	Input Capacitance	6	10	pf	Unmeasured Pins
C_{OUT}	Output Capacitance	10	20	pf	Returned to V_{SS}

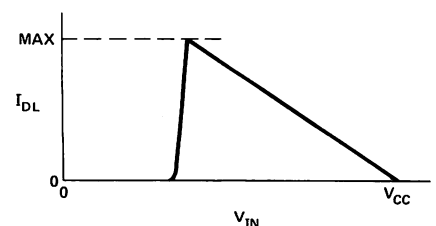
NOTES:

- The RESET signal must be active for a minimum of 3 clock cycles.
- When DBIN is high and $V_{IN} > V_{IH}$ an internal active pull up will be switched onto the Data Bus.
- $\Delta I_{\text{supply}} / \Delta T_A = -0.45\%/^\circ\text{C}$.

TYPICAL SUPPLY CURRENT VS. TEMPERATURE, NORMALIZED, [3]



DATA BUS CHARACTERISTIC DURING DBIN



SILICON GATE MOS 8080A-1

A.C. CHARACTERISTICS

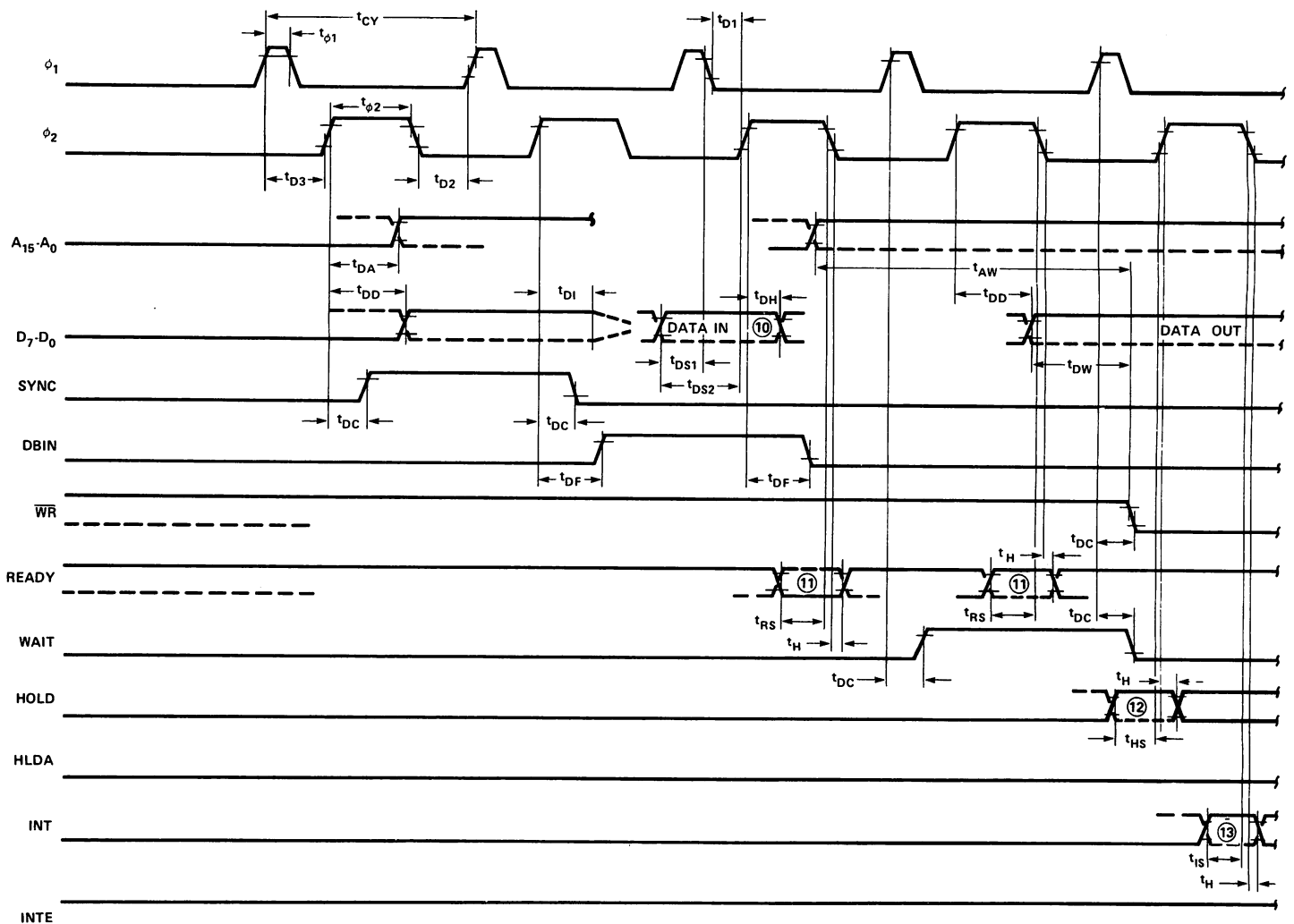
CAUTION: When operating the 8080A-1 at or near full speed, care must be taken to assure precise timing compatibility between 8080A-1, 8224 and 8228.

$T_A = 0^\circ\text{C}$ to 70°C , $V_{DD} = +12\text{V} \pm 5\%$, $V_{CC} = +5\text{V} \pm 5\%$, $V_{BB} = -5\text{V} \pm 5\%$, $V_{SS} = 0\text{V}$, Unless Otherwise Noted

Symbol	Parameter	Min.	Max.	Unit	Test Condition
$t_{CY}^{[3]}$	Clock Period	.32	2.0	μsec	$C_L = 50\text{pf}$ $C_L = 50\text{pf}$
t_r, t_f	Clock Rise and Fall Time	0	25	nsec	
$t_{\phi 1}$	ϕ_1 Pulse Width	50		nsec	
$t_{\phi 2}$	ϕ_2 Pulse Width	145		nsec	
t_{D1}	Delay ϕ_1 to ϕ_2	0		nsec	
t_{D2}	Delay ϕ_2 to ϕ_1	60		nsec	
t_{D3}	Delay ϕ_1 to ϕ_2 Leading Edges	60		nsec	
$t_{DA}^{[2]}$	Address Output Delay From ϕ_2		150	nsec	
$t_{DD}^{[2]}$	Data Output Delay From ϕ_2		180	nsec	
$t_{DC}^{[2]}$	Signal Output Delay From ϕ_1 , or ϕ_2 (SYNC, \overline{WR} , WAIT, HLDA)		110	nsec	
$t_{DF}^{[2]}$	DBIN Delay From ϕ_2	25	130	nsec	
$t_{D1}^{[1]}$	Delay for Input Bus to Enter Input Mode		t_{DF}	nsec	
t_{DS1}	Data Setup Time During ϕ_1 and DBIN	10		nsec	

TIMING WAVEFORMS ^[14]

(Note: Timing measurements are made at the following reference voltages: CLOCK "1" = 8.0V "0" = 1.0V; INPUTS "1" = 3.3V, "0" = 0.8V; OUTPUTS "1" = 2.0V, "0" = 0.8V.)



SILICON GATE MOS 8080A-1

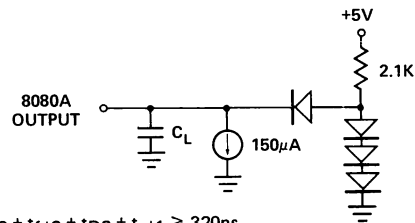
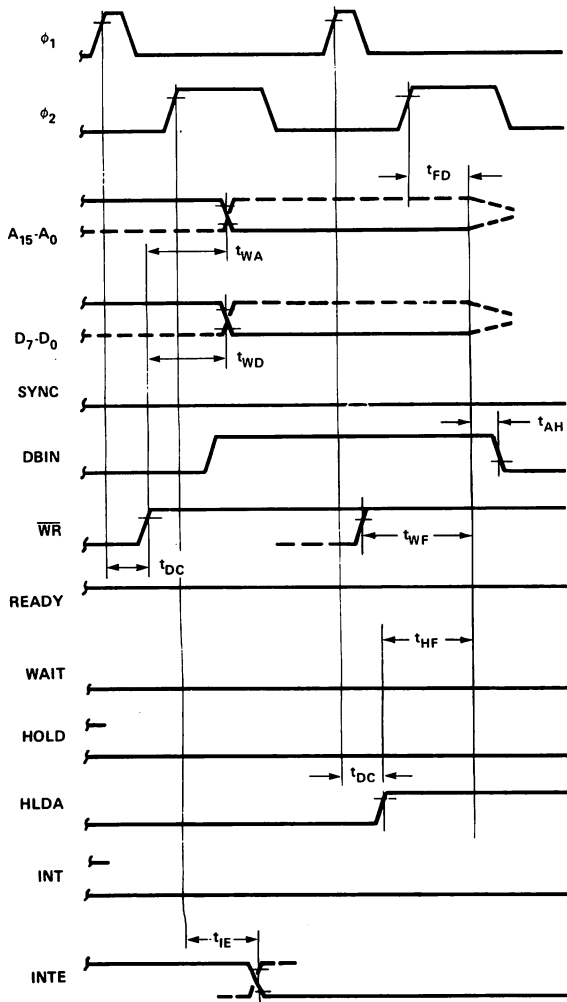
A.C. CHARACTERISTICS (Continued)

$T_A = 0^\circ\text{C}$ to 70°C , $V_{DD} = +12\text{V} \pm 5\%$, $V_{CC} = +5\text{V} \pm 5\%$, $V_{BB} = -5\text{V} \pm 5\%$, $V_{SS} = 0\text{V}$, Unless Otherwise Noted

Symbol	Parameter	Min.	Max.	Unit	Test Condition	
t_{DS2}	Data Setup Time to ϕ_2 During DBIN	120		nsec	$C_L = 50\text{pf}$	
$t_{DH}^{[1]}$	Data Hold Time From ϕ_2 During DBIN	[1]		nsec		
$t_{IE}^{[2]}$	INTE Output Delay From ϕ_2		200	nsec		
t_{RS}	READY Setup Time During ϕ_2	90		nsec		
t_{HS}	HOLD Setup Time to ϕ_2	120		nsec		
t_{IS}	INT Setup Time During ϕ_2 (During ϕ_1 in Halt Mode)	100		nsec		
t_H	Hold Time From ϕ_2 (READY, INT, HOLD)	0		nsec		
t_{FD}	Delay to Float During Hold (Address and Data Bus)		120	nsec		
$t_{AW}^{[2]}$	Address Stable Prior to \overline{WR}	[5]		nsec		$C_L = 50\text{pf}$: Address, Data $C_L = 50\text{pf}$: \overline{WR} , HLDA, DBIN
$t_{DW}^{[2]}$	Output Data Stable Prior to \overline{WR}	[6]		nsec		
$t_{WD}^{[2]}$	Output Data Stable From \overline{WR}	[7]		nsec		
$t_{WA}^{[2]}$	Address Stable From \overline{WR}	[7]		nsec		
$t_{HF}^{[2]}$	HLDA to Float Delay	[8]		nsec		
$t_{WF}^{[2]}$	\overline{WR} to Float Delay	[9]		nsec		
$t_{AH}^{[2]}$	Address Hold Time After DBIN During HLDA	-20		nsec		

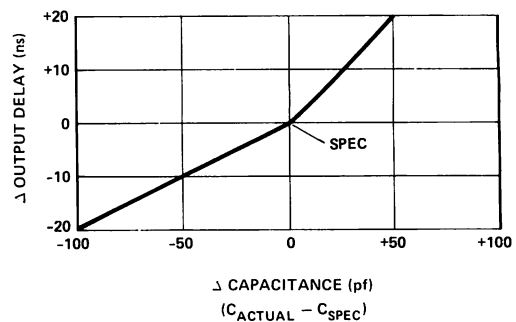
NOTES:

- Data input should be enabled with DBIN status. No bus conflict can then occur and data hold time is assured.
 $t_{DH} = 50\text{ns}$ or t_{DF} , whichever is less.
- Load Circuit.



- $t_{CY} = t_{D3} + t_{r\phi 2} + t_{\phi 2} + t_{f\phi 2} + t_{D2} + t_{r\phi 1} \geq 320\text{ns}$.

TYPICAL Δ OUTPUT DELAY VS. Δ CAPACITANCE



- The following are relevant when interfacing the 8080A to devices having $V_{IH} = 3.3\text{V}$:
 - Maximum output rise time from $.8\text{V}$ to $3.3\text{V} = 100\text{ns}$ @ $C_L = \text{SPEC}$.
 - Output delay when measured to $3.0\text{V} = \text{SPEC} + 60\text{ns}$ @ $C_L = \text{SPEC}$.
 - If $C_L \neq \text{SPEC}$, add $.6\text{ns/pF}$ if $C_L > C_{\text{SPEC}}$, subtract $.3\text{ns/pF}$ (from modified delay) if $C_L < C_{\text{SPEC}}$.
- $t_{AW} = 2 t_{CY} - t_{D3} - t_{r\phi 2} - 110\text{nsec}$.
- $t_{DW} = t_{CY} - t_{D3} - t_{r\phi 2} - 150\text{nsec}$.
- If not HLDA, $t_{WD} = t_{WA} = t_{D3} + t_{r\phi 2} + 10\text{ns}$. If HLDA, $t_{WD} = t_{WA} = t_{WF}$.
- $t_{HF} = t_{D3} + t_{r\phi 2} - 50\text{ns}$.
- $t_{WF} = t_{D3} + t_{r\phi 2} - 10\text{ns}$.
- Data in must be stable for this period during DBIN T_3 . Both t_{DS1} and t_{DS2} must be satisfied.
- Ready signal must be stable for this period during T_2 or T_W . (Must be externally synchronized.)
- Hold signal must be stable for this period during T_2 or T_W when entering hold mode, and during T_3 , T_4 , T_5 and T_{WH} when in hold mode. (External synchronization is not required.)
- Interrupt signal must be stable during this period of the last clock cycle of any instruction in order to be recognized on the following instruction. (External synchronization is not required.)
- This timing diagram shows timing relationships only; it does not represent any specific machine cycle.



Silicon Gate MOS 8080A-2

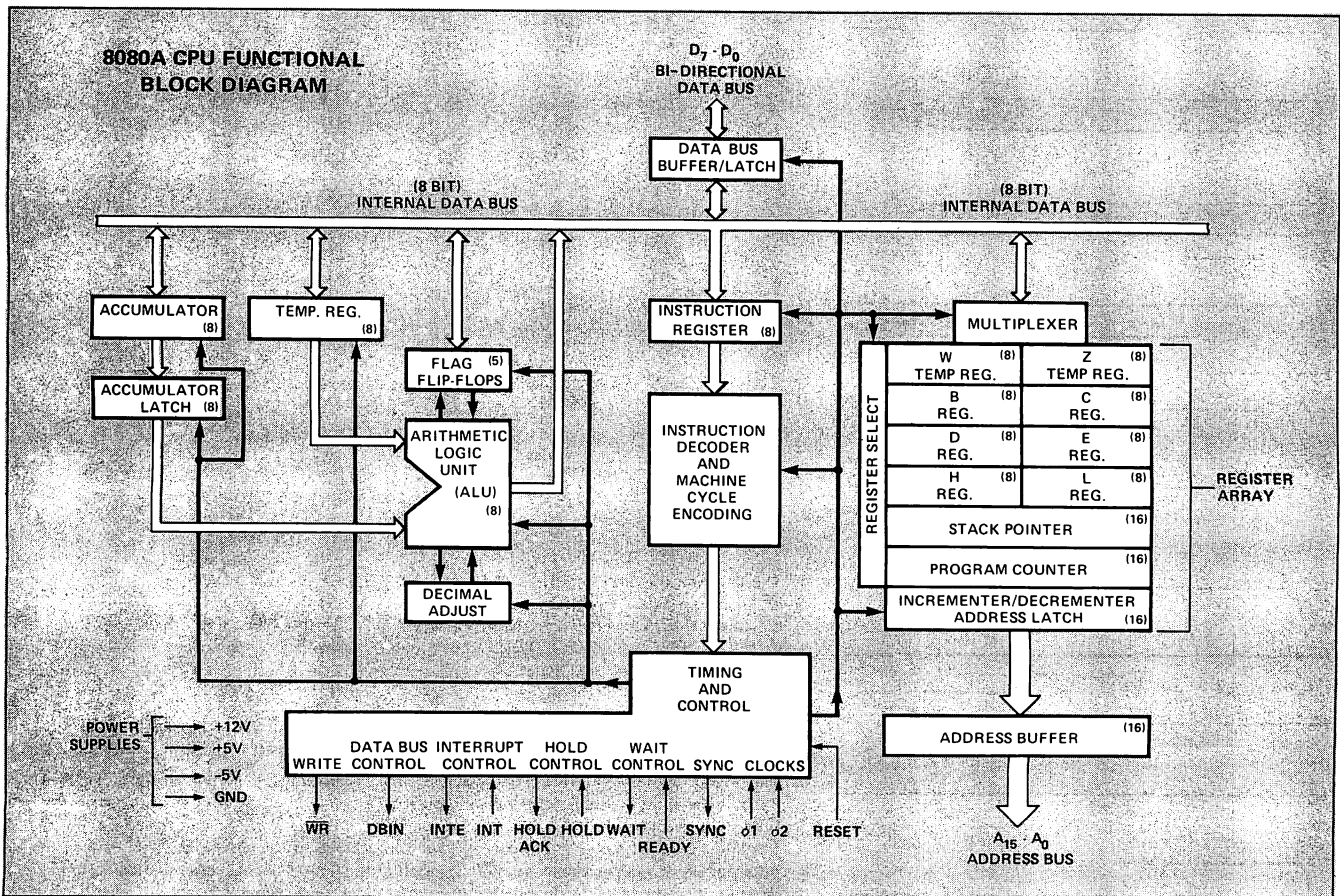
SINGLE CHIP 8-BIT N-CANNEL MICROPROCESSOR

- TTL Drive Capability
- 1.5 μ s Instruction Cycle
- Powerful Problem Solving Instruction Set
- Six General Purpose Registers and an Accumulator
- Sixteen Bit Program Counter for Directly Addressing up to 64K Bytes of Memory
- Sixteen Bit Stack Pointer and Stack Manipulation Instructions for Rapid Switching of the Program Environment
- Decimal, Binary and Double Precision Arithmetic
- Ability to Provide Priority Vectored Interrupts
- 512 Directly Addressed I/O Ports

The Intel® 8080A is a complete 8-bit parallel central processing unit (CPU). It is fabricated on a single LSI chip using Intel's n-channel silicon gate MOS process. This offers the user a high performance solution to control and processing applications. The 8080A contains six 8-bit general purpose working registers and an accumulator. The six general purpose registers may be addressed individually or in pairs providing both single and double precision operators. Arithmetic and logical instructions set or reset four testable flags. A fifth flag provides decimal arithmetic operation.

The 8080A has an external stack feature wherein any portion of memory may be used as a last in/first out stack to store/retrieve the contents of the accumulator, flags, program counter and all of the six general purpose registers. The sixteen bit stack pointer controls the addressing of this external stack. This stack gives the 8080A the ability to easily handle multiple level priority interrupts by rapidly storing and restoring processor status. It also provides almost unlimited subroutine nesting.

This microprocessor has been designed to simplify systems design. Separate 16-line address and 8-line bi-directional data busses are used to facilitate easy interface to memory and I/O. Signals to control the interface to memory and I/O are provided directly by the 8080A. Ultimate control of the address and data busses resides with the HOLD signal. It provides the ability to suspend processor operation and force the address and data busses into a high impedance state. This permits OR-tying these busses with other controlling devices for (DMA) direct memory access or multi-processor operation.



SILICON GATE MOS 8080A-2

ABSOLUTE MAXIMUM RATINGS*

Temperature Under Bias	0°C to +70°C
Storage Temperature	-65°C to +150°C
All Input or Output Voltages	
With Respect to V _{BB}	-0.3V to +20V
V _{CC} , V _{DD} and V _{SS} With Respect to V _{BB}	-0.3V to +20V
Power Dissipation	1.5W

**COMMENT: Stresses above those listed under "Absolute Maximum Ratings" may cause permanent damage to the device. This is a stress rating only and functional operation of the device at these or any other conditions above those indicated in the operational sections of this specification is not implied. Exposure to absolute maximum rating conditions for extended periods may affect device reliability.*

D.C. CHARACTERISTICS

T_A = 0°C to 70°C, V_{DD} = +12V ± 5%, V_{CC} = +5V ± 5%, V_{BB} = -5V ± 5%, V_{SS} = 0V, Unless Otherwise Noted.

Symbol	Parameter	Min.	Typ.	Max.	Unit	Test Condition
V _{ILC}	Clock Input Low Voltage	V _{SS} -1		V _{SS} +0.8	V	I _{OL} = 1.9mA on all outputs, I _{OH} = 150μA. Operation T _{CY} = .38μsec V _{SS} ≤ V _{IN} ≤ V _{CC} V _{SS} ≤ V _{CLOCK} ≤ V _{DD} V _{SS} ≤ V _{IN} ≤ V _{SS} + 0.8V V _{SS} + 0.8V ≤ V _{IN} ≤ V _{CC} V _{ADDR/DATA} = V _{CC} V _{ADDR/DATA} = V _{SS} + 0.45V
V _{IHC}	Clock Input High Voltage	9.0		V _{DD} +1	V	
V _{IL}	Input Low Voltage	V _{SS} -1		V _{SS} +0.8	V	
V _{IH}	Input High Voltage	3.3		V _{CC} +1	V	
V _{OL}	Output Low Voltage			0.45	V	
V _{OH}	Output High Voltage	3.7			V	
I _{DD} (AV)	Avg. Power Supply Current (V _{DD})		40	70	mA	
I _{CC} (AV)	Avg. Power Supply Current (V _{CC})		60	80	mA	
I _{BB} (AV)	Avg. Power Supply Current (V _{BB})		.01	1	mA	
I _{IL}	Input Leakage			±10	μA	
I _{CL}	Clock Leakage			±10	μA	
I _{DL} [2]	Data Bus Leakage in Input Mode			-100 -2.0	μA mA	
I _{FL}	Address and Data Bus Leakage During HOLD			+10 -100	μA	

CAPACITANCE

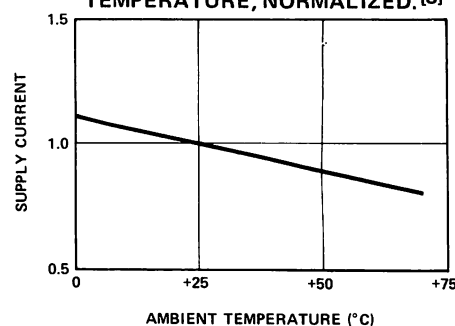
T_A = 25°C V_{CC} = V_{DD} = V_{SS} = 0V, V_{BB} = -5V

Symbol	Parameter	Typ.	Max.	Unit	Test Condition
C _φ	Clock Capacitance	17	25	pf	f _c = 1 MHz
C _{IN}	Input Capacitance	6	10	pf	Unmeasured Pins
C _{OUT}	Output Capacitance	10	20	pf	Returned to V _{SS}

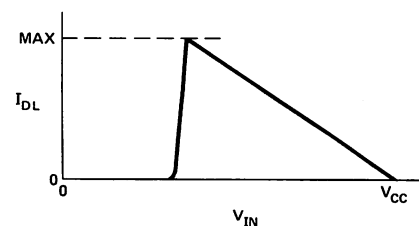
NOTES:

1. The RESET signal must be active for a minimum of 3 clock cycles.
2. When DBIN is high and V_{IN} > V_{IH} an internal active pull up will be switched onto the Data Bus.
3. ΔI supply / ΔT_A = -0.45%/°C.

TYPICAL SUPPLY CURRENT VS. TEMPERATURE, NORMALIZED. [3]



DATA BUS CHARACTERISTIC DURING DBIN



SILICON GATE MOS 8080A-2

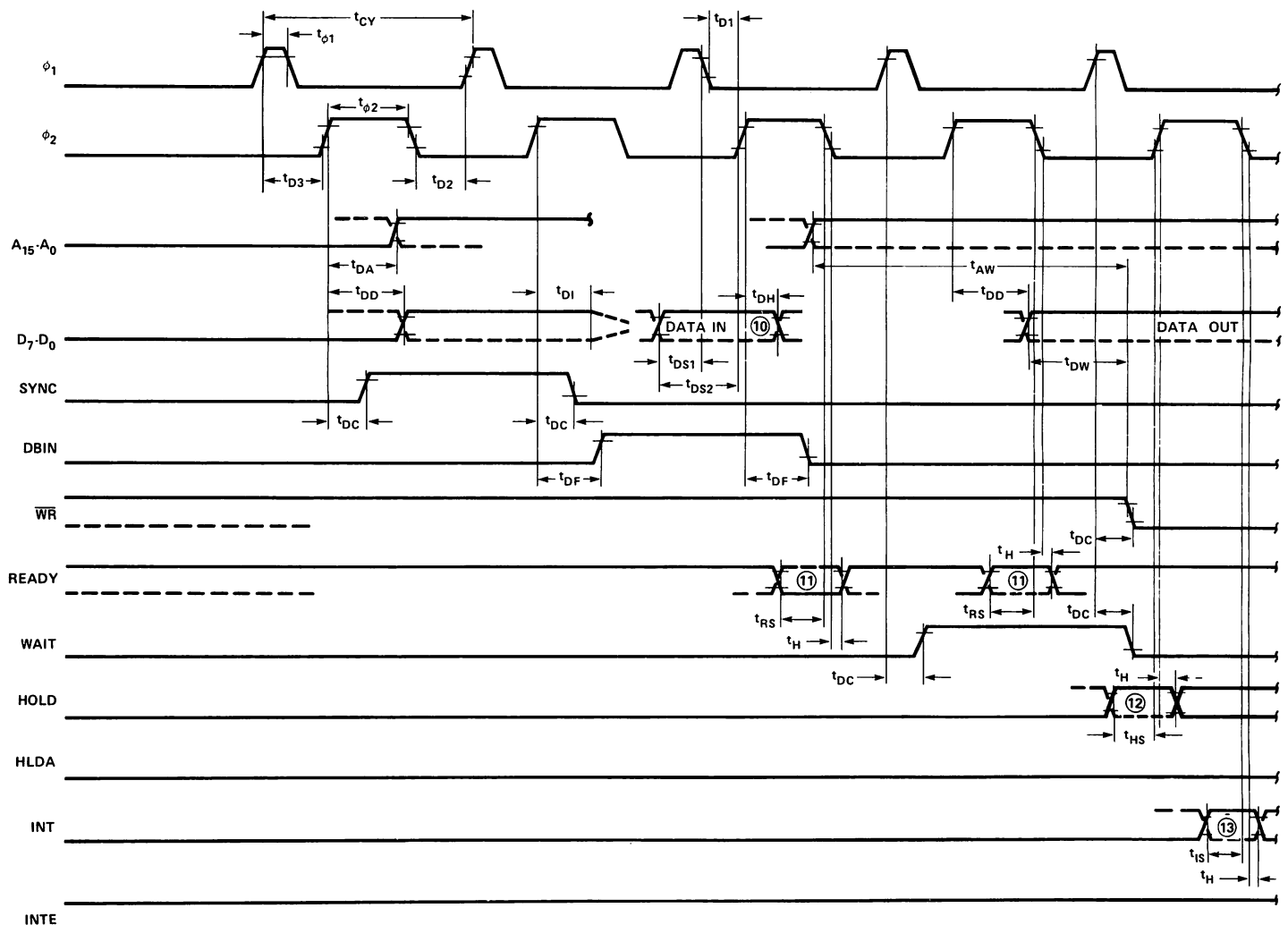
A.C. CHARACTERISTICS

$T_A = 0^\circ\text{C}$ to 70°C , $V_{DD} = +12\text{V} \pm 5\%$, $V_{CC} = +5\text{V} \pm 5\%$, $V_{BB} = -5\text{V} \pm 5\%$, $V_{SS} = 0\text{V}$, Unless Otherwise Noted

Symbol	Parameter	Min.	Max.	Unit	Test Condition
$t_{CY}^{[3]}$	Clock Period	.38	2.0	μsec	
t_r, t_f	Clock Rise and Fall Time	0	50	n sec	
$t_{\phi 1}$	ϕ_1 Pulse Width	60		n sec	
$t_{\phi 2}$	ϕ_2 Pulse Width	175		n sec	
t_{D1}	Delay ϕ_1 to ϕ_2	0		n sec	
t_{D2}	Delay ϕ_2 to ϕ_1	70		n sec	
t_{D3}	Delay ϕ_1 to ϕ_2 Leading Edges	70		n sec	
$t_{DA}^{[2]}$	Address Output Delay From ϕ_2		175	n sec	$C_L = 100\text{pf}$
$t_{DD}^{[2]}$	Data Output Delay From ϕ_2		200	n sec	
$t_{DC}^{[2]}$	Signal Output Delay From ϕ_1 , or ϕ_2 (SYNC, $\overline{\text{WR}}$, WAIT, HLDA)		120	n sec	$C_L = 50\text{pf}$
$t_{DF}^{[2]}$	DBIN Delay From ϕ_2	25	140	n sec	
$t_{DI}^{[1]}$	Delay for Input Bus to Enter Input Mode		t_{DF}	n sec	
t_{DS1}	Data Setup Time During ϕ_1 and DBIN	20		n sec	

TIMING WAVEFORMS ^[14]

(Note: Timing measurements are made at the following reference voltages: CLOCK "1" = 8.0V "0" = 1.0V; INPUTS "1" = 3.3V, "0" = 0.8V; OUTPUTS "1" = 2.0V, "0" = 0.8V.)



SILICON GATE MOS 8080A-2

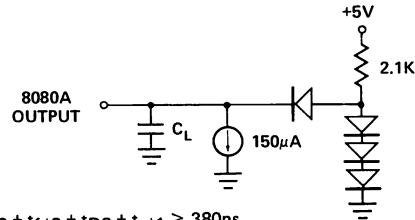
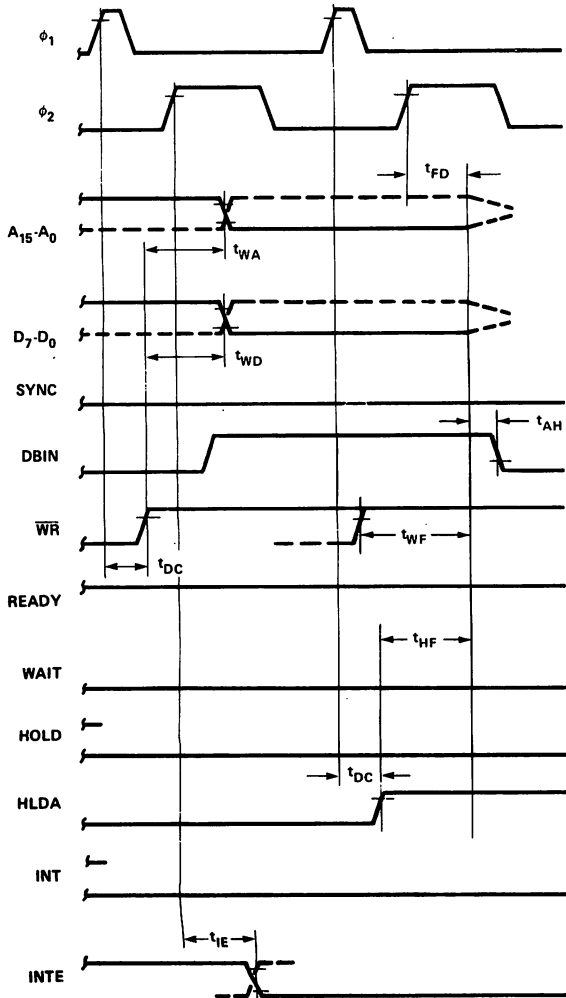
A.C. CHARACTERISTICS (Continued)

$T_A = 0^\circ\text{C}$ to 70°C , $V_{DD} = +12\text{V} \pm 5\%$, $V_{CC} = +5\text{V} \pm 5\%$, $V_{BB} = -5\text{V} \pm 5\%$, $V_{SS} = 0\text{V}$, Unless Otherwise Noted

Symbol	Parameter	Min.	Max.	Unit	Test Condition	
t_{DS2}	Data Setup Time to ϕ_2 During DBIN	130		nsec	$C_L = 50\text{pf}$	
$t_{DH}^{[1]}$	Data Hold Time From ϕ_2 During DBIN	[1]		nsec		
$t_{IE}^{[2]}$	INTE Output Delay From ϕ_2		200	nsec		
t_{RS}	READY Setup Time During ϕ_2	90		nsec		
t_{HS}	HOLD Setup Time to ϕ_2	120		nsec		
t_{IS}	INT Setup Time During ϕ_2 (During ϕ_1 in Halt Mode)	100		nsec		
t_H	Hold Time From ϕ_2 (READY, INT, HOLD)	0		nsec		
t_{FD}	Delay to Float During Hold (Address and Data Bus)		120	nsec		
$t_{AW}^{[2]}$	Address Stable Prior to \overline{WR}	[5]		nsec		$C_L = 100\text{pf}$: Address, Data $C_L = 50\text{pf}$: \overline{WR} , HLDA, DBIN
$t_{DW}^{[2]}$	Output Data Stable Prior to \overline{WR}	[6]		nsec		
$t_{WD}^{[2]}$	Output Data Stable From \overline{WR}	[7]		nsec		
$t_{WA}^{[2]}$	Address Stable From \overline{WR}	[7]		nsec		
$t_{HF}^{[2]}$	HLDA to Float Delay	[8]		nsec		
$t_{WF}^{[2]}$	\overline{WR} to Float Delay	[9]		nsec		
$t_{AH}^{[2]}$	Address Hold Time After DBIN During HLDA	-20		nsec		

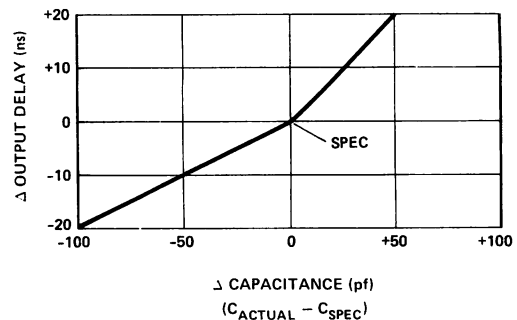
NOTES:

- Data input should be enabled with DBIN status. No bus conflict can then occur and data hold time is assured. $t_{DH} = 50\text{ns}$ or t_{DF} , whichever is less.
- Load Circuit.



$$3. t_{CY} = t_{D3} + t_{r\phi 2} + t_{\phi 2} + t_{f\phi 2} + t_{D2} + t_{r\phi 1} \geq 380\text{ns.}$$

TYPICAL Δ OUTPUT DELAY VS. Δ CAPACITANCE



- The following are relevant when interfacing the 8080A to devices having $V_{IH} = 3.3\text{V}$:
 - Maximum output rise time from .8V to 3.3V = 100ns @ $C_L = \text{SPEC}$.
 - Output delay when measured to 3.0V = SPEC + 60ns @ $C_L = \text{SPEC}$.
 - If $C_L \neq \text{SPEC}$, add .6ns/pF if $C_L > C_{\text{SPEC}}$, subtract .3ns/pF (from modified delay) if $C_L < C_{\text{SPEC}}$.
- $t_{AW} = 2 t_{CY} - t_{D3} - t_{r\phi 2} - 130\text{nsec.}$
- $t_{DW} = t_{CY} - t_{D3} - t_{r\phi 2} - 170\text{nsec.}$
- If not HLDA, $t_{WD} = t_{WA} = t_{D3} + t_{r\phi 2} + 10\text{ns}$. If HLDA, $t_{WD} = t_{WA} = t_{WF}$.
- $t_{HF} = t_{D3} + t_{r\phi 2} - 50\text{ns}$.
- $t_{WF} = t_{D3} + t_{r\phi 2} - 10\text{ns}$
- Data in must be stable for this period during DBIN $\cdot T_3$. Both t_{DS1} and t_{DS2} must be satisfied.
- Ready signal must be stable for this period during T_2 or T_{WH} . (Must be externally synchronized.)
- Hold signal must be stable for this period during T_2 or T_{WH} when entering hold mode, and during T_3 , T_4 , T_5 and T_{WH} when in hold mode. (External synchronization is not required.)
- Interrupt signal must be stable during this period of the last clock cycle of any instruction in order to be recognized on the following instruction. (External synchronization is not required.)
- This timing diagram shows timing relationships only; it does not represent any specific machine cycle.

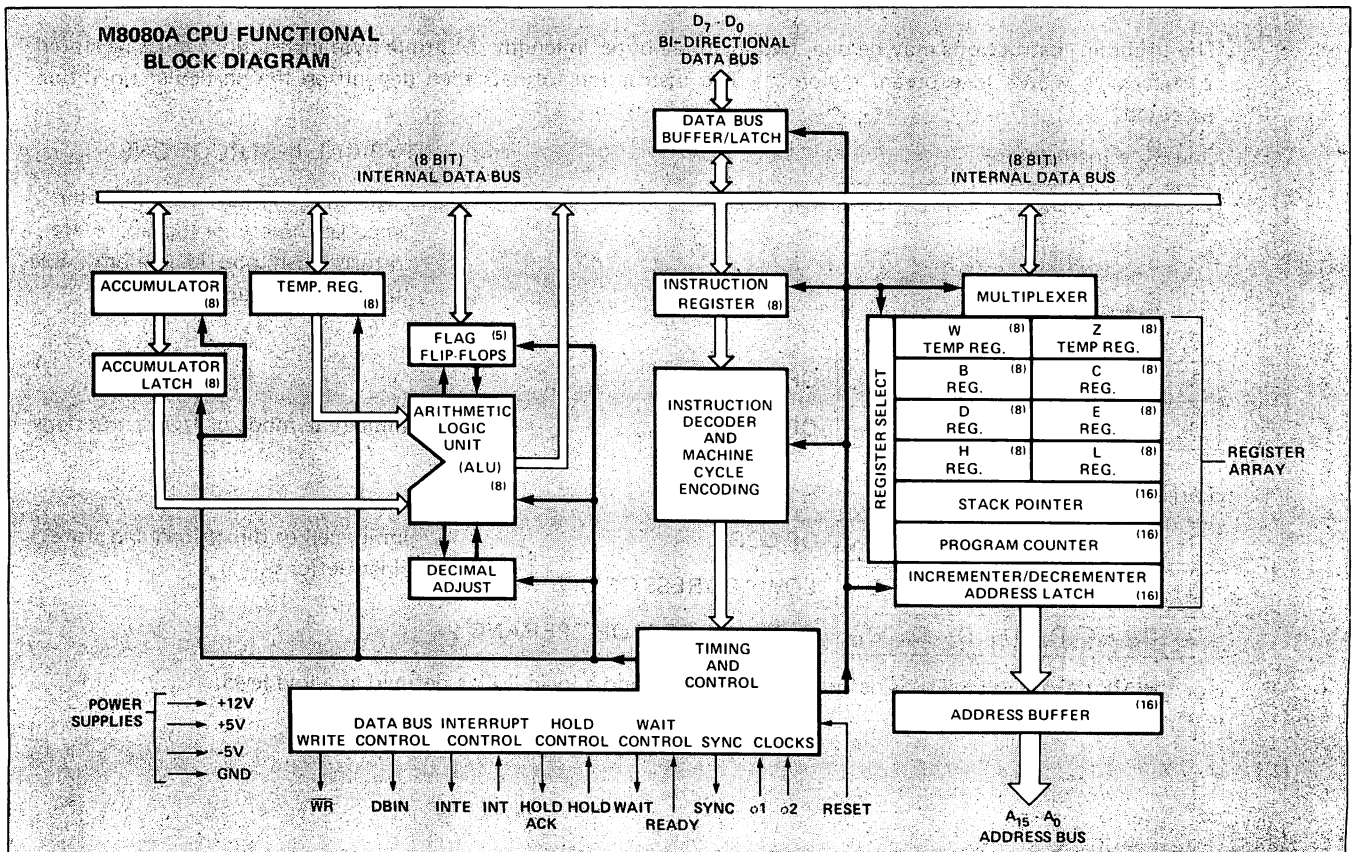


Silicon Gate MOS M8080A

SINGLE CHIP 8-BIT N-CANNEL MICROPROCESSOR

- Full Military Temperature Range
-55°C to +125°C
- ±10% Power Supply Tolerance
- 2 μs Instruction Cycle
- Powerful Problem Solving Instruction Set
- Six General Purpose Registers and an Accumulator
- Sixteen Bit Program Counter for Directly Addressing up to 64K Bytes of Memory
- Sixteen Bit Stack Pointer and Stack Manipulation Instructions for Rapid Switching of the Program Environment
- Decimal, Binary and Double Precision Arithmetic
- Ability to Provide Priority Vectored Interrupts
- 512 Directly Addressed I/O Ports
- TTL Drive Capability

The Intel® M8080A is a complete 8-bit parallel central processing unit (CPU). It is fabricated on a single LSI chip using Intel's n-channel silicon gate MOS process. This offers the user a high performance solution to control and processing applications. The M8080A contains six 8-bit general purpose working registers and an accumulator. The six general purpose registers may be addressed individually or in pairs providing both single and double precision operators. Arithmetic and logical instructions set or reset four testable flags. A fifth flag provides decimal arithmetic operation. The M8080A has an external stack feature wherein any portion of memory may be used as a last in/first out stack to store/retrieve the contents of the accumulator, flags, program counter and all of the six general purpose registers. The sixteen bit stack pointer controls the addressing of this external stack. This stack gives the M8080A the ability to easily handle multiple level priority interrupts by rapidly storing and restoring processor status. It also provides almost unlimited subroutine nesting. This microprocessor has been designed to simplify systems design. Separate 16-line address and 8-line bi-directional data busses are used to facilitate easy interface to memory and I/O. Signals to control the interface to memory and I/O are provided directly by the M8080A. Ultimate control of the address and data busses resides with the HOLD signal. It provides the ability to suspend processor operation and force the address and data busses into a high impedance state. This permits OR'ing these busses with other controlling devices for (DMA) direct memory access or multi-processor operation.



INSTRUCTION SET

The accumulator group instructions include arithmetic and logical operators with direct, indirect, and immediate addressing modes.

Move, load, and store instruction groups provide the ability to move either 8 or 16 bits of data between memory, the six working registers and the accumulator using direct, indirect, and immediate addressing modes.

The ability to branch to different portions of the program is provided with jump, jump conditional, and computed jumps. Also the ability to call to and return from sub-routines is provided both conditionally and unconditionally. The RESTART (or single byte call instruction) is useful for interrupt vector operation.

Double precision operators such as stack manipulation and double add instructions extend both the arithmetic and interrupt handling capability of the M8080A. The ability to

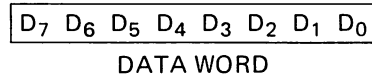
increment and decrement memory, the six general registers and the accumulator is provided as well as extended increment and decrement instructions to operate on the register pairs and stack pointer. Further capability is provided by the ability to rotate the accumulator left or right through or around the carry bit.

Input and output may be accomplished using memory addresses as I/O ports or the directly addressed I/O provided for in the M8080A instruction set.

The following special instruction group completes the M8080A instruction set: the NOP instruction, HALT to stop processor execution and the DAA instructions provide decimal arithmetic capability. STC allows the carry flag to be directly set, and the CMC instruction allows it to be complemented. CMA complements the contents of the accumulator and XCHG exchanges the contents of two 16-bit register pairs directly.

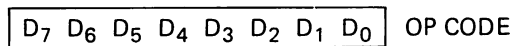
Data and Instruction Formats

Data in the M8080A is stored in the form of 8-bit binary integers. All data transfers to the system data bus will be in the same format.

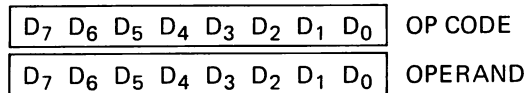


The program instructions may be one, two, or three bytes in length. Multiple byte instructions must be stored in successive words in program memory. The instruction formats then depend on the particular operation executed.

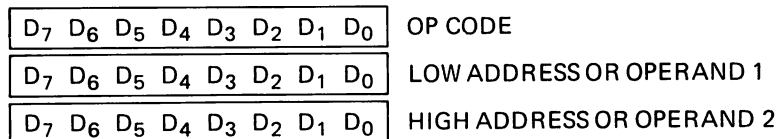
One Byte Instructions



Two Byte Instructions



Three Byte Instructions



TYPICAL INSTRUCTIONS

Register to register, memory reference, arithmetic or logical, rotate, return, push, pop, enable or disable
Interrupt instructions

Immediate mode or I/O instructions

Jump, call or direct load and store instructions

For the M8080A a logic "1" is defined as a high level and a logic "0" is defined as a low level.

SILICON GATE MOS M8080A

INSTRUCTION SET

Summary of Processor Instructions

Mnemonic	Description	Instruction Code ⁽¹⁾								Clock ⁽²⁾ Cycles
		D ₇	D ₆	D ₅	D ₄	D ₃	D ₂	D ₁	D ₀	
MOV _{r1,r2}	Move register to register	0	1	D	D	D	S	S	S	5
MOV _{M,r}	Move register to memory	0	1	1	1	0	S	S	S	7
MOV _{r,M}	Move memory to register	0	1	D	D	D	1	1	0	7
HLT	Halt	0	1	1	1	0	1	1	0	7
MVI _r	Move immediate register	0	0	D	D	D	1	1	0	7
MVI _M	Move immediate memory	0	0	1	1	0	1	1	0	10
INR _r	Increment register	0	0	D	D	D	1	0	0	5
DCR _r	Decrement register	0	0	D	D	D	1	0	1	5
INR _M	Increment memory	0	0	1	1	0	1	0	0	10
DCR _M	Decrement memory	0	0	1	1	0	1	0	1	10
ADD _r	Add register to A	1	0	0	0	0	S	S	S	4
ADC _r	Add register to A with carry	1	0	0	0	1	S	S	S	4
SUB _r	Subtract register from A	1	0	0	1	0	S	S	S	4
SBB _r	Subtract register from A with borrow	1	0	0	1	1	S	S	S	4
ANA _r	And register with A	1	0	1	0	0	S	S	S	4
XRA _r	Exclusive Or register with A	1	0	1	0	1	S	S	S	4
ORA _r	Or register with A	1	0	1	1	0	S	S	S	4
CMP _r	Compare register with A	1	0	1	1	1	S	S	S	4
ADD _M	Add memory to A	1	0	0	0	0	1	1	0	7
ADC _M	Add memory to A with carry	1	0	0	0	1	1	1	0	7
SUB _M	Subtract memory from A	1	0	0	1	0	1	1	0	7
SBB _M	Subtract memory from A with borrow	1	0	0	1	1	1	1	0	7
ANA _M	And memory with A	1	0	1	0	0	1	1	0	7
XRA _M	Exclusive Or memory with A	1	0	1	0	1	1	1	0	7
ORA _M	Or memory with A	1	0	1	1	0	1	1	0	7
CMP _M	Compare memory with A	1	0	1	1	1	1	1	0	7
ADI	Add immediate to A	1	1	0	0	0	1	1	0	7
ACI	Add immediate to A with carry	1	1	0	0	1	1	1	0	7
SUI	Subtract immediate from A	1	1	0	1	0	1	1	0	7
SBI	Subtract immediate from A with borrow	1	1	0	1	1	1	1	0	7
ANI	And immediate with A	1	1	1	0	0	1	1	0	7
XRI	Exclusive Or immediate with A	1	1	1	0	1	1	1	0	7
ORI	Or immediate with A	1	1	1	1	0	1	1	0	7
CPI	Compare immediate with A	1	1	1	1	1	1	1	0	7
RLC	Rotate A left	0	0	0	0	0	1	1	1	4
RRC	Rotate A right	0	0	0	0	1	1	1	1	4
RAL	Rotate A left through carry	0	0	0	1	0	1	1	1	4
RAR	Rotate A right through carry	0	0	0	1	1	1	1	1	4
JMP	Jump unconditional	1	1	0	0	0	0	1	1	10
JC	Jump on carry	1	1	0	1	1	0	1	0	10
JNC	Jump on no carry	1	1	0	1	0	0	1	0	10
JZ	Jump on zero	1	1	0	0	1	0	1	0	10
JNZ	Jump on no zero	1	1	0	0	0	0	1	0	10
JP	Jump on positive	1	1	1	1	0	0	1	0	10
JM	Jump on minus	1	1	1	1	1	0	1	0	10
JPE	Jump on parity even	1	1	1	0	1	0	1	0	10
JPO	Jump on parity odd	1	1	1	0	0	0	1	0	10
CALL	Call unconditional	1	1	0	0	1	1	0	1	17
CC	Call on carry	1	1	0	1	1	1	0	0	11/17
CNC	Call on no carry	1	1	0	1	0	1	0	0	11/17
CZ	Call on zero	1	1	0	0	1	1	0	0	11/17
CNZ	Call on no zero	1	1	0	0	0	1	0	0	11/17
CP	Call on positive	1	1	1	1	0	1	0	0	11/17
CM	Call on minus	1	1	1	1	1	1	0	0	11/17
CPE	Call on parity even	1	1	1	0	1	1	0	0	11/17
CPO	Call on parity odd	1	1	1	0	0	1	0	0	11/17
RET	Return	1	1	0	0	1	0	0	1	10
RC	Return on carry	1	1	0	1	1	0	0	0	5/11
RNC	Return on no carry	1	1	0	1	0	0	0	0	5/11

Mnemonic	Description	Instruction Code ⁽¹⁾								Clock ⁽²⁾ Cycles
		D ₇	D ₆	D ₅	D ₄	D ₃	D ₂	D ₁	D ₀	
RZ	Return on zero	1	1	0	0	1	0	0	0	5/11
RNZ	Return on no zero	1	1	0	0	0	0	C	0	5/11
RP	Return on positive	1	1	1	1	0	0	0	0	5/11
RM	Return on minus	1	1	1	1	1	0	0	0	5/11
RPE	Return on parity even	1	1	1	0	1	0	0	0	5/11
RPO	Return on parity odd	1	1	1	0	0	0	0	0	5/11
RST	Restart	1	1	A	A	A	1	1	1	11
IN	Input	1	1	0	1	1	0	1	1	10
OUT	Output	1	1	0	1	0	0	1	1	10
LXI _B	Load immediate register Pair B & C	0	0	0	0	0	0	0	1	10
LXI _D	Load immediate register Pair D & E	0	0	0	1	0	0	0	1	10
LXI _H	Load immediate register Pair H & L	0	0	1	0	0	0	0	1	10
LXI _{SP}	Load immediate stack pointer	0	0	1	1	0	0	0	1	10
PUSH _B	Push register Pair B & C on stack	1	1	0	0	0	1	0	1	11
PUSH _D	Push register Pair D & E on stack	1	1	0	1	0	1	0	1	11
PUSH _H	Push register Pair H & L on stack	1	1	1	0	0	1	0	1	11
PUSH _{PSW}	Push A and Flags on stack	1	1	1	1	0	1	0	1	11
POP _B	Pop register pair B & C off stack	1	1	0	0	0	0	0	1	10
POP _D	Pop register pair D & E off stack	1	1	0	1	0	0	0	1	10
POP _H	Pop register pair H & L off stack	1	1	1	0	0	0	0	1	10
POP _{PSW}	Pop A and Flags off stack	1	1	1	1	0	0	0	1	10
STA	Store A direct	0	0	1	1	0	0	1	0	13
LDA	Load A direct	0	0	1	1	1	0	1	0	13
XCHG	Exchange D & E, H & L Registers	1	1	1	0	1	0	1	1	4
XTHL	Exchange top of stack, H & L	1	1	1	0	0	0	1	1	18
SPHL	H & L to stack pointer	1	1	1	1	1	0	0	1	5
PCHL	H & L to program counter	1	1	1	0	1	0	0	1	5
DAD _B	Add B & C to H & L	0	0	0	0	1	0	0	1	10
DAD _D	Add D & E to H & L	0	0	0	1	1	0	0	1	10
DAD _H	Add H & L to H & L	0	0	1	0	1	0	0	1	10
DAD _{SP}	Add stack pointer to H & L	0	0	1	1	1	0	0	1	10
STAX _B	Store A indirect	0	0	0	0	0	0	1	0	7
STAX _D	Store A indirect	0	0	0	1	0	0	1	0	7
LDAX _B	Load A indirect	0	0	0	0	1	0	1	0	7
LDAX _D	Load A indirect	0	0	0	1	1	0	1	0	7
INX _B	Increment B & C registers	0	0	0	0	0	0	1	1	5
INX _D	Increment D & E registers	0	0	0	1	0	0	1	1	5
INX _H	Increment H & L registers	0	0	1	0	0	0	1	1	5
INX _{SP}	Increment stack pointer	0	0	1	1	0	0	1	1	5
DCX _B	Decrement B & C	0	0	0	0	1	0	1	1	5
DCX _D	Decrement D & E	0	0	0	1	1	0	1	1	5
DCX _H	Decrement H & L	0	0	1	0	1	0	1	1	5
DCX _{SP}	Decrement stack pointer	0	0	1	1	1	0	1	1	5
CMA	Complement A	0	0	1	0	1	1	1	1	4
STC	Set carry	0	0	1	1	0	1	1	1	4
CMC	Complement carry	0	0	1	1	1	1	1	1	4
DAA	Decimal adjust A	0	0	1	0	0	1	1	1	4
SHLD	Store H & L direct	0	0	1	0	0	0	1	0	16
LHLD	Load H & L direct	0	0	1	0	1	0	1	0	16
EI	Enable Interrupts	1	1	1	1	1	0	1	1	4
DI	Disable interrupt	1	1	1	1	0	0	1	1	4
NOP	No-operation	0	0	0	0	0	0	0	0	4

NOTES: 1. DDD or SSS – 000 B – 001 C – 010 D – 011 E – 100 H – 101 L – 110 Memory – 111 A.
 2. Two possible cycle times, (5/11) indicate instruction cycles dependent on condition flags.

SILICON GATE MOS M8080A

M8080A FUNCTIONAL PIN DEFINITION

The following describes the function of all of the M8080A I/O pins. Several of the descriptions refer to internal timing periods.

A₁₅-A₀ (output three-state)

ADDRESS BUS; the address bus provides the address to memory (up to 64K 8-bit words) or denotes the I/O device number for up to 256 input and 256 output devices. A₀ is the least significant address bit.

D₇-D₀ (input/output three-state)

DATA BUS; the data bus provides bi-directional communication between the CPU, memory, and I/O devices for instructions and data transfers. Also, during the first clock cycle of each machine cycle, the M8080A outputs a status word on the data bus that describes the current machine cycle. D₀ is the least significant bit.

SYNC (output)

SYNCHRONIZING SIGNAL; the SYNC pin provides a signal to indicate the beginning of each machine cycle.

DBIN (output)

DATA BUS IN; the DBIN signal indicates to external circuits that the data bus is in the input mode. This signal should be used to enable the gating of data onto the M8080A data bus from memory or I/O.

READY (input)

READY; the READY signal indicates to the M8080A that valid memory or input data is available on the M8080A data bus. This signal is used to synchronize the CPU with slower memory or I/O devices. If after sending an address out the M8080A does not receive a READY input, the M8080A will enter a WAIT state for as long as the READY line is low. READY can also be used to single step the CPU.

WAIT (output)

WAIT; the WAIT signal acknowledges that the CPU is in a WAIT state.

\overline{WR} (output)

WRITE; the \overline{WR} signal is used for memory WRITE or I/O output control. The data on the data bus is stable while the \overline{WR} signal is active low ($\overline{WR} = 0$).

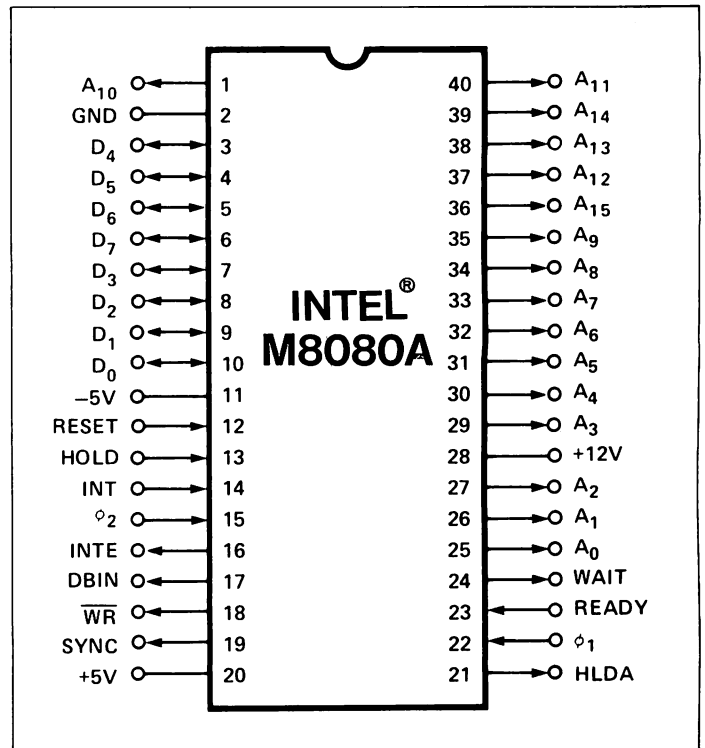
HOLD (input)

HOLD; the HOLD signal requests the CPU to enter the HOLD state. The HOLD state allows an external device to gain control of the M8080A address and data bus as soon as the M8080A has completed its use of these buses for the current machine cycle. It is recognized under the following conditions:

- the CPU is in the HALT state.
 - the CPU is in the T₂ or T_W state and the READY signal is active.
- As a result of entering the HOLD state the CPU ADDRESS BUS (A₁₅-A₀) and DATA BUS (D₇-D₀) will be in their high impedance state. The CPU acknowledges its state with the HOLD ACKNOWLEDGE (HLDA) pin.

HLDA (output)

HOLD ACKNOWLEDGE; the HLDA signal appears in response to the HOLD signal and indicates that the data and address bus



Pin Configuration

will go to the high impedance state. The HLDA signal begins at:

- T₃ for READ memory or input.
- The Clock Period following T₃ for WRITE memory or OUTPUT operation.

In either case, the HLDA signal appears after the rising edge of ϕ_1 and high impedance occurs after the rising edge of ϕ_2 .

INTE (output)

INTERRUPT ENABLE; indicates the content of the internal interrupt enable flip/flop. This flip/flop may be set or reset by the Enable and Disable Interrupt instructions and inhibits interrupts from being accepted by the CPU when it is reset. It is automatically reset (disabling further interrupts) at time T₁ of the instruction fetch cycle (M₁) when an interrupt is accepted and is also reset by the RESET signal.

INT (input)

INTERRUPT REQUEST; the CPU recognizes an interrupt request on this line at the end of the current instruction or while halted. If the CPU is in the HOLD state or if the Interrupt Enable flip/flop is reset it will not honor the request.

RESET (input) [1]

RESET; while the RESET signal is activated, the content of the program counter is cleared. After RESET, the program will start at location 0 in memory. The INTE and HLDA flip/flops are also reset. Note that the flags, accumulator, stack pointer, and registers are not cleared.

V_{SS} Ground Reference

V_{DD} +12 Volts $\pm 10\%$.

V_{CC} +5 Volts $\pm 10\%$.

V_{BB} -5 Volts $\pm 10\%$.

ϕ_1, ϕ_2 2 externally supplied clock phases. (non TTL compatible)

SILICON GATE MOS M8080A

ABSOLUTE MAXIMUM RATINGS*

Temperature Under Bias	-55°C to +125°C
Storage Temperature	-65°C to +150°C
All Input or Output Voltages	
With Respect to V_{BB}	-0.3V to +20V
V_{CC} , V_{DD} and V_{SS} With Respect to V_{BB}	-0.3V to +20V
Power Dissipation	1.7W

*COMMENT: Stresses above those listed under "Absolute Maximum Ratings" may cause permanent damage to the device. This is a stress rating only and functional operation of the device at these or any other conditions above those indicated in the operational sections of this specification is not implied. Exposure to absolute maximum rating conditions for extended periods may affect device reliability.

D.C. CHARACTERISTICS

$T_A = -55^\circ\text{C}$ to $+125^\circ\text{C}$, $V_{DD} = +12\text{V} \pm 10\%$, $V_{CC} = +5\text{V} \pm 10\%$, $V_{BB} = -5\text{V} \pm 10\%$, $V_{SS} = 0\text{V}$, Unless Otherwise Noted.

Symbol	Parameter	Min.	Typ.	Max.	Unit	Test Condition
V_{ILC}	Clock Input Low Voltage	$V_{SS}-1$		$V_{SS}+0.8$	V	
V_{IHC}	Clock Input High Voltage	8.5		$V_{DD}+1$	V	
V_{IL}	Input Low Voltage	$V_{SS}-1$		$V_{SS}+0.8$	V	
V_{IH}	Input High Voltage	3.0		$V_{CC}+1$	V	
V_{OL}	Output Low Voltage			0.45	V	} $I_{OL} = 1.9\text{mA}$ on all outputs, $I_{OH} = 150\mu\text{A}$.
V_{OH}	Output High Voltage	3.7			V	
$I_{DD(AV)}$	Avg. Power Supply Current (V_{DD})		50	80	mA	} Operation $T_{CY} = .48 \mu\text{sec}$
$I_{CC(AV)}$	Avg. Power Supply Current (V_{CC})		60	100	mA	
$I_{BB(AV)}$	Avg. Power Supply Current (V_{BB})		.01	1	mA	
I_{IL}	Input Leakage			± 10	μA	$V_{SS} \leq V_{IN} \leq V_{CC}$
I_{CL}	Clock Leakage			± 10	μA	$V_{SS} \leq V_{CLOCK} \leq V_{DD}$
$I_{DL} [2]$	Data Bus Leakage in Input Mode			-100 -2.0	μA mA	$V_{SS} \leq V_{IN} \leq V_{SS} + 0.8\text{V}$ $V_{SS} + 0.8\text{V} \leq V_{IN} \leq V_{CC}$
I_{FL}	Address and Data Bus Leakage During HOLD			+10 -100	μA	$V_{ADDR/DATA} = V_{CC}$ $V_{ADDR/DATA} = V_{SS} + 0.45\text{V}$

CAPACITANCE

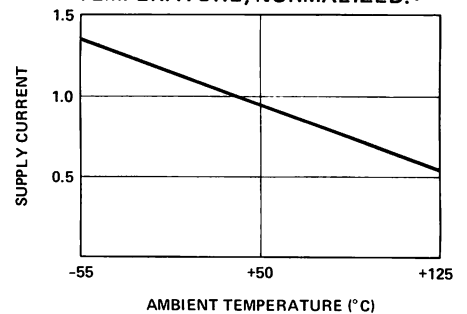
$T_A = 25^\circ\text{C}$ $V_{CC} = V_{DD} = V_{SS} = 0\text{V}$, $V_{BB} = -5\text{V}$

Symbol	Parameter	Typ.	Max.	Unit	Test Condition
C_ϕ	Clock Capacitance	17	25	pf	$f_c = 1 \text{ MHz}$
C_{IN}	Input Capacitance	6	10	pf	Unmeasured Pins
C_{OUT}	Output Capacitance	10	20	pf	Returned to V_{SS}

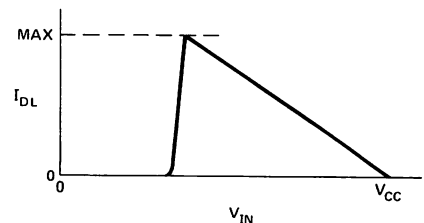
NOTES:

1. The RESET signal must be active for a minimum of 3 clock cycles.
2. When DBIN is high and $V_{IN} > V_{IH}$ an internal active pull up will be switched onto the Data Bus.
3. $\Delta I \text{ supply} / \Delta T_A = -0.45\% / ^\circ\text{C}$.

TYPICAL SUPPLY CURRENT VS. TEMPERATURE, NORMALIZED. [3]



DATA BUS CHARACTERISTIC DURING DBIN



SILICON GATE MOS M8080A

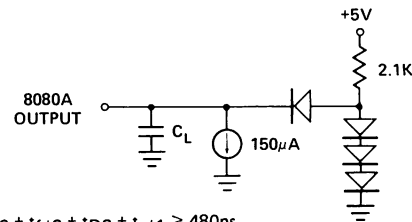
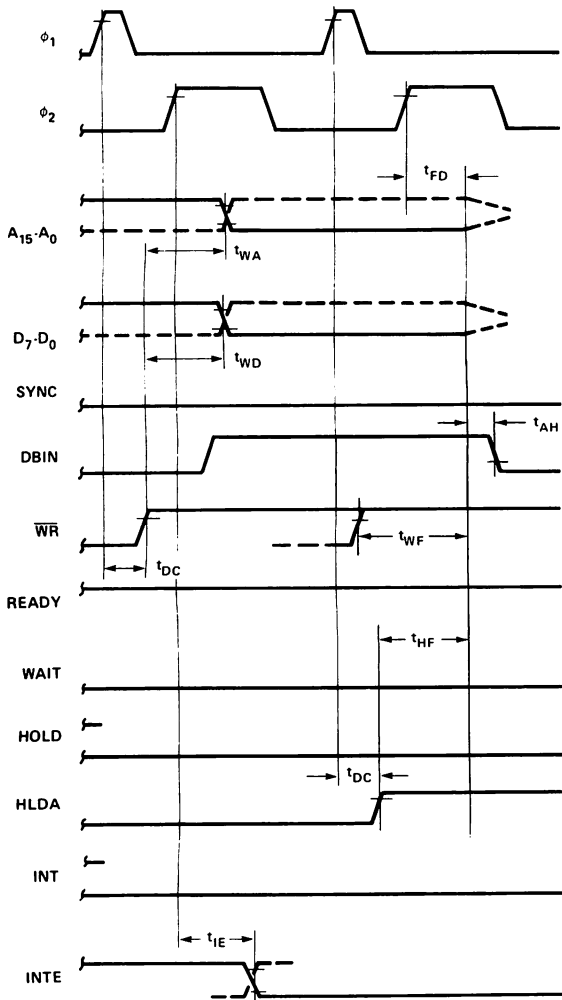
A.C. CHARACTERISTICS (Continued)

$T_A = -55^\circ\text{C}$ to $+125^\circ\text{C}$, $V_{DD} = +12\text{V} \pm 10\%$, $V_{CC} = +5\text{V} \pm 10\%$, $V_{BB} = -5\text{V} \pm 10\%$, $V_{SS} = 0\text{V}$, Unless Otherwise Noted.

Symbol	Parameter	Min.	Max.	Unit	Test Condition	
t_{DS2}	Data Setup Time to ϕ_2 During DBIN	130		n sec	$C_L = 50\text{pf}$	
$t_{DH}^{[1]}$	Data Hold Time From ϕ_2 During DBIN	50		n sec		
$t_{IE}^{[2]}$	INTE Output Delay From ϕ_2		200	n sec		
t_{RS}	READY Setup Time During ϕ_2	120		n sec		
t_{HS}	HOLD Setup Time to ϕ_2	140		n sec		
t_{IS}	INT Setup Time During ϕ_2 (During ϕ_1 in Halt Mode)	120		n sec		
t_H	Hold Time From ϕ_2 (READY, INT, HOLD)	0		n sec		
t_{FD}	Delay to Float During Hold (Address and Data Bus)		130	n sec		
$t_{AW}^{[2]}$	Address Stable Prior to \overline{WR}	[5]		n sec		$C_L = 50\text{pf}$
$t_{DW}^{[2]}$	Output Data Stable Prior to \overline{WR}	[6]		n sec		
$t_{WD}^{[2]}$	Output Data Stable From \overline{WR}	[7]		n sec		
$t_{WA}^{[2]}$	Address Stable From \overline{WR}	[7]		n sec		
$t_{HF}^{[2]}$	HLDA to Float Delay	[8]		n sec		
$t_{WF}^{[2]}$	\overline{WR} to Float Delay	[9]		n sec		
$t_{AH}^{[2]}$	Address Hold Time After DBIN During HLDA	-20		n sec		

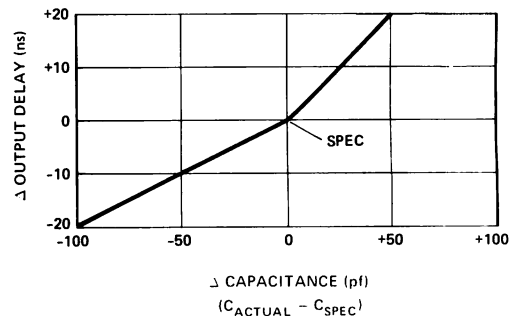
NOTES:

- Data input should be enabled with DBIN status. No bus conflict can then occur and data hold time is assured. $t_{DH} = 50\text{ns}$ or t_{DF} , whichever is less.
- Load Circuit.



- $t_{CY} = t_{D3} + t_{r\phi 2} + t_{\phi 2} + t_{f\phi 2} + t_{D2} + t_{r\phi 1} \geq 480\text{ns}$.

TYPICAL Δ OUTPUT DELAY VS. Δ CAPACITANCE



- The following are relevant when interfacing the M8080A to devices having $V_{IH} = 3.3\text{V}$:
 - Maximum output rise time from .8V to 3.3V = 100ns @ $C_L = \text{SPEC}$.
 - Output delay when measured to 3.0V = SPEC + 60ns @ $C_L = \text{SPEC}$.
 - If $C_L \neq \text{SPEC}$, add .6ns/pf if $C_L > C_{\text{SPEC}}$, subtract .3ns/pf (from modified delay) if $C_L < C_{\text{SPEC}}$.
- $t_{AW} = 2 t_{CY} - t_{D3} - t_{r\phi 2} - 140\text{nsec}$.
- $t_{DW} = t_{CY} - t_{D3} - t_{r\phi 2} - 170\text{nsec}$.
- If not HLDA, $t_{WD} = t_{WA} = t_{D3} + t_{r\phi 2} + 10\text{ns}$. If HLDA, $t_{WD} = t_{WA} = t_{WF}$.
- $t_{HF} = t_{D3} + t_{r\phi 2} - 50\text{ns}$.
- $t_{WF} = t_{D3} + t_{r\phi 2} - 10\text{ns}$.
- Data in must be stable for this period during DBIN $\cdot T_3$. Both t_{DS1} and t_{DS2} must be satisfied.
- Ready signal must be stable for this period during T_2 or T_W . (Must be externally synchronized.)
- Hold signal must be stable for this period during T_2 or T_W when entering hold mode, and during T_3 , T_4 , T_5 and T_{WH} when in hold mode. (External synchronization is not required.)
- Interrupt signal must be stable during this period of the last clock cycle of any instruction in order to be recognized on the following instruction. (External synchronization is not required.)
- This timing diagram shows timing relationships only; it does not represent any specific machine cycle.

SILICON GATE MOS M8080A

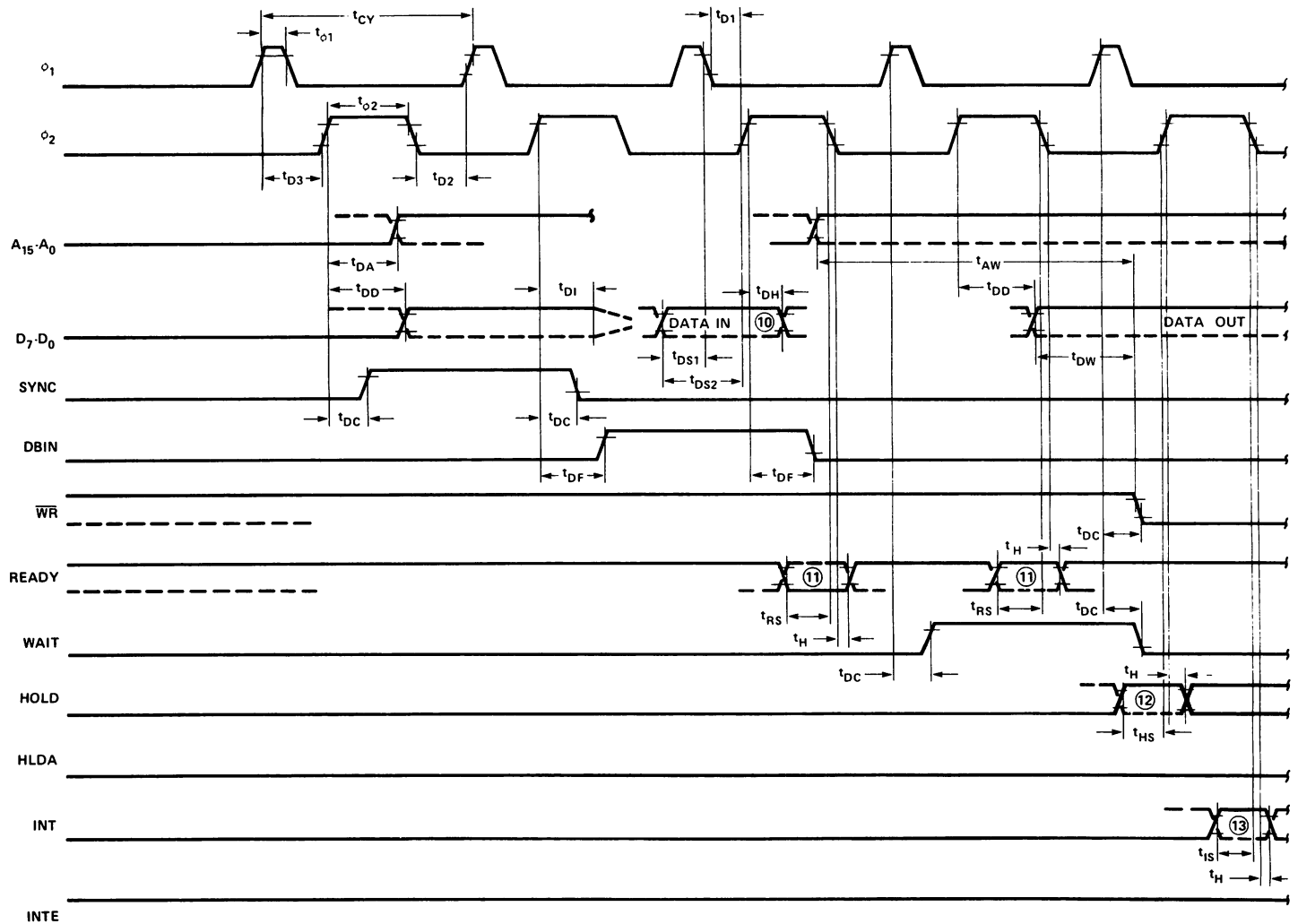
A.C. CHARACTERISTICS

$T_A = -55^\circ\text{C}$ to $+125^\circ\text{C}$, $V_{DD} = +12\text{V} \pm 10\%$, $V_{CC} = +5\text{V} \pm 10\%$, $V_{BB} = -5\text{V} \pm 10\%$, $V_{SS} = 0\text{V}$, Unless Otherwise Noted.

Symbol	Parameter	Min.	Max.	Unit	Test Condition
$t_{CY}^{[3]}$	Clock Period	0.48	2.0	μsec	} $C_L = 50\text{pf}$
t_r, t_f	Clock Rise and Fall Time	0	50	nsec	
$t_{\phi 1}$	ϕ_1 Pulse Width	60		nsec	
$t_{\phi 2}$	ϕ_2 Pulse Width	220		nsec	
t_{D1}	Delay ϕ_1 to ϕ_2	0		nsec	
t_{D2}	Delay ϕ_2 to ϕ_1	80		nsec	
t_{D3}	Delay ϕ_1 to ϕ_2 Leading Edges	80		nsec	
$t_{DA}^{[2]}$	Address Output Delay From ϕ_2		200	nsec	
$t_{DD}^{[2]}$	Data Output Delay From ϕ_2		220	nsec	
$t_{DC}^{[2]}$	Signal Output Delay From ϕ_1 , or ϕ_2 (SYNC, \overline{WR} , WAIT, HLDA)		140	nsec	
$t_{DF}^{[2]}$	DBIN Delay From ϕ_2	25	150	nsec	
$t_{DI}^{[1]}$	Delay for Input Bus to Enter Input Mode		t_{DF}	nsec	
t_{DS1}	Data Setup Time During ϕ_1 and DBIN	30		nsec	

TIMING WAVEFORMS ^[14]

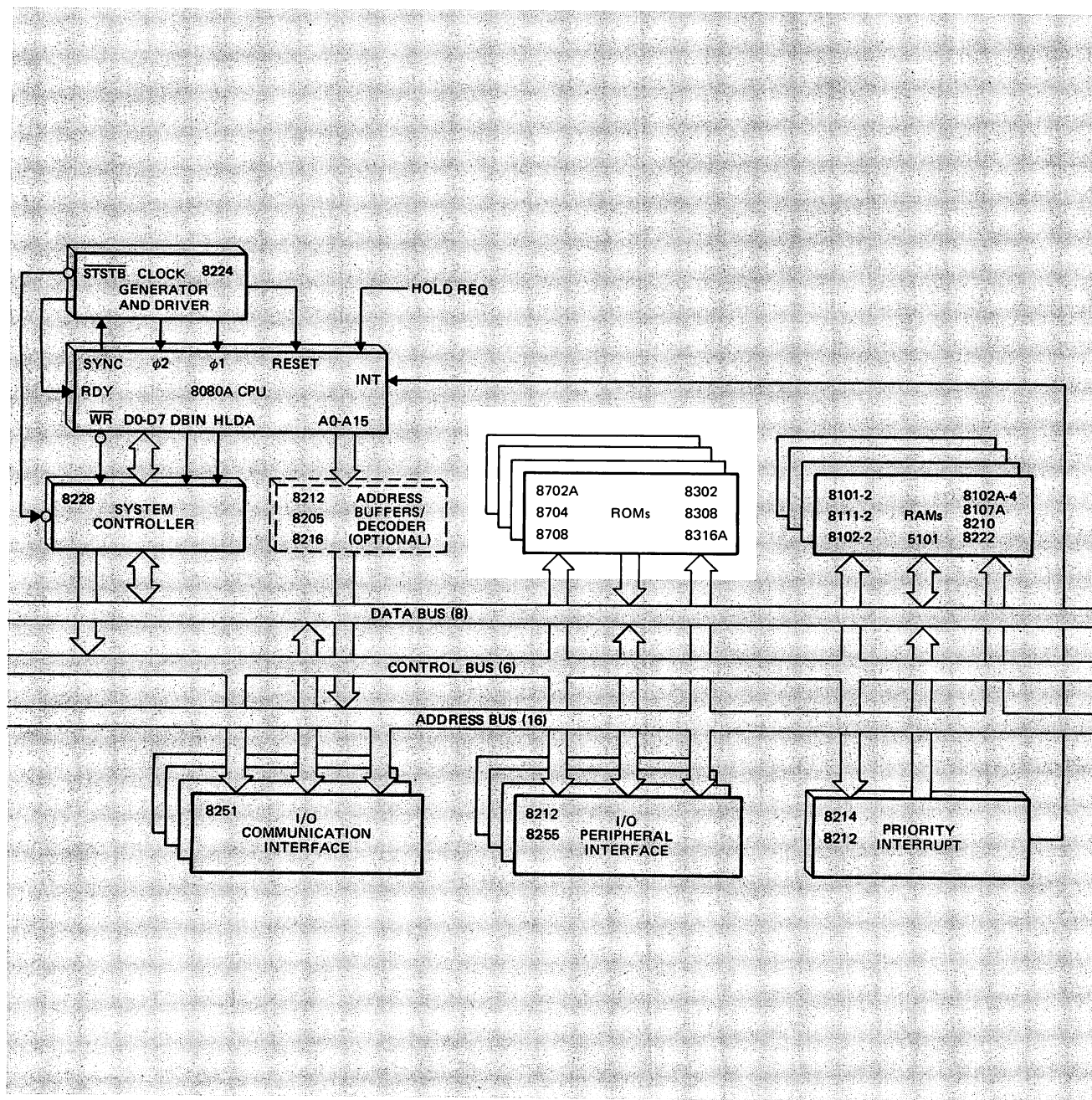
(Note: Timing measurements are made at the following reference voltages: CLOCK "1" = 7.0V, "0" = 1.0V; INPUTS "1" = 3.0V, "0" = 0.8V; OUTPUTS "1" = 2.0V, "0" = 0.8V.)



ROMs

8702A
8704
8708

8302
8308
8316A





Silicon Gate MOS 8702A

2048 BIT ERASABLE AND ELECTRICALLY REPROGRAMMABLE READ ONLY MEMORY

- Access Time — 1.3 μ sec Max.
- Fast Programming — 2 Minutes for All 2048 Bits
- Fully Decoded, 256 x 8 Organization
- Static MOS — No Clocks Required
- Inputs and Outputs TTL Compatible
- Three-State Output — OR-Tie Capability
- Simple Memory Expansion Chip Select Input Lead

The 8702A is a 256 word by 8 bit electrically programmable ROM ideally suited for microcomputer system development where fast turn-around and pattern experimentation are important. The 8702A undergoes complete programming and functional testing on each bit position prior to shipment, thus insuring 100% programmability.

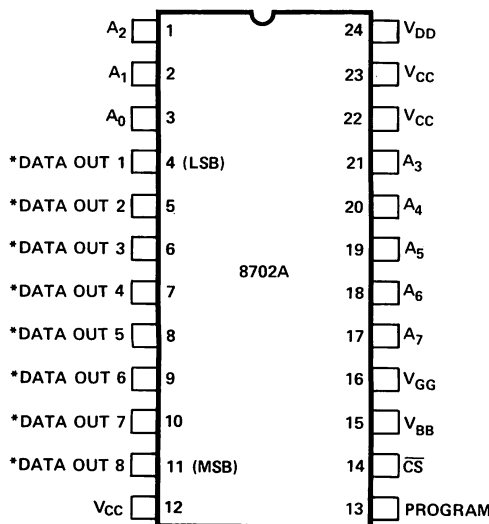
The 8702A is packaged in a 24 pin dual-in line package with a transparent quartz lid. The transparent quartz lid allows the user to expose the chip to ultraviolet light to erase the bit pattern. A new pattern can then be written into the device. This procedure can be repeated as many times as required.

The circuitry of the 8702A is entirely static; no clocks are required.

A pin-for-pin metal mask programmed ROM, the Intel 8302, is ideal for large volume production runs of systems initially using the 8702A.

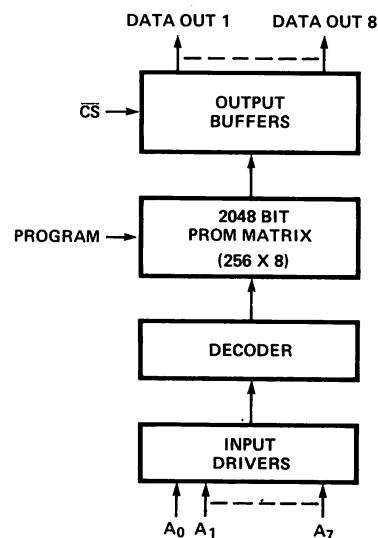
The 8702A is fabricated with silicon gate technology. This low threshold technology allows the design and production of higher performance MOS circuits and provides a higher functional density on a monolithic chip than conventional MOS technologies.

PIN CONFIGURATION



*THIS PIN IS THE DATA INPUT LEAD DURING PROGRAMMING.

BLOCK DIAGRAM



PIN NAMES

A ₀ -A ₇	ADDRESS INPUTS
\overline{CS}	CHIP SELECT INPUT
DO ₁ , DO ₂	DATA OUTPUTS

SILICON GATE MOS 8702A

PIN CONNECTIONS

The external lead connections to the 8702A differ, depending on whether the device is being programmed⁽¹⁾ or used in read mode. (See following table.)

MODE \ PIN	12 (V _{CC})	13 (Program)	14 (\overline{CS})	15 (V _{BB})	16 (V _{GG})	22 (V _{CC})	23 (V _{CC})
Read	V _{CC}	V _{CC}	GND	V _{CC}	V _{GG}	V _{CC}	V _{CC}
Programming	GND	Program Pulse	GND	V _{BB}	Pulsed V _{GG} (V _{IL4P})	GND	GND

ABSOLUTE MAXIMUM RATINGS*

Ambient Temperature Under Bias 0°C to +70°C
 Storage Temperature -65°C to +125°C
 Soldering Temperature of Leads (10 sec) +300°C
 Power Dissipation 2 Watts
 Read Operation: Input Voltages and Supply
 Voltages with respect to V_{CC} +0.5V to -20V
 Program Operation: Input Voltages and Supply
 Voltages with respect to V_{CC} -48V

*COMMENT

Stresses above those listed under "Absolute Maximum Ratings" may cause permanent damage to the device. This is a stress rating only and functional operation of the device at these or at any other condition above those indicated in the operational sections of this specification is not implied. Exposure to Absolute Maximum Rating conditions for extended periods may affect device reliability.

READ OPERATION

D.C. AND OPERATING CHARACTERISTICS

T_A = 0°C to 70°C, V_{CC} = +5V±5%, V_{DD} = -9V±5%, V_{GG}⁽²⁾ = -9V±5%, unless otherwise noted.

SYMBOL	TEST	MIN.	TYP. ⁽³⁾	MAX.	UNIT	CONDITIONS
I _{LI}	Address and Chip Select Input Load Current			10	μA	V _{IN} = 0.0V
I _{LO}	Output Leakage Current			10	μA	V _{OUT} = 0.0V, \overline{CS} = V _{CC} - 2
I _{DDO}	Power Supply Current		5	10	mA	V _{GG} = V _{CC} , \overline{CS} = V _{CC} - 2 I _{OL} = 0.0mA, T _A = 25°C
I _{DD1}	Power Supply Current		35	50	mA	\overline{CS} = V _{CC} - 2 I _{OL} = 0.0mA, T _A = 25°C
I _{DD2}	Power Supply Current		32	46	mA	\overline{CS} = 0.0 I _{OL} = 0.0mA, T _A = 25°C
I _{DD3}	Power Supply Current		38.5	60	mA	\overline{CS} = V _{CC} - 2 I _{OL} = 0.0mA, T _A = 0°C
I _{CF1}	Output Clamp Current		8	14	mA	V _{OUT} = -1.0V, T _A = 0°C
I _{CF2}	Output Clamp Current			13	mA	V _{OUT} = -1.0V, T _A = 25°C
I _{GG}	Gate Supply Current			10	μA	
V _{IL1}	Input Low Voltage for TTL Interface	-1.0		0.65	V	
V _{IL2}	Input Low Voltage for MOS Interface	V _{DD}		V _{CC} - 6	V	
V _{IH}	Address and Chip Select Input High Voltage	V _{CC} - 2		V _{CC} + 0.3	V	
I _{OL}	Output Sink Current	1.6	4		mA	V _{OUT} = 0.45V
V _{OL}	Output Low Voltage		-0.7	0.45	V	I _{OL} = 1.6mA
V _{OH}	Output High Voltage	3.5			V	I _{OH} = -200 μA

Continuous Operation

Note 1: In the programming mode, the data inputs 1-8 are pins 4-11 respectively. \overline{CS} = GND.

Note 2: V_{GG} may be clocked to reduce power dissipation. In this mode average I_{DD} increases in proportion to V_{GG} duty cycle. (See p. 5)

Note 3: Typical values are at nominal voltages and T_A = 25°C.

SILICON GATE MOS 8702A

A.C. CHARACTERISTICS

$T_A = 0^\circ\text{C}$ to $+70^\circ\text{C}$, $V_{CC} = +5\text{V} \pm 5\%$, $V_{DD} = -9\text{V} \pm 5\%$, $V_{GG} = -9\text{V} \pm 5\%$ unless otherwise noted

SYMBOL	TEST	MINIMUM	TYPICAL	MAXIMUM	UNIT
Freq.	Repetition Rate			1	MHz
t_{OH}	Previous read data valid			100	ns
t_{ACC}	Address to output delay			1.3	μs
t_{DVGG}	Clocked V_{GG} set up [2]	1.0			μs
t_{CS}	Chip select delay			400	ns
t_{CO}	Output delay from \overline{CS}			900	ns
t_{OD}	Output deselection			400	ns
t_{OHC}	Data out hold in clocked V_{GG} mode (Note 1)			5	μs

Note 1. The output will remain valid for t_{OHC} as long as clocked V_{GG} is at V_{CC} . An address change may occur as soon as the output is sensed (clocked V_{GG} may still be at V_{CC}). Data becomes invalid for the old address when clocked V_{GG} is returned to V_{GG} .

2. For this option please specify 8702AL

CAPACITANCE* $T_A = 25^\circ\text{C}$

SYMBOL	TEST	MINIMUM	TYPICAL	MAXIMUM	UNIT	CONDITIONS
C_{IN}	Input Capacitance		8	15	pF	$V_{IN} = V_{CC}$ $CS = V_{CC}$ $V_{OUT} = V_{CC}$ $V_{GG} = V_{CC}$
C_{OUT}	Output Capacitance		10	15	pF	
C_{VGG}	V_{GG} Capacitance (Clocked V_{GG} Mode)			30	pF	

All unused pins are at A.C. ground

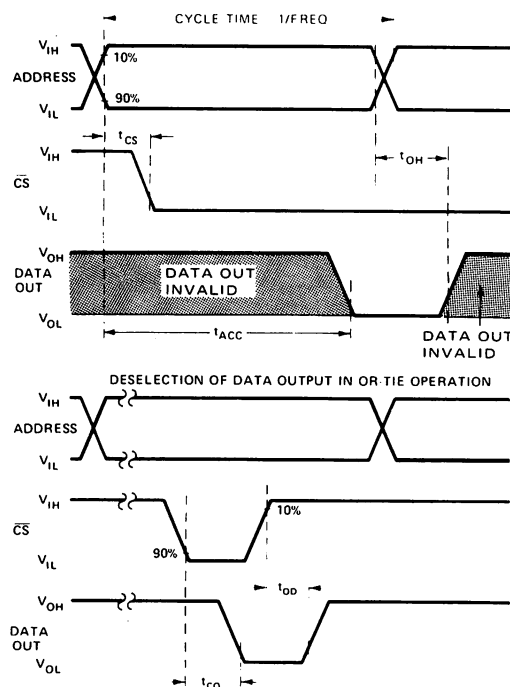
* This parameter is periodically sampled and is not 100% tested.

SWITCHING CHARACTERISTICS

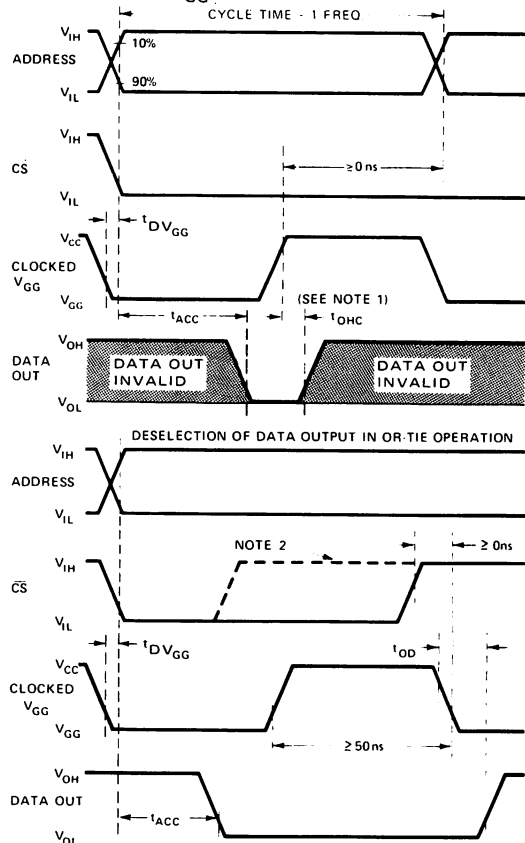
Conditions of Test:

Input pulse amplitudes: 0 to 4V; $t_R, t_F \leq 50$ ns
 Output load is 1 TTL gate; measurements made at output of TTL gate ($t_{PD} \leq 15$ ns)

A) Constant V_{GG} Operation



B) Clocked V_{GG} Operation

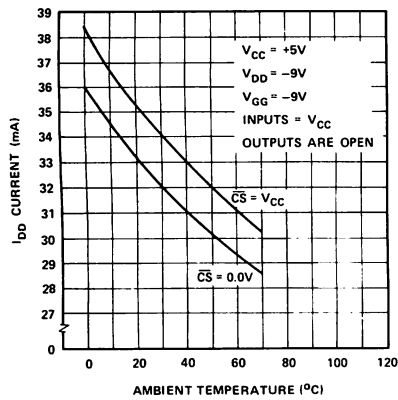


NOTE 1: The output will remain valid for t_{OHC} as long as clocked V_{GG} is at V_{CC} . An address change may occur as soon as the output is sensed (clocked V_{GG} may still be at V_{CC}). Data becomes invalid for the old address when clocked V_{GG} is returned to V_{GG} .

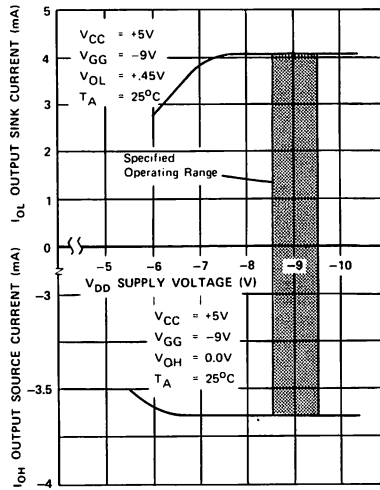
NOTE 2: If \overline{CS} makes a transition from V_{IL} to V_{IH} while clocked V_{GG} is at V_{GG} , then deselection of output occurs at t_{OD} as shown in static operation with constant V_{GG} .

TYPICAL CHARACTERISTICS

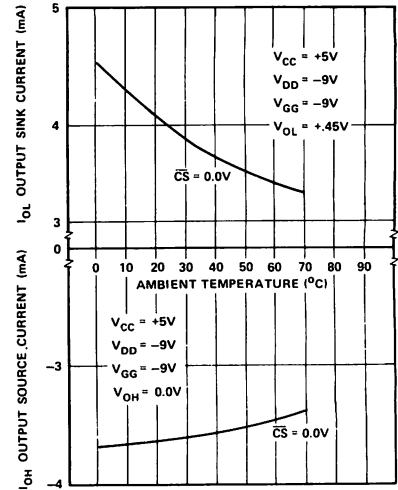
I_{DD} CURRENT VS. TEMPERATURE



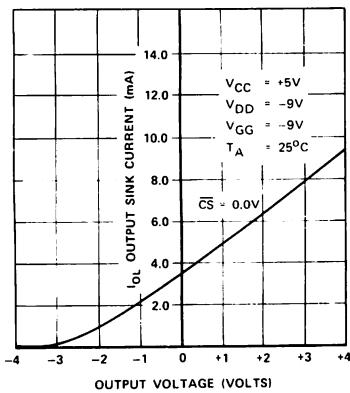
OUTPUT CURRENT VS. V_{DD} SUPPLY VOLTAGE



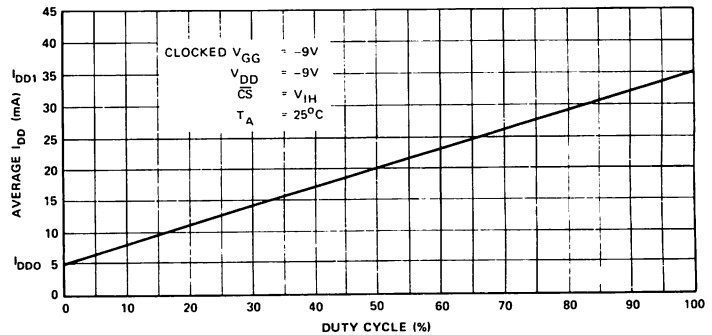
OUTPUT CURRENT VS. TEMPERATURE



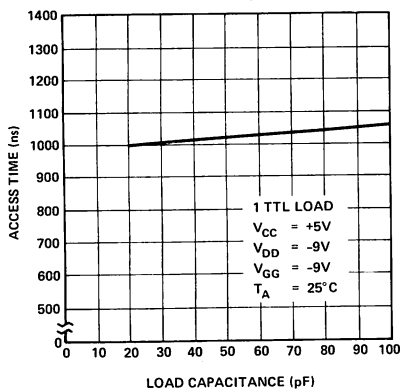
OUTPUT SINK CURRENT VS. OUTPUT VOLTAGE



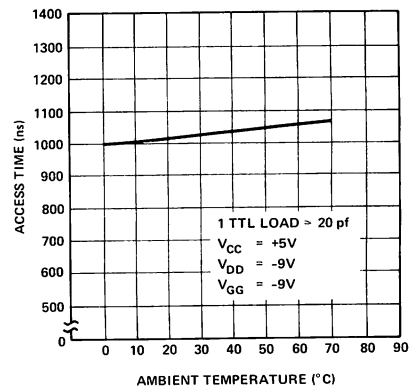
AVERAGE CURRENT VS. DUTY CYCLE FOR CLOCKED V_{GG}



ACCESS TIME VS. LOAD CAPACITANCE



ACCESS TIME VS. TEMPERATURE



PROGRAMMING OPERATION
D.C. AND OPERATING CHARACTERISTICS FOR PROGRAMMING OPERATION
 $T_A = 25^\circ\text{C}$, $V_{CC} = 0\text{V}$, $V_{BB} = +12\text{V} \pm 10\%$, $\overline{CS} = 0\text{V}$ unless otherwise noted

SYMBOL	TEST	MIN.	TYP.	MAX.	UNIT	CONDITIONS
I_{LI1P}	Address and Data Input Load Current			10	mA	$V_{IN} = -48\text{V}$
I_{LI2P}	Program and V_{GG} Load Current			10	mA	$V_{IN} = -48\text{V}$
I_{BB}	V_{BB} Supply Load Current		.05		mA	
$I_{DDP}^{(1)}$	Peak I_{DD} Supply Load Current		200		mA	$V_{DD} = V_{prog} = -48\text{V}$ $V_{GG} = -35\text{V}$
V_{IHP}	Input High Voltage			0.3	V	
V_{IL1P}	Pulsed Data Input Low Voltage	-46		-48	V	
V_{IL2P}	Address Input Low Voltage	-40		-48	V	
V_{IL3P}	Pulsed Input Low V_{DD} and Program Voltage	-46		-48	V	
V_{IL4P}	Pulsed Input Low V_{GG} Voltage	-35		-40	V	

Note 1: I_{DDP} flows only during V_{DD} , V_{GG} on time. I_{DDP} should not be allowed to exceed 300mA for greater than 100 μsec . Average power supply current I_{DDP} is typically 40mA at 20% duty cycle.

A.C. CHARACTERISTICS FOR PROGRAMMING OPERATION
 $T_{AMBIENT} = 25^\circ\text{C}$, $V_{CC} = 0\text{V}$, $V_{BB} = +12\text{V} \pm 10\%$, $\overline{CS} = 0\text{V}$ unless otherwise noted

SYMBOL	TEST	MIN.	TYP.	MAX.	UNIT	CONDITIONS
	Duty Cycle (V_{DD} , V_{GG})			20	%	
$t_{\phi PW}$	Program Pulse Width			3	ms	$V_{GG} = -35\text{V}$, $V_{DD} = V_{prog} = -48\text{V}$
t_{DW}	Data Set Up Time	25			μs	
t_{DH}	Data Hold Time	10			μs	
t_{VW}	V_{DD} , V_{GG} Set Up	100			μs	
t_{VD}	V_{DD} , V_{GG} Hold	10		100	μs	
$t_{ACW}^{(2)}$	Address Complement Set Up	25			μs	
$t_{ACH}^{(2)}$	Address Complement Hold	25			μs	
t_{ATW}	Address True Set Up	10			μs	
t_{ATH}	Address True Hold	10			μs	

Note 2. All 8 address bits must be in the complement state when pulsed V_{DD} and V_{GG} move to their negative levels. The addresses (0 through 255) must be programmed as shown in the timing diagram for a minimum of 32 times.

SWITCHING CHARACTERISTICS FOR PROGRAMMING OPERATION

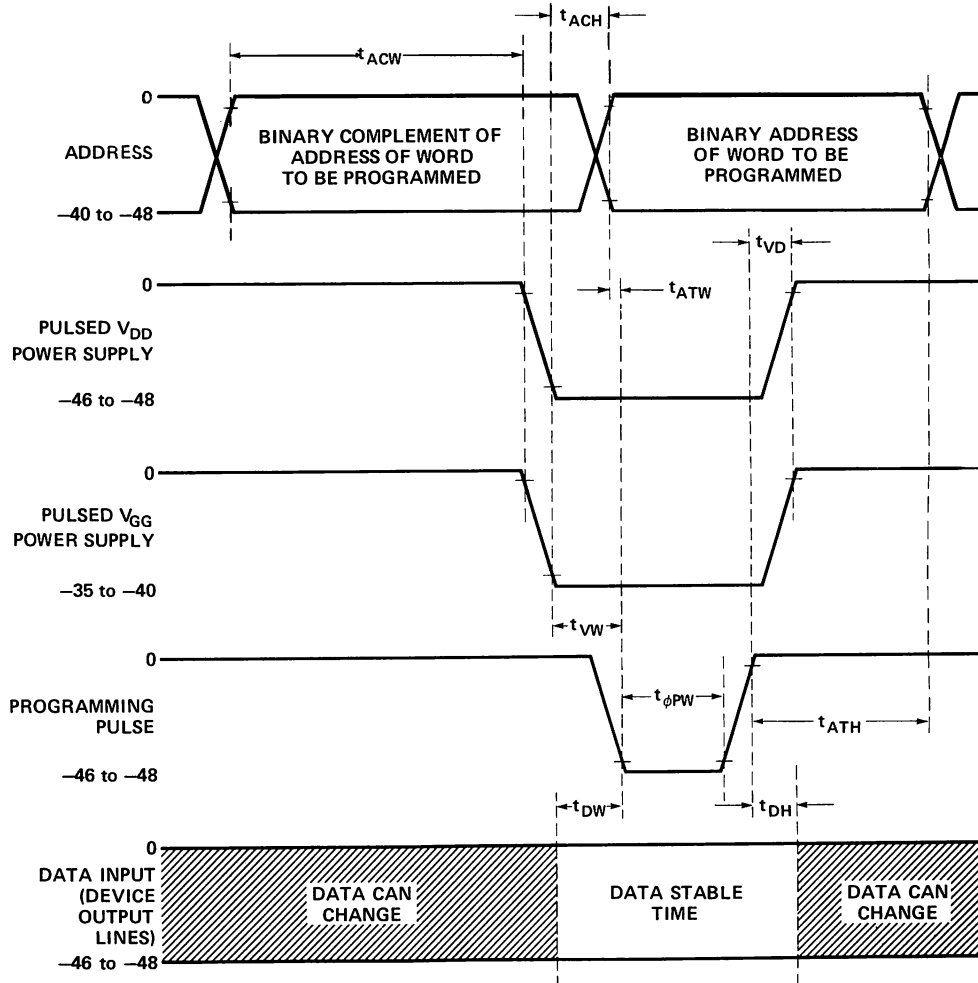
PROGRAM OPERATION

Conditions of Test:

Input pulse rise and fall times $\leq 1\mu\text{sec}$

$\overline{\text{CS}} = 0\text{V}$

PROGRAM WAVEFORMS



PROGRAMMING OPERATION OF THE 8702A

When the Data Input for the Program Mode is:		Then the Data Output during the Read Mode is:	WORD	ADDRESS							
				A7	A6	A5	A4	A3	A2	A1	A0
$V_{ILIP} \approx -48\text{V}$ pulsed		Logic 1 = V_{OH} = 'P' on tape	0	0	0	0	0	0	0	0	0
			1	0	0	0	0	0	0	0	1
$V_{IHP} \approx 0\text{V}$		Logic 0 = V_{OL} = 'N' on tape	255	1	1	1	1	1	1	1	1

Address Logic Level During Read Mode: Logic 0 = V_{IL} ($\sim 3\text{V}$) Logic 1 = V_{IH} ($\sim 3\text{V}$)
 Address Logic Level During Program Mode: Logic 0 = V_{IL2P} ($\sim -40\text{V}$) Logic 1 = V_{IHP} ($\sim 0\text{V}$)

PROGRAMMING INSTRUCTIONS FOR THE 8702A

I. Operation of the 8702A in Program Mode

Initially, all 2048 bits of the ROM are in the "0" state (output low). Information is introduced by selectively programming "1"s (output high) in the proper bit locations.

Word address selection is done by the same decoding circuitry used in the READ mode (see table on page 6 for logic levels). All 8 address bits must be in the binary complement state when pulsed V_{DD} and V_{GG} move to their negative levels. The addresses must be held in their binary complement state for a minimum of 25 μ sec after V_{DD} and V_{GG} have moved to their negative levels. The addresses must then make the transition to their true state a minimum of 10 μ sec before the program pulse is applied. The addresses should be programmed in the sequence 0 through 255 for a minimum of 32 times. The eight output terminals are used as data inputs to determine the information pattern in the eight bits of each word. A low data input level ($-48V$) will program a "1" and a high data input level (ground) will leave a "0" (see table on page 6). All eight bits of one word are programmed simultaneously by setting the desired bit information patterns on the data input terminals.

During the programming, V_{GG} , V_{DD} and the Program Pulse are pulsed signals.

II. Programming of the 8702A Using Intel[®] Microcomputers

Intel provides low cost program development systems which may be used to program its electrically programmable ROMs. Note that the programming specifications that apply to the 8702A are identical to those for Intel's 1702A.

A. Intellec[®]

The Intellec series of program development systems, the Intellec 8/Mod 8 and Intellec 8/Mod 80, are used as program development tools for the 8008 and 8080 microprocessors respectively. As such, they are equipped with a PROM programmer card and may be used to program Intel's electrically programmable and ultraviolet erasable ROMs.

An ASR-33 teletype terminal is used as the input device. Through use of the Intellec software system monitor, programs to be loaded into PROM may be typed in directly or loaded through the paper tape reader. The system monitor allows the program to be reviewed or altered at will prior to actually programming the PROM. For more complete information on these program development systems, refer to the Intel Microcomputer Catalog or the Intellec Specifications.

- B. Users of the SIM8 microcomputer programming systems may also program the 8702A using the MP7-03 programmer card and the appropriate control ROMs:
SIM8 system—Control ROMs
A0860, A0861 and A0863.

III. 8702A Erasing Procedure

The 8702A may be erased by exposure to high intensity short-wave ultraviolet light at a wavelength of 2537Å. The recommended integrated dose (i.e., UV intensity x exposure time) is 6W-sec/cm². Examples of ultraviolet sources which can erase the 8702A in 10 to 20 minutes are the Model UVS-54 and Model S-52 short-wave ultraviolet lamps manufactured by Ultra-Violet Products, Inc. (5114 Walnut Grove Avenue, San Gabriel, California). The lamps should be used without short-wave filters, and the 8702A to be erased should be placed about one inch away from the lamp tubes.



Silicon Gate MOS 8708/8704

8192/4096 BIT ERASABLE AND ELECTRICALLY REPROGRAMMABLE READ ONLY MEMORY

- 8708 1024x8 Organization
- 8704 512x8 Organization

- Fast Programming — Typ. 100 sec. For All 8K Bits
- Low Power During Programming
- Access Time — 450 ns
- Standard Power Supplies — +12V, ±5V
- Static — No Clocks Required
- Inputs and Outputs TTL Compatible During Both Read and Program Modes
- Three-State Output — OR-Tie Capability

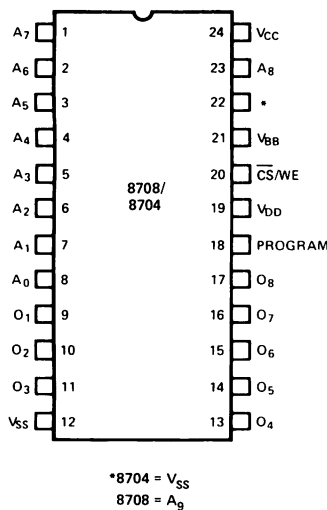
The Intel[®] 8708/8704 are high speed 8192/4096 bit erasable and electrically reprogrammable ROM's (EPROM) ideally suited where fast turn around and pattern experimentation are important requirements.

The 8708/8704 are packaged in a 24 pin dual-in-line package with transparent lid. The transparent lid allows the user to expose the chip to ultraviolet light to erase the bit pattern. A new pattern can then be written into the devices.

A pin for pin mask programmed ROM, the Intel[®] 8308, is available for large volume production runs of systems initially using the 8708.

The 8708/8704 is fabricated with the time proven N-channel silicon gate technology.

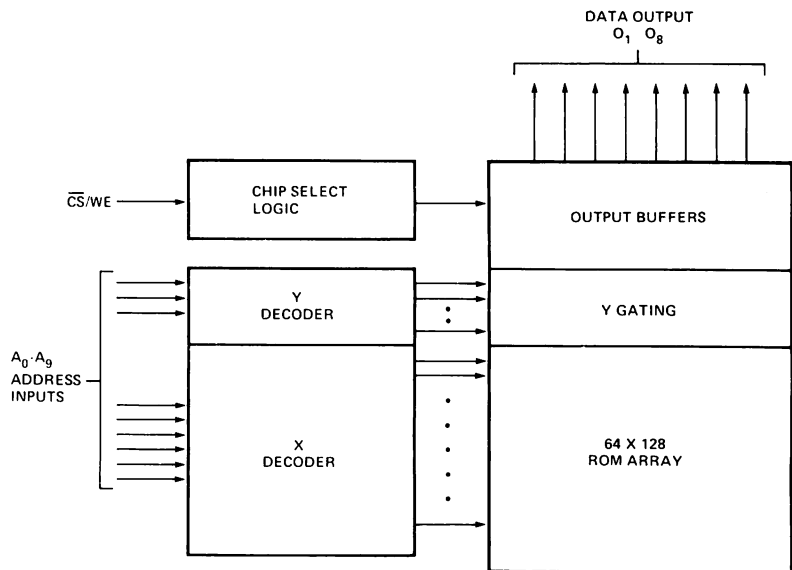
PIN CONFIGURATIONS



PIN NAMES

A ₀ -A ₉	ADDRESS INPUTS
O ₁ -O ₈	DATA OUTPUTS
CS/WE	CHIP SELECT/WRITE ENABLE INPUT

BLOCK DIAGRAM



Absolute Maximum Ratings *

Temperature Under Bias	-25°C to +85°C
Storage Temperature	-65°C to +125°C
All Input or Output Voltages with Respect to V_{BB} (except Program)	+15V to -0.3V
Program Input to V_{BB}	+35V to -0.3V
Supply Voltages V_{CC} and V_{SS} with Respect to V_{BB}	+15V to -0.3V
V_{DD} with Respect to V_{BB}	+20V to -0.3V
Power Dissipation	1.5W

*COMMENT

Stresses above those listed under "Absolute Maximum Ratings" may cause permanent damage to the device. This is a stress rating only and functional operation of the device at these or any other conditions above those indicated in the operational sections of this specification is not implied. Exposure to absolute maximum rating conditions for extended periods may affect device reliability.

READ OPERATION

D.C. and Operating Characteristics

$T_A = 0^\circ\text{C}$ to 70°C , $V_{CC} = +5\text{V} \pm 5\%$, $V_{DD} = +12\text{V} \pm 5\%$, $V_{BB} = -5\text{V} \pm 5\%$, $V_{SS} = 0\text{V}$, Unless Otherwise Noted.

Symbol	Parameter	Min.	Typ.[1]	Max.	Unit	Conditions
I_{LI}	Address and Chip Select Input Load Current			10	μA	$V_{IN} = 5.25\text{V}$
I_{LO}	Output Leakage Current			10	μA	$V_{OUT} = 5.25\text{V}$, $\overline{CS}/\overline{WE} = 5\text{V}$
I_{DD}	V_{DD} Supply Current		50	65	mA	Worst Case Supply Currents: All Inputs High $\overline{CS}/\overline{WE} = 5\text{V}$; $T_A = 0^\circ\text{C}$
I_{CC}	V_{CC} Supply Current		6	10	mA	
I_{BB}	V_{BB} Supply Current		30	45	mA	
V_{IL}	Input Low Voltage	V_{SS}		0.65	V	
V_{IH}	Input High Voltage	3.0		$V_{CC}+1$	V	
V_{OL}	Output Low Voltage			0.45	V	$I_{OL} = 1.6\text{mA}$
V_{OH1}	Output High Voltage	3.7			V	$I_{OH} = -100\mu\text{A}$
V_{OH2}	Output High Voltage	2.4			V	$I_{OH} = -1\text{mA}$
P_D	Power Dissipation			800	mW	$T_A = 70^\circ\text{C}$

- NOTES: 1. Typical values are for $T_A = 25^\circ\text{C}$ and nominal supply voltages.
2. The program input (Pin 18) may be tied to V_{SS} or V_{CC} during the read mode.

A.C. Characteristics

$T_A = 0^\circ\text{C}$ to 70°C , $V_{CC} = +5\text{V} \pm 5\%$, $V_{DD} = +12\text{V} \pm 5\%$, $V_{BB} = -5\text{V} \pm 5\%$, $V_{SS} = 0\text{V}$, Unless Otherwise Noted.

Symbol	Parameter	Min.	Typ.	Max.	Unit
t_{ACC}	Address to Output Delay		280	450	ns
t_{CO}	Chip Select to Output Delay			120	ns
t_{DF}	Chip De-Select to Output Float	0		120	ns
t_{OH}	Address to Output Hold	0			ns

Capacitance^[1] $T_A = 25^\circ\text{C}$, $f = 1\text{MHz}$

Symbol	Parameter	Typ.	Max.	Unit	Conditions
C_{IN}	Input Capacitance	4	6	pF	$V_{IN}=0\text{V}$
C_{OUT}	Output Capacitance	8	12	pF	$V_{OUT}=0\text{V}$

Note 1. This parameter is periodically sampled and not 100% tested.

A.C. Test Conditions:

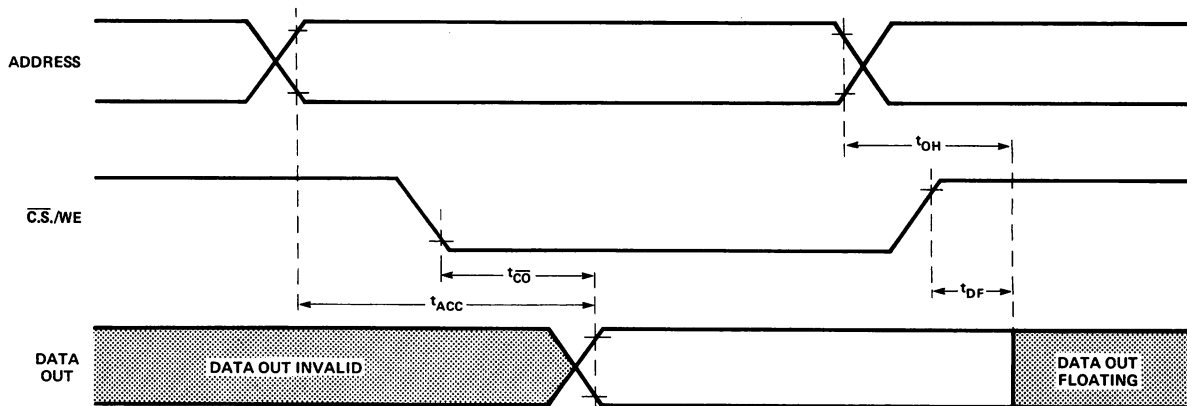
Output Load: 1 TTL gate and $C_L = 100\text{pF}$

Input Rise and Fall Times: $\leq 20\text{ns}$

Timing Measurement Reference Levels: 0.8V and 2.8V for inputs; 0.8V and 2.4V for outputs

Input Pulse Levels: 0.65V to 3.0V

Waveforms



PROGRAMMING OPERATION

Description

Initially, and after each erasure, all bits of the 8708/8704 are in the "1" state (Output High). Information is introduced by selectively programming "0" into the desired bit locations.

The circuit is set up for programming operation by raising the \overline{CS}/WE input (Pin 20) to +12V. The word address is selected in the same manner as in the read mode. Data to be programmed are presented, 8-bits in parallel, to the data output lines (O_1-O_8). Logic levels for address and data lines and the supply voltages are the same as for the read mode. After address and data set up one program pulse (V_P) per address is applied to the program input (Pin 18). One pass through all addresses to be programmed is defined as a program loop. The number of loops (N) required is a function of the program pulse width (t_{PW}) according to $N \times t_{PW} \geq 100$ ms.

For program verification, program loops and read loops may be alternated as shown in waveform B.

Program Characteristics

$T_A = 25^\circ C$, $V_{CC} = +5V \pm 5\%$, $V_{DD} = +12V \pm 5\%$, $V_{BB} = -5V \pm 5\%$, $V_{SS} = 0V$, $\overline{CS}/WE = +12V$, Unless Otherwise Noted.

Symbol	Parameter	Min.	Typ.	Max.	Units
t_{AS}	Address Setup Time	10			μs
t_{CSS}	\overline{CS}/WE Setup Time	10			μs
t_{DS}	Data Setup Time	10			μs
t_{AH}	Address Hold Time	1			μs
t_{CH}	\overline{CS}/WE Hold Time	.5			μs
t_{DH}	Data Hold Time	1			μs
t_{DF}	Chip Deselect to Output Float Delay	0		120	ns
t_{DPR}	Program To Read Delay			10	μs
t_{PW}	Program Pulse Width	.1		1.0	ms
t_{PR}	Program Pulse Rise Time	.5		2.0	μs
t_{PF}	Program Pulse Fall Time	.5		2.0	μs
I_P	Programming Current		10	20	mA
V_P	Program Pulse Amplitude	25		27	V

NOTE: Intel's standard product warranty applies only to devices programmed to specifications described herein.

Erasing Procedure

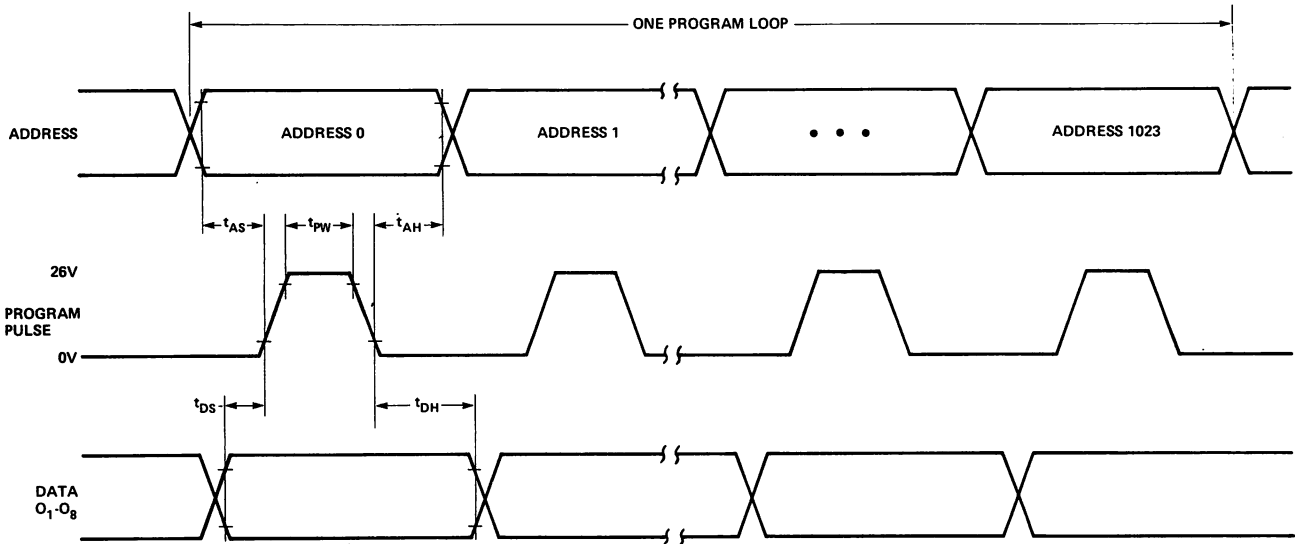
The 8708/8704 may be erased by exposure to high intensity short-wave ultraviolet light at a wavelength of 2537Å. The recommended integrated dose. (i.e., UV intensity x exposure time) is 10W-sec/cm². Examples of ultraviolet sources which can erase the 8708/8704 in 20 to 30 minutes are the Model UVS-54 and Model S-52 short-wave ultraviolet lamps manufactured by Ultra-Violet Products, Inc. (5114 Walnut Grove Avenue, San Gabriel, California). The lamps should be used without short-wave filters, and the 8708/8704 to be erased should be placed about one inch away from the lamp tubes.

Waveforms

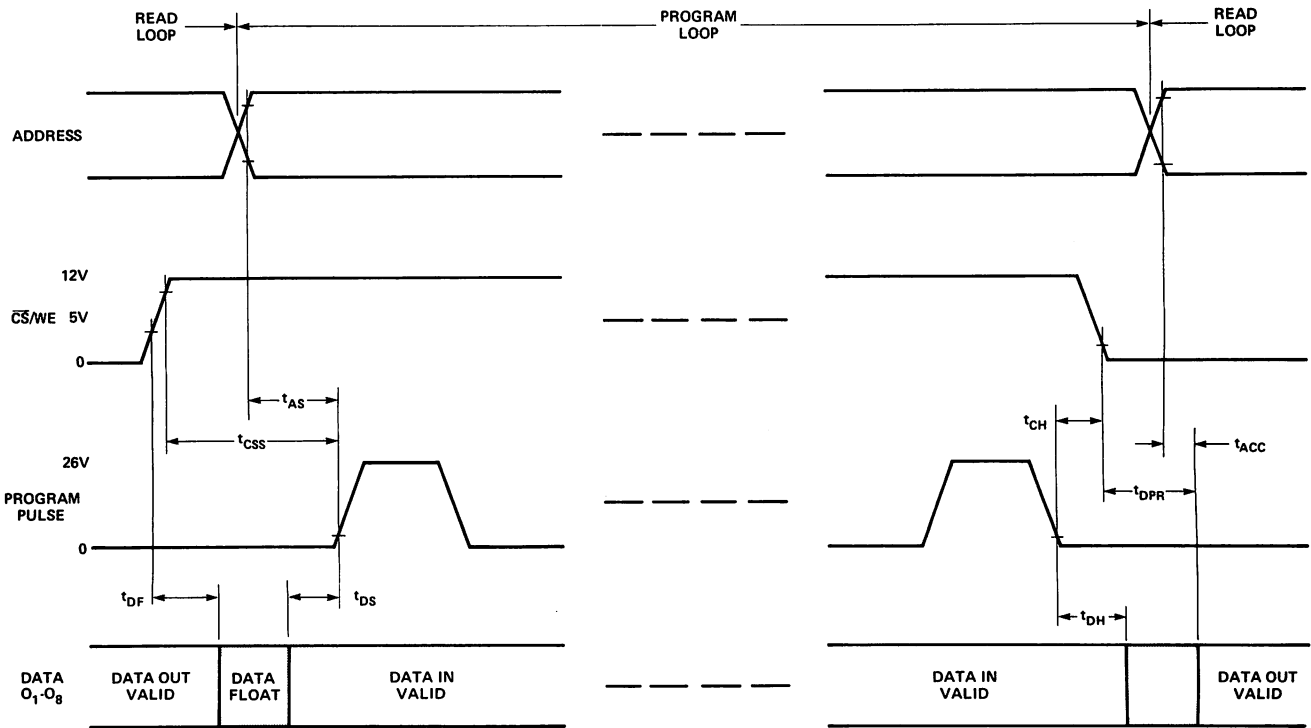
(Logic levels and timing reference levels same as in the Read Mode unless noted otherwise.)

A) Program Mode

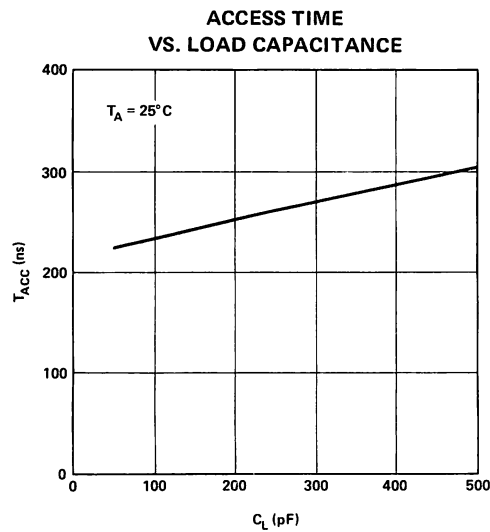
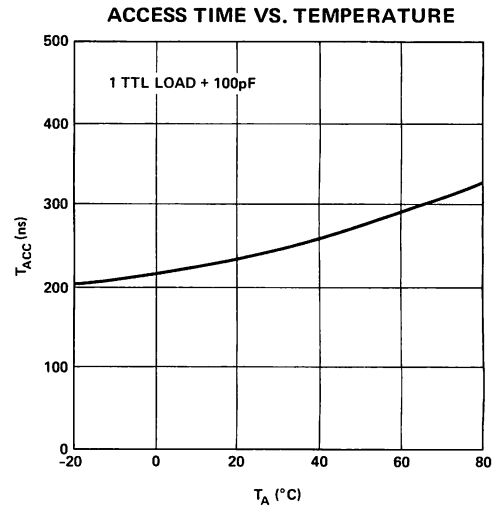
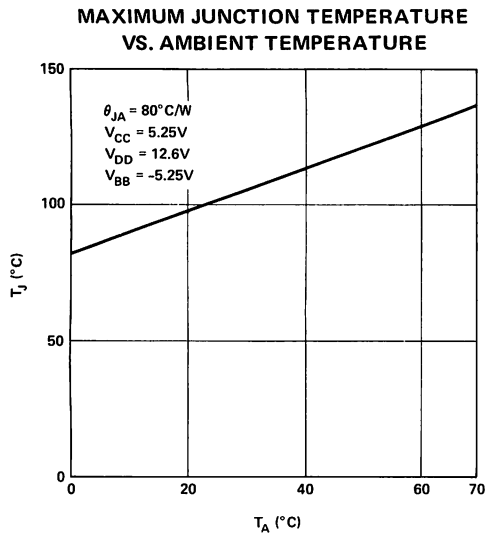
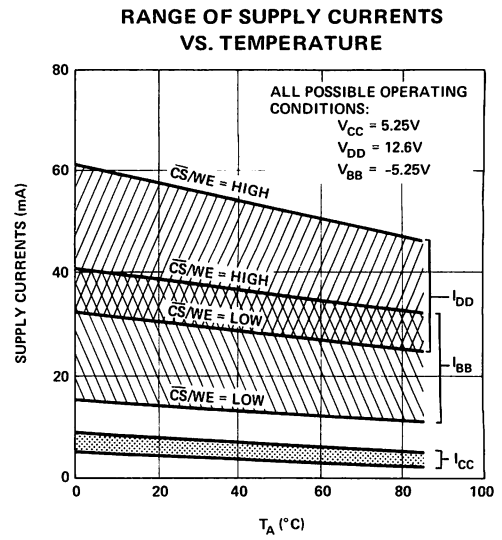
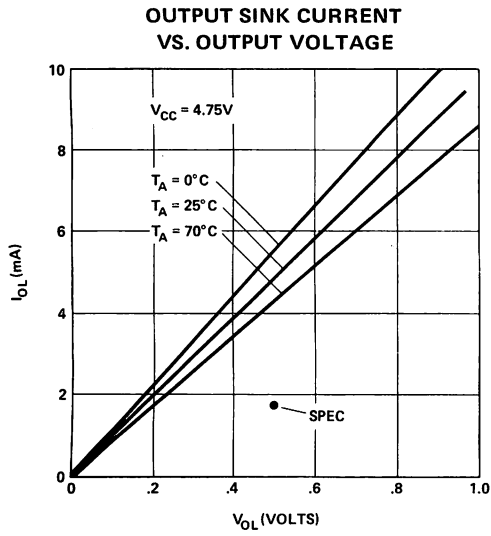
$\overline{CS}/WE = +12V$



B) Read/Program/Read Transitions



Typical Characteristics (Nominal supply voltages unless otherwise noted):





Silicon Gate MOS 8302

2048 BIT MASK PROGRAMMABLE READ ONLY MEMORY

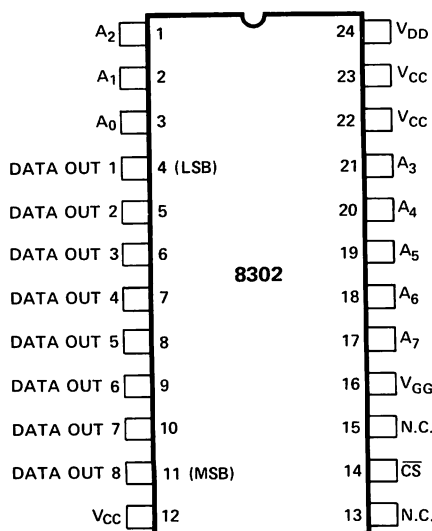
- Access Time — 1 μ sec Max.
- Fully Decoded, 256 x 8 Organization
- Inputs and Outputs TTL Compatible
- Three-State Output — OR-Tie Capability
- Static MOS — No Clocks Required
- Simple Memory Expansion — Chip Select Input Lead
- 24-Pin Dual-In-Line Hermetically Sealed Ceramic Package

The Intel[®] 8302 is a fully decoded 256 word by 8 bit metal mask ROM. It is ideal for large volume production runs of microcomputer systems initially using the 8702A erasable and electrically programmable ROM. The 8302 has the same pinning as the 8702A.

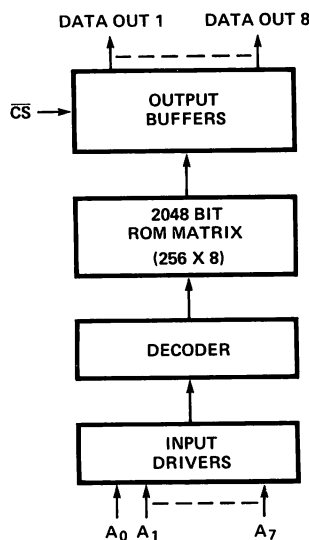
The 8302 is entirely static — no clocks are required. Inputs and outputs of the 8302 are TTL compatible. The output is three-state for OR-tie capability. A separate chip select input allows easy memory expansion. The 8302 is packaged in a 24 pin dual-in-line hermetically sealed ceramic package.

The 8302 is fabricated with p-channel silicon gate technology. This low threshold allows the design and production of higher performance MOS circuits and provides a higher functional density on a monolithic chip than conventional MOS technologies.

PIN CONFIGURATION



BLOCK DIAGRAM



PIN NAMES

A ₀ -A ₇	ADDRESS INPUTS
\overline{CS}	CHIP SELECT INPUT
DO ₁ -DO ₈	DATA OUTPUTS

Absolute Maximum Ratings*

Ambient Temperature Under Bias 0°C to +70°C
 Storage Temperature -65°C to +125°C
 Soldering Temperature of Leads (10 sec) +300°C
 Power Dissipation 2 Watts
 Input Voltages and Supply
 Voltages with respect to V_{CC} +0.5V to -20V

*COMMENT

Stresses above those listed under "Absolute Maximum Ratings" may cause permanent damage to the device. This is a stress rating only and functional operation of the device at these or at any other condition above those indicated in the operational sections of this specification is not implied. Exposure to Absolute Maximum Rating conditions for extended periods may affect device reliability.

READ OPERATION

D.C. and Operating Characteristics

$T_A = 0^\circ\text{C}$ to 70°C , $V_{CC} = +5V \pm 5\%$, $V_{DD} = -9V \pm 5\%$, $V_{GG}^{(1)} = -9V \pm 5\%$, unless otherwise noted.

SYMBOL	TEST	MIN.	TYP ⁽²⁾	MAX.	UNIT	CONDITIONS
I_{LI}	Address and Chip Select Input Load Current			1	μA	$V_{IN} = 0.0V$
I_{LO}	Output Leakage Current			1	μA	$V_{OUT} = 0.0V, \overline{CS} = V_{CC} - 2$
I_{DD0}	Power Supply Current		5	10	mA	$V_{GG} = V_{CC}, \overline{CS} = V_{CC} - 2$ $I_{OL} = 0.0\text{mA}, T_A = 25^\circ\text{C}$
I_{DD1}	Power Supply Current		35	50	mA	$\overline{CS} = V_{CC} - 2$ $I_{OL} = 0.0\text{mA}, T_A = 25^\circ\text{C}$
I_{DD2}	Power Supply Current		32	46	mA	$\overline{CS} = 0.0$ $I_{OL} = 0.0\text{mA}, T_A = 25^\circ\text{C}$
I_{DD3}	Power Supply Current		38.5	60	mA	$\overline{CS} = V_{CC} - 2$ $I_{OL} = 0.0\text{mA}, T_A = 0^\circ\text{C}$
I_{CF1}	Output Clamp Current		8	14	mA	$V_{OUT} = -1.0V, T_A = 0^\circ\text{C}$
I_{CF2}	Output Clamp Current			13	mA	$V_{OUT} = -1.0V, T_A = 25^\circ\text{C}$
I_{GG}	Gate Supply Current			1	μA	
V_{IL1}	Input Low Voltage for TTL Interface	-1.0		0.65	V	
V_{IL2}	Input Low Voltage for MOS Interface	V_{DD}		$V_{CC} - 6$	V	
V_{IH}	Address and Chip Select Input High Voltage	$V_{CC} - 2$		$V_{CC} + 0.3$	V	
I_{OL}	Output Sink Current	1.6	4		mA	$V_{OUT} = 0.45V$
I_{OH}	Output Source Current	-2.0			mA	$V_{OUT} = 0.0V$
V_{OL}	Output Low Voltage		-0.7	0.45	V	$I_{OL} = 1.6\text{mA}$
V_{OH}	Output High Voltage	3.5	4.5		V	$I_{OH} = -100\mu\text{A}$

Continuous Operation

Note 1. V_{GG} may be clocked to reduce power dissipation. In this mode average I_{DD} increases in proportion to V_{GG} duty cycle.
 Note 2. Typical values are at nominal voltages and $T_A = 25^\circ\text{C}$.

A.C. Characteristics

$T_A = 0^\circ\text{C}$ to $+70^\circ\text{C}$, $V_{CC} = +5\text{V} \pm 5\%$, $V_{DD} = -9\text{V} \pm 5\%$, $V_{GG} = -9\text{V} \pm 5\%$ unless otherwise noted

SYMBOL	TEST	MINIMUM	TYPICAL	MAXIMUM	UNIT
Freq.	Repetition Rate			1	MHz
t_{OH}	Previous read data valid			100	ns
t_{ACC}	Address to output delay		.700	1	μs
$t_{DV_{GG}}$	Clocked V_{GG} set up	1			μs
t_{CS}	Chip select delay			200	ns
t_{CO}	Output delay from \overline{CS}			500	ns
t_{OD}	Output deselect			300	ns
t_{OHC}	Data out hold in clocked V_{GG} mode (Note 1)			5	μs

Note 1. The output will remain valid for t_{OHC} as long as clocked V_{GG} is at V_{CC} . An address change may occur as soon as the output is sensed (clocked V_{GG} may still be at V_{CC}). Data becomes invalid for the old address when clocked V_{GG} is returned to V_{GG} .

Capacitance* $T_A = 25^\circ\text{C}$

SYMBOL	TEST	MINIMUM	TYPICAL	MAXIMUM	UNIT	CONDITIONS
C_{IN}	Input Capacitance		5	10	pF	$V_{IN} = V_{CC}$ $\overline{CS} = V_{CC}$ $V_{OUT} = V_{CC}$ $V_{GG} = V_{CC}$
C_{OUT}	Output Capacitance		5	10	pF	
$C_{V_{GG}}$	V_{GG} Capacitance (Clocked V_{GG} Mode)			30	pF	

All unused pins are at A.C. ground

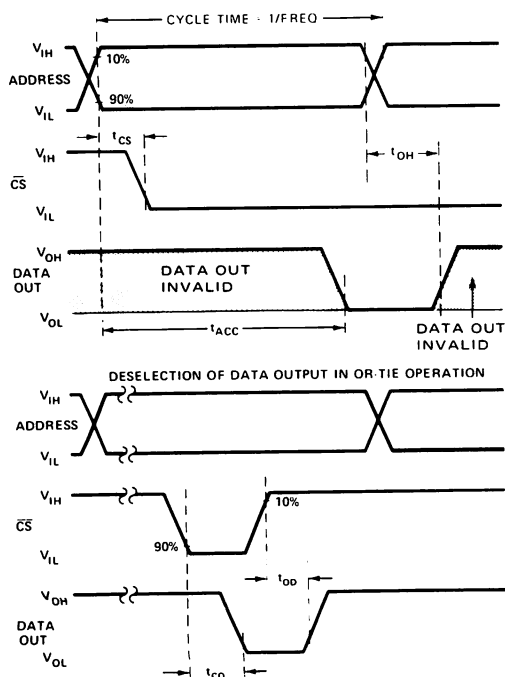
*This parameter is periodically sampled and is not 100% tested.

Switching Characteristics

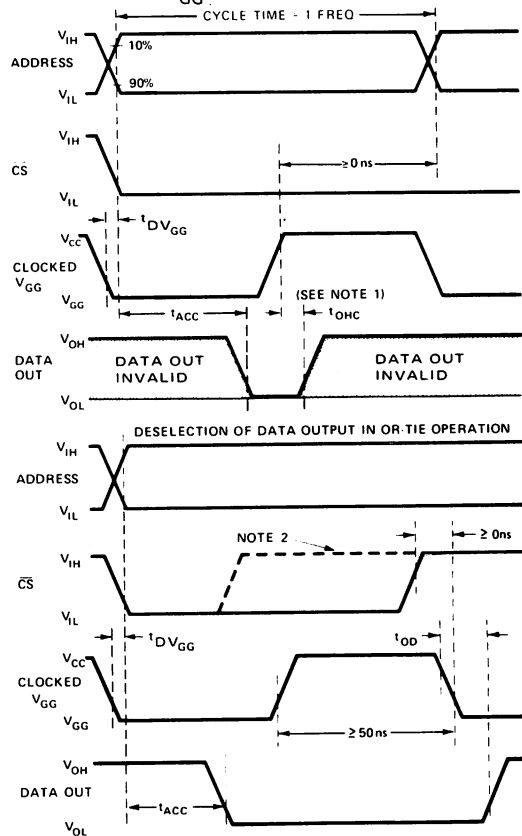
Conditions of Test:

Input pulse amplitudes: 0 to 4V; $t_R, t_F \leq 50$ ns
 Output load is 1 TTL gate; measurements made at output of TTL gate ($t_{PD} \leq 15$ ns)

A) Constant V_{GG} Operation



B) Clocked V_{GG} Operation

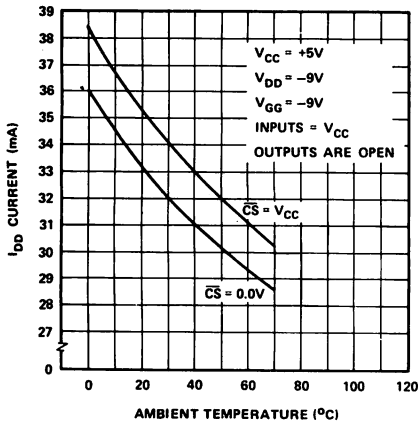


NOTE 1: The output will remain valid for t_{OHC} as long as clocked V_{GG} is at V_{CC} . An address change may occur as soon as the output is sensed (clocked V_{GG} may still be at V_{CC}). Data becomes invalid for the old address when clocked V_{GG} is returned to V_{GG} .

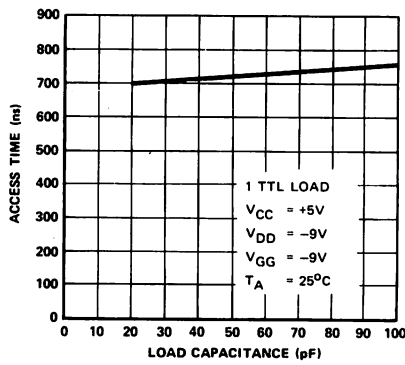
NOTE 2: If \overline{CS} makes a transition from V_{IL} to V_{IH} while clocked V_{GG} is at V_{GG} , then deselection of output occurs at t_{OD} as shown in static operation with constant V_{GG} .

Typical Characteristics

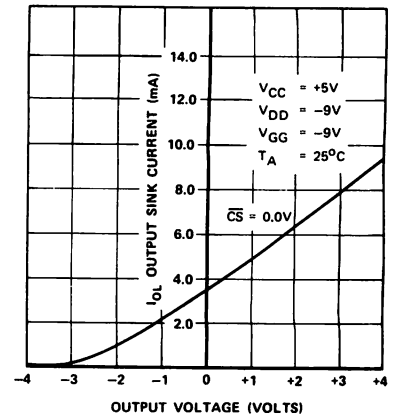
I_{DD} CURRENT VS. TEMPERATURE



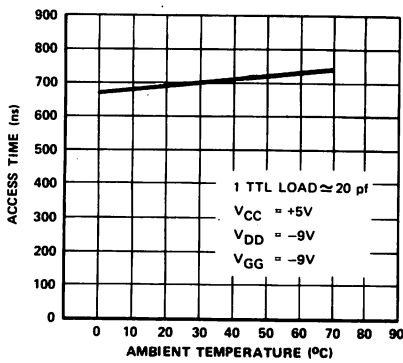
ACCESS TIME VS. LOAD CAPACITANCE



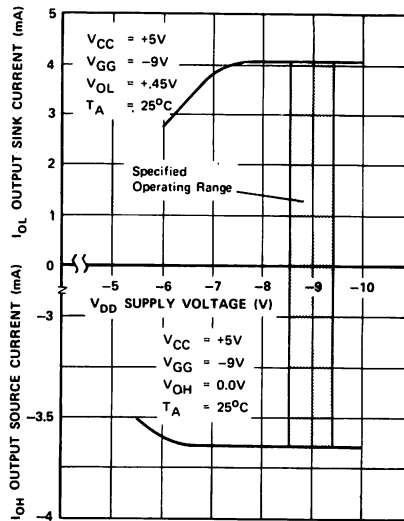
OUTPUT SINK CURRENT VS. OUTPUT VOLTAGE



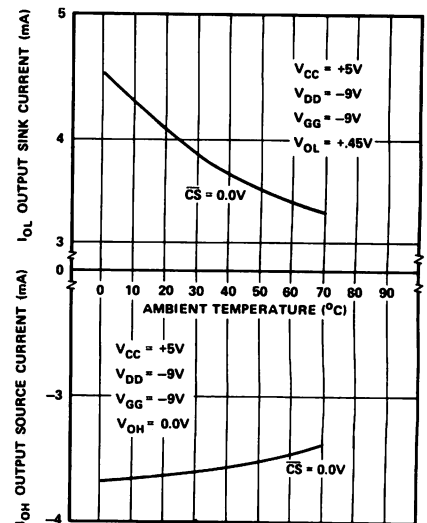
ACCESS TIME VS. TEMPERATURE



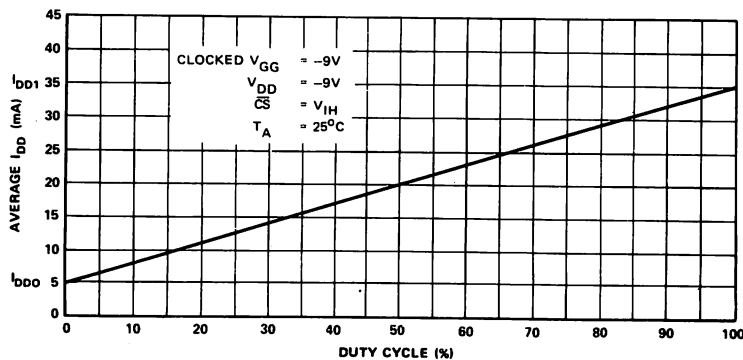
OUTPUT CURRENT VS. V_{DD} SUPPLY VOLTAGE



OUTPUT CURRENT VS. TEMPERATURE



AVERAGE CURRENT VS. DUTY CYCLE FOR CLOCKED V_{GG}





Silicon Gate MOS 8308

8192 BIT STATIC MOS READ ONLY MEMORY Organization -- 1024 Words x 8 Bits

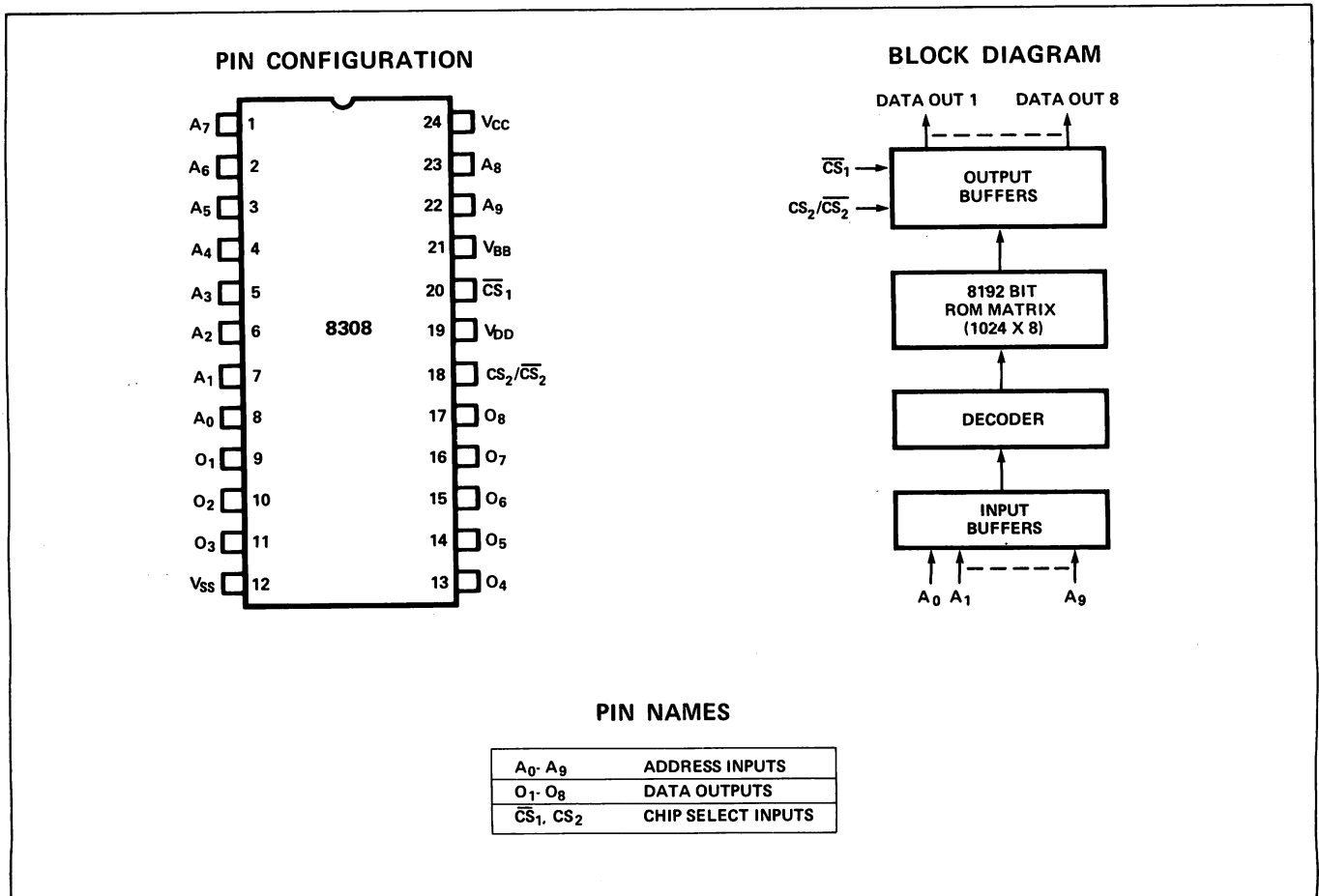
- Fast Access – 450 ns
- Directly Compatible with 8080 CPU at Maximum Processor Speed
- Two Chip Select Inputs for Easy Memory Expansion
- Directly TTL Compatible – All Inputs and Outputs
- Three State Output – OR-Tie Capability
- Fully Decoded
- Standard Power Supplies +12V DC, ±5V DC

The Intel® 8308 is an 8,192 bit static MOS mask programmable Read Only Memory organized as 1024 words by 8-bits. This ROM is designed for 8080 microcomputer system applications where high performance, large bit storage, and simple interfacing are important design objectives. The inputs and outputs are fully TTL compatible.

A pin for pin compatible electrically programmed erasable ROM, the Intel® 8708, is available for system development and small quantity production use.

Two Chip Selects are provided – \overline{CS}_1 which is negative true, and CS_2/\overline{CS}_2 which may be programmed either negative or positive true at the mask level.

The 8308 read only memory is fabricated with N-channel silicon gate technology. This technology provides the designer with high performance, easy-to-use MOS circuits.



SILICON GATE MOS 8308

Absolute Maximum Ratings*

Ambient Temperature Under Bias	-25°C to +85°C
Storage Temperature	-65°C to +150°C
Voltage On Any Pin With Respect To V_{BB}	-0.3V to 20V
Power Dissipation	1.0 Watt

*COMMENT

Stresses above those listed under "Absolute Maximum Ratings" may cause permanent damage to the device. This is a stress rating only and functional operation of the device at these or any other conditions above those indicated in the operational sections of this specification is not implied. Exposure to absolute maximum rating conditions for extended periods may affect device reliability.

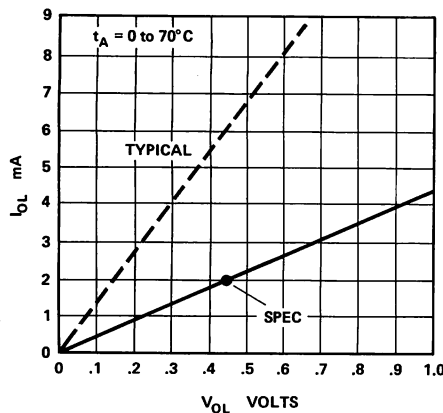
D.C. and Operating Characteristics

$T_A = 0^\circ\text{C}$ to $+70^\circ\text{C}$, $V_{CC} = 5\text{V} \pm 5\%$; $V_{DD} = 12\text{V} \pm 5\%$, $V_{BB} = -5\text{V} \pm 5\%$, $V_{SS} = 0\text{V}$ Unless Otherwise Specified.

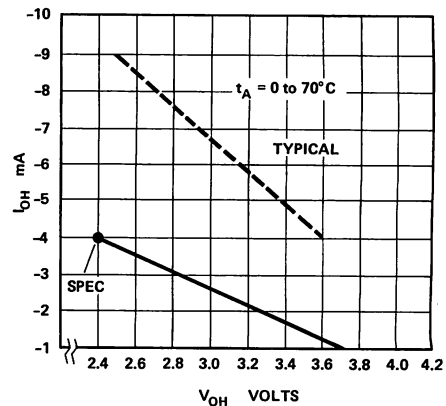
Symbol	Parameter	Limits			Unit	Test Conditions
		Min.	Typ.[1]	Max.		
I_{LI}	Input Load Current (All Input Pins Except \overline{CS}_1)			10	μA	$V_{IN} = 0$ to 5.25V
I_{LCL}	Input Load Current on \overline{CS}_1			1.6	mA	$V_{IN} = 0.45\text{V}$
I_{LPC}	Input Peak Load Current on \overline{CS}_1			4	mA	$V_{IN} = 0.8\text{V}$ to 3.3V
I_{LKC}	Input Leakage Current on \overline{CS}_1			10	μA	$V_{IN} = 3.3\text{V}$ to 5.25V
I_{LO}	Output Leakage Current			10	μA	Chip Deselected
V_{IL}	Input "Low" Voltage	$V_{SS}-1$		0.8V	V	
V_{IH}	Input "High" Voltage	3.3		$V_{CC}+1.0$	V	
V_{OL}	Output "Low" Voltage			0.45	V	$I_{OL} = 2\text{mA}$
V_{OH1}	Output "High" Voltage	2.4			V	$I_{OH} = -4\text{mA}$
V_{OH2}	Output "High" Voltage	3.7			V	$I_{OH} = -1\text{mA}$
I_{CC}	Power Supply Current V_{CC}		.8	2	mA	
I_{DD}	Power Supply Current V_{DD}		32	60	mA	
I_{BB}	Power Supply Current V_{BB}		$10\mu\text{A}$	1	mA	
P_D	Power Dissipation			775	mW	

NOTE 1: Typical values for $T_A = 25^\circ\text{C}$ and nominal supply voltage

D.C. OUTPUT CHARACTERISTICS



D.C. OUTPUT CHARACTERISTICS



SILICON GATE MOS 8308

A.C. Characteristics

$T_A = 0^\circ\text{C}$ to $+70^\circ\text{C}$, $V_{CC} = +5\text{V} \pm 5\%$; $V_{DD} = +12\text{V} \pm 5\%$, $V_{BB} = -5\text{V} \pm 5\%$, $V_{SS} = 0\text{V}$, Unless Otherwise Specified.

Symbol	Parameter	Limits ^[2]			Unit
		Min.	Typ.	Max.	
t_{ACC}	Address to Output Delay Time		200	450	ns
t_{CO1}	Chip Select 1 to Output Delay Time		85	160	ns
t_{CO2}	Chip Select 2 to Output Delay Time		125	220	ns
t_{DF}	Chip Deselect to Output Data Float Time		125	220	ns

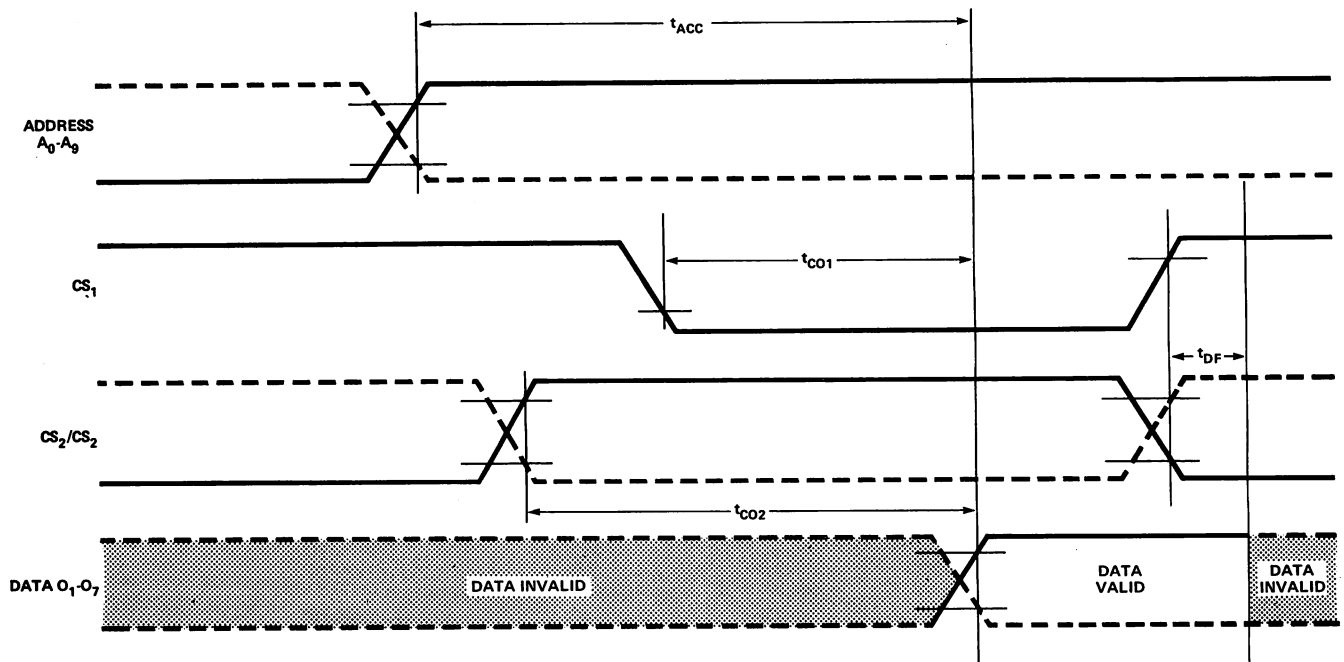
NOTE 2: Refer to conditions of Test for A.C. Characteristics. Add 50 nanoseconds (worst case) to specified values at $V_{OH} = 3.7\text{V}$ @ $I_{OH} = -1\text{mA}$, $C_L = 100\text{pF}$.

CONDITIONS OF TEST FOR A.C. CHARACTERISTICS

Output Load 1 TTL Gate, and $C_{LOAD} = 100\text{pF}$
 Input Pulse Levels65V to 3.3V
 Input Pulse Rise and Fall Times 20 nsec
 Timing Measurement Reference Level
2.4V V_{IH} , V_{OH} ; 0.8V V_{IL} , V_{OL}

CAPACITANCE $T_A = 25^\circ\text{C}$, $f = 1\text{MHz}$, $V_{BB} = -5\text{V}$, V_{DD} , V_{CC} and all other pins tied to V_{SS} .

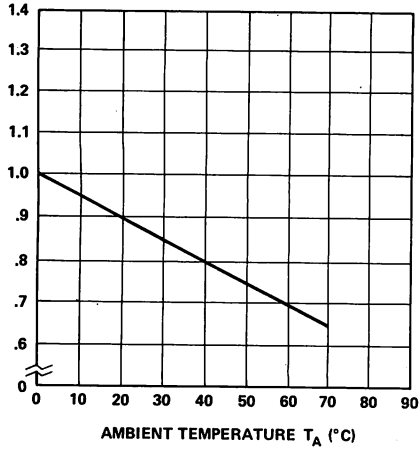
Symbol	Test	Limits	
		Typ.	Max.
C_{IN}	Input Capacitance		6pF
C_{OUT}	Output Capacitance		12pF



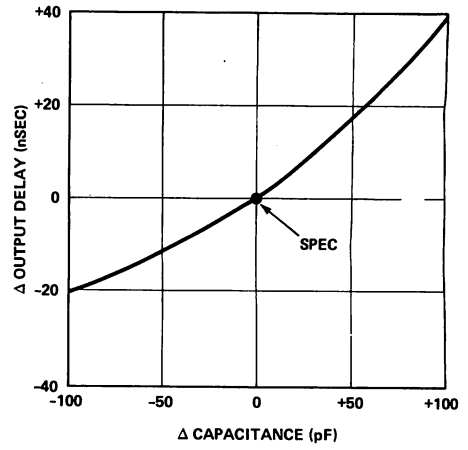
SILICON GATE MOS 8308

Typical Characteristics (Nominal supply voltages unless otherwise noted.)

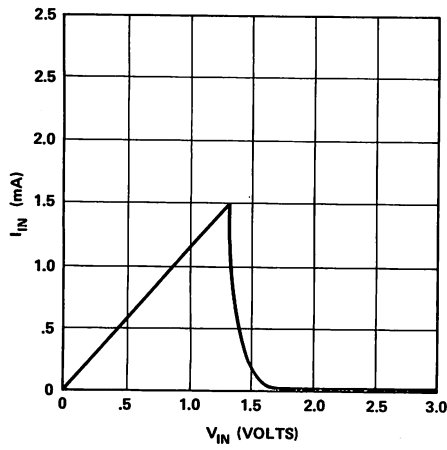
**I_{DD} VS. TEMPERATURE
(NORMALIZED)**



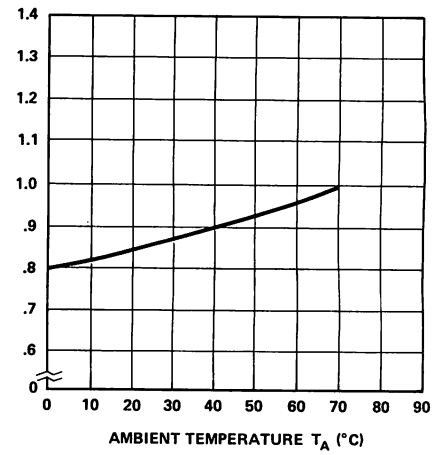
**Δ OUTPUT CAPACITANCE
VS. Δ OUTPUT DELAY**



**\overline{CS}_1 INPUT
CHARACTERISTICS**



**T_{ACC} VS. TEMPERATURE
(NORMALIZED)**





MCS™ CUSTOM ROM ORDER FORM

8308 ROM

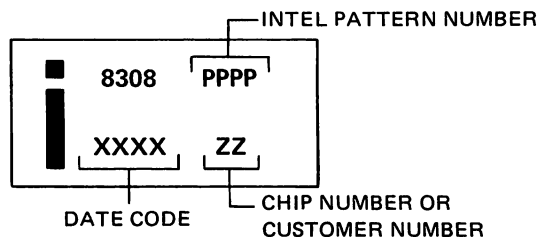
CUSTOMER _____	
P.O. NUMBER _____	
DATE _____	
For Intel use only	
S# _____	PPPP _____
STD _____	ZZ _____
_____	DD _____
APP _____	DATE _____

All custom 8308 ROM orders must be submitted on this form. Programming information should be sent in the form of computer punched cards or punched paper tape per the formats designated on this order form. Additional forms are available from Intel.

MARKING

The marking as shown at the right must contain the Intel® logo, the product type (P8308), the 4-digit Intel pattern number (PPPP), a date code (XXXX), and the 2-digit chip number (DD). An optional customer identification number may be substituted for the chip number (ZZ). Optional Customer Number (maximum 9 characters or spaces).

CUSTOMER NUMBER _____



MASK OPTION SPECIFICATIONS

A. CHIP NUMBER (CHIP SELECT OPTION)

Must be specified 0 or 1.

The chip number will be coded in terms of positive logic where a logic "1" is high level input.

Chip Select Truth Table

Chip Number	$\overline{CS1}$	CS2	Selected
0	0	0	Yes
1	0	1	Yes
0	1	0	No
1	1	1	No

Chip Number _____

B. ROM Truth Table Format

Programming information should be sent in the form of computer punched cards or punched paper tape. In either case, a printout of the truth table should be accompanied with the order.

The following general format is applicable to the programming information sent to Intel:

- Data fields should be ordered beginning with the least significant address (0000) and ending with the most significant address (1023).
- A data field should start with the most significant bit and end with the least significant bit.

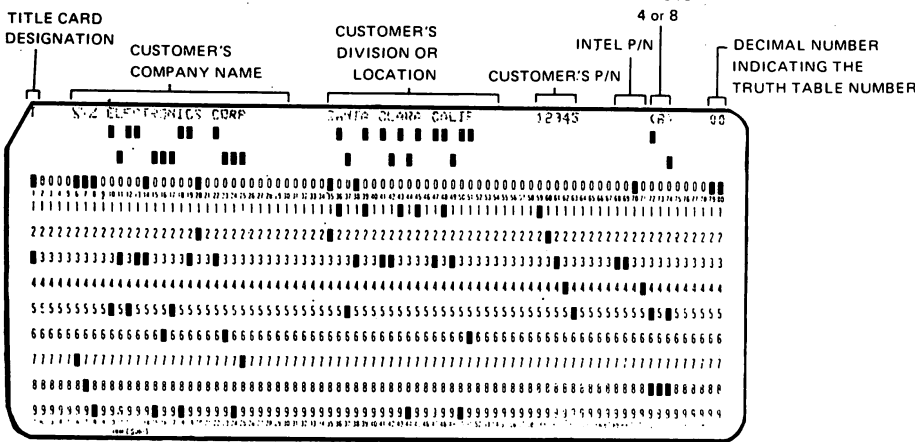
- The data field should consist of P's and N's. A P is to indicate a high level output (most positive) and an N a low level output (most negative). In terms of positive logic, a P is defined as a logic "1" and an N is defined as a logic "0". If the programming information is sent on a punched paper tape, then a start character, B, and an end character, F, must be used in the data field. See paragraph 2.

1. Punched Card Format

An 80-column Hollerith card (preferably interpreted) punched by an IBM 026 or 029 keypunch should be submitted. The first card will be a title card; the format is as follows:

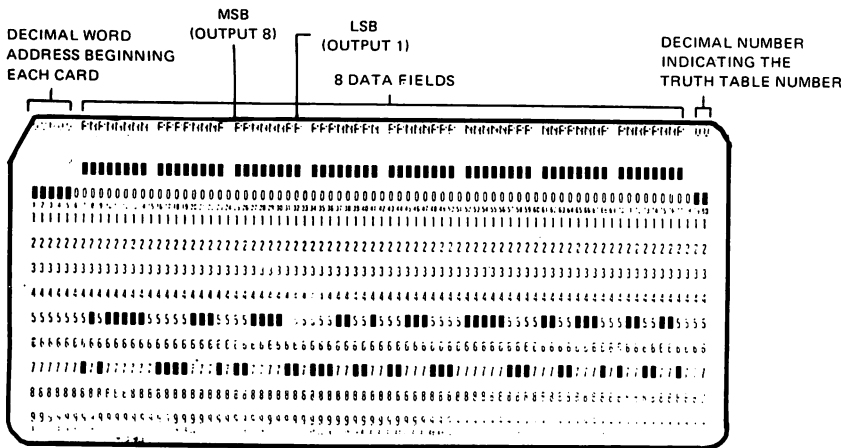
MCS™ CUSTOM ROM ORDER FORM 8308

a. Title Card



Column	Data
1	Punch a T
2-5	Blank
6-30	Customer Company Name
31-34	Blank
35-54	Customer's Company Division or location
55-57	Blank
58-66	Customer Part Number
67	Blank
68-75	Punch the Intel 4-digit basic part number and in () the number of output bits, e.g., 8308(8).
76-78	Blank
79-80	Punch a 2-digit decimal number to identify the truth table number (mask programmed chip select number).

b. For a 1024 word X 8-bit organization only, cards 2 and the following cards should be punched as shown.



Column	Data
1-5	Punch the 5-digit decimal equivalent of the binary coded location which begins each card. The address is right justified, i.e., 00000, 00008, 00016, etc.
6	Blank
7-14	Data Field
15	Blank
16-23	Data Field
33	Blank
34-41	Data Field
42	Blank
43-50	Data Field
51	Blank
52-59	Data Field
60	Blank
61-68	Data Field
69	Blank
70-77	Data Field
78	Blank
79-80	Punch same 2-digit decimal number as in title card.

2. Paper Tape Format

1" wide paper tape using 7- or 8-bit ASCII code, such as a model 33 ASR teletype produces, or the 11/16" wide paper tape using a 5-bit Baudot code, such as a Telex produces.

The format requirements are as follows:

a. All word fields are to be punched in consecutive order, starting with word field 0 (all addresses low). There must be exactly 1024 word fields for the 1024 X 8 ROM organization.

b. Each word field must begin with the start character B and end with the stop character F. There must be exactly 8 data characters between the B and F.

NO OTHER CHARACTERS, SUCH AS RUBOUTS, ARE ALLOWED ANYWHERE IN A WORD FIELD. If in preparing a tape an error is made, the entire word field, including the B and F, must be rubbed out. Within the word field, a P results in a high level output and an N results in a low level output.

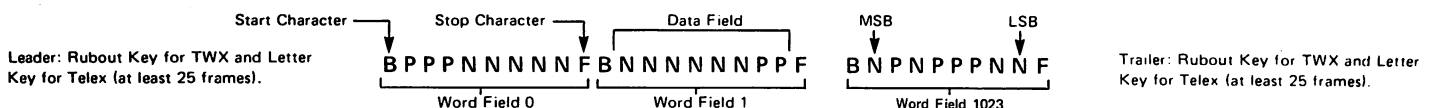
c. Preceding the first word field and following the last word field, there must be a leader/trailer length of at least 25 characters. This should consist of rubout or null punches (letter key for Telex tapes).

d. Between word fields, comments not containing B's or F's may be inserted. Carriage return and line feed characters should be inserted as a "comment"

just before each word field (or at least between every four word fields). When these carriage returns, etc., are inserted, the tape may be easily listed on the teletype for purposes of error checking. The customer may also find it helpful to insert the word number (as a comment) at least every four word fields.

e. Included in the tape before the leader should be the customer's complete Telex or TWX number and, if more than one pattern is being transmitted, the ROM pattern number.

f. MSB and LSB are the most and least significant bit of the device outputs. Refer to the data sheet for the pin numbers.





Silicon Gate MOS ROM 8316A

16,384 BIT STATIC MOS READ ONLY MEMORY

Organization—2048 Words x 8 Bits

Access Time-850 ns max

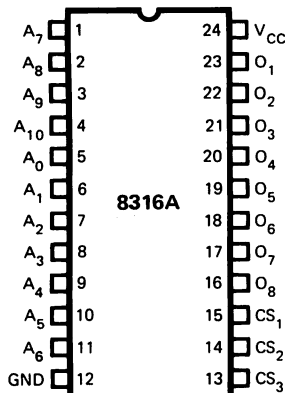
- **Single +5 Volts Power Supply Voltage**
- **Directly TTL Compatible — All Inputs and Outputs**
- **Low Power Dissipation of 31.4 μ W/Bit Maximum**
- **Three Programmable Chip Select Inputs for Easy Memory Expansion**
- **Three-State Output — OR-Tie Capability**
- **Fully Decoded — On Chip Address Decode**
- **Inputs Protected — All Inputs Have Protection Against Static Charge**

The Intel[®] 8316A is a 16,384-bit static MOS read only memory organized as 2048 words by 8 bits. This ROM is designed for microcomputer memory applications where high performance, large bit storage, and simple interfacing are important design objectives.

The inputs and outputs are fully TTL compatible. This device operates with a single +5V power supply. The three chip select inputs are programmable. Any combination of active high or low level chip select inputs can be defined and the desired chip select code is fixed during the masking process. These three programmable chip select inputs, as well as OR-tie compatibility on the outputs, facilitate easy memory expansion.

The 8316A read only memory is fabricated with N-channel silicon gate technology. This technology provides the designer with high performance, easy-to-use MOS circuits. Only a single +5V power supply is needed and all devices are directly TTL compatible.

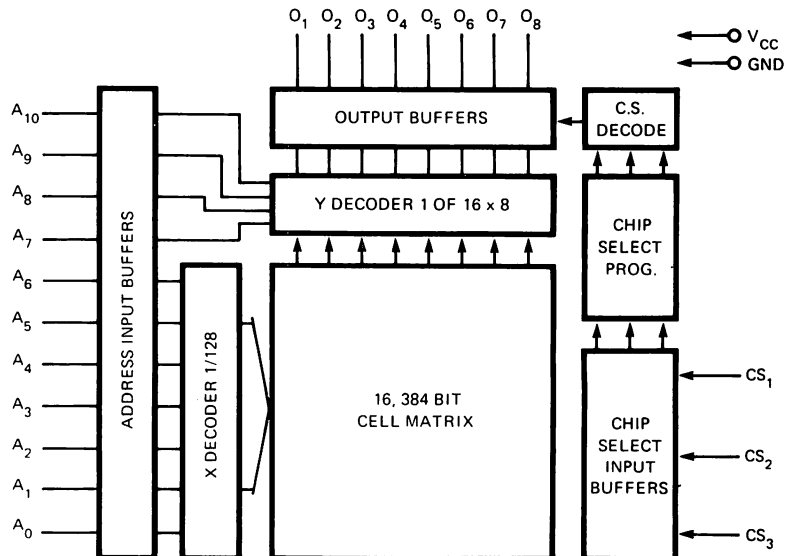
PIN CONFIGURATION



PIN NAMES

A ₀ -A ₁₀	ADDRESS INPUTS
O ₁ -O ₈	DATA OUTPUTS
CS ₁ -CS ₃	PROGRAMMABLE CHIP SELECT INPUTS

BLOCK DIAGRAM



SILICON GATE MOS ROM 8316A

ABSOLUTE MAXIMUM RATINGS*

Ambient Temperature Under Bias 0°C to 70°C
Storage Temperature -65°C to +150°C
Voltage On Any Pin With Respect To Ground -0.5V to +7V
Power Dissipation 1.0 Watt

*COMMENT: Stresses above those listed under "Absolute Maximum Ratings" may cause permanent damage to the device. This is a stress rating only and functional operation of the device at these or any other conditions above those indicated in the operational sections of this specification is not implied. Exposure to absolute maximum rating conditions for extended periods may affect device reliability.

D.C. AND OPERATING CHARACTERISTICS

T_A = 0°C to +70°C, V_{CC} = 5V ±5% unless otherwise specified

SYMBOL	PARAMETER	LIMITS			UNIT	TEST CONDITIONS
		MIN.	TYP. ⁽¹⁾	MAX.		
I _{LI}	Input Load Current (All Input Pins)			10	μA	V _{IN} = 0 to 5.25V
I _{LOH}	Output Leakage Current			10	μA	CS = 2.2V, V _{OUT} = 4.0V
I _{LOL}	Output Leakage Current			-20	μA	CS = 2.2V, V _{OUT} = 0.45V
I _{CC}	Power Supply Current		40	98	mA	All inputs 5.25V Data Out Open
V _{IL}	Input "Low" Voltage	-0.5		0.8	V	
V _{IH}	Input "High" Voltage	2.0		V _{CC} +1.0V	V	
V _{OL}	Output "Low" Voltage			0.45	V	I _{OL} = 2.0 mA
V _{OH}	Output "High" Voltage	2.2			V	I _{OH} = -100 μA

(1) Typical values for T_A = 25°C and nominal supply voltage.

A.C. CHARACTERISTICS

T_A = 0°C to +70°C, V_{CC} = +5V ±5% unless otherwise specified

SYMBOL	PARAMETER	LIMITS			UNIT
		MIN.	TYP. ⁽¹⁾	MAX.	
t _A	Address to Output Delay Time		400	850	nS
t _{CO}	Chip Select to Output Enable Delay Time			300	nS
t _{DF}	Chip Deselect to Output Data Float Delay Time	0		300	nS

CONDITIONS OF TEST FOR A.C. CHARACTERISTICS

Output Load . . . 1 TTL Gate, and C_{LOAD} = 100 pF
 Input Pulse Levels 0.8 to 2.0V
 Input Pulse Rise and Fall Times . (10% to 90%) 20 nS
 Timing Measurement Reference Level
 Input 1.5V
 Output 0.45V to 2.2V

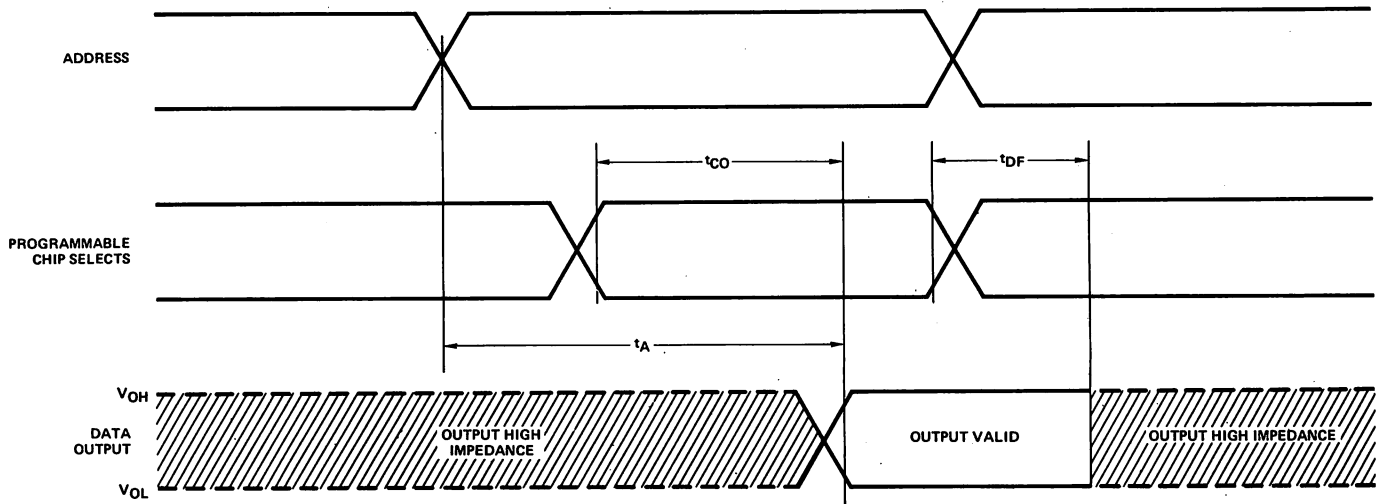
CAPACITANCE⁽²⁾ T_A = 25°C, f = 1 MHz

SYMBOL	TEST	LIMITS	
		TYP.	MAX.
C _{IN}	All Pins Except Pin Under Test Tied to AC Ground	4 pF	10 pF
C _{OUT}	All Pins Except Pin Under Test Tied to AC Ground	8 pF	15 pF

(2) This parameter is periodically sampled and is not 100% tested.

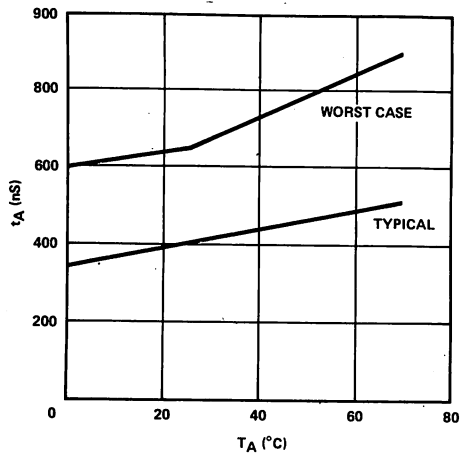
SILICON GATE MOS ROM 8316A

WAVEFORMS

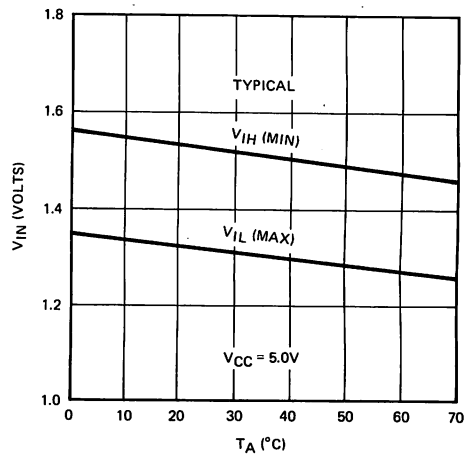


TYPICAL D.C. CHARACTERISTICS

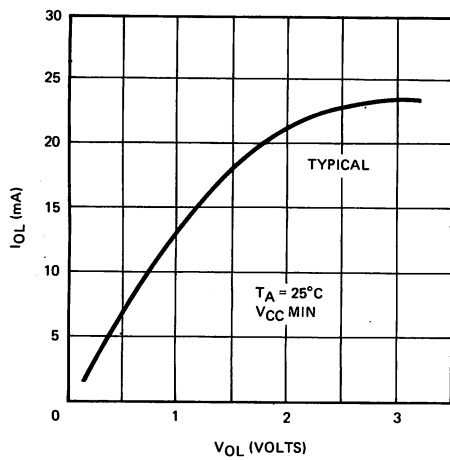
ACCESS TIME VS. AMBIENT TEMPERATURE



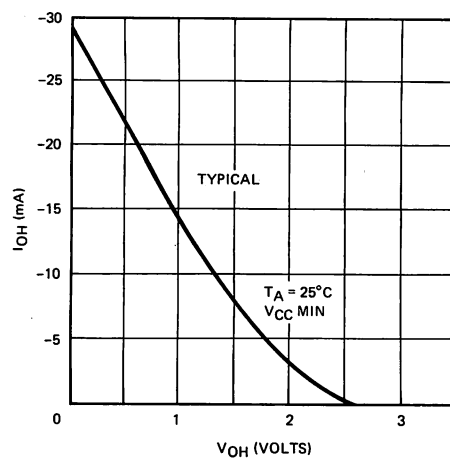
V_{IN} LIMITS VS. TEMPERATURE



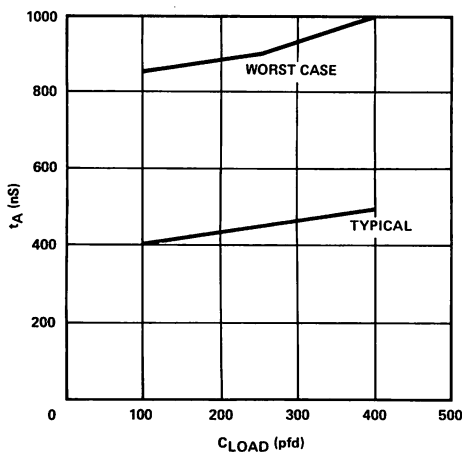
OUTPUT SINK CURRENT VS. OUTPUT VOLTAGE



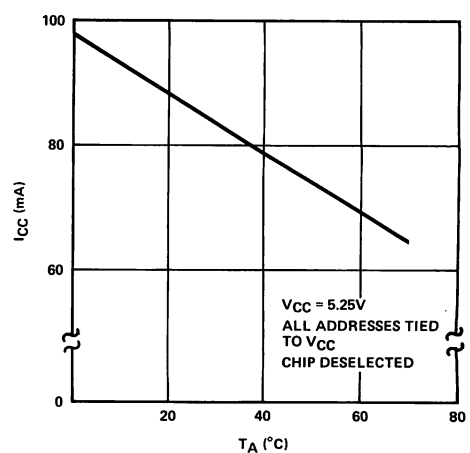
OUTPUT SOURCE CURRENT VS. OUTPUT VOLTAGE



ACCESS TIME VS. LOAD CAPACITANCE



STATIC I_{CC} VS. AMBIENT TEMPERATURE WORST CASE





MCS™ CUSTOM ROM ORDER FORM

8316A ROM

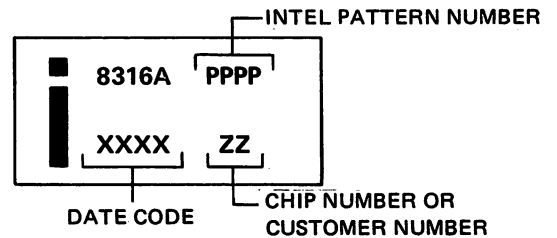
CUSTOMER _____	
P.O. NUMBER _____	
DATE _____	
For Intel use only	
S# _____	PPPP _____
STD _____	ZZ _____
_____	DD _____
APP _____	DATE _____

All custom 8316A ROM orders must be submitted on this form. Programming information should be sent in the form of computer punched cards or punched paper tape per the formats designated on this order form. Additional forms are available from Intel.

MARKING

The marking as shown at the right must contain the Intel® logo, the product type (P8316A), the 4-digit Intel pattern number (PPPP), a date code (XXXX), and the 2-digit chip number (DD). An optional customer identification number may be substituted for the chip number (ZZ). Optional Customer Number (maximum 9 characters or spaces).

CUSTOMER NUMBER _____



MASK OPTION SPECIFICATIONS

A. CHIP NUMBER _____ (Must be specified—any number from 0 through 7—DD).

The chip number will be coded in terms of positive logic where a logic "1" is a high level input.

Chip Number	CS3	CS2	CS1
0	0	0	0
1	0	0	1
2	0	1	0
3	0	1	1
4	1	0	0
5	1	0	1
6	1	1	0
7	1	1	1

B. ROM Truth Table Format

Programming information should be sent in the form of computer punched cards or punched paper tape. In either case, a printout of the truth table should be accompanied with the order.

The following general format is applicable to the programming information sent to Intel:

- Data fields should be ordered beginning with the least significant address (0000) and ending with the most significant address (2047).
- A data field should start with the most significant bit and end with the least significant bit.

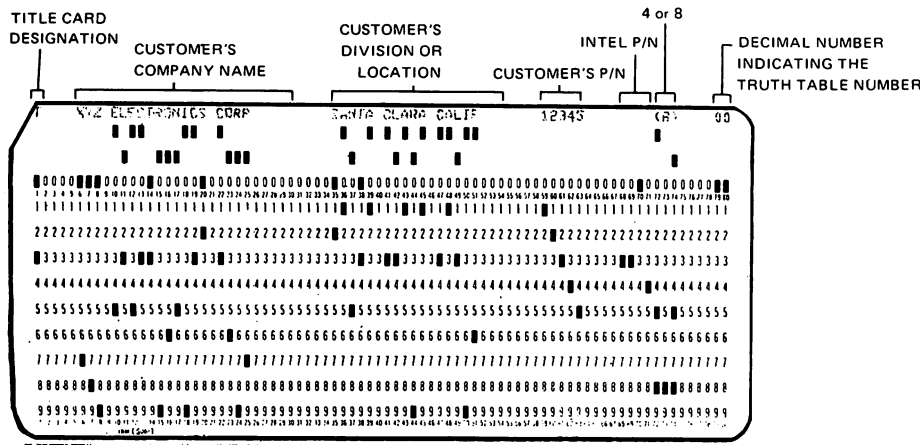
- The data field should consist of P's and N's. A P is to indicate a high level output (most positive) and an N a low level output (most negative). In terms of positive logic, a P is defined as a logic "1" and an N is defined as a logic "0". If the programming information is sent on a punched paper tape, then a start character, B, and an end character, F, must be used in the data field.

1. Punched Card Format

An 80-column Hollerith card (preferably interpreted) punched by an IBM 026 or 029 keypunch should be submitted. The first card will be a title card; the format is as follows:

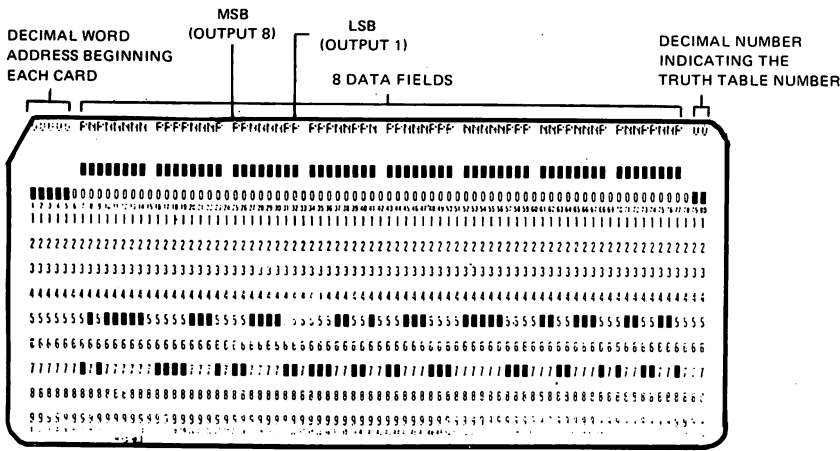
MCS™ CUSTOM ROM ORDER FORM

a. Title Card



Column	Data
1	Punch a T
2-5	Blank
6-30	Customer Company Name
31-34	Blank
35-54	Customer's Company Division or location
55-57	Blank
58-66	Customer Part Number
67	Blank
68-75	Punch the Intel 4-digit basic part number and in () the number of output bits, e.g., 8316A(8).
76-78	Blank
79-80	Punch a 2-digit decimal number to identify the truth table number (mask programmed chip select number).

b. For a 2048 word X 8-bit organization only, cards 2 and the following cards should be punched as shown.



Column	Data
1-5	Punch the 5-digit decimal equivalent of the binary coded location which begins each card. The address is right justified, i.e., 00000, 00008, 00016, etc.
6	Blank
7-14	Data Field
15	Blank
16-23	Data Field
33	Blank
34-41	Data Field
42	Blank
43-50	Data Field
51	Blank
52-59	Data Field
60	Blank
61-68	Data Field
69	Blank
70-77	Data Field
78	Blank
79-80	Punch same 2-digit decimal number as in title card.

2. Paper Tape Format

1" wide paper tape using 7- or 8-bit ASCII code, such as a model 33 ASR teletype produces, or the 11/16" wide paper tape using a 5-bit Baudot code, such as a Telex produces.

The format requirements are as follows:

a. All word fields are to be punched in consecutive order, starting with word field 0 (all addresses low). There must be exactly 2048 word fields for the 2048 X 8 ROM organization.

b. Each word field must begin with the start character B and end with the stop character F. There must be exactly 8 data characters between the B and F.

NO OTHER CHARACTERS, SUCH AS RUBOUTS, ARE ALLOWED ANYWHERE IN A WORD FIELD. If in preparing a tape an error is made, the entire word field, including the B and F, must be rubbed out. Within the word field, a P results in a high level output and an N results in a low level output.

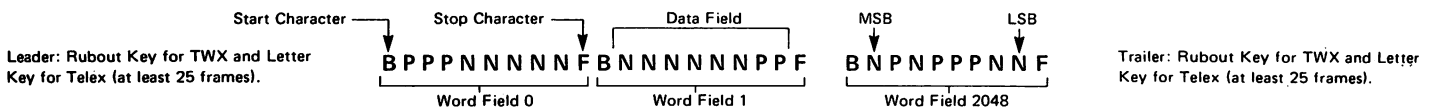
c. Preceding the first word field and following the last word field, there must be a leader/trailer length of at least 25 characters. This should consist of rubout or null punches (letter key for Telex tapes).

d. Between word fields, comments not containing B's or F's may be inserted. Carriage return and line feed characters should be inserted as a "comment"

just before each word field (or at least between every four word fields). When these carriage returns, etc., are inserted, the tape may be easily listed on the teletype for purposes of error checking. The customer may also find it helpful to insert the word number (as a comment) at least every four word fields.

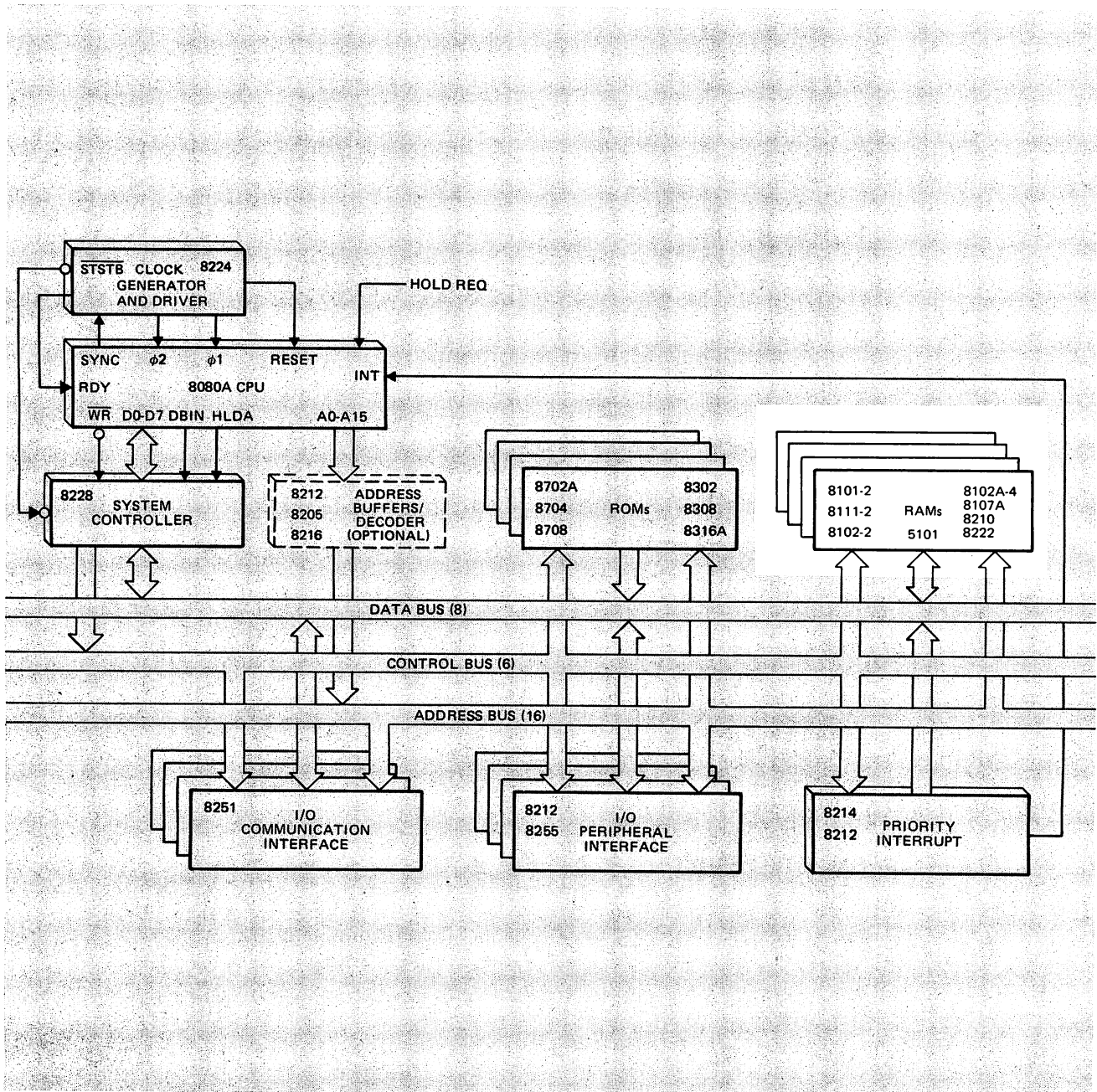
e. Included in the tape before the leader should be the customer's complete Telex or TWX number and, if more than one pattern is being transmitted, the ROM pattern number.

f. MSB and LSB are the most and least significant bit of the device outputs. Refer to the data sheet for the pin numbers.



RAMs

	8102-2	5101
8101-2	8102A-4	8210
8111-2	8107B-4	8222



1024 BIT (256 x 4) STATIC MOS RAM WITH SEPARATE I/O

- 256 x 4 Organization to Meet Needs for Small System Memories
- Access Time — 850 nsec Max.
- Single +5V Supply Voltage
- Directly TTL Compatible — All Inputs and Output
- Static MOS — No Clocks or Refreshing Required
- Simple Memory Expansion — Chip Enable Input
- Inputs Protected — All Inputs Have Protection Against Static Charge
- Low Cost Packaging — 22 Pin Plastic Dual-In-Line Configuration
- Low Power — Typically 150 mW
- Three-State Output — OR-Tie Capability
- Output Disable Provided for Ease of Use in Common Data Bus Systems

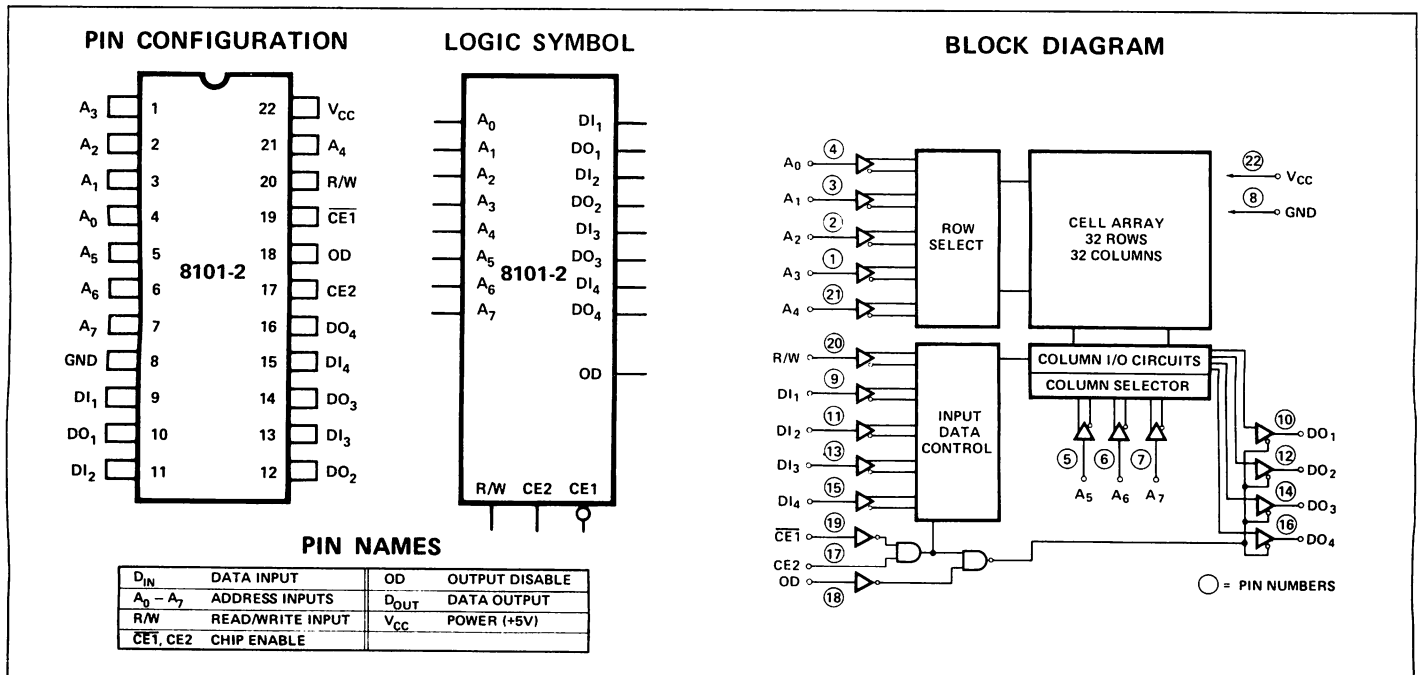
The Intel[®] 8101-2 is a 256 word by 4 bit static random access memory element using normally off N-channel MOS devices integrated on a monolithic array. It uses fully DC stable (static) circuitry and therefore requires no clocks or refreshing to operate. The data is read out nondestructively and has the same polarity as the input data.

The 8101-2 is designed for memory applications where high performance, low cost, large bit storage, and simple interfacing are important design objectives.

It is directly TTL compatible in all respects: inputs, outputs, and a single +5V supply. Two chip-enables allow easy selection of an individual package when outputs are OR-tied. An output disable is provided so that data inputs and outputs can be tied for common I/O systems. Output disable is then used to eliminate any bidirectional logic.

The Intel[®] 8101-2 is fabricated with N-channel silicon gate technology. This technology allows the design and production of high performance, easy-to-use MOS circuits and provides a higher functional density on a monolithic chip than either conventional MOS technology or P-channel silicon gate technology.

Intel's silicon gate technology also provides excellent protection against contamination. This permits the use of low cost silicone packaging.



Absolute Maximum Ratings*

Ambient Temperature Under Bias 0°C to 70°C
 Storage Temperature -65°C to +150°C
 Voltage On Any Pin
 With Respect to Ground -0.5V to +7V
 Power Dissipation 1 Watt

***COMMENT:**

Stresses above those listed under "Absolute Maximum Rating" may cause permanent damage to the device. This is a stress rating only and functional operation of the device at these or at any other condition above those indicated in the operational sections of this specification is not implied. Exposure to absolute maximum rating conditions for extended periods may affect device reliability.

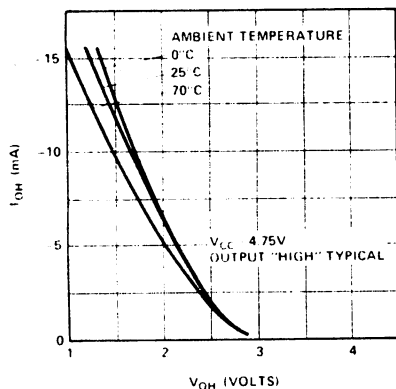
D.C. and Operating Characteristics

T_A = 0°C to 70°C, V_{CC} = 5V ±5% unless otherwise specified.

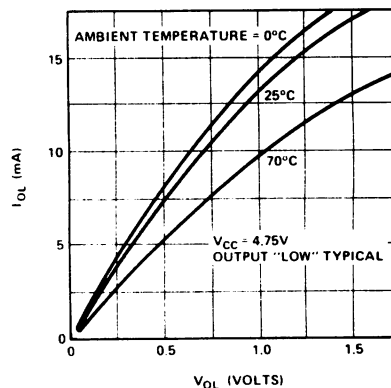
Symbol	Parameter	Min.	Typ. ^[1]	Max.	Unit	Test Conditions
I _{LI}	Input Current			10	μA	V _{IN} = 0 to 5.25V
I _{LOH}	I/O Leakage Current ^[2]			15	μA	\overline{CE} = 2.2V, V _{OUT} = 4.0V
I _{LOL}	I/O Leakage Current ^[2]			-50	μA	\overline{CE} = 2.2V, V _{OUT} = 0.45V
I _{CC1}	Power Supply Current		30	60	mA	V _{IN} = 5.25V, I _O = 0mA T _A = 25°C
I _{CC2}	Power Supply Current			70	mA	V _{IN} = 5.25V, I _O = 0mA T _A = 0°C
V _{IL}	Input "Low" Voltage	-0.5		+0.65	V	
V _{IH}	Input "High" Voltage	2.2		V _{CC}	V	
V _{OL}	Output "Low" Voltage			+0.45	V	I _{OL} = 2.0mA
V _{OH}	Output "High" Voltage	2.2			V	I _{OH} = -150 μA

NOTE: 1. Typical values are for T_A = 25°C and nominal supply voltage.
 2. Input and Output tied together.

OUTPUT SOURCE CURRENT VS. OUTPUT VOLTAGE



OUTPUT SINK CURRENT VS. OUTPUT VOLTAGE



A.C. Characteristics

READ CYCLE $T_A = 0^\circ\text{C}$ to 70°C , $V_{CC} = 5\text{V} \pm 5\%$, unless otherwise specified.

Symbol	Parameter	Min.	Typ.	Max.	Unit	Test Conditions
t_{RCY}	Read Cycle	850			ns	(See below)
t_A	Access Time			850	ns	
t_{CO}	Chip Enable To Output			650	ns	
t_{OD}	Output Disable To Output			550	ns	
$t_{DF}^{(1)}$	Data Output to High Z State	0		200	ns	
t_{OH}	Previous Data Read Valid after change of Address	0			ns	

WRITE CYCLE

Symbol	Parameter	Min.	Typ.	Max.	Unit	Test Conditions
t_{WCY}	Write Cycle	850			ns	(See below)
t_{AW}	Write Delay	150			ns	
t_{CW}	Chip Enable To Write	750			ns	
t_{DW}	Data Setup	500			ns	
t_{DH}	Data Hold	100			ns	
t_{WP}	Write Pulse	630			ns	
t_{WR}	Write Recovery	50			ns	

A. C. CONDITIONS OF TEST

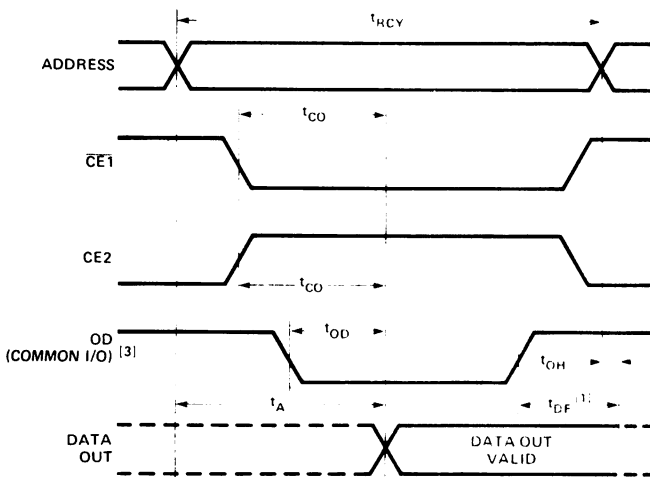
Input Pulse Levels: +0.65 Volt to 2.2 Volt
 Input Pulse Rise and Fall Times: 20nsec
 Timing Measurement Reference Level: 1.5 Volt
 Output Load: 1 TTL Gate and $C_L = 100\text{pF}$

Capacitance $T_A = 25^\circ\text{C}$, $f = 1\text{MHz}$

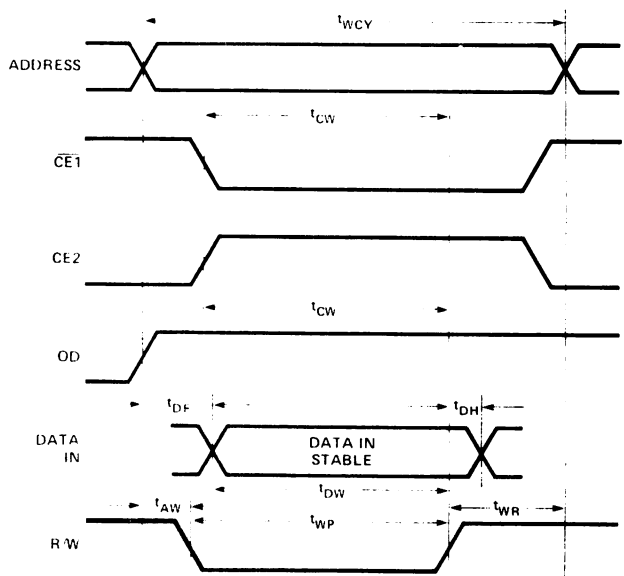
Symbol	Test	Limits (pF)	
		Typ.	Max.
C_{IN}	Input Capacitance (All Input Pins) $V_{IN} = 0\text{V}$	4	8
C_{OUT}	Output Capacitance $V_{OUT} = 0\text{V}$	8	12

Waveforms

READ CYCLE



WRITE CYCLE [2]



- NOTES: 1. t_{DF} is with respect to the trailing edge of $\overline{CE1}$, $\overline{CE2}$, or \overline{OD} , whichever occurs first.
 2. During the write cycle, \overline{OD} is a logical 1 for common I/O and "don't care" for separate I/O operation.
 3. \overline{OD} should be tied low for separate I/O operation.

1024 BIT (256 x 4) STATIC MOS RAM WITH COMMON I/O AND OUTPUT DISABLE

- Organization 256 Words by 4 Bits
- Access Time — 850 nsec Max.
- Common Data Input and Output
- Single +5V Supply Voltage
- Directly TTL Compatible — All Inputs and Output
- Static MOS — No Clocks or Refreshing Required
- Simple Memory Expansion — Chip Enable Input
- Fully Decoded — On Chip Address Decode
- Inputs Protected — All Inputs Have Protection Against Static Charge
- Low Cost Packaging — 18 Pin Plastic Dual-In-Line Configuration
- Low Power — Typically 150 mW
- Three-State Output — OR-Tie Capability

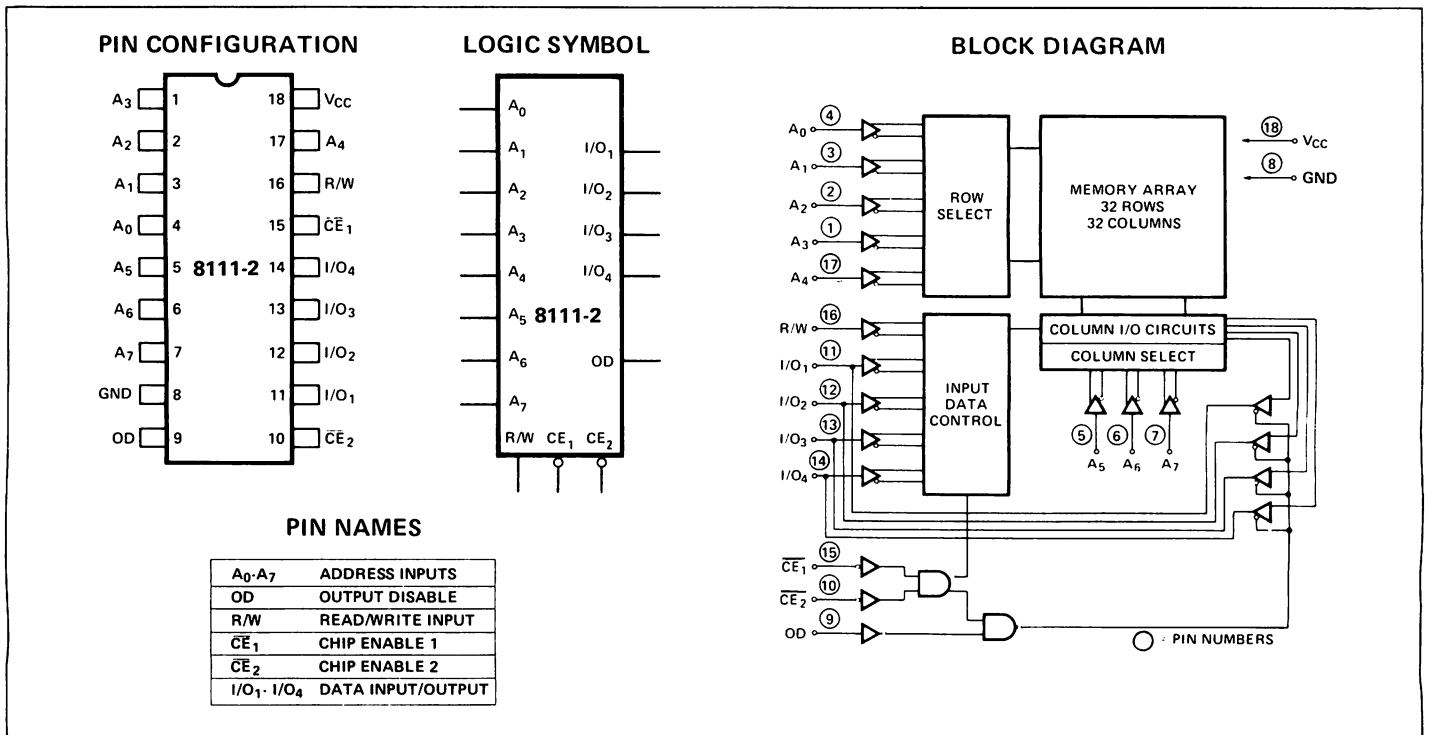
The Intel[®]8111-2 is a 256 word by 4 bit static random access memory element using normally off N-channel MOS devices integrated on a monolithic array. It uses fully DC stable (static) circuitry and therefore requires no clocks or refreshing to operate. The data is read out nondestructively and has the same polarity as the input data. Common input/output pins are provided.

The 8111-2 is designed for memory applications in small systems where high performance, low cost, large bit storage, and simple interfacing are important design objectives.

It is directly TTL compatible in all respects: inputs, outputs, and a single +5V supply. Separate chip enable (\overline{CE}) leads allow easy selection of an individual package when outputs are OR-tied.

The Intel[®]8111-2 is fabricated with N-channel silicon gate technology. This technology allows the design and production of high performance, easy-to-use MOS circuits and provides a higher functional density on a monolithic chip than either conventional MOS technology or P-channel silicon gate technology.

Intel's silicon gate technology also provides excellent protection against contamination. This permits the use of low cost silicone packaging.



Absolute Maximum Ratings*

Ambient Temperature Under Bias 0°C to 70°C
 Storage Temperature -65°C to +150°C
 Voltage On Any Pin
 With Respect to Ground -0.5V to +7V
 Power Dissipation 1 Watt

*COMMENT:

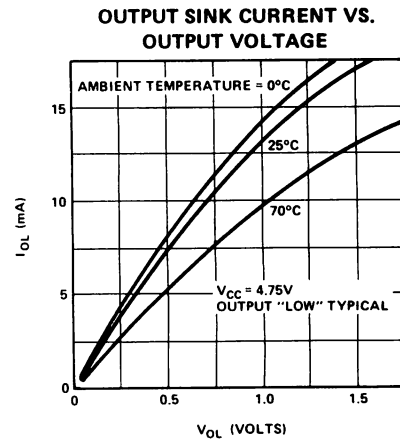
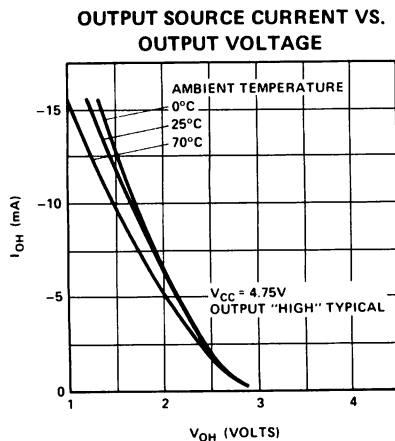
Stresses above those listed under "Absolute Maximum Rating" may cause permanent damage to the device. This is a stress rating only and functional operation of the device at these or at any other condition above those indicated in the operational sections of this specification is not implied. Exposure to absolute maximum rating conditions for extended periods may affect device reliability.

D.C. and Operating Characteristics

T_A = 0°C to 70°C, V_{CC} = 5V ±5% , unless otherwise specified.

Symbol	Parameter	Min.	Typ.[1]	Max.	Unit	Test Conditions
I _{LI}	Input Load Current			10	μA	V _{IN} = 0 to 5.25V
I _{LOH}	I/O Leakage Current			15	μA	C _E = 2.2V, V _{I/O} = 4.0V
I _{LOL}	I/O Leakage Current			-50	μA	C _E = 2.2V, V _{I/O} = 0.45V
I _{CC1}	Power Supply Current		30	60	mA	V _{IN} = 5.25V I _{I/O} = 0mA, T _A = 25°C
I _{CC2}	Power Supply Current			70	mA	V _{IN} = 5.25V I _{I/O} = 0mA, T _A = 0°C
V _{IL}	Input Low Voltage	-0.5		+0.65	V	
V _{IH}	Input High Voltage	2.2		V _{CC}	V	
V _{OL}	Output Low Voltage			0.45	V	I _{OL} = 2.0mA
V _{OH}	Output High Voltage	2.2			V	I _{OH} = -150 μA

NOTES: 1. Typical values are for T_A = 25°C and nominal supply voltage.



A.C. Characteristics

READ CYCLE $T_A = 0^\circ\text{C}$ to 70°C , $V_{CC} = 5\text{V} \pm 5\%$, unless otherwise specified.

Symbol	Parameter	Min.	Typ.	Max.	Unit	Test Conditions
t_{RCY}	Read Cycle	850			ns	(See below)
t_A	Access Time			850	ns	
t_{CO}	Chip Enable To Output			650	ns	
t_{OD}	Output Disable To Output			550	ns	
$t_{DF}^{(1)}$	Data Output to High Z State	0		200	ns	
t_{OH}	Previous Data Read Valid after change of Address	0			ns	

WRITE CYCLE

Symbol	Parameter	Min.	Typ.	Max.	Unit	Test Conditions
t_{WCY}	Write Cycle	850			ns	(See below)
t_{AW}	Write Delay	150			ns	
t_{CW}	Chip Enable To Write	750			ns	
t_{DW}	Data Setup	500			ns	
t_{DH}	Data Hold	100			ns	
t_{WP}	Write Pulse	630			ns	
t_{WR}	Write Recovery	50			ns	

A. C. CONDITIONS OF TEST

Input Pulse Levels: +0.65 Volt to 2.2 Volt

Input Pulse Rise and Fall Times: 20nsec

Timing Measurement Reference Level: 1.5 Volt

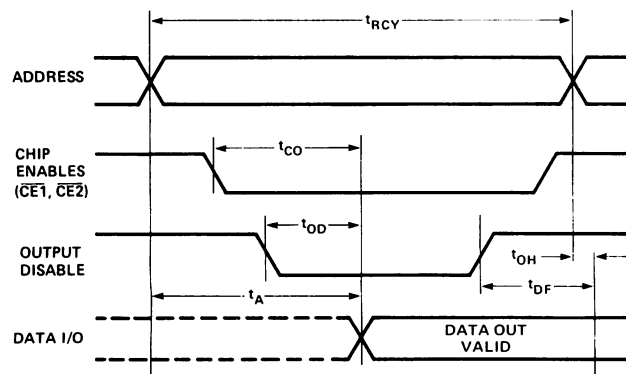
Output Load: 1 TTL Gate and $C_L = 100\text{pF}$

Capacitance $T_A = 25^\circ\text{C}$, $f = 1\text{MHz}$

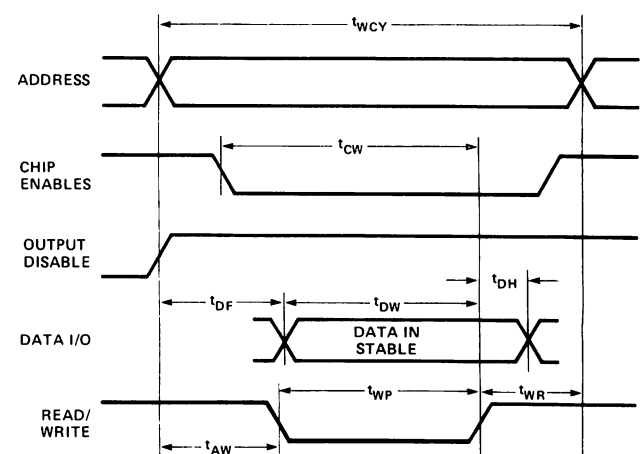
Symbol	Test	Limits (pF)	
		Typ.	Max.
C_{IN}	Input Capacitance (All Input Pins) $V_{IN} = 0\text{V}$	4	8
C_{OUT}	Output Capacitance $V_{OUT} = 0\text{V}$	10	15

Waveforms

READ CYCLE



WRITE CYCLE



NOTE: 1. t_{DF} is with respect to the trailing edge of $\overline{CE1}$, $\overline{CE2}$, or OD, whichever occurs first.



Silicon Gate MOS 8102-2

1024 BIT FULLY DECODED STATIC MOS RANDOM ACCESS MEMORY

- Access Time — 850ns Max.
- Single +5 Volts Supply Voltage
- Directly TTL Compatible — All Inputs and Output
- Static MOS — No Clocks or Refreshing Required
- Low Power — Typically 150 mW
- Three-State Output — OR-Tie Capability
- Simple Memory Expansion — Chip Enable Input
- Fully Decoded — On Chip Address Decode
- Inputs Protected — All Inputs Have Protection Against Static Charge
- Low Cost Packaging — 16 Pin Plastic Dual-In-Line Configuration

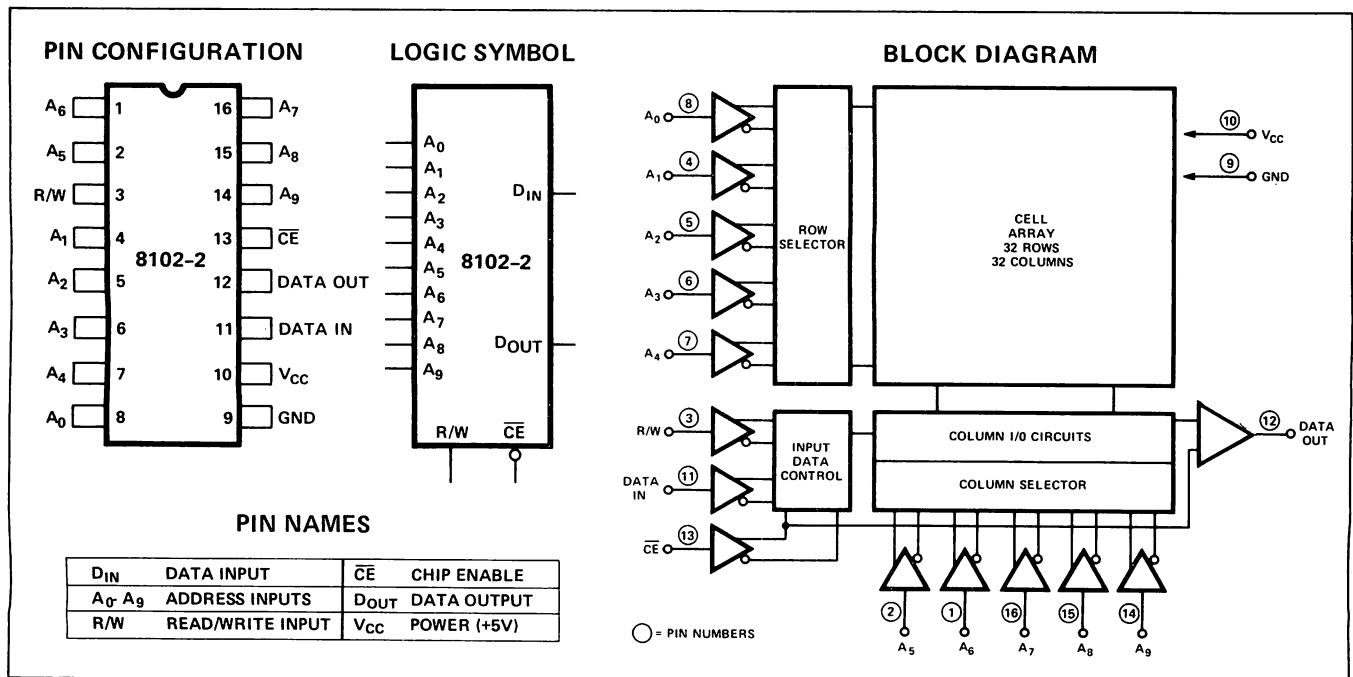
The Intel[®] 8102-2 is a 1024 word by one bit static random access memory element using normally off N-channel MOS devices integrated on a monolithic array. It uses fully DC stable (static) circuitry and therefore requires no clocks or refreshing to operate. The data is read out nondestructively and has the same polarity as the input data.

The 8102-2 is designed for microcomputer memory applications where high performance, low cost, large bit storage, and simple interfacing are important design objectives.

It is directly TTL compatible in all respects: inputs, output, and a single +5 volt supply. A separate chip enable (CE) lead allows easy selection of an individual package when outputs are OR-tied.

The Intel[®] 8102-2 is fabricated with N-channel silicon gate technology. This technology allows the design and production of high performance, easy-to-use MOS circuits and provides a higher functional density on a monolithic chip than either conventional MOS technology or P-channel silicon gate technology.

Intel's silicon gate technology also provides excellent protection against contamination. This permits the use of low cost silicone packaging.



ABSOLUTE MAXIMUM RATINGS*

Ambient Temperature Under Bias	0°C to 70°C
Storage Temperature	-65°C to +150°C
Voltage On Any Pin With Respect To Ground	-0.5V to +7V
Power Dissipation	1 Watt

*COMMENT:

Stresses above those listed under "Absolute Maximum Rating" may cause permanent damage to the device. This is a stress rating only and functional operation of the device at these or at any other condition above those indicated in the operational sections of this specification is not implied. Exposure to absolute maximum rating conditions for extended periods may affect device reliability.

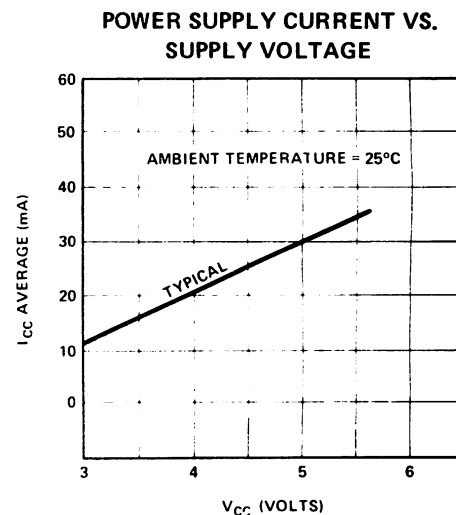
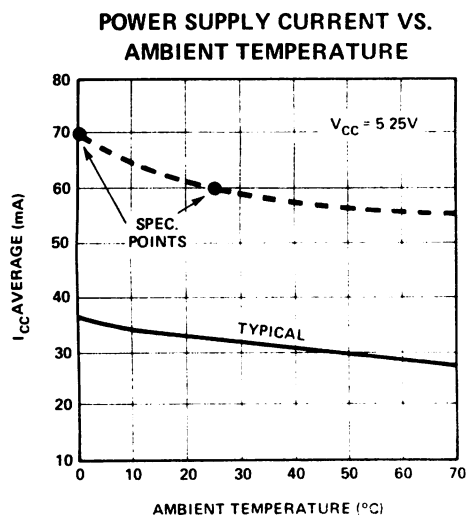
D.C. AND OPERATING CHARACTERISTICS

$T_A = 0^\circ\text{C}$ to $+70^\circ\text{C}$, $V_{CC} = 5V \pm 5\%$ unless otherwise specified

SYMBOL	PARAMETER	LIMITS			UNIT	TEST CONDITIONS
		MIN.	TYP.(1)	MAX.		
I_{LI}	INPUT LOAD CURRENT (ALL INPUT PINS)			10	μA	$V_{IN} = 0$ to 5.25V
I_{LOH}	OUTPUT LEAKAGE CURRENT			10	μA	$\overline{CE} = 2.2\text{V}$, $V_{OUT} = 4.0\text{V}$
I_{LOL}	OUTPUT LEAKAGE CURRENT			-100	μA	$\overline{CE} = 2.2\text{V}$, $V_{OUT} = 0.45\text{V}$
I_{CC1}	POWER SUPPLY CURRENT		30	60	mA	ALL INPUTS = 5.25V DATA OUT OPEN $T_A = 25^\circ\text{C}$
I_{CC2}	POWER SUPPLY CURRENT			70	mA	ALL INPUTS = 5.25V DATA OUT OPEN $T_A = 0^\circ\text{C}$
V_{IL}	INPUT "LOW" VOLTAGE	-0.5		+0.65	V	
V_{IH}	INPUT "HIGH" VOLTAGE	2.2		V_{CC}	V	
V_{OL}	OUTPUT "LOW" VOLTAGE			+0.45	V	$I_{OL} = 1.9\text{mA}$
V_{OH}	OUTPUT "HIGH" VOLTAGE	2.2			V	$I_{OH} = -100\mu\text{A}$

(1) Typical values are for $T_A = 25^\circ\text{C}$ and nominal supply voltage.

TYPICAL D.C. CHARACTERISTICS



A.C. CHARACTERISTICS $T_A = 0^\circ\text{C}$ to 70°C , $V_{CC} = 5\text{V} \pm 5\%$ unless otherwise specified

SYMBOL	PARAMETER	LIMITS			UNIT
		MIN.	TYP. ⁽¹⁾	MAX.	
READ CYCLE					
t_{RC}	READ CYCLE	850			ns
t_A	ACCESS TIME		500	850	ns
t_{CO}	CHIP ENABLE TO OUTPUT TIME			500	ns
t_{OH1}	PREVIOUS READ DATA VALID WITH RESPECT TO ADDRESS	50			ns
t_{OH2}	PREVIOUS READ DATA VALID WITH RESPECT TO CHIP ENABLE	0			ns
WRITE CYCLE					
t_{WC}	WRITE CYCLE	850			ns
t_{AW}	ADDRESS TO WRITE SETUP TIME	200			ns
t_{WP}	WRITE PULSE WIDTH	600			ns
t_{WR}	WRITE RECOVERY TIME	50			ns
t_{DW}	DATA SETUP TIME	650			ns
t_{DH}	DATA HOLD TIME	100			ns
t_{CW}	CHIP ENABLE TO WRITE SETUP TIME	750			ns

(1) Typical values are for $T_A = 25^\circ\text{C}$ and nominal supply voltage.

A. C. CONDITIONS OF TEST

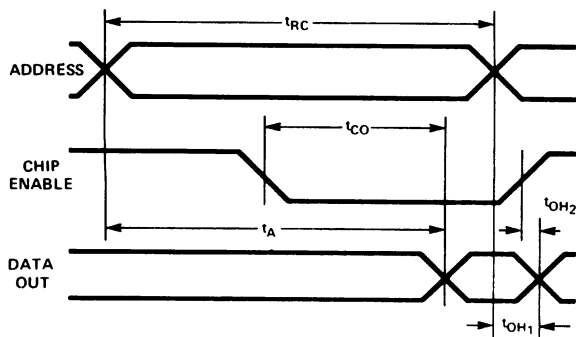
Input Pulse Levels: +0.65 Volt to 2.2 Volt
 Input Pulse Rise and Fall Times: 20nsec
 Timing Measurement Reference Level: 1.5 Volt
 Output Load: 1 TTL Gate and $C_L = 100 \text{ pF}$

CAPACITANCE $T_A = 25^\circ\text{C}$, $f = 1 \text{ MHz}$

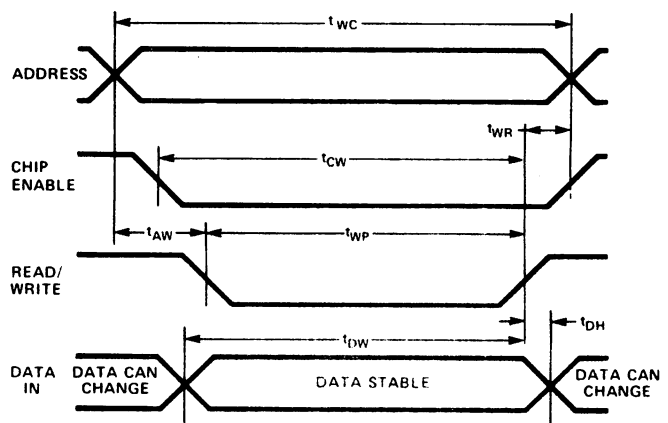
SYMBOL	TEST	LIMITS (pF)	
		TYP.	MAX.
C_{IN}	INPUT CAPACITANCE (ALL INPUT PINS) $V_{IN} = 0\text{V}$	3	5
C_{OUT}	OUTPUT CAPACITANCE $V_{OUT} = 0\text{V}$	7	10

WAVEFORMS

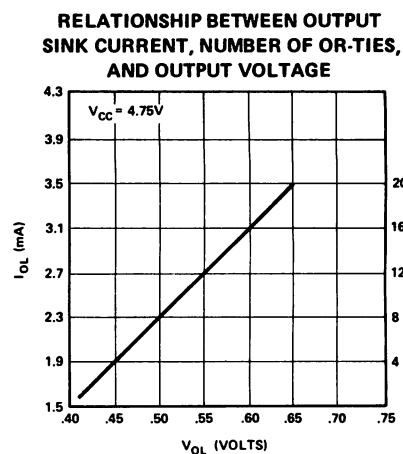
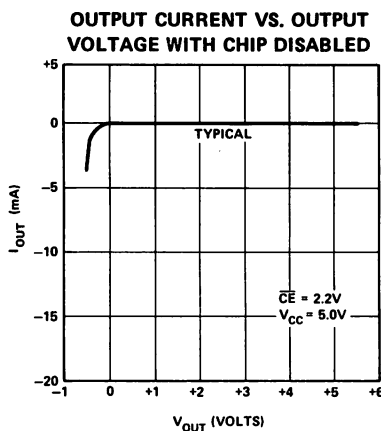
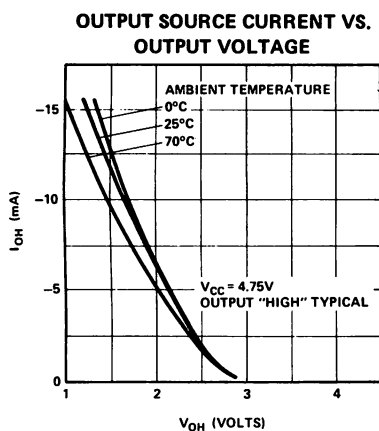
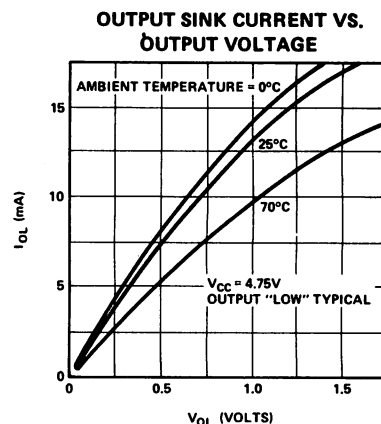
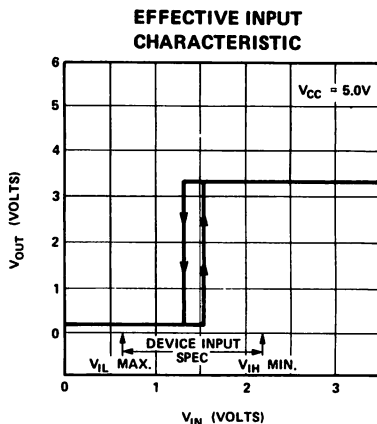
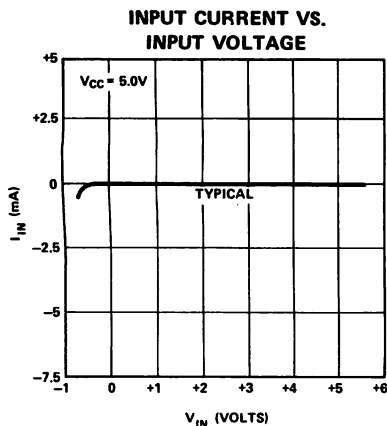
READ CYCLE



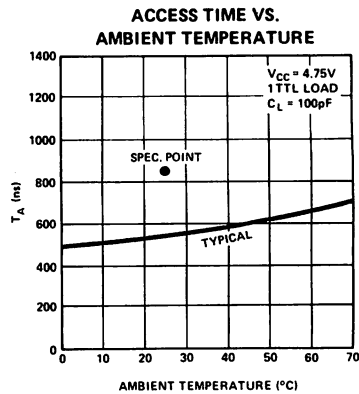
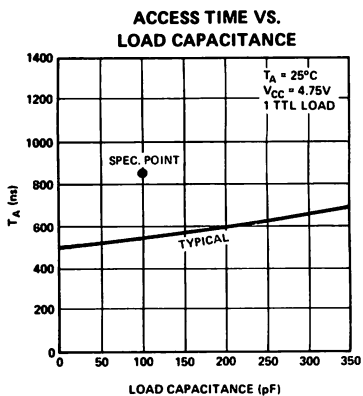
WRITE CYCLE



TYPICAL D.C. CHARACTERISTICS



TYPICAL A.C. CHARACTERISTICS





Silicon Gate MOS 8102A-4

1024 BIT FULLY DECODED STATIC MOS RANDOM ACCESS MEMORY

- Access Time — 450 ns Max.
- Single +5 Volts Supply Voltage
- Directly TTL Compatible — All Inputs and Output
- Static MOS — No Clocks or Refreshing Required
- Low Power — Typically 150 mW
- Three-State Output — OR-Tie Capability
- Simple Memory Expansion — Chip Enable Input
- Fully Decoded — On Chip Address Decode
- Inputs Protected — All Inputs Have Protection Against Static Charge
- Low Cost Packaging — 16 Pin Plastic Dual-In-Line Configuration

The Intel[®] 8102A-4 is a 1024 word by one bit static random access memory element using normally off N-channel MOS devices integrated on a monolithic array. It uses fully DC stable (static) circuitry and therefore requires no clocks or refreshing to operate. The data is read out nondestructively and has the same polarity as the input data.

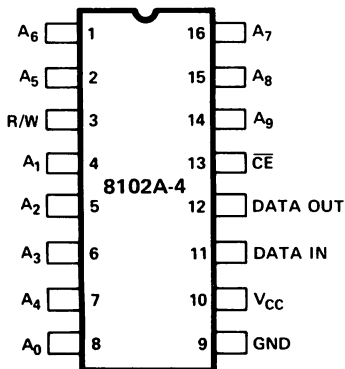
The 8102A-4 is designed for microcomputer memory applications where high performance, low cost, large bit storage, and simple interfacing are important design objectives.

It is directly TTL compatible in all respects: inputs, output, and a single +5 volt supply. A separate chip enable (\overline{CE}) lead allows easy selection of an individual package when outputs are OR-tied.

The Intel[®] 8102A-4 is fabricated with N-channel silicon gate technology. This technology allows the design and production of high performance, easy-to-use MOS circuits and provides a higher functional density on a monolithic chip than either conventional MOS technology or P-channel silicon gate technology.

Intel's silicon gate technology also provides excellent protection against contamination. This permits the use of low cost silicone packaging.

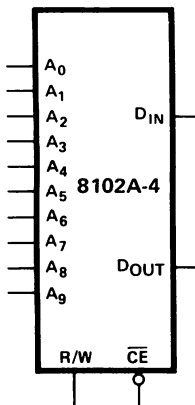
PIN CONFIGURATION



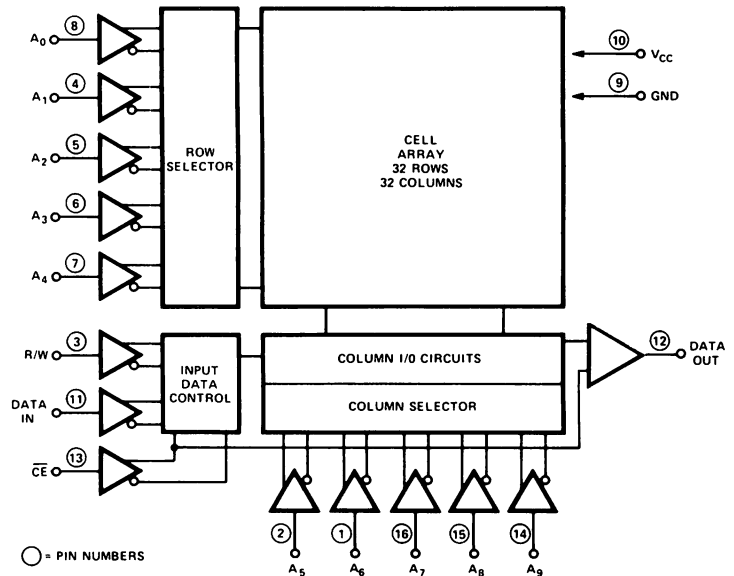
PIN NAMES

D_{IN}	DATA INPUT	\overline{CE}	CHIP ENABLE
A_0 A_9	ADDRESS INPUTS	D_{OUT}	DATA OUTPUT
R/W	READ/WRITE INPUT	V_{CC}	POWER (+5V)

LOGIC SYMBOL



BLOCK DIAGRAM



SILICON GATE MOS 8102A-4

ABSOLUTE MAXIMUM RATINGS*

Ambient Temperature Under Bias	0°C to 70°C
Storage Temperature	-65°C to +150°C
Voltage On Any Pin With Respect To Ground	-0.5V to +7V
Power Dissipation	1 Watt

*COMMENT:

Stresses above those listed under "Absolute Maximum Rating" may cause permanent damage to the device. This is a stress rating only and functional operation of the device at these or at any other condition above those indicated in the operational sections of this specification is not implied. Exposure to absolute maximum rating conditions for extended periods may affect device reliability.

D.C. AND OPERATING CHARACTERISTICS

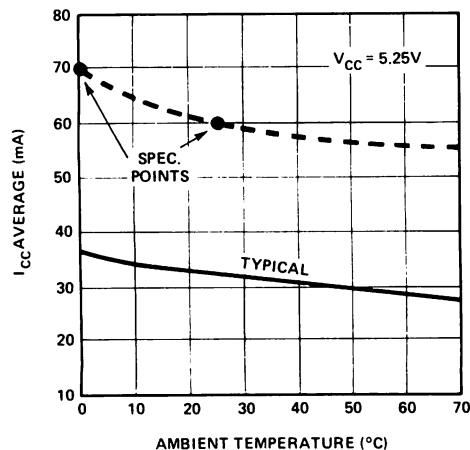
$T_A = 0^\circ\text{C}$ to $+70^\circ\text{C}$, $V_{CC} = 5\text{V} \pm 5\%$ unless otherwise specified

SYMBOL	PARAMETER	LIMITS			UNIT	TEST CONDITIONS
		MIN.	TYP.(1)	MAX.		
I_{LI}	INPUT LOAD CURRENT (ALL INPUT PINS)			10	μA	$V_{IN} = 0$ to 5.25V
I_{LOH}	OUTPUT LEAKAGE CURRENT			5	μA	$\overline{CE} = 2.0\text{V}$, $V_{OUT} = 2.4$ to V_{CC}
I_{LOL}	OUTPUT LEAKAGE CURRENT			-10	μA	$\overline{CE} = 2.0\text{V}$, $V_{OUT} = 0.4\text{V}$
I_{CC1}	POWER SUPPLY CURRENT		30	60	mA	ALL INPUTS = 5.25V DATA OUT OPEN $T_A = 25^\circ\text{C}$
I_{CC2}	POWER SUPPLY CURRENT			70	mA	ALL INPUTS = 5.25V DATA OUT OPEN $T_A = 0^\circ\text{C}$
V_{IL}	INPUT "LOW" VOLTAGE	-0.5		0.8	V	
V_{IH}	INPUT "HIGH" VOLTAGE	2.0		V_{CC}	V	
V_{OL}	OUTPUT "LOW" VOLTAGE			0.4	V	$I_{OL} = 2.1\text{mA}$
V_{OH}	OUTPUT "HIGH" VOLTAGE	2.4			V	$I_{OH} = -100\mu\text{A}$

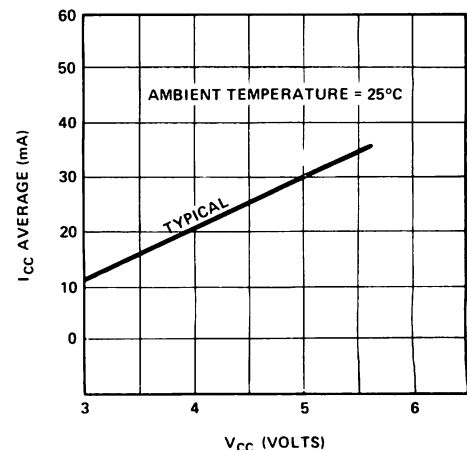
(1) Typical values are for $T_A = 25^\circ\text{C}$ and nominal supply voltage.

TYPICAL D.C. CHARACTERISTICS

POWER SUPPLY CURRENT VS.
AMBIENT TEMPERATURE



POWER SUPPLY CURRENT VS.
SUPPLY VOLTAGE



A. C. Characteristics $T_A = 0^\circ\text{C}$ to 70°C , $V_{CC} = 5V \pm 5\%$ unless otherwise specified

Symbol	Parameter	Limits			Unit
		Min.	Typ.[1]	Max.	
READ CYCLE					
t_{RC}	Read Cycle	450			ns
t_A	Access Time			450	ns
t_{CO}	Chip Enable to Output Time			230	ns
t_{OH1}	Previous Read Data Valid with Respect to Address	40			ns
t_{OH2}	Previous Read Data Valid with Respect to Chip Enable	0			ns
WRITE CYCLE					
t_{WC}	Write Cycle	450			ns
t_{AW}	Address to Write Setup Time	20			ns
t_{WP}	Write Pulse Width	300			ns
t_{WR}	Write Recovery Time	0			ns
t_{DW}	Data Setup Time	300			ns
t_{DH}	Data Hold Time	0			ns
t_{CW}	Chip Enable to Write Setup Time	300			ns

NOTE: 1. Typical values are for $T_A = 25^\circ\text{C}$ and nominal supply voltage.

A. C. CONDITIONS OF TEST

Input Pulse Levels: 0.8 Volt to 2.0 Volt
 Input Rise and Fall Times: 10nsec
 Timing Measurement Inputs: 1.5 Volts
 Reference Levels Output: 0.8 and 2.0 Volts
 Output Load: 1 TTL Gate and $C_L = 100\text{ pF}$

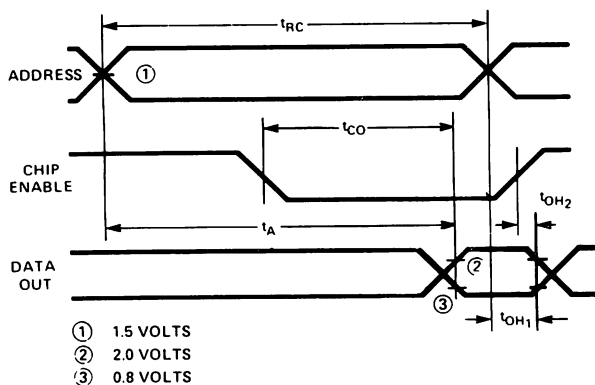
Capacitance^[2] $T_A = 25^\circ\text{C}$, $f = 1\text{ MHz}$

SYMBOL	TEST	LIMITS (pF)	
		TYP.[1]	MAX.
C_{IN}	INPUT CAPACITANCE (ALL INPUT PINS) $V_{IN} = 0V$	3	5
C_{OUT}	OUTPUT CAPACITANCE $V_{OUT} = 0V$	7	10

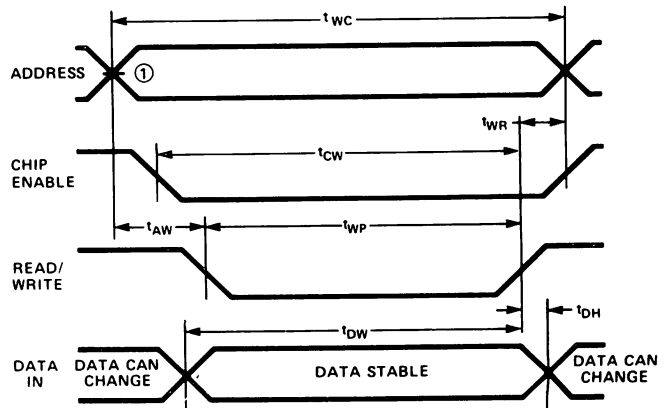
NOTE: 2. This parameter is periodically sampled and is not 100% tested.

Waveforms

READ CYCLE

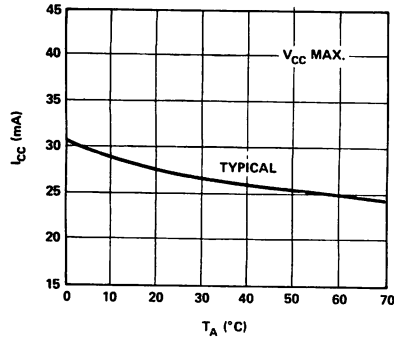


WRITE CYCLE

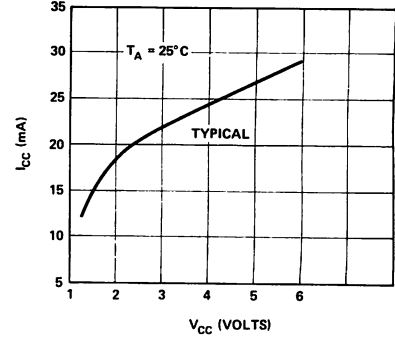


Typical D. C. and A. C. Characteristics

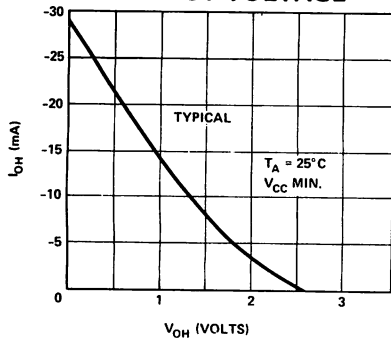
POWER SUPPLY CURRENT VS. AMBIENT TEMPERATURE



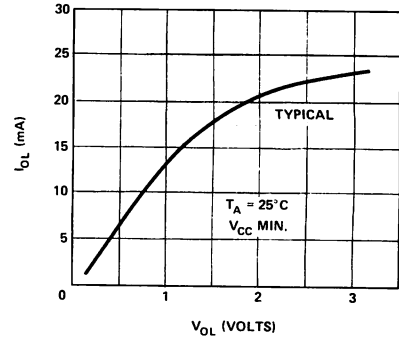
POWER SUPPLY CURRENT VS. SUPPLY VOLTAGE



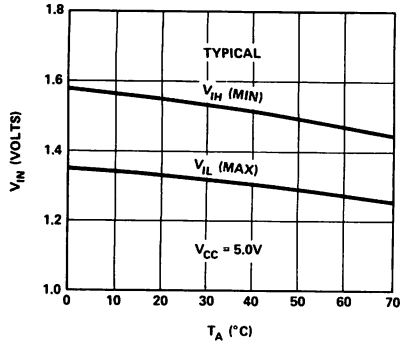
OUTPUT SOURCE CURRENT VS. OUTPUT VOLTAGE



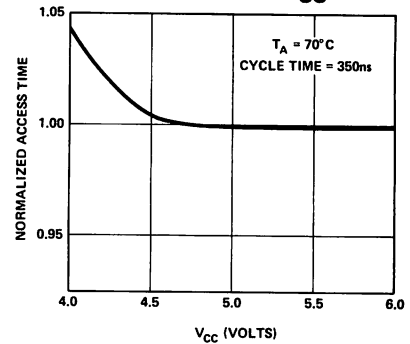
OUTPUT SINK CURRENT VS. OUTPUT VOLTAGE



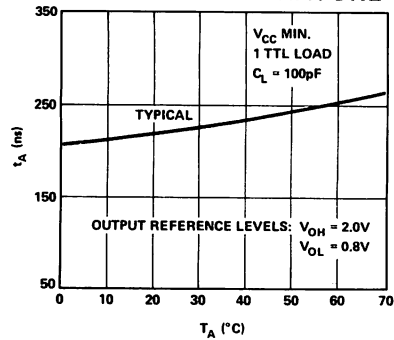
VIN LIMITS VS. TEMPERATURE



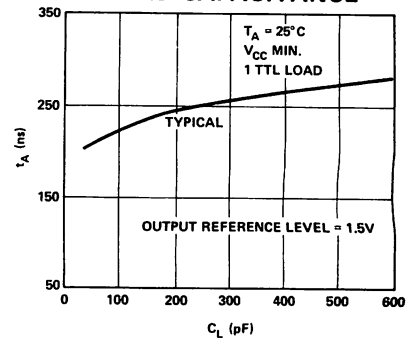
ACCESS TIME VS. VCC NORMALIZED TO VCC = 5.0V



ACCESS TIME VS. AMBIENT TEMPERATURE



ACCESS TIME VS. LOAD CAPACITANCE



FULLY DECODED RANDOM ACCESS 4096 BIT DYNAMIC MEMORY

- * Access Time -- 270 ns max.
- * Read, Write Cycle Times -- 470 ns max.
- * Refresh Period -- 2 ms

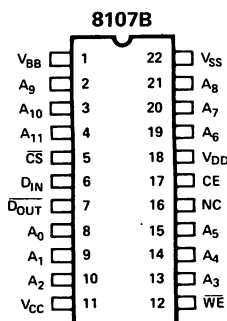
- Low Cost Per Bit
- Low Standby Power
- Easy System Interface
- Only One High Voltage Input Signal – Chip Enable
- TTL Compatible -- All Address, Data, Write Enable, Chip Select Inputs
- Read-Modify-Write Cycle Time -- 590 ns
- Address Registers Incorporated on the Chip
- Simple Memory Expansion – Chip Select Input Lead
- Fully Decoded – On Chip Address Decode
- Output is Three State and TTL Compatible
- Industry Standard 22-Pin Configuration

The Intel 8107B is a 4096 word by 1 bit dynamic n-channel MOS RAM. It was designed for memory applications where very low cost and large bit storage are important design objectives. The 8107B uses dynamic circuitry which reduces the standby power dissipation.

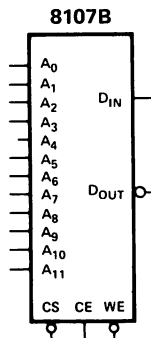
Reading information from the memory is non-destructive. Refreshing is most easily accomplished by performing one read cycle on each of the 64 row addresses. Each row address must be refreshed every two milliseconds. The memory is refreshed whether Chip Select is a logic one or a logic zero.

The 8107B is fabricated with n-channel silicon gate technology. This technology allows the design and production of high performance, easy to use MOS circuits and provides a higher functional density on a monolithic chip than other MOS technologies. The 8107B uses a single transistor cell to achieve high speed and low cost. It is a replacement for the 8107B.

PIN CONFIGURATION



LOGIC SYMBOL

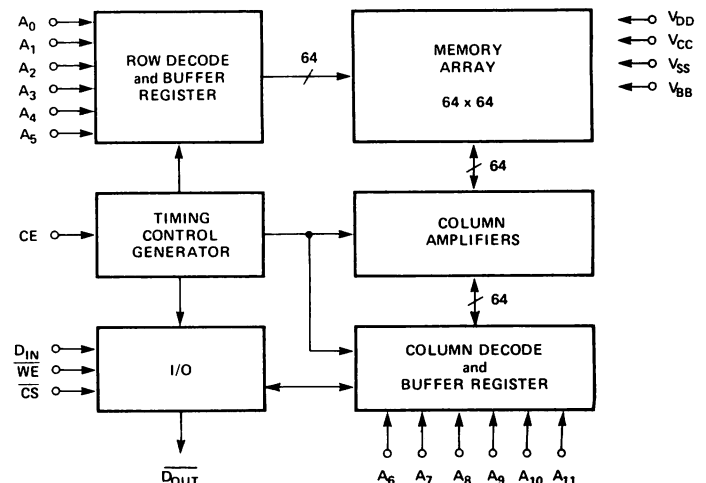


PIN NAMES

Pin	Name	Power
A ₀ -A ₁₁	ADDRESS INPUTS*	V _{BB} POWER (-5V)
CE	CHIP ENABLE	V _{CC} POWER (+5V)
CS	CHIP SELECT	V _{DD} POWER (+12V)
D _{IN}	DATA INPUT	V _{SS} GROUND
D _{OUT}	DATA OUTPUT	WE WRITE ENABLE
NC	NOT CONNECTED	

*Refresh Address A₀-A₅.

BLOCK DIAGRAM



Absolute Maximum Ratings*

Temperature Under Bias	0°C to 70°C
Storage Temperature	-65°C to +150°C
All Input or Output Voltages with Respect to the most Negative Supply Voltage, V_{BB}	+25V to -0.3V
Supply Voltages V_{DD} , V_{CC} , and V_{SS} with Respect to V_{BB}	+20V to -0.3V
Power Dissipation	1.25W

***COMMENT:**

Stresses above those listed under "Absolute Maximum Ratings" may cause permanent damage to the device. This is a stress rating only and functional operation of the device at these or any other conditions above those indicated in the operational sections of this specification is not implied. Exposure to absolute maximum rating conditions for extended periods may affect device reliability.

D.C. and Operating Characteristics

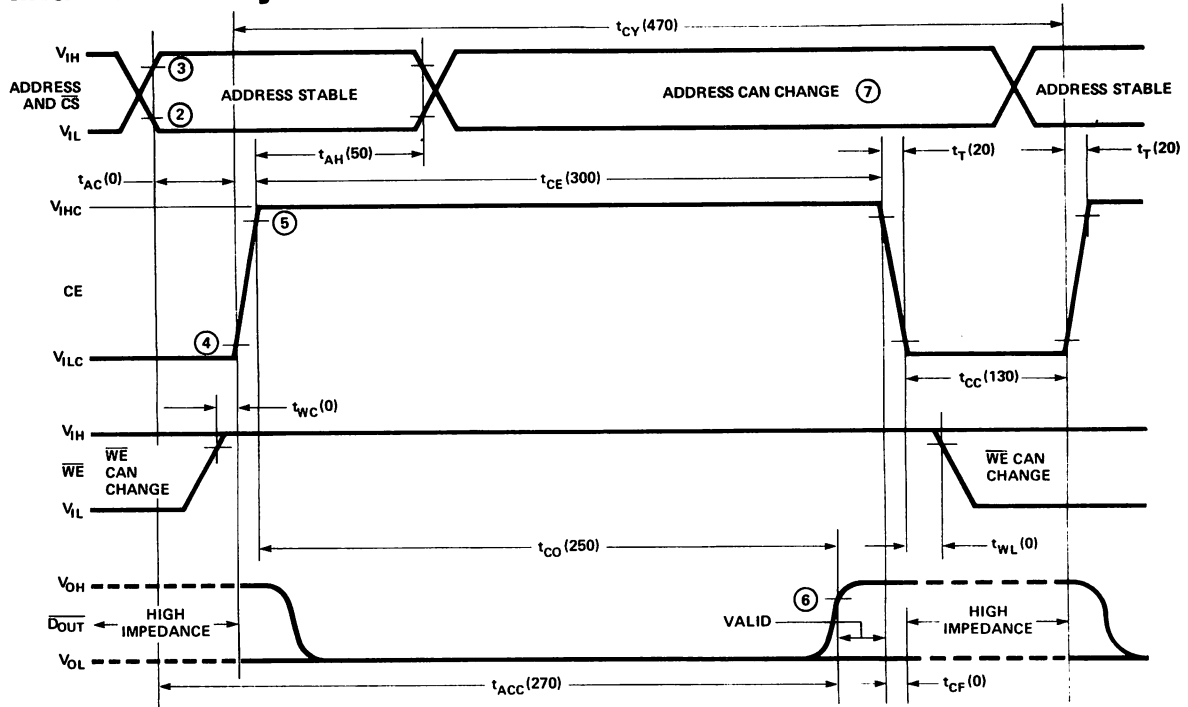
$T_A = 0^\circ\text{C}$ to 70°C , $V_{DD} = +12\text{V} \pm 5\%$, $V_{CC} = +5\text{V} \pm 5\%$, $V_{BB}^{(1)} = -5\text{V} \pm 5\%$, $V_{SS} = 0\text{V}$, unless otherwise noted.

Symbol	Parameter	Limits			Unit	Conditions
		Min.	Typ. [2]	Max.		
I_{LI}	Input Load Current (all inputs except CE)		.01	10	μA	$V_{IN} = V_{IL\text{ MIN}}$ to $V_{IH\text{ MAX}}$
I_{LC}	Input Load Current		.01	10	μA	$V_{IN} = V_{IL\text{ MIN}}$ to $V_{IH\text{ MAX}}$
$ I_{LO} $	Output Leakage Current for high impedance state		.01	10	μA	$CE = V_{ILC}$ or $\overline{CS} = V_{IH}$ $V_O = 0\text{V}$ to 5.25V
I_{DD1}	V_{DD} Supply Current during CE off [3]		110	200	μA	$CE = -1\text{V}$ to $+6\text{V}$
I_{DD2}	V_{DD} Supply Current during CE on		80	100	mA	$CE = V_{IHC}$, $T_A = 25^\circ\text{C}$
$I_{DD\text{ AV1}}$	Average V_{DD} Current		55	80	mA	$T_A = 25^\circ\text{C}$ Cycle time = 470ns, $t_{CE} = 300\text{ns}$ Cycle time = 1000ns, $t_{CE} = 300\text{ns}$
$I_{DD\text{ AV2}}$	Average V_{DD} Current		27	40	mA	
I_{CC1} [4]	V_{CC} Supply Current during CE off		.01	10	μA	$CE = V_{ILC}$ or $\overline{CS} = V_{IH}$
I_{BB}	V_{BB} Supply Current		5	100	μA	
V_{IL}	Input Low Voltage	-1.0		0.6	V	$t_T = 20\text{ns}$ — See Figure 4
V_{IH}	Input High Voltage	2.4		$V_{CC} + 1$	V	
V_{ILC}	CE Input Low Voltage	-1.0		+1.0	V	
V_{IHC}	CE Input High Voltage	$V_{DD} - 1$		$V_{DD} + 1$	V	
V_{OL}	Output Low Voltage	0.0		0.45	V	$I_{OL} = 2.0\text{mA}$
V_{OH}	Output High Voltage	2.4		V_{CC}	V	$I_{OH} = -2.0\text{mA}$

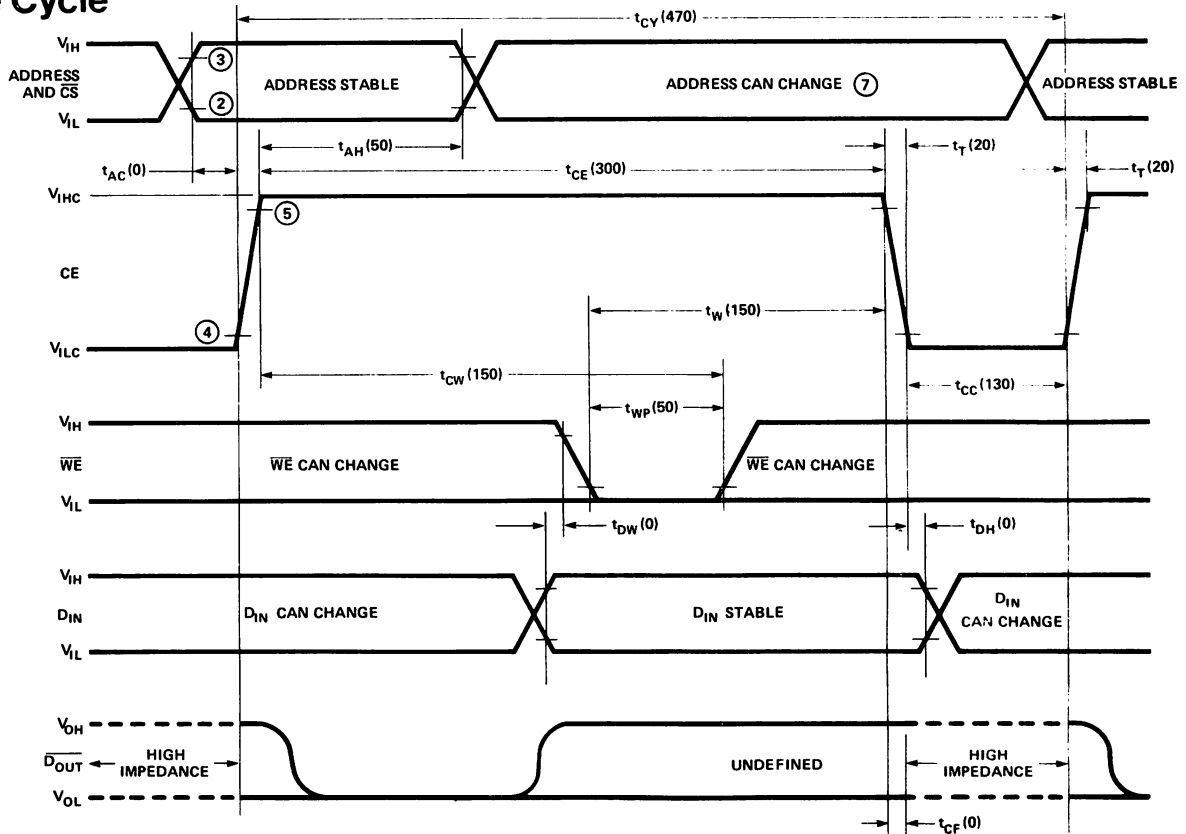
NOTES:

- The only requirement for the sequence of applying voltage to the device is that V_{DD} , V_{CC} , and V_{SS} should never be .3V more negative than V_{BB} .
- Typical values are for $T_A = 25^\circ\text{C}$ and nominal power supply voltages.
- The I_{DD} and I_{CC} currents flow to V_{SS} . The I_{BB} current is the sum of all leakage currents.
- During CE on V_{CC} supply current is dependent on output loading, V_{CC} is connected to output buffer only.

Read and Refresh Cycle ^[1] (Numbers in parentheses are for minimum cycle timing in ns)



Write Cycle



- NOTES:
1. For Refresh cycle row and column addresses must be stable before t_{AC} and remain stable for entire t_{AH} period.
 2. $V_{IL\ MAX}$ is the reference level for measuring timing of the addresses, \overline{CS} , \overline{WE} , and D_{IN} .
 3. $V_{IH\ MIN}$ is the reference level for measuring timing of the addresses, \overline{CS} , \overline{WE} , and D_{IN} .
 4. $V_{SS} + 2.0V$ is the reference level for measuring timing of CE.
 5. $V_{DD} - 2V$ is the reference level for measuring timing of CE.
 6. $V_{SS} + 2.0V$ is the reference level for measuring the timing of $\overline{D_{OUT}}$.
 7. During CE high typically 0.5mA will be drawn from any address pin which is switched from low to high.

SILICON GATE MOS 8107B-4

A. C. Characteristics $T_A = 0^\circ\text{C}$ to 70°C , $V_{DD} = 12\text{V} \pm 5\%$, $V_{CC} = 5\text{V} \pm 10\%$, $V_{BB} = -5\text{V} \pm 5\%$,

READ, WRITE, AND READ MODIFY/WRITE CYCLE $V_{SS} = 0\text{V}$, unless otherwise noted.

Symbol	Parameter	Min.	Max.	Unit	Conditions
t_{REF}	Time Between Refresh		2	ms	t_{AC} is measured from end of address transition
t_{AC}	Address to CE Set Up Time	0		ns	
t_{AH}	Address Hold Time	100		ns	
t_{CC}	CE Off Time	130		ns	
t_T	CE Transition Time	10	40	ns	
t_{CF}	CE Off to Output High Impedance State	0		ns	

READ CYCLE

Symbol	Parameter	Min.	Max.	Unit	Conditions
t_{CY}	Cycle Time	470		ns	$t_T = 20\text{ns}$ $C_{load} = 50\text{pF}$, Load = One TTL Gate, Ref = 2.0V. $t_{ACC} = t_{AC} + t_{CO} + 1t_T$
t_{CE}	CE On Time	300	4000	ns	
t_{CO}	CE Output Delay		250	ns	
t_{ACC}	Address to Output Access		270	ns	
t_{WL}	CE to \overline{WE}	0		ns	
t_{WC}	\overline{WE} to CE on	0		ns	

WRITE CYCLE

Symbol	Parameter	Min.	Max.	Unit	Conditions
t_{CY}	Cycle Time	470		ns	$t_T = 20\text{ns}$
t_{CE}	CE On Time	300	4000	ns	
t_W	\overline{WE} to CE Off	150		ns	
t_{CW}	CE to \overline{WE}	150		ns	
t_{DW} [2]	D_{IN} to \overline{WE} Set Up	0		ns	
t_{DH}	D_{IN} Hold Time	0		ns	
t_{WP}	\overline{WE} Pulse Width	50		ns	

Read Modify Write Cycle

Symbol	Parameter	Min.	Max.	Unit	Conditions
t_{RWC}	Read Modify Write (RMW) Cycle Time	590		ns	$t_T = 20\text{ns}$ $C_{load} = 50\text{pF}$, Load = One TTL Gate, Ref = 2.0V $t_{ACC} = t_{AC} + t_{CO} + 1t_T$
t_{CRW}	CE Width During RMW	420	4000	ns	
t_{WC}	\overline{WE} to CE on	0		ns	
t_W	\overline{WE} to CE off	150		ns	
t_{WP}	\overline{WE} Pulse Width	50		ns	
t_{DW}	D_{IN} to \overline{WE} Set Up	0		ns	
t_{DH}	D_{IN} Hold Time	0		ns	
t_{CO}	CE to Output Delay		250	ns	
t_{ACC}	Access Time		270	ns	

Typical Characteristics

Fig. 1. I_{DD} AV VS. TEMPERATURE

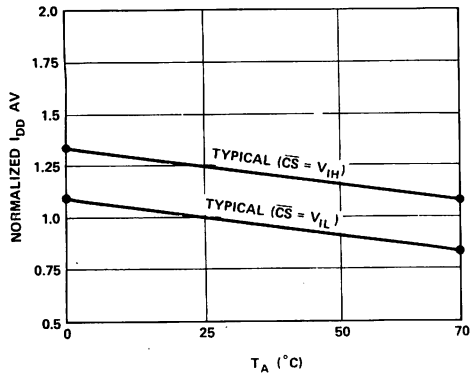


Fig. 2. TYPICAL I_{DD} AVERAGE VS. CYCLE TIME

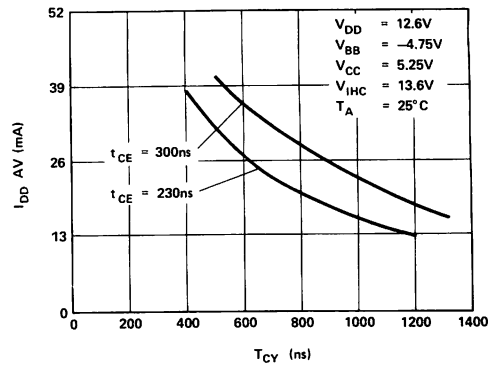


Fig. 3. I_{DD2} VS. TEMPERATURE

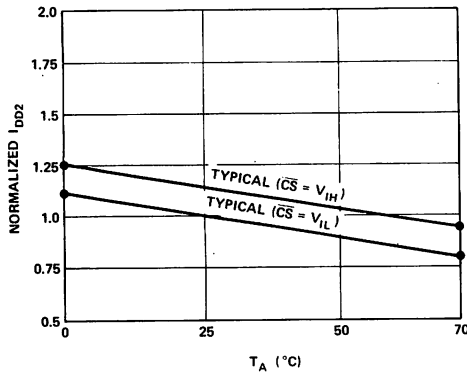


Fig. 4. TYPICAL V_{IL} MAX VS. CE RISE TIME

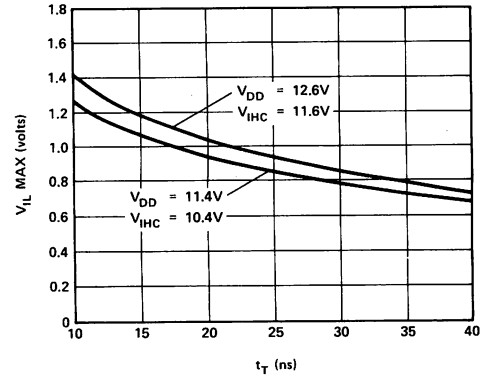


Fig. 5. TYPICAL I_{OH} VS. V_{OH}

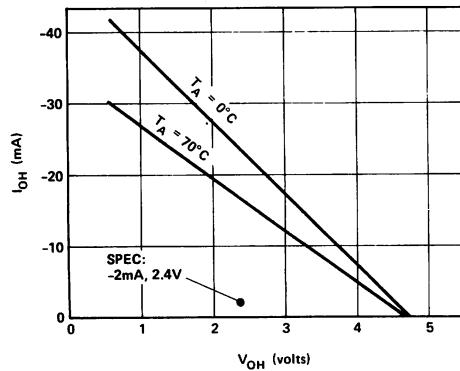


Fig. 6. TYPICAL I_{OL} VS. V_{OL}

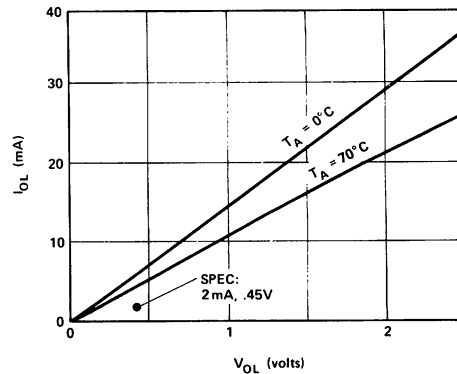


Fig. 7. TYPICAL REFRESH VS. TEMPERATURE

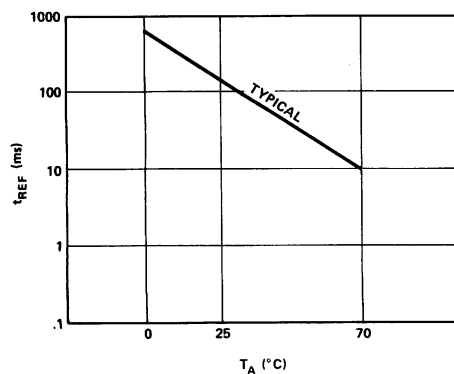
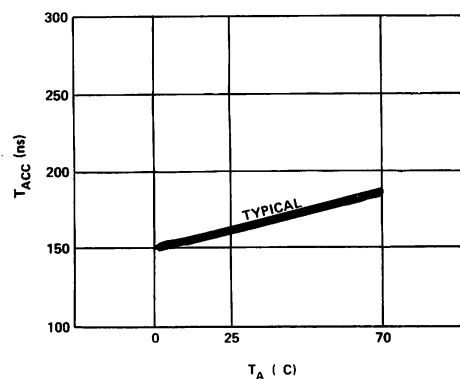


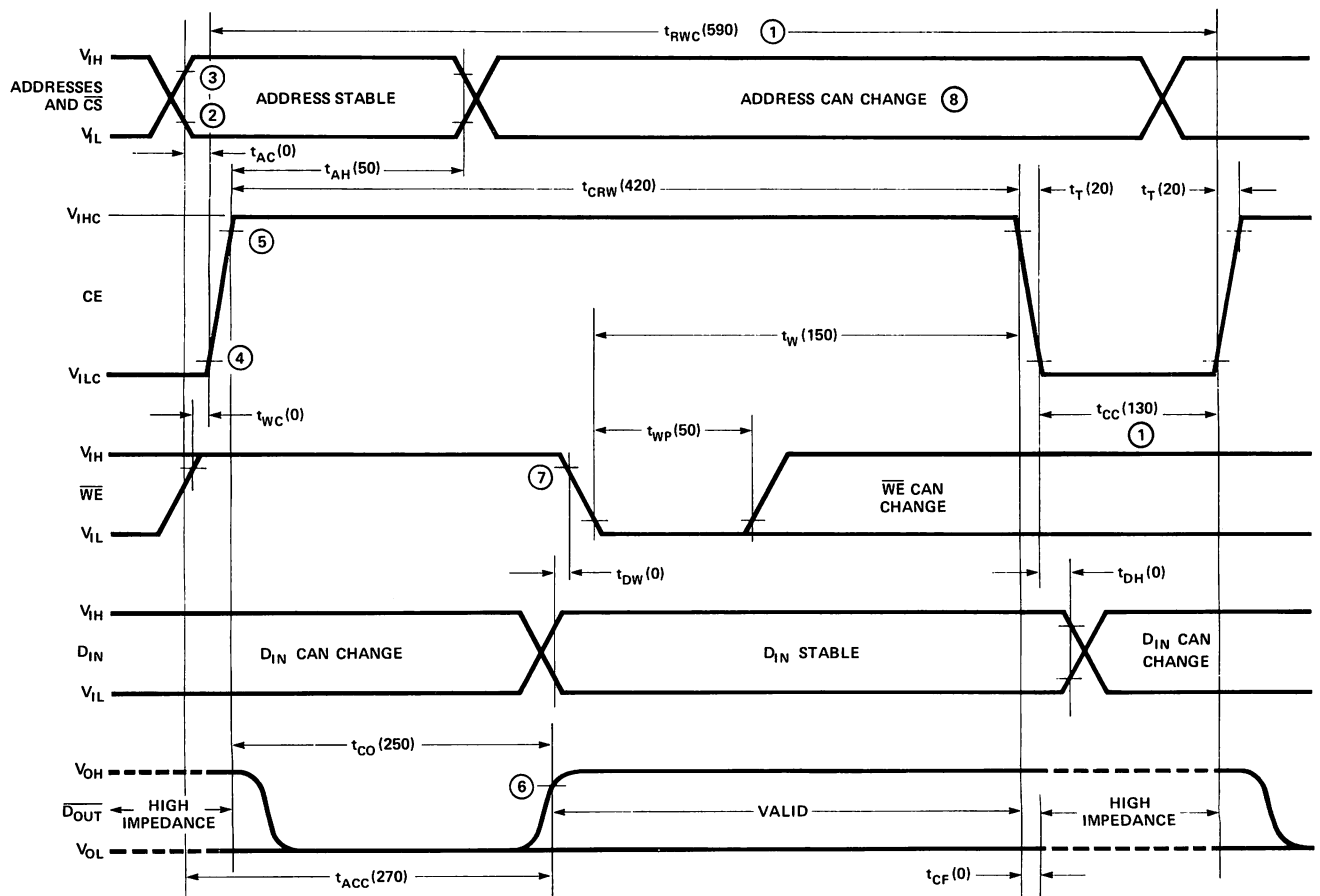
Fig. 8. TYPICAL ACCESS TIME VS. TEMPERATURE



Read Modify Write Cycle ^[1]

Symbol	Parameter	Min.	Max.	Unit	Conditions
t_{RWC}	Read Modify Write (RMW) Cycle Time	590		ns	$t_T = 20\text{ns}$ $C_{load} = 50\text{pF}$, Load = One TTL Gate, Ref = 2.0V
t_{CRW}	CE Width During RMW	420	3000	ns	
t_{WC}	\overline{WE} to CE on	0		ns	
t_W	\overline{WE} to CE off	150		ns	
t_{WP}	\overline{WE} Pulse Width	50		ns	
t_{DW}	D_{IN} to \overline{WE} Set Up	0		ns	
t_{DH}	D_{IN} Hold Time	0		ns	
t_{CO}	CE to Output Delay		250	ns	
t_{ACC}	Access Time		270	ns	$t_{ACC} = t_{AC} + t_{CO} + 1t_T$

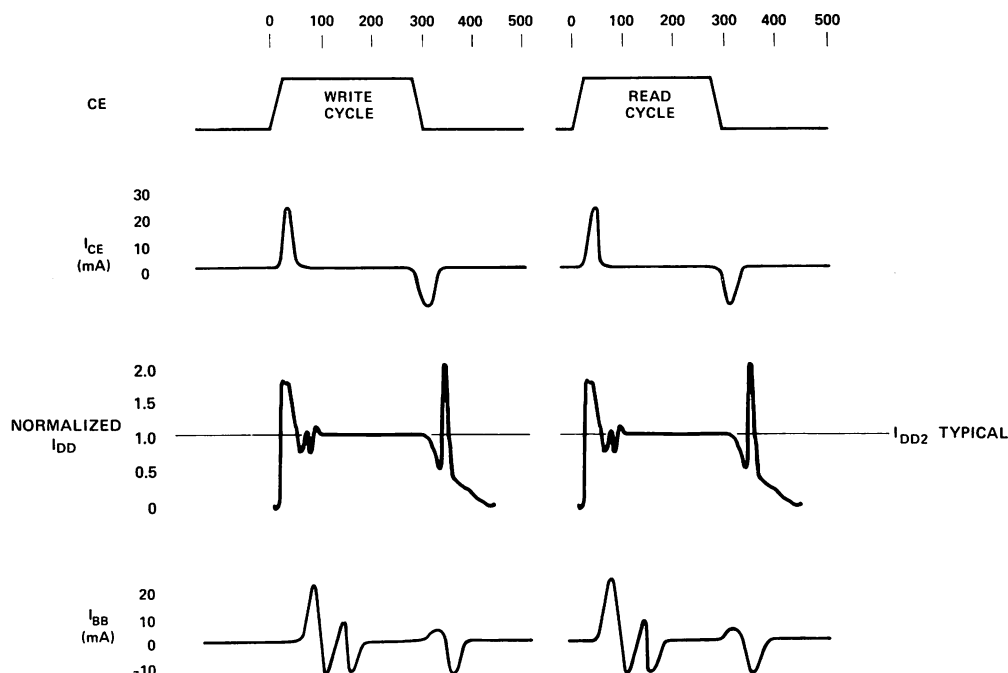
(Numbers in parentheses are for minimum cycle timing in ns.)



NOTES:

1. A.C. characteristics are guaranteed only if cumulative CE on time during t_{REF} is $\leq 65\%$ of t_{REF} . For continuous Read-Modify-Write operation, t_{CC} and t_{RWC} should be increased to at least 185ns and 645ns, respectively.
2. V_{IL} MAX is the reference level for measuring timing of the addresses, \overline{CS} , \overline{WE} , and D_{IN} .
3. V_{IH} MIN is the reference level for measuring timing of the addresses, \overline{CS} , \overline{WE} , and D_{IN} .
4. $V_{SS} + 2.0\text{V}$ is the reference level for measuring timing of CE.
5. $V_{DD} - 2\text{V}$ is the reference level for measuring timing of CE.
6. $V_{SS} + 2.0\text{V}$ is the reference level for measuring the timing of $\overline{D_{OUT}}$.
7. \overline{WE} must be at V_{IH} until end of t_{CO} .
8. During CE high typically 0.5mA will be drawn from any address pin which is switched from low to high.

Typical Current Transients vs. Time



Applications

Refresh

The 8107B-4 is refreshed by either a read cycle, write cycle, or read-modify write cycle. Only the selected row of memory array is refreshed. The row address is selected by the input signals A_0 thru A_5 . Each individual row address must receive at least one refresh cycle within any two milliseconds time period.

If a read cycle is used for refreshing, then the chip select input, \overline{CS} , can be a logic high or a logic low. If a write cycle or read-modify write cycle is used to refresh the device, then \overline{CS} must be a logic high. This will prevent writing into the memory during refresh.

Power Dissipation

The operating power dissipation of a selected device is the sum of $V_{DD} \times I_{DDAV}$ and $V_{BB} \times I_{BB}$. For a cycle of 400ns and t_{CE} of 230ns typical power dissipation is 456mW.

Standby Power

The 8107B-4 is a dynamic RAM therefore when $V_{CE} = V_{ILC}$ very little power is dissipated. In a typical system most devices are in standby with V_{CE} at V_{ILC} . During this time only leakage currents flow (i.e., I_{DD1} , I_{CC1} , I_{BB} , I_{LO} , I_{L1}). The power dissipated during this inactive period is typically 1.4mW. The typical power dissipation required to perform refresh during standby is the refresh duty cycle, 1.3%, multiplied by the operating power dissipation, or 5.9mW. The total power dissipation during standby is then 7.3mW typical.

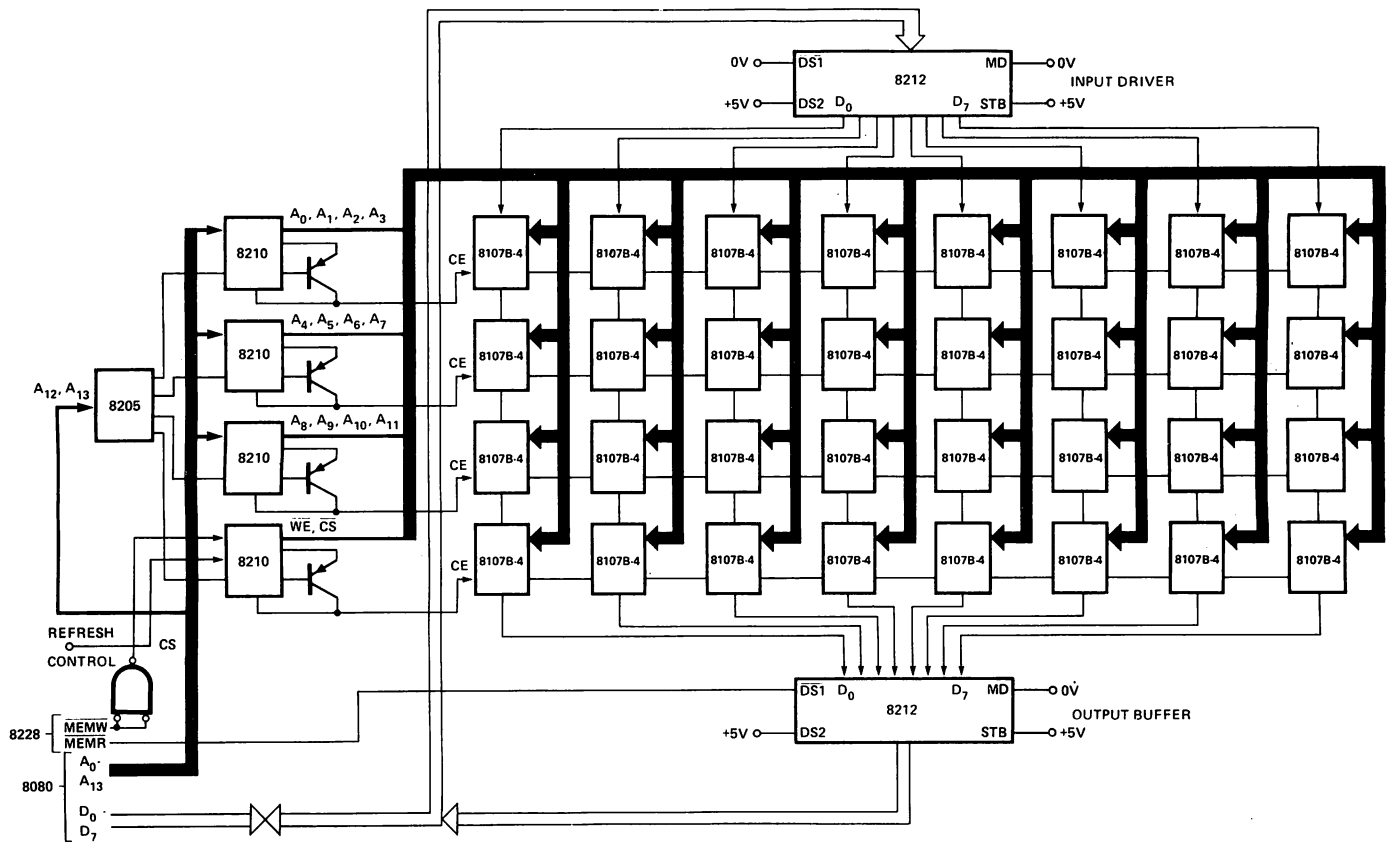
System Interfaces and Filtering

On the following page is an example of a 16K x 8 bit memory system. Device decoding is done with the CE input. All devices are unselected during refresh with CS. It is recommended that 1 μ F high frequency, low inductance capacitors be used on double sided boards. V_{CC} to V_{SS} decoupling is required only on the devices located around the periphery of the array. For each 36 devices a 100 μ F tantalum or equivalent capacitor should be placed from V_{DD} to V_{SS} close to the array.

SILICON GATE MOS 8107B-4

Typical System

Below is an example of a 16K x 8 bit memory circuit. Device decoding is done with the CE input. All devices are unselected during refresh with CS input. The 8210, 8205 and 8212 are standard Intel products.



1024 BIT (256 x 4) STATIC CMOS RAM

***Ultra Low Standby Current: 15 nA/Bit for the 5101**

- **Fast Access Time — 650 ns**
- **Single +5 V Power Supply**
- **CE₂ Controls Unconditional Standby Mode**
- **Directly TTL Compatible — All Inputs and Outputs**
- **Three-State Output**

The Intel[®] 5101 and 5101-3 are ultra-low power 1024 bit (256 words x 4-bits) static RAMs fabricated with an advanced ion-implanted silicon gate CMOS technology. The devices have two chip enable inputs. When CE₂ is at a low level, the minimum standby current is drawn by these devices, regardless of any other input transitions on the addresses and other control inputs. Also, when \overline{CE}_1 is at a high level and address and other control transitions are inhibited, the minimum standby current is drawn by these devices. When in standby the 5101 and 5101-3 draw from the single 5 volt supply only 15 microamps and 200 microamps, respectively. These devices are ideally suited for low power applications where battery operation or battery backup for non-volatility are required.

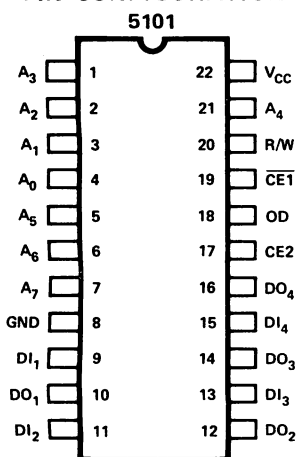
The 5101 and 5101-3 use fully DC stable (static) circuitry; it is not necessary to pulse chip select for each address transition. The data is read out non-destructively and has the same polarity as the input data. All inputs and outputs are directly TTL compatible. The 5101 and 5101-3 have separate data input and data output terminals. An output disable function is provided so that the data inputs and outputs may be wire OR-ed for use in common data I/O systems.

The 5101L and 5101L-3 are identical to the 5101 and 5101-3, respectively, with the additional feature of guaranteed data retention at a power supply voltage as low as 2.0 volts.

A pin compatible N-channel static RAM, the Intel 2101, is also available for low cost applications where a 256 x 4 organization is needed.

The Intel ion-implanted, silicon gate, complementary MOS (CMOS) allows the design and production of ultra-low power, high performance memories.

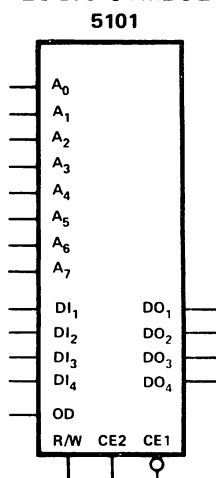
PIN CONFIGURATION



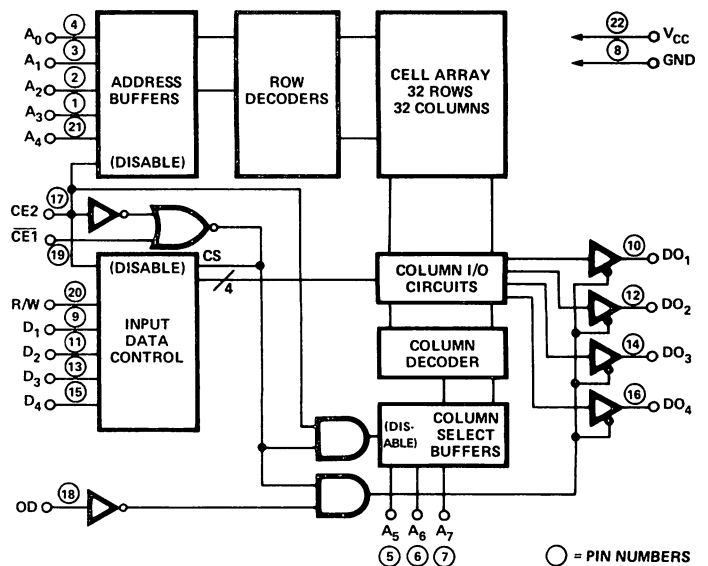
PIN NAMES

DI ₁ - DI ₄	DATA INPUT	OD	OUTPUT DISABLE
A ₀ - A ₇	ADDRESS INPUTS	DO ₁ - DO ₄	DATA OUTPUT
R/W	READ/WRITE INPUT	V _{CC}	POWER (+5V)
\overline{CE}_1 , CE ₂	CHIP ENABLE		

LOGIC SYMBOL



BLOCK DIAGRAM



SILICON GATE CMOS 5101, 5101-3, 5101L, 5101L-3

Absolute Maximum Ratings *

Ambient Temperature Under Bias 0°C to 70°C
 Storage Temperature -65°C to +150°C
 Voltage On Any Pin
 With Respect to Ground -0.3V to $V_{CC} + 0.3V$
 Maximum Power Supply Voltage +7.0V
 Power Dissipation 1 Watt

*COMMENT:

Stresses above those listed under "Absolute Maximum Rating" may cause permanent damage to the device. This is a stress rating only and functional operation of the device at these or at any other condition above those indicated in the operational sections of this specification is not implied. Exposure to absolute maximum rating conditions for extended periods may affect device reliability.

D. C. and Operating Characteristics for 5101, 5101-3, 5101L, 5101L-3

$T_A = 0^\circ\text{C}$ to 70°C , $V_{CC} = 5V \pm 5\%$ unless otherwise specified.

Symbol	Parameter	Min.	Typ. ^[1]	Max.	Unit	Test Conditions
I_{LI} ^[2]	Input Current		5		nA	$V_{IN} = 0$ to 5.25V
I_{LOH} ^[2]	Output High Leakage			1	μA	$\overline{CE1} = 2.2V, V_{OUT} = V_{CC}$
I_{LOL} ^[2]	Output Low Leakage			1	μA	$\overline{CE1} = 2.2V, V_{OUT} = 0.0V$
I_{CC1}	Operating Current		9	22	mA	$V_{IN} = V_{CC}$ Except $\overline{CE1} \leq 0.01V$ Outputs Open
I_{CC2}	Operating Current		13	27	mA	$V_{IN} = 2.2V$ Except $\overline{CE1} \leq 0.65V$ Outputs Open
5101 I_{CCL} ^[2]	Standby Current			15	μA	$V_{IN} = 0$ to V_{CC} , Except $CE2 \leq 0.2V$
5101-3 I_{CCL} ^[2]	Standby Current			200	μA	$V_{IN} = 0$ to V_{CC} , Except $CE2 \leq 0.2V$
V_{IL}	Input "Low" Voltage	-0.3		0.65	V	
V_{IH}	Input "High" Voltage	2.2		V_{CC}	V	
V_{OL}	Output "Low" Voltage			0.4	V	$I_{OL} = 2.0\text{mA}$
V_{OH}	Output "High" Voltage	2.4			V	$I_{OH} = 1.0\text{mA}$

Low V_{CC} Data Retention Characteristics (For 5101L and 5101L-3) $T_A = 0^\circ\text{C}$ to 70°C

Symbol	Parameter	Min.	Typ. ^[1]	Max.	Unit	Test Conditions	
V_{DR}	V_{CC} for Data Retention	2.0			V	$CE2 \leq 0.2V$	
5101L I_{CCDR}	Data Retention Current			15	μA		$V_{DR} = 2.0V$
5101L-3 I_{CCDR}	Data Retention Current			200	μA		$V_{DR} = 2.0V$
t_{CDR}	Chip Deselect to Data Retention Time	0			ns		
t_R	Operation Recovery Time	t_{RC} ^[3]			ns		

NOTES: 1. Typical values are $T_A = 25^\circ\text{C}$ and nominal supply voltage. 2. Current through all inputs and outputs included in I_{CCL} measurement. 3. t_{RC} = Read Cycle Time.

A.C. Characteristics for 5101, 5101-3, 5101L, 5101L-3

READ CYCLE $T_A = 0^\circ\text{C}$ to 70°C , $V_{CC} = 5\text{V} \pm 5\%$, unless otherwise specified.

Symbol	Parameter	Min.	Typ.	Max.	Unit	Test Conditions
t_{RC}	Read Cycle	650			ns	(See below)
t_A	Access Time			650	ns	
t_{C01}	Chip Enable ($\overline{CE1}$) to Output			600	ns	
t_{C02}	Chip Enable (CE2) to Output			700	ns	
t_{OD}	Output Disable To Output			350	ns	
t_{DF}	Data Output to High Z State	0		150	ns	
t_{OH1}	Previous Read Data Valid with Respect to Address Change	0			ns	
t_{OH2}	Previous Read Data Valid with Respect to Chip Enable	0			ns	

WRITE CYCLE

Symbol	Parameter	Min.	Typ.	Max.	Unit	Test Conditions
t_{WC}	Write Cycle	650			ns	(See below)
t_{AW}	Write Delay	150			ns	
t_{CW1}	Chip Enable ($\overline{CE1}$) To Write	550			ns	
t_{CW2}	Chip Enable (CE2) To Write	550			ns	
t_{DW}	Data Setup	400			ns	
t_{DH}	Data Hold	100			ns	
t_{WP}	Write Pulse	400			ns	
t_{WR}	Write Recovery	50			ns	
t_{DS}	Output Disable Setup	150			ns	

A. C. CONDITIONS OF TEST

Input Pulse Levels: +0.65 Volt to 2.2 Volt

Input Pulse Rise and Fall Times: 20nsec

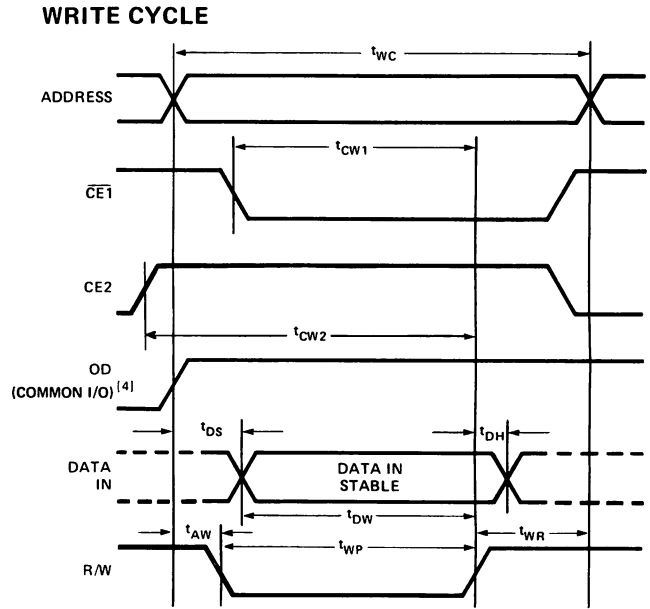
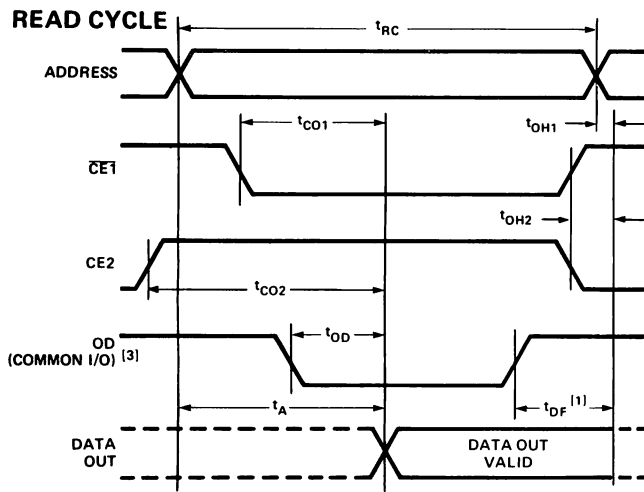
Timing Measurement Reference Level: 1.5 Volt

Output Load: 1 TTL Gate and $C_L = 100\text{pF}$

Capacitance^[2] $T_A = 25^\circ\text{C}$, $f = 1\text{MHz}$

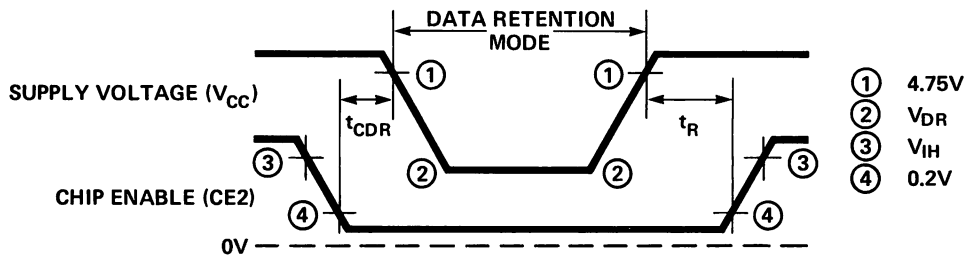
Symbol	Test	Limits (pF)	
		Typ.	Max.
C_{IN}	Input Capacitance (All Input Pins) $V_{IN} = 0\text{V}$	4	8
C_{OUT}	Output Capacitance $V_{OUT} = 0\text{V}$	8	12

Waveforms



- NOTES: 1. Typical values are for $T_A = 25^\circ\text{C}$ and nominal supply voltage.
 2. This parameter is periodically sampled and is not 100% tested.
 3. OD may be tied low for separate I/O operation.
 4. During the write cycle, OD is "high" for common I/O and "don't care" for separate I/O operation.

Low V_{CC} Data Retention





Schottky Bipolar 8210

TTL-TO-MOS LEVEL SHIFTER AND HIGH VOLTAGE CLOCK DRIVER

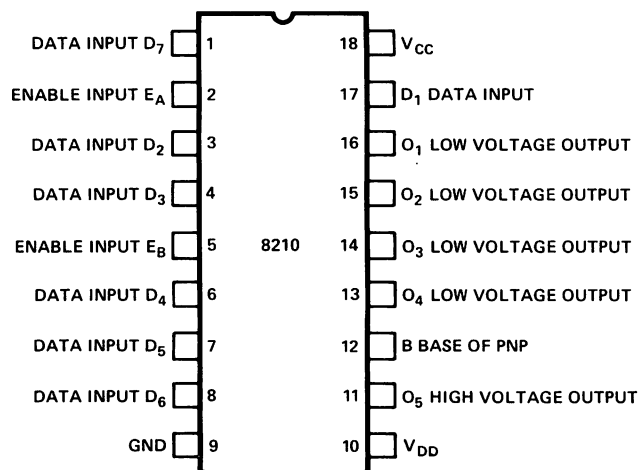
- Four Low Voltage Drivers
- One High Voltage Driver
- TTL and DTL Compatible Inputs
- Outputs Compatible with 8107A MOS Memories
- Operates from Standard Bipolar and MOS Power Supplies
- Maximum MOS Device Protection — Output Clamp Diodes

The Intel[®] 8210 is a Bipolar-to-MOS level shifter and high voltage driver which accepts TTL and DTL inputs. It contains four (4) low voltage drivers and one high voltage driver, each with current driving capabilities suitable for driving N-channel MOS memory devices. The 8210 is particularly suitable for driving the 8107A N-channel MOS memory chips. The 8210 operates from the 5 volt and 12 volt power supplies used to bias the memory devices.

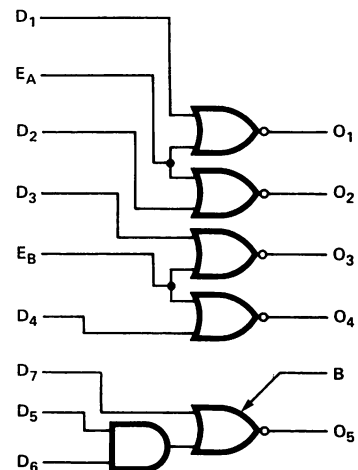
The four low voltage drivers feature two common enable inputs per pair of drivers which permits address or data decoding. The high voltage driver swings the 12 volts required to drive the chip enable (clock) input for the 8107A.

The 8210 high voltage driver requires an externally connected PNP transistor. The PNP base is connected to pin 12, the collector to pin 11, and the emitter to pin 10 or V_{DD} . The use of a fast switching, high voltage, high current gain PNP, like the 2N5057 is recommended.

PIN CONFIGURATION



LOGIC SYMBOL



A.C. Characteristics $T_A = 0^\circ\text{C}$ to 70°C , $V_{CC} = 5.0\text{V} \pm 5\%$, $V_{DD} = 12\text{V} \pm 5\%$

Symbol	Parameter	Min.	Typ.	Max.	Unit
t_{Ld+}	Delay Plus Rise Time for Low Voltage Drivers	5	13	20	ns
t_{Ld-}	Delay Plus Fall Time for Low Voltage Drivers	5	13	20	ns
t_{Hd+}	Delay Plus Rise Time for High Voltage Driver	10	30	40	ns
t_{Hd-}	Delay Plus Fall Time for High Voltage Driver	10	30	40	ns

Capacitance* $T_A = 25^\circ\text{C}$

Symbol	Test	Typ.	Max.
C_{IN}	Input Capacitance	6 pF	12 pF

*This parameter is periodically sampled and is not 100% tested. Condition of measurement is $f = 1\text{MHz}$, $V_{bias} = 2\text{V}$, $V_{CC} = 0\text{V}$, and $T_A = 25^\circ\text{C}$.

A.C. CONDITIONS OF TEST

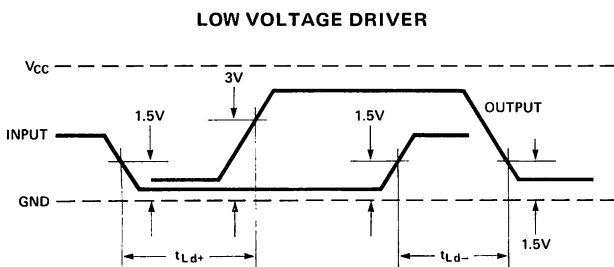
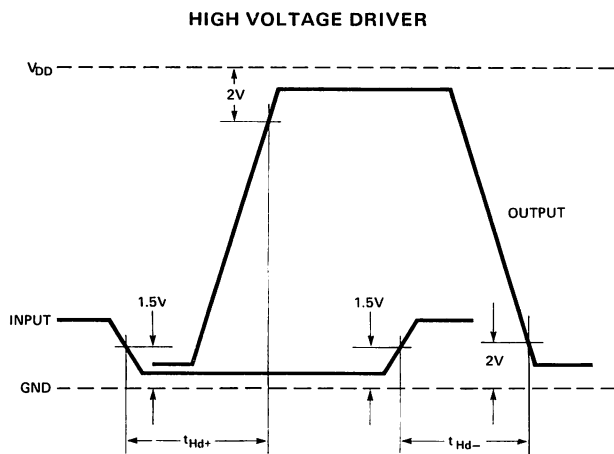
Test Load: $C_L = 200\text{pF}$ for Low Voltage Drivers,
 $C_L = 350\text{pF}$ for High Voltage Drivers

Input Pulse Amplitudes: 3.0V

Input Pulse Rise and Fall Times: 5 ns between
 1 volt and 2 volts

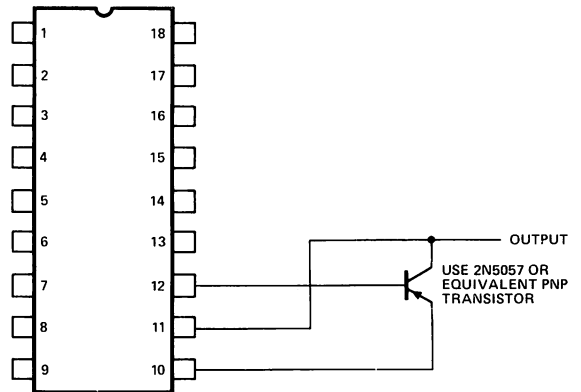
Measurement Points: See Waveforms

Waveforms



Application

HIGH VOLTAGE OUTPUT CONNECTIONS



SCHOTTKY BIPOLAR 8210

Absolute Maximum Ratings*

Temperature Under Bias	0°C to 70°C
Storage Temperature	-65°C to +150°C
Supply Voltage, V _{CC}	-0.5 to +7V
Supply Voltage, V _{DD}	-0.5 to +13V

All Input Voltages	-1.0 to +5.5V
Outputs for Low Voltage Drivers	-0.5 to +7V
Outputs for Clock Driver	-1.0 to +13V
Power Dissipation at 25°C	2W

*COMMENT: Stresses above those listed under "Absolute Maximum Ratings" may cause permanent damage to the device. This is a stress rating only and functional operation of the device at these or any other conditions above those indicated in the operational sections of this specification is not implied. Exposure to absolute maximum rating conditions for extended periods may affect device reliability.

D.C. Characteristics T_A = 0°C to 70°C, V_{CC} = 5.0V ± 5%, V_{DD} = 12V ± 5%

Symbol	Parameter	Min.	Max.	Unit	Test Conditions
I _{FD}	Data Input Load Current		-0.25	mA	V _F = 0.45V
I _{FE}	Enable Input Load Current		-0.50	mA	V _F = 0.45V
I _{RD}	Data Input Leakage Current		10	μA	V _R = 12.6V
I _{RE}	Enable Input Leakage Current		20	μA	V _R = 12.6V
V _{OL}	Output Low Voltage for all Drivers		0.45	V	I _{OL} = 3mA, V _{IH} = 2V
		-1.0		V	I _{OL} = -5mA
V _{OH1}	Output High Voltage for Low Voltage Drivers	V _{CC} - 1.0		V	I _{OH} = -1mA, V _{IL} = 0.8V
			V _{CC} + 1.0	V	I _{OH} = 5mA
V _{OH2}	Output High Voltage for High Voltage Driver	V _{DD} - 0.75		V	I _{OH} = -1mA, V _{IL} = 0.8V
			V _{DD} + 0.5	V	I _{OH} = 5mA
I _{O1}	Pulsed Output Sink Current for Low Voltage Drivers	75		mA	V _O = 2V, V _{IH} = 2V
I _{O2}	Pulsed Output Sink Current for High Voltage Driver	100		mA	V _O = 3V, V _{IH} = 2V
I _{O3}	Pulsed Output Source Current for Low Voltage Drivers	-75		mA	V _O = V _{CC} - 1.5V, V _{IL} = 0.8V
I _{O4}	Pulsed Output Source Current for High Voltage Driver	-100		mA	V _O = V _{DD} - 3V, V _{IL} = 0.8V
V _{IL}	Input Low Voltage, All Inputs		0.8	V	
V _{IH}	Input High Voltage, All Inputs	2		V	

POWER SUPPLY CURRENT DRAIN AND POWER DISSIPATION

All driver outputs are in the state indicated

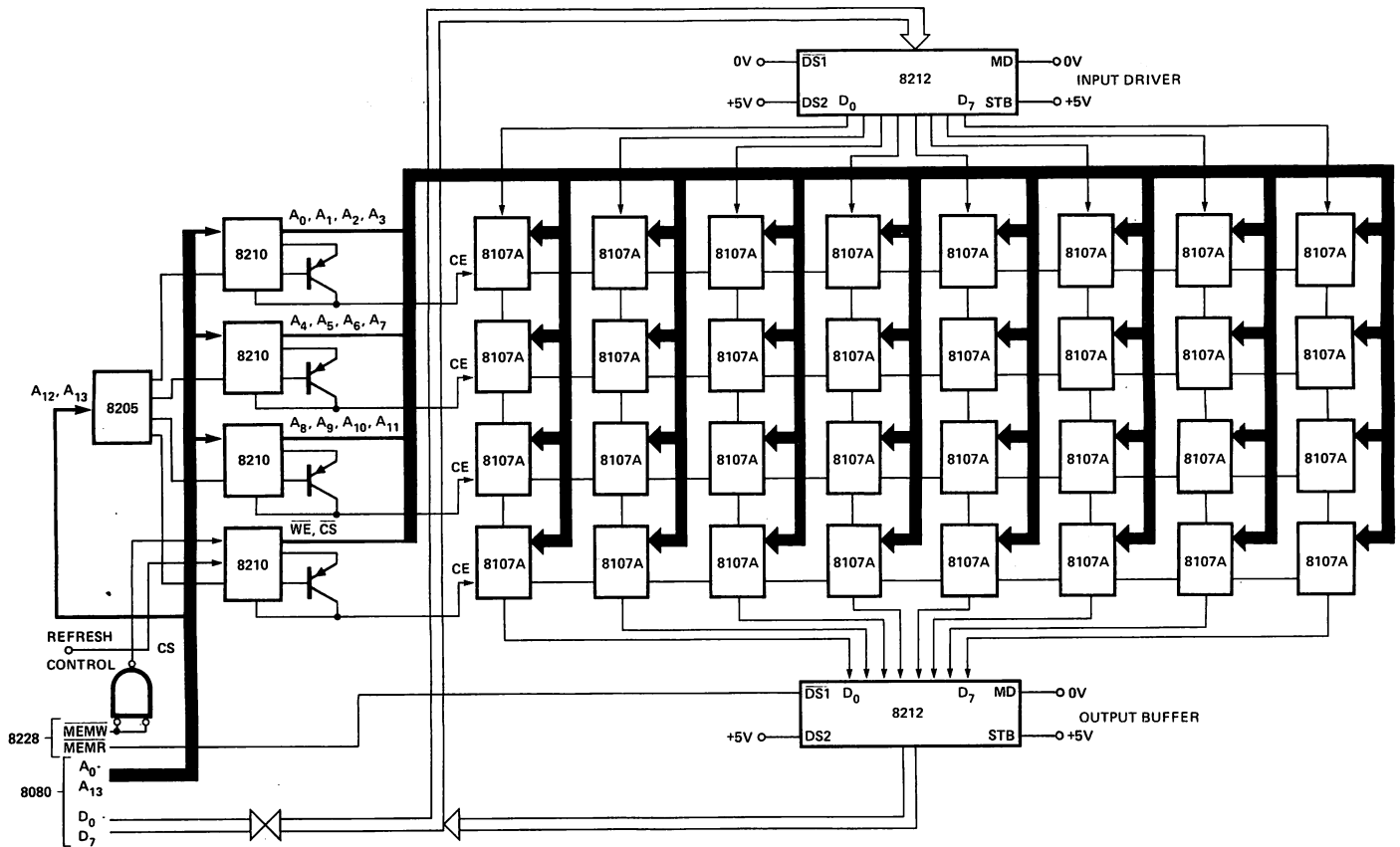
Symbol	Parameter	Typ. ^[1]	Max.	Unit	Test Conditions -- Input states to ensure the following output states:		Additional Test Conditions
					All Low Voltage Outputs	High Voltage Output	
I _{CC1}	Current from V _{CC}	26	35	mA	Low	Low	V _{CC} = 5.25V, V _{DD} = 12.6V
I _{DD1}	Current from V _{DD}	12	16	mA	Low	Low	
P _{D1}	Power Dissipation	290	390	mW	Low	Low	
I _{CC2}	Current from V _{CC}	21	28	mA	Low	High	
I _{DD2}	Current from V _{DD}	26	35	mA	Low	High	
P _{D2}	Power Dissipation	450	600	mW	Low	High	
I _{CC3}	Current from V _{CC}	19	25	mA	High	Low	
I _{DD3}	Current from V _{DD}	12	16	mA	High	Low	
P _{D3}	Power Dissipation	260	340	mW	High	Low	
I _{CC4}	Current from V _{CC}	14	18	mA	High	High	
I _{DD4}	Current from V _{DD}	26	35	mA	High	High	
P _{D4}	Power Dissipation	410	550	mW	High	High	

[1] This parameter is periodically sampled and is not 100% tested. Condition of measurement is T_A = 25°C, V_{CC} = 5V, V_{DD} = 12V.

SCHOTTKY BIPOLAR 8210

Typical System

Below is an example of a 16K x 8 bit memory circuit. Device decoding is done with the CE input. All devices are unselected during refresh with CS input. The 8210, 8205 and 8212 are standard Intel products.

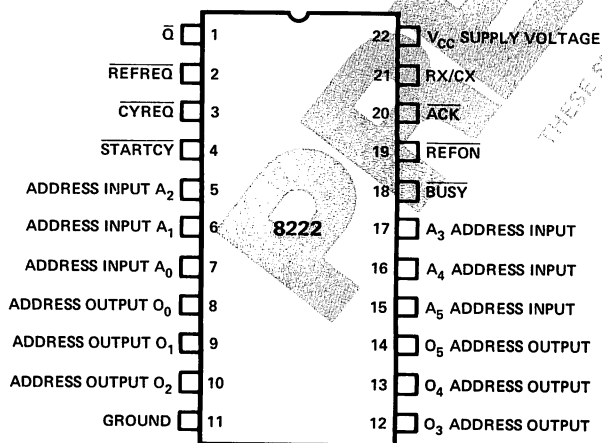


DYNAMIC MEMORY REFRESH CONTROLLER

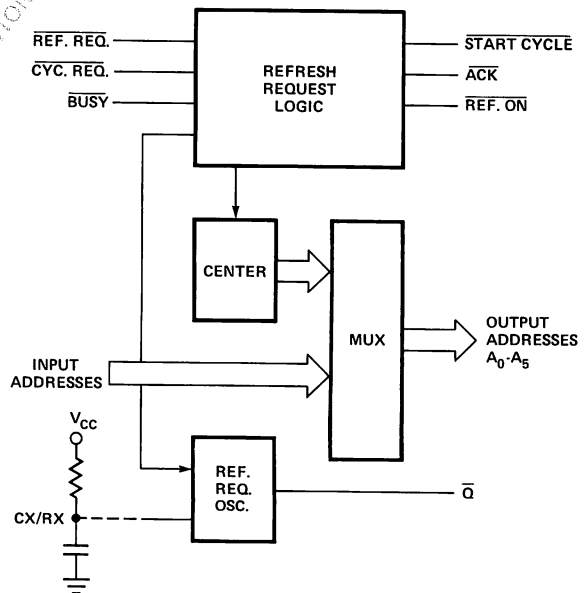
- Adjustable Refresh Request Oscillator
- Ideal for 8107A, 8107B 4K RAM Refresh
- Internal Address Multiplexer
- Up to 6 Row Input Addresses (64 x 64 Organization)

The 8222 is a refresh controller for dynamic RAMs requiring row refresh of up to 6 row input addresses (or 4K bits for 64 x 64 organization). The device contains an accurate refresh timer (whose frequency can be set by an external resistor and capacitor) plus all necessary control and I/O circuitry to provide for the refresh requirements of dynamic RAMs. The chip's high performance makes it especially suitable for use with high speed N-channel RAMs like the 8107B. The 8222 is designed for large, asynchronously driven, dynamic memory systems.

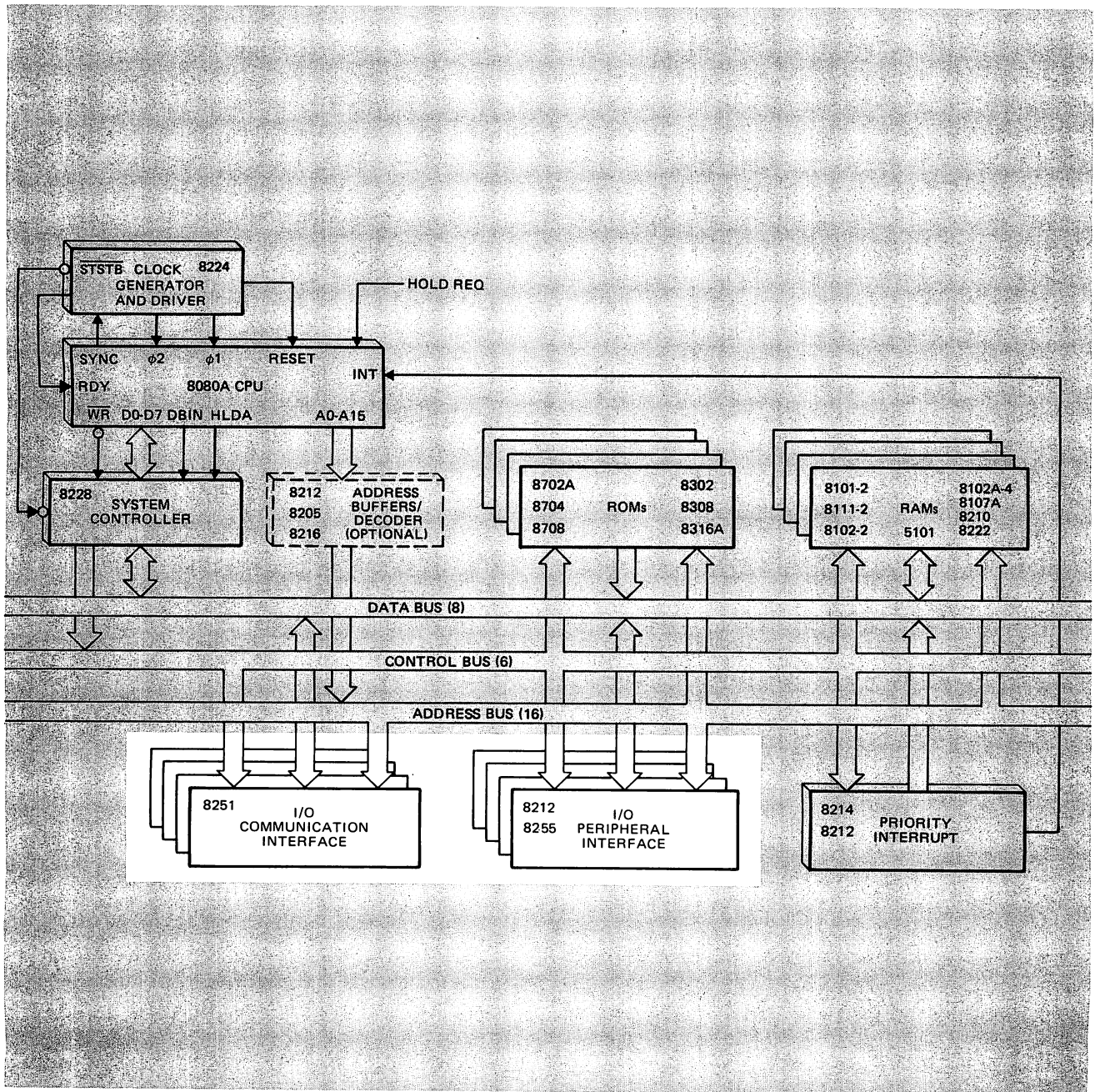
PIN CONFIGURATION



BLOCK DIAGRAM



I/O
8212
8255
8251



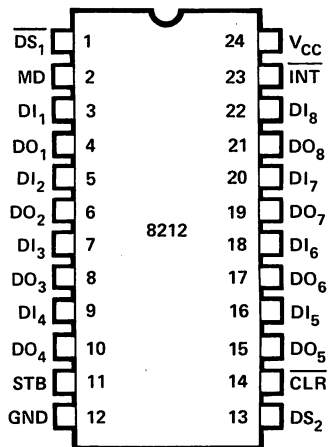
EIGHT-BIT INPUT/OUTPUT PORT

- Fully Parallel 8-Bit Data Register and Buffer
- Service Request Flip-Flop for Interrupt Generation
- Low Input Load Current — .25 mA Max.
- Three State Outputs
- Outputs Sink 15 mA
- 3.65V Output High Voltage for Direct Interface to 8080 CPU or 8008 CPU
- Asynchronous Register Clear
- Replaces Buffers, Latches and Multiplexers in Micro-computer Systems
- Reduces System Package Count

The 8212 input/output port consists of an 8-bit latch with 3-state output buffers along with control and device selection logic. Also included is a service request flip-flop for the generation and control of interrupts to the microprocessor.

The device is multimode in nature. It can be used to implement latches, gated buffers or multiplexers. Thus, all of the principal peripheral and input/output functions of a microcomputer system can be implemented with this device.

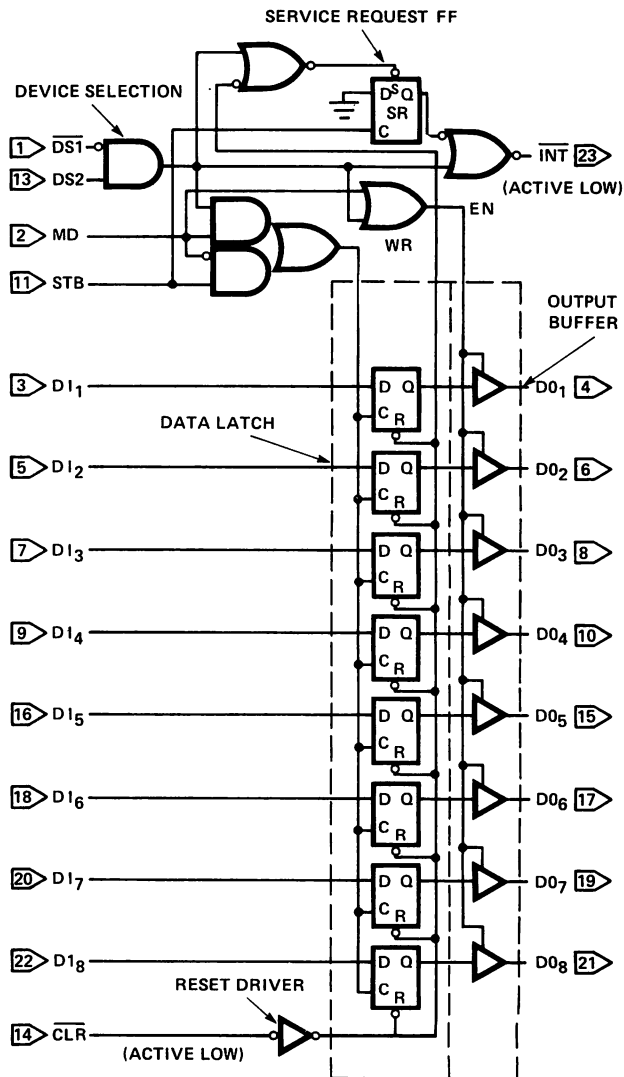
PIN CONFIGURATION



PIN NAMES

DI ₁ -DI ₈	DATA IN
DO ₁ -DO ₈	DATA OUT
DS ₁ -DS ₂	DEVICE SELECT
MD	MODE
STB	STROBE
INT	INTERRUPT (ACTIVE LOW)
CLR	CLEAR (ACTIVE LOW)

LOGIC DIAGRAM



Functional Description

Data Latch

The 8 flip-flops that make up the data latch are of a "D" type design. The output (Q) of the flip-flop will follow the data input (D) while the clock input (C) is high. Latching will occur when the clock (C) returns low.

The data latch is cleared by an asynchronous reset input ($\overline{\text{CLR}}$). (Note: Clock (C) Overrides Reset ($\overline{\text{CLR}}$).)

Output Buffer

The outputs of the data latch (Q) are connected to 3-state, non-inverting output buffers. These buffers have a common control line (EN); this control line either enables the buffer to transmit the data from the outputs of the data latch (Q) or disables the buffer, forcing the output into a high impedance state. (3-state)

This high-impedance state allows the designer to connect the 8212 directly onto the microprocessor bi-directional data bus.

Control Logic

The 8212 has control inputs $\overline{\text{DS1}}$, DS2, MD and STB. These inputs are used to control device selection, data latching, output buffer state and service request flip-flop.

$\overline{\text{DS1}}$, DS2 (Device Select)

These 2 inputs are used for device selection. When $\overline{\text{DS1}}$ is low and DS2 is high ($\overline{\text{DS1}} \cdot \text{DS2}$) the device is selected. In the selected state the output buffer is enabled and the service request flip-flop (SR) is asynchronously set.

MD (Mode)

This input is used to control the state of the output buffer and to determine the source of the clock input (C) to the data latch.

When MD is high (output mode) the output buffers are enabled and the source of clock (C) to the data latch is from the device selection logic ($\overline{\text{DS1}} \cdot \text{DS2}$). When MD is low (input mode) the output buffer state is determined by the device selection logic ($\overline{\text{DS1}} \cdot \text{DS2}$) and the source of clock (C) to the data latch is the STB (Strobe) input.

STB (Strobe)

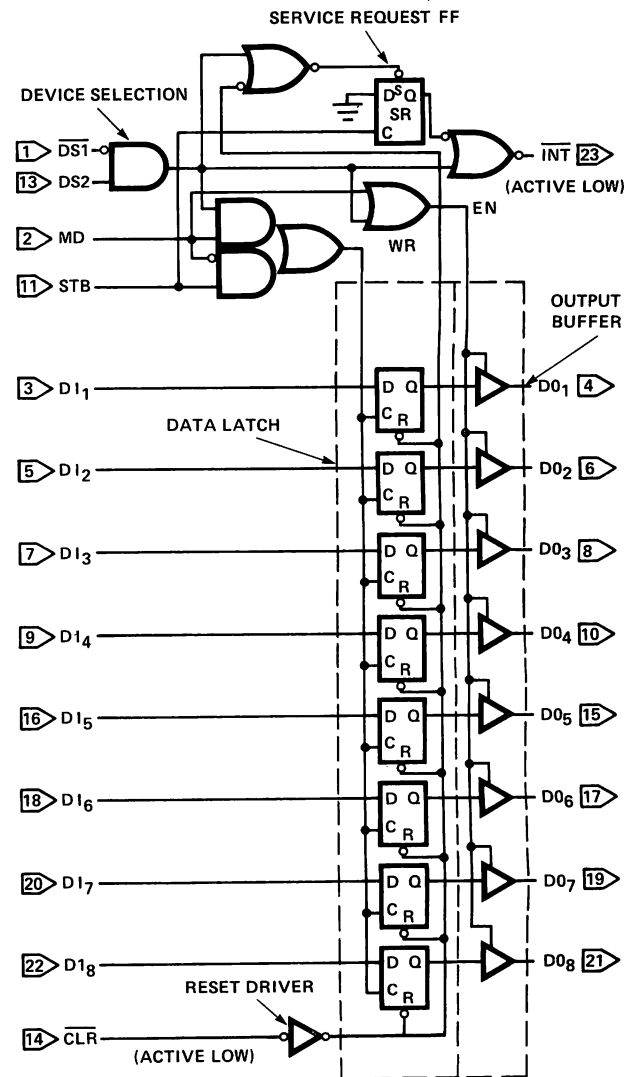
This input is used as the clock (C) to the data latch for the input mode MD = 0) and to synchronously reset the service request flip-flop (SR).

Note that the SR flip-flop is negative edge triggered.

Service Request Flip-Flop

The (SR) flip-flop is used to generate and control interrupts in microcomputer systems. It is asynchronously set by the $\overline{\text{CLR}}$ input (active low). When the (SR) flip-flop is set it is in the non-interrupting state.

The output of the (SR) flip-flop (Q) is connected to an inverting input of a "NOR" gate. The other input to the "NOR" gate is non-inverting and is connected to the device selection logic ($\text{DS1} \cdot \text{DS2}$). The output of the "NOR" gate ($\overline{\text{INT}}$) is active low (interrupting state) for connection to active low input priority generating circuits.



STB	MD	($\overline{\text{DS1}} \cdot \text{DS2}$)	DATA OUT EQUALS	CLR	($\overline{\text{DS1}} \cdot \text{DS2}$)	STB	*SR	INT
0	0	0	3-STATE	0	0	0	1	1
1	0	0	3-STATE	0	1	0	1	0
0	1	0	DATA LATCH	1	1	0	0	0
1	1	0	DATA LATCH	1	1	0	1	0
0	0	1	DATA LATCH	1	0	0	1	1
1	0	1	DATA IN	1	0	0	1	1
0	1	1	DATA IN	1	1	1	1	0
1	1	1	DATA IN	1	1	1	1	0

*INTERNAL SR FLIP-FLOP
CLR - RESETS DATA LATCH
SETS SR FLIP-FLOP
(NO EFFECT ON OUTPUT BUFFER)

Applications Of The 8212 -- For Microcomputer Systems

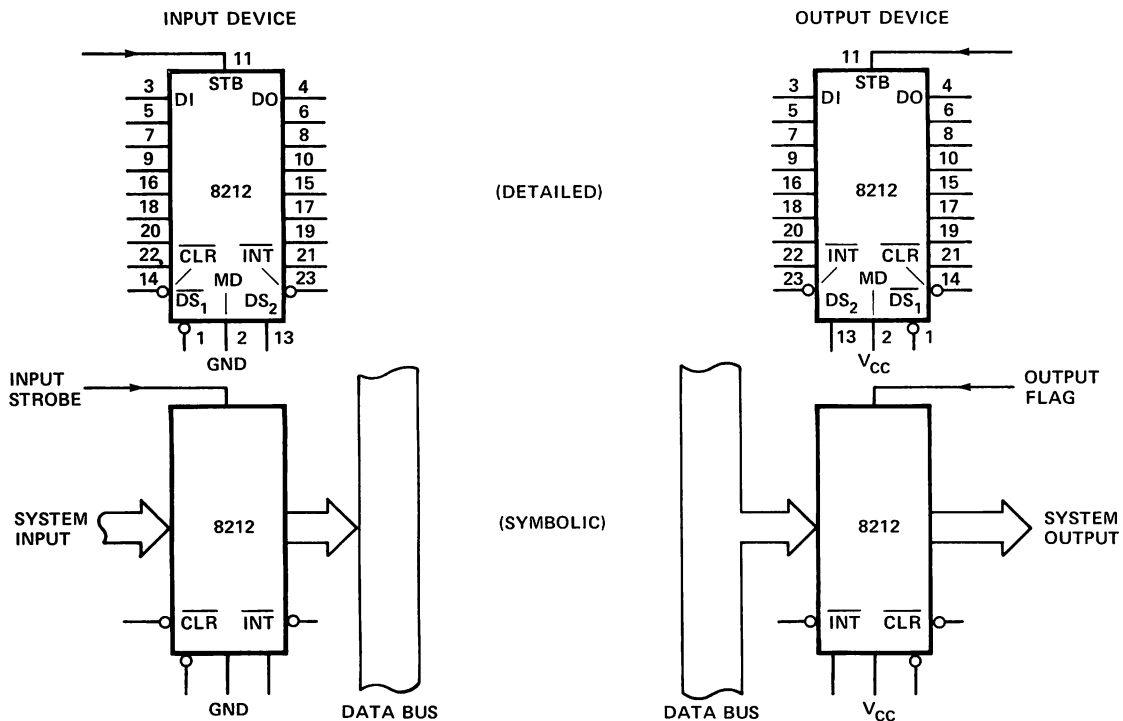
- | | | | |
|-----|----------------------------|------|----------------------------|
| I | Basic Schematic Symbol | VII | 8080 Status Latch |
| II | Gated Buffer | VIII | 8008 System |
| III | Bi-Directional Bus Driver | IX | 8080 System: |
| IV | Interrupting Input Port | | 8 Input Ports |
| V | Interrupt Instruction Port | | 8 Output Ports |
| VI | Output Port | | 8 Level Priority Interrupt |

I. Basic Schematic Symbols

Two examples of ways to draw the 8212 on system schematics—(1) the top being the detailed view showing pin numbers, and (2) the bottom being the symbolic view showing the system input or output

as a system bus (bus containing 8 parallel lines). The output to the data bus is symbolic in referencing 8 parallel lines.

BASIC SCHEMATIC SYMBOLS



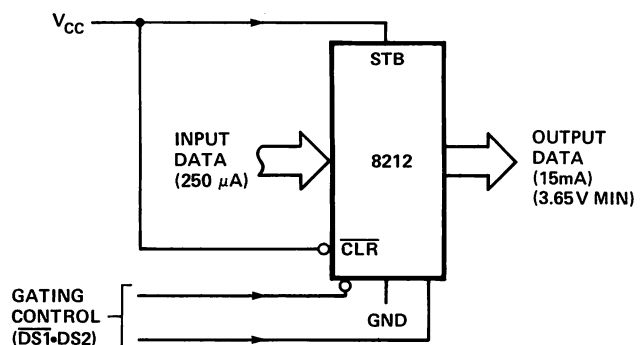
II. Gated Buffer (3 - STATE)

The simplest use of the 8212 is that of a gated buffer. By tying the mode signal low and the strobe input high, the data latch is acting as a straight through gate. The output buffers are then enabled from the device selection logic DS₁ and DS₂.

When the device selection logic is false, the outputs are 3-state.

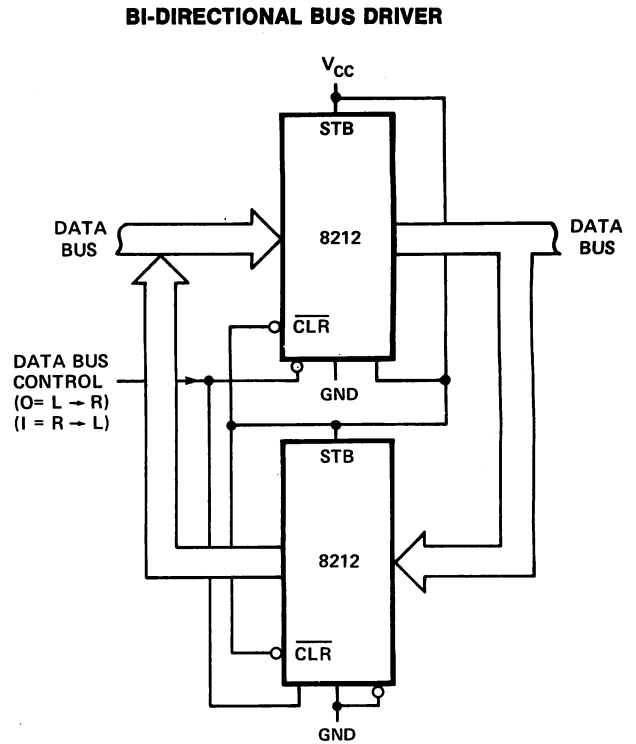
When the device selection logic is true, the input data from the system is directly transferred to the output. The input data load is 250 micro amps. The output data can sink 15 milli amps. The minimum high output is 3.65 volts.

GATED BUFFER 3-STATE



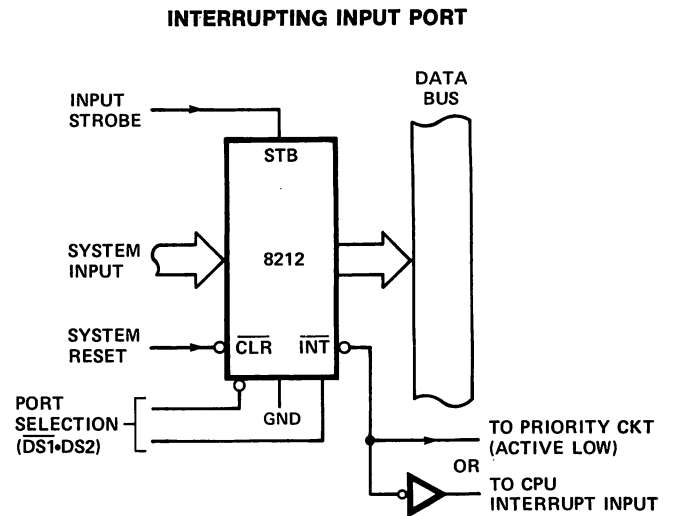
III. Bi-Directional Bus Driver

A pair of 8212's wired (back-to-back) can be used as a symmetrical drive, bi-directional bus driver. The devices are controlled by the data bus input control which is connected to $\overline{DS1}$ on the first 8212 and to DS2 on the second. One device is active, and acting as a straight through buffer the other is in 3-state mode. This is a very useful circuit in small system design.



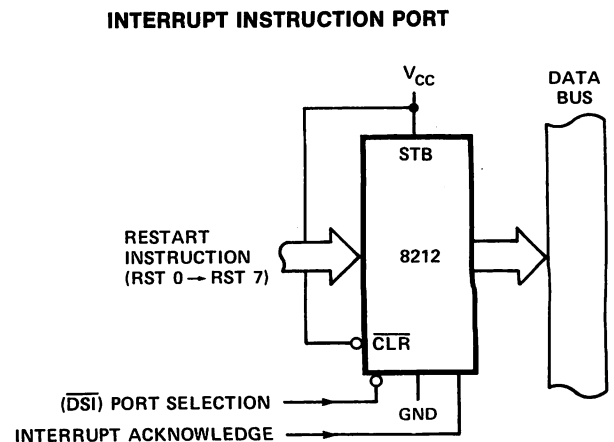
IV. Interrupting Input Port

This use of an 8212 is that of a system input port that accepts a strobe from the system input source, which in turn clears the service request flip-flop and interrupts the processor. The processor then goes through a service routine, identifies the port, and causes the device selection logic to go true — enabling the system input data onto the data bus.



V. Interrupt Instruction Port

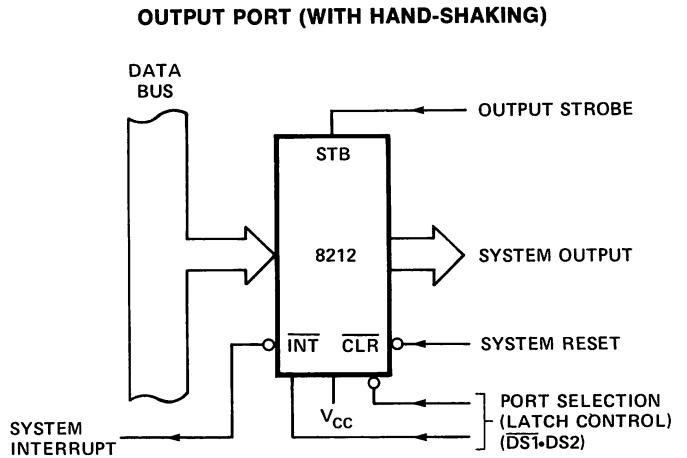
The 8212 can be used to gate the interrupt instruction, normally RESTART instructions, onto the data bus. The device is enabled from the interrupt acknowledge signal from the microprocessor and from a port selection signal. This signal is normally tied to ground. ($\overline{DS1}$ could be used to multiplex a variety of interrupt instruction ports onto a common bus).



SCHOTTKY BIPOLAR 8212

VI. Output Port (With Hand-Shaking)

The 8212 can be used to transmit data from the data bus to a system output. The output strobe could be a hand-shaking signal such as "reception of data" from the device that the system is outputting to. It in turn, can interrupt the system signifying the reception of data. The selection of the port comes from the device selection logic. ($\overline{DS1} \cdot DS2$)



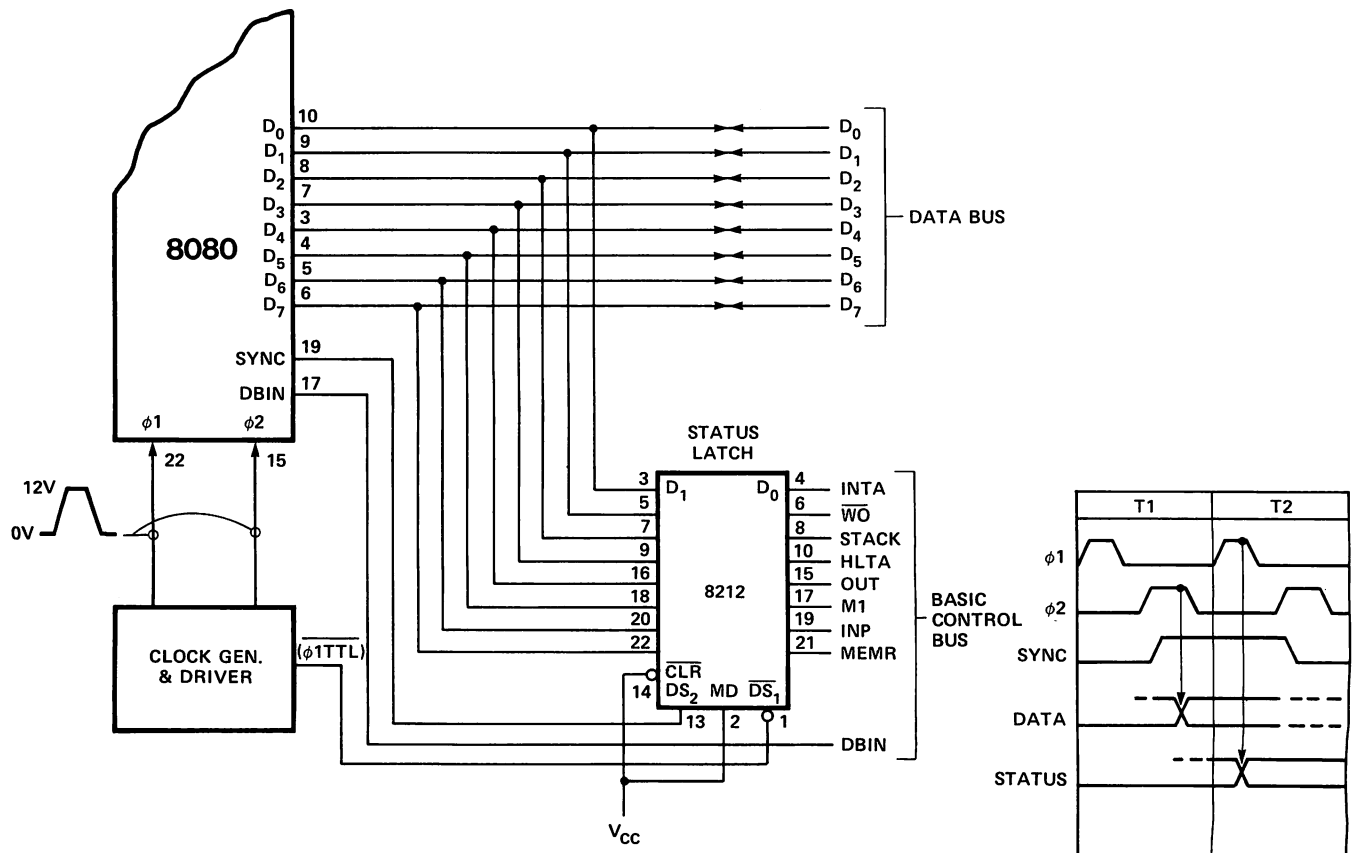
VII. 8080 Status Latch

Here the 8212 is used as the status latch for an 8080 microcomputer system. The input to the 8212 latch is directly from the 8080 data bus. Timing shows that when the SYNC signal is true, which is connected to the DS2 input and the phase 1 signal is true, which is a TTL level coming from the clock generator; then, the status data will be latched into the 8212.

Note: The mode signal is tied high so that the output on the latch is active and enabled all the time.

It is shown that the two areas of concern are the bidirectional data bus of the microprocessor and the control bus.

8080 STATUS LATCH



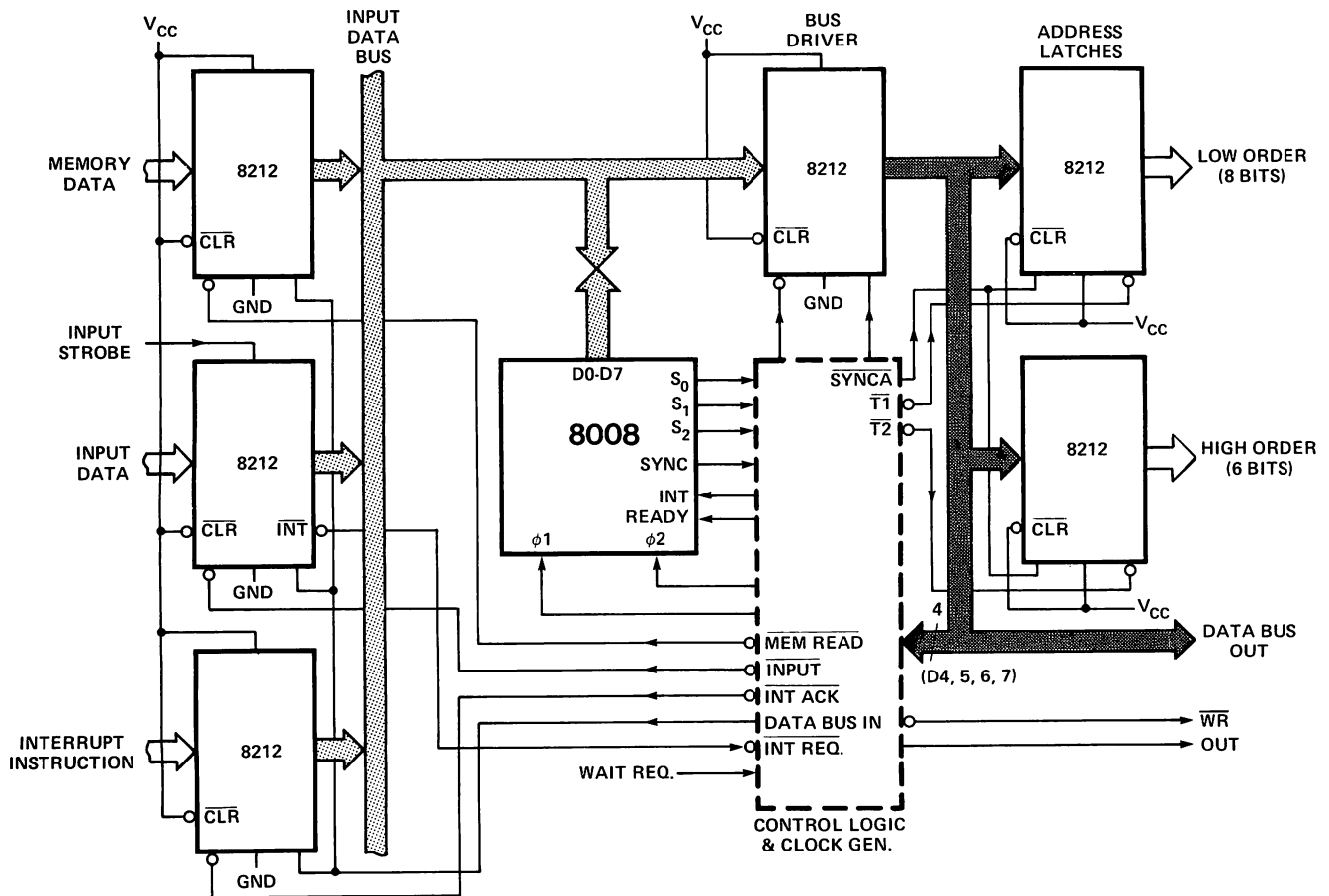
SCHOTTKY BIPOLAR 8212

VIII. 8008 System

This shows the 8212 used in an 8008 microcomputer system. They are used to multiplex the data from three different sources onto the 8008 input data bus. The three sources of data are: memory data, input data, and the interrupt instruction. The 8212 is also used as the uni-directional bus driver to provide a proper drive to the address latches (both low order and high order are also 8212's) and to provide adequate drive to the output data bus. The control of these six 8212's in the 8008 system is provided by the control logic and clock generator circuits. These circuits consist of flip-flops, decoders, and gates to generate the control functions necessary for 8008 microcomputer systems. Also note that the input data port has a strobe input. This allows the proces-

sor to be interrupted from the input port directly. The control of the input bus consists of the data bus input signal, control logic, and the appropriate status signal for bus discipline whether memory read, input, or interrupt acknowledge. The combination of these four signals determines which one of these three devices will have access to the input data bus. The bus driver, which is implemented in an 8212, is also controlled by the control logic and clock generator so it can be 3-stated when necessary and also as a control transmission device to the address latches. Note: The address latches can be 3-stated for DMA purposes and they provide 15 milli amps drive, sufficient for large bus systems.

8008 SYSTEM



IX. 8080 System

This drawing shows the 8212 used in the I/O section of an 8080 microcomputer system. The system consists of 8 input ports, 8 output ports, 8 level priority systems, and a bidirectional bus driver. (The data bus within the system is darkened for emphasis). Basically, the operation would be as follows: The 8 ports, for example, could be connected to 8 keyboards, each keyboard having its own priority level. The keyboard could provide a strobe input of its own which would clear the service request flip-flop. The $\overline{\text{INT}}$ signals are connected to an 8 level priority encoding circuit. This circuit provides a positive true level to the central processor (INT) along with a three-bit code to the interrupt instruction port for the generation of RESTART instructions. Once the processor has been interrupted and it acknowledges the reception of the interrupt, the Interrupt Acknowledge signal is generated. This signal transfers data in the form of a RESTART instruction onto the buffered data bus. When the DBIN signal is true this RESTART instruction is gated into the microcomputer, in this case, the 8080 CPU. The 8080 then performs a software controlled interrupt service routine, saving the status of its current operation in the push-down stack and performing an INPUT instruction. The INPUT instruction thus sets the INP status

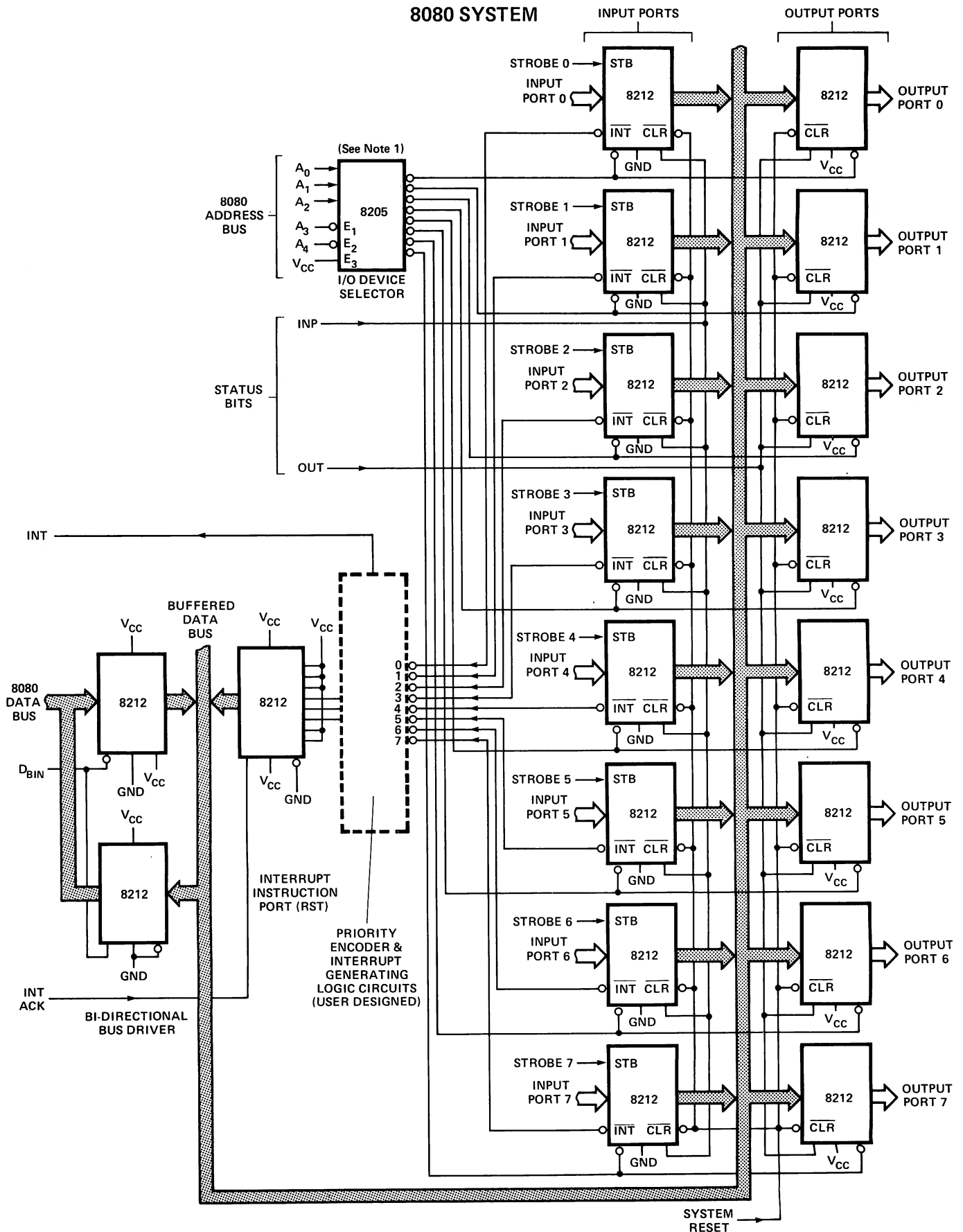
bit, which is common to all input ports.

Also present is the address of the device on the 8080 address bus which in this system is connected to an 8205, one out of eight decoder with active low outputs. These active low outputs will enable one of the input ports, the one that interrupted the processor, to put its data onto the buffered data bus to be transmitted to the CPU when the data bus input signal is true. The processor can also output data from the 8080 data bus to the buffered data bus when the data bus input signal is false. Using the same address selection technique from the 8205 decoder and the output status bit, we can select with this system one of eight output ports to transmit the data to the system's output device structure.

Note: This basic I/O configuration for the 8080 can be expanded to 256 input devices and 256 output devices all using 8212 and, of course, the appropriate decoding.

Note that the 8080 is a 3.3-volt minimum high input requirement and that the 8212 has a 3.65-volt minimum high output providing the designer with a 350 milli volt noise margin worst case for 8080 systems when using the 8212.

SCHOTTKY BIPOLAR 8212



Note 1. This basic I/O configuration for the 8080 can be expanded to 256 input devices and 256 output devices all using 8212 and the appropriate decoding.

SCHOTTKY BIPOLAR 8212

Absolute Maximum Ratings*

Temperature Under Bias Plastic . . . -65°C to $+75^{\circ}\text{C}$
 Storage Temperature -65°C to $+160^{\circ}\text{C}$
 All Output or Supply Voltages -0.5 to $+7$ Volts
 All Input Voltages -1.0 to 5.5 Volts
 Output Currents 125 mA

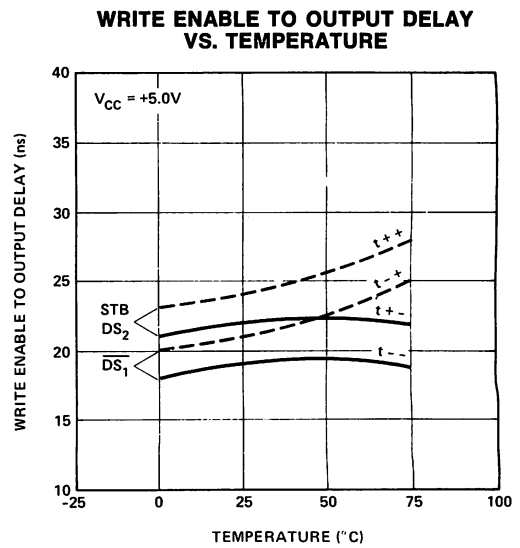
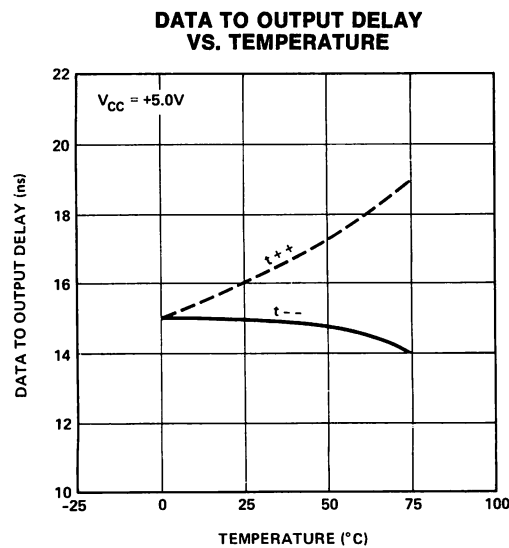
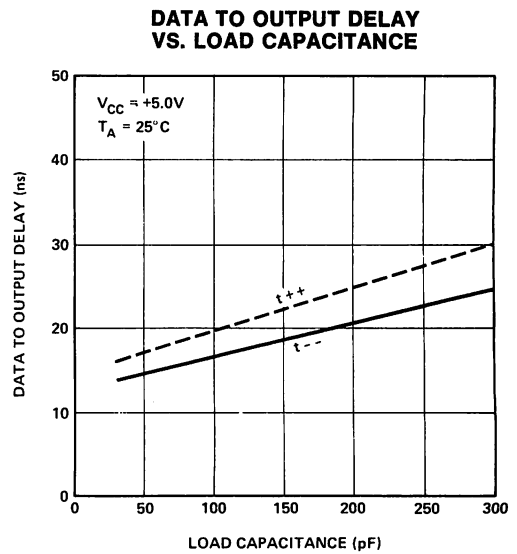
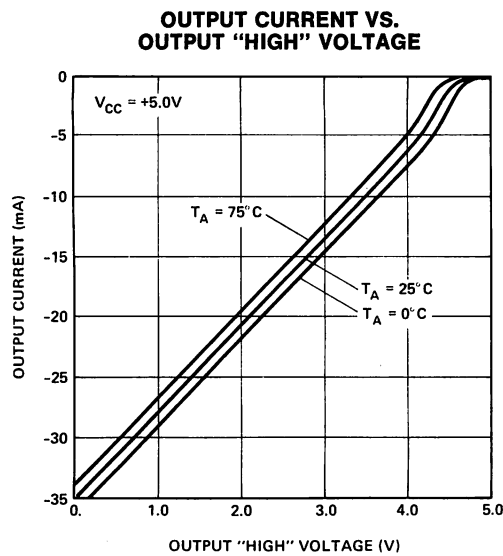
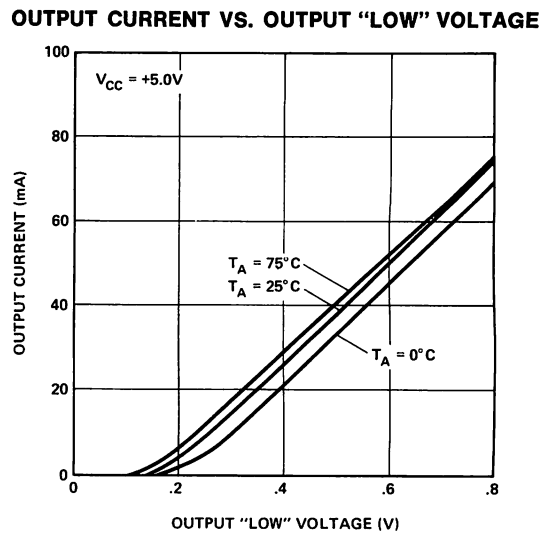
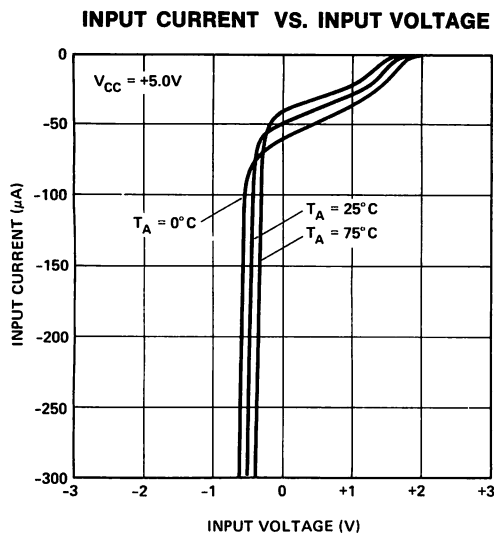
*COMMENT: Stresses above those listed under "Absolute Maximum Ratings" may cause permanent damage to the device. This is a stress rating only and functional operation of the device at these or at any other condition above those indicated in the operational sections of this specification is not implied.

D.C. Characteristics

$T_A = 0^{\circ}\text{C}$ to $+75^{\circ}\text{C}$ $V_{CC} = +5\text{V} \pm 5\%$

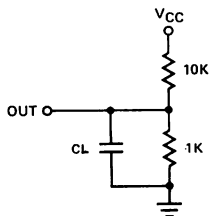
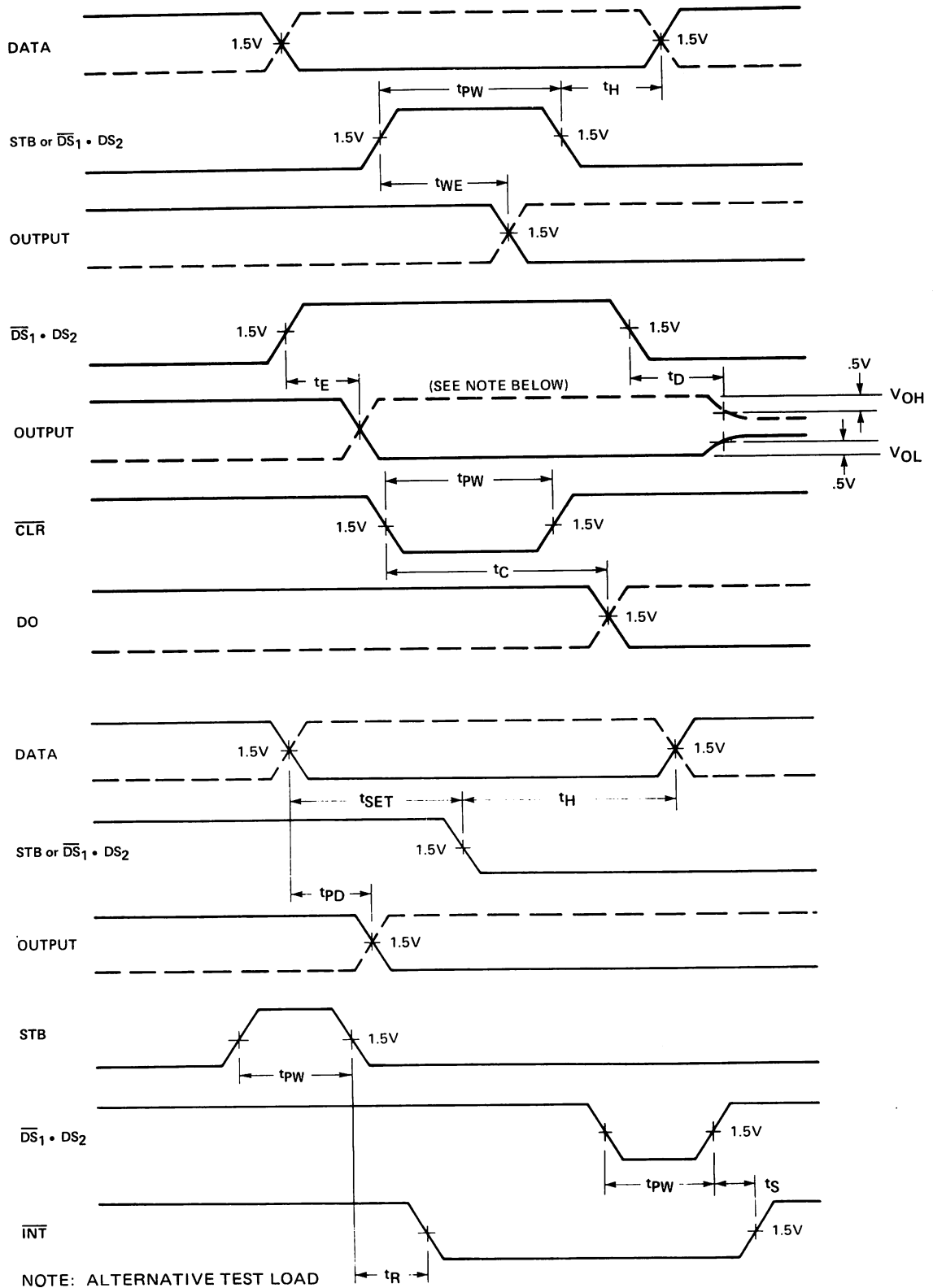
Symbol	Parameter	Limits			Unit	Test Conditions
		Min.	Typ.	Max.		
I_F	Input Load Current ACK, DS ₂ , CR, DI ₁ -DI ₈ Inputs			-.25	mA	$V_F = .45\text{V}$
I_F	Input Load Current MD Input			-.75	mA	$V_F = .45\text{V}$
I_F	Input Load Current DS ₁ Input			-1.0	mA	$V_F = .45\text{V}$
I_R	Input Leakage Current ACK, DS, CR, DI ₁ -DI ₈ Inputs			10	μA	$V_R = 5.25\text{V}$
I_R	Input Leakage Current MO Input			30	μA	$V_R = 5.25\text{V}$
I_R	Input Leakage Current DS ₁ Input			40	μA	$V_R = 5.25\text{V}$
V_C	Input Forward Voltage Clamp			-1	V	$I_C = -5$ mA
V_{IL}	Input "Low" Voltage			.85	V	
V_{IH}	Input "High" Voltage	2.0			V	
V_{OL}	Output "Low" Voltage			.45	V	$I_{OL} = 15$ mA
V_{OH}	Output "High" Voltage	3.65	4.0		V	$I_{OH} = -1$ mA
I_{SC}	Short Circuit Output Current	-15		-75	mA	$V_O = 0$ V
$ I_{OL} $	Output Leakage Current High Impedance State			20	μA	$V_O = .45\text{V}/5.25\text{V}$
I_{CC}	Power Supply Current		90	130	mA	

Typical Characteristics



SCHOTTKY BIPOLAR 8212

Timing Diagram



SCHOTTKY BIPOLAR 8212

A.C. Characteristics

$T_A = 0^\circ\text{C}$ to $+75^\circ\text{C}$ $V_{CC} = +5\text{V} \pm 5\%$

Symbol	Parameter	Limits			Unit	Test Conditions
		Min.	Typ.	Max.		
t_{pw}	Pulse Width	30			ns	
t_{pd}	Data To Output Delay			30	ns	
t_{we}	Write Enable To Output Delay			40	ns	
t_{set}	Data Setup Time	15			ns	
t_h	Data Hold Time	20			ns	
t_r	Reset To Output Delay			40	ns	
t_s	Set To Output Delay			30	ns	
t_e	Output Enable/Disable Time			45	ns	
t_c	Clear To Output Delay			55	ns	

CAPACITANCE* $F = 1\text{ MHz}$ $V_{BIAS} = 2.5\text{ V}$ $V_{CC} = +5\text{ V}$ $T_A = 25^\circ\text{C}$

Symbol	Test	LIMITS	
		Typ.	Max.
C_{IN}	DS_1 , MD Input Capacitance	9 pF	12 pF
C_{IN}	DS_2 , CK, ACK, DI_1 - DI_8 Input Capacitance	5 pF	9 pF
C_{OUT}	DO_1 - DO_8 Output Capacitance	8 pF	12 pF

*This parameter is sampled and not 100% tested.

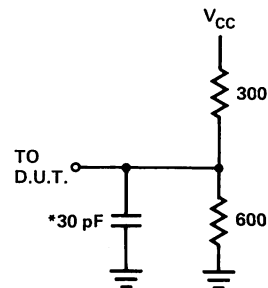
Switching Characteristics

CONDITIONS OF TEST

Input Pulse Amplitude = 2.5 V
 Input Rise and Fall Times 5 ns
 Between 1V and 2V Measurements made at 1.5V
 with 15 mA & 30 pF Test Load

TEST LOAD

15mA & 30pF



* INCLUDING JIG & PROBE CAPACITANCE



Silicon Gate MOS 8255

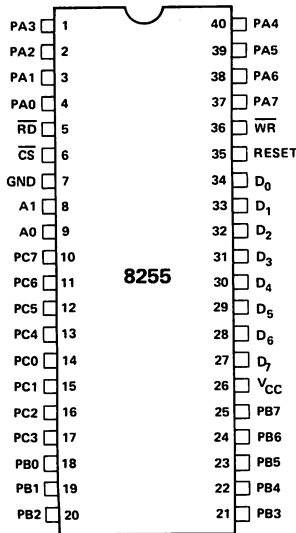
PROGRAMMABLE PERIPHERAL INTERFACE

- 24 Programmable I/O Pins
- Completely TTL Compatible
- Fully Compatible with MCS™ -8 and MCS™ -80 Microprocessor Families
- Direct Bit Set/Reset Capability Easing Control Application Interface
- 40 Pin Dual In-Line Package
- Reduces System Package Count

The 8255 is a general purpose programmable I/O device designed for use with both the 8008 and 8080 microprocessors. It has 24 I/O pins which may be individually programmed in two groups of twelve and used in three major modes of operation. In the first mode (Mode 0), each group of twelve I/O pins may be programmed in sets of 4 to be input or output. In Mode 1, the second mode, each group may be programmed to have 8 lines of input or output. Of the remaining four pins three are used for handshaking and interrupt control signals. The third mode of operation (Mode 2) is a Bidirectional Bus mode which uses 8 lines for a bidirectional bus, and five lines, borrowing one from the other group, for handshaking.

Other features of the 8255 include bit set and reset capability and the ability to source 1mA of current at 1.5 volts. This allows darlington transistors to be directly driven for applications such as printers and high voltage displays.

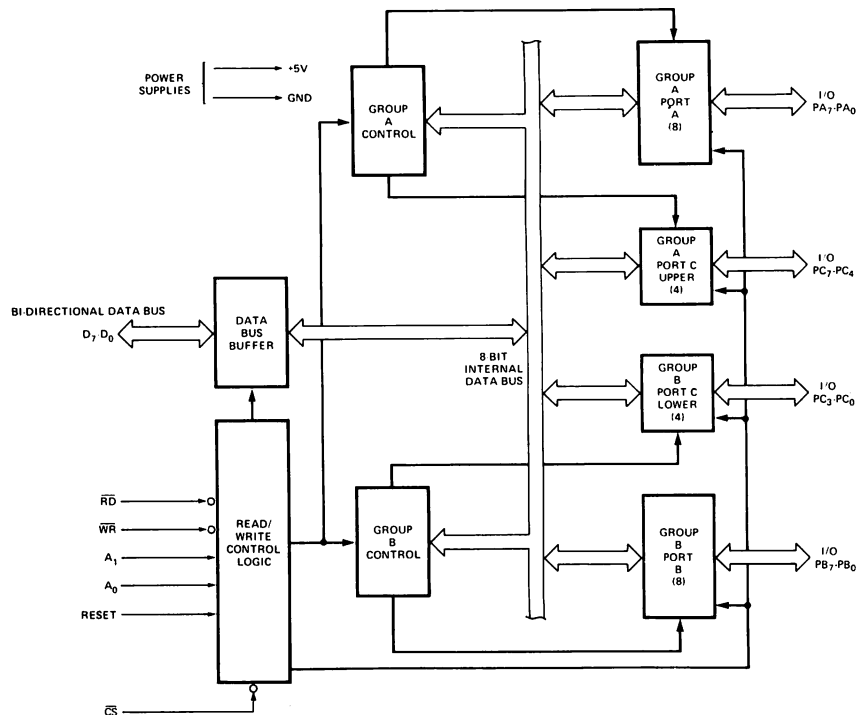
PIN CONFIGURATION



PIN NAMES

D ₇ -D ₀	DATA BUS (BI-DIRECTIONAL)
RESET	RESET INPUT
CS	CHIP SELECT
RD	READ INPUT
WR	WRITE INPUT
A ₀ , A ₁	PORT ADDRESS
PA ₇ -PA ₀	PORT A (BIT)
PB ₇ -PB ₀	PORT B (BIT)
PC ₇ -PC ₀	PORT C (BIT)
V _{CC}	+5 VOLTS
GND	0 VOLTS

8255 BLOCK DIAGRAM



SILICON GATE MOS 8255

(RESET)

Reset: A "high" on this input clears all internal registers including the Control Register and all ports (A, B, C) are set to the input mode.

Group A and Group B Controls

The functional configuration of each port is programmed by the systems software. In essence, the 8080 CPU "outputs" a control word to the 8255. The control word contains information such as "mode", "bit set", "bit reset" etc. that initializes the functional configuration of the 8255.

Each of the Control blocks (Group A and Group B) accepts "commands" from the Read/Write Control Logic, receives "control words" from the internal data bus and issues the proper commands to its associated ports.

Control Group A – Port A and Port C upper (C7-C4)

Control Group B – Port B and Port C lower (C3-C0)

The Control Word Register can **Only** be written into. No Read operation of the Control Word Register is allowed.

Ports A, B, and C

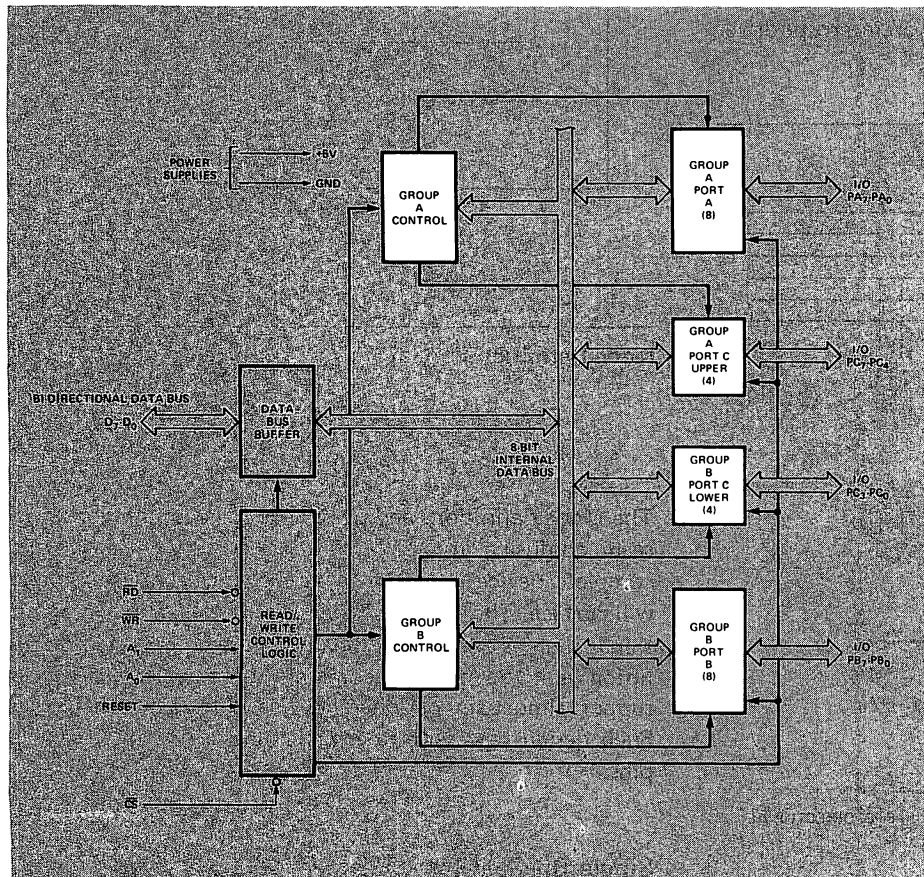
The 8255 contains three 8-bit ports (A, B, and C). All can be configured in a wide variety of functional characteristics by the system software but each has its own special features or "personality" to further enhance the power and flexibility of the 8255.

Port A: One 8-bit data output latch/buffer and one 8-bit data input latch.

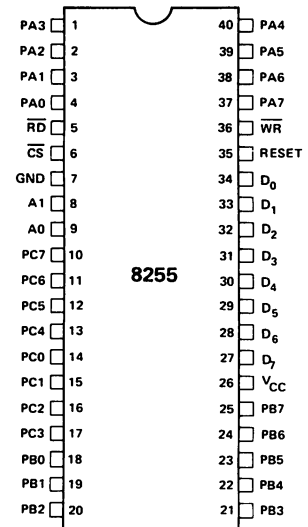
Port B: One 8-bit data input/output latch/buffer and one 8-bit data input buffer.

Port C: One 8-bit data output latch/buffer and one 8-bit data input buffer (no latch for input). This port can be divided into two 4-bit ports under the mode control. Each 4-bit port contains a 4-bit latch and it can be used for the control signal outputs and status signal inputs in conjunction with Ports A and B.

8255 BLOCK DIAGRAM



PIN CONFIGURATION



PIN NAMES

D ₇ -D ₀	DATA BUS (BI-DIRECTIONAL)
RESET	RESET INPUT
CS	CHIP SELECT
RD	READ INPUT
WR	WRITE INPUT
A0, A1	PORT ADDRESS
PA7-PA0	PORT A (BIT)
PB7-PB0	PORT B (BIT)
PC7-PC0	PORT C (BIT)
V _{CC}	+5 VOLTS
GND	0 VOLTS

8255 DETAILED OPERATIONAL DESCRIPTION

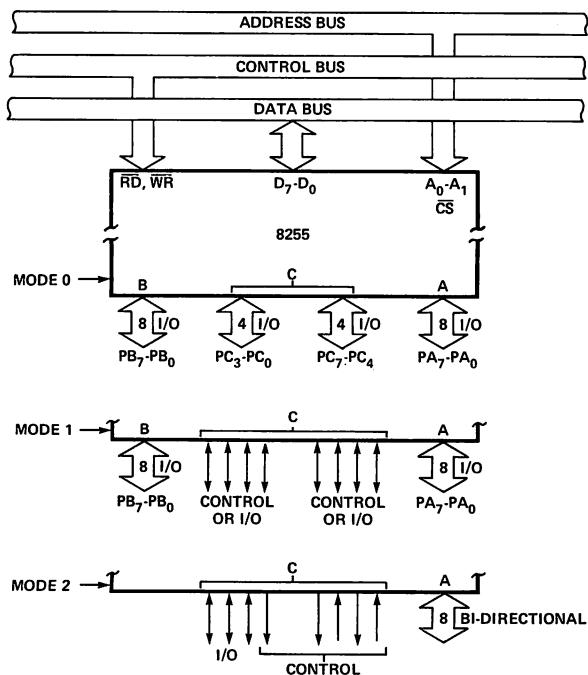
Mode Selection

There are three basic modes of operation that can be selected by the system software:

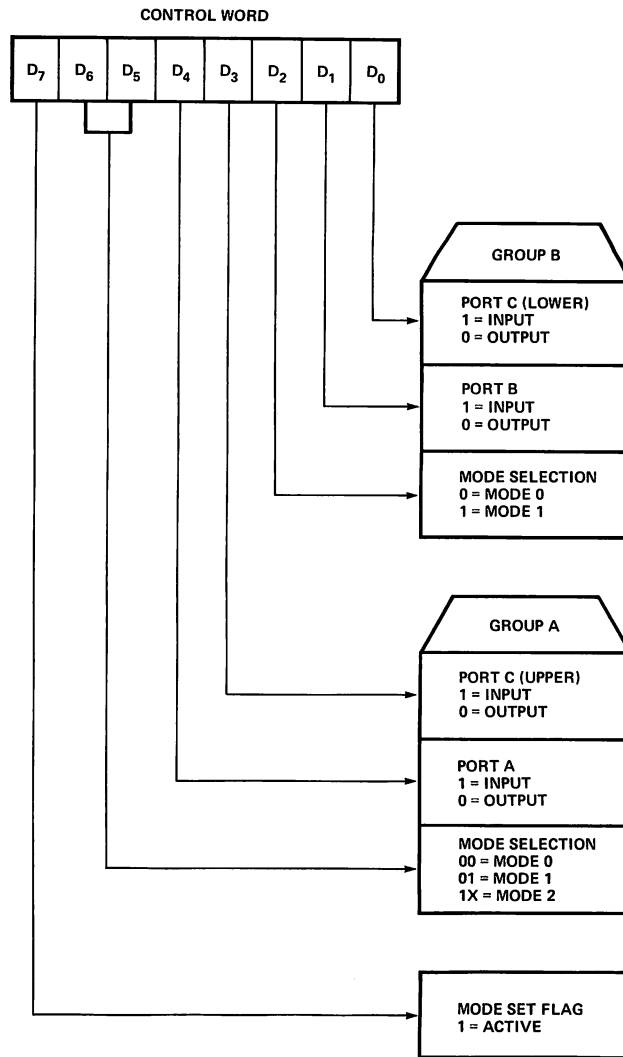
- Mode 0 – Basic Input/Output
- Mode 1 – Strobed Input/Output
- Mode 2 – Bi-Directional Bus

When the RESET input goes "high" all ports will be set to the Input mode (i.e., all 24 lines will be in the high impedance state). After the RESET is removed the 8255 can remain in the Input mode with no additional initialization required. During the execution of the system program any of the other modes may be selected using a single OUTPUT instruction. This allows a single 8255 to service a variety of peripheral devices with a simple software maintenance routine.

The modes for Port A and Port B can be separately defined, while Port C is divided into two portions as required by the Port A and Port B definitions. All of the output registers, including the status flip-flops, will be reset whenever the mode is changed. Modes may be combined so that their functional definition can be "tailored" to almost any I/O structure. For instance; Group B can be programmed in Mode 0 to monitor simple switch closings or display computational results, Group A could be programmed in Mode 1 to monitor a keyboard or tape reader on an interrupt-driven basis.



Basic Mode Definitions and Bus Interface

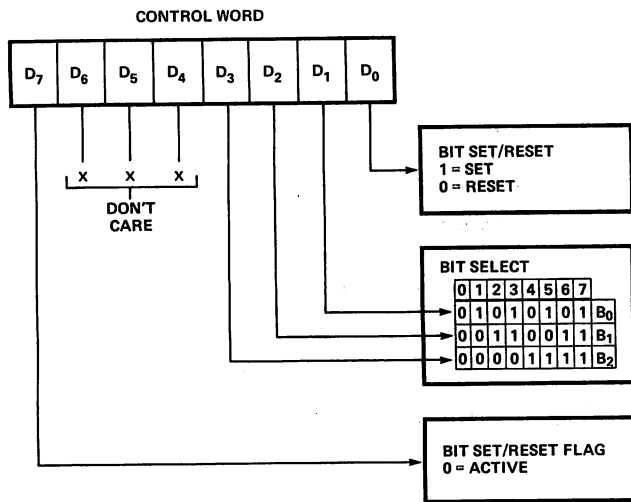


Mode Definition Format

The Mode definitions and possible Mode combinations may seem confusing at first but after a cursory review of the complete device operation a simple, logical I/O approach will surface. The design of the 8255 has taken into account things such as efficient PC board layout, control signal definition vs PC layout and complete functional flexibility to support almost any peripheral device with no external logic. Such design represents the maximum use of the available pins.

Single Bit Set/Reset Feature

Any of the eight bits of Port C can be Set or Reset using a single OUTPUT instruction. This feature reduces software requirements in Control-based applications.



Bit Set/Reset Format

When Port C is being used as status/control for Port A or B, these bits can be set or reset by using the Bit Set/Reset operation just as if they were data output ports.

Interrupt Control Functions

When the 8255 is programmed to operate in Mode 1 or Mode 2, control signals are provided that can be used as interrupt request inputs to the CPU. The interrupt request signals, generated from Port C, can be inhibited or enabled by setting or resetting the associated INTE flip-flop, using the Bit set/reset function of Port C.

This function allows the Programmer to disallow or allow a specific I/O device to interrupt the CPU without effecting any other device in the interrupt structure.

INTE flip-flop definition:

(BIT-SET) – INTE is SET – Interrupt enable

(BIT-RESET) – INTE is RESET – Interrupt disable

Note: All Mask flip-flops are automatically reset during mode selection and device Reset.

Operating Modes

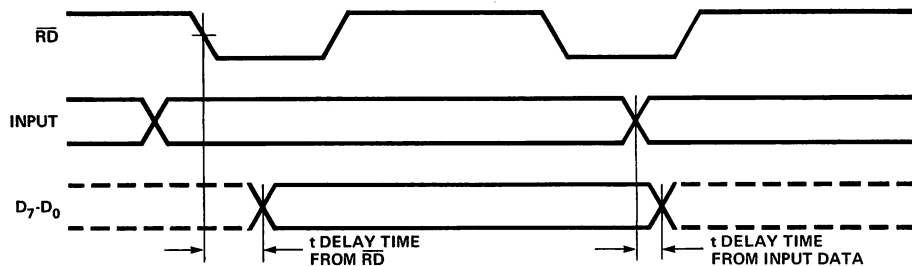
Mode 0 (Basic Input/Output)

This functional configuration provides simple Input and Output operations for each of the three ports. No "hand-shaking" is required, data is simply written to or read from a specified port.

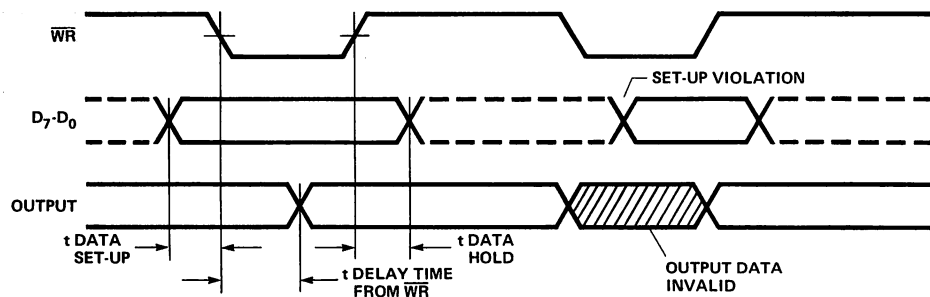
Mode 0 Basic Functional Definitions:

- Two 8-bit ports and two 4-bit ports.
- Any port can be input or output.
- Outputs are latched.
- Inputs are not latched.
- 16 different Input/Output configurations are possible in this Mode.

BASIC INPUT TIMING (D₇-D₀ FOLLOWS INPUT, NO LATCHING)



BASIC OUTPUT TIMING (OUTPUTS LATCHED)



Mode 0 Timing

SILICON GATE MOS 8255

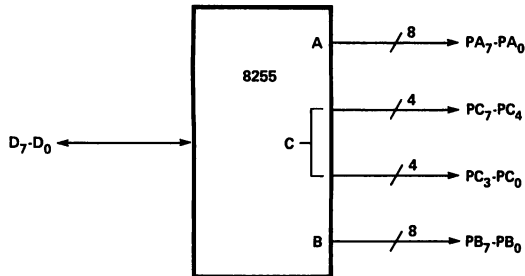
MODE 0 PORT DEFINITION CHART

A		B		GROUP A			GROUP B	
D ₄	D ₃	D ₁	D ₀	PORT A	PORT C (UPPER)	#	PORT B	PORT C (LOWER)
0	0	0	0	OUTPUT	OUTPUT	0	OUTPUT	OUTPUT
0	0	0	1	OUTPUT	OUTPUT	1	OUTPUT	INPUT
0	0	1	0	OUTPUT	OUTPUT	2	INPUT	OUTPUT
0	0	1	1	OUTPUT	OUTPUT	3	INPUT	INPUT
0	1	0	0	OUTPUT	INPUT	4	OUTPUT	OUTPUT
0	1	0	1	OUTPUT	INPUT	5	OUTPUT	INPUT
0	1	1	0	OUTPUT	INPUT	6	INPUT	OUTPUT
0	1	1	1	OUTPUT	INPUT	7	INPUT	INPUT
1	0	0	0	INPUT	OUTPUT	8	OUTPUT	OUTPUT
1	0	0	1	INPUT	OUTPUT	9	OUTPUT	INPUT
1	0	1	0	INPUT	OUTPUT	10	INPUT	OUTPUT
1	0	1	1	INPUT	OUTPUT	11	INPUT	INPUT
1	1	0	0	INPUT	INPUT	12	OUTPUT	OUTPUT
1	1	0	1	INPUT	INPUT	13	OUTPUT	INPUT
1	1	1	0	INPUT	INPUT	14	INPUT	OUTPUT
1	1	1	1	INPUT	INPUT	15	INPUT	INPUT

MODE 0 CONFIGURATIONS

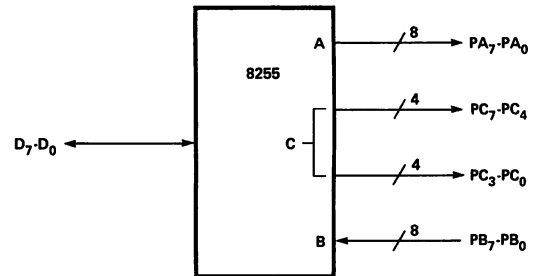
CONTROL WORD #0

D ₇	D ₆	D ₅	D ₄	D ₃	D ₂	D ₁	D ₀
1	0	0	0	0	0	0	0



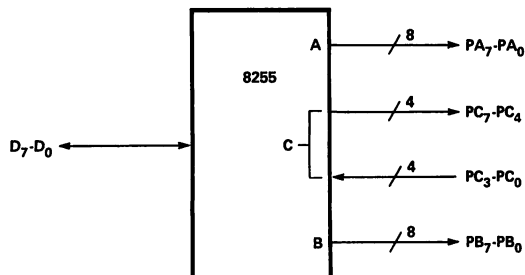
CONTROL WORD #2

D ₇	D ₆	D ₅	D ₄	D ₃	D ₂	D ₁	D ₀
1	0	0	0	0	0	1	0



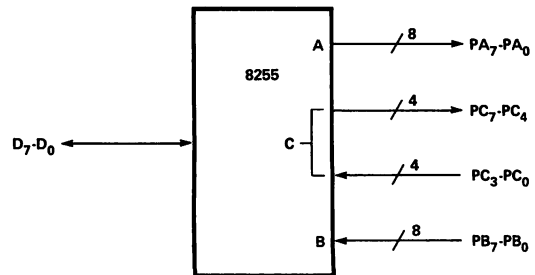
CONTROL WORD #1

D ₇	D ₆	D ₅	D ₄	D ₃	D ₂	D ₁	D ₀
1	0	0	0	0	0	0	1



CONTROL WORD #3

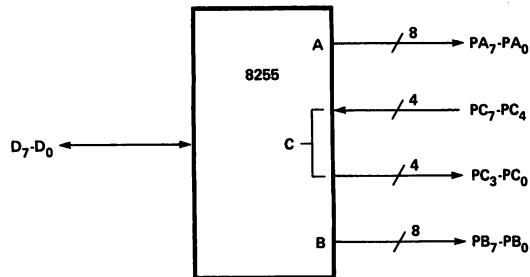
D ₇	D ₆	D ₅	D ₄	D ₃	D ₂	D ₁	D ₀
1	0	0	0	0	0	1	1



SILICON GATE MOS 8255

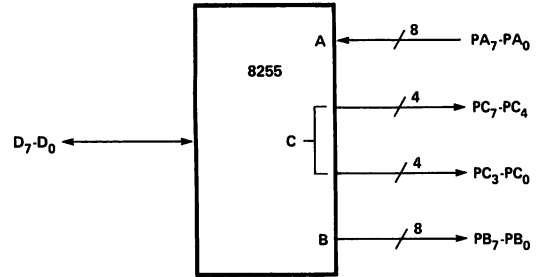
CONTROL WORD #4

D ₇	D ₆	D ₅	D ₄	D ₃	D ₂	D ₁	D ₀
1	0	0	0	1	0	0	0



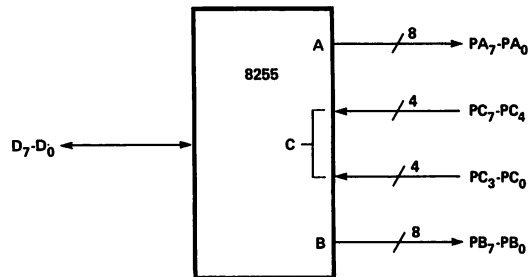
CONTROL WORD #8

D ₇	D ₆	D ₅	D ₄	D ₃	D ₂	D ₁	D ₀
1	0	0	1	0	0	0	0



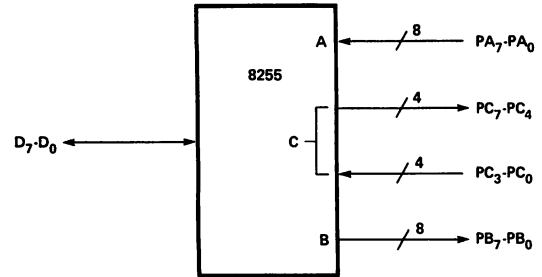
CONTROL WORD #5

D ₇	D ₆	D ₅	D ₄	D ₃	D ₂	D ₁	D ₀
1	0	0	0	1	0	0	1



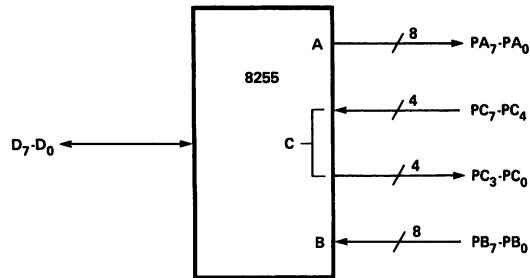
CONTROL WORD #9

D ₇	D ₆	D ₅	D ₄	D ₃	D ₂	D ₁	D ₀
1	0	0	1	0	0	0	1



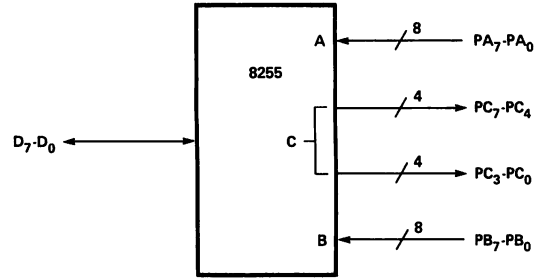
CONTROL WORD #6

D ₇	D ₆	D ₅	D ₄	D ₃	D ₂	D ₁	D ₀
1	0	0	0	1	0	1	0



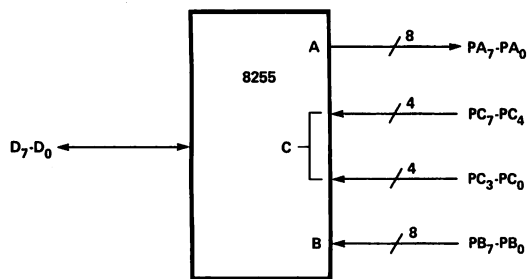
CONTROL WORD #10

D ₇	D ₆	D ₅	D ₄	D ₃	D ₂	D ₁	D ₀
1	0	0	1	0	0	1	0



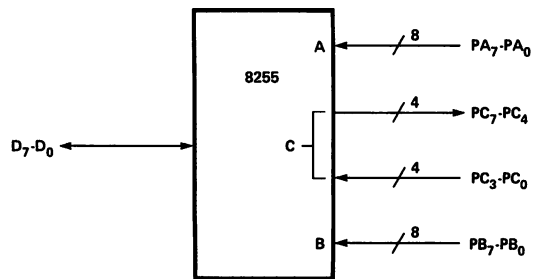
CONTROL WORD #7

D ₇	D ₆	D ₅	D ₄	D ₃	D ₂	D ₁	D ₀
1	0	0	0	1	0	1	1



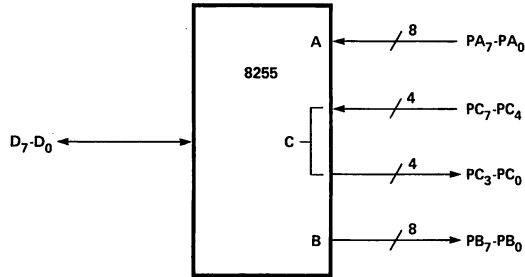
CONTROL WORD #11

D ₇	D ₆	D ₅	D ₄	D ₃	D ₂	D ₁	D ₀
1	0	0	1	0	0	1	1



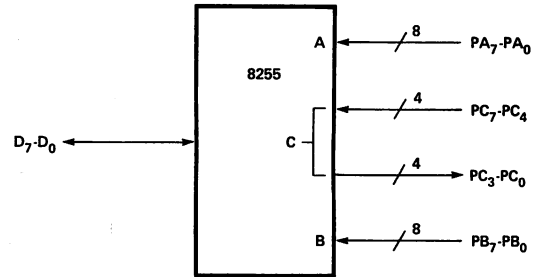
CONTROL WORD #12

D ₇	D ₆	D ₅	D ₄	D ₃	D ₂	D ₁	D ₀
1	0	0	1	1	0	0	0



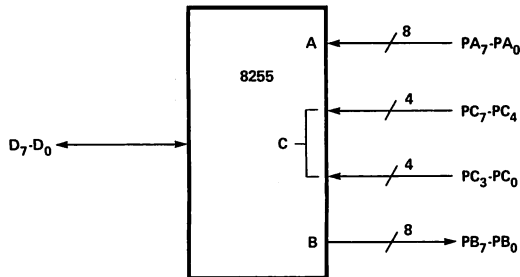
CONTROL WORD #14

D ₇	D ₆	D ₅	D ₄	D ₃	D ₂	D ₁	D ₀
1	0	0	1	1	0	1	0



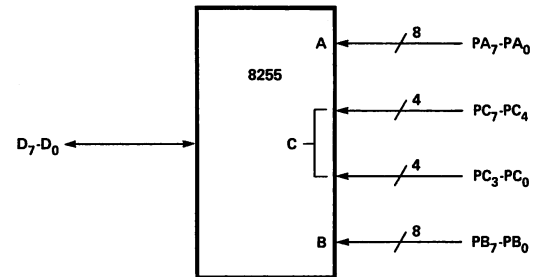
CONTROL WORD #13

D ₇	D ₆	D ₅	D ₄	D ₃	D ₂	D ₁	D ₀
1	0	0	1	1	0	0	1



CONTROL WORD #15

D ₇	D ₆	D ₅	D ₄	D ₃	D ₂	D ₁	D ₀
1	0	0	1	1	0	1	1



Operating Modes

Mode 1 (Strobed Input/Output)

This functional configuration provides a means for transferring I/O data to or from a specified port in conjunction with strobes or "handshaking" signals. In Mode 1, Port A and Port B use the lines on Port C to generate or accept these "handshaking" signals.

Mode 1 Basic Functional Definitions:

- Two Groups (Group A and Group B)
- Each group contains one 8-bit data-port and one 4-bit control/data port.
- The 8-bit data port can be either input or output. Both inputs and outputs are latched.
- The 4-bit port is used for control and status of the 8-bit data port.

Input Control Signal Definition

\overline{STB} (Strobe Input)

A "low" on this input loads data into the input latch.

IBF (Input Buffer Full F/F)

A "high" on this output indicates that the data has been loaded into the input latch; in essence, an acknowledgement. IBF is set by the falling edge of the \overline{STB} input and is reset by the rising edge of the \overline{RD} input.

INTR (Interrupt Request)

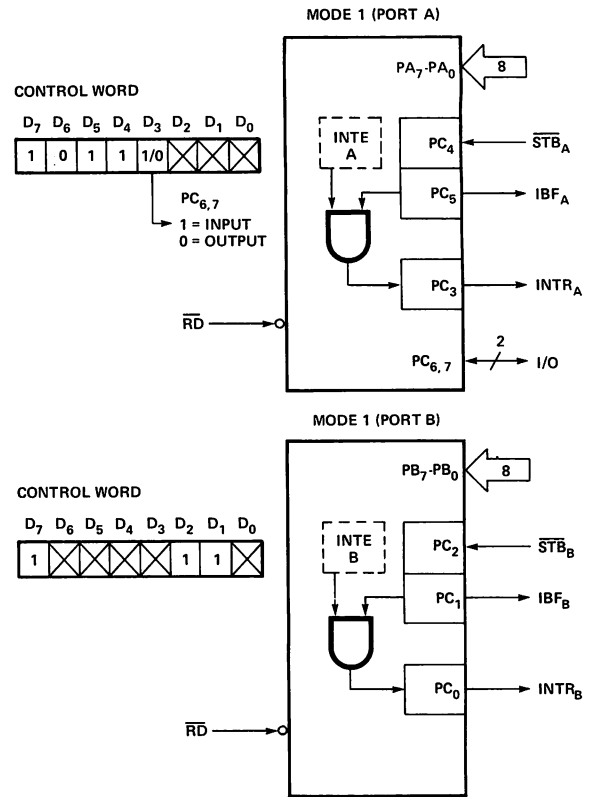
A "high" on this output can be used to interrupt the CPU when an input device is requesting service. INTR is set by the rising edge of \overline{STB} if IBF is a "one" and INTE is a "one". It is reset by the falling edge of \overline{RD} . This procedure allows an input device to request service from the CPU by simply strobing its data into the port.

INTE A

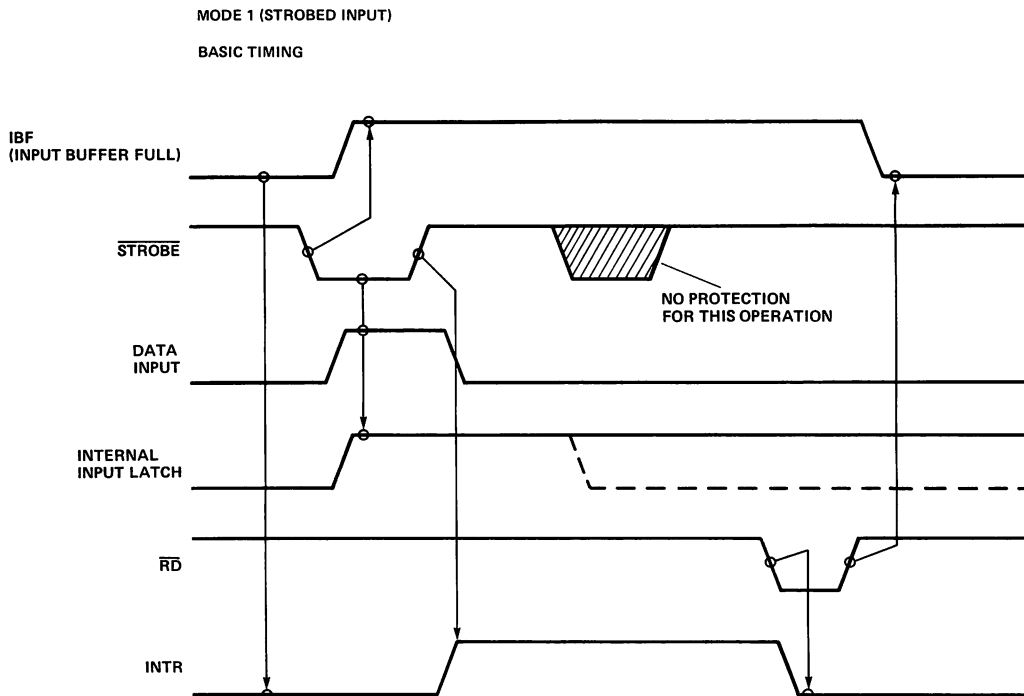
Controlled by bit set/reset of PC₄.

INTE B

Controlled by bit set/reset of PC₂.



Mode 1 Input



Output Control Signal Definition

\overline{OBF} (Output Buffer Full F/F)

The \overline{OBF} output will go "low" to indicate that the CPU has written data out to the specified port. The \overline{OBF} F/F will be set by the rising edge of the \overline{WR} input and reset by the falling edge of the \overline{ACK} input signal.

\overline{ACK} (Acknowledge Input)

A "low" on this input informs the 8255 that the data from Port A or Port B has been accepted. In essence, a response from the peripheral device indicating that it has received the data output by the CPU.

INTR (Interrupt Request)

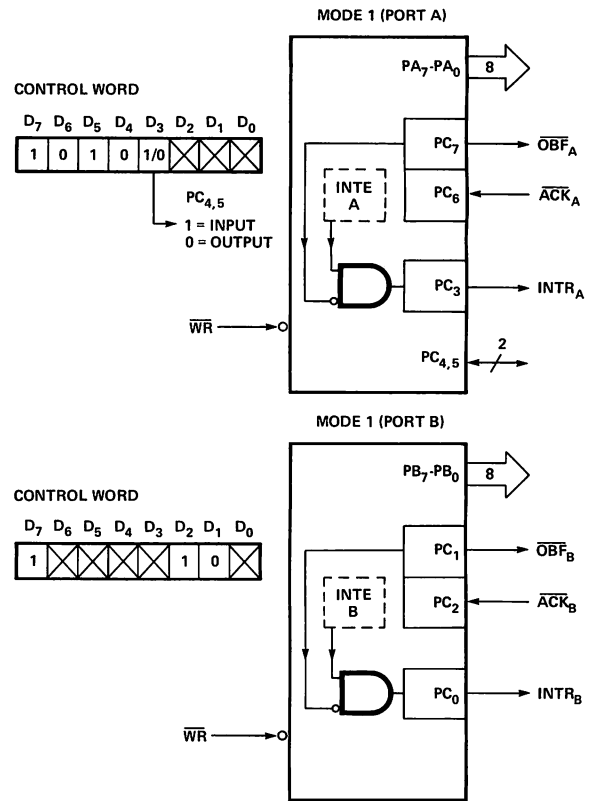
A "high" on this output can be used to interrupt the CPU when an output device has accepted data transmitted by the CPU. INTR is set by the rising edge of \overline{ACK} if \overline{OBF} is a "one" and INTE is a "one". It is reset by the falling edge of \overline{WR} .

INTE A

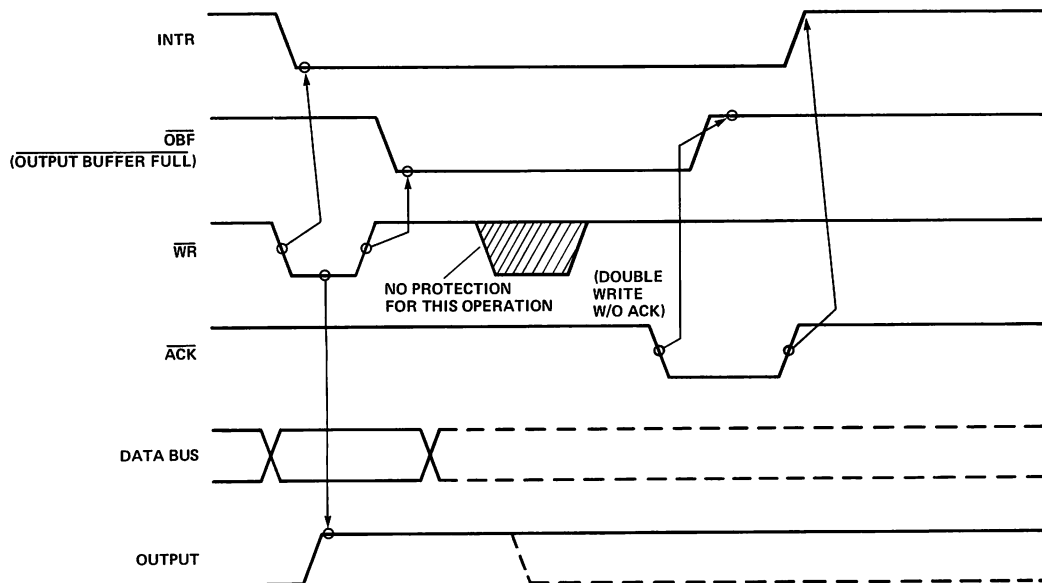
Controlled by bit set/reset of PC₆.

INTE B

Controlled by bit set/reset of PC₂.



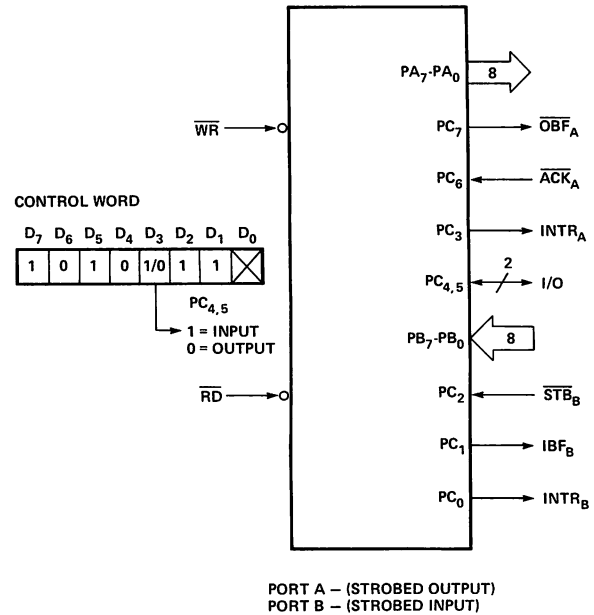
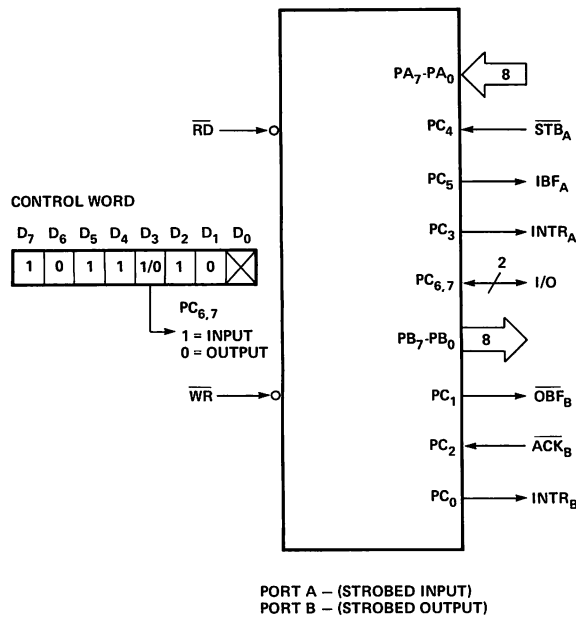
Mode 1 Output



Basic Timing Output

Combinations of Mode 1

Port A and Port B can be individually defined as input or output in Mode 1 to support a wide variety of strobed I/O applications.



Operating Modes

Mode 2 (Strobed Bi-Directional Bus I/O)

This functional configuration provides a means for communicating with a peripheral device or structure on a single 8-bit bus for both transmitting and receiving data (bi-directional bus I/O). "Handshaking" signals are provided to maintain proper bus flow discipline in a similar manner to Mode 1. Interrupt generation and enable/disable functions are also available.

Mode 2 Basic Functional Definitions:

- Used in Group A only.
- One 8-bit, bi-directional bus Port (Port A) and a 5-bit control Port (Port C).
- Both inputs and outputs are latched.
- The 5-bit control port (Port C) is used for control and status for the 8-bit, bi-directional bus port (Port A).

Bi-Directional Bus I/O Control Signal Definition

INTR (Interrupt Request)

A high on this output can be used to interrupt the CPU for both input or output operations.

Output Operations

OB \overline{F} (Output Buffer Full)

The $\overline{OB\overline{F}}$ output will go "low" to indicate that the CPU has written data out to Port A.

ACK (Acknowledge)

A "low" on this input enables the tri-state output buffer of Port A to send out the data. Otherwise, the output buffer will be in the high-impedance state.

INTE 1 (The INTE Flip-Flop associated with $\overline{OB\overline{F}}$)

Controlled by bit set/reset of PC₆.

Input Operations

\overline{STB} (Strobe Input)

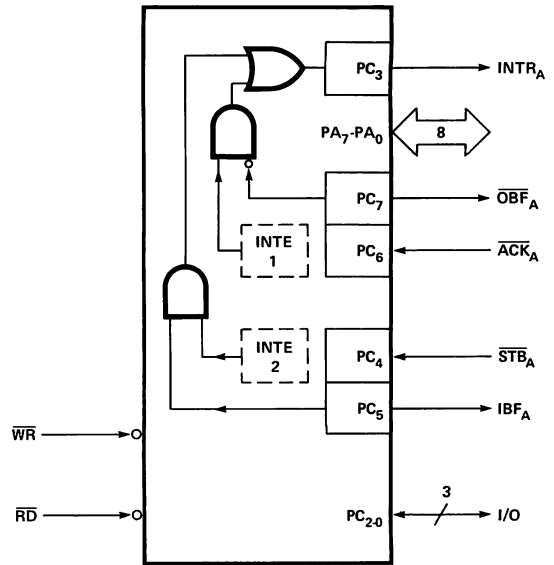
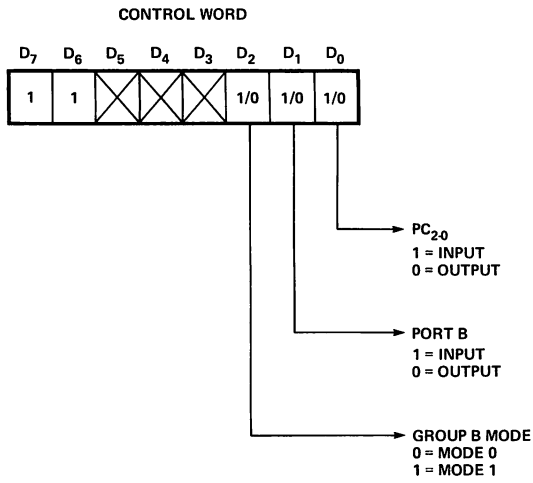
A "low" on this input loads data into the input latch.

IBF (Input Buffer Full F/F)

A "high" on this output indicates that data has been loaded into the input latch.

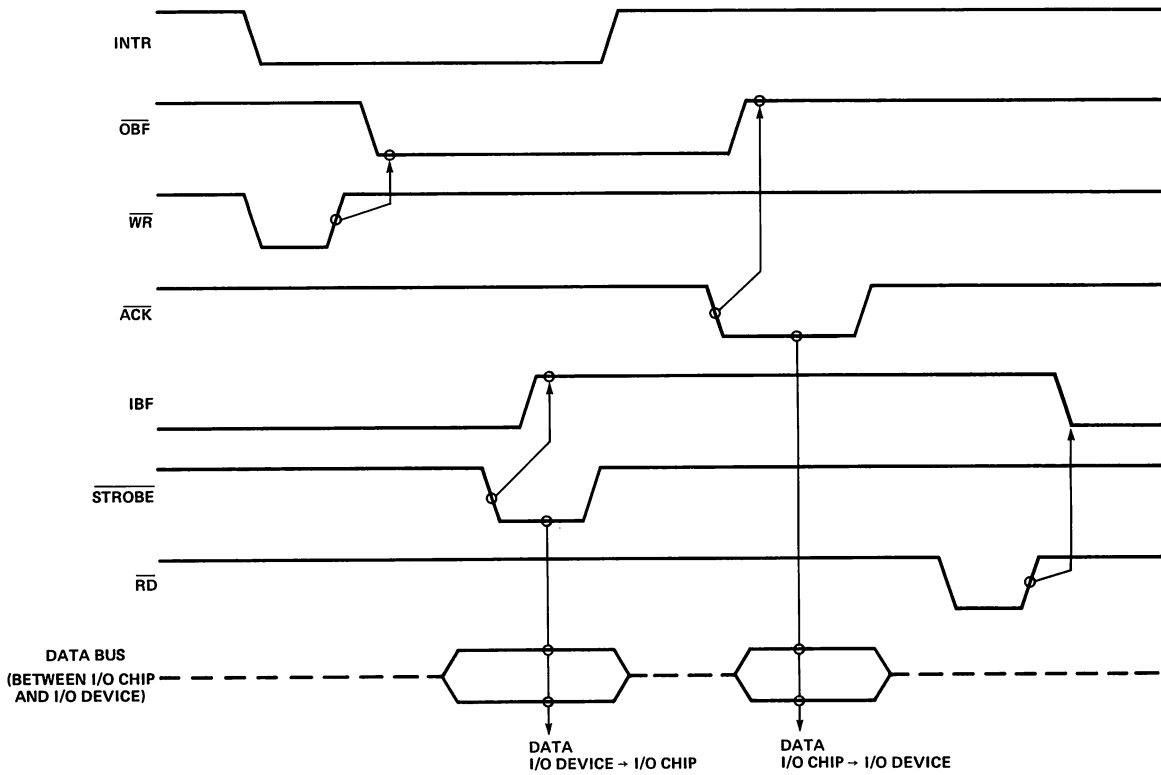
INTE 2 (The INTE Flip-Flop associated with IBF)

Controlled by bit set/reset of PC₄.



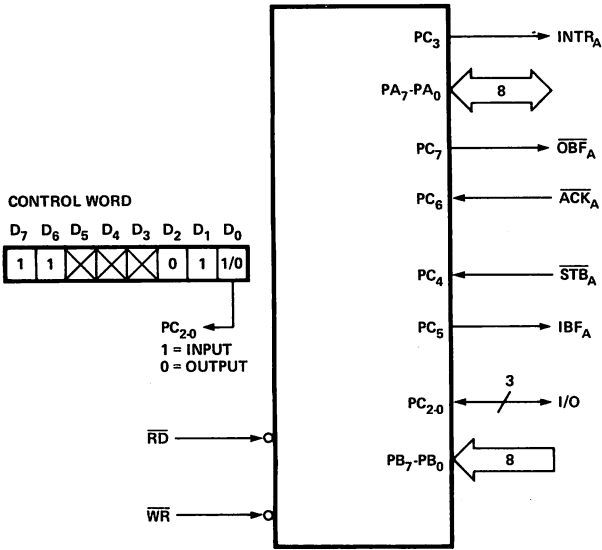
Mode 2 Control Word

Mode 2

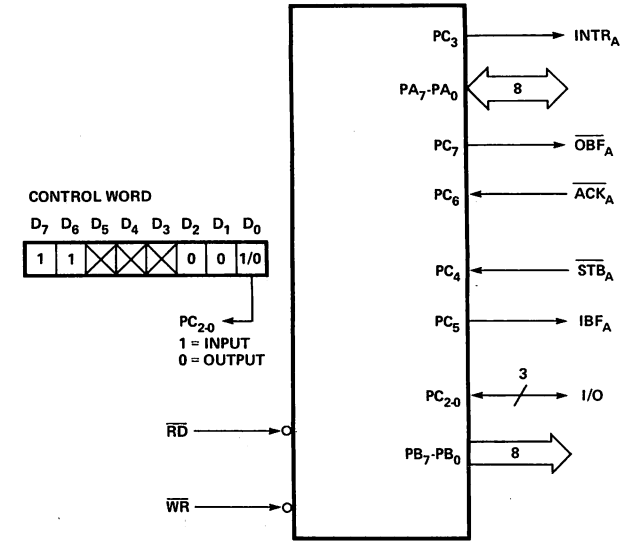


Mode 2 (Bi-directional) Timing

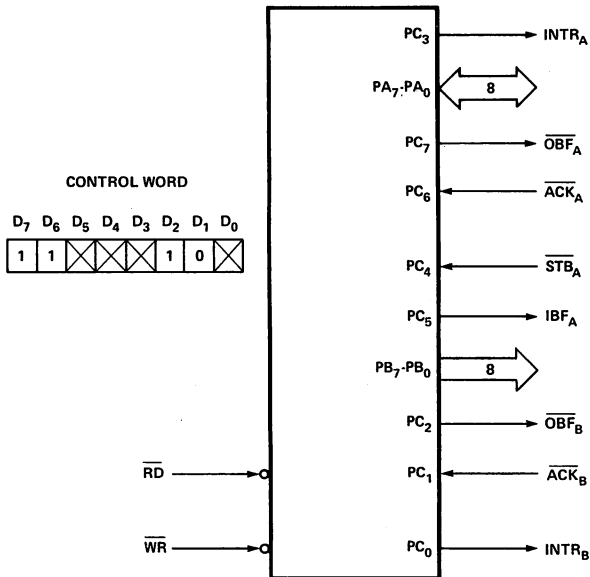
MODE 2 AND MODE 0 (INPUT)



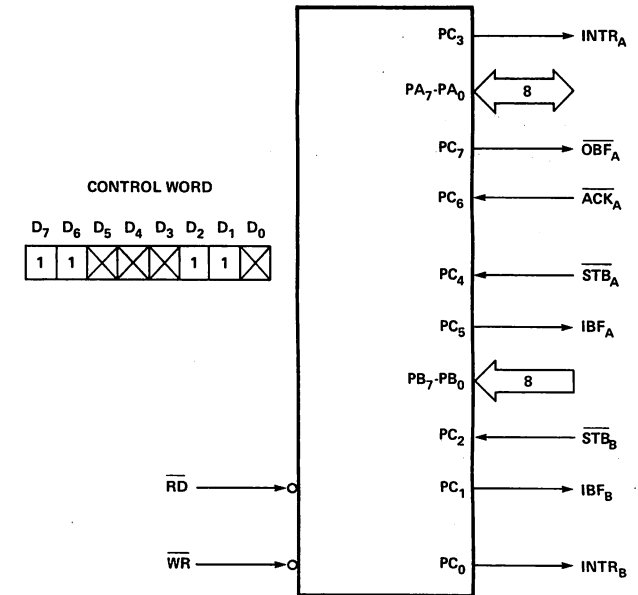
MODE 2 AND MODE 0 (OUTPUT)



MODE 2 AND MODE 1 (OUTPUT)



MODE 2 AND MODE 1 (INPUT)



MODE DEFINITION SUMMARY TABLE

	MODE 0		MODE 1		MODE 2	
	IN	OUT	IN	OUT	GROUP A ONLY	
PA ₀	IN	OUT	IN	OUT		
PA ₁	IN	OUT	IN	OUT		
PA ₂	IN	OUT	IN	OUT		
PA ₃	IN	OUT	IN	OUT		
PA ₄	IN	OUT	IN	OUT		
PA ₅	IN	OUT	IN	OUT		
PA ₆	IN	OUT	IN	OUT		
PA ₇	IN	OUT	IN	OUT		
PB ₀	IN	OUT	IN	OUT		
PB ₁	IN	OUT	IN	OUT		
PB ₂	IN	OUT	IN	OUT		
PB ₃	IN	OUT	IN	OUT		
PB ₄	IN	OUT	IN	OUT		
PB ₅	IN	OUT	IN	OUT		
PB ₆	IN	OUT	IN	OUT		
PB ₇	IN	OUT	IN	OUT		
PC ₀	IN	OUT	INTR _B	INTR _B		
PC ₁	IN	OUT	IBF _B	OBF _B		
PC ₂	IN	OUT	STB _B	ACK _B		
PC ₃	IN	OUT	INTR _A	INTR _A		
PC ₄	IN	OUT	STB _A	I/O		
PC ₅	IN	OUT	IBF _A	I/O		
PC ₆	IN	OUT	I/O	ACK _A		
PC ₇	IN	OUT	I/O	OBF _A		

Special Mode Combination Considerations

There are several combinations of modes when not all of the bits in Port C are used for control or status. The remaining bits can be used as follows:

If Programmed as Inputs –

All input lines can be accessed during a normal Port C read.

If Programmed as Outputs –

Bits in C upper (PC₇-PC₄) must be individually accessed using the bit set/reset function.

Bits in C lower (PC₃-PC₀) can be accessed using the bit set/reset function or accessed as a threesome by writing into Port C.

Source Current Capability on Port B and Port C

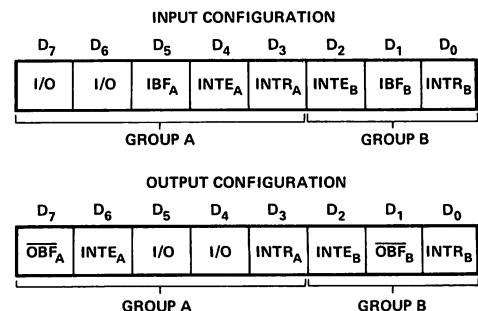
Any set of eight output buffers, selected randomly from Ports B and C can source 1mA at 1.5 volts. This feature allows the 8255 to directly drive Darlington type drivers and high-voltage displays that require such source current.

Reading Port C Status

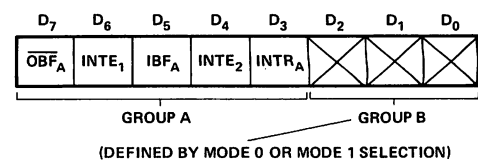
In Mode 0, Port C transfers data to or from the peripheral device. When the 8255 is programmed to function in Modes 1 or 2, Port C generates or accepts “hand-shaking” signals with the peripheral device. Reading the contents of Port C

allows the programmer to test or verify the “status” of each peripheral device and change the program flow accordingly.

There is no special instruction to read the status information from Port C. A normal read operation of Port C is executed to perform this function.



Mode 1 Status Word Format



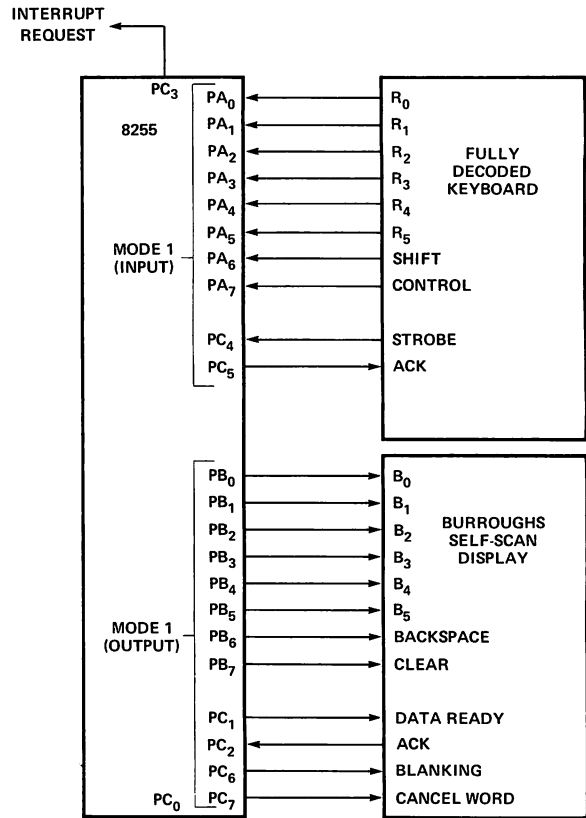
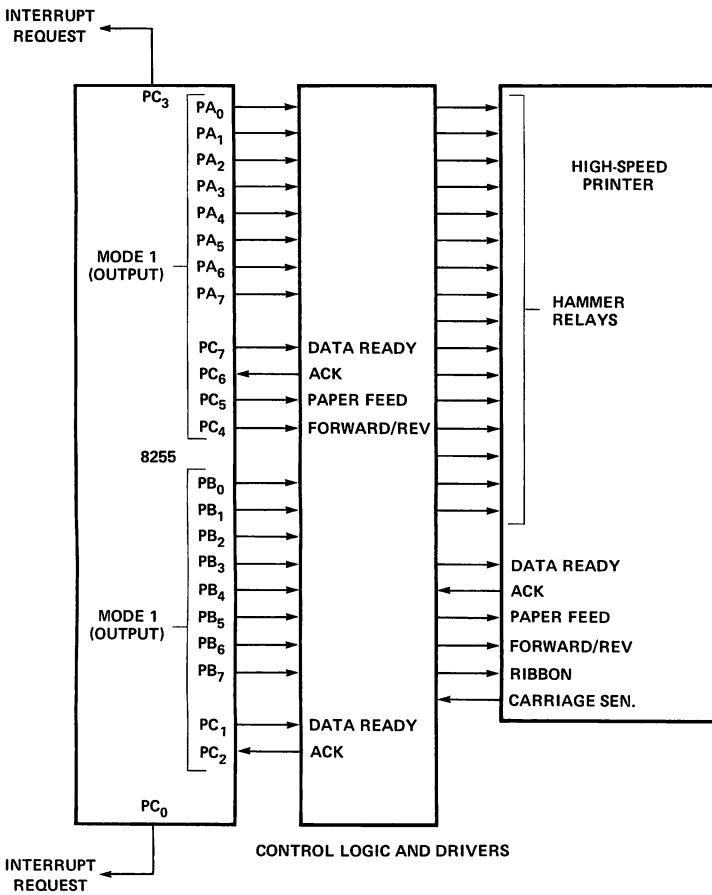
Mode 2 Status Word Format

SILICON GATE MOS 8255

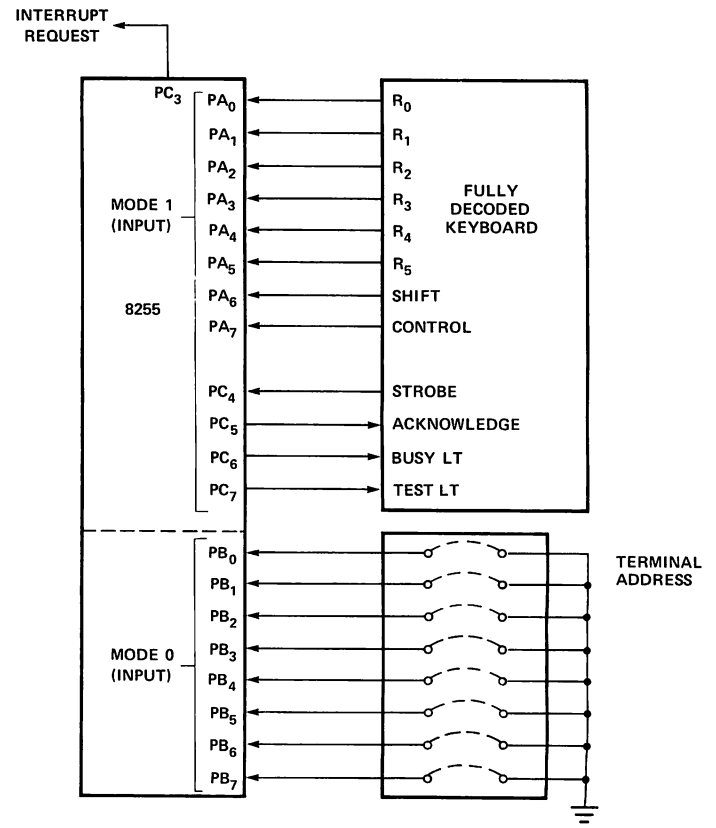
APPLICATIONS OF THE 8255

The 8255 is a very powerful tool for interfacing peripheral equipment to the 8080 microcomputer system. It represents the optimum use of available pins and is flexible enough to interface almost any I/O device without the need for additional external logic.

Each peripheral device in a Microcomputer system usually has a "service routine" associated with it. The routine manages the software interface between the device and the CPU. The functional definition of the 8255 is programmed by the I/O service routine and becomes an extension of the systems software. By examining the I/O devices interface characteristics for both data transfer and timing, and matching this information to the examples and tables in the Detailed Operational Description, a control word can easily be developed to initialize the 8255 to exactly "fit" the application. Here are a few examples of typical applications of the 8255.

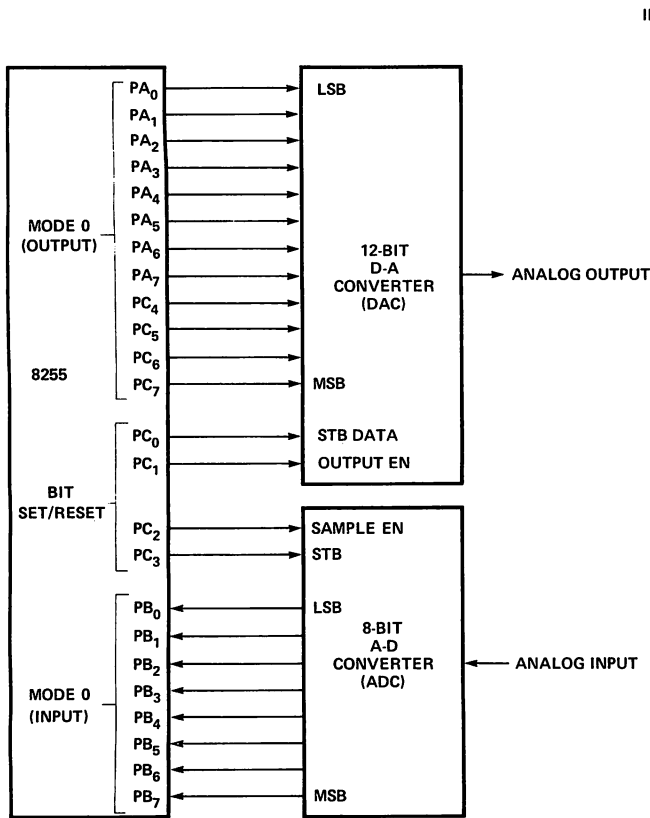


Keyboard and Display Interface

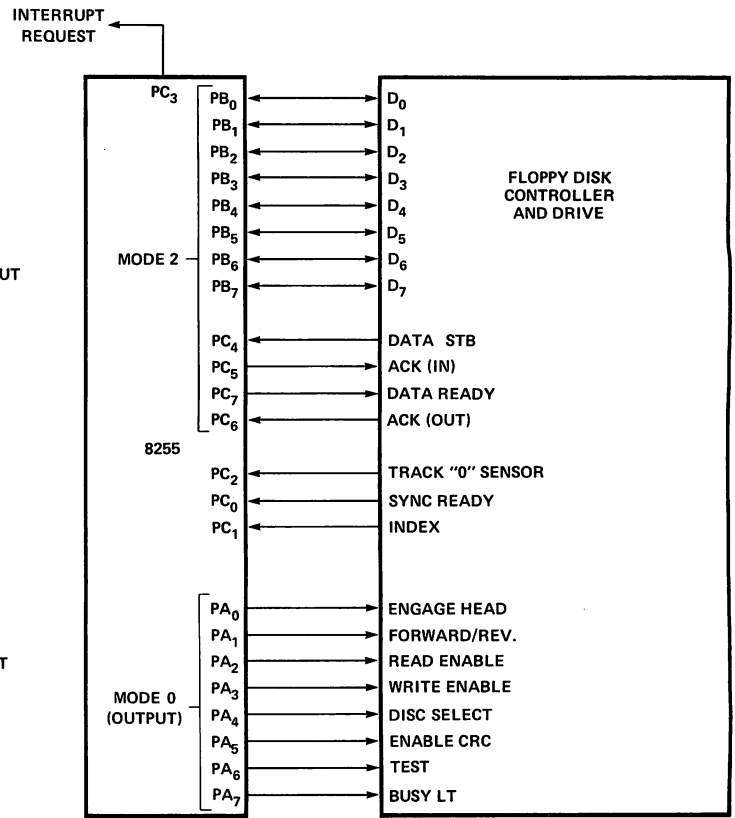


Keyboard and Terminal Address Interface

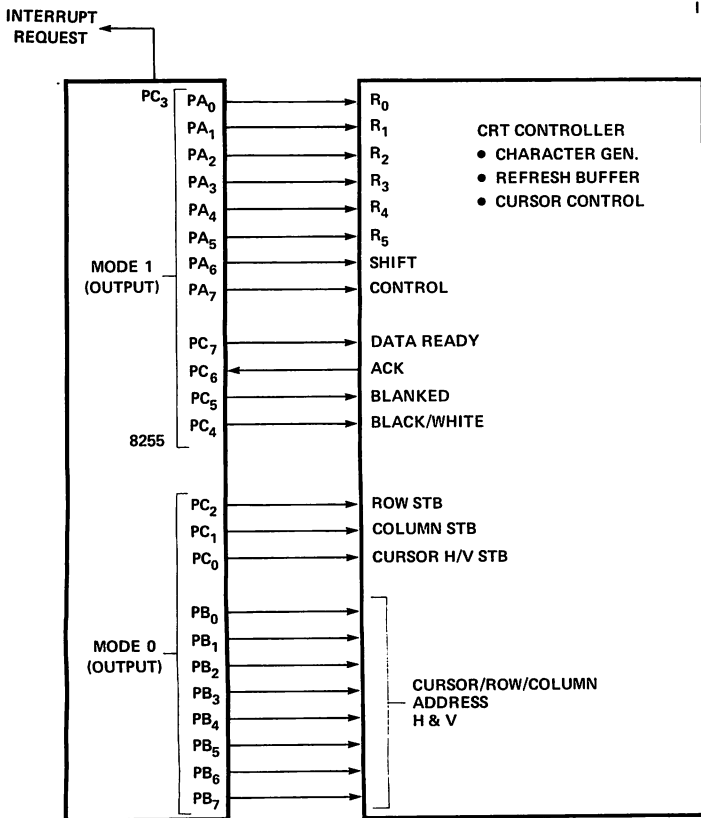
SILICON GATE MOS 8255



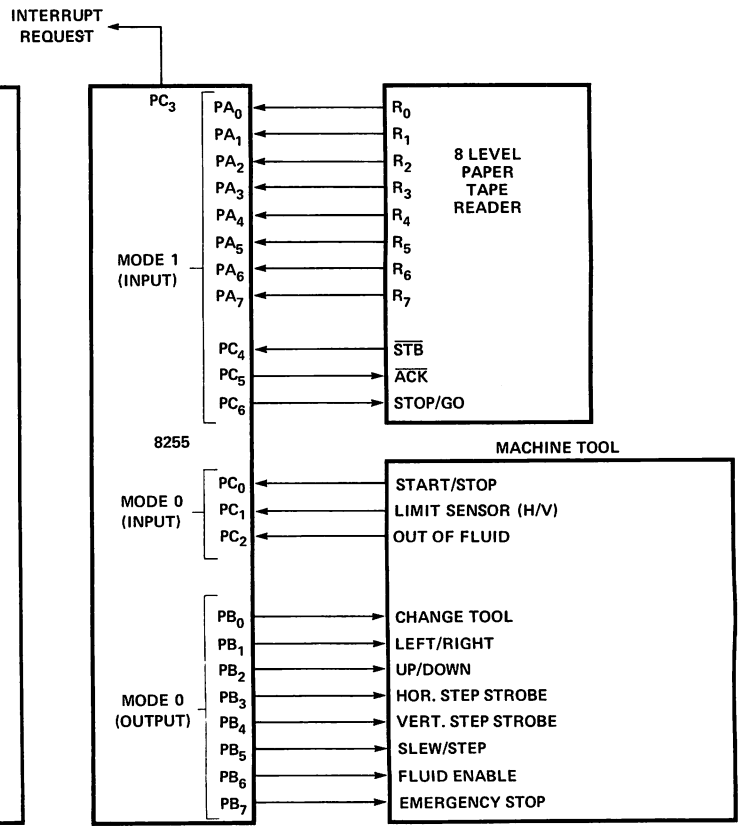
Digital to Analog, Analog to Digital



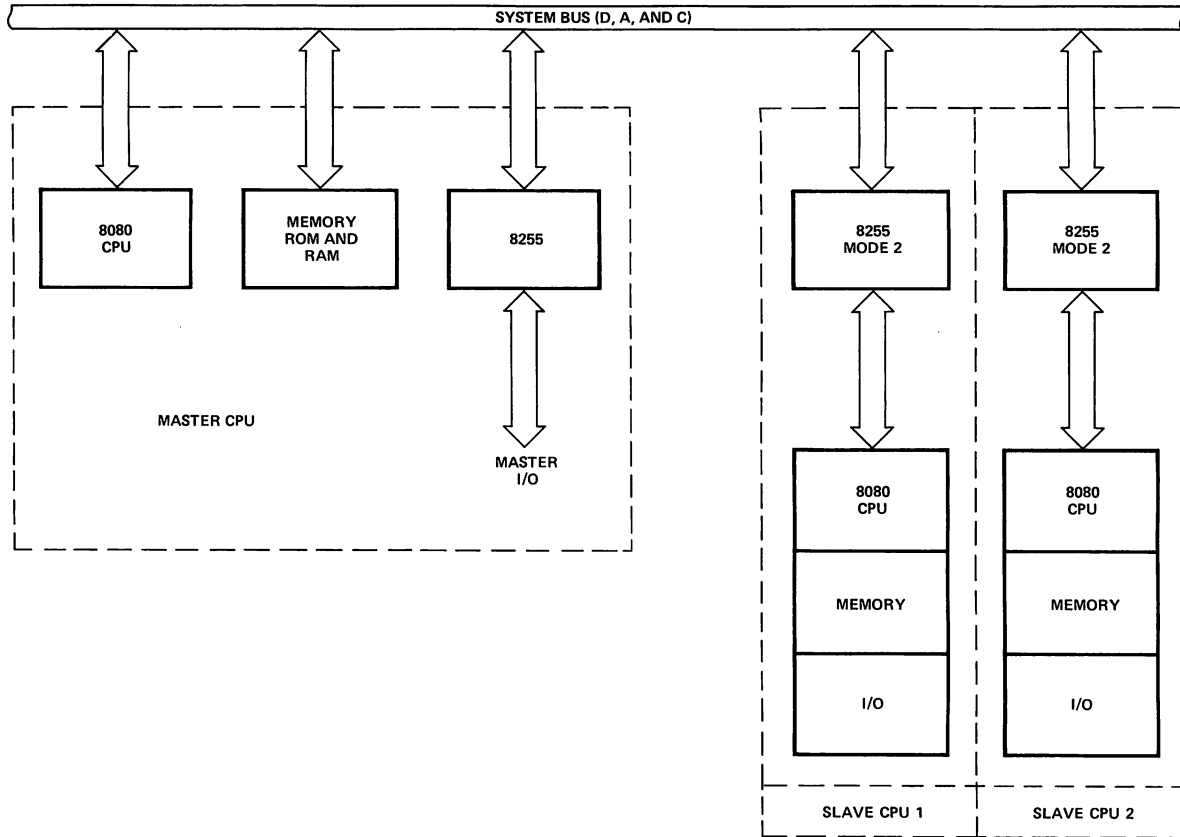
Basic Floppy Disc Interface



Basic CRT Controller Interface



Machine Tool Controller Interface



Distributed Intelligence Multi-Processor Interface

SILICON GATE MOS 8255

D.C. CHARACTERISTICS $T_A = 0^\circ\text{C}$ to 70°C ; $V_{CC} = +5\text{V} \pm 5\%$; $V_{SS} = 0\text{V}$

Symbol	Parameter	Min.	Typ.	Max.	Unit	Test Conditions
V_{IL}	Input Low Voltage			.8	V	$I_{OL} = 1.6\text{mA}$ $I_{OH} = -50\mu\text{A}$ ($-100\mu\text{A}$ for D.B. Port) $V_{OH} = 1.5\text{V}$, $R_{EXT} = 390\Omega$
V_{IH}	Input High Voltage	2.0			V	
V_{OL}	Output Low Voltage			.4	V	
V_{OH}	Output High Voltage	2.4			V	
$I_{OH}^{[1]}$	Darlington Drive Current		2.0		mA	
I_{CC}	Power Supply Current		40		mA	

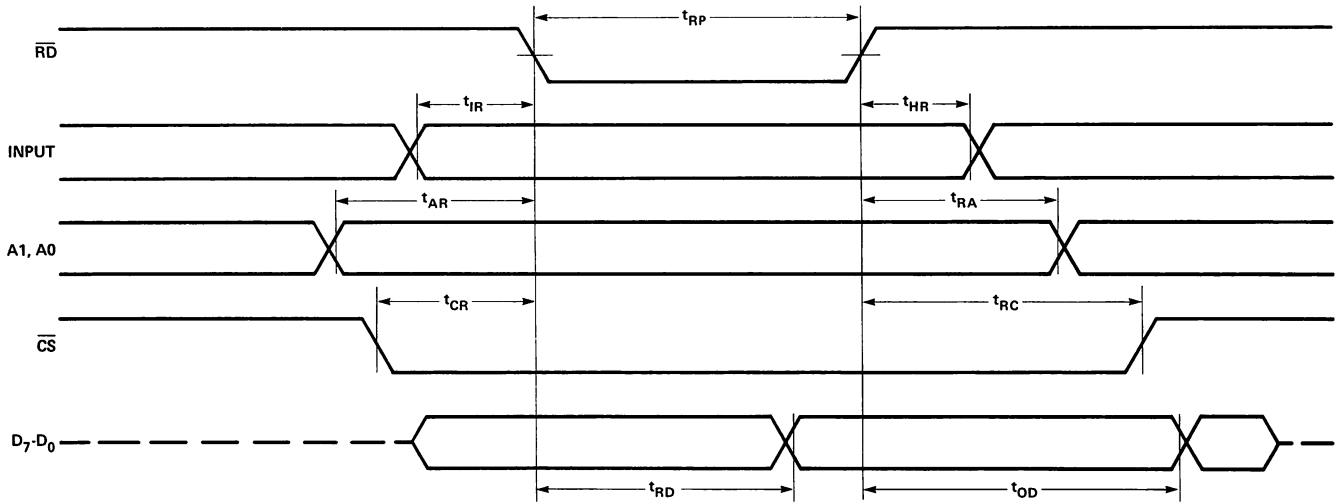
NOTE:

1. Available on 8 pins only.

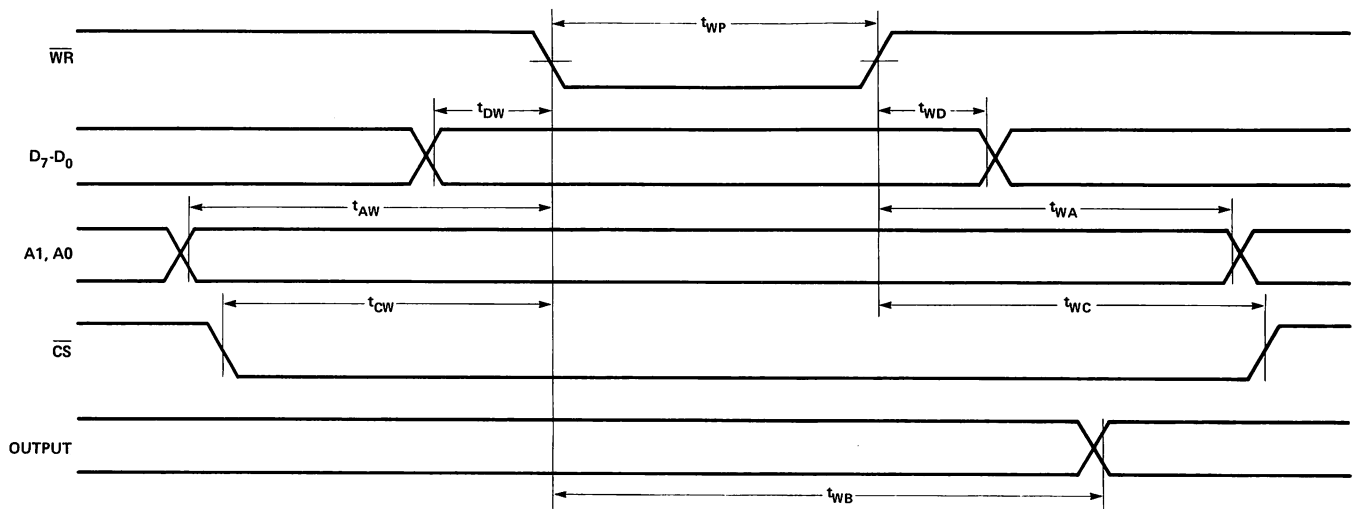
A.C. CHARACTERISTICS $T_A = 0^\circ\text{C}$ to 70°C ; $V_{CC} = +5\text{V} \pm 5\%$; $V_{SS} = 0\text{V}$

Symbol	Parameter	Min.	Typ.	Max.	Unit	Test Condition
t_{WP}	Pulse Width of \overline{WR}			430	ns	
t_{DW}	Time D.B. Stable Before \overline{WR}	10			ns	
t_{WD}	Time D.B. Stable After \overline{WR}	65			ns	
t_{AW}	Time Address Stable Before \overline{WR}	20			ns	
t_{WA}	Time Address Stable After \overline{WR}	35			ns	
t_{CW}	Time CS Stable Before \overline{WR}	20			ns	
t_{WC}	Time CS Stable After \overline{WR}	35			ns	
t_{WB}	Delay From \overline{WR} To Output			500	ns	
t_{RP}	Pulse Width of \overline{RD}	430			ns	
t_{IR}	\overline{RD} Set-Up Time	50			ns	
t_{HR}	Input Hold Time	50			ns	
t_{RD}	Delay From $\overline{RD} = 0$ To System Bus	350			ns	
t_{OD}	Delay From $\overline{RD} = 1$ To System Bus	150			ns	
t_{AR}	Time Address Stable Before \overline{RD}	50			ns	
t_{CR}	Time \overline{CS} Stable Before \overline{RD}	50			ns	
t_{AK}	Width Of \overline{ACK} Pulse	500			ns	
t_{ST}	Width Of \overline{STB} Pulse	350			ns	
t_{PS}	Set-Up Time For Peripheral	150			ns	
t_{PH}	Hold Time For Peripheral	150			ns	
t_{RA}	Hold Time for A_1, A_0 After $\overline{RD} = 1$	379			ns	
t_{RC}	Hold Time For CS After $\overline{RD} = 1$	5			ns	
t_{AD}	Time From $\overline{ACK} = 0$ To Output (Mode 2)			500	ns	
t_{KD}	Time From $\overline{ACK} = 1$ To Output Floating			300	ns	
t_{WO}	Time From $\overline{WR} = 1$ To $\overline{OBF} = 0$			300	ns	
t_{AO}	Time From $\overline{ACK} = 0$ To $\overline{OBF} = 1$			500	ns	
t_{SI}	Time From $\overline{STB} = 0$ To IBF			600	ns	
t_{RI}	Time From $\overline{RD} = 1$ To IBF = 0			300	ns	

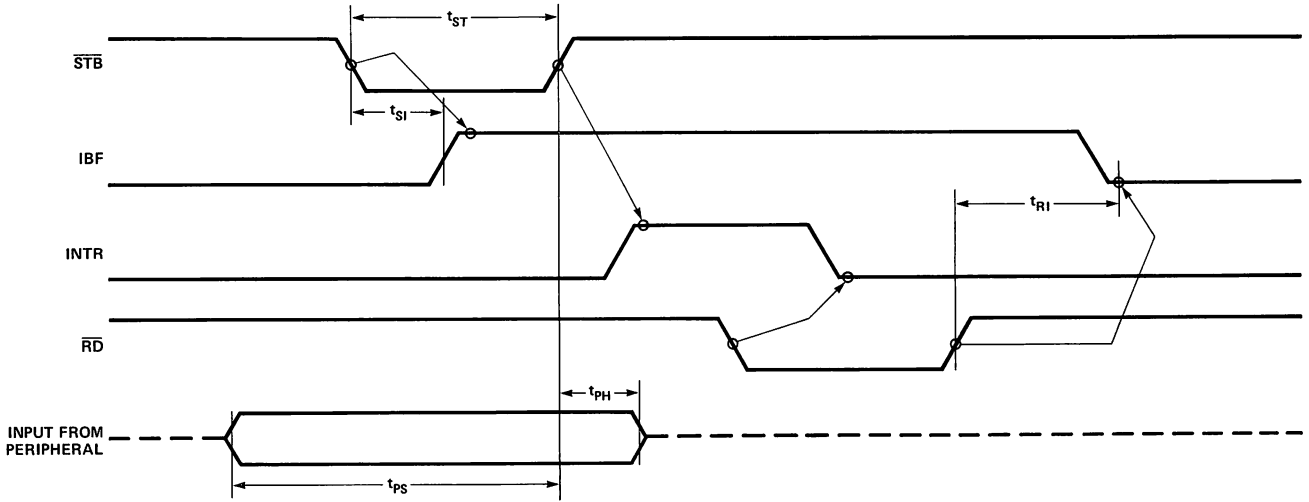
SILICON GATE MOS 8255



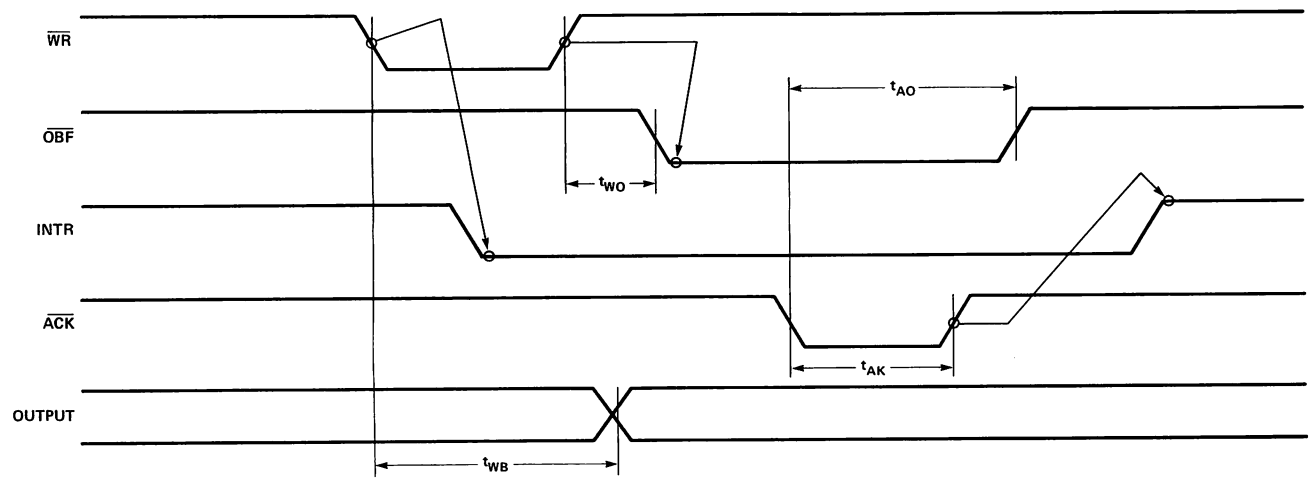
Mode 0 (Basic Input)



Mode 0 (Basic Output)

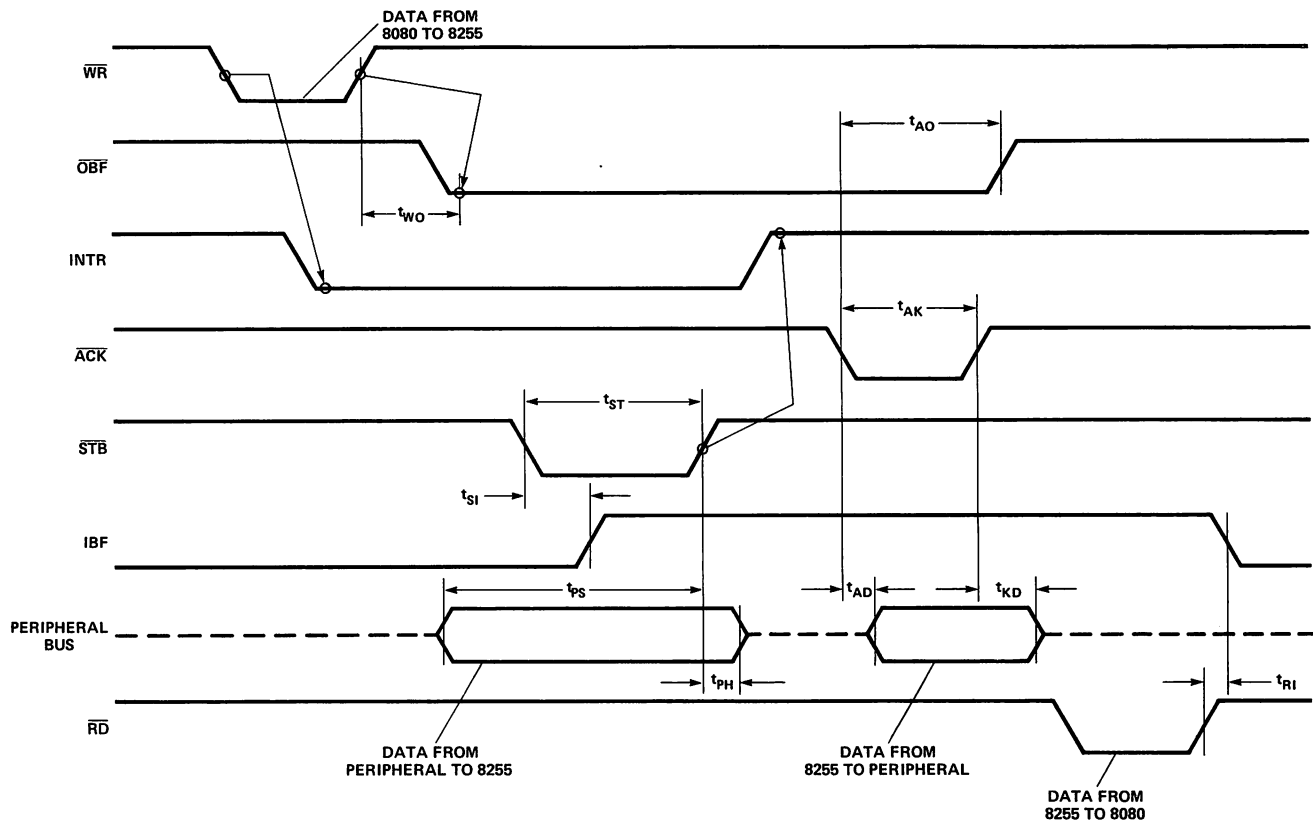


Mode 1 (Strobed Input)



Mode 1 (Strobed Output)

SILICON GATE MOS 8255



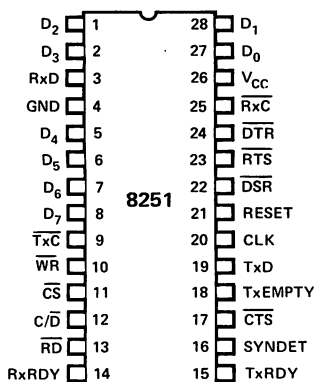
Mode 2 (Bi-directional)

PROGRAMMABLE COMMUNICATION INTERFACE

- **Synchronous and Asynchronous Operation**
 - **Synchronous:**
 - 5-8 Bit Characters
 - Internal or External Character Synchronization
 - Automatic Sync Insertion
 - **Asynchronous:**
 - 5-8 Bit Characters
 - Clock Rate — 1, 16 or 64 Times Baud Rate
 - Break Character Generation
 - 1, 1½, or 2 Stop Bits
 - False Start Bit Detection
- **Baud Rate — DC to 56k Baud (Sync Mode)**
DC to 9.6k Baud (Async Mode)
- **Full Duplex, Double Buffered, Transmitter and Receiver**
- **Error Detection — Parity, Overrun, and Framing**
- **Fully Compatible with 8080 CPU**
- **28-Pin DIP Package**
- **All Inputs and Outputs Are TTL Compatible**
- **Single 5 Volt Supply**
- **Single TTL Clock**

The 8251 is a Universal Synchronous/Asynchronous Receiver / Transmitter (USART) Chip designed for data communications in microcomputer systems. The USART is used as a peripheral device and is programmed by the CPU to operate using virtually any serial data transmission technique presently in use (including IBM Bi-Sync). The USART accepts data characters from the CPU in parallel format and then converts them into a continuous serial data stream for transmission. Simultaneously it can receive serial data streams and convert them into parallel data characters for the CPU. The USART will signal the CPU whenever it can accept a new character for transmission or whenever it has received a character for the CPU. The CPU can read the complete status of the USART at any time. These include data transmission errors and control signals such as SYNDET, TxEMPTY. The chip is constructed using N-channel silicon gate technology.

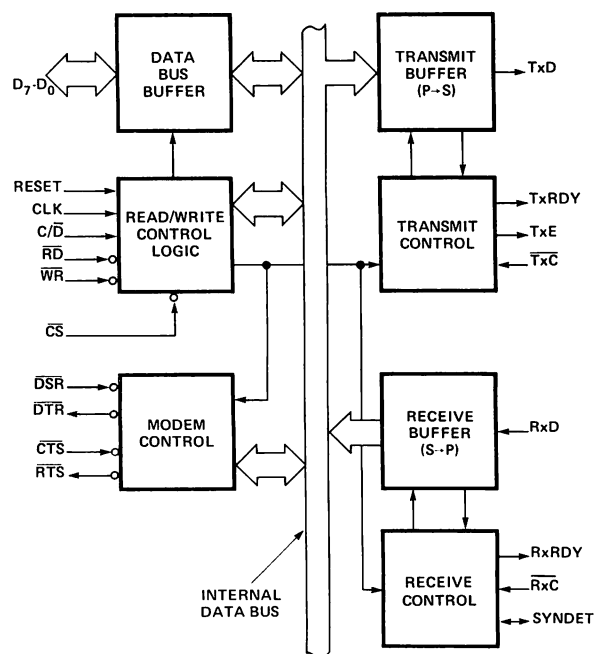
PIN CONFIGURATION



Pin Name	Pin Function
D ₇ -D ₀	Data Bus (8 bits)
C/D	Control or Data is to be Written or Read
RD	Read Data Command
WR	Write Data or Control Command
CS	Chip Enable
CLK	Clock Pulse (TTL)
RESET	Reset
TxC	Transmitter Clock
TxD	Transmitter Data
RxC	Receiver Clock
RxD	Receiver Data
RxRDY	Receiver Ready (has character for 8080)
TxRDY	Transmitter Ready (ready for char. from 8080)

Pin Name	Pin Function
DSR	Data Set Ready
DTR	Data Terminal Ready
SYNDET	Sync Detect
RTS	Request to Send Data
CTS	Clear to Send Data
TxE	Transmitter Empty
V _{CC}	+5 Volt Supply
GND	Ground

BLOCK DIAGRAM



8251 BASIC FUNCTIONAL DESCRIPTION

General

The 8251 is a Universal Synchronous/Asynchronous Receiver/Transmitter designed specifically for the 8080 Microcomputer System. Like other I/O devices in the 8080 Microcomputer System its functional configuration is programmed by the systems software for maximum flexibility. The 8251 can support virtually any serial data technique currently in use (including IBM "bi-sync").

In a communication environment an interface device must convert parallel format system data into serial format for transmission and convert incoming serial format data into parallel system data for reception. The interface device must also delete or insert bits or characters that are functionally unique to the communication technique. In essence, the interface should appear "transparent" to the CPU, a simple input or output of byte-oriented system data.

Data Bus Buffer

This 3-state, bi-directional, 8-bit buffer is used to interface the 8251 to the 8080 system Data Bus. Data is transmitted or received by the buffer upon execution of INput or OUTput instructions of the 8080 CPU. Control words, Command words and Status information are also transferred through the Data Bus Buffer.

Read/Write Control Logic

This functional block accepts inputs from the 8080 Control bus and generates control signals for overall device operation. It contains the Control Word Register and Command Word Register that store the various control formats for device functional definition.

RESET (Reset)

A "high" on this input forces the 8251 into an "Idle" mode. The device will remain at "Idle" until a new set of control words is written into the 8251 to program its functional definition.

CLK (Clock)

The CLK input is used to generate internal device timing and is normally connected to the Phase 2 (TTL) output of the 8224 Clock Generator. No external inputs or outputs are referenced to CLK but the frequency of CLK must be greater than 30 times the Receiver or Transmitter clock inputs for synchronous mode (4.5 times for asynchronous mode).

\overline{WR} (Write)

A "low" on this input informs the 8251 that the CPU is outputting data or control words, in essence, the CPU is writing out to the 8251.

\overline{RD} (Read)

A "low" on this input informs the 8251 that the CPU is inputting data or status information, in essence, the CPU is reading from the 8251.

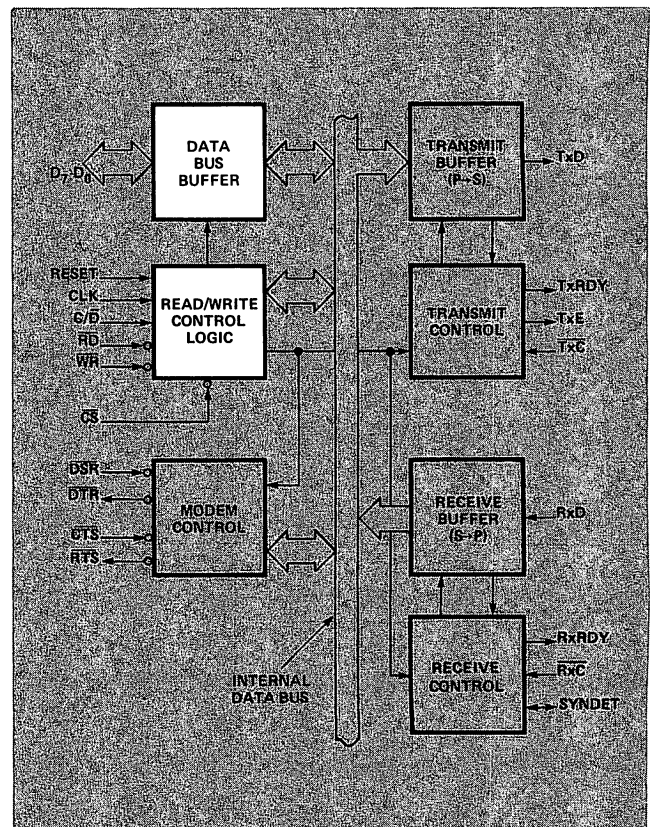
C/\overline{D} (Control/Data)

This input, in conjunction with the \overline{WR} and \overline{RD} inputs informs the 8251 that the word on the Data Bus is either a data character, control word or status information.

1 = CONTROL 0 = DATA

\overline{CS} (Chip Select)

A "low" on this input enables the 8251. No reading or writing will occur unless the device is selected.



C/\overline{D}	\overline{RD}	\overline{WR}	\overline{CS}	
0	0	1	0	8251 \Rightarrow DATA BUS
0	1	0	0	DATA BUS \Rightarrow 8251
1	0	1	0	STATUS \Rightarrow DATA BUS
1	1	0	0	DATA BUS \Rightarrow CONTROL
X	X	X	1	DATA BUS \Rightarrow 3-STATE

Modem Control

The 8251 has a set of control inputs and outputs that can be used to simplify the interface to almost any Modem. The modem control signals are general purpose in nature and can be used for functions other than Modem control, if necessary.

\overline{DSR} (Data Set Ready)

The \overline{DSR} input signal is general purpose in nature. Its condition can be tested by the CPU using a Status Read operation. The \overline{DSR} input is normally used to test Modem conditions such as Data Set Ready.

\overline{DTR} (Data Terminal Ready)

The \overline{DTR} output signal is general purpose in nature. It can be set "low" by programming the appropriate bit in the Command Instruction word. The \overline{DTR} output signal is normally used for Modem control such as Data Terminal Ready or Rate Select.

\overline{RTS} (Request to Send)

The \overline{RTS} output signal is general purpose in nature. It can be set "low" by programming the appropriate bit in the Command Instruction word. The \overline{RTS} output signal is normally used for Modem control such as Request to Send.

\overline{CTS} (Clear to Send)

A "low" on this input enables the 8251 to transmit data (serial) if the Tx EN bit in the Command byte is set to a "one."

Transmitter Buffer

The Transmitter Buffer accepts parallel data from the Data Bus Buffer, converts it to a serial bit stream, inserts the appropriate characters or bits (based on the communication technique) and outputs a composite serial stream of data on the TxD output pin.

Transmitter Control

The Transmitter Control manages all activities associated with the transmission of serial data. It accepts and issues signals both externally and internally to accomplish this function.

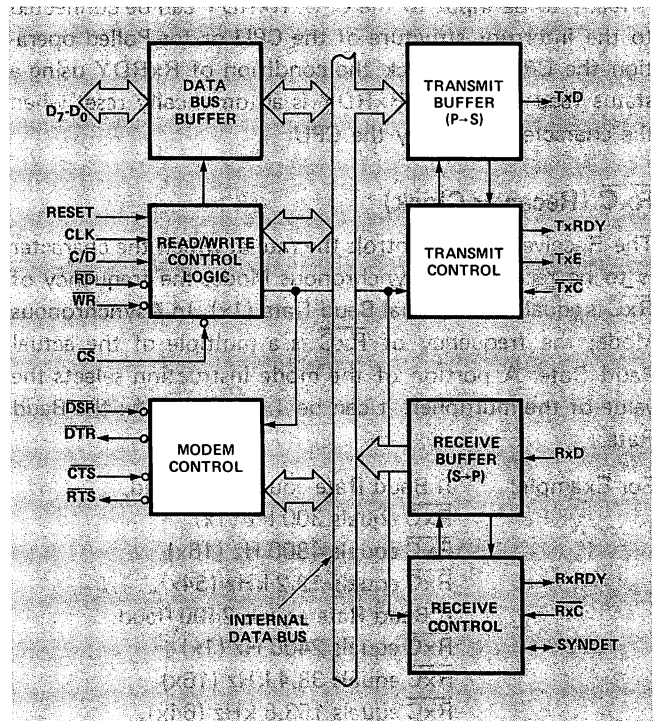
TxRDY (Transmitter Ready)

This output signals the CPU that the transmitter is ready to accept a data character. It can be used as an interrupt to the system or for the Polled operation the CPU can check TxRDY using a status read operation. TxRDY is automatically reset when a character is loaded from the CPU.

TxE (Transmitter Empty)

When the 8251 has no characters to transmit, the TxE output will go "high". It resets automatically upon receiving a character from the CPU. TxE can be used to indicate the end of a transmission mode, so that the CPU "knows" when to "turn the line around" in the half-duplexed operational mode.

In SYNChronous mode, a "high" on this output indicates that a character has not been loaded and the SYNC character or characters are about to be transmitted automatically as "fillers".



\overline{TxC} (Transmitter Clock)

The Transmitter Clock controls the rate at which the character is to be transmitted. In the Synchronous transmission mode, the frequency of \overline{TxC} is equal to the actual Baud Rate (1X). In Asynchronous transmission mode, the frequency of \overline{TxC} is a multiple of the actual Baud Rate. A portion of the mode instruction selects the value of the multiplier; it can be 1x, 16x or 64x the Baud Rate.

For Example:

If Baud Rate equals 110 Baud,

\overline{TxC} equals 110 Hz (1x)

\overline{TxC} equals 1.76 kHz (16x)

\overline{TxC} equals 7.04 kHz (64x).

If Baud Rate equals 9600 Baud,

\overline{TxC} equals 614.4 kHz (64x).

The falling edge of \overline{TxC} shifts the serial data out of the 8251.

Receiver Buffer

The Receiver accepts serial data, converts this serial input to parallel format, checks for bits or characters that are unique to the communication technique and sends an "assembled" character to the CPU. Serial data is input to the RxD pin.

Receiver Control

This functional block manages all receiver-related activities.

RxRDY (Receiver Ready)

This output indicates that the 8251 contains a character that is ready to be input to the CPU. RxRDY can be connected to the interrupt structure of the CPU or for Polled operation the CPU can check the condition of RxRDY using a status read operation. RxRDY is automatically reset when the character is read by the CPU.

RxC (Receiver Clock)

The Receiver Clock controls the rate at which the character is to be received. In Synchronous Mode, the frequency of RxC is equal to the actual Baud Rate (1x). In Asynchronous Mode, the frequency of RxC is a multiple of the actual Baud Rate. A portion of the mode instruction selects the value of the multiplier; it can be 1x, 16x or 64x the Baud Rate.

For Example:

- If Baud Rate equals 300 Baud,
 - RxC equals 300 Hz (1x)
 - RxC equals 4800 Hz (16x)
 - RxC equals 19.2 kHz (64x).
- If Baud Rate equals 2400 Baud,
 - RxC equals 2400 Hz (1x)
 - RxC equals 38.4 kHz (16x)
 - RxC equals 153.6 kHz (64x).

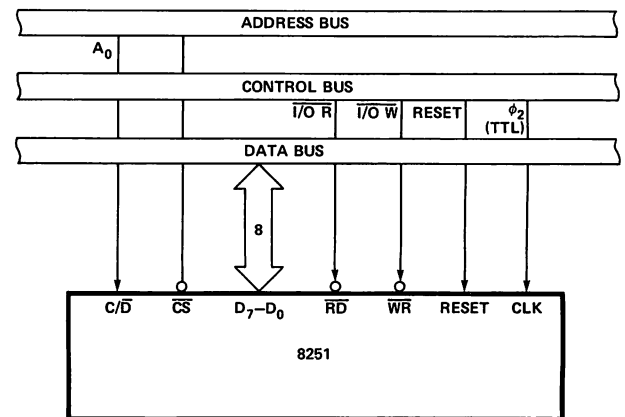
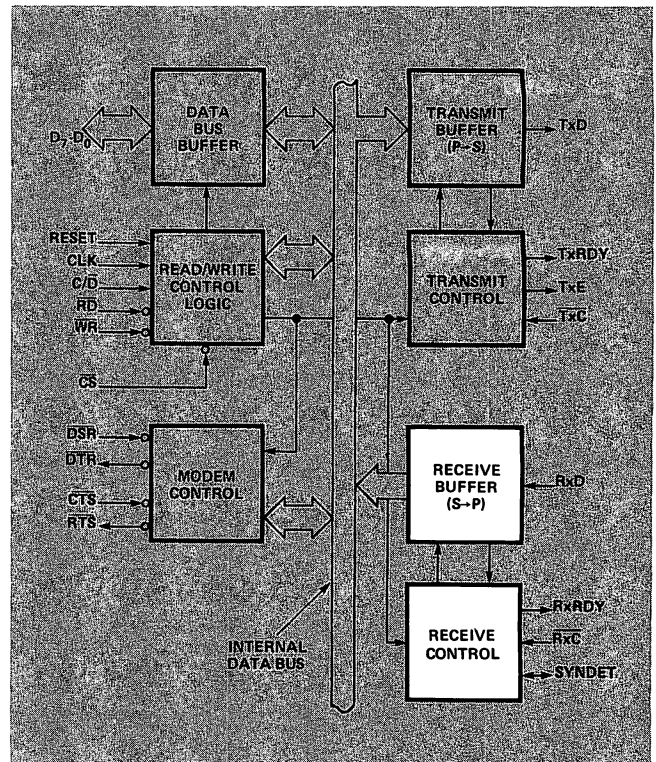
Data is sampled into the 8251 on the rising edge of RxC.

NOTE: In most communications systems, the 8251 will be handling both the transmission and reception operations of a single link. Consequently, the Receive and Transmit Baud Rates will be the same. Both Tx̄C and RxC will require identical frequencies for this operation and can be tied together and connected to a single frequency source (Baud Rate Generator) to simplify the interface.

SYNDET (SYNC Detect)

This pin is used in SYNChronous Mode only. It is used as either input or output, programmable through the Control Word. It is reset to "low" upon RESET. When used as an output (internal Sync mode), the SYNDET pin will go "high" to indicate that the 8251 has located the SYNC character in the Receive mode. If the 8251 is programmed to use double Sync characters (bi-sync), then SYNDET will go "high" in the middle of the last bit of the second Sync character. SYNDET is automatically reset upon a Status Read operation.

When used as an input, (external SYNC detect mode), a positive going signal will cause the 8251 to start assembling data characters on the falling edge of the next RxC. Once in SYNC, the "high" input signal can be removed. The duration of the high signal should be at least equal to the period of RxC.



8251 Interface to 8080 Standard System Bus

DETAILED OPERATION DESCRIPTION

General

The complete functional definition of the 8251 is programmed by the systems software. A set of control words must be sent out by the CPU to initialize the 8251 to support the desired communications format. These control words will program the: BAUD RATE, CHARACTER LENGTH, NUMBER OF STOP BITS, SYNCHRONOUS or ASYNCHRONOUS OPERATION, EVEN/ODD PARITY etc. In the Synchronous Mode, options are also provided to select either internal or external character synchronization.

Once programmed, the 8251 is ready to perform its communication functions. The TxRDY output is raised "high" to signal the CPU that the 8251 is ready to receive a character. This output (TxRDY) is reset automatically when the CPU writes a character into the 8251. On the other hand, the 8251 receives serial data from the MODEM or I/O device, upon receiving an entire character the RxRDY output is raised "high" to signal the CPU that the 8251 has a complete character ready for the CPU to fetch. RxRDY is reset automatically upon the CPU read operation.

The 8251 cannot begin transmission until the TxEN (Transmitter Enable) bit is set in the Command Instruction and it has received a Clear To Send (CTS) input. The TxRDY output will be held in the marking state upon Reset.

Programming the 8251

Prior to starting data transmission or reception, the 8251 must be loaded with a set of control words generated by the CPU. These control signals define the complete functional definition of the 8251 and must immediately follow a Reset operation (internal or external).

The control words are split into two formats:

1. Mode Instruction
2. Command Instruction

Mode Instruction

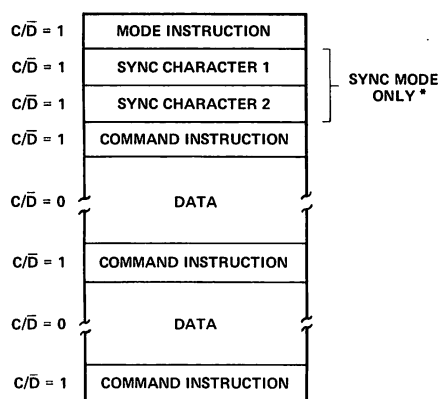
This format defines the general operational characteristics of the 8251. It must follow a Reset operation (internal or external). Once the Mode instruction has been written into the 8251 by the CPU, SYNC characters or Command instructions may be inserted.

Command Instruction

This format defines a status word that is used to control the actual operation of the 8251.

Both the Mode and Command instructions must conform to a specified sequence for proper device operation. The Mode Instruction must be inserted immediately following a Reset operation, prior to using the 8251 for data communication.

All control words written into the 8251 after the Mode Instruction will load the Command Instruction. Command Instructions can be written into the 8251 at any time in the data block during the operation of the 8251. To return to the Mode Instruction format a bit in the Command Instruction word can be set to initiate an internal Reset operation which automatically places the 8251 back into the Mode Instruction format. Command Instructions must follow the Mode Instructions or Sync characters.



*The second SYNC character is skipped if MODE instruction has programmed the 8251 to single character Internal SYNC Mode. Both SYNC characters are skipped if MODE instruction has programmed the 8251 to ASYNC mode.

Typical Data Block

Mode Instruction Definition

The 8251 can be used for either Asynchronous or Synchronous data communication. To understand how the Mode Instruction defines the functional operation of the 8251 the designer can best view the device as two separate components sharing the same package. One Asynchronous the other Synchronous. The format definition can be changed "on the fly" but for explanation purposes the two formats will be isolated.

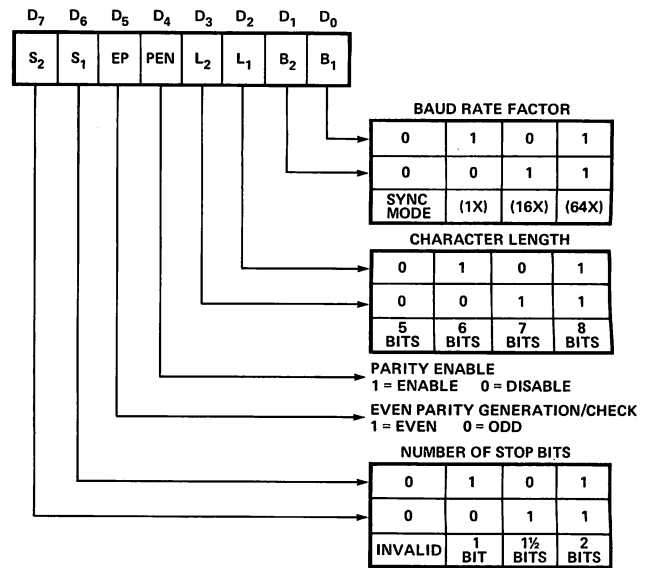
Asynchronous Mode (Transmission)

Whenever a data character is sent by the CPU the 8251 automatically adds a Start bit (low level) and the programmed number of Stop bits to each character. Also, an even or odd Parity bit is inserted prior to the Stop bit(s), as defined by the Mode Instruction. The character is then transmitted as a serial data stream on the TxD output. The serial data is shifted out on the falling edge of $\overline{\text{TxC}}$ at a rate equal to 1, 1/16, or 1/64 that of the $\overline{\text{TxC}}$, as defined by the Mode Instruction. BREAK characters can be continuously sent to the TxD if commanded to do so.

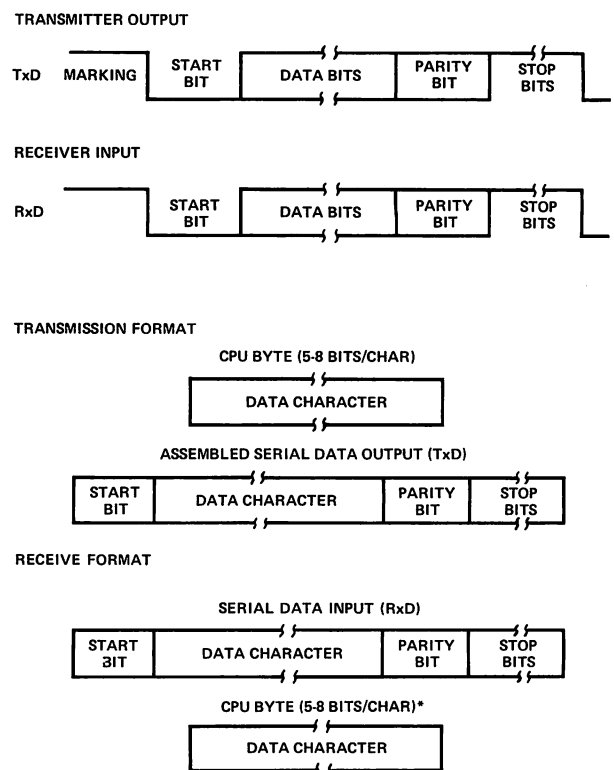
When no data characters have loaded into the 8251 the TxD output remains "high" (marking) unless a Break (continuously low) has been programmed.

Asynchronous Mode (Receive)

The RxD line is normally high. A falling edge on this line triggers the beginning of a START bit. The validity of this START bit is checked by again strobing this bit at its nominal center. If a low is detected again, it is a valid START bit, and the bit counter will start counting. The bit counter locates the center of the data bits, the parity bit (if it exists) and the stop bits. If parity error occurs, the parity error flag is set. Data and parity bits are sampled on the RxD pin with the rising edge of $\overline{\text{RxC}}$. If a low level is detected as the STOP bit, the Framing Error flag will be set. The STOP bit signals the end of a character. This character is then loaded into the parallel I/O buffer of the 8251. The RxRDY pin is raised to signal the CPU that a character is ready to be fetched. If a previous character has not been fetched by the CPU, the present character replaces it in the I/O buffer, and the OVERRUN flag is raised (thus the previous character is lost). All of the error flags can be reset by a command instruction. The occurrence of any of these errors will not stop the operation of the 8251.



Mode Instruction Format, Asynchronous Mode



*NOTE: IF CHARACTER LENGTH IS DEFINED AS 5, 6 OR 7 BITS THE UNUSED BITS ARE SET TO "ZERO".

Asynchronous Mode

Synchronous Mode (Transmission)

The TxD output is continuously high until the CPU sends its first character to the 8251 which usually is a SYNC character. When the \overline{CTS} line goes low, the first character is serially transmitted out. All characters are shifted out on the falling edge of $\overline{Tx\overline{C}}$. Data is shifted out at the same rate as the $\overline{Tx\overline{C}}$.

Once transmission has started, the data stream at TxD output must continue at the $\overline{Tx\overline{C}}$ rate. If the CPU does not provide the 8251 with a character before the 8251 becomes empty, the SYNC characters (or character if in single SYNC word mode) will be automatically inserted in the TxD data stream. In this case, the TxEMPTY pin is raised high to signal that the 8251 is empty and SYNC characters are being sent out. The TxEMPTY pin is internally reset by the next character being written into the 8251.

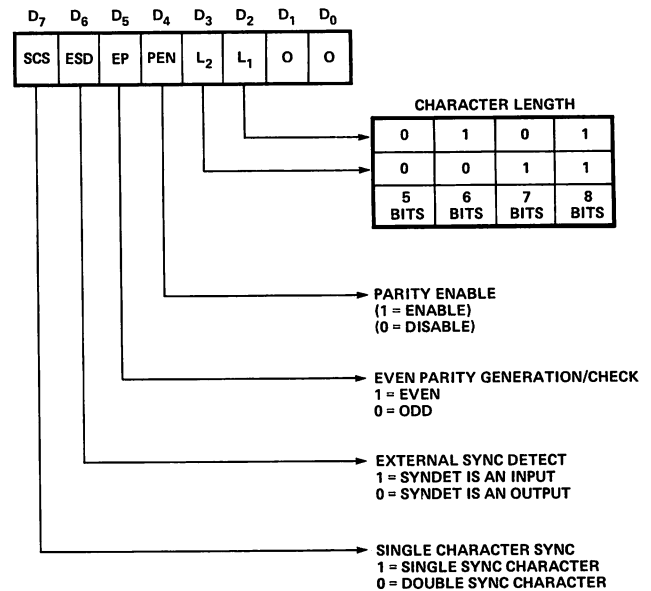
Synchronous Mode (Receive)

In this mode, character synchronization can be internally or externally achieved. If the internal SYNC mode has been programmed, the receiver starts in a HUNT mode. Data on the RxD pin is then sampled in on the rising edge of $\overline{Rx\overline{C}}$. The content of the Rx buffer is continuously compared with the first SYNC character until a match occurs. If the 8251 has been programmed for two SYNC characters, the subsequent received character is also compared; when both SYNC characters have been detected, the USART ends the HUNT mode and is in character synchronization. The SYNDET pin is then set high, and is reset automatically by a STATUS READ.

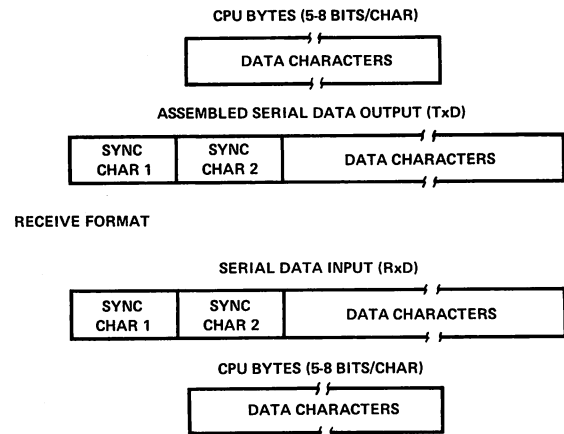
In the external SYNC mode, synchronization is achieved by applying a high level on the SYNDET pin. The high level can be removed after one $\overline{Rx\overline{C}}$ cycle.

Parity error and overrun error are both checked in the same way as in the Asynchronous Rx mode.

The CPU can command the receiver to enter the HUNT mode if synchronization is lost.



Mode Instruction Format, Synchronous Mode

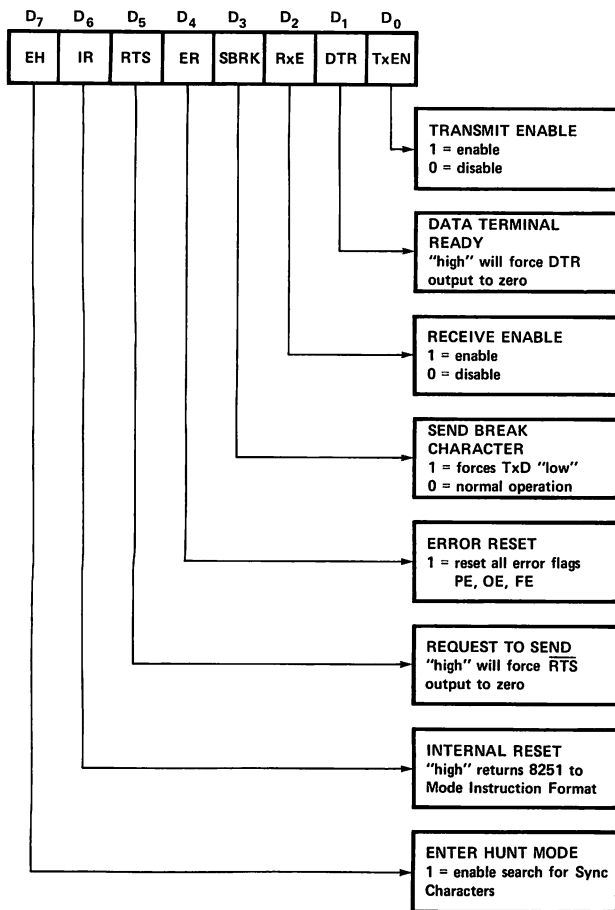


Synchronous Mode, Transmission Format

COMMAND INSTRUCTION DEFINITION

Once the functional definition of the 8251 has been programmed by the Mode Instruction and the Sync Characters are loaded (if in Sync Mode) then the device is ready to be used for data communication. The Command Instruction controls the actual operation of the selected format. Functions such as: Enable Transmit/Receive, Error Reset and Modem Controls are provided by the Command Instruction.

Once the Mode Instruction has been written into the 8251 and Sync characters inserted, if necessary, then all further "control writes" ($C/\bar{D} = 1$) will load the Command Instruction. A Reset operation (internal or external) will return the 8251 to the Mode Instruction Format.



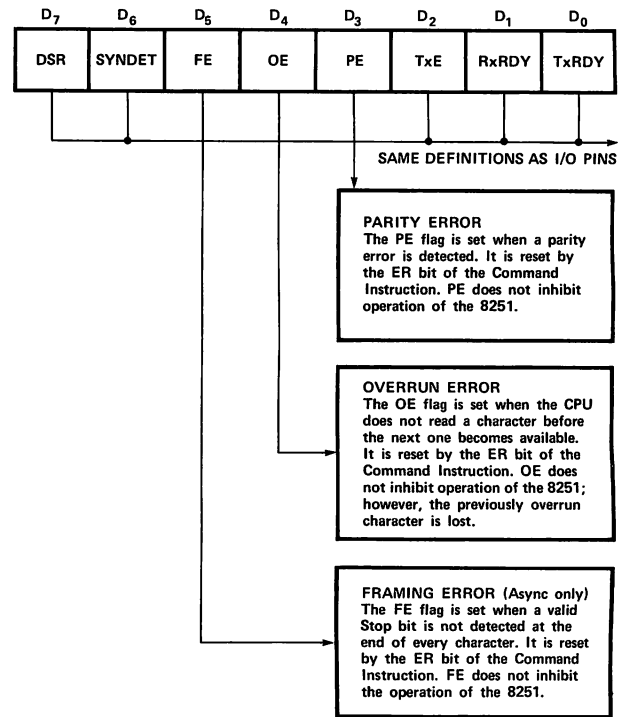
Command Instruction Format

STATUS READ DEFINITION

In data communication systems it is often necessary to examine the "status" of the active device to ascertain if errors have occurred or other conditions that require the processor's attention. The 8251 has facilities that allow the programmer to "read" the status of the device at any time during the functional operation.

A normal "read" command is issued by the CPU with the C/D input at one to accomplish this function.

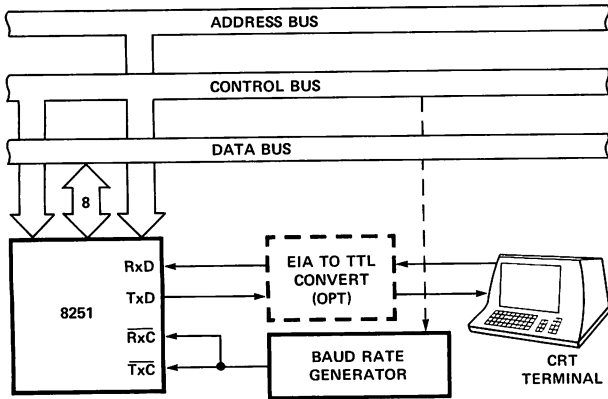
Some of the bits in the Status Read Format have identical meanings to external output pins so that the 8251 can be used in a completely Polled environment or in an interrupt driven environment.



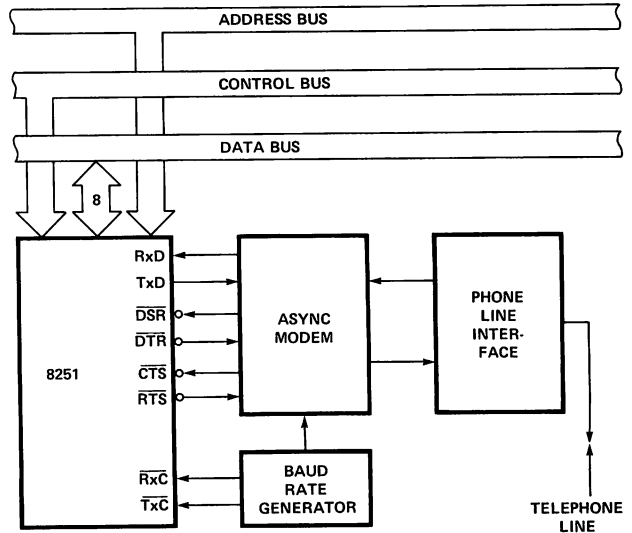
Status Read Format

SILICON GATE MOS 8251

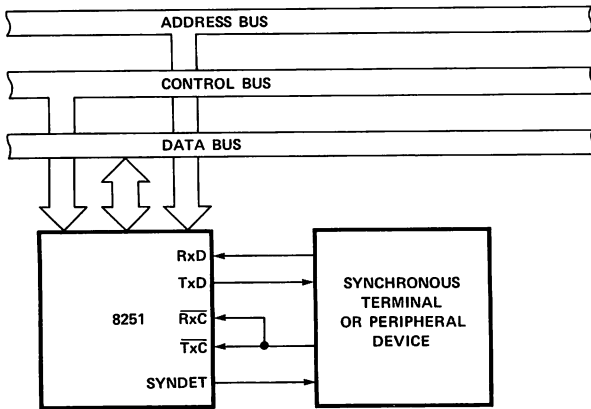
APPLICATIONS OF THE 8251



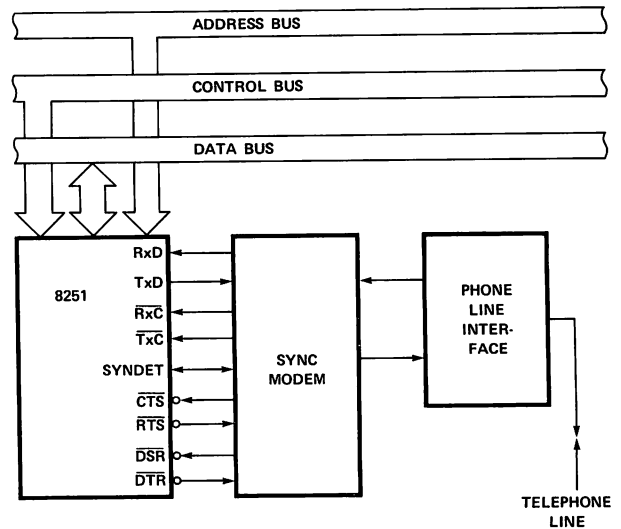
Asynchronous Serial Interface to CRT Terminal, DC-9600 Baud



Asynchronous Interface to Telephone Lines



Synchronous Interface to Terminal or Peripheral Device



Synchronous Interface to Telephone Lines

SILICON GATE MOS 8251

D.C. Characteristics:

$T_A = 0^\circ\text{C}$ to 70°C ; $V_{CC} = 5.0\text{V} \pm 5\%$; $V_{SS} = 0\text{V}$

Symbol	Parameter	Min.	Typ.	Max.	Unit	Test Conditions
V_{IL}	Input Low Voltage	$V_{SS}-.5$		0.8	V	
V_{IH}	Input High Voltage	2.0		V_{CC}	V	
V_{OL}	Output Low Voltage			0.45	V	$I_{OL} = 1.6\text{mA}$
V_{OH}	Output High Voltage	2.2			V	$I_{OH} = -100\mu\text{A}$ (DB ₀₋₇) $I_{OH} = -100\mu\text{A}$ (Others)
I_{DL}	Data Bus Leakage			50	μA	$V_{OUT} = 4.5\text{V}$
I_{LI}	Input Load Current			10	μA	@ 5.5V
I_{CC}	Power Supply Current		45	80		

Capacitance

$T_A = 25^\circ\text{C}$; $V_{CC} = V_{SS} = 0\text{V}$

Symbol	Parameter	Min.	Typ.	Max.	Unit	Test Conditions
C_{IN}	Input Capacitance			10	pF	$f_c = 1\text{MHz}$
$C_{I/O}$	I/O Capacitance			20	pF	Unmeasured pins returned to V_{SS} .

SILICON GATE MOS 8251

A.C. Characteristics:

$T_A = 0^\circ\text{C}$ to 70°C ; $V_{CC} = 5.0\text{V} \pm 5\%$; $V_{SS} = 0\text{V}$

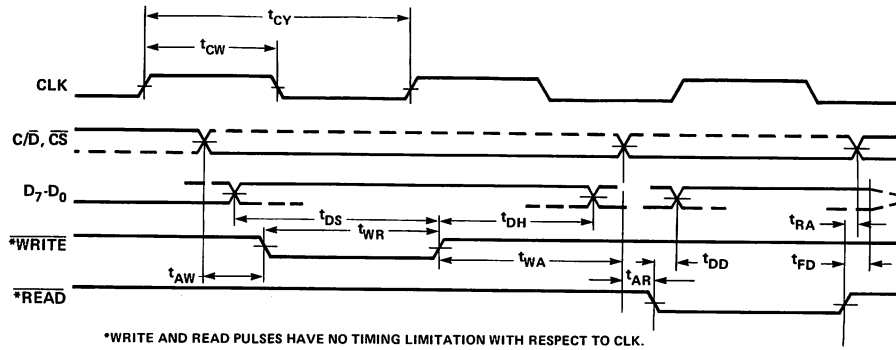
Symbol	Parameter	Min.	Typ.	Max.	Unit	Test Conditions
t_{CY}	Clock Period	.420		1.35	μs	
$t_{\phi W}$	Clock Pulse Width	220		300	ns	
t_R, t_F	Clock Rise and Fall Time	0		50	ns	
t_{WR}	$\overline{\text{WRITE}}$ Pulse Width	430			ns	
t_{DS}	Data Set-Up Time for $\overline{\text{WRITE}}$	0			ns	
t_{DH}	Data Hold Time for $\overline{\text{WRITE}}$	65			ns	
t_{AW}	Address Stable before $\overline{\text{WRITE}}$	20			ns	
t_{WA}	Address Hold Time for $\overline{\text{WRITE}}$	35			ns	
t_{RD}	READ Pulse Width	430			ns	
t_{DD}	Data Delay from $\overline{\text{READ}}$	350			ns	$C_L = 100\text{pF}$
t_{DF}	$\overline{\text{READ}}$ to Data Floating	150			ns	$C_L = 100\text{pF}$
t_{AR1}	Address Stable before $\overline{\text{READ}}$, CE (C/D)	50			ns	
t_{RA1}	Address Hold Time for $\overline{\text{READ}}$, CE	5			ns	
t_{RA2}	Address Hold Time for $\overline{\text{READ}}$, C/D	370			ns	
t_{DTx}	TxD Delay from Falling Edge of Tx C	1			μs	$C_L = 100\text{pF}$
t_{SRx}	Rx Data Set-Up Time to Sampling Pulse	2			μs	$C_L = 100\text{pF}$
t_{HRx}	Rx Data Hold Time to Sampling Pulse	2			μs	$C_L = 100\text{pF}$
f_{Tx}	Transmitter Input Clock Frequency 1X Baud Rate 16X and 64X Baud Rate	DC DC		56 615	KHz KHz	
f_{Rx}	Receiver Input Clock Frequency 1X Baud Rate 16X and 64X Baud Rate	DC DC		56 615	KHz KHz	
t_{Tx}	TxRDY Delay from Center of Data Bit			16	CLK Period	$C_L = 50\text{pF}$
t_{Rx}	RxRDY Delay from Center of Data Bit	15		20	CLK Period	
t_{IS}	Internal Syndet Delay from Center of Data Bit	20		25	CLK Period	
t_{ES}	External Syndet Set-Up Time before Falling Edge of Rx C			15	CLK Period	

Note: The Tx C and Rx C frequencies have the following limitation with respect to CLK.

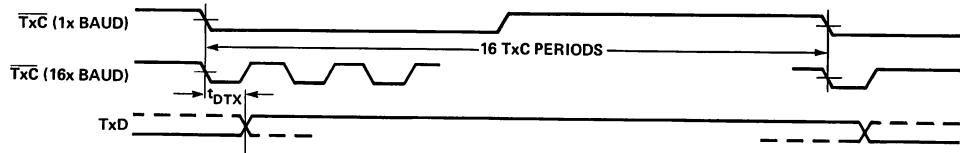
For ASYNC Mode, t_{Tx} or $t_{Rx} \geq 4.5 t_{CY}$

For SYNC Mode, t_{Tx} or $t_{Rx} \geq 30 t_{CY}$

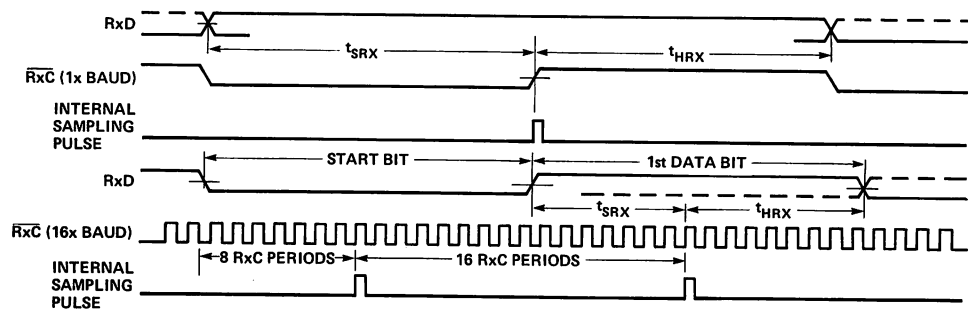
READ AND WRITE TIMING



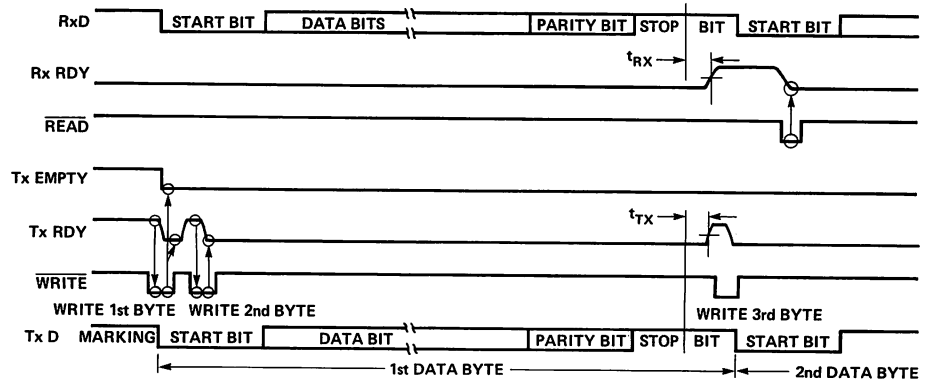
TRANSMITTER CLOCK AND DATA



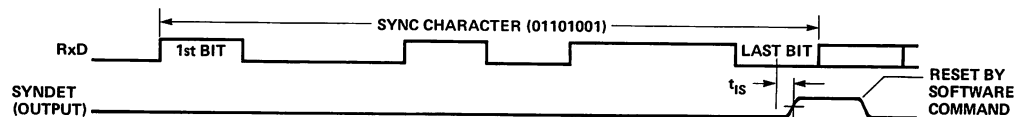
RECEIVER CLOCK AND DATA



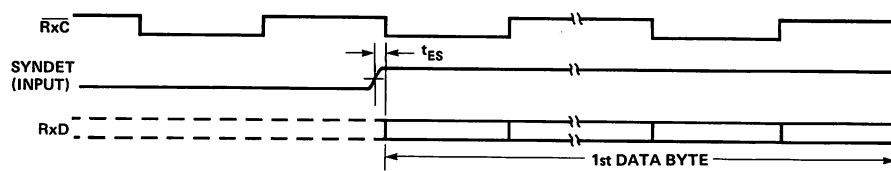
Tx RDY AND Rx RDY TIMING (ASYNC MODE)



INTERNAL SYNC DETECT



EXTERNAL SYNC DETECT

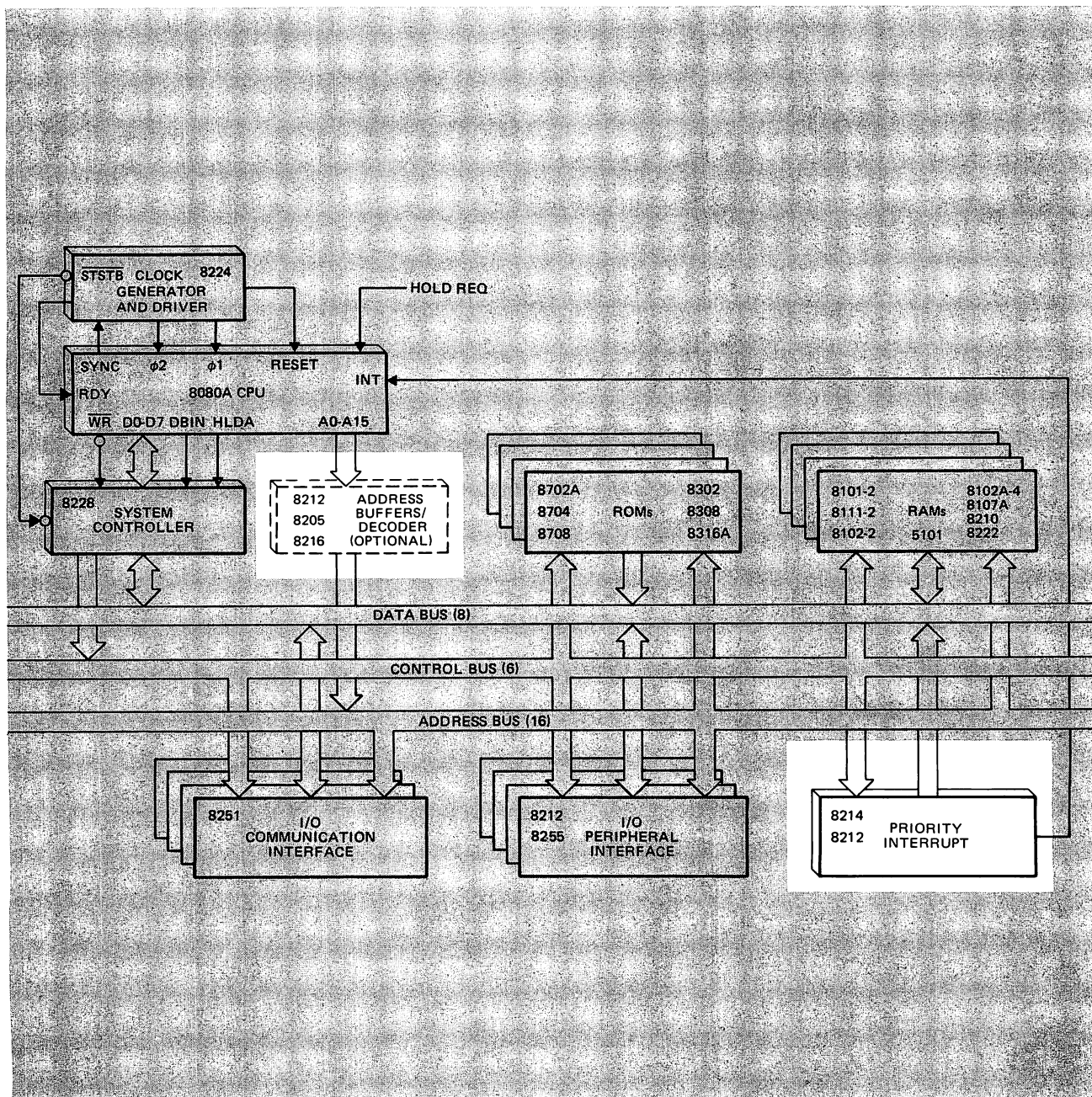


Peripherals

8205

8214

8216/8226



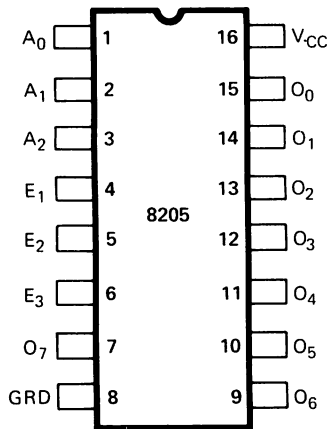
HIGH SPEED 1 OUT OF 8 BINARY DECODER

- I/O Port or Memory Selector
- Simple Expansion — Enable Inputs
- High Speed Schottky Bipolar Technology — 18ns Max. Delay
- Directly Compatible with TTL Logic Circuits
- Low Input Load Current — .25 mA max., 1/6 Standard TTL Input Load
- Minimum Line Reflection — Low Voltage Diode Input Clamp
- Outputs Sink 10 mA min.
- 16-Pin Dual-In-Line Ceramic or Plastic Package

The 8205 decoder can be used for expansion of systems which utilize input ports, output ports, and memory components with active low chip select input. When the 8205 is enabled, one of its eight outputs goes "low", thus a single row of a memory system is selected. The 3 chip enable inputs on the 8205 allow easy system expansion. For very large systems, 8205 decoders can be cascaded such that each decoder can drive eight other decoders for arbitrary memory expansions.

The Intel® 8205 is packaged in a standard 16 pin dual-in-line package; and its performance is specified over the temperature range of 0°C to +75°C, ambient. The use of Schottky barrier diode clamped transistors to obtain fast switching speeds results in higher performance than equivalent devices made with a gold diffusion process.

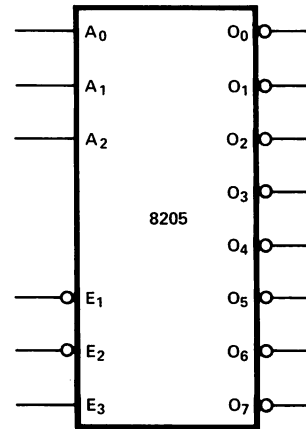
PIN CONFIGURATION



PIN NAMES

A ₀ -A ₂	ADDRESS INPUTS
E ₁ -E ₃	ENABLE INPUTS
O ₀ -O ₇	DECODED OUTPUTS

LOGIC SYMBOL



ADDRESS			ENABLE			OUTPUTS							
A ₀	A ₁	A ₂	E ₁	E ₂	E ₃	0	1	2	3	4	5	6	7
L	L	L	L	L	H	L	H	H	H	H	H	H	H
H	L	L	L	L	H	H	L	H	H	H	H	H	H
L	H	L	L	L	H	H	H	L	H	H	H	H	H
H	H	L	L	L	H	H	H	H	L	H	H	H	H
L	L	H	L	L	H	H	H	H	H	L	H	H	H
H	L	H	L	L	H	H	H	H	H	H	L	H	H
L	H	H	L	L	H	H	H	H	H	H	H	L	H
H	H	H	L	L	H	H	H	H	H	H	H	H	L
X	X	X	L	L	L	H	H	H	H	H	H	H	H
X	X	X	H	L	L	H	H	H	H	H	H	H	H
X	X	X	L	H	L	H	H	H	H	H	H	H	H
X	X	X	H	H	L	H	H	H	H	H	H	H	H
X	X	X	H	L	H	H	H	H	H	H	H	H	H
X	X	X	L	H	H	H	H	H	H	H	H	H	H
X	X	X	H	H	H	H	H	H	H	H	H	H	H

SCHOTTKY BIPOLAR 8205

FUNCTIONAL DESCRIPTION

Decoder

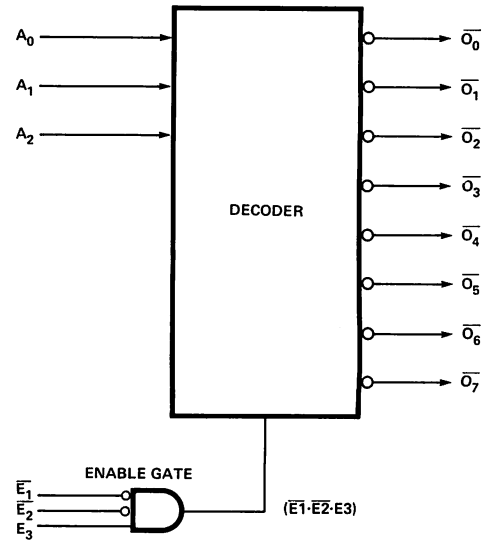
The 8205 contains a one out of eight binary decoder. It accepts a three bit binary code and by gating this input, creates an exclusive output that represents the value of the input code.

For example, if a binary code of 101 was present on the A0, A1 and A2 address input lines, and the device was enabled, an active low signal would appear on the $\overline{O_5}$ output line. Note that all of the other output pins are sitting at a logic high, thus the decoded output is said to be exclusive. The decoders outputs will follow the truth table shown below in the same manner for all other input variations.

Enable Gate

When using a decoder it is often necessary to gate the outputs with timing or enabling signals so that the exclusive output of the decoded value is synchronous with the overall system.

The 8205 has a built-in function for such gating. The three enable inputs ($\overline{E_1}$, $\overline{E_2}$, E3) are ANDed together and create a single enable signal for the decoder. The combination of both active "high" and active "low" device enable inputs provides the designer with a powerfully flexible gating function to help reduce package count in his system.



ADDRESS			ENABLE			OUTPUTS							
A ₀	A ₁	A ₂	E ₁	E ₂	E ₃	0	1	2	3	4	5	6	7
L	L	L	L	L	H	L	H	H	H	H	H	H	H
H	L	L	L	L	H	H	L	H	H	H	H	H	H
L	H	L	L	L	H	H	H	L	H	H	H	H	H
H	H	L	L	L	H	H	H	H	L	H	H	H	H
L	L	H	L	L	H	H	H	H	H	L	H	H	H
H	L	H	L	L	H	H	H	H	H	H	L	H	H
L	H	H	L	L	H	H	H	H	H	H	H	L	H
H	H	H	L	L	H	H	H	H	H	H	H	H	L
X	X	X	L	L	L	H	H	H	H	H	H	H	H
X	X	X	H	L	L	H	H	H	H	H	H	H	H
X	X	X	L	H	L	H	H	H	H	H	H	H	H
X	X	X	H	H	L	H	H	H	H	H	H	H	H
X	X	X	H	L	H	H	H	H	H	H	H	H	H
X	X	X	L	H	H	H	H	H	H	H	H	H	H
X	X	X	H	H	H	H	H	H	H	H	H	H	H

SCHOTTKY BIPOLAR 8205

APPLICATIONS OF THE 8205

The 8205 can be used in a wide variety of applications in microcomputer systems. I/O ports can be decoded from the address bus, chip select signals can be generated to select memory devices and the type of machine state such as in 8008 systems can be derived from a simple decoding of the state lines (S0, S1, S2) of the 8008 CPU.

I/O Port Decoder

Shown in the figure below is a typical application of the 8205. Address input lines are decoded by a group of 8205s (3). Each input has a binary weight. For example, A0 is assigned a value of 1 and is the LSB; A4 is assigned a value of 16 and is the MSB. By connecting them to the decoders as shown, an active low signal that is exclusive in nature and represents the value of the input address lines, is available at the outputs of the 8205s.

This circuit can be used to generate enable signals for I/O ports or any other decoder related application.

Note that no external gating is required to decode up to 24 exclusive devices and that a simple addition of an inverter or two will allow expansion to even larger decoder networks.

Chip Select Decoder

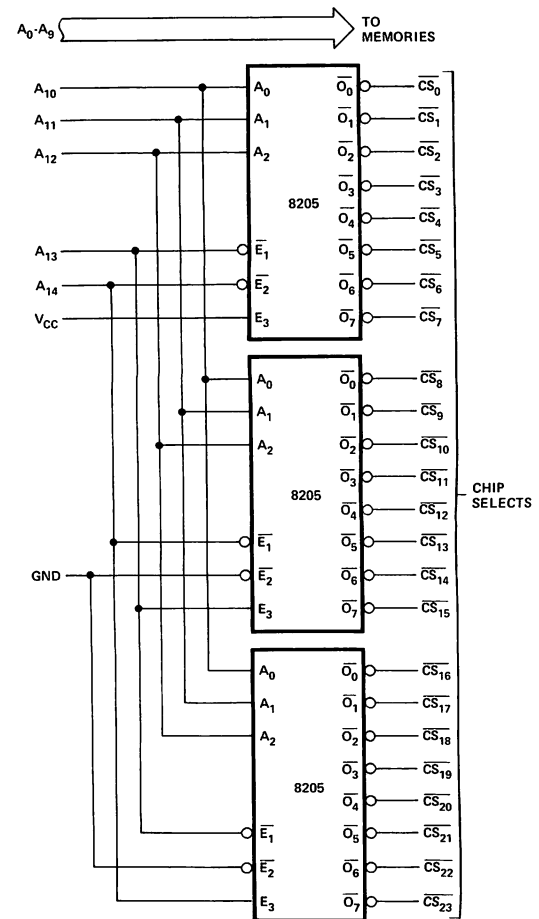
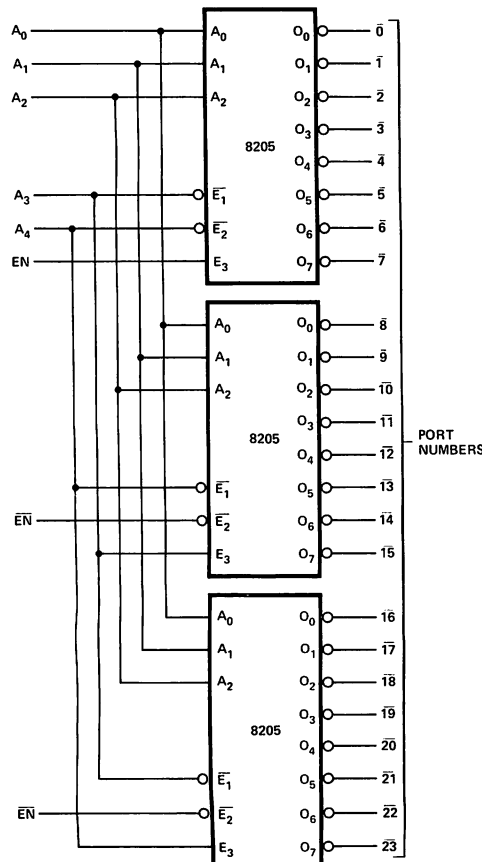
Using a very similar circuit to the I/O port decoder, an ar-

ray of 8205s can be used to create a simple interface to a 24K memory system.

The memory devices used can be either ROM or RAM and are 1K in storage capacity. 8308s and 8102s are the devices typically used for this application. This type of memory device has ten (10) address inputs and an active "low" chip select (\overline{CS}). The lower order address bits A0-A9 which come from the microprocessor are "bussed" to all memory elements and the chip select to enable a specific device or group of devices comes from the array of 8205s. The output of the 8205 is active low so it is directly compatible with the memory components.

Basic operation is that the CPU issues an address to identify a specific memory location in which it wishes to "write" or "read" data. The most significant address bits A10-A14 are decoded by the array of 8205s and an exclusive, active low, chip select is generated that enables a specific memory device. The least significant address bits A0-A9 identify a specific location within the selected device. Thus, all addresses throughout the entire memory array are exclusive in nature and are non-redundant.

This technique can be expanded almost indefinitely to support even larger systems with the addition of a few inverters and an extra decoder (8205).



I/O Port Decoder

24K Memory Interface

Logic Element Example

Probably the most overlooked application of the 8205 is that of a general purpose logic element. Using the "on-chip" enabling gate, the 8205 can be configured to gate its decoded outputs with system timing signals and generate strobes that can be directly connected to latches, flip-flops and one-shots that are used throughout the system.

An excellent example of such an application is the "state decoder" in an 8008 CPU based system. The 8008 CPU issues three bits of information (S₀, S₁, S₂) that indicate the nature of the data on the Data Bus during each machine state. Decoding of these signals is vital to generate strobes that can load the address latches, control bus discipline and general machine functions.

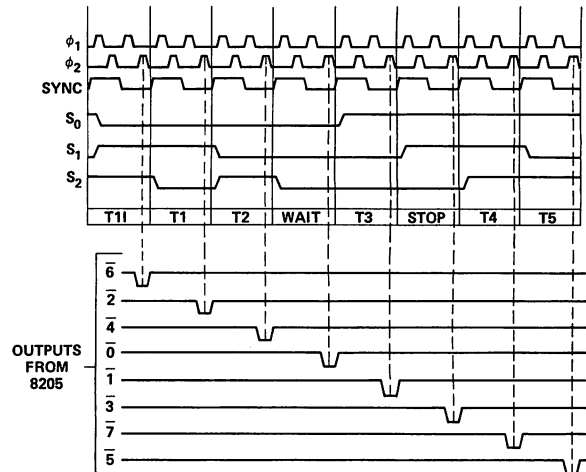
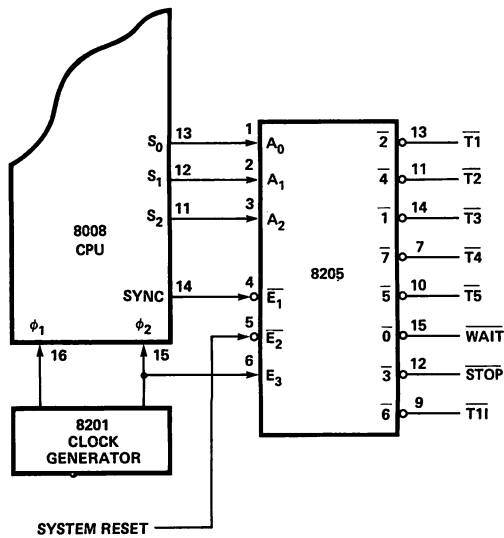
In the figure below a circuit is shown using the 8205 as the "state decoder" for an 8008 CPU that not only decodes the S₀, S₁, S₂ outputs but gates these signals with the clock (phase 2) and the SYNC output of the 8008 CPU. The $\overline{T1}$

and $\overline{T2}$ decoded strobes can connect directly to devices like 8212s for latching the address information. The other decoded strobes can be used to generate signals to control the system data bus, memory timing functions and interrupt structure. RESET is connected to the enable gate so that strobes are not generated during system reset, eliminating accidental loading.

The power of such a circuit becomes evident when a single decoded strobe is logically broken down. Consider $\overline{T1}$ output, the boolean equation for it would be:

$$\overline{T1} = (\overline{S0} \cdot S1 \cdot \overline{S2}) \cdot (\overline{SYNC} \cdot \text{Phase 2} \cdot \overline{\text{Reset}})$$

A six input NAND gate plus a few inverters would be needed to implement this function. The seven remaining outputs would need a similar circuit to duplicate their function, obviously a substantial savings in components can be achieved when using such a technique.



State Control Coding

S ₀	S ₁	S ₂	STATE
0	1	0	T1
0	1	1	T11
0	0	1	T2
0	0	0	WAIT
1	0	0	T3
1	1	0	STOP
1	1	1	T4
1	0	1	T5

SCHOTTKY BIPOLAR 8205

ABSOLUTE MAXIMUM RATINGS*

Temperature Under Bias:	Ceramic	-65°C to +125°C
	Plastic	-65°C to +75°C
Storage Temperature		-65°C to +160°C
All Output or Supply Voltages		-0.5 to +7 Volts
All Input Voltages		-1.0 to +5.5 Volts
Output Currents		125 mA

*COMMENT

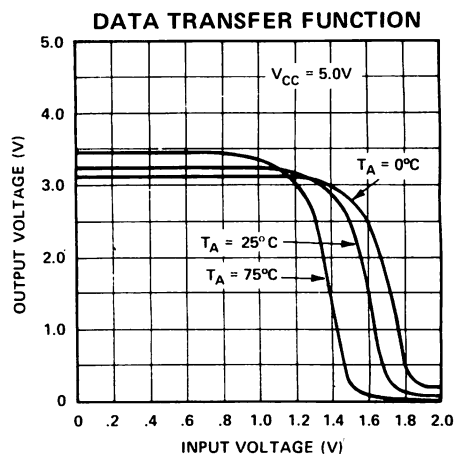
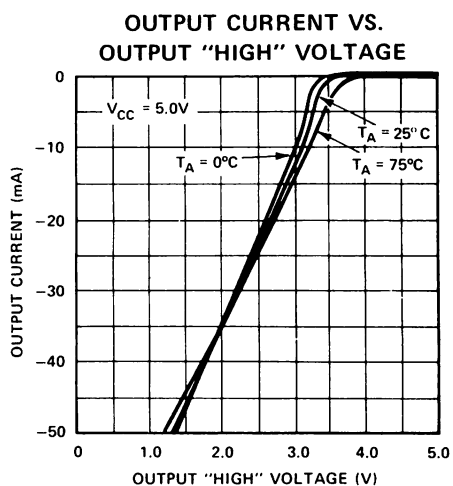
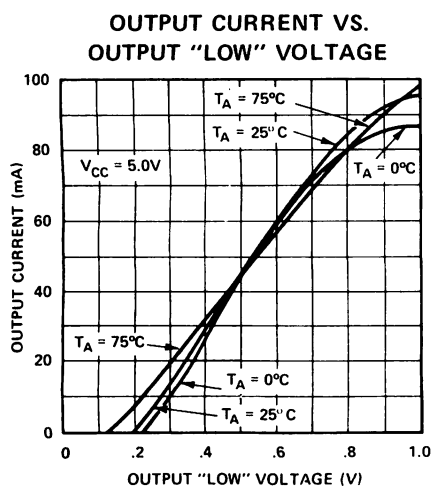
Stresses above those listed under "Absolute Maximum Rating" may cause permanent damage to the device. This is a stress rating only and functional operation of the device at these or at any other condition above those indicated in the operational sections of this specification is not implied. Exposure to absolute maximum rating conditions for extended periods may affect device reliability.

D.C. CHARACTERISTICS $T_A = 0^\circ\text{C}$ to $+75^\circ\text{C}$, $V_{CC} = 5.0\text{V} \pm 5\%$

8205

SYMBOL	PARAMETER	LIMIT		UNIT	TEST CONDITIONS
		MIN.	MAX.		
I_F	INPUT LOAD CURRENT		-0.25	mA	$V_{CC} = 5.25\text{V}$, $V_F = 0.45\text{V}$
I_R	INPUT LEAKAGE CURRENT		10	μA	$V_{CC} = 5.25\text{V}$, $V_R = 5.25\text{V}$
V_C	INPUT FORWARD CLAMP VOLTAGE		-1.0	V	$V_{CC} = 4.75\text{V}$, $I_C = -5.0\text{ mA}$
V_{OL}	OUTPUT "LOW" VOLTAGE		0.45	V	$V_{CC} = 4.75\text{V}$, $I_{OL} = 10.0\text{ mA}$
V_{OH}	OUTPUT HIGH VOLTAGE	2.4		V	$V_{CC} = 4.75\text{V}$, $I_{OH} = -1.5\text{ mA}$
V_{IL}	INPUT "LOW" VOLTAGE		0.85	V	$V_{CC} = 5.0\text{V}$
V_{IH}	INPUT "HIGH" VOLTAGE	2.0		V	$V_{CC} = 5.0\text{V}$
I_{SC}	OUTPUT HIGH SHORT CIRCUIT CURRENT	-40	-120	mA	$V_{CC} = 5.0\text{V}$, $V_{OUT} = 0\text{V}$
V_{OX}	OUTPUT "LOW" VOLTAGE @ HIGH CURRENT		0.8	V	$V_{CC} = 5.0\text{V}$, $I_{OX} = 40\text{ mA}$
I_{CC}	POWER SUPPLY CURRENT		70	mA	$V_{CC} = 5.25\text{V}$

TYPICAL CHARACTERISTICS



SCHOTTKY BIPOLAR 8205

8205 SWITCHING CHARACTERISTICS

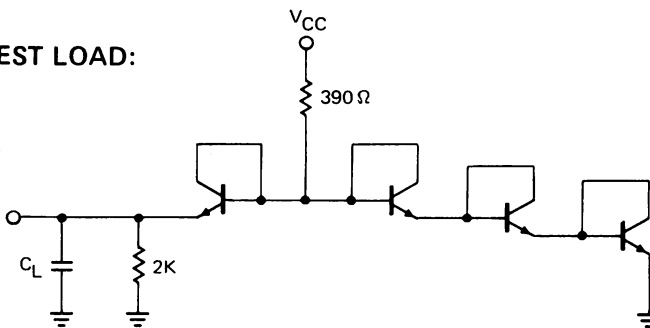
CONDITIONS OF TEST:

Input pulse amplitudes: 2.5V

Input rise and fall times: 5 nsec
between 1V and 2V

Measurements are made at 1.5V

TEST LOAD:

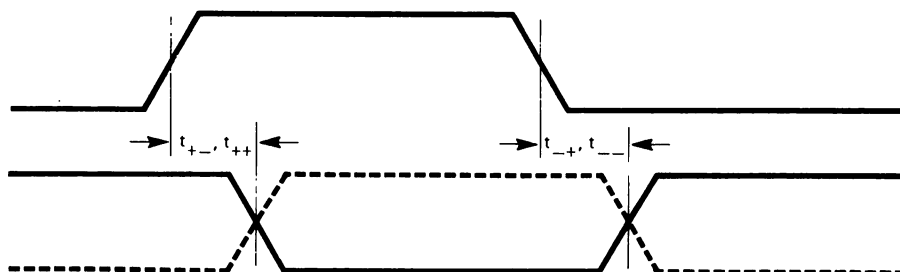


All Transistors 2N2369 or Equivalent. $C_L = 30 \text{ pF}$

TEST WAVEFORMS

ADDRESS OR ENABLE
INPUT PULSE

OUTPUT



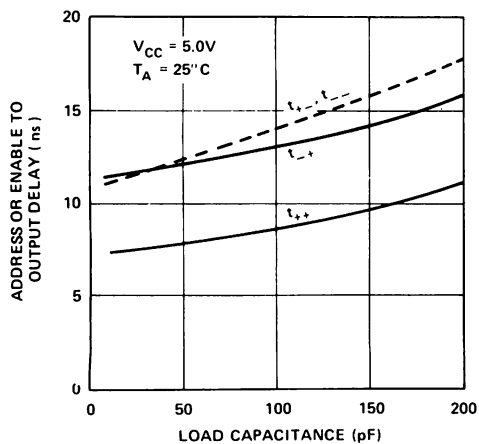
A.C. CHARACTERISTICS $T_A = 0^\circ\text{C}$ to $+75^\circ\text{C}$, $V_{CC} = 5.0\text{V} \pm 5\%$ unless otherwise specified.

SYMBOL	PARAMETER	MAX. LIMIT	UNIT	TEST CONDITIONS
t_{++}	ADDRESS OR ENABLE TO OUTPUT DELAY	18	ns	
t_{-+}		18	ns	
t_{+-}		18	ns	
t_{--}		18	ns	
$C_{IN}^{(1)}$	INPUT CAPACITANCE	P8205 4(typ.)	pF	$f = 1 \text{ MHz}$, $V_{CC} = 0\text{V}$ $V_{BIAS} = 2.0\text{V}$, $T_A = 25^\circ\text{C}$
		C8205 5(typ.)	pF	

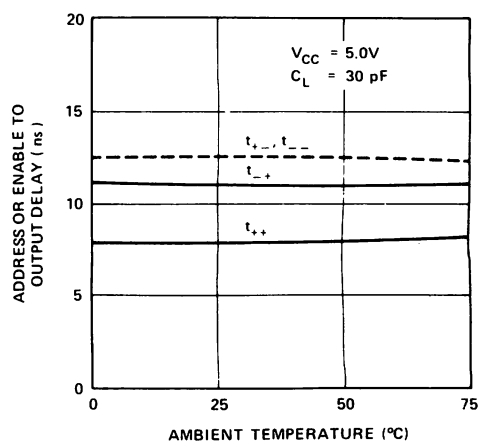
1. This parameter is periodically sampled and is not 100% tested.

TYPICAL CHARACTERISTICS

ADDRESS OR ENABLE TO OUTPUT
DELAY VS. LOAD CAPACITANCE



ADDRESS OR ENABLE TO OUTPUT
DELAY VS. AMBIENT TEMPERATURE





Schottky Bipolar 8214

PRIORITY INTERRUPT CONTROL UNIT

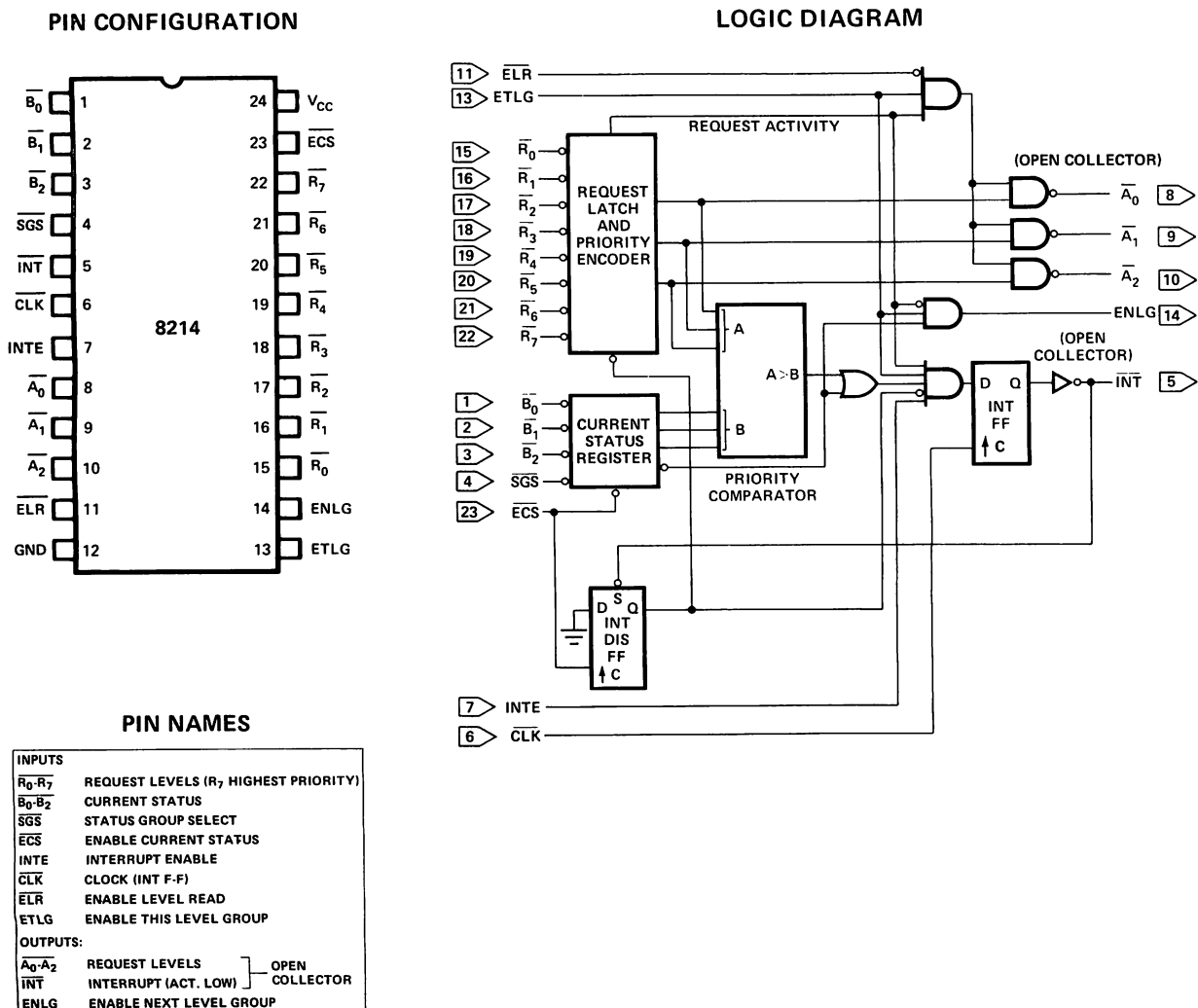
- Eight Priority Levels
- Current Status Register
- Priority Comparator
- Fully Expandable
- High Performance (50ns)
- 24-Pin Dual In-Line Package

The 8214 is an eight level priority interrupt control unit designed to simplify interrupt driven microcomputer systems.

The PICU can accept eight requesting levels; determine the highest priority, compare this priority to a software controlled current status register and issue an interrupt to the system along with vector information to identify the service routine.

The 8214 is fully expandable by the use of open collector interrupt output and vector information. Control signals are also provided to simplify this function.

The PICU is designed to support a wide variety of vectored interrupt structures and reduce package count in interrupt driven microcomputer systems.



INTERRUPTS IN MICROCOMPUTER SYSTEMS

Microcomputer system design requires that I/O devices such as keyboards, displays, sensors and other components receive servicing in an efficient method so that large amounts of the total systems tasks can be assumed by the microcomputer with little or no effect on throughput.

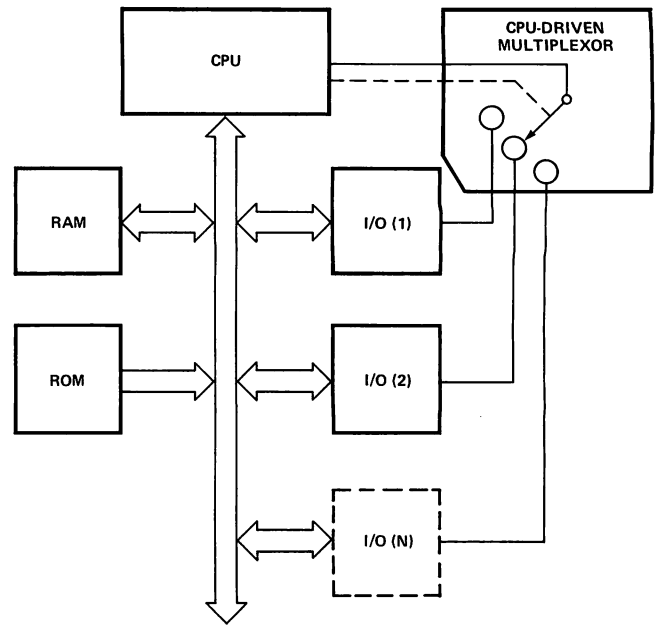
The most common method of servicing such devices is the **Polled** approach. This is where the processor must test each device in sequence and in effect "ask" each one if it needs servicing. It is easy to see that a large portion of the main program is looping through this continuence polling cycle and that such a method would have a serious, detrimental effect on system throughput thus limiting the tasks that could be assumed by the microcomputer and reducing the cost effectiveness of using such devices.

A more desirable method would be one that would allow the microprocessor to be executing its main program and only stop to service peripheral devices when it is told to do so by the device itself. In effect, the method would provide an external asynchronous input that would inform the processor that it should complete whatever instruction that is currently being executed and fetch a new routine that will service the requesting device. Once this servicing is complete however the processor would resume exactly where it left off.

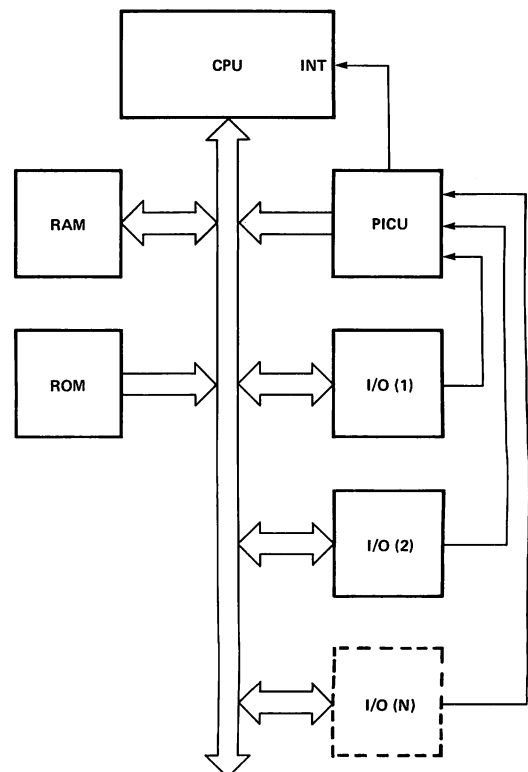
This method is called **Interrupt**. It is easy to see that system throughput would drastically increase, and thus more tasks could be assumed by the microcomputer to further enhance its cost effectiveness.

The Priority Interrupt Control Unit (PICU) functions as an overall manager in an Interrupt-Driven system environment. It accepts requests from the peripheral equipment, determines which of the incoming requests is of the highest importance (priority), ascertains whether the incoming request has a higher priority value than the level currently being serviced and issues an Interrupt to the CPU based on this determination.

Each peripheral device or structure usually has a special program or "routine" that is associated with its specific functional or operational requirements; this is referred to as a "service routine". The PICU, after issuing an Interrupt to the CPU, must somehow input information into the CPU that can "point" the Program Counter to the service routine associated with the requesting device. The PICU encodes the requesting level into such information for use as a "vector" to the correct Interrupt Service Routine.



Polled Method



Interrupt Method

SCHOTTKY BIPOLAR 8214

FUNCTIONAL DESCRIPTION

General

The 8214 is a device specifically designed for use in real time, interrupt driven, microcomputer systems. Basically it is an eight (8) level priority control unit that can accept eight different interrupt requests, determine which has the highest priority, compare that level to a software maintained current status register and issue an interrupt to the system based on this comparison along with vector information to indicate the location of the service routine.

Priority Encoder

The eight requests inputs, which are active low, come into the Priority Encoder. This circuit determines which request input is the most important (highest priority) as preassigned by the designer. (R7) is the highest priority input to the 8214 and (R0) is the lowest. The logic of the Priority Encoder is such that if two or more input levels arrive at the same time then the input having the highest priority will take precedence and a three bit output, corresponding to the active level (modulo 8) will be sent out. The Priority Encoder also contains a latch to store the request input. This latch is controlled by the Interrupt Disable Flip-flop so that once an interrupt has been issued by the 8214 the request latch is no longer open. (Note that the latch does not store inactive requests. In order for a request to be monitored by the 8214 it must remain present until it has been serviced.)

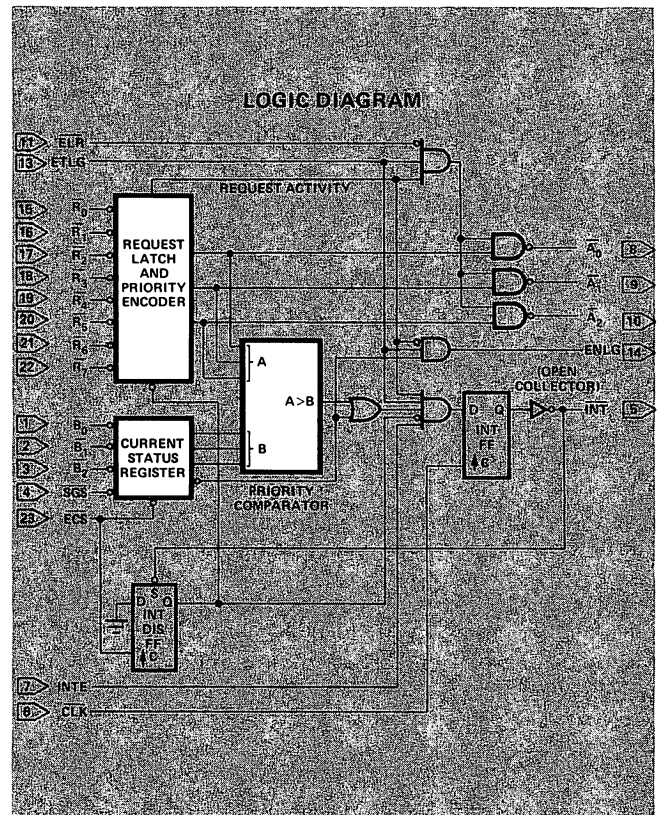
Current Status Register

In an interrupt driven microcomputer system it is important to not only prioritize incoming requests but to ascertain whether such a request is a higher priority than the interrupt currently being serviced.

The Current Status Register is a simple 4-bit latch that is treated as an addressable output port by the microcomputer system. It is loaded when the \overline{ECS} input goes low.

Maintenance of the Current Status Register is performed as a portion of the service routine. Basically, when an interrupt is issued to the system the programmer outputs a binary code (modulo 8) that is the compliment of the interrupt level. This value is stored in the Current Status Register and is compared to all further prioritized incoming requests by the Priority Comparator. In essence, a copy of the current interrupt level is written into the 8214 to be used as a reference for comparison. There is no restriction to this maintenance, other level values can be written into this register as references so that groups of interrupt requests may be disallowed under complete control of the programmer.

Note that the fourth bit in the register is \overline{SGS} . This input is part of the value written out by the programmer and performs a special function. The Priority Comparator will only issue an output that indicates the request level is greater than the Current Status Register. If both comparator inputs are equal to zero no output will be present. The \overline{SGS} input allows the programmer to, in effect, disable this comparison and allow the 8214 to issue an interrupt to the system that is based only on the logic of the priority encoder.



SCHOTTKY BIPOLAR 8214

Control Signals

The 8214 also has several inputs that enable the designer to synchronize the interrupt issued to the microprocessor and to allow or disallow such an issuance. Also, signals are provided that permit simple expansion to other 8214s so that more than eight levels can be controlled.

INTE, $\overline{\text{CLK}}$

The INTE (Interrupt Enable) input allows the designer to "shutoff" the interrupt system under control of external logic or possibly under software maintenance. A "zero" on this line will not allow interrupts to be issued to the microcomputer system.

The $\overline{\text{CLK}}$ (Clock) input is actually the trigger that strobes the Interrupt Flip-Flop. It can be connected to one of the clocks of the microprocessor so that the interrupt issued meets the CPU set-up time specification. Note that due to the gating of the input to the Interrupt Flip-Flop the $\overline{\text{INT}}$ output will only be active for the time of a single clock period, so external latching may be required to hold this signal.

$\overline{\text{ELR}}$, ETLG, ENGL

These three signals allow 8214s to be cascaded so that more than eight levels of interrupt requests can be controlled.

Basically, the ENLG output of one 8214 is connected to the ETLG input of the next and so on, with the first 8214 having its ETLG input pulled "high" and assigned the highest priority. When the ENLG output is "high" it indicates that there is no interrupt pending on that device and that interrupts can be monitored on the next lower priority 8214.

This "cascading" can be expanded almost indefinitely to accommodate even the largest of interrupt driven system architectures.

$\overline{\text{A0}}$, $\overline{\text{A1}}$, $\overline{\text{A2}}$

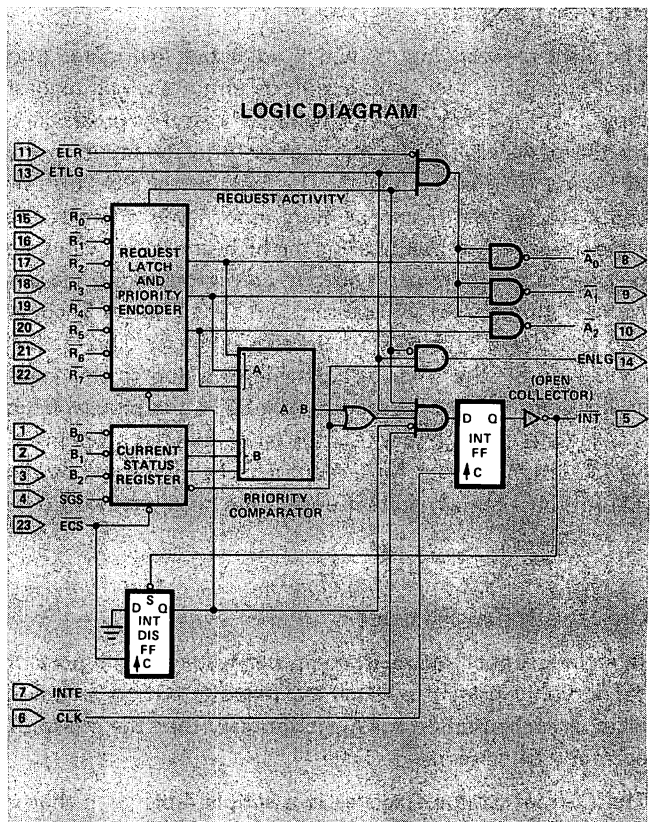
In order to identify which device has interrupted the processor so that the service routine associated with it can be addressed, a pointer or "vector" must accompany the interrupt issued to the microcomputer system.

The $\overline{\text{A0}}$, $\overline{\text{A1}}$ and $\overline{\text{A2}}$ outputs represent the complement of the active interrupt level (modulo 8). By using these signals to encode the special instruction, RST, the program counter of the microprocessor, can point to the location of the service routine. Note that these three outputs are gated by the $\overline{\text{ELR}}$ input and are open collector so that expansion is simplified.

$\overline{\text{INT}}$

The $\overline{\text{INT}}$ output of the 8214 is the signal that is issued to the microprocessor to initiate the interrupt sequence. As soon a $\overline{\text{INT}}$ is active the INT DIS FF is set, inhibiting further requests from entering the Request Latch. Only the writing out of the current status information by strobing the $\overline{\text{ECS}}$ input will clear the INT DIS FF and allow requests to enter the latch.

Note that $\overline{\text{INT}}$ is also open collector so that when cascaded to other 8214s an interrupt in any of the active devices will set all INT DIS FFs in the entire array.



APPLICATIONS OF THE 8214

8 Level Controller (8080)

The most common of applications of the 8214 is that of an eight level priority structure for 8080 or 8008 microcomputer systems.

Shown in the figure below is a detailed logic schematic of a simple circuit that will accept eight input requests, maintain current status, issue the interrupt signal to the 8080 and encode the proper RST instruction to gate onto the data bus.

The eight requests are connected to the 8214 by the designer in whatever order of priority is to be preassigned. For example, eight keyboards could be monitored and each assigned a degree of importance (level of priority) so that faster processor attention or access can be assigned to the critical or time dependent tasks.

The inputs to the Current Status Register are connected to the Data Bus so that data can be written out into this "port".

An 8212 is used to encode the RST instruction and also to act as a 3-state gate to place the proper RST instruction when the 8080 Data Bus is in the input mode. Note that the INT signal from the 8214 is latched in the SR flip-flop of the 8212 so that proper timing is maintained. The 8212 is selected (enabled) when the INTA signal from the 8080 status latch and the DBIN from the 8080 are active, this assures that the RST instruction will be placed on the Data Bus at the proper time. Note that the INT output from the 8212 is inverted and pulled up before it is connected to the 8080. This is to generate an INT signal to the 8080 that has the correct polarity and meets the input voltage requirement (3.3V).

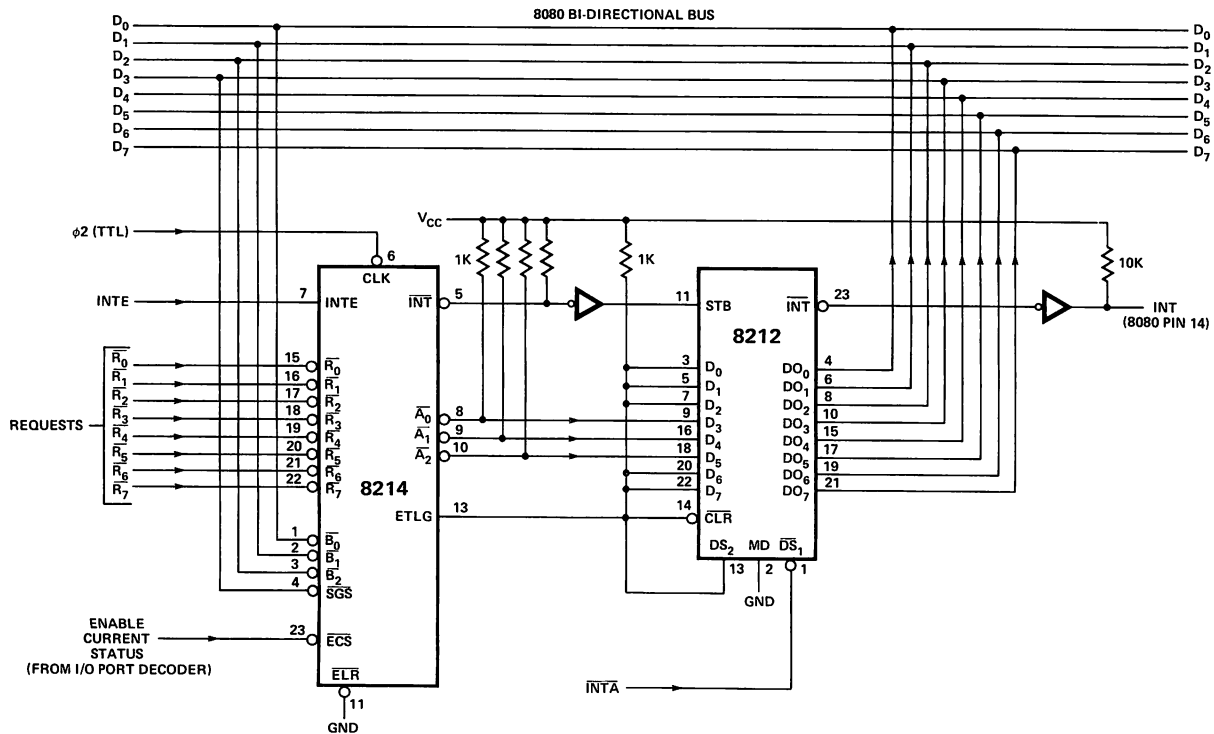
Basic Operation

When the initial interrupt request is presented to the 8214 it will issue an interrupt to the 8080 if the structure is enabled. The 8214 will encode the request into 3 bits (modulo 8) and output them to the 8212. After the acknowledgement of the interrupt has been issued by the 8080 the encoded RST instruction is gated onto the Data Bus by the 8212. The processor executes the instruction and points the program counter to the desired serviced routine. In this routine the programmer will probably save the status of the register array and flags within a series of PUSH instructions (4). Then a copy of the current interrupt level (modulo 8) can be "built" in the Accumulator and output to the Current Status Register of the 8214 for use as a comparison reference for all further incoming requests to the system.

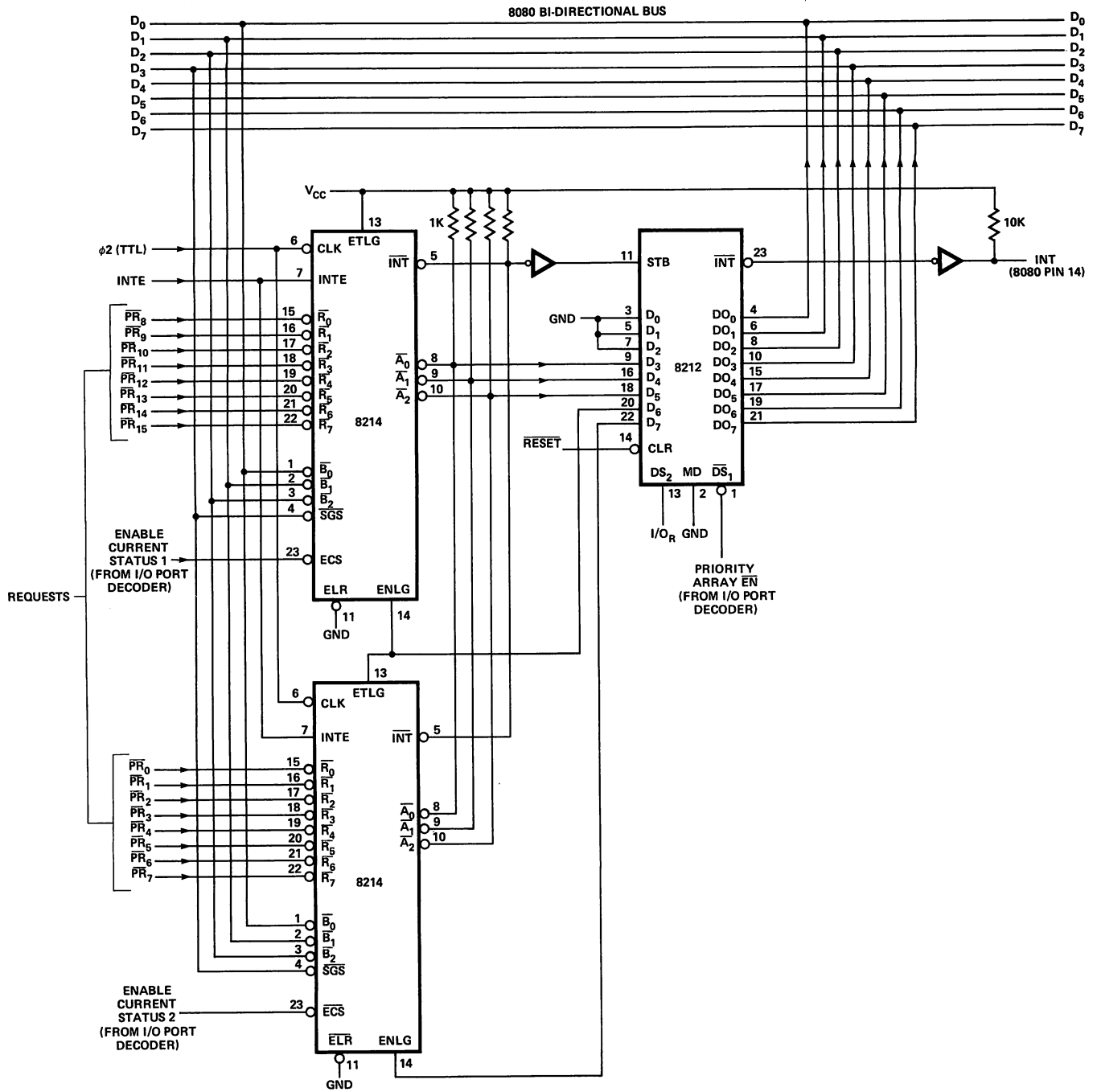
This Vectored Eight Level Priority Interrupt Structure for 8080 microcomputer systems is a powerful yet flexible circuit that is high performance and has a minimal component count.

		D ₇	D ₆	D ₅	D ₄	D ₃	D ₂	D ₁	D ₀
PRIORITY REQUEST	RST	1	1	A ₂	A ₁	A ₀	1	1	1
LOWEST	0	7	1	1	1	1	1	1	1
	1	6	1	1	1	1	0	1	1
	2	5	1	1	1	0	1	1	1
	3	4	1	1	1	0	0	1	1
	4	3	1	1	0	1	1	1	1
	5	2	1	1	0	1	0	1	1
	6	1	1	1	0	0	1	1	1
HIGHEST	7	*0	1	1	0	0	0	1	1

*RST 0 WILL VECTOR PROGRAM COUNTER TO LOCATION 0 (ZERO) AND INVOKE THE SAME ROUTINE AS "RESET" INPUT TO 8080. THIS COULD RE-INITIALIZE THE SYSTEM BASED ON THE ROUTINE INVOKED. (A CAUTION TO SYSTEM PROGRAMMERS.)



SCHOTTKY BIPOLAR 8214



16 Level Controller

SCHOTTKY BIPOLAR 8214

APPLICATIONS OF THE 8214

Cascading the 8214

When greater than eight levels of interrupts must be prioritized and serviced, the 8214 can be cascaded with other 8214s to support such an architecture.

On the previous page a simple circuit is shown that can control 16 levels of interrupt and is easily expandable to support up to 40 levels of interrupt by just cascading more 8214s.

As described previously, there are signals provided in the 8214 for cascading (\overline{ELR} , ETLG, ENLG) and in effect the ENLG output of the first 8214 "ripples" down to the next and so on. The entire array of 8214s regardless of size, can be thought of as a single priority control unit, with the first having the highest priority and the next 8214 having a lower priority and so on.

In this application, the manner in which software handles the servicing of the interrupt will change. Since more than eight vectors must be generated a method other than the common RST instruction must be implemented. Basically, the priority control array must somehow modify the contents of the 8080 Program Counter so that it can point ("vector") to one of 16 (or how many levels are to be serviced) and fetch the proper service routine. A simple approach is to treat the priority control array as a single input port that can input a value into the Accumulator and use this value as an offset to modify the Program Counter (Indirect Jump).

An initial CALL is needed to invoke this Indirect Jump routine so the circuitry is configured to insert an RST 7 (FFh) for all interrupts, thus the Indirect Jump Routine starts at location (56d).

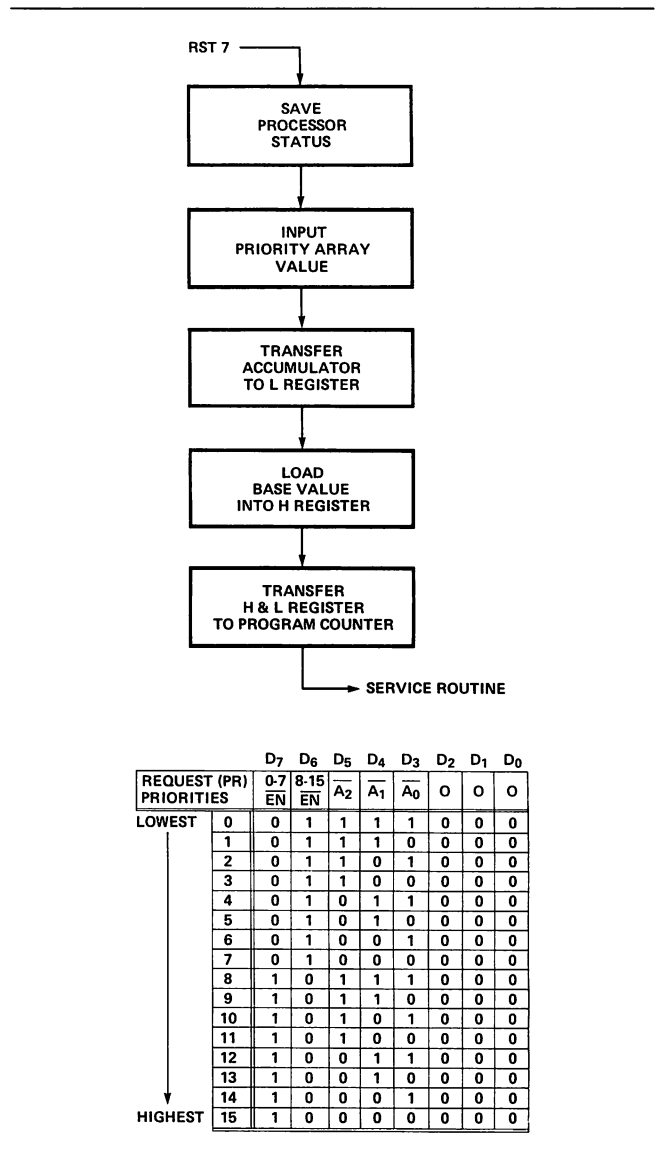
The Assembly Code for the flow chart is as follows:

```

PUSH  PSW  ]
PUSH  B    ] (save processor status)
PUSH  D    ] (22 microseconds)
PUSH  H    ]
IN     (n)  (input Priority Array Value)
MOV    L,A  (transfer Accumulator to L register)
MVI   H,(n) (load Base Address into H register)
PCHL                   (transfer H&L to Program Counter)
    
```

(The execution time for the total routine is 35.5 microseconds based on an 8080 clock period of 500ns.)

Following is a basic flowchart of the priority array Indirect Jump routine. Note that the last step in the routine will vector the processor to fetch the proper service routine as dictated by the interrupting level.



Shown in the figure above is a chart of the 16 different array values that are used to offset the Program Counter and vector to the proper service routine. These values are the ones that are loaded into the "L" register; the value loaded into the "H" register with an "immediate instruction" is used to identify the major area of memory where the service routines are stored, similar to a "course setting" and the value in the "L" register is used to identify a specific location, similar to a "fine setting".

Note that D0, D1, and D2 are always set to "zero", this provides the programmer eight (8) memory locations between the start of each service routine so that maintenance of the associated Current Status Register and a JUMP or CALL instruction can be implemented.

This method of interrupt control can be almost indefinitely expanded and provides the system designer with a powerful tool to enhance total system throughput.

SCHOTTKY BIPOLAR 8214

D.C. AND OPERATING CHARACTERISTICS

ABSOLUTE MAXIMUM RATINGS*

Temperature Under Bias	0°C to 70°C
Storage Temperature	-65°C to +150°C
All Output and Supply Voltages	-0.5V to +7V
All Input Voltages	-1.0V to +5.5V
Output Currents	100 mA

*COMMENT: Stresses above those listed under "Absolute Maximum Rating" may cause permanent damage to the device. This is a stress rating only and functional operation of the device at these or at any other condition above those indicated in the operational sections of this specifications is not implied. Exposure to absolute maximum ratings for extended periods may affect device reliability.

$T_A = 0^\circ\text{C}$ to $+70^\circ\text{C}$, $V_{CC} = 5\text{V} \pm 5\%$.

Symbol	Parameter	Limits			Unit	Conditions
		Min.	Typ. ^[1]	Max.		
V_C	Input Clamp Voltage (all inputs)			-1.0	V	$I_C = -5\text{mA}$
I_F	Input Forward Current: ETLG input all other inputs		-.15	-0.5	mA	$V_F = 0.45\text{V}$
			-.08	-0.25	mA	
I_R	Input Reverse Current: ETLG input all other inputs			80	μA	$V_R = 5.25\text{V}$
				40	μA	
V_{IL}	Input LOW Voltage: all inputs			0.8	V	$V_{CC} = 5.0\text{V}$
V_{IH}	Input HIGH Voltage: all inputs	2.0			V	$V_{CC} = 5.0\text{V}$
I_{CC}	Power Supply Current		90	130	mA	See Note 2.
V_{OL}	Output LOW Voltage: all outputs		.3	.45	V	$I_{OL} = 15\text{mA}$
V_{OH}	Output HIGH Voltage: ENLG output	2.4	3.0		V	$I_{OH} = -1\text{mA}$
I_{OS}	Short Circuit Output Current: ENLG output	-20	-35	-55	mA	$V_{OS} = 0\text{V}$, $V_{CC} = 5.0\text{V}$
I_{CEX}	Output Leakage Current: \overline{INT} and $\overline{A_0-A_2}$			100	μA	$V_{CEX} = 5.25\text{V}$

NOTES:

1. Typical values are for $T_A = 25^\circ\text{C}$, $V_{CC} = 5.0\text{V}$.
2. B_0-B_2 , \overline{SGS} , CLK, $\overline{R_0-R_4}$ grounded, all other inputs and all outputs open.

SCHOTTKY BIPOLAR 8214

A.C. CHARACTERISTICS AND WAVEFORMS $T_A = 0^\circ\text{C}$ to $+70^\circ\text{C}$, $V_{CC} = +5\text{V} \pm 5\%$

Symbol	Parameter	Limits			Unit
		Min.	Typ. ^[1]	Max.	
t_{CY}	$\overline{\text{CLK}}$ Cycle Time	80	50		ns
t_{PW}	$\overline{\text{CLK}}$, $\overline{\text{ECS}}$, $\overline{\text{INT}}$ Pulse Width	25	15		ns
t_{ISS}	INTE Setup Time to $\overline{\text{CLK}}$	16	12		ns
t_{ISH}	INTE Hold Time after $\overline{\text{CLK}}$	20	10		ns
$t_{ETCS}^{[2]}$	ETLG Setup Time to $\overline{\text{CLK}}$	25	12		ns
$t_{ETCH}^{[2]}$	ETLG Hold Time After $\overline{\text{CLK}}$	20	10		ns
$t_{ECCS}^{[2]}$	$\overline{\text{ECS}}$ Setup Time to $\overline{\text{CLK}}$	80	50		ns
$t_{ECCH}^{[3]}$	$\overline{\text{ECS}}$ Hold Time After $\overline{\text{CLK}}$	0			ns
$t_{ECRS}^{[3]}$	$\overline{\text{ECS}}$ Setup Time to $\overline{\text{CLK}}$	110	70		ns
$t_{ECRH}^{[3]}$	$\overline{\text{ECS}}$ Hold Time After $\overline{\text{CLK}}$	0			
$t_{ECSS}^{[2]}$	$\overline{\text{ECS}}$ Setup Time to $\overline{\text{CLK}}$	75	70		ns
$t_{ECSH}^{[2]}$	$\overline{\text{ECS}}$ Hold Time After $\overline{\text{CLK}}$	0			ns
$t_{DCS}^{[2]}$	$\overline{\text{SGS}}$ and $\overline{\text{B}_0-\text{B}_2}$ Setup Time to $\overline{\text{CLK}}$	70	50		ns
$t_{DCH}^{[2]}$	$\overline{\text{SGS}}$ and $\overline{\text{B}_0-\text{B}_2}$ Hold Time After $\overline{\text{CLK}}$	0			ns
$t_{RCS}^{[3]}$	$\overline{\text{R}_0-\text{R}_7}$ Setup Time to $\overline{\text{CLK}}$	90	55		ns
$t_{RCH}^{[3]}$	$\overline{\text{R}_0-\text{R}_7}$ Hold Time After $\overline{\text{CLK}}$	0			ns
t_{ICS}	$\overline{\text{INT}}$ Setup Time to $\overline{\text{CLK}}$	55	35		ns
t_{CI}	$\overline{\text{CLK}}$ to $\overline{\text{INT}}$ Propagation Delay		15	25	ns
$t_{RIS}^{[4]}$	$\overline{\text{R}_0-\text{R}_7}$ Setup Time to $\overline{\text{INT}}$	10	0		ns
$t_{RIH}^{[4]}$	$\overline{\text{R}_0-\text{R}_7}$ Hold Time After $\overline{\text{INT}}$	35	20		ns
t_{RA}	$\overline{\text{R}_0-\text{R}_7}$ to $\overline{\text{A}_0-\text{A}_2}$ Propagation Delay		80	100	ns
t_{ELA}	$\overline{\text{ELR}}$ to $\overline{\text{A}_0-\text{A}_2}$ Propagation Delay		40	55	ns
t_{ECA}	$\overline{\text{ECS}}$ to $\overline{\text{A}_0-\text{A}_2}$ Propagation Delay		100	120	ns
t_{ETA}	ETLG to $\overline{\text{A}_0-\text{A}_2}$ Propagation Delay		35	70	ns
$t_{DECS}^{[4]}$	$\overline{\text{SGS}}$ and $\overline{\text{B}_0-\text{B}_2}$ Setup Time to $\overline{\text{ECS}}$	15	10		ns
$t_{DECH}^{[4]}$	$\overline{\text{SGS}}$ and $\overline{\text{B}_0-\text{B}_2}$ Hold Time After $\overline{\text{ECS}}$	15	10		ns
t_{REN}	$\overline{\text{R}_0-\text{R}_7}$ to ENLG Propagation Delay		45	70	ns
t_{ETEN}	ETLG to ENLG Propagation Delay		20	25	ns
t_{ECRN}	$\overline{\text{ECS}}$ to ENLG Propagation Delay		85	90	ns
t_{ECSN}	$\overline{\text{ECS}}$ to ENLG Propagation Delay		35	55	ns

CAPACITANCE [5]

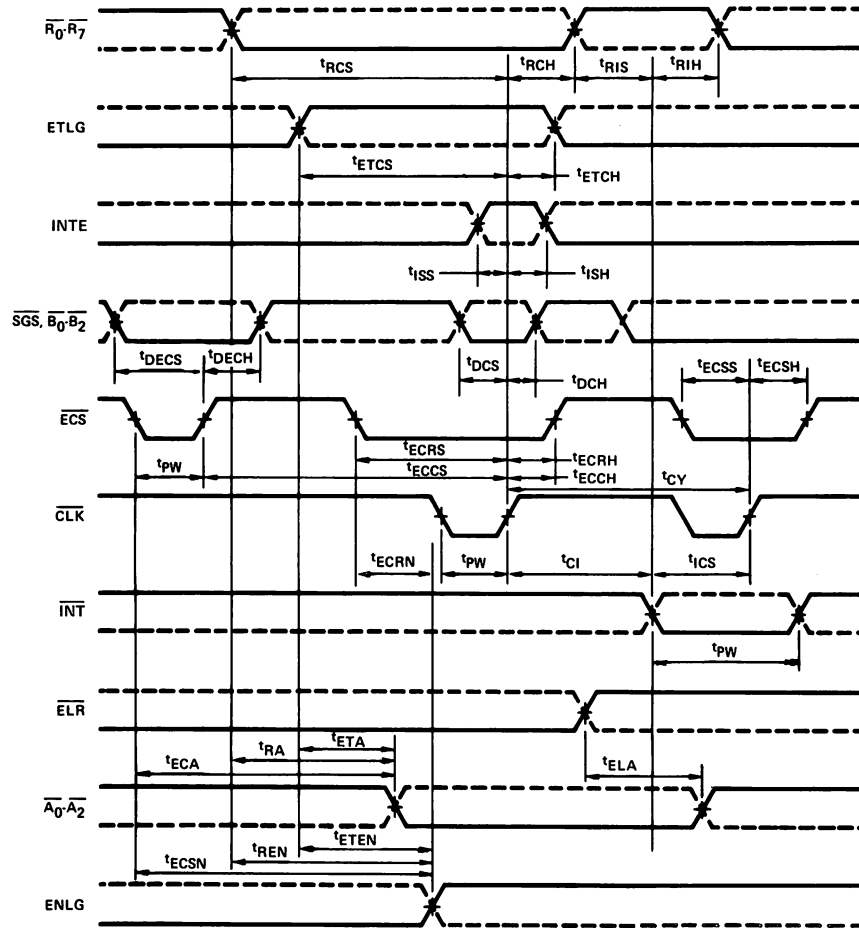
Symbol	Parameter	Limits			Unit
		Min.	Typ. ^[1]	Max	
C_{IN}	Input Capacitance		5	10	pF
C_{OUT}	Output Capacitance		7	12	pF

TEST CONDITIONS: $V_{BIAS} = 2.5\text{V}$, $V_{CC} = 5\text{V}$, $T_A = 25^\circ\text{C}$, $f = 1\text{MHz}$

NOTE 5. This parameter is periodically sampled and not 100% tested.

SCHOTTKY BIPOLAR 8214

WAVEFORMS



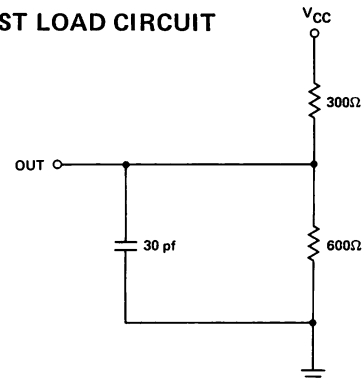
NOTES:

- (1) Typical values are for $T_A = 25^\circ\text{C}$, $V_{CC} = 5.0\text{V}$.
- (2) Required for proper operation if ISE is enabled during next clock pulse.
- (3) These times are not required for proper operation but for desired change in interrupt flip-flop.
- (4) Required for new request or status to be properly loaded.

TEST CONDITIONS:

- Input pulse amplitude: 2.5 volts.
- Input rise and fall times: 5 ns between 1 and 2 volts.
- Output loading of 15 mA and 30 pf.
- Speed measurements taken at the 1.5V levels.

TEST LOAD CIRCUIT





Schottky Bipolar 8216/8226

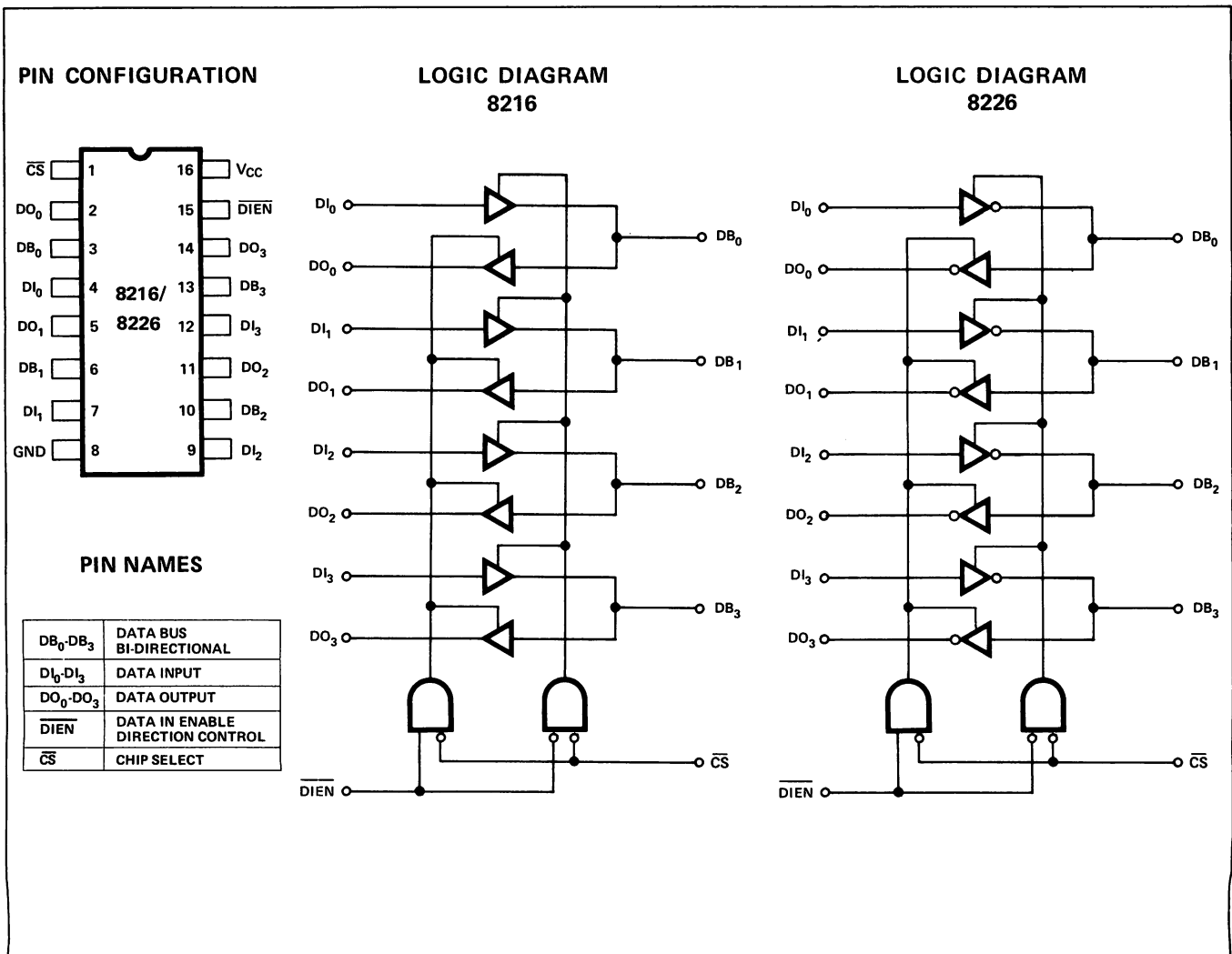
4 BIT PARALLEL BIDIRECTIONAL BUS DRIVER

- Data Bus Buffer Driver for 8080 CPU
- Low Input Load Current — .25 mA Maximum
- High Output Drive Capability for Driving System Data Bus
- 3.65V Output High Voltage for Direct Interface to 8080 CPU
- Three State Outputs
- Reduces System Package Count

The 8216/8226 is a 4-bit bi-directional bus driver/receiver.

All inputs are low power TTL compatible. For driving MOS, the DO outputs provide a high 3.65V V_{OH} , and for high capacitance terminated bus structures, the DB outputs provide a high 50mA I_{OL} capability.

A non-inverting (8216) and an inverting (8226) are available to meet a wide variety of applications for buffering in micro-computer systems.



SCHOTTKY BIPOLAR 8216/8226

FUNCTIONAL DESCRIPTION

Microprocessors like the 8080 are MOS devices and are generally capable of driving a single TTL load. The same is true for MOS memory devices. While this type of drive is sufficient in small systems with few components, quite often it is necessary to buffer the microprocessor and memories when adding components or expanding to a multi-board system.

The 8216/8226 is a four bit bi-directional bus driver specifically designed to buffer microcomputer system components.

Bi-Directional Driver

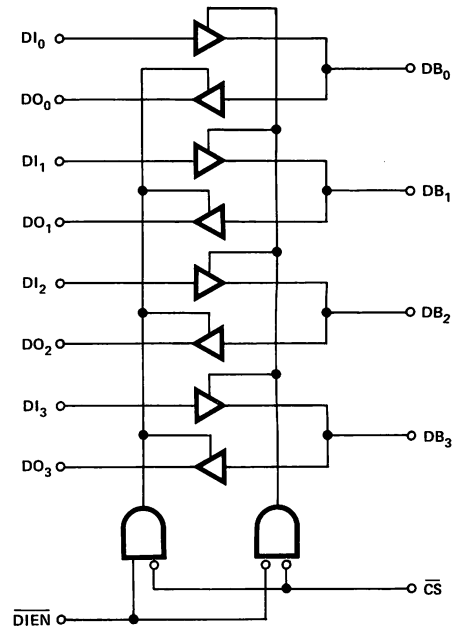
Each buffered line of the four bit driver consists of two separate buffers that are tri-state in nature to achieve direct bus interface and bi-directional capability. On one side of the driver the output of one buffer and the input of another are tied together (DB), this side is used to interface to the system side components such as memories, I/O, etc., because its interface is direct TTL compatible and it has high drive (50mA). On the other side of the driver the inputs and outputs are separated to provide maximum flexibility. Of course, they can be tied together so that the driver can be used to buffer a true bi-directional bus such as the 8080 Data Bus. The DO outputs on this side of the driver have a special high voltage output drive capability (3.65V) so that direct interface to the 8080 and 8008 CPUs is achieved with an adequate amount of noise immunity (350mV worst case).

Control Gating \overline{DIEN} , \overline{CS}

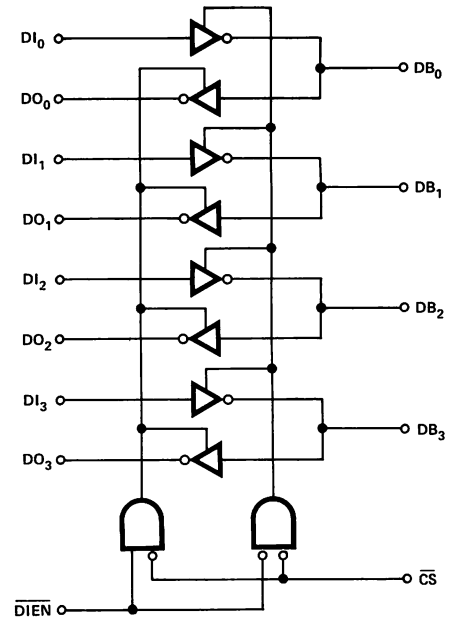
The \overline{CS} input is actually a device select. When it is "high" the output drivers are all forced to their high-impedance state. When it is at "zero" the device is selected (enabled) and the direction of the data flow is determined by the \overline{DIEN} input.

The \overline{DIEN} input controls the direction of data flow (see Figure 1) for complete truth table. This direction control is accomplished by forcing one of the pair of buffers into its high impedance state and allowing the other to transmit its data. A simple two gate circuit is used for this function.

The 8216/8226 is a device that will reduce component count in microcomputer systems and at the same time enhance noise immunity to assure reliable, high performance operation.



(a) 8216



(b) 8226

\overline{DIEN}	\overline{CS}	
0	0	DI \rightarrow DB
1	0	DB \rightarrow DO
0	1	} HIGH IMPEDANCE
1	1	

Figure 1. 8216/8226 Logic Diagrams

SCHOTTKY BIPOLAR 8216/8226

APPLICATIONS OF 8216/8226

8080 Data Bus Buffer

The 8080 CPU Data Bus is capable of driving a single TTL load and is more than adequate for small, single board systems. When expanding such a system to more than one board to increase I/O or Memory size, it is necessary to provide a buffer. The 8216/8226 is a device that is exactly fitted to this application.

Shown in Figure 2 are a pair of 8216/8226 connected directly to the 8080 Data Bus and associated control signals. The buffer is bi-directional in nature and serves to isolate the CPU data bus.

On the system side, the DB lines interface with standard semiconductor I/O and Memory components and are completely TTL compatible. The DB lines also provide a high drive capability (50mA) so that an extremely large system can be driven along with possible bus termination networks.

On the 8080 side the DI and DO lines are tied together and are directly connected to the 8080 Data Bus for bi-directional operation. The DO outputs of the 8216/8226 have a high voltage output capability of 3.65 volts which allows direct connection to the 8080 whose minimum input voltage is 3.3 volts. It also gives a very adequate noise margin of 350mV (worst case).

The \overline{DIEN} inputs to 8216/8226 is connected directly to the 8080. \overline{DIEN} is tied to DBIN so that proper bus flow is maintained, and \overline{CS} is tied to \overline{BUSEN} so that the system side Data Bus will be 3-stated when a Hold request has been acknowledged during a DMA activity.

Memory and I/O Interface to a Bi-directional Bus

In large microcomputer systems it is often necessary to provide Memory and I/O with their own buffers and at the same time maintain a direct, common interface to a bi-directional Data Bus. The 8216/8226 has separated data in and data out lines on one side and a common bi-directional set on the other to accommodate such a function.

Shown in Figure 3 is an example of how the 8216/8226 is used in this type of application.

The interface to Memory is simple and direct. The memories used are typically Intel[®] 8102, 8102A, 8101 or 8107B-4 and have separate data inputs and outputs. The DI and DO lines of the 8216/8226 tie to them directly and under control of the \overline{MEMR} signal, which is connected to the \overline{DIEN} input, an interface to the bi-directional Data Bus is maintained.

The interface to I/O is similar to Memory. The I/O devices used are typically Intel[®] 8255s, and can be used for both input and output ports. The $\overline{I/O R}$ signal is connected directly to the \overline{DIEN} input so that proper data flow from the I/O device to the Data Bus is maintained.

The 8216/8226 can be used in a wide variety of other buffering functions in microcomputer systems such as Address Bus Drivers, Drivers to peripheral devices such as printers, and as Drivers for long length cables to other peripherals or systems.

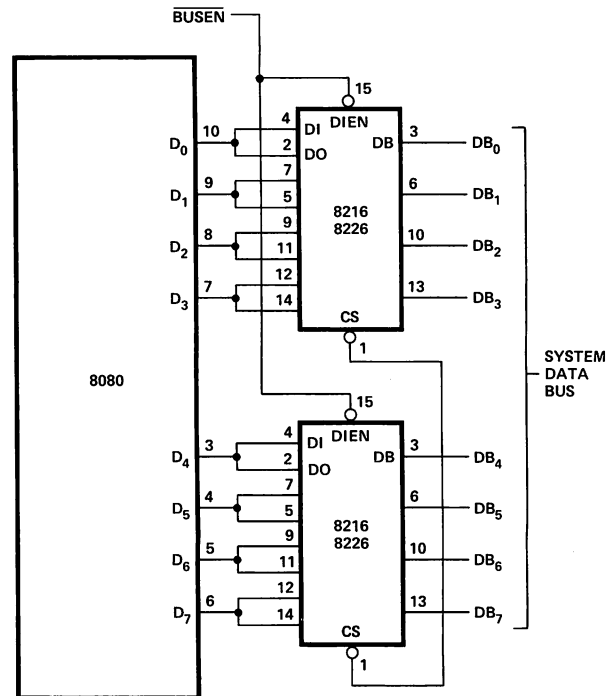


Figure 2. 8080 Data Bus Buffer.

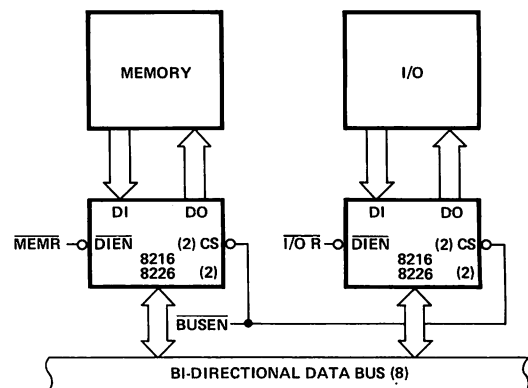


Figure 3. Memory and I/O Interface to a Bi-Directional Bus.

SCHOTTKY BIPOLAR 8216/8226

D.C. AND OPERATING CHARACTERISTICS

ABSOLUTE MAXIMUM RATINGS*

Temperature Under Bias	0°C to 70°C
Storage Temperature	-65°C to +150°C
All Output and Supply Voltages	-0.5V to +7V
All Input Voltages	-1.0V to +5.5V
Output Currents	125 mA

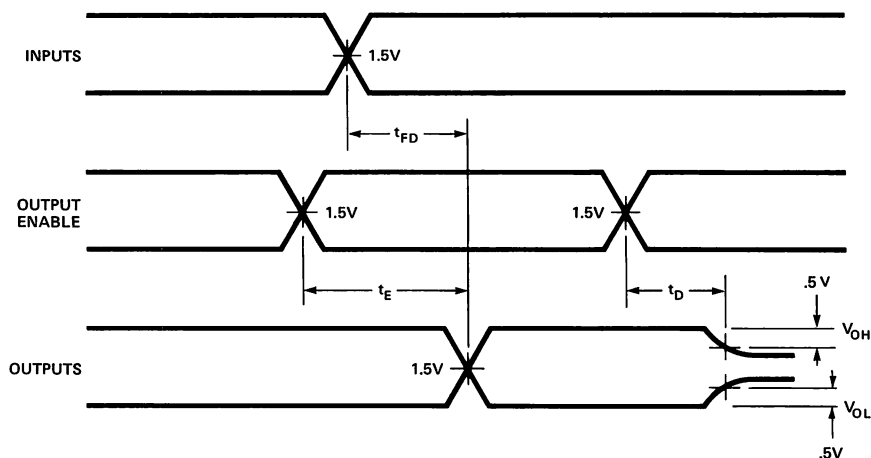
*COMMENT: Stresses above those listed under "Absolute Maximum Rating" may cause permanent damage to the device. This is a stress rating only and functional operation of the device at these or at any other condition above those indicated in the operational sections of this specification is not implied.

$T_A = 0^\circ\text{C to } +70^\circ\text{C}, V_{CC} = +5\text{V} \pm 5\%$

Symbol	Parameter	Limits			Unit	Conditions
		Min.	Typ.	Max.		
I_{F1}	Input Load Current $\overline{DIEN}, \overline{CS}$		-0.15	-.5	mA	$V_F = 0.45$
I_{F2}	Input Load Current All Other Inputs		-0.08	-.25	mA	$V_F = 0.45$
I_{R1}	Input Leakage Current $\overline{DIEN}, \overline{CS}$			20	μA	$V_R = 5.25\text{V}$
I_{R2}	Input Leakage Current DI Inputs			10	μA	$V_R = 5.25\text{V}$
V_C	Input Forward Voltage Clamp			-1	V	$I_C = -5\text{mA}$
V_{IL}	Input "Low" Voltage			.95	V	
V_{IH}	Input "High" Voltage	2.0			V	
I_{O1}	Output Leakage Current (3-State) DO DB			20 100	μA	$V_O = 0.45\text{V}/5.25\text{V}$
I_{CC}	Power Supply Current	8216	95	130	mA	
		8226	85	120	mA	
V_{OL1}	Output "Low" Voltage		0.3	.45	V	DO Outputs $I_{OL} = 15\text{mA}$ DB Outputs $I_{OL} = 25\text{mA}$
V_{OL2}	Output "Low" Voltage	8216	0.5	.6	V	DB Outputs $I_{OL} = 55\text{mA}$
		8226	0.5	.6	V	DB Outputs $I_{OL} = 50\text{mA}$
V_{OH1}	Output "High" Voltage	3.65	4.0		V	DO Outputs $I_{OH} = -1\text{mA}$
V_{OH2}	Output "High" Voltage	2.4	3.0		V	DB Outputs $I_{OH} = -10\text{mA}$
I_{OS}	Output Short Circuit Current		-15	-35	mA	DO Outputs $V_O \cong 0\text{V}$,
			-30	-75	mA	DB Outputs $V_{CC} = 5.0\text{V}$

NOTE: Typical values are for $T_A = 25^\circ\text{C}, V_{CC} = 5.0\text{V}$.

WAVEFORMS



A.C. CHARACTERISTICS

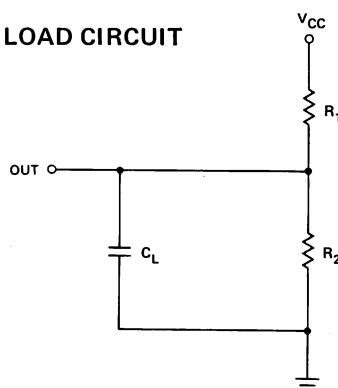
$T_A = 0^\circ\text{C}$ to $+70^\circ\text{C}$, $V_{CC} = +5\text{V} \pm 5\%$

Symbol	Parameter	Limits			Unit	Conditions
		Min.	Typ.[1]	Max.		
T_{PD1}	Input to Output Delay DO Outputs		15	25	ns	$C_L = 30\text{pF}$, $R_1 = 300\Omega$ $R_2 = 600\Omega$
T_{PD2}	Input to Output Delay DB Outputs		20	30	ns	$C_L = 300\text{pF}$, $R_1 = 90\Omega$
			16	25	ns	$R_2 = 180\Omega$
T_E	Output Enable Time		45	65	ns	(Note 2)
			35	54	ns	(Note 3)
T_D	Output Disable Time		20	35	ns	(Note 4)

TEST CONDITIONS:

Input pulse amplitude of 2.5V.
Input rise and fall times of 5 ns between 1 and 2 volts.
Output loading is 5 mA and 10 pF.
Speed measurements are made at 1.5 volt levels.

TEST LOAD CIRCUIT



Capacitance^[5]

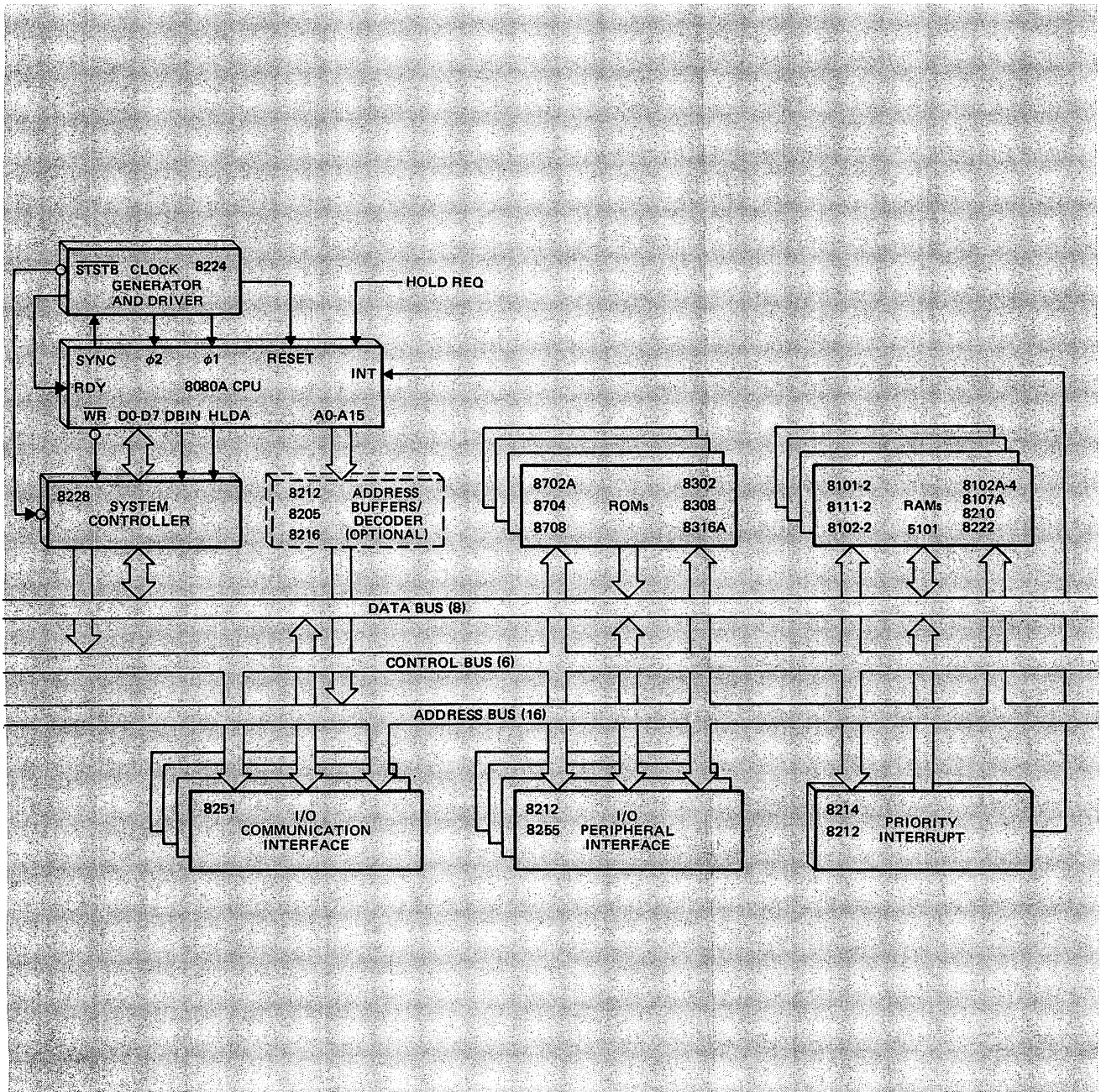
Symbol	Parameter	Limits			Unit
		Min.	Typ.[1]	Max.	
C_{IN}	Input Capacitance		4	8	pF
C_{OUT1}	Output Capacitance		6	10	pF
C_{OUT2}	Output Capacitance		13	18	pF

TEST CONDITIONS: $V_{BIAS} = 2.5\text{V}$, $V_{CC} = 5.0\text{V}$, $T_A = 25^\circ\text{C}$, $f = 1\text{ MHz}$.

- NOTES:
- Typical values are for $T_A = 25^\circ\text{C}$, $V_{CC} = 5.0\text{V}$.
 - DO Outputs, $C_L = 30\text{pF}$, $R_1 = 300/10\text{ K}\Omega$, $R_2 = 180/1\text{ K}\Omega$; DB Outputs, $C_L = 300\text{pF}$, $R_1 = 90/10\text{ K}\Omega$, $R_2 = 180/1\text{ K}\Omega$.
 - DO Outputs, $C_L = 30\text{pF}$, $R_1 = 300/10\text{ K}\Omega$, $R_2 = 600/1\text{ K}\Omega$; DB Outputs, $C_L = 300\text{pF}$, $R_1 = 90/10\text{ K}\Omega$, $R_2 = 180/1\text{ K}\Omega$.
 - DO Outputs, $C_L = 5\text{pF}$, $R_1 = 300/10\text{ K}\Omega$, $R_2 = 600/1\text{ K}\Omega$; DB Outputs, $C_L = 5\text{pF}$, $R_1 = 90/10\text{ K}\Omega$, $R_2 = 180/1\text{ K}\Omega$.
 - This parameter is periodically sampled and not 100% tested.

Coming Soon

8253
8257
8259



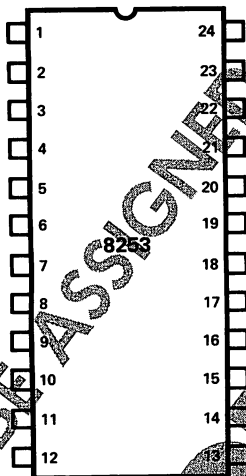
PROGRAMMABLE INTERVAL TIMER

- 3 Independent 16-Bit Counters
- DC to 3 MHz
- Programmable Counter Modes
- Count Binary or BCD
- Single +5V Supply
- 24 Pin Dual-in-line Package

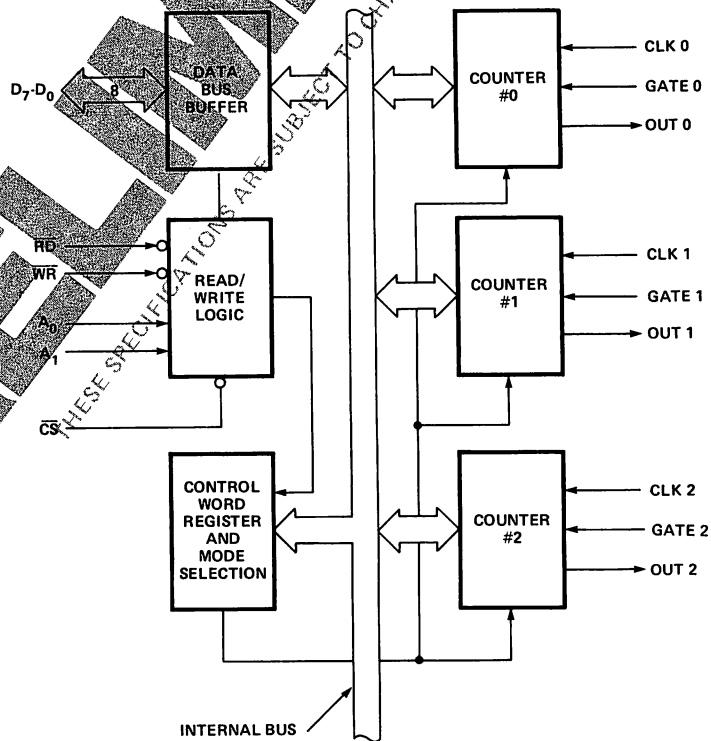
The 8253 is a programmable counter/timer chip designed for use as an 8080 (or 8008) peripheral. It uses nMOS technology with a single +5V supply and is packaged in a 24-pin plastic DIP.

It is organized as three independent 16-bit counters, each with a count rate from 0Hz to 3MHz. All modes of operation are software programmable by the 8080.

PIN CONFIGURATION



BLOCK DIAGRAM



SILICON GATE MOS 8253

8253 PRELIMINARY FUNCTIONAL DESCRIPTION

In Microcomputer-based systems the most common interface is to a mechanical device such as a printer head or stepper motor. All such devices have inherent delays that must be accounted for if accurate and reliable performance is to be achieved. The systems software allows for such delays by programmed timing loops. This type of programming requires significant overhead and maintenance of multiple loops gets extremely complicated.

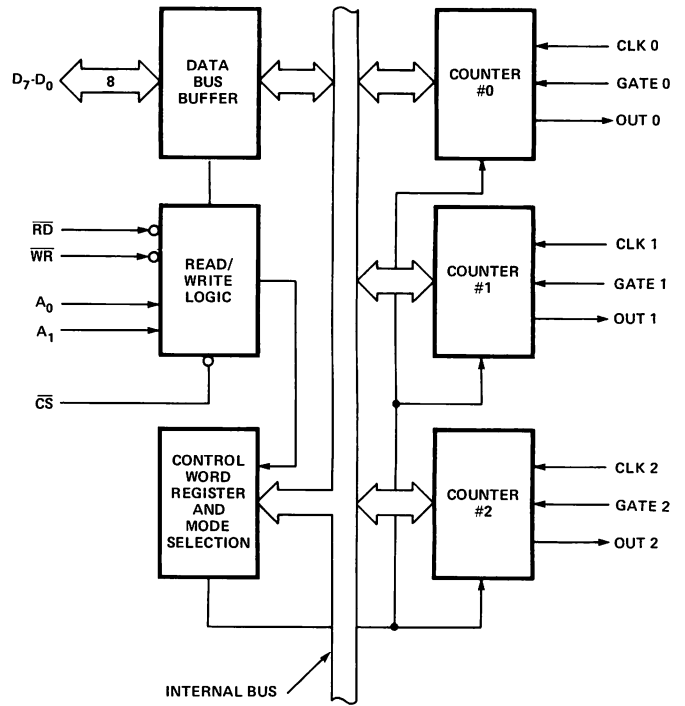
The 8253 Programmable Interval Timer is a single chip solution to system timing problems. In essence, it is a group of three 16-bit counters that are independent in nature but driven commonly as I/O peripheral ports. Instead of setting up timing loops in the system software, the programmer configures the 8253 to match his requirements. The programmer initializes one of the three counters of the 8253 with the quantity and mode desired then, upon command, the 8253 will count out the delay and interrupt the microcomputer when it has finished its task. It is easy to see that the software overhead is minimal and that multiple delays can be easily maintained by assigned interrupt levels to different counters. Other functions that are non-delay in nature and require counters can also be implemented with the 8253.

- Programmable Baud Rate Generator
- Event Counter
- Binary Rate Multiplier
- Real Time Clock

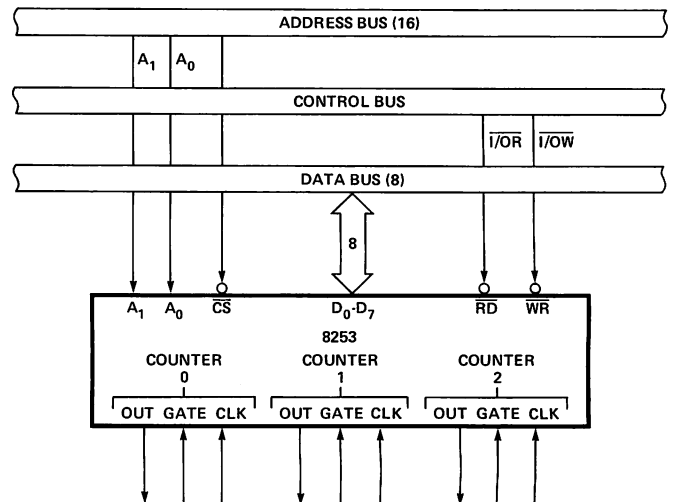
System Interface

The 8253 is a component of the MCS-80 system and interfaces in the same manner as all other peripherals of the family. It is treated by the systems software as an array of I/O ports; three are counters and the fourth is a control register for programming. The OUT lines of each counter would normally be tied to the interrupt request inputs of the 8259.

The 8253 represents a significant improvement for solving one of the most common problems in system design and reducing software overhead.



8253 Block Diagram.



8253 System Interface.

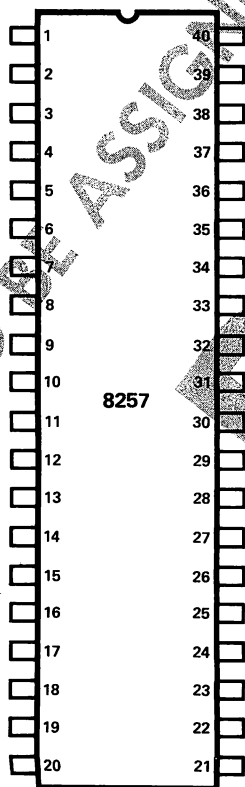
PROGRAMMABLE DMA CONTROLLER

- Four Channel DMA Controller
 - Priority DMA Request Logic
 - Channel Inhibit Logic
 - Terminal and Modulo 256/128 Outputs
- Auto Load Mode
 - Single TTL Clock (ϕ 2/TTL)
 - Single +5V Supply
 - Expandable
 - 40 Pin Dual-in-Line Package

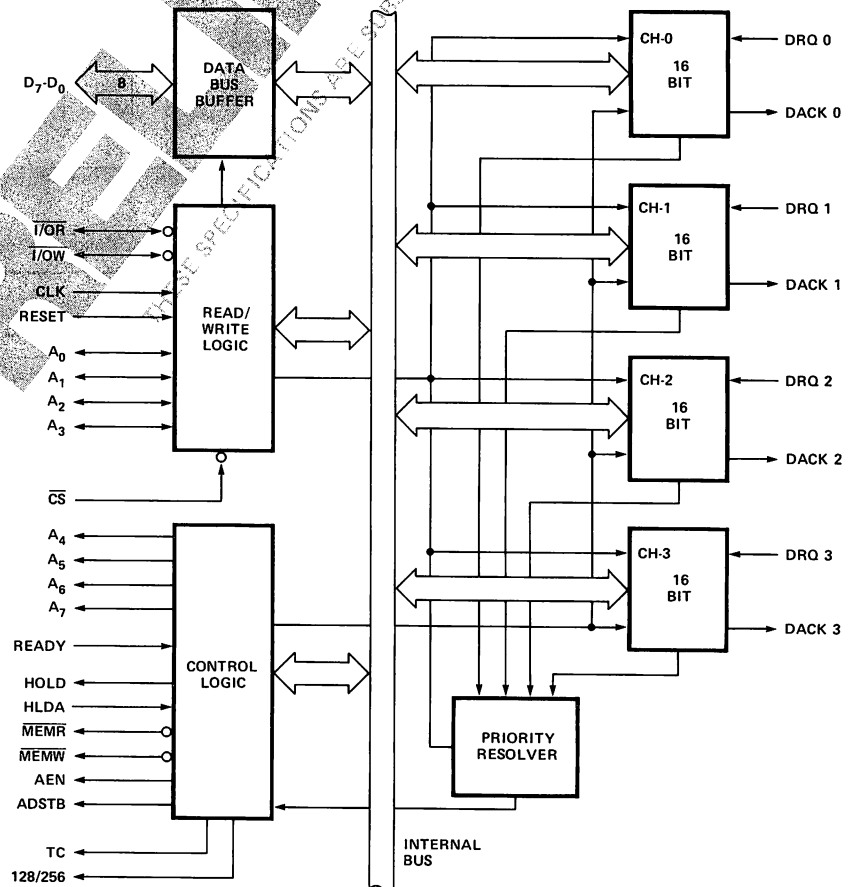
The 8257 is a Direct Memory Access (DMA) Chip which has four channels for use in 8080 microcomputer systems. Its primary function is to generate, upon a peripheral request, a sequential memory address which will allow the peripheral to access or deposit data directly from or to memory. It uses the Hold feature of the 8080 to acquire the system bus. It also keeps count of the number of DMA cycles for each channel and notifies the peripheral when a programmable terminal count has been reached. Other features that it has are two mode priority logic to resolve the request among the four channels, programmable channel inhibit logic, an early write pulse option, a modulo 256/128 Mark output for sectorized data transfers, an automatic load mode, a terminal count status register, and control signal timing generation during DMA cycles. There are three types of DMA cycles: Read DMA Cycle, Write DMA Cycle and Verify DMA Cycle.

The 8257 is a 40-pin, N-channel MOS chip which uses a single +5V supply, and the ϕ 2 (TTL) clock of the 8080 system. It is designed to work in conjunction with a single 8212 8-bit, three-state latch chip. Multiple DMA chips can be used to expand the number of channels with the aid of the 8214 Priority Interrupt Chip.

PIN CONFIGURATION



BLOCK DIAGRAM



SILICON GATE MOS 8257

8257 PRELIMINARY FUNCTIONAL DESCRIPTION

The transfer of data between a mass storage device such as a floppy disk or mag cassette and system RAM memory is often limited by the speed of the microprocessor. Removing the processor during such a transfer and letting an auxiliary device manage the transfer in a more efficient manner would greatly improve the speed and make mass storage devices more attractive, even to the small system designer.

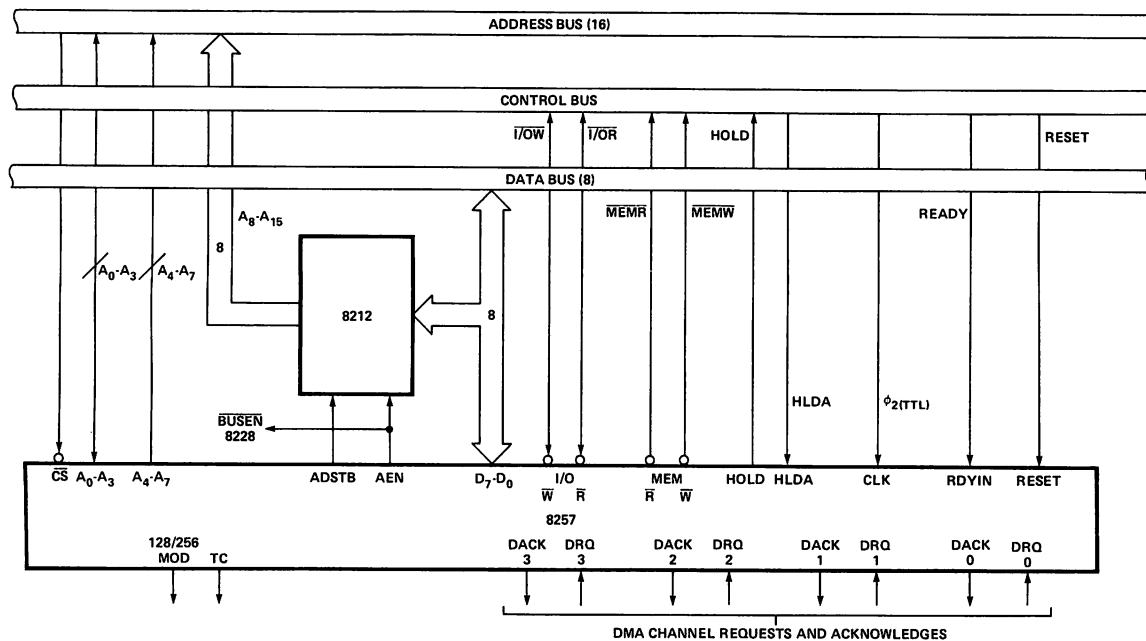
The transfer technique is called DMA (Direct Memory Access); in essence the CPU is idled so that it no longer has control of the system bus and a DMA controller takes over to manage the transfer.

The 8257 Programmable DMA Controller is a single chip, four channel device that can efficiently manage DMA activities. Each channel is assigned a priority level so that if multi-DMA activities are required each mass storage device can be serviced, based on its importance in the system. In

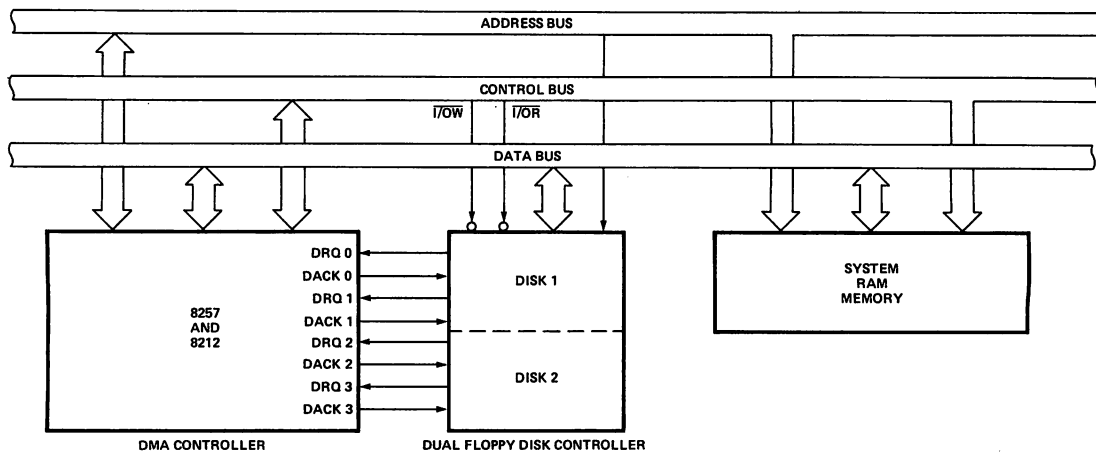
operation, a request is made from a peripheral device for access to the system bus. After its priority is accepted a HOLD command is issued to the CPU, the CPU issues a HLDA and that DMA channel has complete control of the system bus. Transfers can be made in blocks, suspending the processors operation during the entire transfer or, the transfer can be made a few bytes at a time, hidden in the execution states of each instruction cycle, (cycle-stealing).

The modes and priority resolving are maintained by the system software as well as initializing each channel as to the starting address and length of transfer.

The system interface is similar to the other peripherals of the MCS-80 but an additional 8212 is necessary to control the entire address bus. A special control signal BUSEN is connected directly to the 8228 so that the data bus and control bus will be released at the proper time.



System Interface 8257.



System Application of 8257.



Silicon Gate MOS 8259

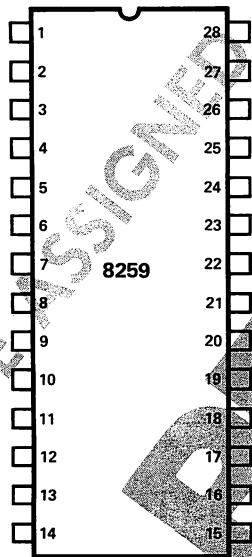
PROGRAMMABLE INTERRUPT CONTROLLER

- Eight Level Priority Controller
- Expandable to 64 Levels
- Programmable Interrupt Modes (Algorithms)
- Individual Request Mask Capability
- Single +5V Supply (No Clocks)
- 28 Pin Dual-in-Line Package

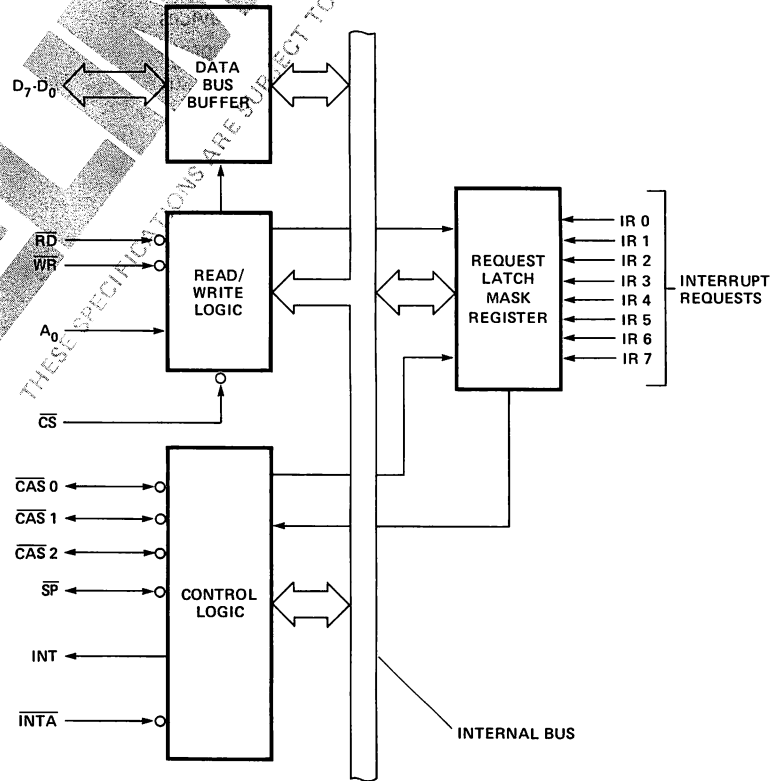
The 8259 handles up to eight vectored priority interrupts for the 8080A CPU. It is cascadable for up to 64 vectored priority interrupts, without additional circuitry. It will be packaged in a 28-pin plastic DIP, uses nMOS technology and requires a single +5V supply. Circuitry is static, requiring no clock input.

The 8259 is designed to minimize the software and real time overhead in handling multi-level priority interrupts. It has several modes, permitting optimization for a variety of system requirements.

PIN CONFIGURATION



BLOCK DIAGRAM

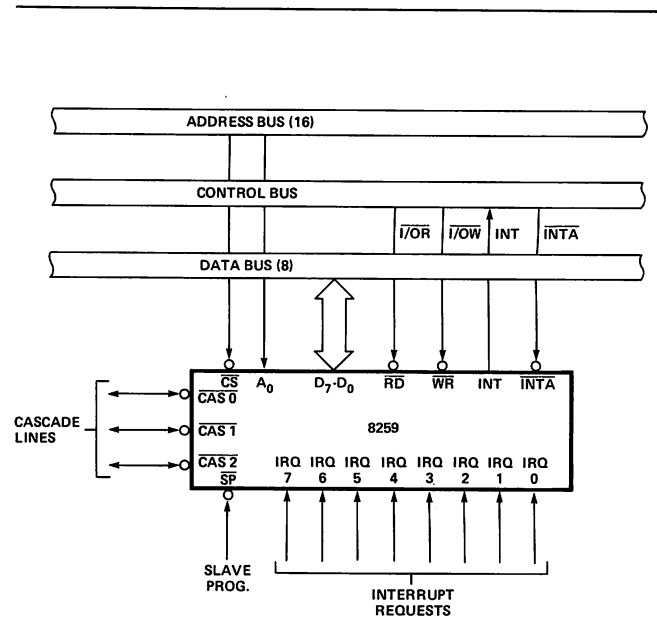


8259 PRELIMINARY FUNCTIONAL DESCRIPTION

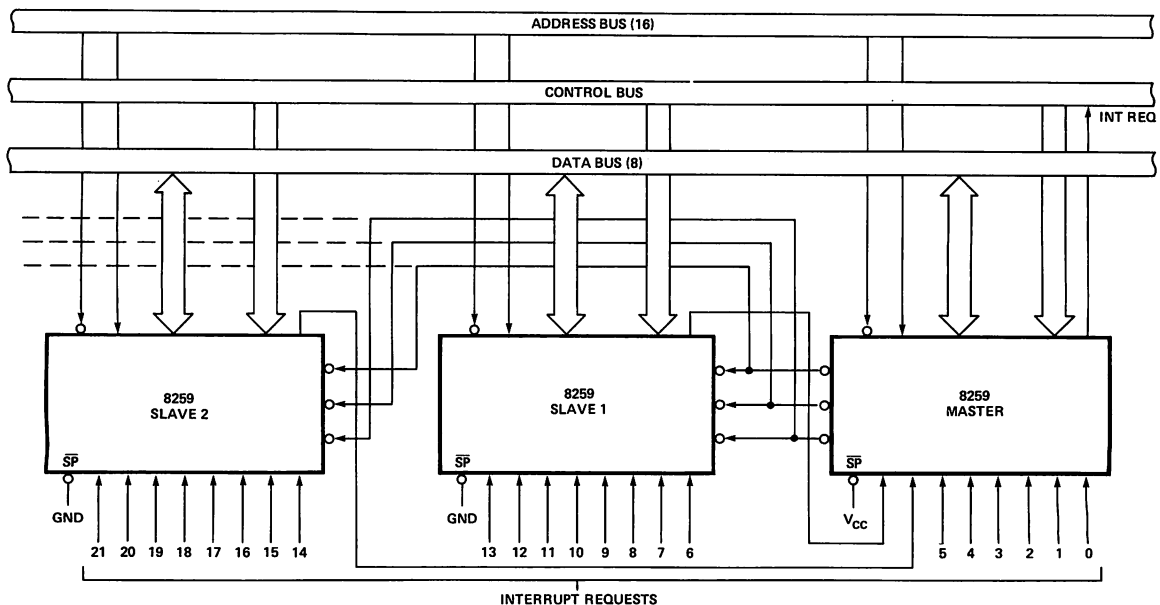
In microcomputer systems, the rate at which a peripheral device or devices can be serviced determines the total amount of system tasks that can be assigned to the control of the microprocessor. The higher the throughput the more jobs the microcomputer can do and the more cost effective it becomes. Interrupts have long been accepted as a key to improving system throughput by servicing a peripheral device only when the device has requested it to do so. Efficient managing of the interrupt requests to the CPU will have a significant effect on the overall cost effectiveness of the microcomputer system.

The 8259 Programmable Interrupt Controller is a single-chip device that can manage eight levels of requests and has built-in features for expandability to other 8259s (up to 64 levels). It is programmed by the systems software as an I/O peripheral. A selection of priority algorithms is available to the programmer so that the manner in which the requests are processed by the 8259 can be configured to match his system requirements. The priority assignments and algorithms can be changed or reconfigured dynamically at any time during the main program. This means that the complete interrupt structure can be defined as required, based on the total system environment.

The system interface is the same as other peripheral devices in the MCS-80. A special input is provided (SP) to program the 8259 as a slave or master device when expanding to more than eight levels. Basically the master accepts INT inputs from the slaves and issues a composite request to the 8080A; when it receives the \overline{INTA} from the 8228 it puts the first byte on the CALL on the bus. On subsequent \overline{INTA} s the interrupting slave puts out the address of the vector.



8259 System Interface.



Cascading the 8259 22 Level Controller (Expandable to 64 levels).

**CHAPTER 6
PACKAGING
INFORMATION**

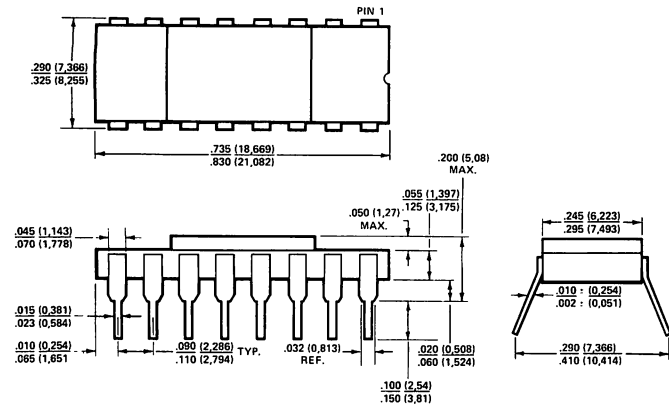
	Intel Product Number	Standard Package Type	Number Of Pins	Comments
CPU GROUP	8224	C D P	16	
	8228	C D P	28	
	8080A	C	40	Including 8080A-1, 8080A-2 and M8080A
ROMs	8702A	C	24	
	8708/4	C	24	
	8302	C P	24	
	8308	C P	24	
	8316A	C P	24	
RAMs	8101-2	C P	22	
	8111-2	C P	18	
	8102-2	C P	16	
	8102A-4	C P	16	
	8107B-4	C P	22	
	5101	C P	22	
	8210	D P	18	
	8222	D	22	New Product
I/O	8212	D P	24	
	8255	C	40	
	8251	C P	28	
PERIPHERAL	8205	C D P	16	
	8214	C D P	24	
	8216/26	D P	16	
COMING SOON	8253		24	Coming Soon
	8257		40	Coming Soon
	8259		28	Coming Soon

C = Ceramic D = Cerdip P = Plastic

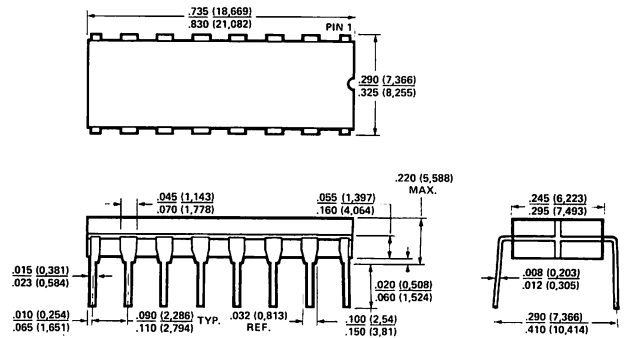
PACKAGING INFORMATION

Dimensions in inches and (millimeters).

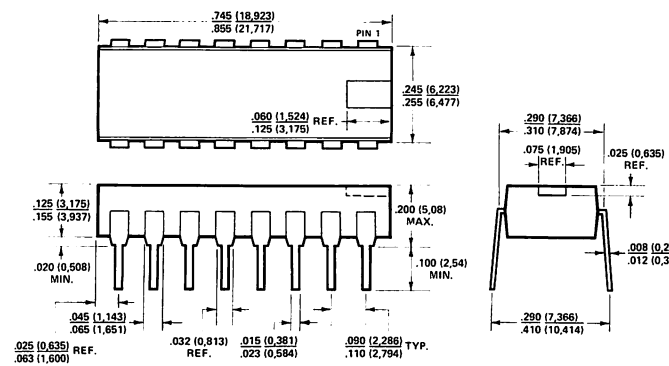
16-LEAD CERAMIC DUAL IN-LINE PACKAGE (C)



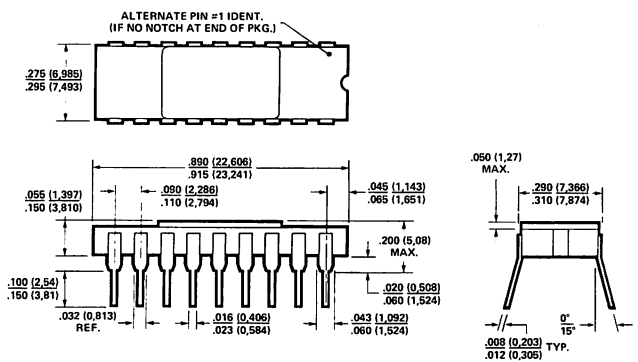
16-LEAD CerDIP DUAL IN-LINE PACKAGE (D)



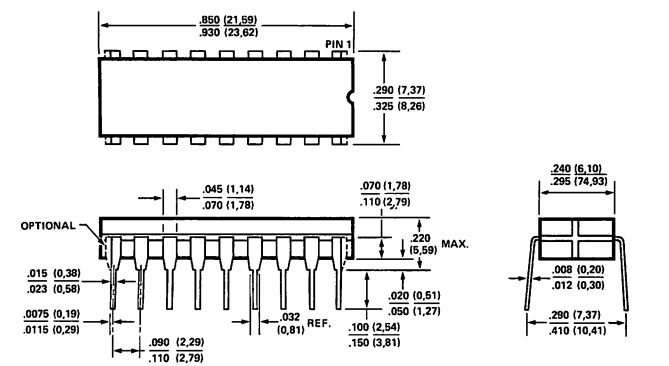
16-LEAD PLASTIC DUAL IN-LINE PACKAGE (P)



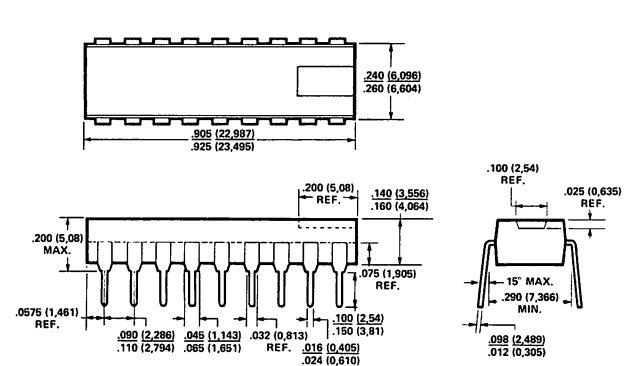
18-LEAD CERAMIC DUAL IN-LINE PACKAGE (C)



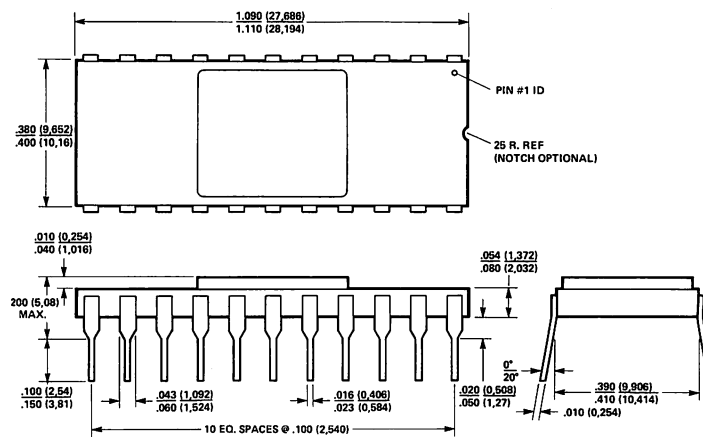
18-LEAD CerDIP DUAL IN-LINE PACKAGE (D)



18-LEAD PLASTIC DUAL IN-LINE PACKAGE (P)



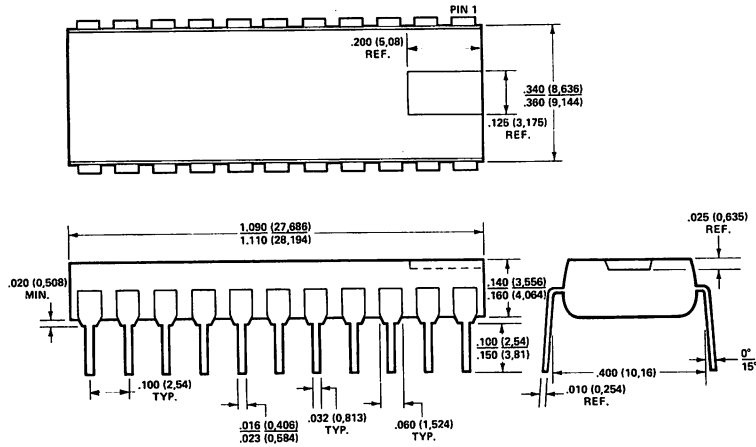
22-LEAD CERAMIC DUAL IN-LINE PACKAGE (C)



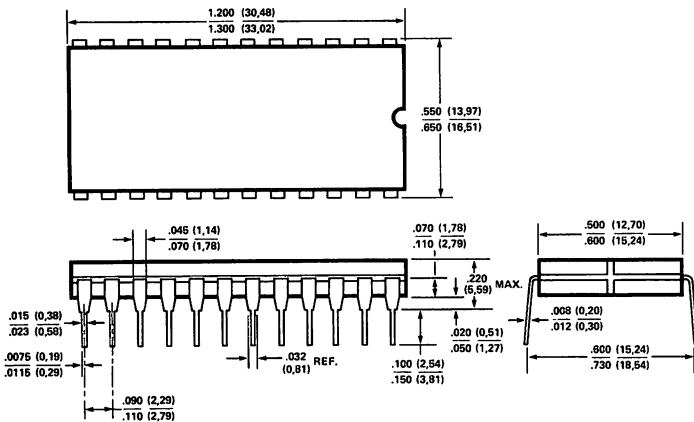
PACKAGING INFORMATION

Dimensions in inches and (millimeters).

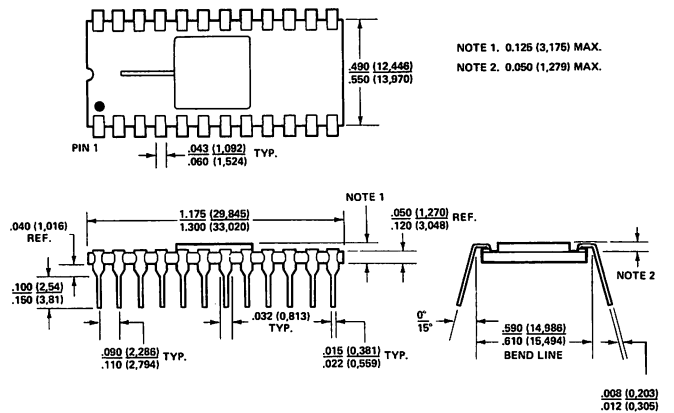
22-LEAD PLASTIC DUAL IN-LINE PACKAGE (P)



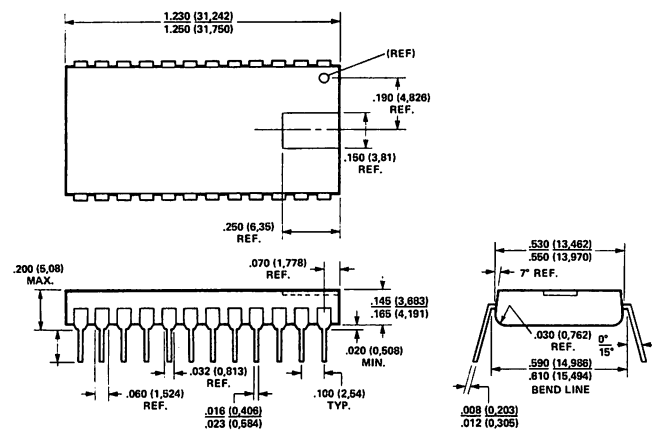
24-LEAD CerDIP DUAL IN-LINE PACKAGE (D)



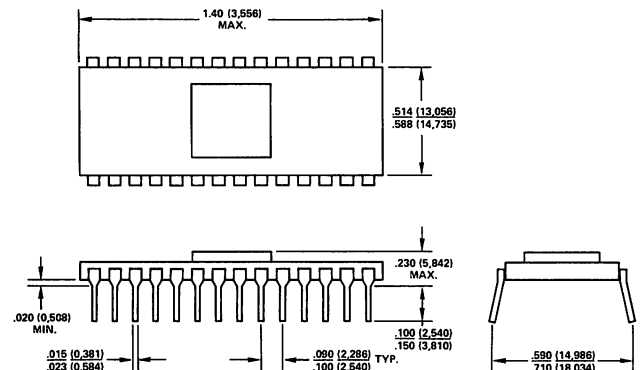
24-LEAD CERAMIC DUAL IN-LINE PACKAGE (C)



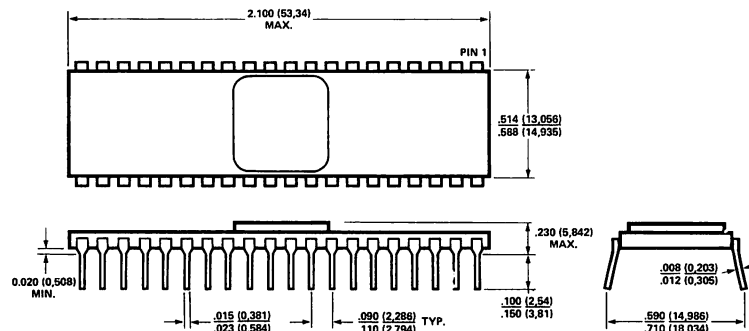
24-LEAD PLASTIC DUAL IN-LINE PACKAGE (P)



28-LEAD CERAMIC DUAL IN-LINE PACKAGE (C)



40-LEAD CERAMIC DUAL IN-LINE PACKAGE (C)



SALES AND MARKETING OFFICES

U.S. SALES AND MARKETING OFFICES

U.S. MARKETING HEADQUARTERS

3065 Bowers Avenue
Santa Clara, California 95051*
Tel: (408) 246-7501
TWX: 910-338-0026
TELEX: 34-6372

NATIONAL SALES MANAGER

Hank O'Hara
3065 Bowers Avenue
Santa Clara, California 95051*
Tel: (408) 246-7501
TWX: 910-338-0026
TELEX: 34-6372

NATIONAL DISTRIBUTOR MANAGER

Jamie Kirk
3065 Bowers Avenue
Santa Clara, California 95051*
Tel: (408) 246-7501
TWX: 910-338-0026
TELEX: 34-6372

U.S. REGIONAL SALES MANAGERS'

WESTERN

William T. O'Brien
1651 East 4th Street
Suite 228
Santa Ana, California 92701*
Tel: (714) 835-9642
TWX: 910-595-1114

MID-AMERICA

Mick Carrier
6350 L. B. J. Freeway
Suite 178
Dallas, Texas 75240*
Tel: (214) 661-8829
TWX: 910-860-5487

GREAT LAKES REGION

Hank Joscetzyk
8312 North Main Street
Dayton, Ohio 45415
Tel: (513) 890-5350
TELEX: 288-004

EASTERN

Jim Saxton
187 Billerica Road
Chelmsford, Massachusetts 01824
Tel: (617) 861-1136
TWX: 710-321-0187

U.S. SALES OFFICES

ALABAMA

Barnhill and Associates
7844 Horseshoe Trail
Huntsville 35802
Tel: (205) 883-9394

ARIZONA

Sales Engineering, Inc.
7155 E. Thomas Road, No. 6
Scottsdale 85252
Tel: (602) 945-5781
TWX: 910-950-1288

CALIFORNIA

Intel Corp.
3065 Bowers Avenue
Santa Clara 95051
Tel: (408) 246-7501
TWX: 910-338-0026

Mac-I

P.O. Box 1420
Cupertino 95014
Tel: (408) 257-9880
Earle Associates, Inc.
4433 Convoey Street
Suite A

San Diego 92111
Tel: (714) 278-5441
TWX: 910-335-1585

Intel Corp.

1651 East 4th Street
Suite 228
Santa Ana 92701
Tel: (714) 835-9642
TWX: 910-595-1114

COLORADO

Intel Corp.
12075 East 45th Avenue
Suite 310
Denver 80239
Tel: (303) 373-4920

FLORIDA

Intel Corp.
1090 NE 27th Terrace
Pompano Beach 33062
Tel: (305) 781-7450
TWX: 510-956-9407

Intel Corp.
5151 Adanson Street, Suite 200-3
Orlando 32804
Tel: (305) 628-2393

ILLINOIS

Intel Corp.
900 Jane Boulevard
Suite 138
Oakbrook 60521
Tel: (312) 325-9510
TWX: 910-222-2710

INDIANA

Sheridan Associates, Inc.
4002 Meadows Drive
Indianapolis 46205
Tel: (317) 547-7777

KANSAS

Sheridan Associates, Inc.
10100 Santa Fe Dr.
Mark I Bldg., Suite 101
Overland Park 66212
Tel: (913) 383-1636

MARYLAND

Barnhill and Associates
57 West Timonium Road
Timonium 21093
Tel: (301) 252-7742

Barnhill and Associates

P.O. Box 251
Glen Arm 21057
Tel: (301) 252-5610

Intel Corp.

57 West Timonium Road
Suite 307
Timonium 21093
Tel: (301) 252-7742

MASSACHUSETTS

Datcom
55 Moody Street
Waltham 02154
Tel: (617) 891-4600
TELEX: 92-3462

Intel Corp.

187 Billerica Road
Chelmsford 01824
Tel: (617) 861-1136
TWX: 710-321-0187

MICHIGAN

Sheridan Associates, Inc.
24543 Indoplex Drive
Farmington Hills 48024
Tel: (313) 477-3800

Intel Corp.

725 South Adams Road
Suite 288
Birmingham 48011
Tel: (313) 642-7018

MINNESOTA

Intel Corp.
475 Southgate Office Plaza
5001 West 80th Street
Bloomington 55437
Tel: (612) 835-6722
TWX: 910-576-2867

MISSOURI

Sheridan Associates, Inc.
110 S. Highway 140
Suite 10
Florissant 63033
Tel: (314) 837-5200

NEW YORK

Ossmann Components Sales Corp.
395 Cleveland Drive
Buffalo 14215
Tel: (716) 832-4271

Ossmann Components Sales Corp.

280 Metro Park
Rochester 14623
Tel: (716) 442-3290

Ossmann Components Sales Corp.

191 Vestal Parkway E.
Vestal 13850
Tel: (607) 785-9949

Ossmann Components Sales Corp.

132 Pickard Building
Syracuse 13211
Tel: (315) 454-4477
TWX: 710-541-1522

Ossmann Components Sales Corp.

140 Pine Street
Kingston 12401
Tel: (914) 338-5505

SCANDINAVIA

John Johansen
Intel Office
Linbovej 32 2nd Fl
DK2100 Copenhagen East
Denmark
Tel: (01) 182000
TELEX: 19567

Lennart Eriksson

Intel Office
Box 86
S-16212 Vallingby 1
Sweden
Tel: (08) 375370
TELEX: 13164 (ABCENT)

GERMANY

Alfred Neye Enatechnik GmbH
Schillerstrasse 14
2085 Quickborn-Hamburg
Tel: (041 06) 612-1
TELEX: 02-13590

ISRAEL

Telsys Ltd.
54, Jabotinsky Road
Ramat - Gan 52 464
Tel: (3)-739865
TELEX: 32392

ITALY

Eledra 3S
Via Ludovico da Viadana 9
20122 Milano
Tel: (02) 860307
TELEX: 32027

SPAIN

Interface
Ronda General Mitre #7
Barcelona 17
Tel: (93) 203-53-30
TELEX: 54713

NORTH CAROLINA

Barnhill and Associates
913 Plateau Lane
Raleigh 27609
Tel: (919) 876-5617

OHIO

Sheridan Associates, Inc.
23224 Commerce Park Rd.
Beachwood 44122
Tel: (216) 831-0130

Sheridan Associates, Inc.

Shiloh Bldg.
Suite 250
5045 North Main Street
Dayton 45405
Tel: (513) 277-8911

Sheridan Associates, Inc.

10 Knollcrest Drive
Cincinnati 15237
Tel: (513) 761-5432
TWX: 810-461-2670

Intel Corp.

8312 North Main Street
Dayton 45415
Tel: (513) 890-5250
TELEX: 288-004

OREGON

ES/Chase Co.
P.O. Box 626
Beaverton 97005
Tel: (503) 649-6177

PENNSYLVANIA

Vantage Sales Company
21 Bala Avenue
Bala Cynwyd 19004
Tel: (215) 667-0990
TWX: 510-662-5846

Sheridan Associates, Inc.

1717 Penn Avenue
Suite 5009
Pittsburgh 15221
Tel: (412) 244-1640

Intel Corp.

520 Pennsylvania Ave., Suite 102
Fort Washington 19034
Tel: (215) 542-9444
TWX: 510-661-3055

EUROPEAN MARKETING OFFICES

ENGLAND

Keith Chapple
Intel Office
Broadfield House
4 Between Towns Road
Cowley, Oxford OX4 3NB
Tel: (0865) 771431
TELEX: 837203

TENNESSEE

Barnhill and Associates
206 Chicasaw Drive
Johnson City 37601
Tel: (615) 928-0184

TEXAS

Evans & McDowell Associates
13777 N. Central Expressway
Suite 405
Dallas 75231
Tel: (214) 238-7157
TWX: 910-867-4763

Evans & McDowell Associates

6610 Harwin Avenue, Suite 125
Houston 77036
Tel: (713) 783-2900

Intel Corp.

6350 L. B. J. Freeway
Suite 178
Dallas 75240
Tel: (214) 661-8829
TWX: 910-860-5487

VIRGINIA

Barnhill and Associates
P.O. Box 1104
2532 Langhorne Road
Lynchburg 24501
Tel: (703) 846-4624

WASHINGTON

ES/Chase Co.
P.O. Box 249
Edmonds 98020
Tel: (206) 774-3586

CANADA

Multitek, Inc.
4 Barran Street
Ottawa, Ontario K2J 1G2
Tel: (613) 825-4695
TELEX: 053-4585

EUROPEAN MARKETING OFFICES

EUROPEAN MARKETING HEADQUARTERS

BELGIUM

Tom Lawrence
Intel Office
216 Avenue Louise
Brussels B-1050
Tel: (02) 649-20-03
TELEX: 24814

FRANCE

Bernard Giroud
Intel Office
Cidex R-141
F-94534 Rungis
Tel: (1) 677-60-75
TELEX: 27475

INTERNATIONAL DISTRIBUTORS

AUSTRALIA

A. J. Ferguson (Adelaide) PTY. Ltd.
44 Prospect Rd.
Prospect 50822
Tel: 269-1244
TELEX: 82635

AUSTRIA

Bacher Elektronische Gerate GmbH
Meidinger Hauptstrasse 78
A 1120 Vienna
Tel: (0222) 836396
TELEX: (01) 1532

BELGIUM

Ineco Belgium S.A.
Avenue Val Duchesse, 3
B-1160 Bruxelles
Tel: (02) 600012
TELEX: 25441

ENGLAND

G.E.C. Semiconductors Ltd.
East Lane
Wembley
Middlesex HA97PP
Tel: (01) 904-9303
TELEX: 923429

DENMARK

Scandinavian Semiconductor
Supply A/S
20, Nannasgade
DK-2200 Copenhagen N
Tel: (01) 935090
TELEX: 19037

FINLAND

Havulinna Oy
P.O. Box 468
SF 00100 Helsinki 10
Tel: (90) 664451
TELEX: 12426

FRANCE

Tekeltec Airtronic
Cite des Bruyeres
Rue Carle Vernet
92 Sevres
Tel: (01) 626-02-35
TELEX: 25997

ORIENT MARKETING OFFICES

ORIENT MARKETING HEADQUARTERS ORIENT DISTRIBUTORS

JAPAN

T. Kamo
Intel Japan Corporation
Kasahara Bldg.
1-6-10, Uchikanda
Chiyoda-ku
Tokyo 101
Tel: (03) 295-5441
TELEX: 781-28426

JAPAN

Pan Elektron Inc.
No. 1 Higashikata-Machi
Midori-Ku, Yokohama 226
Tel: (045) 471-8321
TELEX: 781-47773

U.S. DISTRIBUTORS

U.S. DISTRIBUTORS

WEST

ARIZONA

Cramer/Arizona
2643 East University Drive
Phoenix 85034
Tel: (602) 263-1112
Hamilton/Avnet Electronics
2615 South 21st Street
Phoenix 85034
Tel: (602) 275-7851

CALIFORNIA

Hamilton/Avnet Electronics
575 E. Middlefield Road
Mountain View 94040
Tel: (415) 961-7000
Hamilton/Avnet Electronics
8917 Complex Drive
San Diego 92123
Tel: (714) 279-2421
Hamilton Electro Sales
10912 W. Washington Boulevard
Culver City 90230
Tel: (213) 558-2121
Cramer/San Francisco
720 Palomar Avenue
Sunnyvale 94086
Tel: (408) 739-3011
Cramer/Los Angeles
17201 Daimler Street
Irvine 92705
Tel: (714) 979-3000
Cramer/San Diego
8975 Complex Drive
San Diego 92123
Tel: (714) 565-1881

COLORADO

Cramer/Denver
5465 E. Evans Pl. at Hudson
Denver 80222
Tel: (303) 756-2100
Hamilton/Avnet Electronics
5921 No. Broadway
Denver 80216
Tel: (303) 534-1212

NEW MEXICO

Hamilton/Avnet Electronics
2450 Baylor Drive, S.E.
Albuquerque 87119
Tel: (505) 765-1500
Cramer/New Mexico
137 Vermont, N.E.
Albuquerque 87108
Tel: (505) 265-5767

OREGON

Almac/Stroum Electronics
4475 S.W. Scholls Ferry Rd.
Portland 97225
Tel: (503) 292-3534

UTAH

Cramer/Utah
391 W. 2500 South
Salt Lake City 84115
Tel: (801) 487-4131
Hamilton/Avnet Electronics
647 W. Billinis Road
Salt Lake City 84119
Tel: (801) 262-8451

WASHINGTON

Hamilton/Avnet Electronics
13407 Northrup Way
Bellevue 98005
Tel: (206) 746-8750
Almac/Stroum Electronics
5811 Sixth Ave. South
Seattle 98108
Tel: (206) 763-2300
Cramer/Seattle
5602 Sixth Ave. South
Seattle 98108
Tel: (206) 762-5755

MID-AMERICA

INDIANA

Sheridan Associates, Inc.
4002 Meadows Dr.
Indianapolis 46205
Tel: (317) 547-7777

ILLINOIS

Cramer/Chicago
1911 So. Busse Rd.
Mt. Prospect 60056
Tel: (312) 593-8230
Hamilton/Avnet Electronics
3901 No. 25th Ave.
Schiller Park 60176
Tel: (312) 678-6310

KANSAS

Hamilton/Avnet Electronics
37 Lenexa Industrial Center
9900 Pflumm Road
Lenexa 66215
Tel: (913) 888-8900
Sheridan Associates, Inc.
10100 Santa Fe Dr.
Mark 1 Bldg., Suite 101
Overland Park 66212
Tel: (913) 383-1636

MICHIGAN

Sheridan Sales Co.
24543 Indoplex Drive
Farmington Hills 48024
Tel: (313) 477-3800
Cramer/Detroit
13193 Wayne Road
Livonia 48150
Tel: (313) 425-7000
TWX: 810-242-2985
Hamilton/Avnet Electronics
12870 Farmington Road
Livonia 48150
Tel: (313) 522-4700
TWX: 810-242-8775

MINNESOTA

Industrial Components, Inc.
5280 West 74th Street
Minneapolis 55435
Tel: (612) 831-2666
Cramer/Bonn
7275 Bush Lake Road
Edina 55435
Tel: (612) 835-7811
Hamilton/Avnet Electronics
7683 Washington Avenue So.
Edina 55435
Tel: (612) 941-3801

MISSOURI

Hamilton/Avnet Electronics
364 Brookes Lane
Hazelwood 63042
Tel: (314) 731-1144
Sheridan Sales Co.
110 South Highway 140, Suite 10
Florissant 63033
Tel: (314) 837-5200

OHIO

Hamilton/Avnet Electronics
118 Westpark Road
Dayton 45459
Tel: (513) 433-0610
TWX: 810-450-2531
Sheridan Sales Co.
10 Knollcrest Drive
Cincinnati 45222
Tel: (513) 761-5432
TWX: 810-461-2670
Cramer/Cleveland
5835 Harper Road
Cleveland 44139
Tel: (216) 248-8400
TWX: 810-427-9407
Hamilton/Avnet Electronics
761 Beta Drive
Cleveland 44143
Tel: (216) 461-1400
Cramer/Tri States, Inc.
666 Redna Terrace
Cincinnati 45215
Tel: (513) 771-6441
TWX: 810-461-2882
Sheridan Sales Co.
23224 Commerce Park Road
Beachwood 44122
Tel: (216) 831-0130
Sheridan Sales Co.
Shiloh Building, Suite 250
5945 North Main Street
Dayton 45405
Tel: (513) 277-8911

TEXAS

Cramer Electronics
2970 Blystone
Dallas 75220
Tel: (214) 350-1355
Hamilton/Avnet Electronics
4445 Sigma Road
Dallas 75240
Tel: (214) 661-8661
Hamilton/Avnet Electronics
1216 W. Clay
Houston 77019
Tel: (713) 526-4661
Component Specialties, Inc.
10907 Shady Trail, Suite 101
Dallas 75220
Tel: (214) 357-4576
Component Specialties, Inc.
7313 Ashcroft Street
Houston 77036
Tel: (713) 771-7237

WISCONSIN

Cramer/Wisconsin
430 West Rawson Avenue
Oak Creek 53154
Tel: (414) 764-1700

NORTHEAST

CONNECTICUT

Cramer/Connecticut
35 Dodge Avenue
North Haven 06473
Tel: (203) 239-5641
Hamilton/Avnet Electronics
643 Danbury Road
Georgetown 06829
Tel: (203) 762-0361

MARYLAND

Cramer/EW Baltimore
7255 Standard Drive
Hanover 21076
Tel: (301) 796-5790
Cramer/EW Washington
16021 Industrial Drive
Gaithersburg 20760
Tel: (301) 948-0110
Hamilton/Avnet Electronics
7255 Standard Drive
Hanover 21076
Tel: (301) 796-5000

MASSACHUSETTS

Cramer Electronics Inc.
85 Wells Avenue
Newton 02159
Tel: (617) 969-7700
Hamilton/Avnet Electronics
185 Cambridge Street
Burlington 01803
Tel: (617) 273-2120

NEW JERSEY

Cramer/Pennsylvania, Inc.
12 Springdale Road
Cherry Hill Industrial Center
Cherry Hill 08003
Tel: (609) 424-5993
TWX: 710-896-0908
Hamilton/Avnet Electronics
218 Little Falls Road
Cedar Grove 07009
Tel: (201) 239-0800
TWX: 710-994-5787
Cramer/New Jersey
No. 1 Barrett Avenue
Moonachie 07074
Tel: (201) 935-5600
Hamilton/Avnet Electronics
113 Gaither Drive
East Gate Industrial Park
Mt. Laurel 08057
Tel: (609) 234-2133
TWX: 710-897-1405

NEW YORK

Cramer/Binghamton
3220 Watson Boulevard
Endwell 13760
Tel: (607) 754-6661
Cramer/Rochester
3000 Winton Road South
Rochester 14623
Tel: (716) 275-0300
Hamilton/Avnet Electronics
167 Clay Road
Rochester 14623
Tel: (716) 442-7820
Cramer/Syracuse
6716 Joy Road
East Syracuse 13057
Tel: (315) 437-6671
Hamilton/Avnet Electronics
6500 Joy Road
E. Syracuse 13057
Tel: (315) 437-2642
Cramer/Long Island
29 Oser Avenue
Hauppauge, L.I. 11787
Tel: (516) 231-5600
TWX: 510-227-9863
Hamilton/Avnet Electronics
70 State Street
Westbury, L.I. 11590
Tel: (516) 333-5800
TWX: 510-222-8237

PENNSYLVANIA

Sheridan Sales Co.
1717 Penn Avenue, Suite 5009
Pittsburgh 15221
Tel: (412) 244-1640
Cramer Electronics
616 Beatty Drive
Monroeville 15146
Tel: (412) 242-7410

SOUTHEAST

ALABAMA

Cramer/EW Huntsville, Inc.
2310 Bob Wallace Avenue, S.W.
Huntsville 35805
Tel: (205) 539-5722
Hamilton/Avnet Electronics
805 Oster Drive NW
Huntsville 35805
Tel: (205) 533-1170

FLORIDA

Cramer/E.W. Hollywood
4035 No. 29th Avenue
Hollywood 33020
Tel: (305) 923-8181
Hamilton/Avnet Electronics
4020 No. 29th Ave.
Hollywood 33021
Tel: (305) 925-5401
Cramer/E.W. Orlando
345 No. Graham Ave.
Orlando 32814
Tel: (305) 894-1511

GEORGIA

Cramer/EW Atlanta
3923 Oakcliff Industrial Center
Atlanta 30340
Tel: (404) 448-9050
Hamilton/Avnet Electronics
6700 I. 85. Access Road, Suite 2B
Norcross 30071
Tel: (404) 448-0800

NORTH CAROLINA

Cramer Electronics
938 Burke Street
Winston-Salem 27102
Tel: (919) 725-8711

CANADA

ALBERTA

L. A. Varah Ltd.
4742 14th Street N.E.
Calgary T2E 6L7
Tel: (403) 276-8818
Telex: 13 825 89 77

BRITISH COLUMBIA

L. A. Varah Ltd.
2077 Alberla Street
Vancouver 10
Tel: (604) 873-3211

ONTARIO

Cramer/Canada
920 Ainess Avenue, Unit No. 9
Downsview
Toronto 392
Tel: (416) 661-9222
TWX: 610-492-6210
Hamilton/Avnet Electronics
6291-16 Dorman Road
Mississauga L4V 1H2
Tel: (416) 877-7432
TWX: 610-492-8667
Hamilton/Avnet Electronics
1735 Courtwood Cresc.
Ottawa K2C 3J2
Tel: (613) 226-1700
TWX: 610 562-1906

QUEBEC

Hamilton/Avnet Electronics
2670 Paulus
St. Laurent H45 1G2
Tel: (514) 331-6443
TWX: 610-421-3731

NOTES: _____

INSTRUCTION SET

Summary of Processor Instructions

Mnemonic	Description	Instruction Code ⁽¹⁾								Clock ⁽²⁾ Cycles	Mnemonic	Description	Instruction Code ⁽¹⁾								Clock ⁽²⁾ Cycles
		D ₇	D ₆	D ₅	D ₄	D ₃	D ₂	D ₁	D ₀				D ₇	D ₆	D ₅	D ₄	D ₃	D ₂	D ₁	D ₀	
MOV _{r1,r2}	Move register to register	0	1	D	D	D	S	S	S	5	RZ	Return on zero	1	1	0	0	1	0	0	0	5/11
MOV _{M,r}	Move register to memory	0	1	1	1	0	S	S	S	7	RNZ	Return on no zero	1	1	0	0	0	0	C	0	5/11
MOV _{r,M}	Move memory to register	0	1	D	D	D	1	1	0	7	RP	Return on positive	1	1	1	1	0	0	0	0	5/11
HLT	Halt	0	1	1	1	0	1	1	0	7	RM	Return on minus	1	1	1	1	1	0	0	0	5/11
MVI _r	Move immediate register	0	0	D	D	D	1	1	0	7	RPE	Return on parity even	1	1	1	0	1	0	0	0	5/11
MVI _M	Move immediate memory	0	0	1	1	0	1	1	0	10	RPO	Return on parity odd	1	1	1	0	0	0	0	0	5/11
INR _r	Increment register	0	0	D	D	D	1	0	0	5	RST	Restart	1	1	A	A	A	1	1	1	11
DCR _r	Decrement register	0	0	D	D	D	1	0	1	5	IN	Input	1	1	0	1	1	0	1	1	10
INR _M	Increment memory	0	0	1	1	0	1	0	0	10	OUT	Output	1	1	0	1	0	1	1	1	10
DCR _M	Decrement memory	0	0	1	1	0	1	0	1	10	LXI _B	Load immediate register Pair B & C	0	0	0	0	0	0	0	1	10
ADD _r	Add register to A	1	0	0	0	0	S	S	S	4	LXI _D	Load immediate register Pair D & E	0	0	0	1	0	0	0	1	10
ADD _r	Add register to A with carry	1	0	0	0	1	S	S	S	4	LXI _H	Load immediate register Pair H & L	0	0	1	0	0	0	0	1	10
SUB _r	Subtract register from A	1	0	0	1	0	S	S	S	4	LXI _{SP}	Load immediate stack pointer	0	0	1	1	0	0	0	1	10
SBB _r	Subtract register from A with borrow	1	0	0	1	1	S	S	S	4	PUSH _B	Push register Pair B & C on stack	1	1	0	0	0	1	0	1	11
ANA _r	And register with A	1	0	1	0	0	S	S	S	4	PUSH _D	Push register Pair D & E on stack	1	1	0	1	0	1	0	1	11
XRA _r	Exclusive Or register with A	1	0	1	0	1	S	S	S	4	PUSH _H	Push register Pair H & L on stack	1	1	1	0	0	1	0	1	11
ORA _r	Or register with A	1	0	1	1	0	S	S	S	4	PUSH _{PSW}	Push A and Flags on stack	1	1	1	1	0	1	0	1	11
CMP _r	Compare register with A	1	0	1	1	1	S	S	S	4	POP _B	Pop register pair B & C off stack	1	1	0	0	0	0	0	1	10
ADD _M	Add memory to A	1	0	0	0	0	1	1	0	7	POP _D	Pop register pair D & E off stack	1	1	0	1	0	0	0	1	10
ADC _M	Add memory to A with carry	1	0	0	0	1	1	1	0	7	POP _H	Pop register pair H & L off stack	1	1	1	0	0	0	0	1	10
SUB _M	Subtract memory from A	1	0	0	1	0	1	1	0	7	POP _{PSW}	Pop A and Flags off stack	1	1	1	1	0	0	0	1	10
SBB _M	Subtract memory from A with borrow	1	0	0	1	1	1	1	0	7	STA	Store A direct	0	0	1	1	0	0	1	0	13
ANA _M	And memory with A	1	0	1	0	0	1	1	0	7	LDA	Load A direct	0	0	1	1	1	0	1	0	13
XRA _M	Exclusive Or memory with A	1	0	1	0	1	1	1	0	7	XCHG	Exchange D & E, H & L Registers	1	1	1	0	1	0	1	1	4
ORA _M	Or memory with A	1	0	1	1	0	1	1	0	7	XTHL	Exchange top of stack, H & L	1	1	1	0	0	0	1	1	18
CMP _M	Compare memory with A	1	0	1	1	1	1	1	0	7	SPHL	H & L to stack pointer	1	1	1	1	1	0	0	1	5
ADI	Add immediate to A	1	1	0	0	0	1	1	0	7	PCHL	H & L to program counter	1	1	1	0	1	0	0	1	5
ACI	Add immediate to A with carry	1	1	0	0	1	1	1	0	7	DAD _B	Add B & C to H & L	0	0	0	0	1	0	0	1	10
SUI	Subtract immediate from A	1	1	0	1	0	1	1	0	7	DAD _D	Add D & E to H & L	0	0	0	1	1	0	0	1	10
SBI	Subtract immediate from A with borrow	1	1	0	1	1	1	1	0	7	DAD _H	Add H & L to H & L	0	0	1	0	1	0	0	1	10
ANI	And immediate with A	1	1	1	0	0	1	1	0	7	DAD _{SP}	Add stack pointer to H & L	0	0	1	1	1	0	0	1	10
XRI	Exclusive Or immediate with A	1	1	1	0	1	1	1	0	7	STAX _B	Store A indirect	0	0	0	0	0	0	1	0	7
ORI	Or immediate with A	1	1	1	1	0	1	1	0	7	STAX _D	Store A indirect	0	0	0	1	0	0	1	0	7
CPI	Compare immediate with A	1	1	1	1	1	1	1	0	7	LDAX _B	Load A indirect	0	0	0	0	1	0	1	0	7
RLC	Rotate A left	0	0	0	0	0	1	1	1	4	LDAX _D	Load A indirect	0	0	0	1	1	0	1	0	7
RRC	Rotate A right	0	0	0	0	1	1	1	1	4	INX _B	Increment B & C registers	0	0	0	0	0	0	1	1	5
RAL	Rotate A left through carry	0	0	0	1	0	1	1	1	4	INX _D	Increment D & E registers	0	0	0	1	0	0	1	1	5
RAR	Rotate A right through carry	0	0	0	1	1	1	1	1	4	INX _H	Increment H & L registers	0	0	1	0	0	0	1	1	5
JMP	Jump unconditional	1	1	0	0	0	0	1	1	10	INX _{SP}	Increment stack pointer	0	0	1	1	0	0	1	1	5
JC	Jump on carry	1	1	0	1	1	0	1	0	10	DCX _B	Decrement B & C	0	0	0	0	1	0	1	1	5
JNC	Jump on no carry	1	1	0	1	0	0	1	0	10	DCX _D	Decrement D & E	0	0	0	1	1	0	1	1	5
JZ	Jump on zero	1	1	0	0	1	0	1	0	10	DCX _H	Decrement H & L	0	0	1	0	1	0	1	1	5
JNZ	Jump on no zero	1	1	0	0	0	0	1	0	10	DCX _{SP}	Decrement stack pointer	0	0	1	1	1	0	1	1	5
JP	Jump on positive	1	1	1	1	0	0	1	0	10	CMA	Complement A	0	0	1	0	1	1	1	1	4
JM	Jump on minus	1	1	1	1	1	0	1	0	10	STC	Set carry	0	0	1	1	0	1	1	1	4
JPE	Jump on parity even	1	1	1	0	1	0	1	0	10	CMC	Complement carry	0	0	1	1	1	1	1	1	4
JPO	Jump on parity odd	1	1	1	0	0	0	1	0	10	DAA	Decimal adjust A	0	0	1	0	0	1	1	1	4
CALL	Call unconditional	1	1	0	0	1	1	0	1	17	SHLD	Store H & L direct	0	0	1	0	0	0	1	0	16
CC	Call on carry	1	1	0	1	1	1	0	0	11/17	LHLD	Load H & L direct	0	0	1	0	1	0	1	0	16
CNC	Call on no carry	1	1	0	1	0	1	0	0	11/17	EI	Enable Interrupts	1	1	1	1	1	0	1	1	4
CZ	Call on zero	1	1	0	0	1	1	0	0	11/17	DI	Disable interrupt	1	1	1	1	0	0	1	1	4
CNZ	Call on no zero	1	1	0	0	0	1	0	0	11/17	NOP	No-operation	0	0	0	0	0	0	0	0	4
CP	Call on positive	1	1	1	1	0	1	0	0	11/17											
CM	Call on minus	1	1	1	1	1	1	0	0	11/17											
CPE	Call on parity even	1	1	1	0	1	1	0	0	11/17											
CPO	Call on parity odd	1	1	1	0	0	1	0	0	11/17											
RET	Return	1	1	0	0	1	0	0	1	10											
RC	Return on carry	1	1	0	1	1	0	0	0	5/11											
RNC	Return on no carry	1	1	0	1	0	0	0	0	5/11											

NOTES: 1. DDD or SSS – 000 B – 001 C – 010 D – 011 E – 100 H – 101 L – 110 Memory – 111 A.
 2. Two possible cycle times, (5/11) indicate instruction cycles dependent on condition flags.

INSTRUCTION SET

Summary of Processor Instructions By Alphabetical Order

Mnemonic	Description	Instruction Code ^[1]								Clock ^[2] Cycles
		D ₇	D ₆	D ₅	D ₄	D ₃	D ₂	D ₁	D ₀	
ACI	Add immediate to A with carry	1	1	0	0	1	1	1	0	7
ADC M	Add memory to A with carry	1	0	0	0	1	1	1	0	7
ADC r	Add register to A with carry	1	0	0	0	1	S	S	S	4
ADD M	Add memory to A	1	0	0	0	0	1	0	1	7
ADD r	Add register to A	1	0	0	0	0	S	S	S	4
ADI	Add immediate to A	1	1	0	0	0	1	1	0	7
ANA M	And memory with A	1	0	1	0	0	1	1	0	7
ANA r	And register with A	1	0	1	0	0	S	S	S	4
ANI	And immediate with A	1	1	1	0	0	1	1	0	7
CALL	Call unconditional	1	1	0	0	1	1	0	1	17
CC	Call on carry	1	1	0	1	1	1	0	0	11/17
CM	Call on minus	1	1	1	1	1	1	0	0	11/17
CMA	Compliment A	0	0	1	0	1	1	1	1	4
CMC	Compliment carry	0	0	1	1	1	1	1	1	4
CMP M	Compare memory with A	1	0	1	1	1	1	1	0	7
CMP r	Compare register with A	1	0	1	1	1	S	S	S	4
CNC	Call on no carry	1	1	0	1	0	1	0	0	11/17
CNZ	Call on no zero	1	1	0	0	0	1	0	0	11/17
CP	Call on positive	1	1	1	1	0	1	0	0	11/17
CPE	Call on parity even	1	1	1	0	1	1	0	0	11/17
CPI	Compare immediate with A	1	1	1	1	1	1	1	0	7
CPO	Call on parity odd	1	1	1	0	0	1	0	0	11/17
CZ	Call on zero	1	1	0	0	1	1	0	0	11/17
DAA	Decimal adjust A	0	0	1	0	0	1	1	1	4
DAD B	Add B & C to H & L	0	0	0	0	1	0	0	1	10
DAD D	Add D & E to H & L	0	0	0	1	1	0	0	1	10
DAD H	Add H & L to H & L	0	0	1	0	1	0	0	1	10
DAD SP	Add stack pointer to H & L	0	0	1	1	1	0	0	1	10
DCR M	Decrement memory	0	0	1	1	0	1	0	1	10
DCR r	Decrement register	0	0	D	D	D	1	0	1	5
DCX B	Decrement B & C	0	0	0	0	1	0	1	1	5
DCX D	Decrement D & E	0	0	0	1	1	0	1	1	5
DCX H	Decrement H & L	0	0	1	0	1	0	1	1	5
DCX SP	Decrement stack pointer	0	0	1	1	1	0	1	1	5
DI	Disable Interrupt	1	1	1	1	0	0	1	1	4
EI	Enable Interrupts	1	1	1	1	1	0	1	1	4
HLT	Halt	0	1	1	1	0	1	1	0	7
IN	Input	1	1	0	1	1	0	1	1	10
INR M	Increment memory	0	0	1	1	0	1	0	0	10
INR r	Increment register	0	0	D	D	D	1	0	0	5
INX B	Increment B & C registers	0	0	0	0	0	0	1	1	5
INX D	Increment D & E registers	0	0	0	1	0	0	1	1	5
INX H	Increment H & L registers	0	0	1	0	0	0	1	1	5
INX SP	Increment stack pointer	0	0	1	1	0	0	1	1	5
JC	Jump on carry	1	1	0	1	1	0	1	0	10
JM	Jump on minus	1	1	1	1	1	0	1	0	10
JMP	Jump unconditional	1	1	0	0	0	0	1	1	10
JNC	Jump on no carry	1	1	0	1	0	0	1	0	10
JNZ	Jump on no zero	1	1	0	0	0	0	1	0	10
JP	Jump on positive	1	1	1	1	0	0	1	0	10
JPE	Jump on parity even	1	1	1	0	1	0	1	0	10
JPO	Jump on parity odd	1	1	1	0	0	0	1	0	10
JZ	Jump on zero	1	1	0	0	1	0	1	0	10
LDA	Load A direct	0	0	1	1	1	0	1	0	13
LDAX B	Load A indirect	0	0	0	0	1	0	1	0	7
LDAX D	Load A indirect	0	0	0	1	1	0	1	0	7
LHLD	Load H & L direct	0	0	1	0	1	0	1	0	16
LXI B	Load immediate register Pair B & C	0	0	0	0	0	0	0	1	10
LXI D	Load immediate register Pair D & E	0	0	0	1	0	0	0	1	10
LXI H	Load immediate register Pair H & L	0	0	1	0	0	0	0	1	10
LXI SP	Load immediate stack pointer	0	0	1	1	0	0	0	1	10

Mnemonic	Description	Instruction Code ^[1]								Clock ^[2] Cycles
		D ₇	D ₆	D ₅	D ₄	D ₃	D ₂	D ₁	D ₀	
MVI M	Move immediate memory	0	0	1	1	0	1	1	0	10
MVI r	Move immediate register	0	0	D	D	D	1	1	0	7
MOV M, r	Move register to memory	0	1	1	1	0	S	S	S	7
MOV r, M	Move memory to register	0	1	D	D	D	1	1	0	7
MOV r ₁ , r ₂	Move register to register	0	1	D	D	D	S	S	S	5
NOP	No-operation	0	0	0	0	0	0	0	0	4
ORA M	Or memory with A	1	0	1	1	0	1	1	0	7
ORA r	Or register with A	1	0	1	1	0	S	S	S	4
ORI	Or immediate with A	1	1	1	1	0	1	1	0	7
OUT	Output	1	1	0	1	0	0	1	1	10
PCHL	H & L to program counter	1	1	1	0	1	0	0	1	5
POP B	Pop register pair B & C off stack	1	1	0	0	0	0	0	1	10
POP D	Pop register pair D & E off stack	1	1	0	1	0	0	0	1	10
POP H	Pop register pair H & L off stack	1	1	1	0	0	0	0	1	10
POP PSW	Pop A and Flags off stack	1	1	1	1	0	0	0	1	10
PUSH B	Push register Pair B & C on stack	1	1	0	0	0	1	0	1	11
PUSH D	Push register Pair D & E on stack	1	1	0	1	0	1	0	1	11
PUSH H	Push register Pair H & L on stack	1	1	1	0	0	1	0	1	11
PUSH PSW	Push A and Flags on stack	1	1	1	1	0	1	0	1	11
RAL	Rotate A left through carry	0	0	0	1	0	1	1	1	4
RAR	Rotate A right through carry	0	0	0	1	1	1	1	1	4
RC	Return on carry	1	1	0	1	1	0	0	0	5/11
RET	Return	1	1	0	0	1	0	0	1	10
RLC	Rotate A left	0	0	0	0	0	1	1	1	4
RM	Return on minus	1	1	1	1	1	0	0	0	5/11
RNC	Return on no carry	1	1	0	1	0	0	0	0	5/11
RNZ	Return on no zero	1	1	0	0	0	0	0	0	5/11
RP	Return on positive	1	1	1	1	0	0	0	0	5/11
RPE	Return on parity even	1	1	1	0	1	0	0	0	5/11
RPO	Return on parity odd	1	1	1	0	0	0	0	0	5/11
RRC	Rotate A right	0	0	0	0	1	1	1	1	4
RST	Restart	1	1	A	A	A	1	1	1	11
RZ	Return on zero	1	1	0	0	1	0	0	0	5/11
SBB M	Subtract memory from A with borrow	1	0	0	1	1	1	1	0	7
SBB r	Subtract register from A with borrow	1	0	0	1	1	S	S	S	4
SBI	Subtract immediate from A with borrow	1	1	0	1	1	1	1	0	7
SHLD	Store H & L direct	0	0	1	0	0	0	1	0	16
SPHL	H & L to stack pointer	1	1	1	1	1	0	0	1	5
STA	Store A direct	0	0	1	1	0	0	1	0	13
STAX B	Store A indirect	0	0	0	0	0	0	1	0	7
STAX D	Store A indirect	0	0	0	1	0	0	1	0	7
STC	Set carry	0	0	1	1	0	1	1	1	4
SUB M	Subtract memory from A	1	0	0	1	0	1	1	0	7
SUB r	Subtract register from A	1	0	0	1	0	S	S	S	4
SUI	Subtract immediate from A	1	1	0	1	0	1	1	0	7
XCHG	Exchange D & E, H & L Registers	1	1	1	0	1	0	1	1	4
XRA M	Exclusive Or memory with A	1	0	1	0	1	1	1	0	7
XRA r	Exclusive Or register with A	1	0	1	0	1	S	S	S	4
XRI	Exclusive Or immediate with A	1	1	1	0	1	1	1	0	7
XTHL	Exchange top of stack, H & L	1	1	1	0	0	0	1	1	18

- NOTES: 1. DDD or SSS — 000 B — 001 C — 010 D — 011 E — 100H — 101L — 110 Memory — 111 A.
2. Two possible cycle times, (5/11) indicate instruction cycles dependent on condition flags.

Dear Customer,

Please fill out the card below completely to make sure your name is entered accurately on the MCS-80 Registered Users List. This assures you of getting the latest information on all new MCS-80 Product Developments and Application Literature.

Any comments or suggestions regarding MCS-80 would be appreciated.

Sincerely,

Ken McKenzie
MCS-80 Product Manager

8080 MICROCOMPUTER SYSTEM USERS REGISTRATION CARD

(Please Print)

Name _____

Title _____

Company _____

Address _____

City _____ State _____

Mail Stop _____ Zip Code _____

Application _____

Peripherals

- Floppy Disk Line Printer Stepper
 Mag Cassette Keyboard Servo
 Paper Tape Other: _____

ROM _____ k Bytes RAM _____ k Bytes

Inports _____ Outports _____

DMA Channels # _____ Interrupts # _____

Communication Interface

- ASYNC _____ Baud Rate
SYNC _____ Baud Rate
SDLC _____ Baud Rate
OTHER _____ Baud Rate

intel[®]

Microcomputers.

First from the beginning.

INTEL CORPORATION
Microcomputer Systems
3065 Bowers Avenue
Santa Clara, CA 95051

PLACE
STAMP
HERE



INTEL CORPORATION, 3065 Bowers Avenue, Santa Clara, California 95051 (408) 246-7501

Printed in U.S.A./MCS-662-0975/40K