

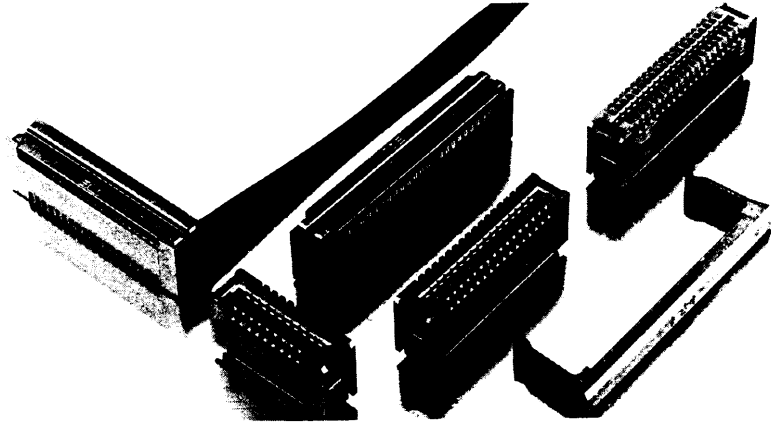
209-077 to 209-168

PRODUCT DESCRIPTION

ANSLEY® Card Edge Connectors are designed to provide a high performance flat-cable interface to double-sided printed circuit boards.

A variety of mounting options and strain relief provide application versatility.

In addition to snap in polarising keys, 20- and 34-position connectors with moulded-in polarisation for standard interfaces are available.



PRODUCT ADVANTAGES

- Pre-loaded contact reduces insertion forces and provides a controlled mating/unmating condition.
- Closed entry lead-in prevents connector damage during mating operation.
- Broad range of connector sizes available, to through 60 contacts.
- Prelatched top cover with built in cable registration allows Ansley® flat cables to be positively located before, during and after crimping operation.
- Snap in polarising keys lock securely into the connector body.
- Chamfered, connector lead-in design enhances alignment and reduces insertion force when plugging to PCB.

TECHNICAL DATA

Insulation material	Glass reinforced thermoplastic rated UL 94V-0
Colour	Black
Contact material	Copper Alloy 654
Contact surface	0,38 μM gold selective plating over 1.3μM nickel
Current rating	1 Amp
Insulation resistance	> 1 x 10 ⁹ Ohms
Dielectric strength	> 500 V DC
Temperature rating	-55°C to + 105°C

INSTALLATION TOOLS

Hand Tool	779-2100
with Die	779-2164
Bench Press or	779-3200
Bench Press (pneumatic)	779-3500 XT
with Standard Platen	779-3130
and Base Plate	779-3164
Semi-Auto Single Head	779-7100
or Twin Head	779-7200
or Triple Head	779-7300
Fully Automatic	779-9500

636 - 10 05

Connector Series

No. of positions

- 05 - with full mounting ears
- 15 - without mounting ears
- 25 - with half mounting ears
- 35 - optional strain relief
- 636-0005 - optional polarisation key

E60980

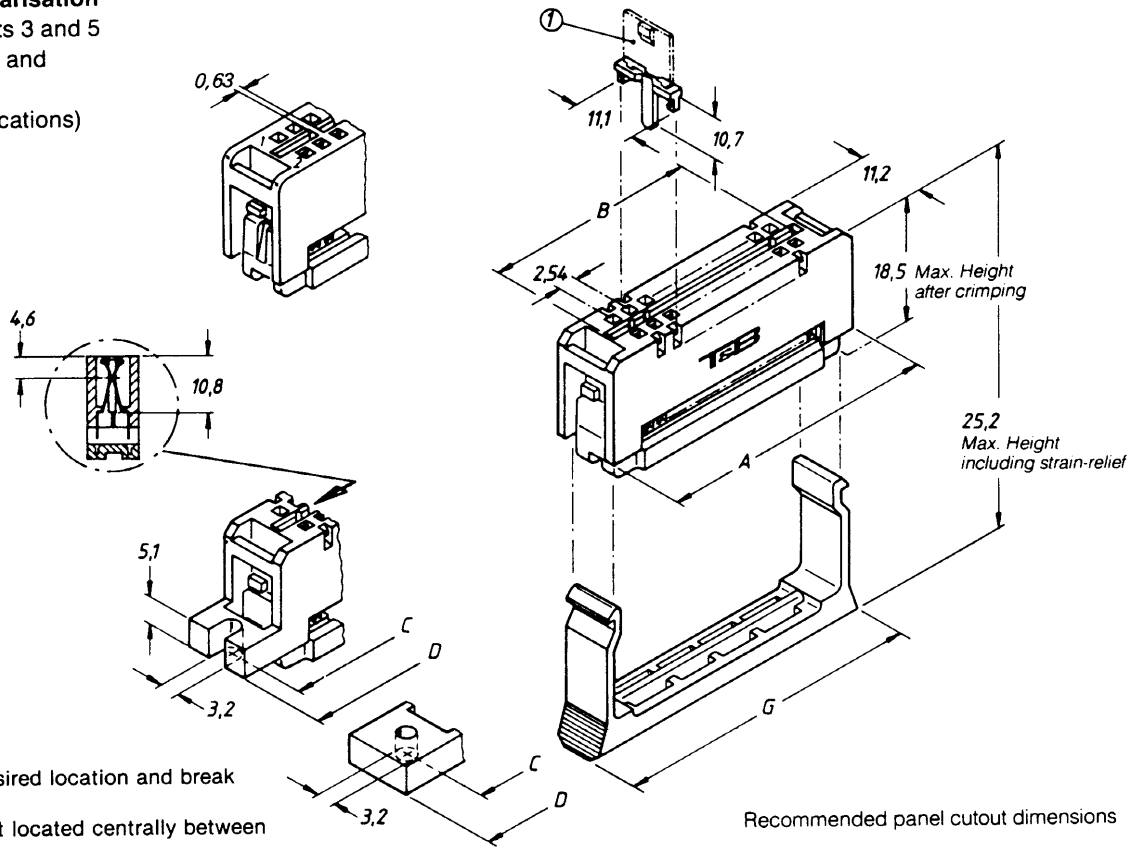
LR49571

For test report request publication No. TR 007

20- or 34-position Card Edge Connector with moulded-in polarisation between contacts 3 and 5

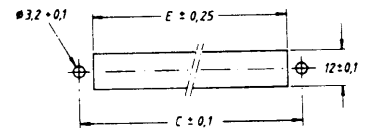
Card Edge Connectors
10 – 60 Position,
20 and 34 Position with moulded-in
polarisation and accessories

Card Edge Connectors with
moulded-in polarisation
 between contacts 3 and 5
 636-2015G3P02 and
 636-3415G3P02
 (disk drive applications)

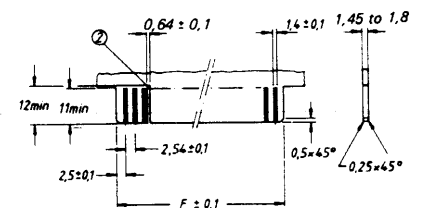


- ① Insert into desired location and break off tab
- ② Polarising slot located centrally between contact pads

Recommended panel cutout dimensions



Recommended PC. Board dimensions



Strain relief

for No. of Pos.	Cat. No.	Dimensions in mm G
10	636-1035	28,19
16	636-1635	35,81
20	636-2035	40,89
26	636-2635	48,51
30	636-3035	53,59
34	636-3435	58,67
40	636-4035	66,29
50	636-5035	78,99
60	636-6035	91,69

No. of Pos.	Cat. No.	Type of Body	Dimensions in mm					
			A	B	C	D	E	F
10	636-1015	without mounting ears	24,4	15,4			25,1	15,1
16	636-1615		32,0	23,0			32,7	22,7
20	636-2015		37,1	28,1			37,8	27,8
26	636-2615		44,7	35,7			45,4	35,4
30	636-3015		49,8	40,8			50,5	40,5
34	636-3415		54,8	45,9			55,6	45,6
40	636-4015	62,5	53,5			63,2	53,2	
50	636-5015	75,2	66,2			75,9	65,9	
60	636-6015	87,9	78,9			88,6	78,6	
10	636-1025	with half mounting ears	24,4	15,4	33,0	38,1	25,1	15,1
16	636-1625		32,0	23,0	40,6	45,7	32,7	22,7
20	636-2025		37,1	28,1	45,7	50,8	37,8	27,8
26	636-2625		44,7	35,7	53,3	58,4	45,4	35,4
30	636-3025		49,8	40,8	58,4	63,5	50,5	40,5
34	636-3425		54,8	45,9	63,5	68,6	55,6	45,6
40	636-4025	62,5	53,5	71,1	76,2	63,2	53,2	
50	636-5025	75,2	66,2	83,8	88,9	75,9	65,9	
60	636-6025	87,9	78,9	96,5	101,6	88,6	78,6	
10	636-1005	with full mounting ears	24,4	15,4	35,6	47,3	25,1	15,1
16	636-1605		32,0	23,0	43,2	54,9	32,7	22,7
20	636-2005		37,1	28,1	48,3	60,0	37,8	27,8
26	636-2605		44,7	35,7	55,9	67,6	45,4	35,4
30	636-3005		49,8	40,8	61,0	72,6	50,5	40,5
34	636-3405		54,8	45,9	66,0	77,7	55,6	45,6
40	636-4005	62,5	53,5	73,7	85,4	63,2	53,2	
50	636-5005	75,2	66,2	86,4	98,1	75,9	65,9	
60	636-6005	87,9	78,9	99,1	110,8	88,6	78,6	