

WY-50/WY-50 + Maintenance Manual

880020-01 Rev. B
January 1986

Wyse Technology Inc.
3471 N. First Street
San Jose, CA 95134-1803 U.S.A.

Printed in U.S.A.

FCC NOTICE

- Note:** This equipment has been tested and found to comply with the limits for a Class A digital device, pursuant to Part 15 of the FCC Rules. These limits are designed to provide reasonable protection against harmful interference when the equipment is operated in a commercial environment. This equipment generates, uses, and can radiate radio frequency energy and, if not installed and used in accordance with the instruction manual, may cause harmful interference to radio communications. Operation of this equipment in a residential area is likely to cause harmful interference in which case the user will be required to correct the interference at his own expense.

The use of shielded I/O cables is required when connecting this equipment to any and all optional peripheral or host devices. Failure to do so may violate FCC rules.

- Caution:** Changes or modifications not covered in this manual must be approved in writing by the manufacturer's Regulatory Engineering department. Changes or modifications made without written approval may void the user's authority to operate this equipment.

CANADIAN DOC NOTICE

This digital apparatus does not exceed the Class A limits for radio noise emissions from digital apparatus set out in the Radio Interference Regulations of the Canadian Department of Communications.

Le présent appareil numérique n'émet pas de bruits radioélectriques dépassant les limites applicables aux appareils numériques de la classe A prescrites dans le Règlement sur le brouillage radioélectrique édicté par le Ministère des Communications du Canada.

PREFACE

This maintenance manual contains information on how to service and repair the WY-50 and WY-50+ terminals. Appendix D describes additional diagnostic firmware specific to the WY-50+ terminal, an enhanced version of the WY-50. We assume you are a qualified service technician with previous experience in terminal and computer repair. To take full advantage of this manual, we suggest you read the information in the order presented.

HOW TO USE THIS MANUAL

This manual is divided into six chapters and four appendixes. Chapter one provides important information for the technician who has never serviced this terminal before. If you are already familiar with the terminal, the technical information in Appendix A can serve as an ongoing introduction. Here is a summary of this manual:

Chapter 1, "Product Overview" describes the terminal, including internal functions, I/O, telecommunications, environmental needs, and operator controls.

Chapter 2, "Removal and Replacement Procedures," shows you how to take the terminal apart and put it back together again. It includes instructions on how to change power requirements on the terminal from domestic to international.

Chapter 3, "Troubleshooting," tells you what to look for and how to fix problems on the terminal. It includes a list of tools needed for troubleshooting, a quick reference guide, and a flowchart.

Chapter 4, "Adjustments and Alignments," describes power supply and monitor adjustments that control the quality of the display.

Chapter 5, "Illustrated Parts List," includes a list of display and keyboard assembly parts.

Chapter 6, "Theory of Operation," describes the terminal operation by function.

Appendix A, "Specifications," lists the terminal's specifications.

Appendix B, "Connector Pin Assignments," lists the signals on each pin of the MODEM and the AUX ports located on the rear panel of the terminal.

Appendix C, "Schematics," includes schematics for the microprocessor PCB, keyboard, and monitor/power supply PCB.

Appendix D, "Servicing the WY-50+," describes new diagnostic firmware included in the WY-50+, the enhanced version of the WY-50, and lists new part numbers.

REFERENCE MANUALS

These publications provide additional information about the terminal.

WY-50 Display Terminal Reference Manual, Wyse 88-011-01

WY-50 Display Terminal Quick Reference Guide, Wyse 88-021-01

WY-50+ User's Guide, Wyse 880153-01

WY-50+ Programmer's Guide, Wyse 880154-01

TABLE OF CONTENTS

PREFACE	iii
1 GENERAL INFORMATION	1-1
Introduction.....	1-1
High Level Functional Description.....	1-2
Microprocessor.....	1-2
Memory.....	1-2
Input/Output Devices.....	1-4
Keyboard.....	1-4
CRT Display.....	1-6
Telecommunications.....	1-6
Environmental Considerations.....	1-6
Operator Controls.....	1-7
Keyboard.....	1-8
Power Cord.....	1-8
Communications Cable.....	1-8
Fuse.....	1-8
Power Switch.....	1-8
Brightness Control.....	1-8
Setup Parameters.....	1-9
Cleaning.....	1-10
2 REMOVING AND REPLACING COMPONENTS	2-1
Modules.....	2-1
Fuse Replacement.....	2-4
Keyboard Replacement.....	2-5
Keyboard Cable Replacement.....	2-6
Keyboard PCB Replacement.....	2-7
Top Cover Replacement.....	2-8
Replacing the Monitor/Power Supply PCB.....	2-8
Changing Power Requirements on the Terminal....	2-8
CRT/Yoke Assembly Replacement.....	2-12
Brightness Potentiometer Replacement.....	2-14
AC Power Switch Replacement.....	2-15
Microprocessor PCB Replacement.....	2-17
3 TROUBLESHOOTING	3-1
Introduction.....	3-1
Power-On Self Test.....	3-1
Diagnostic Self Test.....	3-2
Troubleshooting.....	3-3
Troubleshooting Flowchart.....	3-3
Power Supply Check from the Microprocessor PCB.....	3-8
Checking Horizontal Synchronization.....	3-9
Adjusting Vertical Hold.....	3-9

4	ADJUSTMENTS AND ALIGNMENTS	4-1
	Power Adjustments.....	4-1
	Does the Terminal Meet the Display Specifications?.....	4-3
	Aligning the Terminal Display.....	4-4
	Adjustments.....	4-5
	Height.....	4-5
	Linearity.....	4-5
	Focus.....	4-5
	Width.....	4-6
	Yoke Lock.....	4-6
	Sub-Brightness.....	4-8
	Display Magnets.....	4-8
5	ILLUSTRATED PARTS LIST	5-1
	WY-50 Display Assembly Parts List.....	5-2
	WY-50 Keyboard Assembly Parts List.....	5-4
6	THEORY OF OPERATIONS	6-1
	Introduction.....	6-1
	Raster Scan Terminology.....	6-1
	Printed Circuit Board Layout and Component Identification.....	6-2
	Microprocessor PCB Block Diagram.....	6-3
	CRT and Power Supply Block Diagram.....	6-8
	Keyboard Block Diagram.....	6-13
	Functional Description.....	6-14
	Microprocessor.....	6-14
	Communications Interface.....	6-16
	Display Memory.....	6-16
	Nonvolatile Memory.....	6-17
	Keyboard Interface.....	6-17
	Video Controller.....	6-17
	Video Clock Circuitry.....	6-17
	Programmable Video Controller.....	6-18
	Attribute Control.....	6-18
	Character Generator.....	6-19
	Row Buffer Diagnostic Register.....	6-20
	Video Shift Register.....	6-20

APPENDIXES

A	SPECIFICATIONS	A-1
B	CONNECTOR PIN ASSIGNMENTS	B-1
C	SCHEMATICS	C-1
D	SERVICING THE WY-50+	D-1
	Introduction to WY-50+ Maintenance.....	D-1
	Troubleshooting.....	D-1
	Power-On self-Test.....	D-1
	Field Diagnostics.....	D-2
	System Diagnostic Test.....	D-2
	Transmit/Receive Communications Port Test.....	D-4

Keyboard Function Test.....	D-5
Attribute/Character Font Test.....	D-6
Alignment and Adjustment.....	D-8
Pattern M.....	D-8
Pattern O.....	D-9
Parts List.....	D-10
Schematics.....	D-10

INDEX.....	I-1
------------	-----

LIST OF FIGURES

1-1 Simplified Block Diagram.....	1-1
1-2 Memory Map.....	1-3
1-3 Keyboard.....	1-5
1-4 Terminal Dimensions.....	1-6
1-5 Operator Controls.....	1-7
2-1 Four Major Modules.....	2-2
2-2 Orientation View of Terminal and Components.....	2-3
2-3 Line Fuse Location.....	2-5
2-4 Keyboard Assembly.....	2-6
2-5 Monitor/Power Supply and Chassis.....	2-10
2-6 CRT/Yoke Assembly.....	2-12
2-7 Operator Brightness Potentiometer.....	2-14
2-8 AC Power Switch Removal.....	2-16
2-9 Microprocessor PCB Removal.....	2-18
3-1 Test Jumper.....	3-2
3-2 Troubleshooting Flowchart.....	3-4
3-3 Power Connector at the Microprocessor PCB.....	3-8
4-1 Monitor/Power Supply Component Layout.....	4-1
4-2 Yoke Lock on the CRT Neck.....	4-7
4-3 Display Magnets.....	4-8
6-1 Microprocessor PCB.....	6-2
6-2 Microprocessor PCB Block Diagram.....	6-4
6-3 Monitor/Power Supply Block Diagram.....	6-10
6-4 Horizontal Oscillator Timing.....	6-12
6-5 Vertical Timing.....	6-13
6-6 Keyboard Block Diagram.....	6-13
D-1 Keyboard Function Test Pattern.....	D-6
D-2 Attribute/Character Font Test.....	D-7
D-3 Pattern M.....	D-8
D-4 Pattern O.....	D-9

LIST OF TABLES

3-1 Error Message Definitions.....	3-1
4-1 Problems and Adjustments.....	4-4
4-2 Screen Areas Affected by Display Magnets.....	4-9
6-1 8031 Pin Assignments.....	6-14
D-1 Power-On Self-Test Error Codes.....	D-1
D-2 System Diagnostic Test Error Codes.....	D-3
D-3 Transmit/Receive Com Port Test Error Codes.....	D-5
D-4 Test Pattern Problems and Adjustments.....	D-10

1 GENERAL INFORMATION

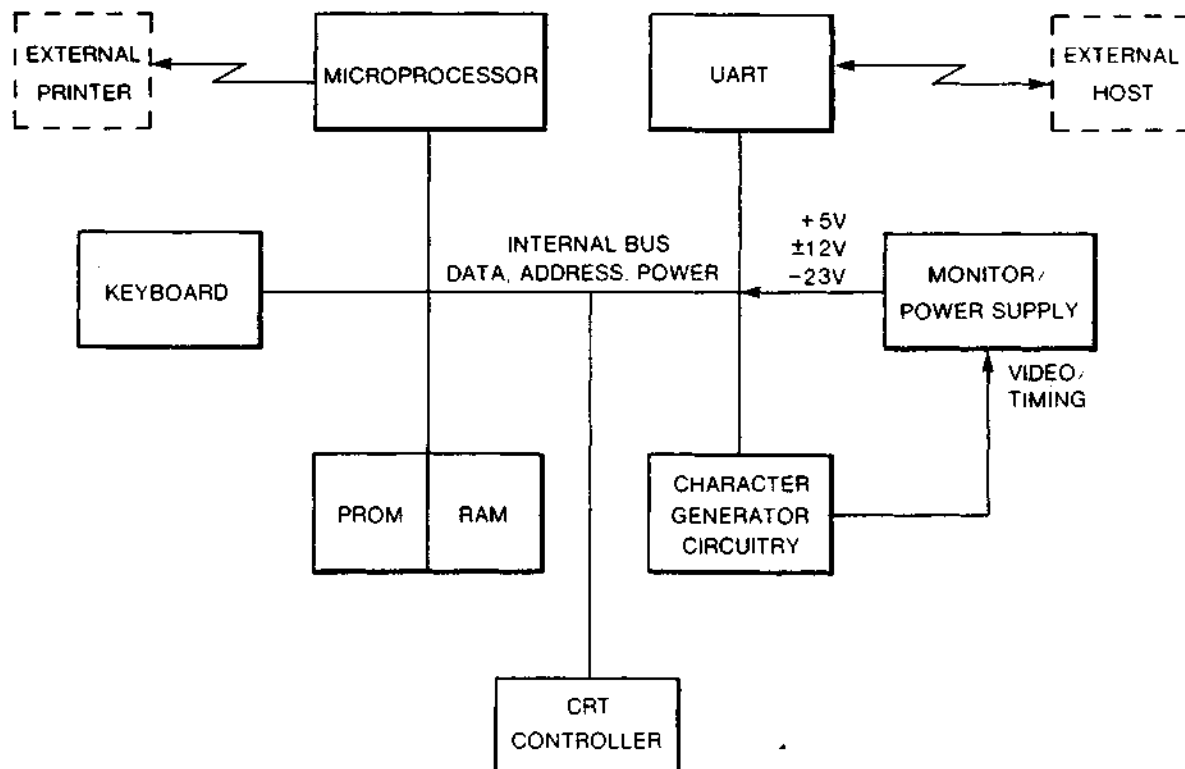
INTRODUCTION

The WY-50 is a compact, high-performance, low-cost terminal capable of meeting the needs of a wide variety of applications. The terminal consists of a display console and a detached keyboard from which data can be entered for display on the cathode ray tube (CRT). All of the electronics needed to support the display and keyboard are in the terminal.

In addition to the CRT and keyboard, the terminal contains two independent telecommunications interfaces. Peripherals, such as a hard-copy printer, attach to the terminal with the auxiliary interface connector on the rear panel.

All the component parts are organized around and controlled by the microprocessor. The microprocessor controls all internal data manipulation and processing functions. Figure 1-1 is a simplified block diagram of the terminal.

Figure 1-1 Simplified Block Diagram



HIGH LEVEL FUNCTIONAL DESCRIPTION

The terminal consists of a microprocessor, a CRT controller, associated control logic, and input/output (I/O) devices. This circuitry is mounted on a single printed circuit board (PCB) in the display console pedestal. The microprocessor controls all basic functions. Timing and control signals for the CRT are generated on the microprocessor PCB. The deflection, high-voltage, and power supply circuitry are located on a single PCB that sits just below the neck of the CRT. Cabling connects the microprocessor PCB and the monitor/power supply PCB. The microprocessor PCB is in the base of the terminal. The monitor/power supply PCB is inside the monitor.

MICROPROCESSOR

The heart of the terminal is an 8-bit, single component microprocessor that has 128 bytes of RAM, 32 I/O lines, two 16-bit counter/timers, a full-duplex UART, and integral interrupt and clock circuitry. The microprocessor uses an external EPROM for program storage. This EPROM can be either 4K, 8K, or 16K. In addition to EPROM, a buffer consisting of up to 4K of RAM holds display information. The microprocessor, CRT controller, and telecommunications interface electronics are attached to a bidirectional bus. These circuits can perform their functions independently while interfacing with the microprocessor or the memory on a direct-memory access (DMA) or interrupt basis.

MEMORY

The memory consists of RAM, EPROM, and EAROM. The RAM stores display information, which is repeatedly read from memory by the CRT controller. This information refreshes the CRT screen. The EPROM stores programs and contains the power-up and self-test routines. The EAROM stores the operator's setup parameters (i.e. baud rate and parity). The microprocessor has an address range capability of 64K. In addition to this addressing range capability, the microprocessor treats external program storage (EAROM) separately (it has its own enable line). This means that an external EPROM can use an additional 64K memory space without infringing on the space available for I/O or RAM. Figure 1-2 is a memory map for the terminal. Note that the EPROM is not shown in the figure because it does not occupy I/O or memory address space.

The standard RAM capacity is 4K and consists of two 2K x 8 RAMS. Each 2K x 8 RAM is allowed 8K of address space. The lower RAM

3FFFH. Since each RAM uses only 2K of address space, the RAM addressing wraps around at 2K page boundaries. The system firmware addresses the RAM from 1800H to 27FFH in order to access 4K of unique contiguous location.

Figure 1-2 Memory Map

HEX ADDRESS			
0000H	0FFFH	1st 2K OF RAM	RAM
1000H	1FFFH		
2000H	2FFFH	2nd 2K OF RAM	
3000H	3FFFH		
4000H	4FFFH	CRT CONTROLLER	CRT CONTROLLER
5000H	5FFFH		
6000H	6FFFH	S.I.O. (UART)	UART
7000H	7FFFH		
8000H	8FFFH	ROW BUFFER DIAGNOSTIC REGISTER	ROW BUFFER DIAGNOSTIC REGISTER
9000H	9FFFH		
A000H	AFFFH	KEYBOARD LATCH	KEYBOARD
B000H	BFFFH		
C000H	CFFFH	EAROM	EAROM
D000H	DFFFH		
E000H	EFFFH	UNASSIGNED	
F000H	FFFFH		

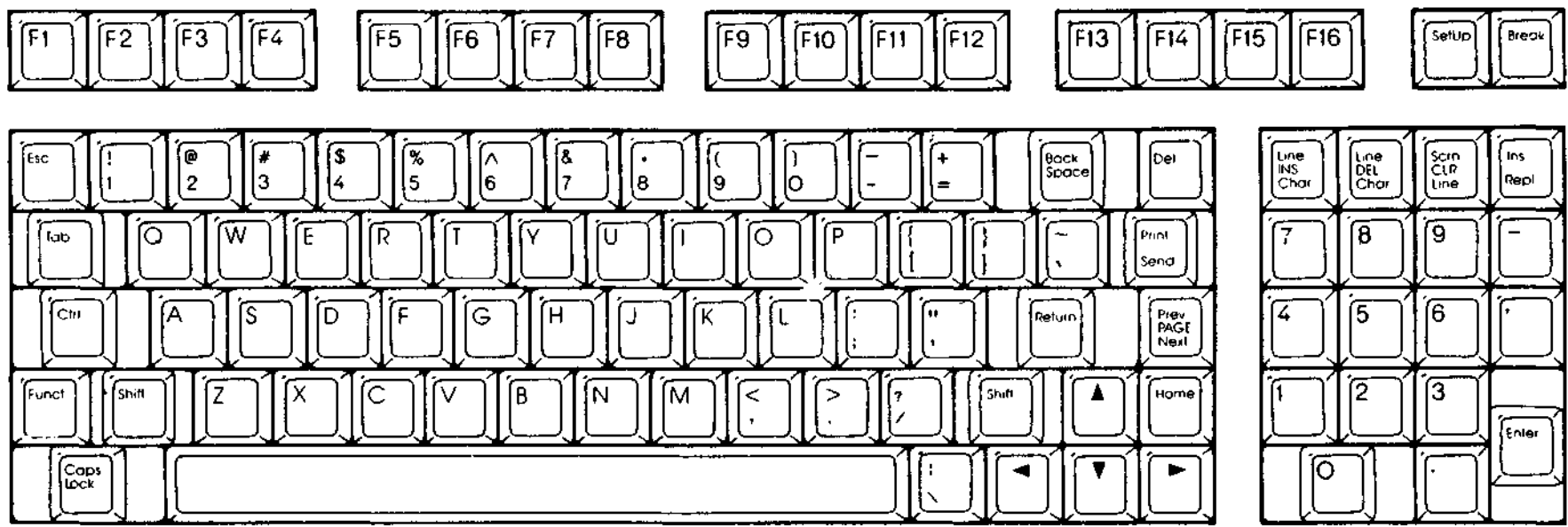
INPUT/OUTPUT DEVICES

The I/O devices consist of a keyboard, a CRT display, and two telecommunications interfaces.

Keyboard

The keyboard consists of 101 keys mounted on a single-sided printed circuit board. All keys have full-travel, hard-contact switches. The microprocessor periodically scans the keys checking for a key closure. Figure 1-3 illustrates the terminal's keyboard. A detailed description is found in "Theory of Operations," Chapter 6.

Figure 1-3 Keyboard



CRT Display

The terminal has a 14-inch CRT. It displays 24 rows of characters (either 80 or 132 columns) and two control rows (one for terminal status and the other for function key identification). The CRT controller reads displayed characters from RAM on a direct memory access basis.

TELECOMMUNICATIONS

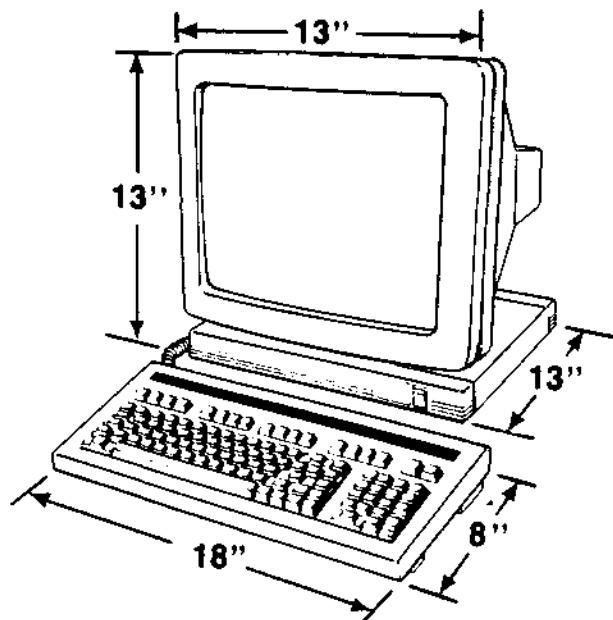
The terminal has two independent asynchronous interfaces that conform with the EIA standard RS-232C. Data rates can be set independently for either interface. The setup procedures in this chapter define the operator-controlled parameters. The operator-controlled parameters are defined in the setup procedures in this chapter. The primary (modem) interface can communicate at data rates up to 38.4K bps. The AUX (auxiliary printer) interface is unidirectional and can communicate at data rates up to 19.2K bps.

ENVIRONMENTAL CONSIDERATIONS

The terminal can be placed on a table, desktop, or any other vibration-free horizontal surface free from lint and dust. Abnormally bright room light or direct sunlight from a window can interfere with the display.

Figure 1-4 shows the terminal's dimensions. The user should allow three inches of clearance on all sides when installing the terminal, to allow air circulation and room for the tilt and swivel mechanism.

Figure 1-4 Terminal Dimensions



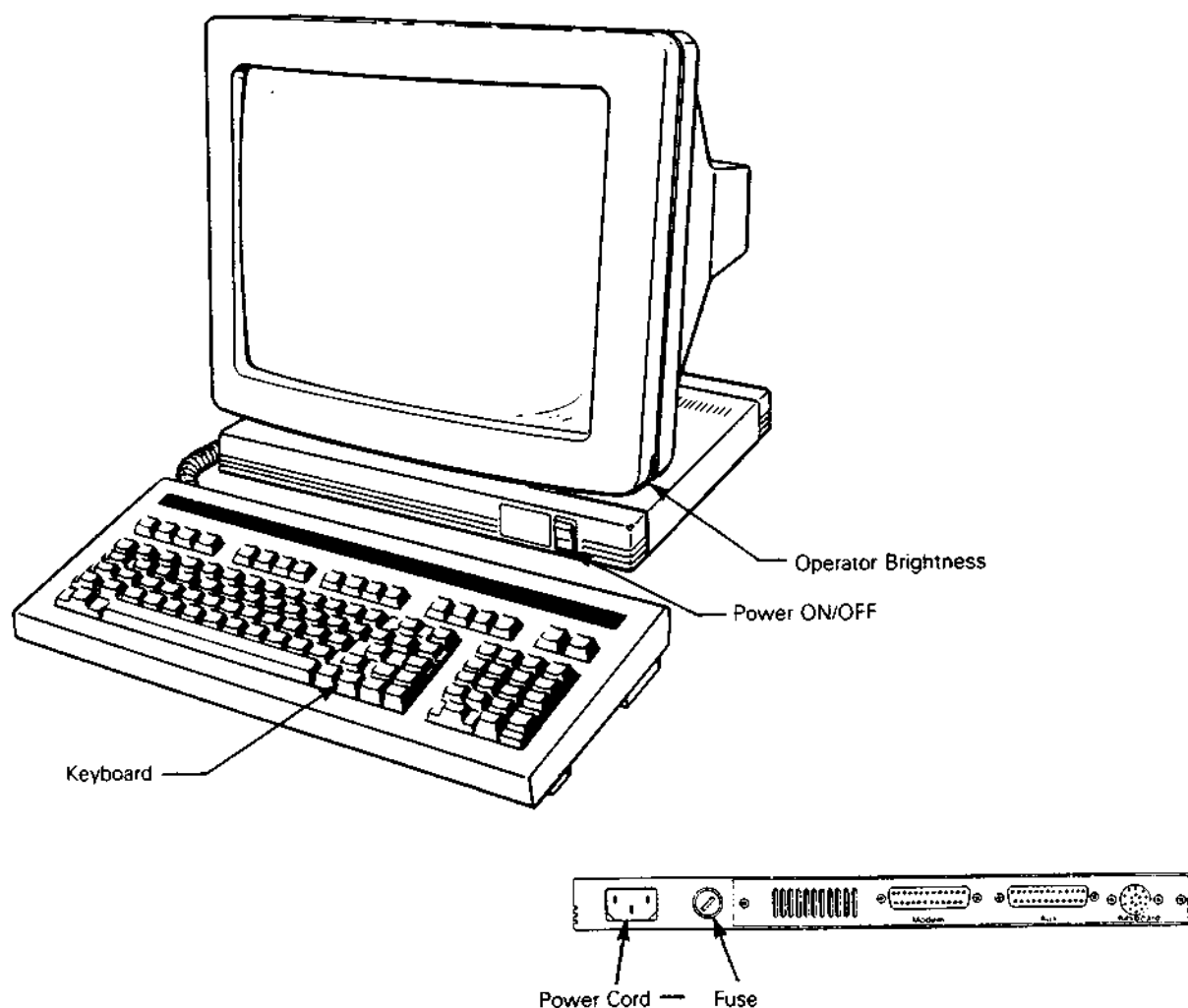
You can install the terminal next to most other types of electrical or electronic equipment without serious interference. Avoid locations near strong magnetic fields that can distort and interfere with the operation or servicing of the video display.

Ambient room temperature should never exceed 45 degrees Celsius (113 degrees Fahrenheit) when the terminal is on. No special cooling is necessary. Make sure the rear of the terminal has a free flow of air. Don't set it on sound-deadening devices that impede the intake of cooling air underneath it.

OPERATOR CONTROLS

Figure 1-5 shows all operator controls, including the keyboard, power, and external brightness. It also points out the MODEM and AUX communication connectors.

Figure 1-5 Operator Controls



Keyboard

Plug the keyboard into the keyboard connector on the rear panel. This plug fits only one way. Avoid unplugging or plugging in the keyboard when the power is on: you could damage the keyboard, the microprocessor board, or both.

CAUTION--Compare the voltage specified on the configuration label (on the back of the CRT enclosure) with the AC power source to prevent damaging the terminal.

Power Cord

You should insert the power cord into the connector on the rear panel. Then plug it into a grounded three-prong AC power source. The AC plug is keyed so it can't be inserted the wrong way.

Communications Cable

Connect the communications cable from the terminal or modem to the communications connector labeled MODEM. This port defaults to 9600 baud, no parity, with one stop bit and eight data bits. The operator can change these parameters by going into setup mode.

Connect the serial printer (if applicable) to the connector on the rear panel labeled AUX. This port is configured to operate at the same baud, parity, stop bit, and data bit as the MODEM port (the AUX port will operate up to 19.2K bps, the MODEM port will operate up to 38.4K bps). You can change these parameters by going into setup mode.

Fuse

The line fuse is located to the right of the power cord receptacle. Both domestic and international versions of the terminal require a standard fuse, 250 volts, 2 amperes. You can find instructions about changing it in "Removal and Replacement," Chapter 2.

Power Switch

The power switch is on the right of the console pedestal. Pressing the top of the switch turns AC power ON.

Brightness Control

The brightness control is a thumbwheel located on the lower right-hand corner of the CRT bezel. Rotating the wheel

clockwise increases the display brightness. Rotating it counterclockwise decreases the brightness.

SETUP PARAMETERS

When you turn the power on, the terminal beeps and executes an internal self-test. When the self-test finishes and the CRT is warm (approximately 30 seconds), the cursor appears in the upper left-hand corner of the display. The unit is now ready for operation based on the setup parameters.

To inspect the parameters, press SHIFT while simultaneously pressing SETUP. The first level of parameters appears across the bottom of the screen. To examine the other four levels of parameters, press ▼ key. Each time you press this key, you can see another level. Change parameters with this procedure:

1. Enter the setup mode by pressing SHIFT and SETUP simultaneously.
2. Press ▼ key until the parameter to be changed is displayed on the bottom row of the screen.
3. Press ► key until the specific parameter to be changed is highlighted.
4. Press the spacebar to advance the parameter to the specific setting desired.
5. Press the cursor keys to advance to the next parameter to be changed.
6. To leave the setup mode, press SHIFT and SETUP simultaneously.

The status line flashes a message asking if the changed parameters should be saved for power-on. Parameter changes not saved are implemented immediately. The next time the terminal is turned on, any parameters established before the unsaved changes will be the parameters under which it operates.

Pressing Y saves the parameters keyed in but does not alter any of the function key definitions.

Pressing A saves all changes made (maximum, four bytes per function key).

7. To return to a normal operation mode, press any key.

The terminal is now operational using the parameters defined in the setup mode.

To get back to the power-on default parameters without

cycling the power, press ESC while in the setup mode.

See the WY-50 Reference Manual for more comprehensive setup instructions.

CLEANING

The terminal needs an occasional cleaning. The screen should be cleaned with a soft, lint-free cloth. Don't ever use chemical substances, abrasives, or commercial glass cleaners that contain alcohol or ammonia to clean the screen. (Apply the cleaner to the cloth, not directly to the screen.)

2 REMOVING AND REPLACING COMPONENTS

MODULES

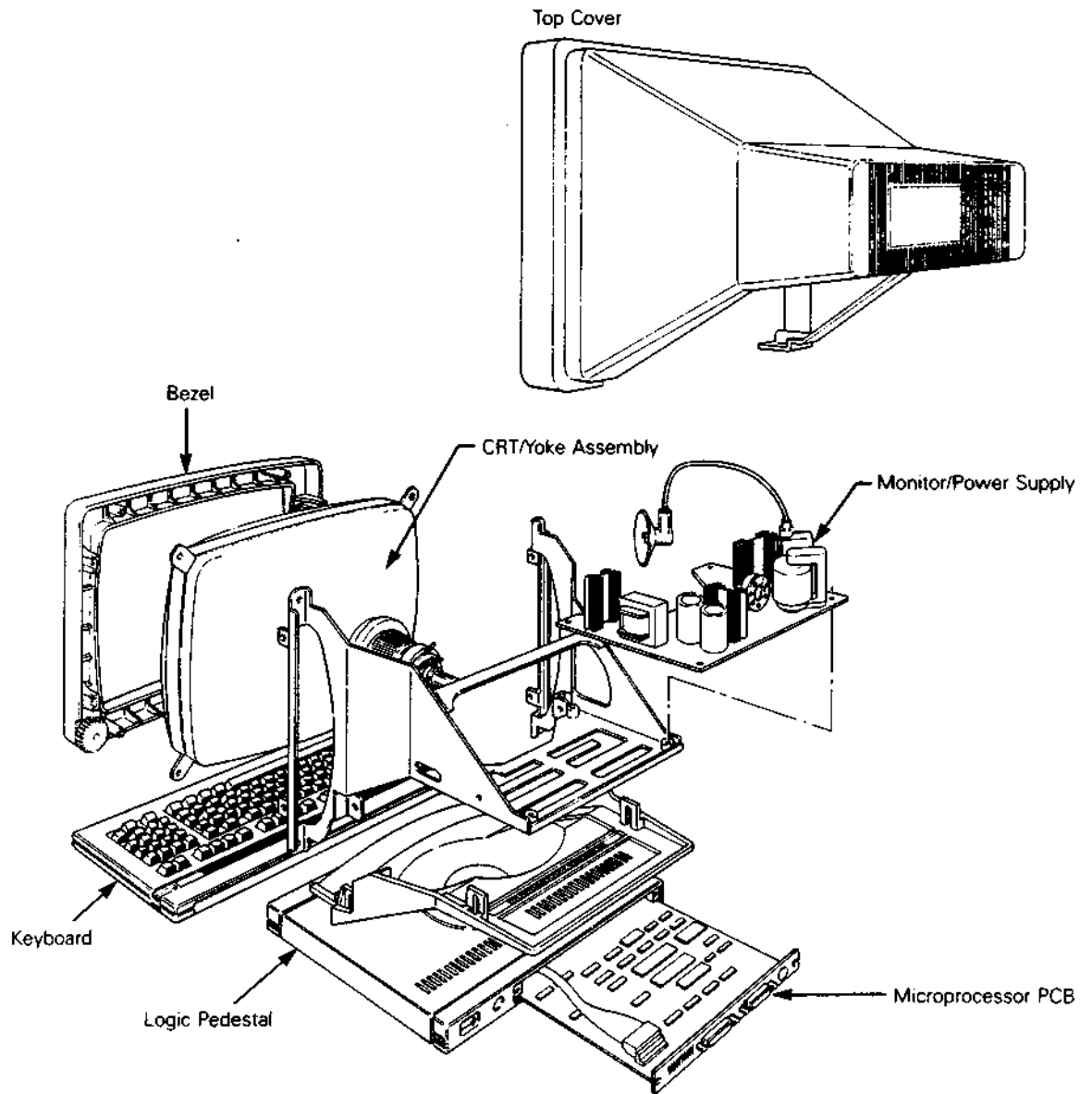
This chapter describes how to remove and install each module. For purposes of orientation, FRONT is the monitor face, BACK is the rear panel and power cord location (see Figure 2-2).

The terminal consists of these four major modules (see Figure 2-1):

Module Name

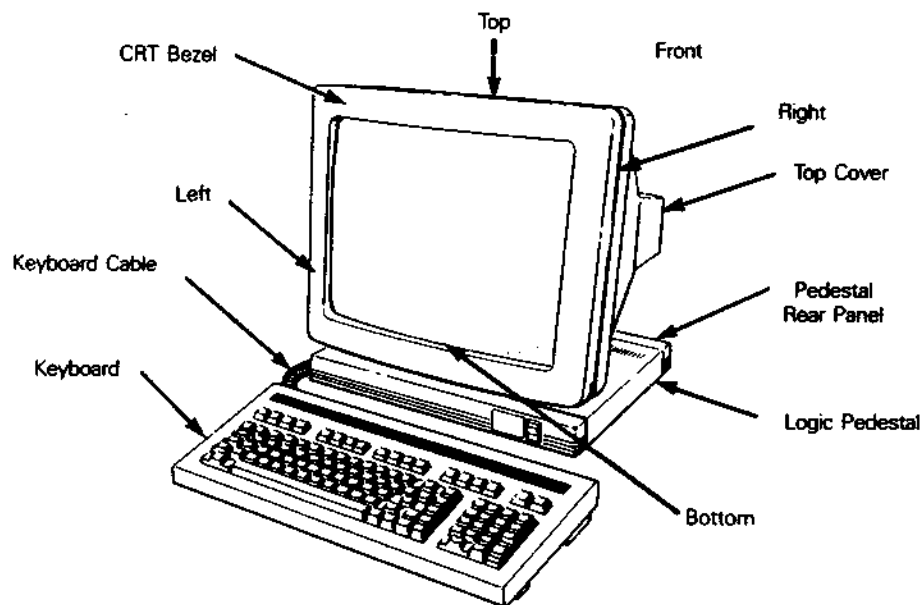
- o Monitor/Power Supply The monitor/power supply performs two major functions: it converts AC input voltage to the required DC voltages (+5V, +12V, -12V, -23V, and +24.5V) and it amplifies and displays horizontal, vertical, and video signals on the CRT screen.
- o Keyboard The keyboard is a scanned matrix. When the user presses a key, the keyboard flags the CPU to generate the appropriate key code. The CPU also debounces keys.
- o Microprocessor PCB The microprocessor PCB generates video and output signals. All control logic is on this PCB.
- o CRT/Yoke Assembly The CRT/yoke assembly contains both the cathode ray tube and the yoke that deflects the electron beam.

Figure 2-1 Four Major Modules



All modules within the terminal can be removed for repair or replacement by the service technician without any special tools.

Figure 2-2 Orientation View of Terminal and Components



WARNING--There are high voltages present. Only qualified service technicians should open up the terminal housing.

The following paragraphs describe removal and replacement procedures for these components and modules:

- o Fuse
- o Keyboard
- o Keyboard cable
- o Keyboard PCB
- o Monitor/power supply PCB
- o CRT/yoke assembly
- o External brightness potentiometer (operator control)
- o AC power switch
- o Microprocessor PCB

If you have the materials and tools listed here, you will be prepared to remove and replace any of the parts or assemblies in this chapter.

Materials:

- Standard fuse, 250 volts, 2 amperes
- Tie wraps

Required Tools:

- Insulated slotted screwdriver, 12"

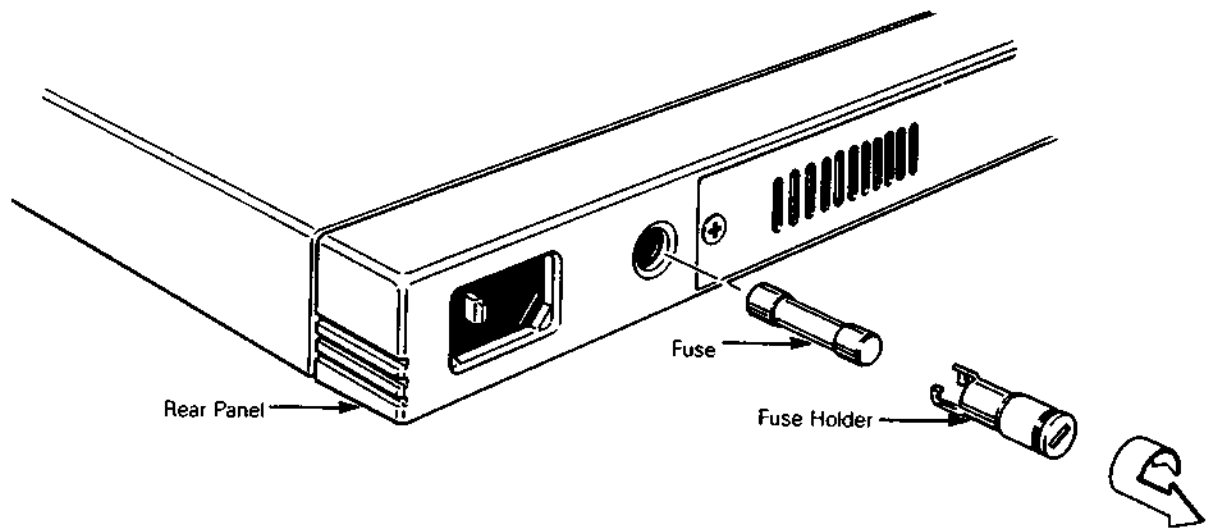
No. 1 Phillips screwdriver, 12"
No. 2 Phillips screwdriver

Recommended Tools:
Ohmmeter
Shorting stick

FUSE REPLACEMENT

Tools Required:
Slotted screwdriver
Standard fuse, 250 volts, 2 amperes
Ohmmeter (recommended)

Figure 2-3 Line Fuse Location

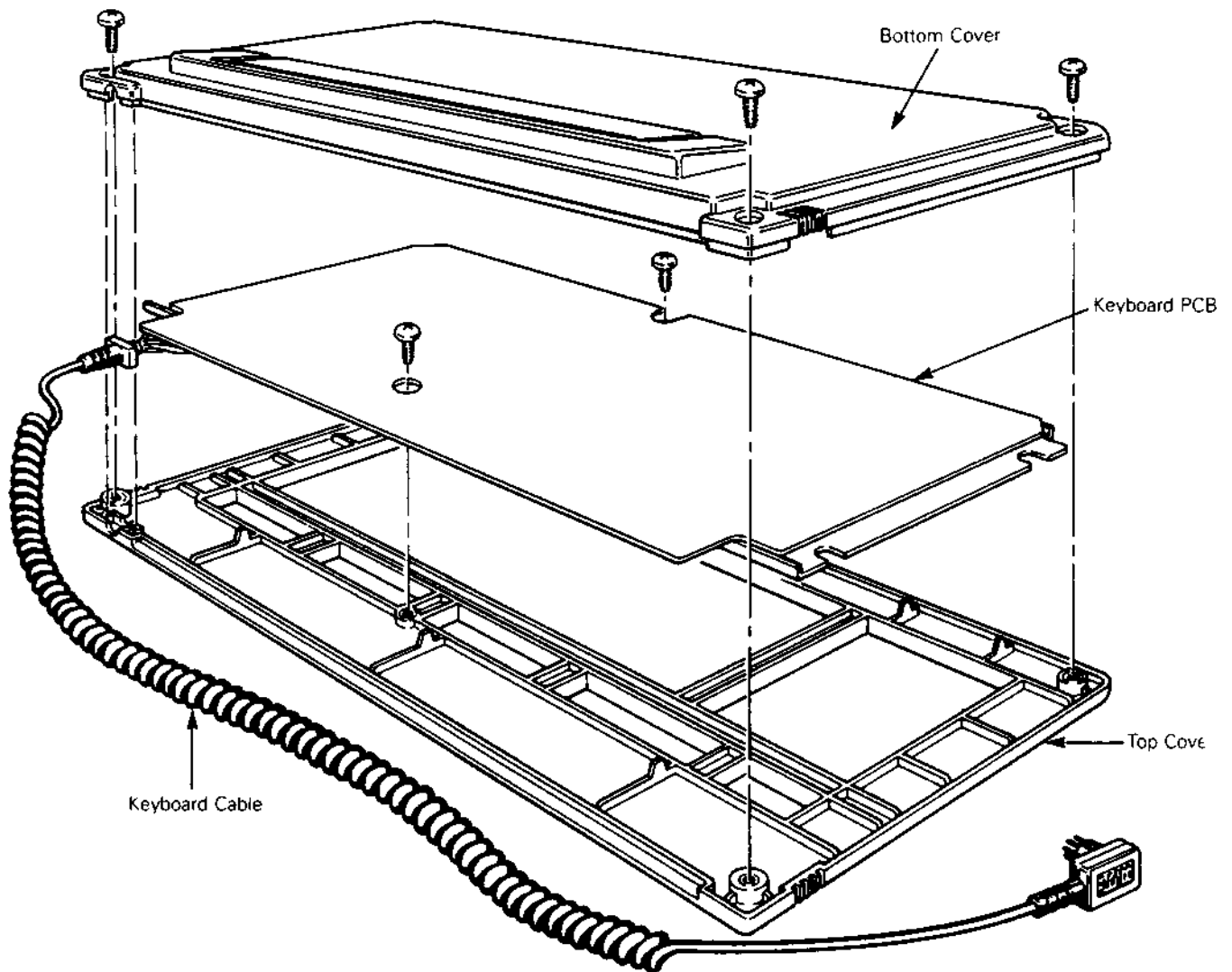


1. Disconnect the terminal from its power source.
2. Push the fuse holder in with a slotted screwdriver. Twist it counterclockwise until it releases.
3. Inspect the fuse. If it is broken or blackened, replace it with a new fuse in the fuse holder. (Check continuity of the new fuse with an ohmmeter.)
4. Push the fuse holder and new fuse back into the fuse socket with a slotted screwdriver. Twist the fuse holder clockwise until it locks in place.

KEYBOARD REPLACEMENT

Tools Required:
None

Figure 2-4 Keyboard Assembly



1. Disconnect the terminal from its AC power source.
2. Unplug the keyboard cable from the keyboard connector at the rear panel.
3. Plug the new keyboard into the rear panel.

KEYBOARD CABLE REPLACEMENT

Tools Required:

No. 2 Phillips screwdriver

See Figure 2-4.

This is the procedure to replace the keyboard cable:

1. Disconnect the terminal from its AC power source.
2. Unplug the keyboard cable from the rear panel.
3. Turn the keyboard over and remove the four No. 2 Phillips head screws holding the keyboard bottom cover (one screw in each corner).
4. Lift the keyboard bottom cover off of the keyboard assembly.
5. Remove the two No. 2 Phillips head screws holding the keyboard top cover to the metal frame and PCB assembly. Lift the PCB assembly out of the keyboard.
6. Unscrew the No. 1 Phillips screw holding the keyboard cables shielded grounding strap to the keyboard.
7. Unplug the keyboard cable from the keyboard.
8. Connect the new keyboard cable to the connector on the PCB. Reconnect the grounding strap. (A few older keyboards do not have compatible connectors. You may have to replace both the cable and the PCB.)
9. Fit the keyboard PCB assembly back into the keyboard top cover. Make sure that the cable fits properly through the edge of the keyboard assembly, then replace the two No. 2 Phillips head screws that hold the PCB in place.
10. Reattach the rear cover of the keyboard assembly.

KEYBOARD PCB REPLACEMENT

Tools Required:

No. 2 Phillips screwdriver

See Figure 2-4.

This is the procedure to replace the keyboard PCB:

1. Disconnect the terminal from its AC power source.
2. Unplug the keyboard cable from the rear panel.
3. Turn the keyboard over and remove the four No. 2 Phillips head screws holding on the keyboard bottom cover (one screw in each corner) to the keyboard assembly.
4. Lift the keyboard bottom cover off of the keyboard assembly.

5. Remove the two No. 2 Phillips head screws holding the keyboard top cover to the metal frame and PCB assembly. Lift the PCB assembly out of the keyboard.
6. Unscrew the No. 1 Phillips screw holding the keyboard cables shielded grounding strap to the keyboard.
7. Unplug the keyboard cable from the keyboard.
8. Connect the keyboard cable to the keyboard connector on the new PCB. Reconnect the grounding strap.
9. Fit the keyboard PCB assembly back into the keyboard top cover. Make sure that the cable fits properly through the edge of the keyboard assembly, then replace the two No. 2 Phillips head screws that hold the PCB in place.
10. Reattach the bottom cover of the keyboard assembly.

TOP COVER REPLACEMENT

Tools Required:

No. 1 Phillips screwdriver, 12"

This is the procedure to remove and replace the top cover:

1. Turn the terminal off. Disconnect it from its AC power source.
2. Remove four No. 1 screws holding the top cover in place (one behind each of the four corners of the bezel).
3. Lift the cover up and away from the terminal.
4. Replacement is the reverse order of removal.

REPLACING THE MONITOR/POWER SUPPLY PCB

Tools Required:

No. 1 Phillips screwdriver, 12"

Insulated slotted screwdriver, 12"

See Figure 2-5.

CAUTION--High voltage is present. Only qualified service personnel should service the terminal.

Changing Power Requirements on the Terminal

The terminal operates at either 115 VAC, 60 Hz, or 230 VAC, 50 Hz. The operating voltage is controlled by a jumper located on

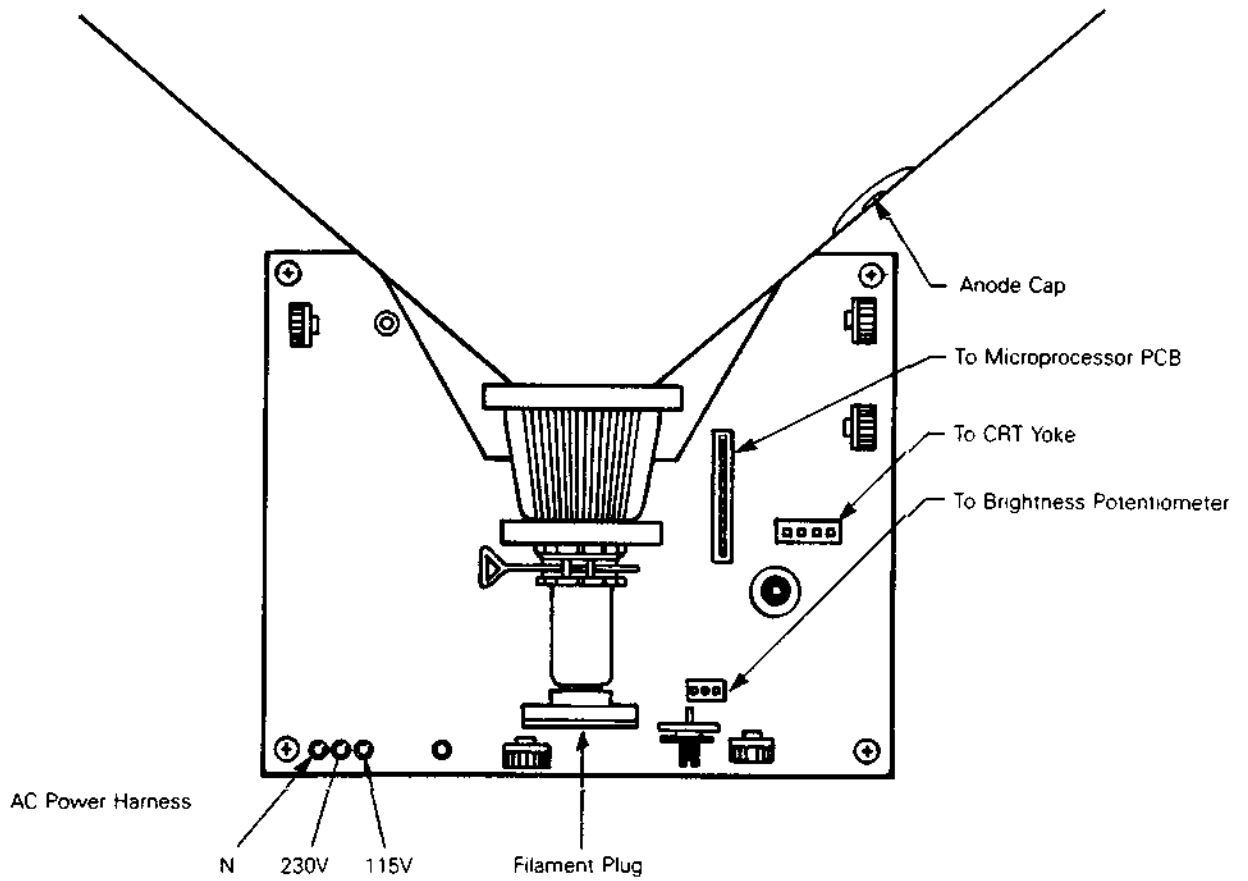
the monitor/power supply logic card. Look at Figure 2-5 for the jumper location.

Before you change the monitor/power supply PCB, make sure the power on the new PCB is strapped correctly.

Here is the procedure to strap the power for 115 VAC (domestic):

1. Connect the crimp-on connector with the black wire to the pin marked 115 on the monitor/power supply PCB (see Figure 2-5).
2. Connect the crimp-on connector with no wire, to the pin marked 230 on the monitor/power supply PCB.

Figure 2-5 Monitor/Power Supply and Chassis



APPENDIX D SERVICING THE WY-50+

INTRODUCTION TO WY-50+ MAINTENANCE

Servicing the WY-50+ is nearly the same as servicing the WY-50. Major feature differences include the amber screen, additional compatible modes, a bi-directional AUX port, Wyseword standard, and multiple pages of memory (two standard, four optional). New servicing features include an expanded set of field diagnostics, a keyboard function test, a test to check all character sets, and two new built-in test patterns for display alignment.

TROUBLESHOOTING

Added troubleshooting features include an improved self-test, a new diagnostic self-test, a communication port test, a keyboard function test, an attribute/character font test, and a new display to check all attributes.

Note--Running the diagnostic tests described here (other than the power-on self-test) defaults all setup parameters and function keys.

Power-On Self-Test

When a user turns the terminal on, it performs a self-test of the logic PCB. If the self-test discovers a failure, an alphanumeric error code indicating failure type will appear in the lower-right corner of the display. An error code usually indicates logic PCB replacement. Table D-1 lists and explains the error codes.

Table D-1 Power-On Self-Test Error Codes

Error Message	Error Type
0	RAM bank 0
1	RAM bank 1
K	Reinitialize EAROM (Press the SETUP key to continue or turn off the terminal, then on again. Replace logic PCB only if error appears repeatedly.)
P	Code ROM checksum
Z	Processor RAM

The self-test checks RAM, EAROM, and the CPU. The RAM test is a read/write test that checks all 8K of RAM, or all 16K if additional memory is installed on the logic PCB. The CPU test checks 128 bytes of RAM in the CPU, the data lines, and the address lines. The EAROM test calculates the EAROM's checksum, and compares it to the checksum bit stored in the ROM.

FIELD DIAGNOSTICS

The WY-50+ contains four new field diagnostics:

- o The System Diagnostic Test, an expanded version of the diagnostic self-test on page 3-2 of the WY-50 Maintenance Manual.
- o A Transmit/Receive Test for the communications ports.
- o A Keyboard Function Test.
- o An Attribute/Character Font Test

The following sections describe the diagnostic procedures, the new error codes, and the new test connectors and cables.

System Diagnostic Test

This test is an expanded version of the power-on self-test. It checks memory, buffers, the CPU, and communications.

Follow these steps to perform the system diagnostic test:

1. Turn off the terminal.
2. Install the system diagnostic test connectors on the AUX and MODEM ports (see page D-4 for connector definitions).
3. Turn on the terminal.
4. Hold down the SHIFT key, then press the SETUP key.
5. Press the cursor DOWN key until the TEST parameter appears on the bottom line of the screen.
6. Press the cursor LEFT key once. The cursor highlights the TEST field.
7. Press the spacebar. This toggles the test field on.
8. Leave setup mode by holding down the SHIFT key and pressing the SETUP key again.
9. Save the selection by pressing the Y key. This starts the diagnostic self-test.

If the system diagnostic test doesn't find any errors, a flashing pattern should appear on the screen.

If it does find an error, the screen will blank and an error code will appear in the lower-right corner of the display. Replace the logic PCB.

Table D-2 lists and describes the system diagnostic test error codes.

Table D-2 System Diagnostic Test Error Codes

Error Message	Error Type
0	Buffer RAM, IC 0
1	Buffer RAM, IC 1 (if memory is expanded)
9	EAROM
R	Row Buffer
K	No initialization on power-up
A	Modem, RTS to CTS
C	Modem, DTR to DCD
E	AUX Ready to AUX RTS
P	Control PROM
Z	8031 processor
X	MODEM port loopback
Y	AUX port loopback

Caution--If you save the ON test parameter, turn off the power, and remove the test connectors, an error condition will result the next time someone turns on the terminal. Remember to default the terminal before returning it to the user.

Follow these steps to stop the system diagnostic test:

1. Hold down the space bar until the flashing pattern stops.
2. Turn the terminal off.
3. Remove the test connectors. Default the terminal.

System Diagnostic Test Connector Definitions--The diagnostic self-test connectors for both the MODEM and the AUX ports are made from 25-pin, male, D-type connectors. (You can find information to order ready-made connector sets under Parts List on page D-10.)

Connect these pins:

MODEM Port	AUX Port
Pin 2 to Pin 3 (TxD to RxD)	Pin 2 to Pin 3 (TxD to RxD)
Pin 4 to Pin 5 (RTS to CTS)	Pin 6 to Pin 20 (DSR to DTR)
Pin 8 to Pin 20 (DCD to DTR)	

Transmit/Receive Communication Port Test

This test transmits data between the MODEM and AUX ports. If either port doesn't receive or recognize the data from the other port, an error code will appear on the screen.

Follow these steps to perform the test:

1. Turn off the terminal.
2. Install the communication port test cable on the AUX and MODEM ports (see page D-5 for a cable definition).
3. Turn on the terminal.
4. Hold down the SHIFT key, then press the SETUP key.
5. Press the cursor DOWN key until the TEST parameter appears on the bottom line of the screen.
6. Press the cursor LEFT key once. The cursor highlights the TEST field.
7. Press the spacebar. This toggles the test field on.
8. Leave setup by holding down the SHIFT key and pressing the SETUP key again.
9. Save the selection by pressing the Y key. This starts the communications port test.

If the communication port test doesn't find any errors, a flashing test pattern should appear on the screen.

If the communication port test does find an error, the screen will blank and an error code will appear in the lower-right corner of the display. Replace the logic PCB. Table D-3 lists and describes the error codes.

Table D-3 Transmit/Receive Communication Port Test Error Codes

Error Message	Error Type
W	Xmit/Rcv error, MODEM to AUX
Z	Xmit/Rcv error, AUX to MODEM

Note--Error messages listed on other tables may appear when this test runs, but most errors will be those listed above.

Caution--If you save the ON test parameter, turn off the power, and remove the test connectors, an error condition will result the next time someone turns on the terminal. Remember to default the terminal before returning it to the user.

Follow these steps to stop the test:

1. Hold down the SETUP key until the flashing pattern stops.
2. Turn the terminal off.
3. Remove the test cable. Default the terminal.

Transmit/Receive Communication Port Test Cable Definitions--The transmit/receive communication port test cable requires two 25-pin, male, D-type connectors, and wire to connect pins on each connector and to connect the two connectors together. (You can find information to order ready-made cables under Parts List on page D-10.)

Connect these pins:

MODEM Port (DTE)		AUX Port (DCE)
Pin 2 (TxD)	to	Pin 2 (RxD)
Pin 3 (RxD)	to	Pin 3 (TxD)
Pins 4 to 5		Pins 6 to 20
Pins 8 to 20		

Keyboard Function Test

The keyboard function test checks the keyboard.

Note--The keyboard function test does not test the following keys: SHIFT, FUNCT, CAPS LOCK, SETUP, BREAK, or CTRL. If you press ENTER, the terminal will return to the system diagnostic test. Pressing function keys F1 through F16 will change attributes on portions of the test screen.

Follow these instructions to perform the keyboard test:

1. Start the system diagnostic test described on page D-2.
2. Hold down the space bar until the test pattern stops flashing.
3. Hold down the CTRL key, then press the A key until you see the screen in Figure D-1.
4. Find the bottom line of "m"s. Press the letter keys that you are testing, and watch the letters change in the middle of the bottom line.

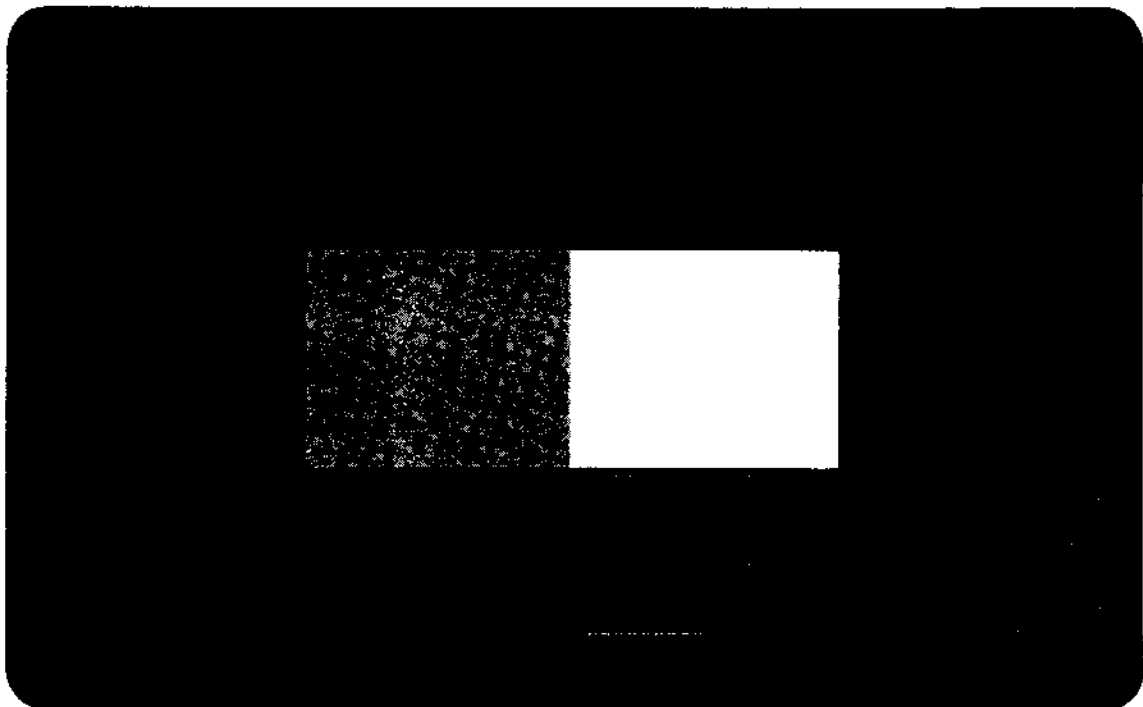
If the letter keys in question don't work, replace the keyboard PCB.

If the letters do change during the test, but fail to respond during normal operation, check the logic PCB or the computer.

Follow these steps to stop the test:

1. Press the SETUP key until the flashing pattern stops.
2. Turn the terminal off.
3. Remove the test connectors. Default the terminal.

Figure D-1 Keyboard Function Test Pattern



Attribute/Character Font Test

This test allows you to check all the attributes and the character font.

Follow these steps to perform the test:

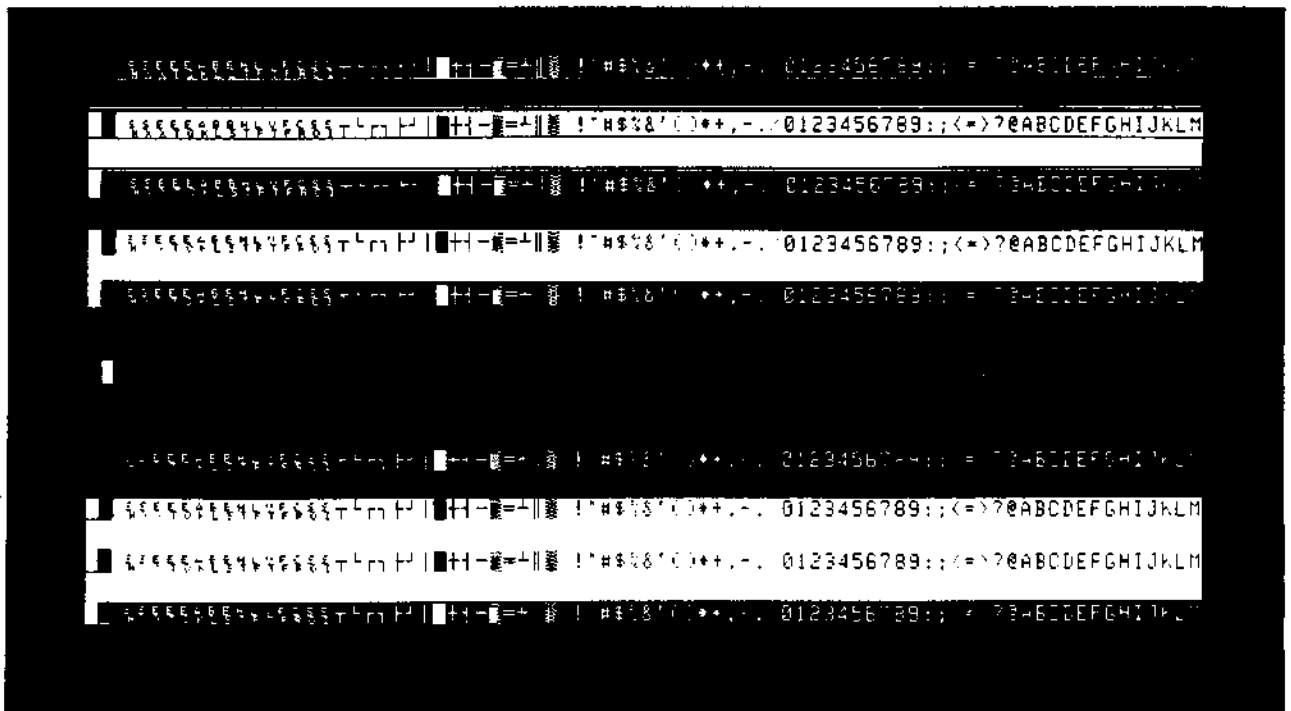
1. Start the system diagnostic test described on page D-2.
2. Hold the SETUP key down until the test pattern stops flashing.
3. Hold the CTRL key down, then press the A key until you see the screen in Figure D-2.
4. Look for the following features:

Attributes: Normal, Blank, Blink, Underline, Dim, and Reverse

A full character set

If one or more of the features doesn't appear, replace the logic PCB.

Figure D-2 Attribute/Character Font Test Pattern



Follow these steps to stop the test:

1. Press the SETUP key until the flashing pattern stops.
2. Turn the terminal off.
3. Remove the test connectors. Default the terminal.

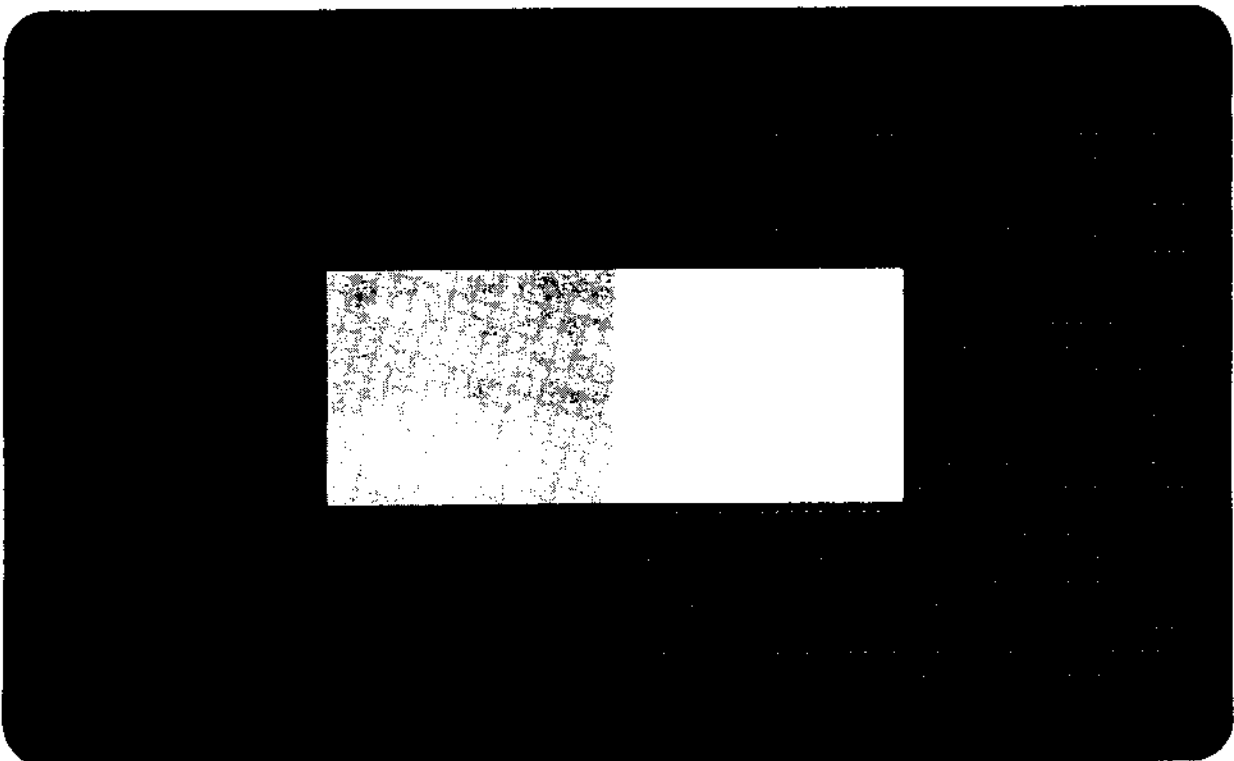
ALIGNMENT AND ADJUSTMENT

This terminal has two new test patterns, which you can call to align the display more accurately and quickly: Pattern M and Pattern O.

Pattern M

Pattern M helps you detect and correct linearity, brightness, and focus (see Figure D-3). This pattern is an 80-column display of characters. Two blocks in the center of the pattern indicate brightness: dim and normal.

Figure D-3 Pattern M



Pattern 0

Pattern 0 helps you detect and correct pincushion, tilt, centering, and size problems (see Figure D-4). This pattern is a full-reverse, normal brightness display in 80-column format. Two pairs of parallel lines cross in the center, making four quadrants. Two additional vertical lines, one on either side of the pattern, indicate brightness intensity levels.

Note--You can verify the display tolerances using a display reticle, available from WYSE, Part No. 09-001-03. Instructions to use the reticle are included with it.

Figure D-4 Pattern 0

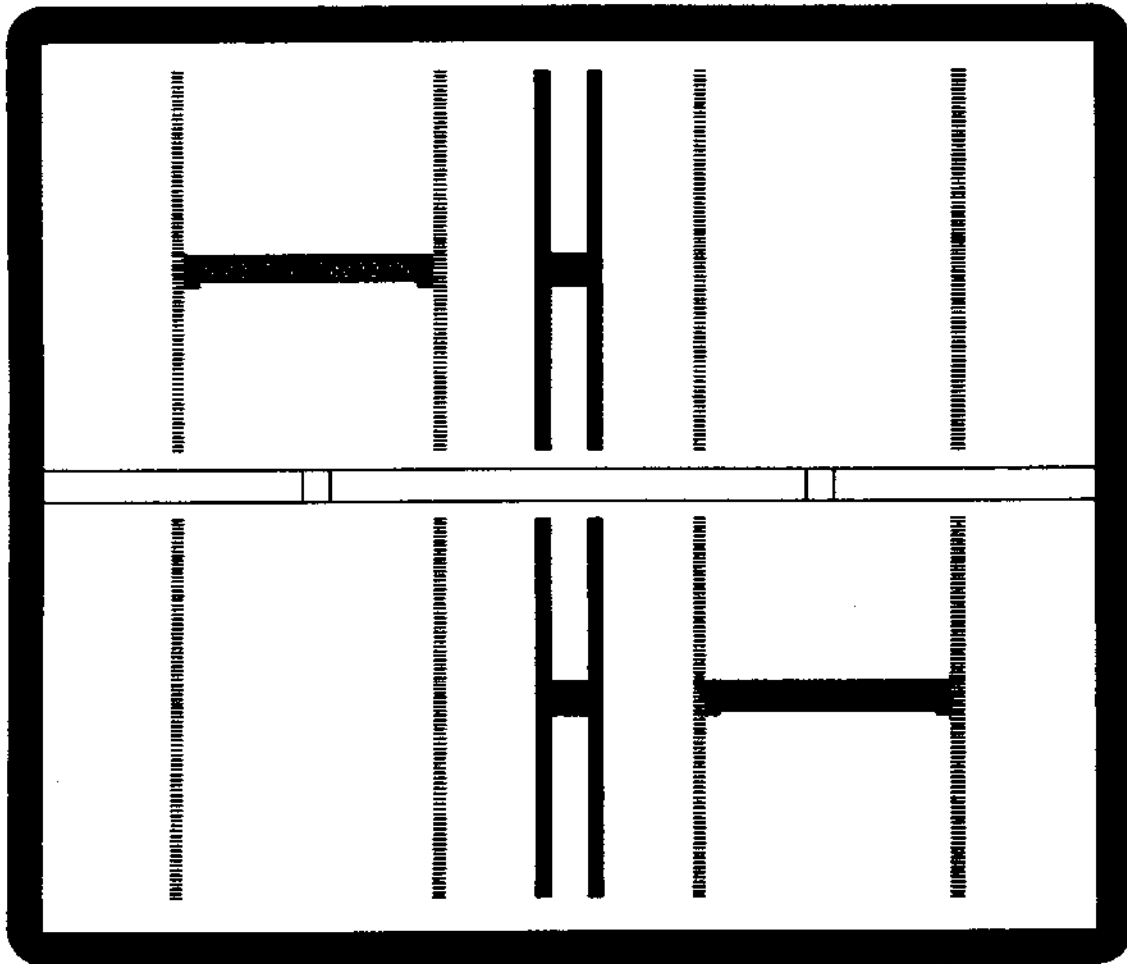


Table D-4 lists adjustments, display problems, and the pattern that is best suited to make the adjustment.

Table D-4 Test Pattern Problems and Adjustments

Test Pattern	Display Problems	Adjustments
M	Letters at the top of the display aren't the same height as those at the bottom of the display	Linearity
M	Fuzzy letters	Focus
M	Too bright; too dim; raster scan lines show	Brightness
O	Too short or too tall	Height
O	Too wide or too narrow	Width
O	Not centered	Centering
O	Not level	Yoke Lock
O	Pincushioning, barreling, crooked edges, corners sag or move out of tolerance	Display magnets

PARTS LIST

The WY-50+ contains three new assemblies that differ from the standard WY-50 terminal: the Logic PCB, the Monitor/Power Supply PCB, and the Amber CRT. The terminal also comes with test connectors and cables. You can order all other replaceable units with the spare part numbers assigned to the WY-50.

Part Number	Description
840293-01	WY-50+ Logic PCB
99-019-02	WY-50+ Monitor/Power PCB
780026-01	WY-50+ Amber CRT
94-0233-01	WY-50+ System Diagnostic Test Connector Set
94-0238-01	WY-50+ Transmit/Receive Comm Port Test Cable
09-001-03	WY-50+ Display Reticule

SCHEMATICS

See Appendix C, "Schematics," to find schematic diagrams of the WY-50+ Logic PCB and Monitor/Power Supply PCB.

INDEX

A

- Address Decoder, 6-5
- Adjustment
 - display, 4-4, D-8, D-10
 - display magnets, 4-8, D-10
 - focus, 4-5, D-8
 - height, 4-5, D-10
 - linearity, 4-5, D-8
 - sub-brightness, 4-8
 - width, 4-6, D-10,
 - yoke lock, 4-6, D-10
- Alignment
 - display, 4-4, D-8, D-10
- Altitude
 - operational range, A-3
- Attribute Bit Assignments, 6-19
- Attribute/Character Font Test, D-6
- Attribute Controller, 6-19
- Attribute Decoding Logic, 6-6
- Attribute Latches, 6-7
- Attributes
 - video, A-1
- Auxiliary Port, 6-16
 - handshake, A-3
- Auxiliary
 - baud rate, A-2

B

- Bandwidth
 - video, A-1
- Baud Rate
 - auxiliary port, A-2
 - MODEM port, A-2
- Bidirectional Bus Driver, 6-6
- Bit Assignments
 - attribute, 6-19
- Bit Length
 - MODEM port, A-2
- Blanking
 - horizontal, 6-1
 - vertical, 6-1

C

- Cathode Ray Tube, 6-1
- Character, 6-7
 - set, A-1
- Character Cell, 6-19
- Character Generator, 6-7

Character Matrix, 6-1, A-1
Circuits
 row decoder/key closure detection, 6-14
 video clock, 6-17
Column Decoder, 6-14
Command Latch, 6-7
Communications Mode, A-2
Compatible Terminal Mode, A-3
Component Diagram
 monitor/power supply, 4-1
Component Identification
 x-y axis, 6-2
Connections for
 TCOM Test Plug, 3-2
Control
 attribute, 6-18
Controller
 CRT, 6-5
 programmable video, 6-18
 video, 6-17
Converters
 DC to AC, 6-9
 level (EAROM), 6-7
 level (EIA to TTL), 6-8
 level (TTL to EIA), 6-8
 parallel to serial, 6-7
CPU Clock Generator, 6-8
CRT, 1-4, 6-1, 6-11
CRT Controller, 6-5
Cursor
 type, A-2

D

DC to AC Converter, 6-9
Decoder
 address, 6-5
 column, 6-14
Diagnostic Self-Test, 3-2, D-1
Disable, 6-1
Display
 color, A-1
 capacity, 1-6
 margins, size of, 4-3
 measurement, tools required, 4-3
 RAM, 6-5
 specification, 4-3
 WY-50+, A-1, D-1
Display Alignment, 4-4, D-8, D-10
 tools required, 4-4
Display Magnets
 adjustment, 4-8, D-10
 screen areas affected by, 4-9
Domestic Power Requirements, 2-8
Dot Stretcher, 6-7

Doubler
voltage, 6-8

Driver
bidirectional bus, 6-6
line, 6-14
video, 6-7, 6-11

E

Environmental Considerations
air flow, 1-7
temperature, 1-7

Error Messages

power-on self-test, 3-1, D-1
system diagnostic test, D-3
transmit/receive communication port test D-5

F

Field, 6-1
Flyback Transformer, 6-11
Focus Adjustment, 4-5
Frequency
horizontal, A-1
Fuse Requirements, 1-8

G

Generator
character, 6-7, 6-19
CPU clock, 6-8
TCOM clock, 6-8
video clock, 6-7

H

Handshake
AUX port, A-3
MODEM port, A-2
Height Adjustment, 4-5, D-10
Horizontal Blanking, 6-1
Horizontal Frequency, A-1
Horizontal Oscillator, 6-11
Horizontal-Synchronization Signal
how to check, 3-3
Humidity
operational range, A-3

I

Installation, 1-7
communications cable, 1-8
fuse, 1-8
keyboard, 1-8
power cord, 1-8
printer, 1-8

Interface

- asynchronous, 1-6
- cables, A-2
- communication, 6-16
- keyboard, 6-17
- modem, 1-6
- primary, 1-6
- RS-232C, 1-6

International Power Requirements, 2-8

K

- Key Closure Detection, 6-14
- Key Switch Matrix, 6-14
- Keyboard, 1-4
 - specifications, A-1, A-2
- Keyboard Codes
 - language, A-1
- Keyboard Function Test, D-5
- Keyboard Latch, 6-6

L

Language Keyboard Codes, A-1

Latch

- attribute, 6-7
- character generator address, 6-7
- command, 6-7
- keyboard, 6-6
- low buffer, 6-6
- low order address, 6-6
- memory bus control, 6-6
- row address, 6-6
- row buffer data latch, 6-6
- row buffer diagnostic, 6-6
- Level Converters (EAROM), 6-7
- Level Converters (EIA to TTL), 6-8
- Level Converters (TTL TO EIA), 6-8
- Line Drivers, 6-14
- Linearity Adjustment, 4-5
- Logic
 - attribute decoding, 6-6
- Logic Specifications, A-3
- Low Buffer Latch, 6-6
- Low Order Address Latch, 6-6

M

- Main Switching Power Transformer, 6-9
- Major Replaceable Units
 - WY-50/WY-50+, 2-1
- Materials Needed
 - WY-50/WY-50+ removal and replacement, 2-3
- Matrix
 - character, 6-1
 - key switch, 6-14

Memory
 display, 6-16
 nonvolatile, 6-7, 6-17
 screen, A-2
Memory Bus Control, 6-19
Memory Bus Control Latch, 6-6
Microprocessor
 single component, 6-5
Mode
 communications, A-2
 compatible terminal, A-3
 native, A-3
MODEM Port, 6-16
 baud rate, A-2
 bit length, A-2
 handshake, A-2
 parity bit, A-2
 stop bit, A-2
Multiplexer
 pass-thru, 6-8
 RAM address, 6-5

N

Native Mode, A-3
Net Weight, A-1
Nonvolatile Memory, 6-7

O

Operator Controls
 brightness, 1-8
 power, 1-8
 setup parameters, 1-9
Orientation
 WY-50/WY-50+, 2-1
Oscillator
 horizontal, 6-11
 vertical, 6-11

P

Parallel-to-Serial Converter, 6-7
Parity Bit
 MODEM port, A-2
Pass-Thru Multiplexer, 6-8
in Assignments
 8031, 6-14
Port
 AUX, 6-16
 MODEM, 6-16
Power, A-3
Power Requirements
 how to change, 2-8
Power Supply
 how to adjust, 4-1
 adjustment, tools required, 4-2
 voltages, 6-8

Power Supply Quick-Reference Procedure, 3-3
Power-On Self-Test Error Messages, 3-1, D-1
Problems and Adjustments, 4-4, D-10
PROM, 6-5
Protected Characters, 6-19

R

RAM

display, 6-5
row buffer, 6-6
RAM Address Multiplexer, 6-5
Register
row buffer diagnostic, 6-20
video shift, 6-20
Reverse Video Functions, 6-19
Row Address Latches, 6-6
Row Buffer Data Latch, 6-6
Row Buffer Diagnostic Latch, 6-6
Row Buffer RAM, 6-6
Row Decoder/Key Closure Detection Circuit, 6-14
Row Decoding, 6-14

S

Scan Lines, 6-1
total, A-2
total active, A-2
Schematics, C-1
Screen
format, A-1
memory, A-2
size, A-1
Self-Test
diagnostic, 3-2
power-on, 3-1
Setup Mode, 1-8, 1-9
Single Component Microprocessor, 6-5
Specifications, A-1
display, 4-3
display margins, 4-3
Stop Bit
MODEM port, A-2
Sub-Brightness Adjustment, 4-8
Supply
+12 volt, 6-11
+24 volt, 6-11
+5 volt, 6-11
-12 volt, 6-11
-23 volt, 6-11
Swivel, A-1
System Diagnostic Test, D-2
System Firmware, 1-3

T

- TCOM Clock Generator, 6-8
- TCOM Test Plug, 3-2
- Telecommunications Interfaces, 1-4
- Temperature
 - operational range, A-3
- Terminal
 - clearances, 1-6
 - compatible mode, A-3
 - placement of, 1-6
 - specifications, A-1
- Test Pattern
 - alignment, 4-3, D-8, D-10
 - attribute/character font, D-7
 - Pattern M, D-8
 - Pattern O, D-9
 - problems and adjustments, 4-4, D-10
- Tilt, A-1, D-9
- Tools Needed
 - WY-50/WY-50+ removal and replacement, 2-3, 2-4
- Tools Required for Display Alignment, 4-4
- Tools Required for Display Measurement, 4-3
- Tools Required for the Power Supply Quick Reference Check, 3-8, 4-2
- Tools Required to Check Horizontal Synchronization, 3-9
- Transformer
 - flyback, 6-11
 - main switching power, 6-9
- Transmit/Receive Communications Port Test, D-4
- Troubleshooting Flowchart, 3-3
 - how to use, 3-3
 - WY-50+, D-1

U

- UART, 6-5

V

- Vertical Blanking, 6-1
- Vertical Hold
 - early terminals, 3-9
 - how to adjust, 3-9
- Vertical Oscillator, 6-11
- Video
 - attributes, A-1
- Video Bandwidth, A-1
- Video Clock Generator, 6-7
- Video Drivers and Dot Stretcher, 6-7, 6-11
- Voltages
 - specifications, A-3
 - power supply, 6-8
 - +12 volt supply, 6-11
 - +24.5 volt supply, 6-11
 - +5 volt supply, 6-11
 - 12 volt supply, 6-11
 - 23 volt supply, 6-11

Voltage Doubler, 6-8
VR201, 4-2

W

Width Adjustment, 4-6

WY-50+

Attribute/Character Font Test, D-7
test pattern, D-7

Characteristics, D-1

Display (amber), A-1, D-1

alignment and adjustment, D-8

Keyboard Function Test, D-5

Part Numbers, D-10

Power-On Self-Test, D-1

error messages, D-1

Schematics, C-31, C-33, C-35, D-10

System Diagnostic Test, D-1

error messages, D-3

connector definitions, D-4

Test Patterns

attribute/character font, D-7

Pattern M, D-6, D-8

Pattern O, D-9

problems and adjustments, D-10

Transmit/Receive Communication Port Test, D-4

error messages, D-5

cable definitions, D-5

Troubleshooting, D-1

Y

Yoke Lock Adjustment, 4-6, D-10

Here is the procedure to strap the power for 230 VAC (international):

1. Connect the crimp-on connector with the black wire to the pin marked 230 on the monitor/power supply PCB (see Figure 2-5).
2. Connect the crimp-on connector with no wire, to the pin marked 115 on the monitor/power supply PCB.

This is the procedure to remove and replace the monitor/power supply:

WARNING--High voltage is present. Do not touch the CRT or CRT anode unless you are a qualified service technician.

1. Disconnect the terminal from its AC power source.
2. Remove the four No. 1 Phillips screws holding the CRT cover in place (one screw in each corner).
3. Hold the CRT cover by both ends and pull it off.
4. Disconnect the microprocessor PCB wiring harness.
5. Ground the shaft of the slotted screwdriver on the metal chassis of the terminal. Slip the blade of the screwdriver under the anode cap. Discharge the CRT anode with an insulated slotted screwdriver.
6. Disconnect the brightness pot wiring harness (Figure 2-5).
7. Disconnect the AC power harness (Figure 2-5).
8. Disconnect the filament plug from the neck of the CRT.
9. Disconnect the yoke wiring harness plug.
10. Disconnect the anode cap from the CRT.
11. Remove the four Phillips screws that hold the monitor/power supply PCB to the CRT frame (one in each corner).
12. Slide the PC board out the rear of the CRT frame.

CAUTION--Before you reattach the anode cap to the CRT or the microprocessor PCB wiring harness to the monitor/power supply assembly, discharge the CRT anode again. Because of the capacitive coating inside the CRT, it can recharge itself. The terminal has a common ground. If there is a residual charge and the microprocessor PCB wiring harness is reconnected, it may damage components on that PCB.

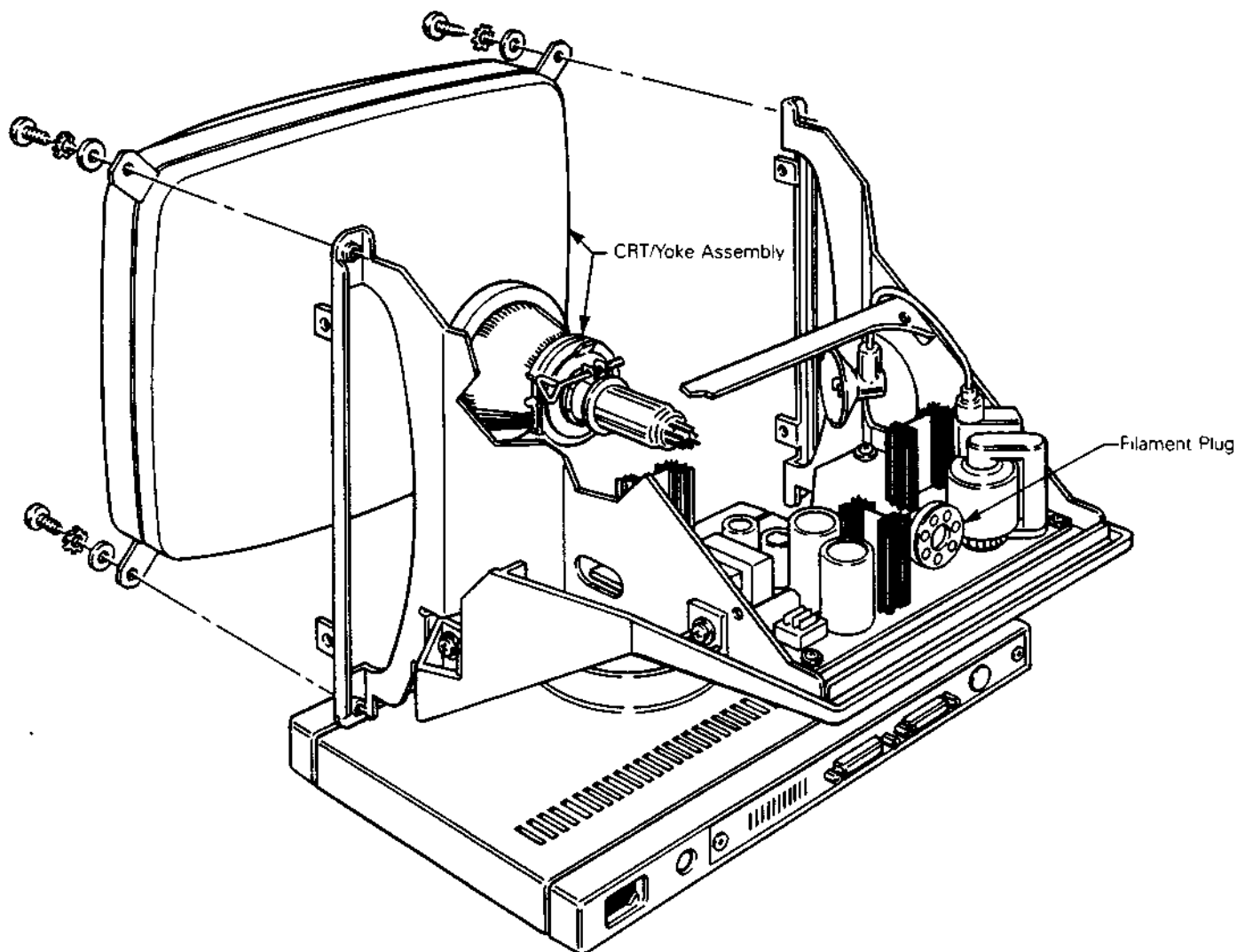
13. Install the monitor/power supply PCB in reverse order from removal.
14. When you replace the monitor/power supply PCB, realign the CRT. See "Theory of Operations," Chapter 6 for alignment information.

CRT/YOKE ASSEMBLY REPLACEMENT

Tools Required:

- No. 1 Phillips screwdriver, 12"
- Slotted screwdriver, 12"

Figure 2-6 CRT/Yoke Assembly



WARNING--High voltage is present. Only qualified service personnel should service this device.

This is the procedure for replacing the CRT/yoke assembly:

1. Disconnect the terminal from its AC power source.
2. Remove the four Phillips screws that hold the CRT cover in place (one screw in each corner).
3. Hold the CRT cover by both ends and pull it off.
4. Discharge the CRT anode with an insulated standard screwdriver.
5. Disconnect the anode cap from the CRT.
6. Disconnect the filament plug from the neck of the CRT.
7. Disconnect the yoke wiring harness plug.
8. Disconnect the microprocessor PCB wiring harness.

WARNING--High voltage is present. Do not touch the CRT or CRT anode unless you are a qualified service technician.

9. Remove the four Phillips screws that hold the bezel to the CRT. Remove the bezel.

WARNING--When you hold the CRT, make sure the screen faces the floor and the neck faces the ceiling. Don't bend over the CRT. If it implodes, the neck will shoot through the CRT screen. If the neck breaks off, it could fly in your face.

10. Remove the four Phillips screws, and assorted hardware at each corner of the CRT face that hold the front of the CRT/yoke assembly in the chassis.
11. Remove the CRT/yoke assembly from the chassis.

CAUTION--Before you reattach the anode cap to the CRT or the microprocessor PCB wiring harness to the monitor/power supply assembly, discharge the CRT anode again. Because of the capacitive coating inside the CRT, it may recharge itself. The terminal has a common ground. If there is a residual charge and the microprocessor PCB wiring harness is reconnected, it may damage components on that PCB.

12. Install the CRT/yoke assembly in the reverse order from removal.
13. When you replace the monitor/power supply PCB, you must realign the CRT. See "Theory of Operations," Chapter 6 for alignment information.

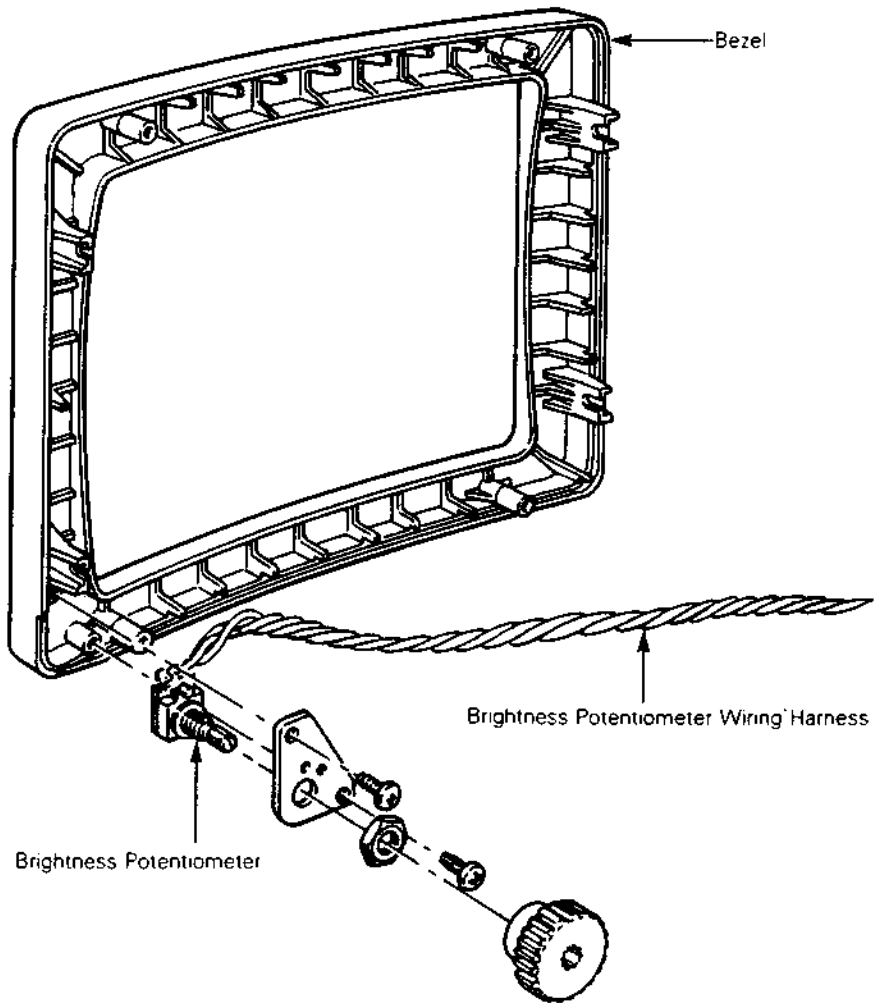
BRIGHTNESS POTENTIOMETER REPLACEMENT

Tools Required:

No. 1 Phillips screwdriver, 12"

Tie wraps

Figure 2-7 Operator Brightness Potentiometer



1. Disconnect the terminal from its AC power source.
2. Remove four No. 1 Phillips screws holding the CRT cover in place.
3. Hold the CRT cover by both ends and pull it off.
4. Disconnect the brightness potentiometer wiring harness from the monitor/power supply PCB.

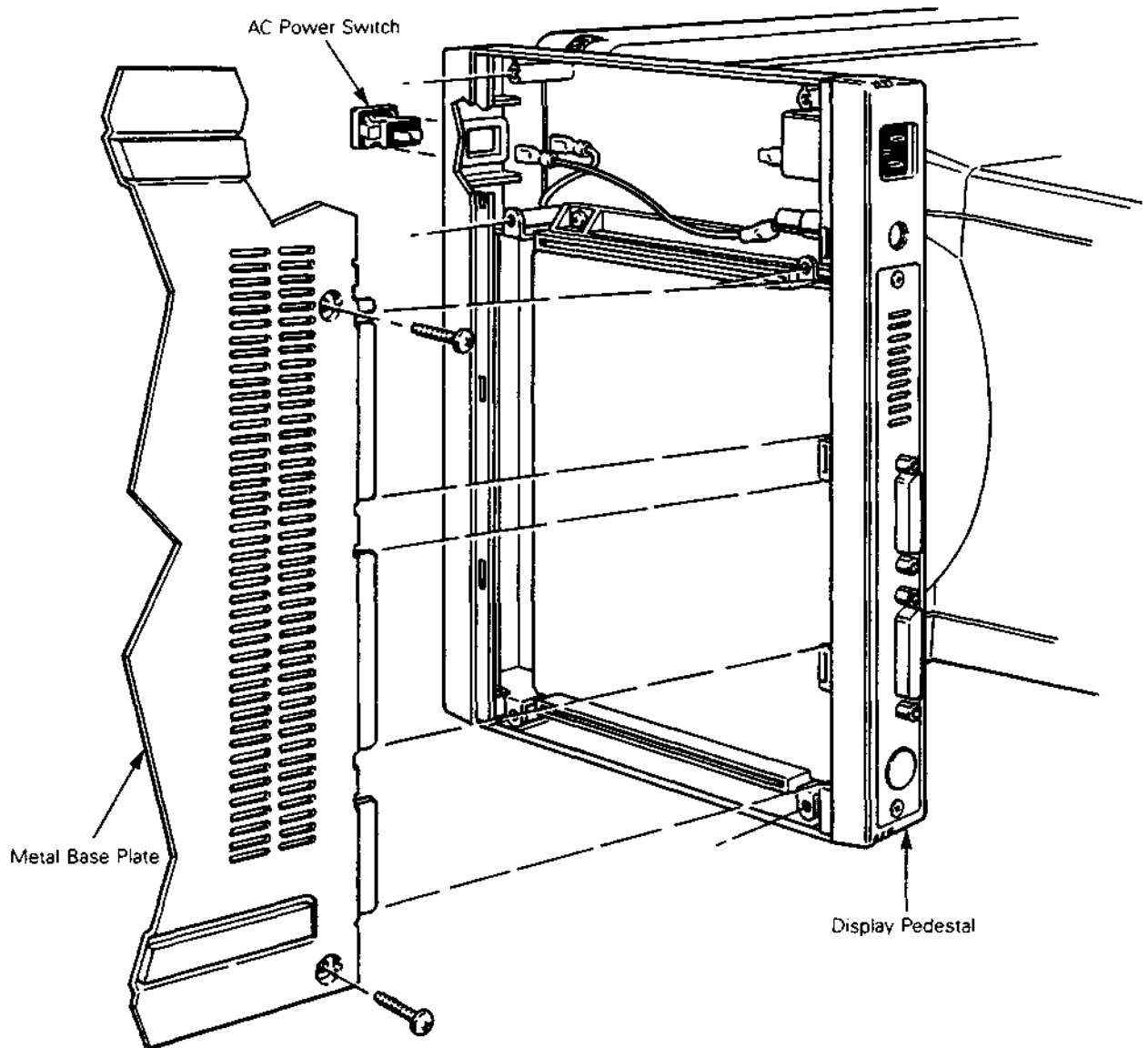
5. Clip the tie wraps holding the brightness potentiometer harness to the chassis.
6. Remove four No. 2 Phillips screws that hold the CRT bezel.
7. Remove the bezel.
8. Remove two No. 1 Phillips screws that hold the brightness potentiometer to the bezel.
9. Install the new potentiometer.
10. Assemble the CRT in the reverse order from disassembly.

AC POWER SWITCH REPLACEMENT

Tools Required:

No. 1 Phillips screwdriver
Tie wraps

Figure 2-8 AC Power Switch Removal



1. Disconnect the terminal from its AC power source.
2. Lay the terminal on its side.
3. Remove six No. 1 Phillips screws that hold the metal base plate to the display pedestal.
4. Lift the metal base plate free.

CAUTION--The metal base plate tabs can break the display console plastic if they aren't handled carefully.

5. Disconnect the slip-on connectors from the rear of the switch.
6. Push the power switch out of the front of the display pedestal. This is a snap-in switch; you may have to squeeze the snaps to remove it.
7. Install the new switch.
8. Assemble in the reverse order from disassembly.

MICROPROCESSOR PCB REPLACEMENT

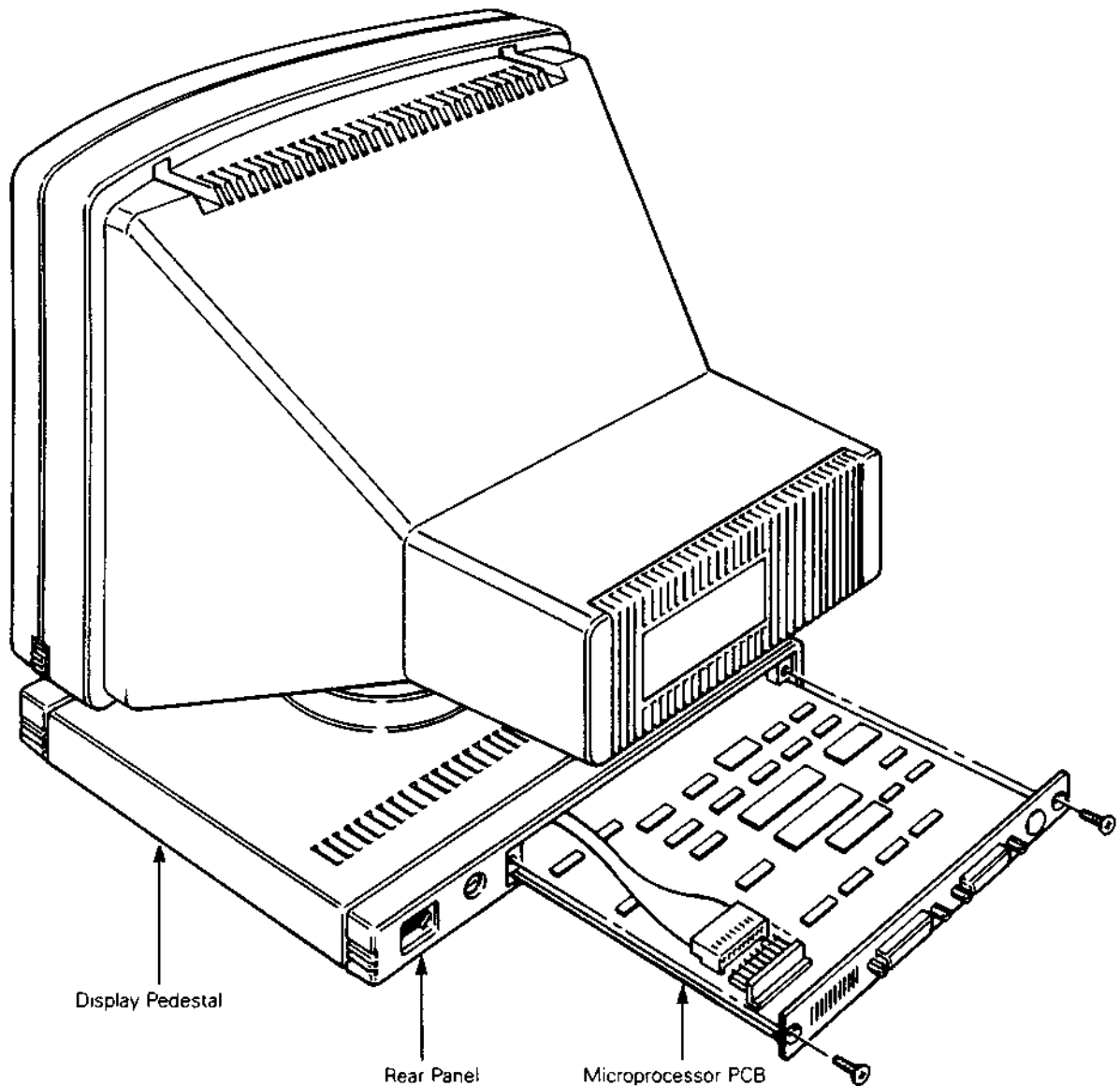
Tools required:

No. 1 Phillips screwdriver

See Figure 2-9.

1. Disconnect the terminal from its AC power source.
2. Disconnect the keyboard from the rear panel.

Figure 2-9 Microprocessor PCB Removal



3. Disconnect the printer and modem communications cables.
4. Remove two No. 1 Phillips screws holding the rear panel in place on the display pedestal.
5. Pull the rear panel 2 inches out of the unit.
6. Disconnect the monitor/power supply cable from the microprocessor PCB (Figure 2-9).
7. Remove the microprocessor PCB.

8. Install the new microprocessor PCB.
9. Assemble in the reverse order of disassembly.

3 TROUBLESHOOTING

INTRODUCTION

This terminal is easy to troubleshoot. Chapter 3 describes its self-test, diagnostics, and hardware problems. It also explains how to fix problems at the board level.

POWER-ON SELF-TEST

Note--Self-test returns the terminal to default values.

The power-on self-test checks the terminal's RAM, CPU, and EAROM. The RAM test is a Write/Read test that checks all 4K of RAM. The CPU test checks 128 bytes of RAM in the CPU as well as the data and address lines. The EAROM test calculates the EAROM's checksum and compares it to the checksum bit stored in the ROM.

Each time a user turns the terminal on, the power-on self-test executes. If the test detects an error, an error message appears in the lower right-hand corner of the display. Table 3-1 defines these error messages. If any of these messages do appear, replace the microprocessor board.

Table 3-1 Error Message Definitions

Error Message	IC Location	Definition
0	1E	RAM failure in the first 2K block
1	1D	RAM failure in the second 2K block
P	1J	Control PROM error
R	3F or 1C	Display row buffer error
9	6J (TTL PCB) 5J (Gate Array PCB)	EAROM checksum error
X	NA	MODEM port error
Y	NA	AUX port error
Z	3K	CPU failure

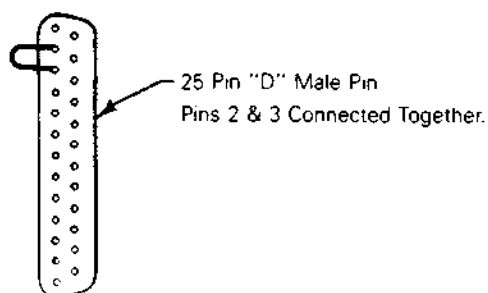
DIAGNOSTIC SELF-TEST

The you can start the terminal diagnostic self-test routine in setup. This test routine includes the power-on self-test and the telecommunications circuitry tests. Two special jumpers allow the communications test to function (see Figure 3-1 for jumper definitions). After you start it, the diagnostic test continues to run until you stop it. If the test detects an error, an error message appears in the lower right-hand corner of the CRT (see Table 3-1 for error message definitions).

Follow these steps to start the diagnostic self-test:

1. Plug in the terminal.
2. Install a test jumper on both the AUX and MODEM ports.
3. Turn the power switch ON.
4. Hold down SHIFT, then press SETUP.
5. Press ESC. This returns the terminal to default parameters.
6. Press ▼ key until the TEST parameter appears on the bottom row of the screen.
7. Press ► key until the cursor highlights the TEST parameter field.
8. Press the spacebar. This toggles the TEST parameter field to ON.
9. Start the self-test by holding SHIFT, while you press the SETUP and y keys. The test runs until you stop it.
10. To stop the self-test, hold down SHIFT, then press SETUP again, then remove the jumpers.

Figure 3-1 Test Jumper



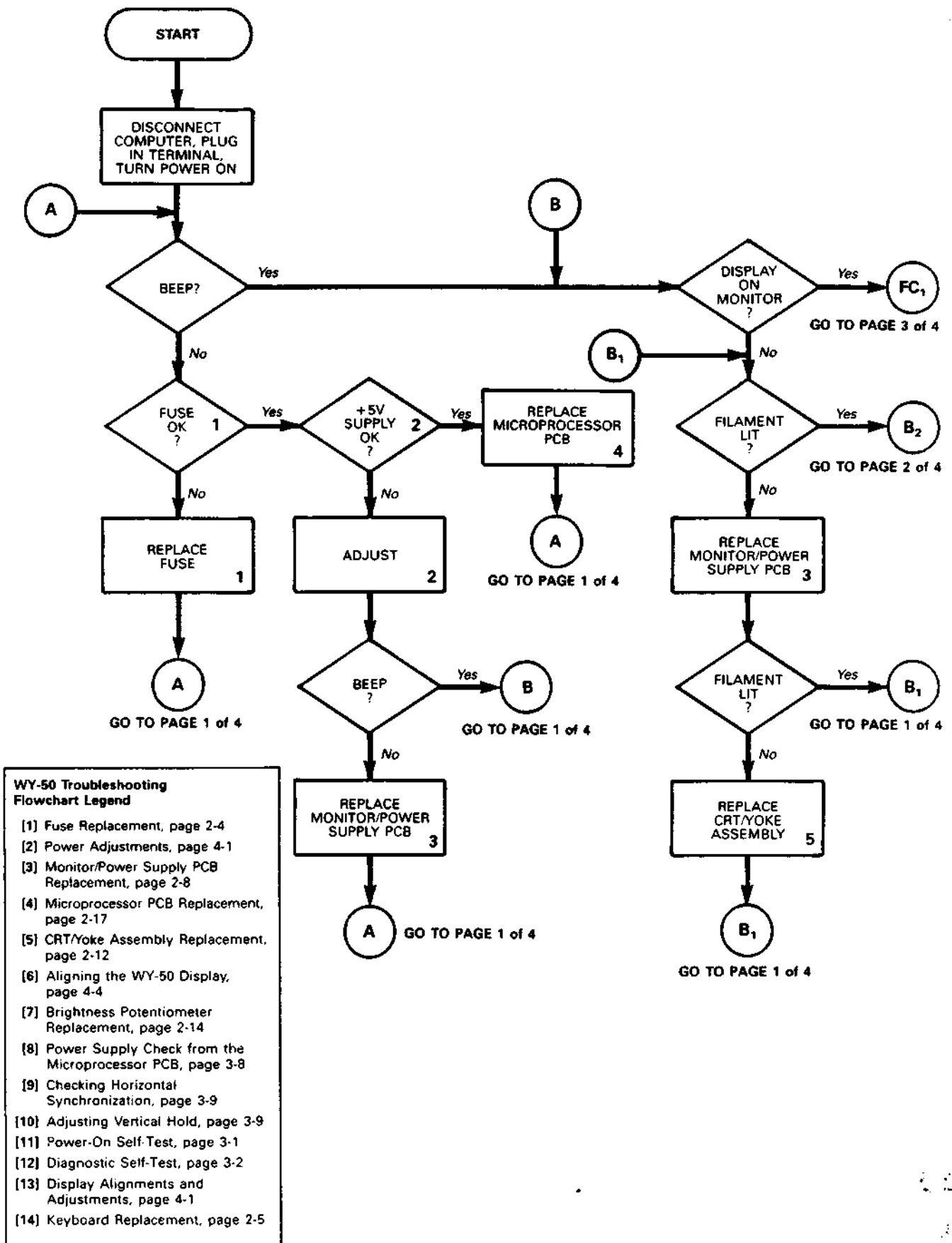
TROUBLESHOOTING

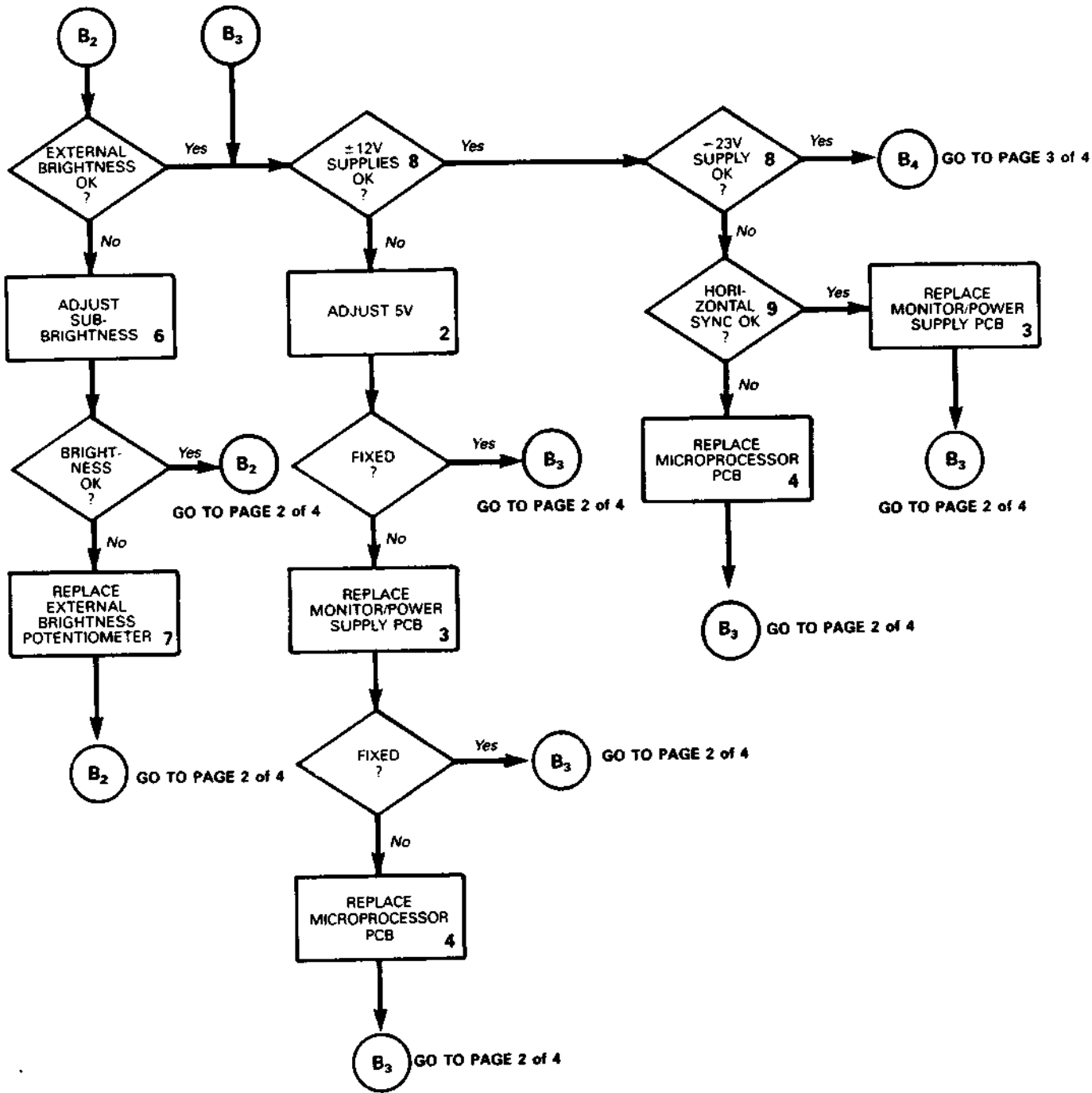
This section contains the troubleshooting flowchart, a power supply quick-reference procedure, a procedure to check the horizontal-synchronization signal, and a vertical-hold procedure for revision A monitor/power supply PCBs.

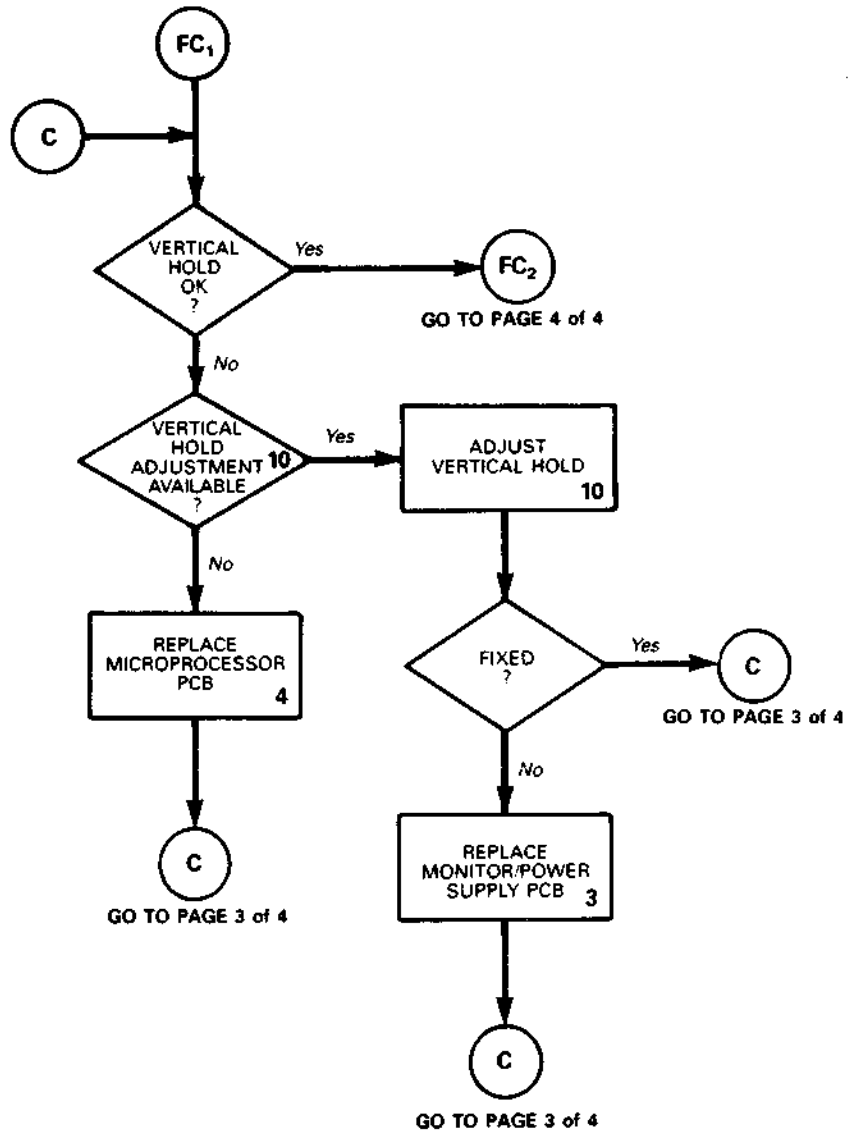
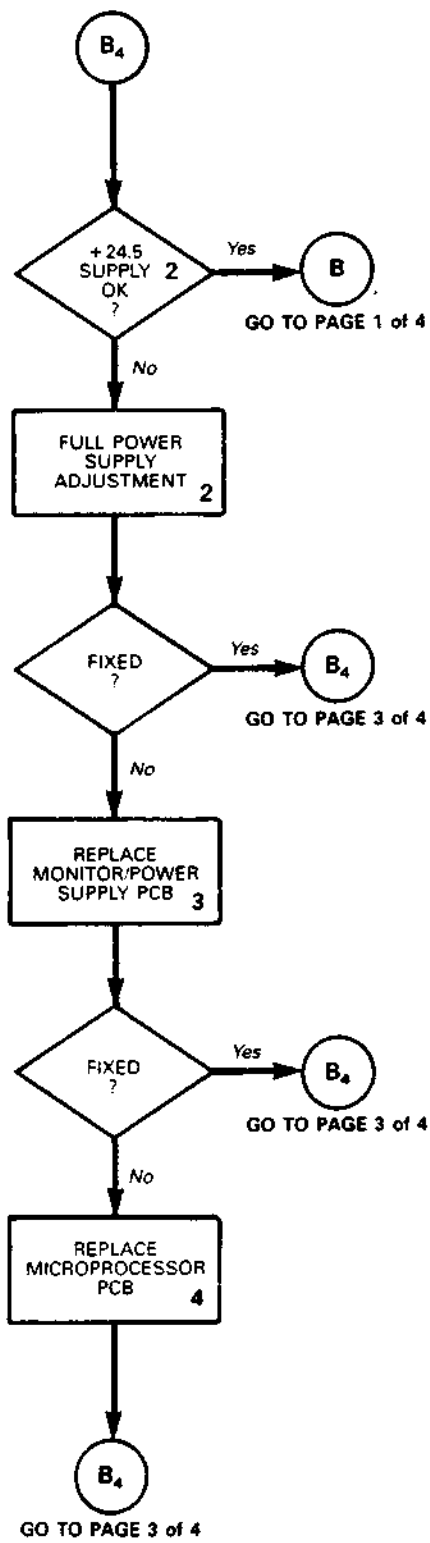
Troubleshooting Flowchart

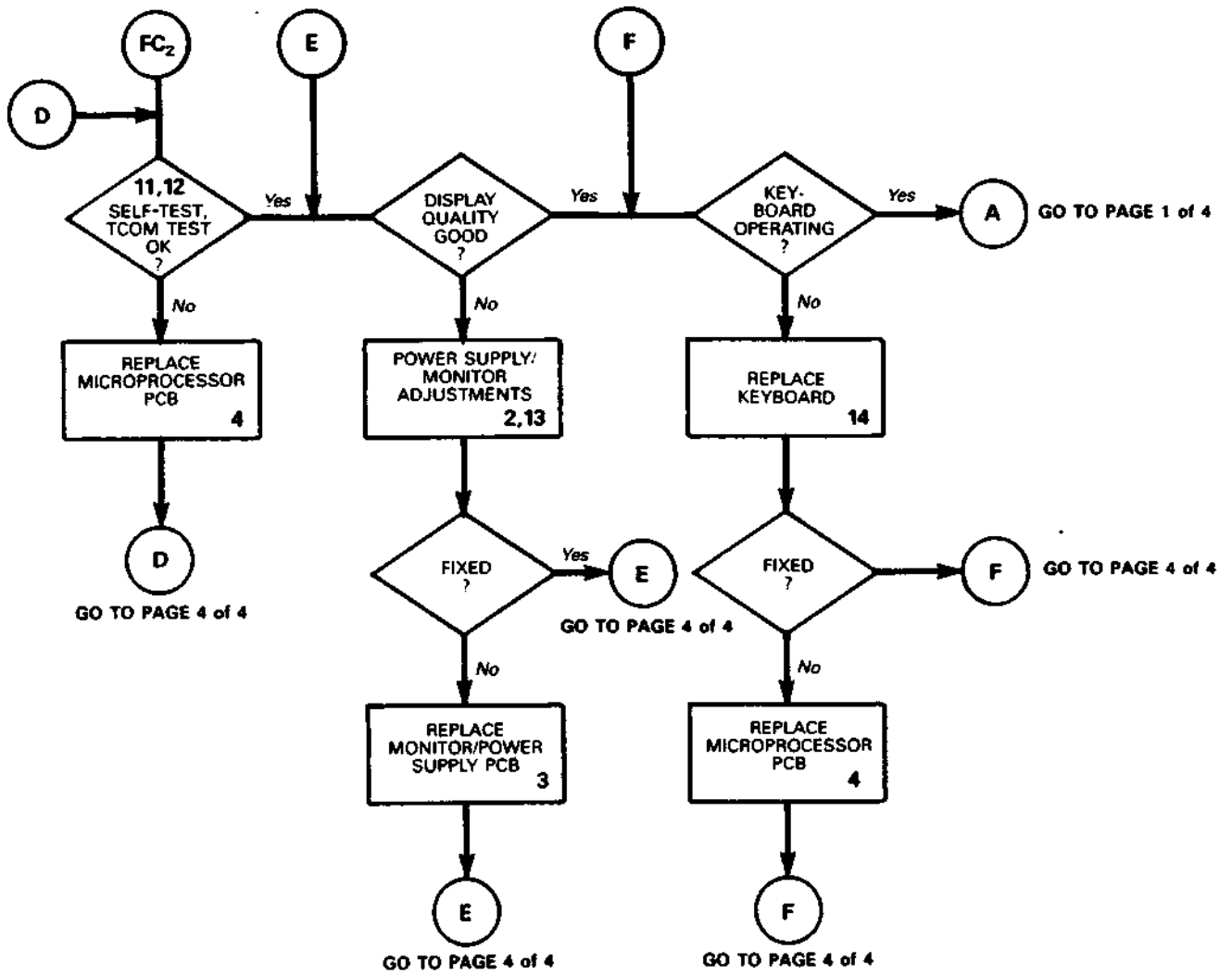
The troubleshooting flowchart can help you locate faulty modules. Start at the beginning, and follow the questions in the decision boxes. If any step requires a special procedure, you can find a reference number next to the block. We have keyed the reference numbers that appear in the flowchart to the legend at the bottom of the page. If the flowchart doesn't cover the symptoms the terminal shows, look at "Theory of Operations," Chapter 6 and Appendix C, "Schematics."

Figure 3-2 Troubleshooting Flowchart







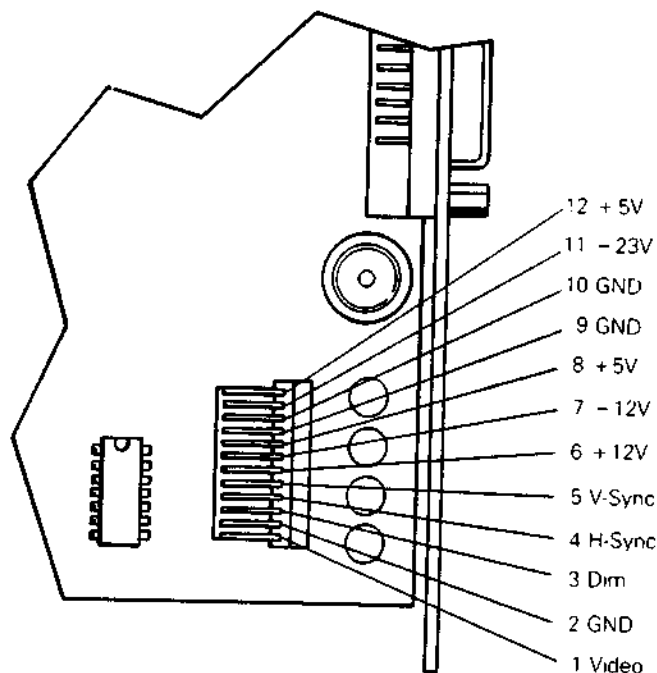


Power Supply Check from the Microprocessor PCB

You can quickly isolate problems if you check voltages on the microprocessor board. If all voltages at connector J4 are within tolerance, the microprocessor board is at fault (Figure 3-3). If they aren't within tolerance, go to "Adjustments and Alignments," Chapter 4, and adjust the power supply. If you can't adjust the power supply to meet the tolerances, you may need to replace it.

For quick reference, you can check four of the five power supply voltages on the microprocessor board without opening the cover on the monitor (the fifth, +24.5V, never reaches the microprocessor PCB).

Figure 3-3 Power Connector at the Microprocessor PCB



Tools required:

Voltmeter, Phillips screwdriver

1. Turn the monitor OFF.
2. Remove two No. 1 Phillips screws holding the rear panel in place. Pull the microprocessor PCB two inches out of the unit.
3. Find connector J4 on the microprocessor board.
4. Attach one lead from the DVM to J4-10, ground.

5. Turn the monitor on.
6. Check the +5V power supply on J4-12. Look for +5V, ± 2 percent. See the troubleshooting flowchart if the signal isn't within tolerance.
7. Check the +12V power supply on J4-6. Look for +12V, ± 5 percent. See the troubleshooting flowchart if the signal isn't within tolerance.
8. Check the -12V power supply on J4-7. Look for -12V, ± 5 percent. See the troubleshooting flowchart if the signal isn't within tolerance.
9. Check the -23V power supply on J4-11. Look for -23V, ± 5 percent. See the troubleshooting flowchart if the signal isn't within tolerance.

Checking Horizontal Synchronization

Checking the horizontal synchronization helps determine which PCB to replace: either the microprocessor PCB or the monitor/power supply PCB.

Tools Required:

Oscilloscope

1. Find connector J4 on the microprocessor PCB (see Figure 3-3).
2. Touch J4-4 with the oscilloscope probe. Look for a 44 μ s, ± 10 percent, pulse, 4.8 to 5Vp-p. If the horizontal synchronization signal is within tolerance, replace the monitor/power supply PCB. If it isn't within tolerance, replace the microprocessor PCB. See the troubleshooting flowchart.

Adjusting Vertical Hold

On a few early terminals, the monitor/power supply PCB has an extra potentiometer to adjust vertical hold. You can find it next to HGT, VR302, directly below the anode cap. If you need to adjust it, this is the procedure:

1. Display a full screen of E's (see "Adjustments and Alignments," Chapter 4).
2. Turn the vertical hold potentiometer until the display rolls in one direction.
3. Turn the vertical hold potentiometer until the display rolls in the other direction.

4. Center the potentiometer; the display should be steady. If it isn't steady, see the troubleshooting flowchart.

4 ADJUSTMENTS AND ALIGNMENTS

This chapter describes adjustments and alignments for the terminal. In particular, it discusses power adjustments, and monitor alignment and adjustments. Before you align the monitor, check the power supply voltages. Adjust them if they aren't in tolerance. You should complete a full monitor/power supply adjustment and alignment whenever you replace the monitor/power supply PCB or the CRT/yoke assembly.

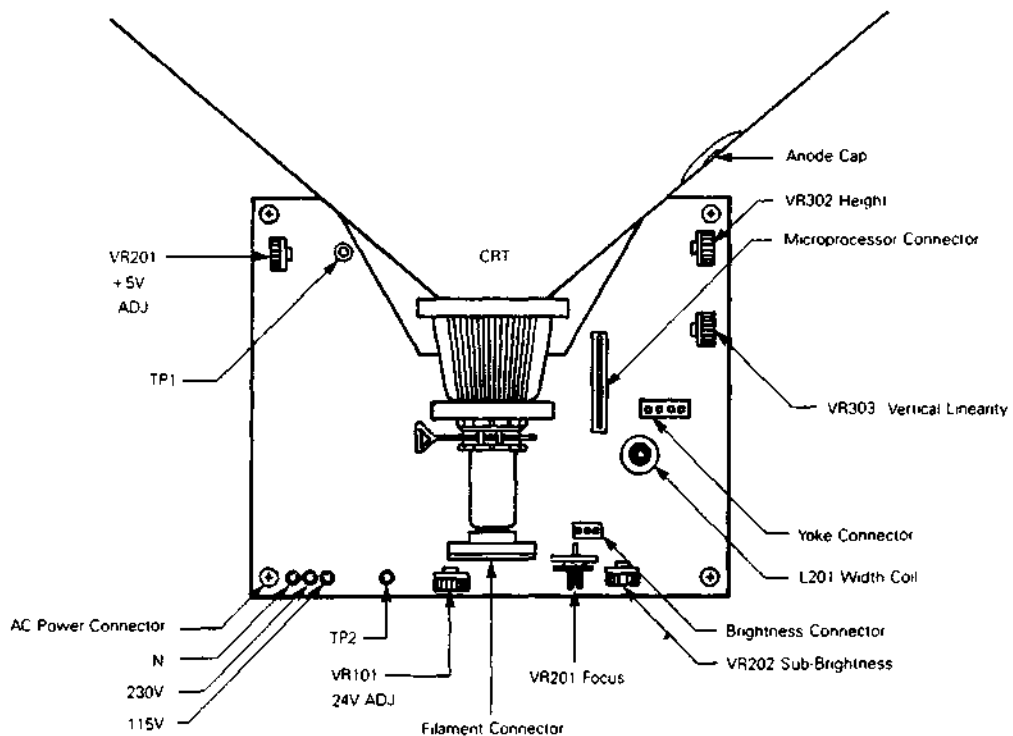
WARNING--CRT/yoke has high voltages. Only qualified service personnel should adjust it.

POWER ADJUSTMENTS

The monitor/power supply PCB provides all of the voltages for the microprocessor PCB (+5V, -12V, +12V, and -23V). It also supplies +24.5V for the CRT monitor. You can adjust the +24.5V and +5V supplies.

Note--You can find the locations of all components and test points referred to in this chapter in Figure 4-1.

Figure 4-1 Monitor/Power Supply Component Layout



Tools Required:

No. 1 Phillips screwdriver
voltmeter
Nonconductive alignment tool

1. Turn the terminal OFF.
2. Unplug the terminal from its power source. If communications cables are attached to the back of the terminal, detach those too.
3. Remove the four No. 1 Phillips screws that hold the CRT cover in place (one in each corner).
4. Gently pull the CRT cover up and away from the terminal.
5. Plug the terminal into a power source.
6. Turn the terminal ON.
7. Check the +5V supply at TP1 on the monitor/power supply PCB, using the chassis as ground.

Note--The monitor/power supply PCB holds two VR201 components. Look for the VR201 in the left front of the PCB to adjust the power supply voltages.

8. Adjust VR201 until the digital voltmeter reads +5V ± 2 percent.
9. Check the +24.5V supply at TP2 on the monitor/power supply PCB, using the chassis as ground.
10. Adjust VR101 until the digital voltmeter reads +24.5V ± 2 percent.

Note--If you can't bring either the +5V supply or the +24.5V supply into tolerance, see "Troubleshooting," Chapter 3.

11. Check the -12V supply at the gray wire on JP3.7 (microprocessor board wiring harness). The digital voltmeter should read -12V ± 5 percent. If the -12V supply is not within tolerance after you have adjusted the +5 and +24.5V supplies, see "Troubleshooting," Chapter 3.
12. Check the +12V supply at the blue wire on JP3.6 (microprocessor board wiring harness). The digital voltmeter should read +12V ± 5 percent. If the +12V supply is not within tolerance after you have adjusted the +5 and +24.5V supplies, see "Troubleshooting," Chapter 3.
13. Check the -23V supply at the purple wire on JP3.11 (microprocessor board wiring harness). The digital voltmeter should read -23V ± 5 percent. If the -23V supply is not within tolerance after you have adjusted the +5 and

+24.5V supplies, see "Troubleshooting," Chapter 3.

14. Check to see if the display needs alignment. See "Does the Terminal Meet the Display Specification?" If it doesn't need alignment, turn the terminal OFF, unplug it, and replace the top cover.

If the display does need alignment, continue to "Aligning the Terminal Display."

Does the Terminal Meet the Display Specification?

Before you adjust the display on the monitor, measure the screen margins and study the display. Use the following procedures:

Note--If you have just finished checking and adjusting the power supplies, go to step 4.

Tools Required:

Millimeter ruler
Nonconductive alignment tool

1. Turn the terminal OFF.
2. Detach any communications cables from the back of the terminal.
3. Turn the terminal ON.
4. Hold down SHIFT, then press BREAK on the terminal keyboard. You should see BLK displayed above the status line. If you see anything else, hold down SHIFT, then press BREAK again until you see BLK.
5. Press ESC . (period).
6. Then press E. This displays 24 rows of E (an excellent test pattern for display alignment).
7. Hold down SHIFT, then press SETUP. This adds lines 0 and 25.
8. Margins on the top, bottom, and both sides should measure 12mm \pm 3mm. If they don't, see the next section.
9. Look at the display. If there is barreling or pincushioning; if the letters on the top aren't the same size as letters on the bottom; if any of the display edges aren't straight; or, if there are brightness or focus problems, see "Aligning the Terminal Display."
10. If the display is within specification and looks regular, turn off the terminal. Now you can close the terminal and reattach the communications and power cables.

Aligning the Terminal Display

The monitor has several alignments and adjustments. Perform these procedures only if the display is out of tolerance and doesn't match the specification.

WARNING--The CRT/yoke assembly has high voltages. Only qualified service personnel should perform adjustments to it.

Tools Required:

- No. 1 Phillips screwdriver
- Nonconductive alignment tool

Note--If you already have an E alignment pattern on the screen, go to step 5. This procedure assumes that you have just checked or adjusted the power supply voltages, the top cover is off, and the power is ON.

1. Hold down SHIFT, then press BREAK on the terminal keyboard. You should see BLK displayed above the status line. If you see anything else, hold down SHIFT, then press BREAK again until you see BLK.
2. Press ESC . (period).
3. Press E. This displays 24 rows of E.
4. Hold down SHIFT, then press SETUP. This adds lines 0 and 25.
5. Look at the display, then at Table 4-1. Table 4-1 lists display problems, the adjustments that fix them, and where to go for further instructions.

Table 4-1 Problems and Adjustments

Display Problems	Adjustments
Display too short or too tall	Height, p. 4-6
Letters at the top of the display aren't the same height as those at the bottom of the display	Linearity, p. 4-6
Fuzzy letters	Focus, p. 4-6
Too wide or too narrow	Width, p. 4-6
Not centered	Yoke Lock, p. 4-7
Too bright, too dim,	Sub-Brightness,
Alignments 4-4	

raster scan lines show

p. 4-9

Pincushioning, barreling,
crooked edges, corners
that sag or move out
of specification

Display Magnets,
p. 4-9

6. Adjust the display. Check Figure 4-1 for component locations.

Note--If you finish both the power and display adjustments, and the display is still not within tolerance, see "Troubleshooting," Chapter 3.

7. When the display is within specification, and looks regular, turn off the terminal. Now you can close the terminal and reattach communications and power cables.

ADJUSTMENTS

Height

The height adjustment is labeled HGT VR302 on the monitor/power supply board.

Adjust VR302 until the top edge and the bottom edge of the display are both 12mm \pm 3mm from the edge of the bezel.

Linearity

The linearity adjustment is labeled LIN VR303 on the monitor/power supply board.

Adjust VR303 until characters on the bottom of the display are the same height as those on the top.

Focus

Note--Do not use the focus control to adjust the outer extremities of the screen. Some focus distortion happens in all CRTs.

The focus adjustment is labeled FOCUS VR201 on the monitor/power supply board.

Adjust VR201 until the characters halfway between the center of the display and the bezel are distinct and clear.

Width

CAUTION--Do not use a metal tool to adjust the width coil. The magnetic properties of a metal tool will affect the adjustment.

The width adjustment is labeled L201 on the monitor/power supply board.

Adjust L201 until either side of the display is 12mm \pm 3mm from the edge of the bezel.

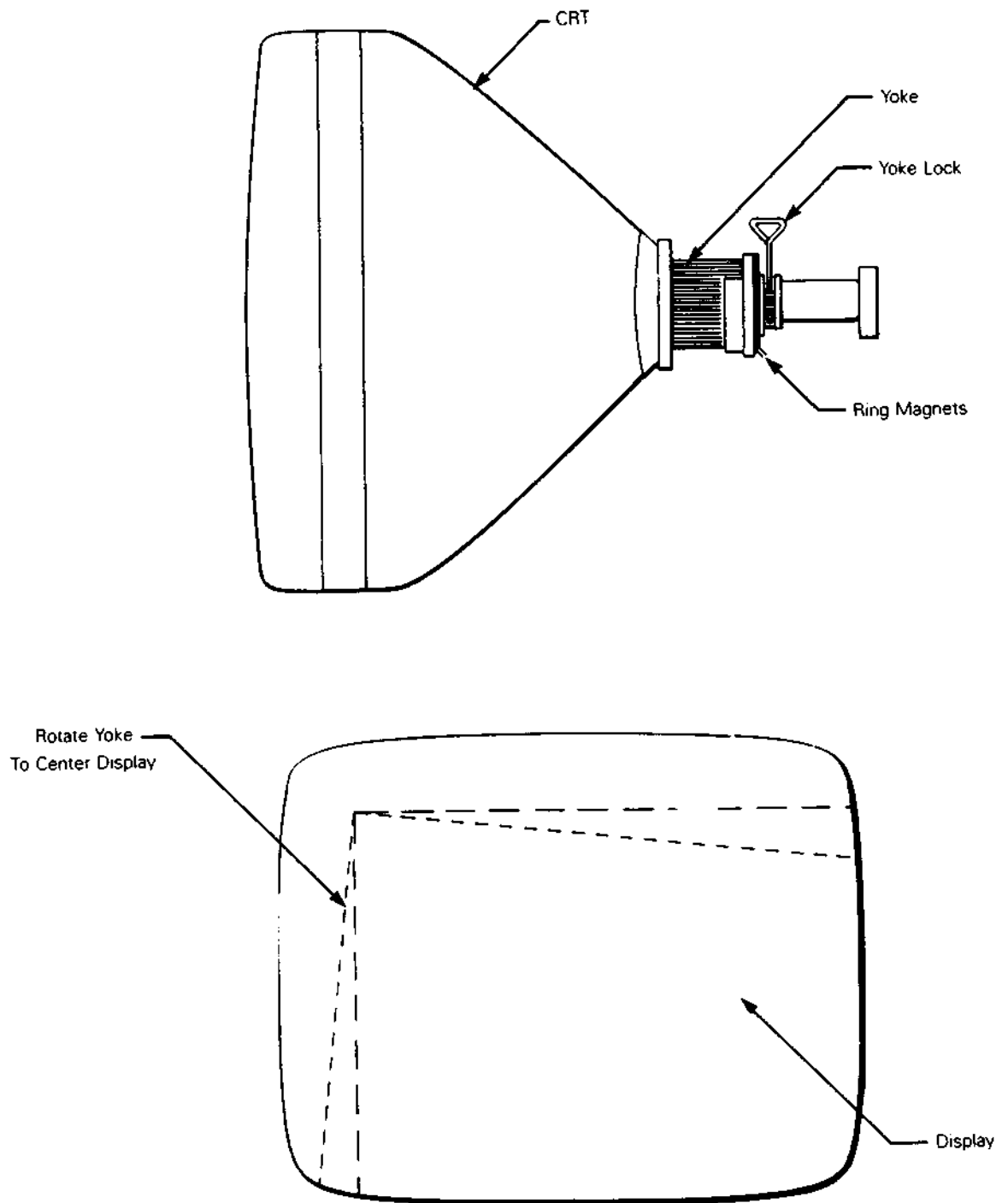
Yoke Lock

CAUTION--Do not tighten the yoke lock too much or the neck of the CRT will break.

The yoke lock is located on the neck of the CRT (See Figure 4-2).

- o Loosen the yoke lock on the neck of the CRT.
- o Rotate the yoke until the display is centered.
- o Tighten the yoke lock.

Figure 4-2 Yoke Lock on the CRT Neck



Sub-Brightness

The Sub-brightness potentiometer is labeled SUB-B on the monitor/power supply board.

- o Turn the operator brightness control as far clockwise as possible.
- o Turn SUB-B on the monitor/power supply board as far counterclockwise as possible. You should see the raster lines on the screen.
- o Slowly turn SUB-B clockwise, just until the raster is no longer visible.

Display Magnets

There are eight display magnets on a ring around the yoke. When turned, they change the screen area they correspond to. They can also affect adjacent areas. Figure 4-3 identifies each magnet; Table 4-2 identifies which portion of the screen each changes.

Figure 4-3 Display Magnets

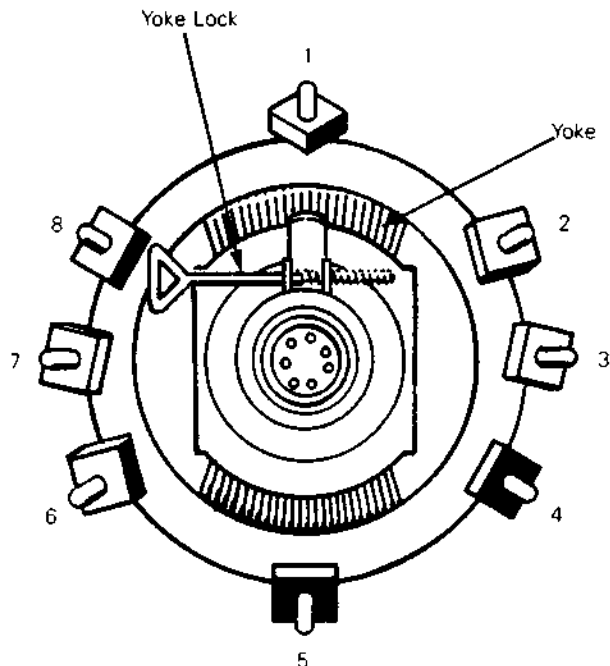


Table 4-2 Screen Areas Affected by Display Magnets

Magnet Number	Area Affected
1	Top
2	Upper left corner
3	Left
4	Lower left corner
5	Bottom
6	Lower right corner
7	Right
8	Upper right corner

5 ILLUSTRATED PARTS LIST

This chapter provides the information you need to order parts for the WY-50 terminal.

You will find numbered parts lists opposite each assembly drawing in this chapter. The item numbers correspond to the numbers in the circles on the assembly drawings. The part name indicates Wyse's description of the part. The part number is the official Wyse stock number. When you order replacement parts, please use both the part name and part number.

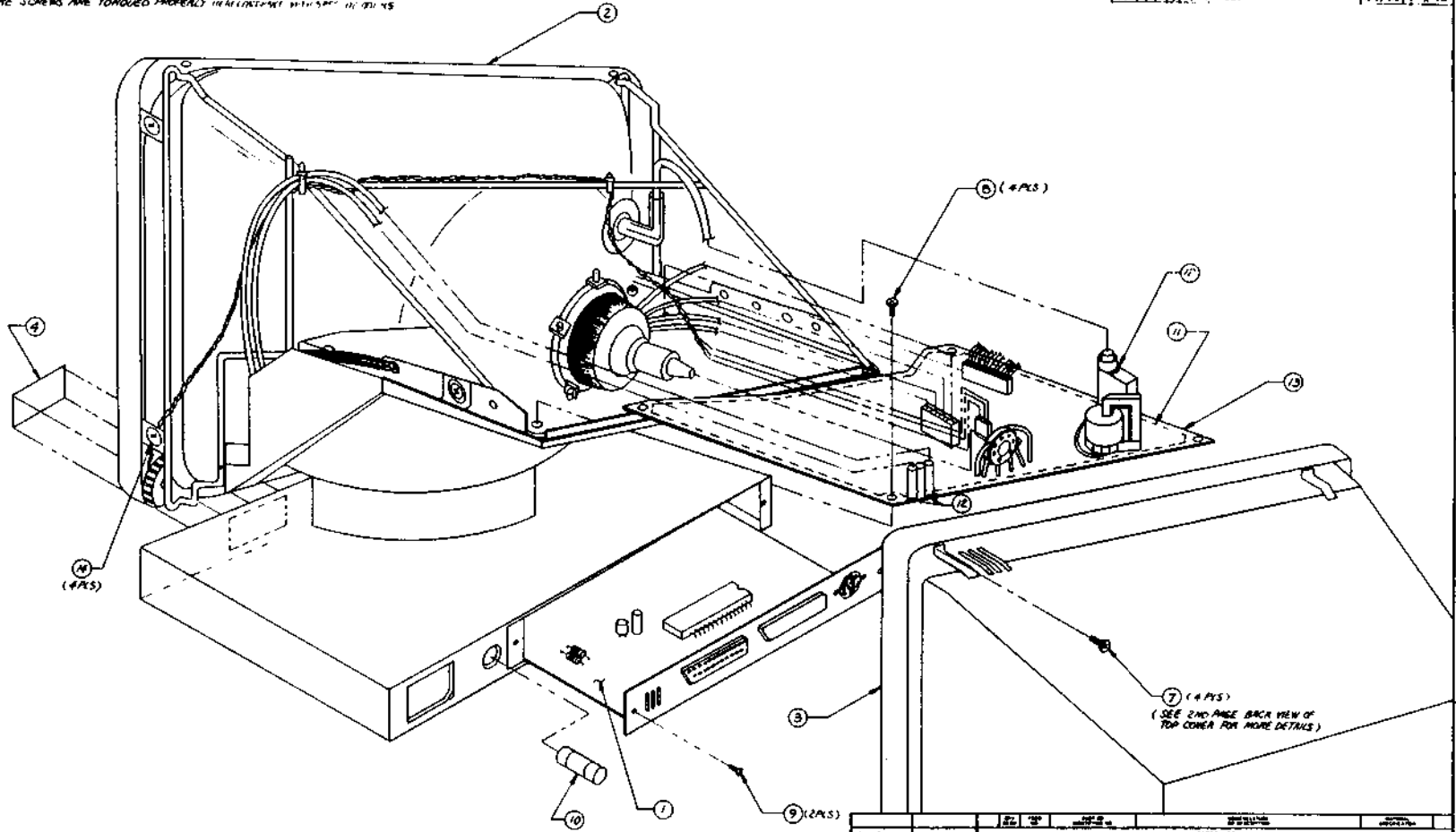
WY-50 Display Assembly Parts List

Item	Part Name	Part
1.	WY-50 Logic PCB (Microprocessor PCB, gate array)	32-005-02
2.	WY-50 Display Assembly	32-006-01
3.	WY-50 Top Cover	44-002-03
4.	WYSE Plate with adhesive	44-009-03
5.	Label, 115 VAC (domestic)	45-006-03
	Label, 220 VAC (international)	45-006-04
6.	Label, "REV B"	45-013-02
7.	Screw, CBM M4 x 8	50-005-21
8.	Screw, CBM M3 x 6	50-005-22
9.	Screw, CFM M3 x 5, black	50-005-57
10.	Fuse, 2 amp, 250V, fast blow	80-009-08
11.	PVC sheet, 188 x 160mm	80-806-09
12.	Adhesive, silicone rubber	82-002-04
13.	WY-50 Monitor/Power Supply PCB	99-019-01

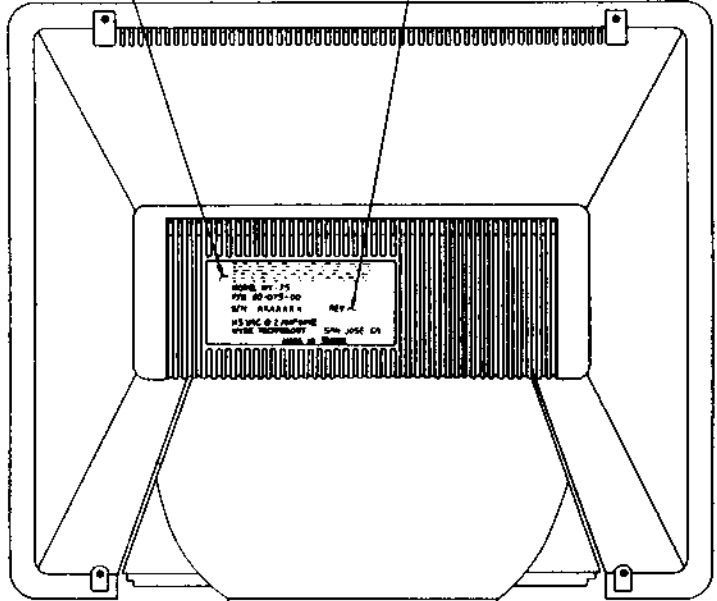
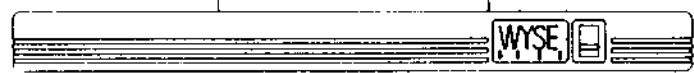
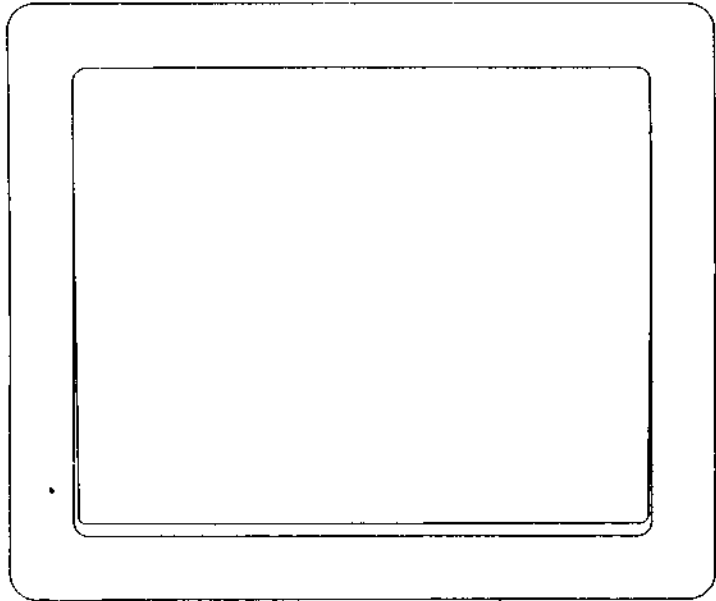
NOTES:

- 1. MAKE SURE PROPER MODEL NUMBER AND REVISION ARE STAMPED HERE
- 2. MAKE SURE SCREWS ARE TORQUED PROPERLY IN ALL INSTALL WITH SPEC. IN STL'S

REV	DATE	DESCRIPTION	BY	CHKD
PK		MANUFACTURING RELEASE PER ECA # 925		
B		SEE PAPER 042		
AB		SEE PAPER 042		



00-007-01 3-1-66-01 APPLICATION THERMABLE PROJECTION	RI-5C 10000 10000 10000	PARTS LIST WYSE WYSE TECHNOLOGY WYSE DISPLAY UNIT 10000 10000 10000
---	----------------------------------	---



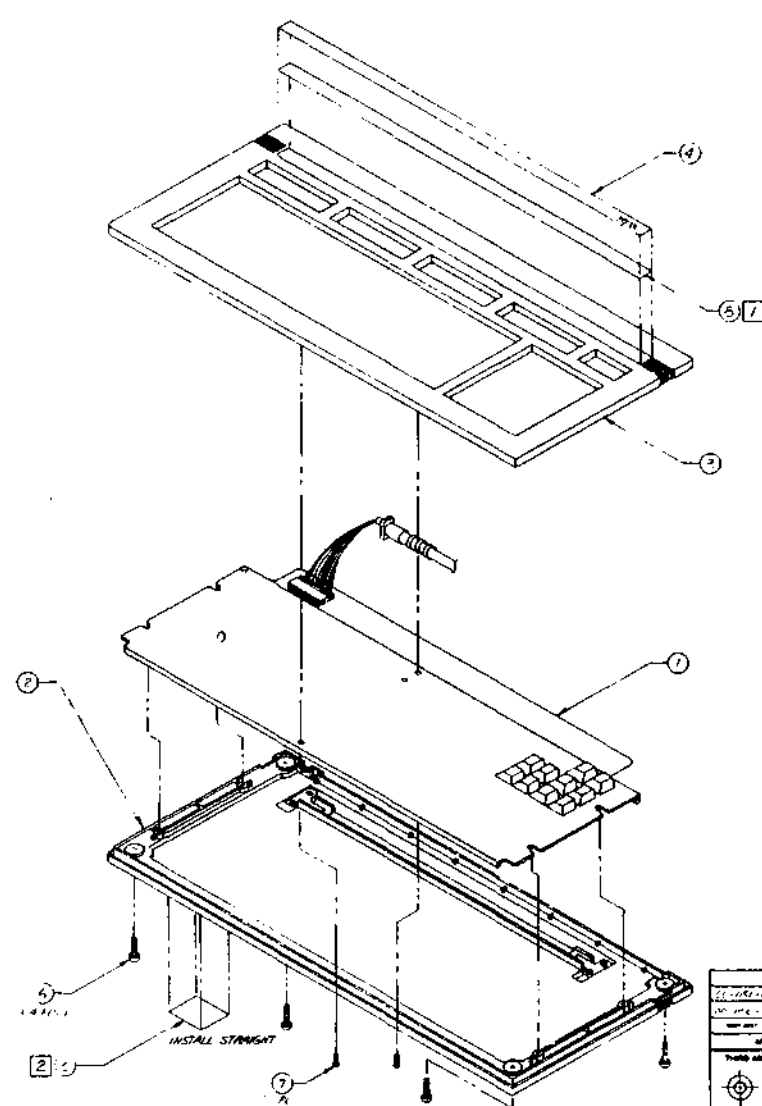
01-075-01 WY-75 PART LIST WYSE TECHNOLOGY DISPLAY ASSY		DATE: 10-006-02 REV: C SHEET: 2 OF 2
APPLICATION: TYPE LABEL PROJECTION	QUANTITY: UNIT:	DRAWN BY: CHECKED BY: DATE:

WY-50 Keyboard Assembly Parts List

Item	Part Name	Part
1.	WY-50 Keyboard with Cable	32-008-01
2.	Keyboard Bottom Cover	32-009-01
3.	WY-50 Keyboard Top Cover	44-003-02
4.	WY-50 Keyboard Label	45-007-01
5.	WY-50 Keyboard Serial No. Label	45-008-01
6.	Screw, CBM M4 x 8	50-005-21
7.	Screw, CBM M4 x 6	50-005-71
8.	Tape, double sided,	82-003-03

1. SEE DRAWING FOR DIMENSIONS
 2. SEE DRAWING FOR DIMENSIONS
 3. SEE DRAWING FOR DIMENSIONS
 4. SEE DRAWING FOR DIMENSIONS
 5. SEE DRAWING FOR DIMENSIONS
 6. SEE DRAWING FOR DIMENSIONS
 7. SEE DRAWING FOR DIMENSIONS

REV	DESCRIPTION	DATE	BY
1	INITIAL RELEASE FOR	10-28-80	
2	REVISED		



10-28-80 WY-50 WY-50 NETWORK ASSY	WYSE TECHNOLOGY WY-50 NETWORK ASSY	10-28-80 10-007-01 SHEET 1 OF 1
---	---------------------------------------	---------------------------------------

10
 11

6 THEORY OF OPERATIONS

INTRODUCTION

This section describes the terminal's basic logic functions. For technicians unfamiliar with raster scan techniques, a brief explanation of terms is given below.

RASTER SCAN TERMINOLOGY

The terminal has a 14-inch cathode ray tube (CRT) display. Because the terminal is a video display, most of its circuitry provides appropriate inputs for the CRT (i.e., clocks and video information).

An electron beam sweeps the face of the CRT. The CRT displays data by controlling this beam. The electron beam begins in the upper left-hand corner of the display and sweeps from left to right. One sweep of the beam is called a scan line. When the beam returns from the right side of the screen to the left side, beginning the next scan line, it must be disabled (turned off). This prevents a streak from appearing on the face of the CRT. Disabling the beam is called horizontal blanking. At the end of 338 scan lines, the electron beam arrives at the lower right-hand corner of the display. In order to return to the upper left-hand corner, the beam must be disabled again so a vertical streak doesn't appear on the face of the CRT. Disabling the beam at this time is called vertical blanking. The amount of time it takes the beam to move from the upper left-hand corner of the display and return is a field. By convention, field time normally equals the period of the AC power source [e.g., in the United States, field time is 1/60 of a second (60 Hz) and in Europe, 1/50 of a second (50 Hz)]. The terminal uses a 60 Hz field rate in either 60 Hz or 50 Hz AC input.

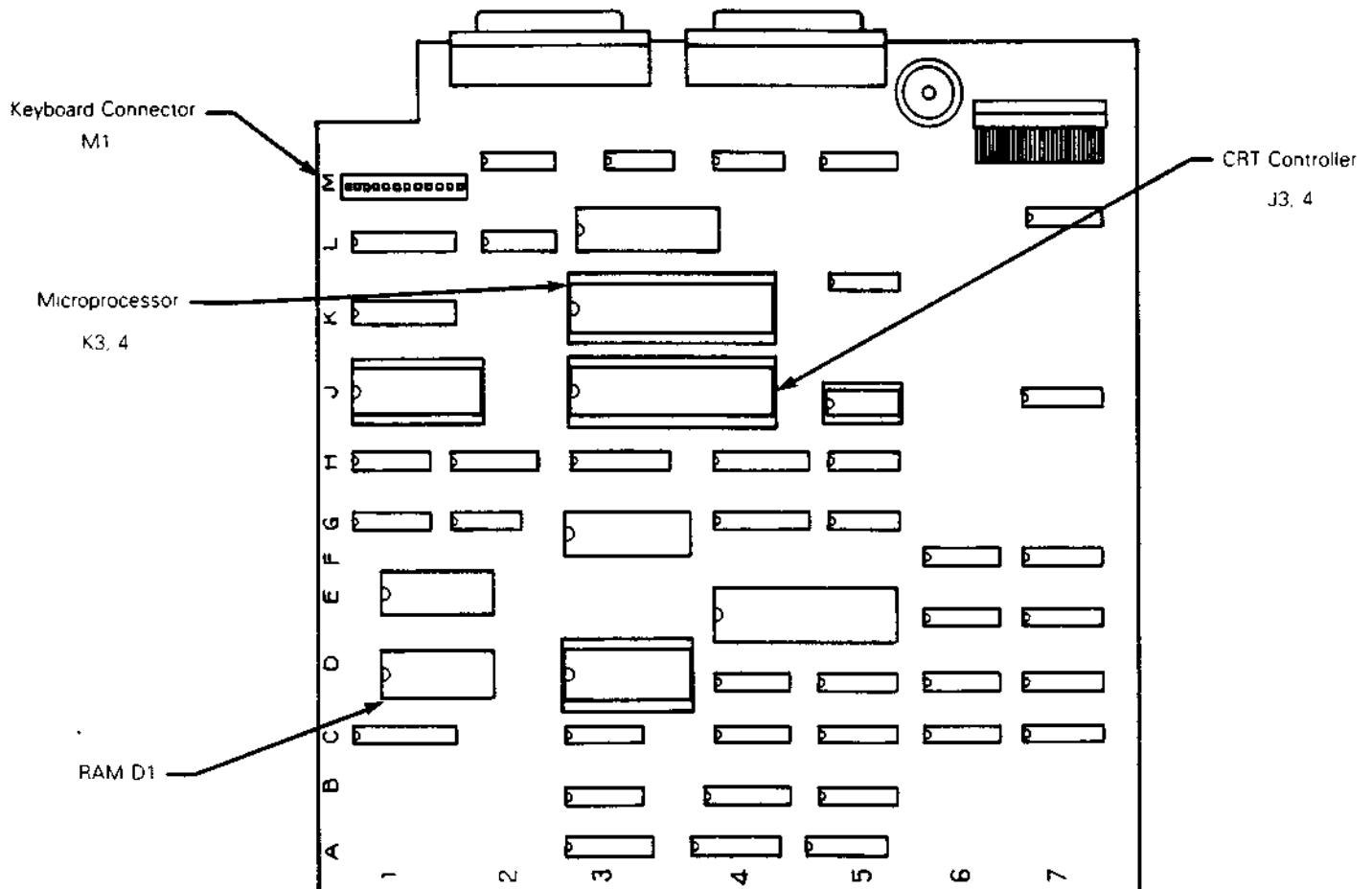
In the terminal characters are constructed within a 10 x 13 dot matrix (80 columns). The field must then be broken into vertical and horizontal axes: The vertical axes consist of scan lines and the horizontal axes consist of bit times. Thirteen scan lines and 10 bit times are used to define the character matrix (10 x 13) in an 80-column display. Thirteen scan lines and nine bit times are used to define the character matrix (9 x 13) in a 132-column display.

PRINTED CIRCUIT BOARD LAYOUT AND COMPONENT IDENTIFICATION

When you study the theory of operations for the terminal, you may want to identify certain components as you read about them. The text identifies each component with the X-Y coordinate system that you use on all printed circuit boards. This system can help you locate components on the PCB that are referred to in the schematics as well. Here is a brief explanation of the coordinate system:

A set of alphabetical coordinates (A, B, C, etc.) runs the length of the microprocessor board. A set of numerical coordinates (1, 2, 3, etc.) runs along the width of the microprocessor board. These coordinates form an X-Y grid. Each component's X-Y coordinate is printed next to it on the PCB. Look at Figure 6-1 for an example of coordinate identification.

Figure 6-1 Microprocessor PCB



MICROPROCESSOR PCB BLOCK DIAGRAM

Figure 6-2 is a block diagram of the microprocessor PCB. All of the logic (except the display and power supply) is located on the microprocessor PCB. Note that each block on the block diagram is numbered. This number corresponds to the item numbers given in the following descriptions.

Note--There are two versions of the microprocessor PCB in the field. One uses TTL logic throughout; the other replaces some TTL functions with a gate array integrated circuit. You will find notes in the text for any differences between the two configurations.

Single component microprocessor (1)--The terminal has a single-component microprocessor which contains 128 bytes of RAM, 32 I/O lines, two 16-bit counter/timers, and UART. It has integral interrupt and clock circuitry. The microprocessor IC uses eight data lines that are multiplexed with the lower eight address lines. Address information appears on these lines only when the ALE (address latch enable) signal is present. The upper address lines (A8-A15) are nonmultiplexed single-direction lines. The UART on the microprocessor PCB drives an RS-232C compatible printer.

CRT controller (2)--The programmable video timing controller IC is initialized by the microprocessor chip when you turn on the power. The CRT controller interfaces to the video display buffer (RAM) on a direct-memory access basis. Display data is then sent to the character generation circuitry for processing. The CRT controller chip generates the cursor and also provides the necessary timing and control information for the display logic (scan line count, horizontal synchronization, vertical synchronization, and blank).

UART (3)--The UART takes parallel data from the microprocessor and converts it to a bit-serial format for external communication equipment. In addition, the UART converts bit-serial information received from an external source, to parallel information usable by the microprocessor. The UART flags the microprocessor when it needs an interrupt.

Display RAM (4)--The display RAM consists of two 2K by 8-bit static RAM chips. RAM is used as a volatile storage medium for display information and telecommunications (TCOM) buffers. The RAM can be accessed by either the microprocessor or the CRT controller.

PROM (5)--The PROM is nonvolatile memory for program storage. Every routine resides in the PROM. The terminal PROM can be either 4K, 8K, or 16K bytes. The PROM does not reside within the normal memory map because it has a unique enable line (PSEN).

RAM address multiplexer (6)--The RAM address multiplexer allows address information from either the microprocessor or the CRT controller to access the RAM. The multiplexer is selected by the memory bus control (MBC) signal, which is generated by the CRT controller.

Address decoder (7)--The address decoder decodes the high order address bits (A13, A14, A15) and the Read and Write control lines

(\overline{RD} and \overline{WR}) from the microprocessor. From these signals the decoder generates enable signals for the RAM, UART, CRT controller, electrically alterable ROM (EAROM) keyboard, and diagnostic row buffer register.

Low order address latch (8)--This integrated circuit latches the lower order address information presented to it by the microprocessor at address latch enable time. This is necessary because the lower address lines also serve as the bidirectional data bus.

Bidirectional bus driver (9)--This driver gates data from the microprocessor to RAM, or data from RAM to the microprocessor.

Keyboard latch (10)--The microprocessor tests to see if a key has been pressed on the keyboard by addressing each key and then examining the keyboard return line (Pl.4 on the CPU). The keyboard latch latches this address information so the keyboard can use it.

Row buffer RAM (11)--The row buffer RAM is loaded with display information from the display RAM. This display data is read out of the RAM 13 times (once for each scan line) and presented to the character generation circuit for decoding.

Low buffer latch (12)--The row buffer latch holds the display data from the video buffer (part of the display RAM) until it can be loaded into the row buffer RAM.

Row buffer diagnostic latch (13)--This latch is used for diagnostics only. It latches data during DMA transfers from the row buffer RAM to the row buffer data latch. At the end of each DMA transfer it retains the last byte transferred. This byte can be read by the CPU (prior to the next DMA transfer) and is useful in diagnosing failures in the data path between the video buffer and the character generation circuitry.

Memory bus control latch (14)--The memory bus control latch latches the CNTRL 3 signal from the CRT controller. This output is the memory bus control signal. This signal selects the RAM address multiplexer and enables the row buffer latch. It is used when the CRT controller reads in a row of characters with DMA.

Row address latches (15)--When the CRT controller initiates a DMA transfer, it outputs the address of the data in the video buffer it wishes to display. This address information (RA0-RA13) is latched into the row address latches for use by the RAM address multiplexer.

Row buffer data latch (16)--The row buffer data latch stores each character to be displayed (one at a time) for use by the attribute decoding and character generation circuitry.

Attribute decoding logic (17)--Each character read out of the row buffer RAM is examined to see if it is an attribute (blink, dim,

Level converters (EIA to TTL) (28 and 33)--These level converters change the EIA RS-232C logic levels to TTL levels for use by the UARTs.

Level converters (TTL TO EIA) (29 and 32)--These level converters change the TTL logic levels from the UARTs to RS-232C levels for use with external equipment.

TCOM clock generator (30)--The telecommunications (TCOM) clock generator circuit consists of a crystal oscillator that provides the basic clock for the UART. The UART is then programmed (by the user in the setup) for the appropriate baud rate.

Pass-thru multiplexer (31)--The pass-thru multiplexer can be enabled so that data received by the main UART can be passed through to the output of the secondary UART (inside the microprocessor). This allows received data to be sent directly to a printer without CPU intervention.

(32)--See item 29

(33)--See item 28

CPU clock generator (34)--The CPU clock generator consists of a 11.000 MHz crystal connected to the XTAL input to the CPU. The CPU has its own internal clock generation circuitry that divides the basic crystal frequency into frequencies usable by the CPU.

CRT AND POWER SUPPLY BLOCK DIAGRAM

The terminal contains a combination monitor/power supply assembly. The power supply provides the voltages for all the logic. These voltages are +12V, -12V, +5V, -23V, and +24.5V. The -23V is used exclusively by the EAROM. Only the monitor/power supply uses the +24.5V supply. Figure 6-3 is a block diagram of the combination monitor/power supply. Note that each block is numbered. This number corresponds with the item number in the following descriptions.

Voltage doubler (1)--The terminal operates with either a 115 VAC or 230 VAC input. The voltage doubler circuit provides 350 VDC to the oscillator circuit when 115 VAC is applied, and is passive when the 230 VAC input strap is installed. This assures that the oscillator (DC to AC converter) always has a 350 VDC input regardless of the AC input voltage.

DC to AC converter (2)--The converter consists of a pair of switching transistors. It sends AC input voltage to the main power transformer. The DC to AC inverter is synchronized with the horizontal oscillator to eliminate beat frequencies.

Main switching power transformer (3)--The main power transformer provides taps for the power supply regulator circuitry and the horizontal oscillator.

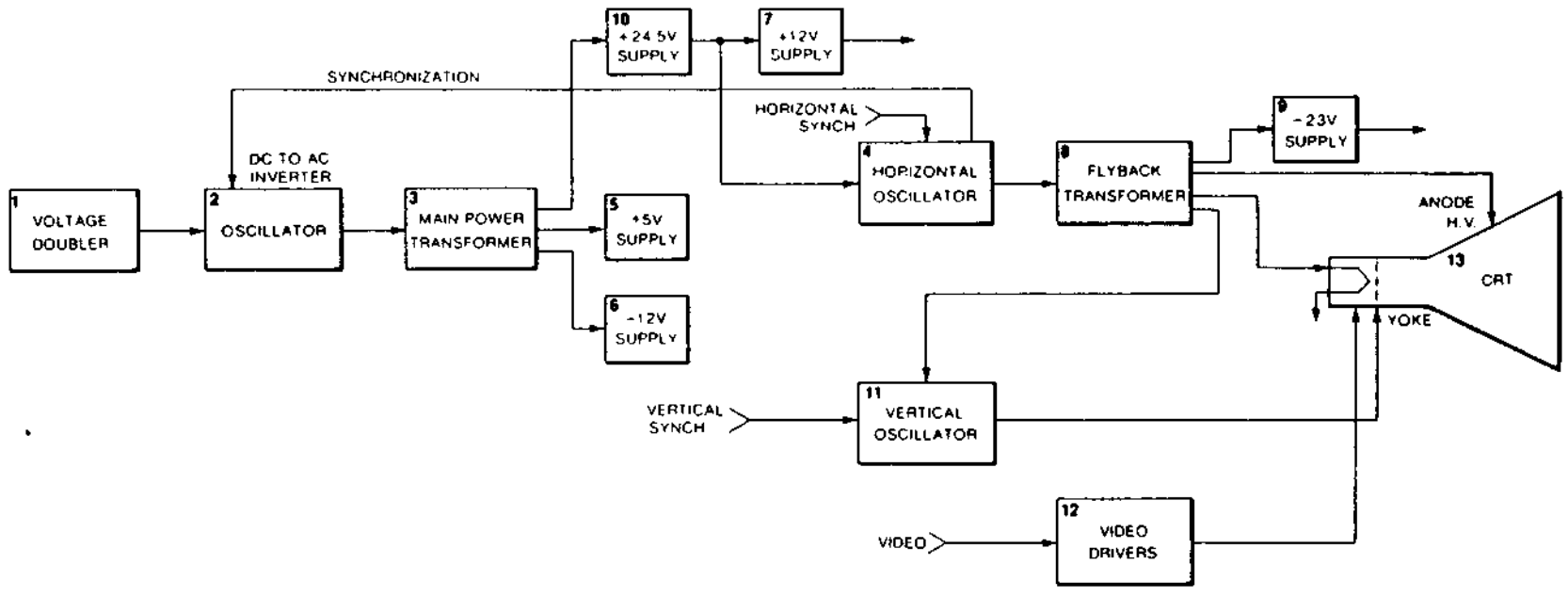


Figure 6-3 Monitor/Power Supply Block Diagram

Horizontal oscillator (4)--The horizontal oscillator provides the signal to drive the flyback transformer at the correct frequency. It also makes sure that the yoke is driven at the correct frequency so that the electron beam sweeps from left to right at the correct rate. Refer to Figure 6-4 for the horizontal oscillator timing information.

+5 volt supply (5)--The +5V is derived directly from one of the main transformer taps which provides low voltage AC. The output of this tap is rectified and regulated. Regulation is accomplished by optically coupling a signal back to the DC to AC inverter which controls its duty cycle, and hence the output voltage of the main switching power transformer.

-12 volt supply (6)--The -12V supply is derived from one of the main transformer taps. The low voltage AC output is rectified and regulated.

+12 volt supply (7)--The +12V supply is derived from the +24.5 VDC. It uses a linear regulator.

Flyback transformer (8)--The flyback transformer steps up the output of the horizontal oscillator to provide the high voltage for the CRT itself. In addition, the flyback transformer has taps that provide filament power and low voltage AC input to the -23V supply.

-23 volt supply (9)--The -23V supply receives its low voltage AC input from the flyback transformer. This voltage is then rectified and filtered to provide the -23V for the EAROM.

+24.5 volt supply (10)--The +24.5V supply is derived from one of the main transformer taps. The low voltage AC output is rectified and then regulated by a linear regulator.

Vertical oscillator (11)--The vertical oscillator provides the yoke with the correct vertical drive frequency to ensure that the electron beam scans the face of the CRT at the correct vertical repetition rate. Refer to Figure 6-5 for vertical timing information.

Video drivers (12)--The video drivers provide the video input to the CRT with the correct voltage to bias the CRT grid.

CRT (13)--The cathode ray tube (CRT) displays data by modulating the electron beam with the video signal while the beam moves across the face of the screen. The horizontal and vertical drive signals determine the rate of movement.

Figure 6-4 Horizontal Oscillator Timing

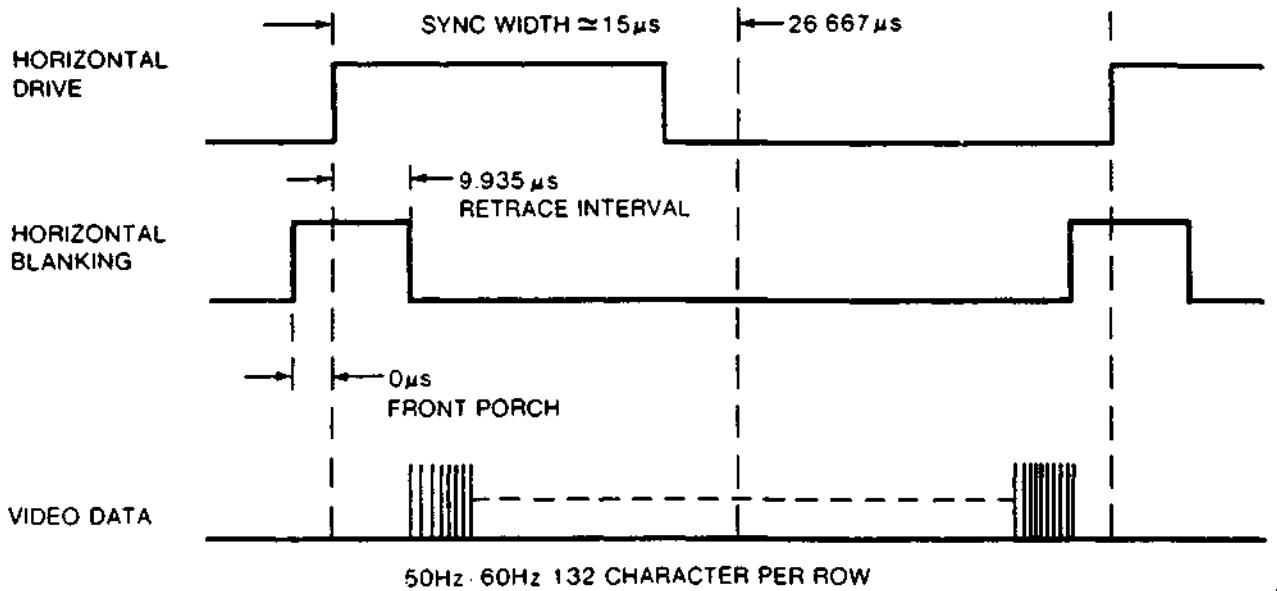
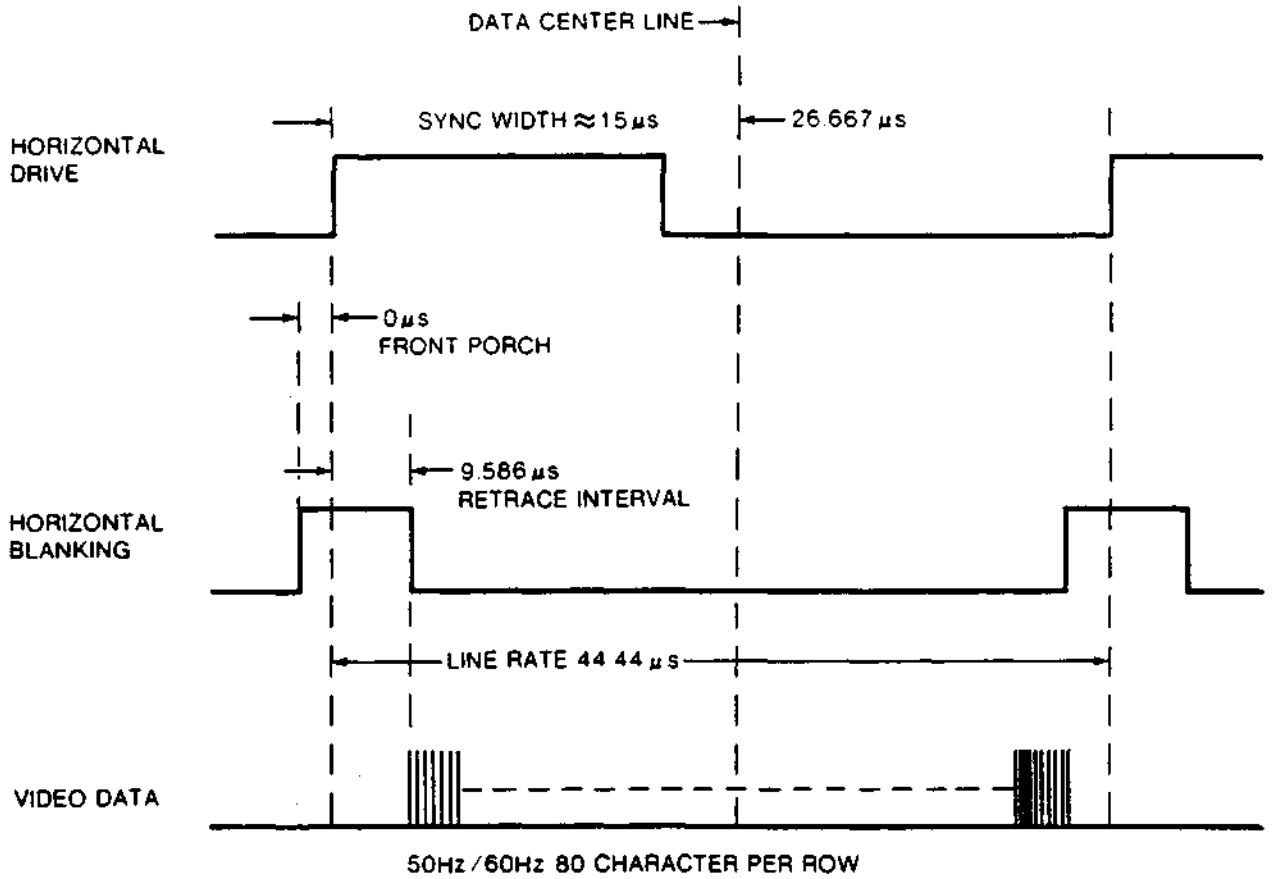
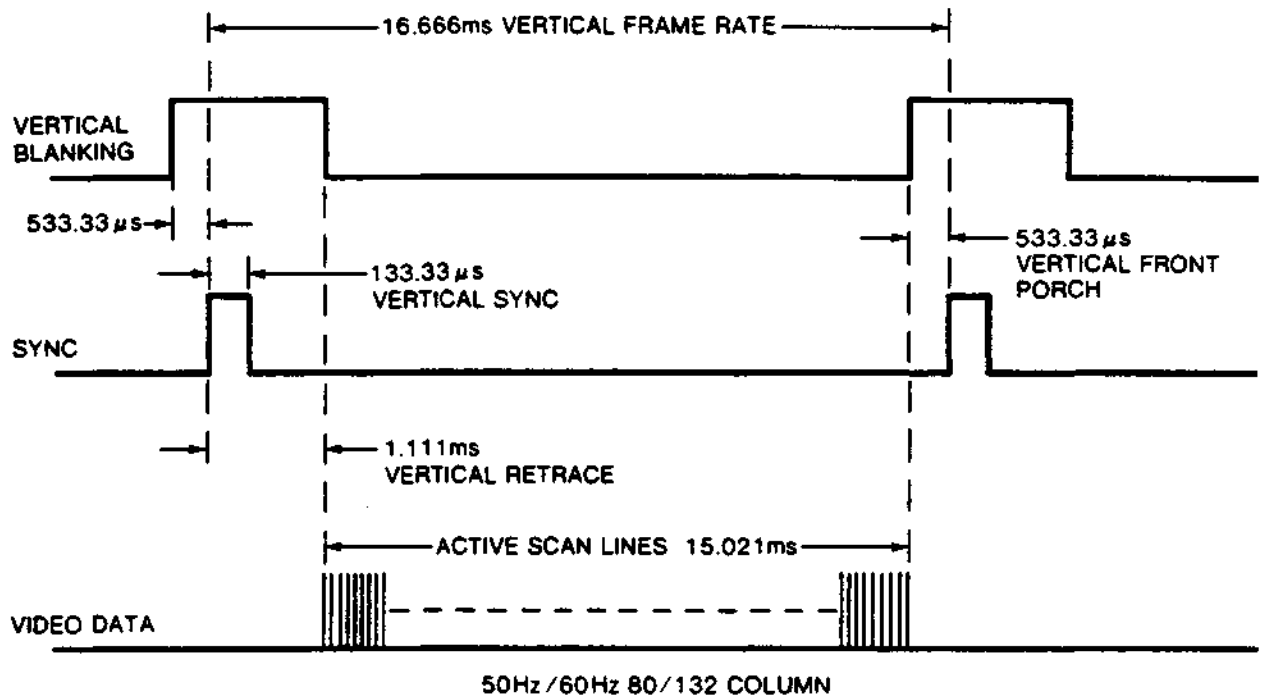


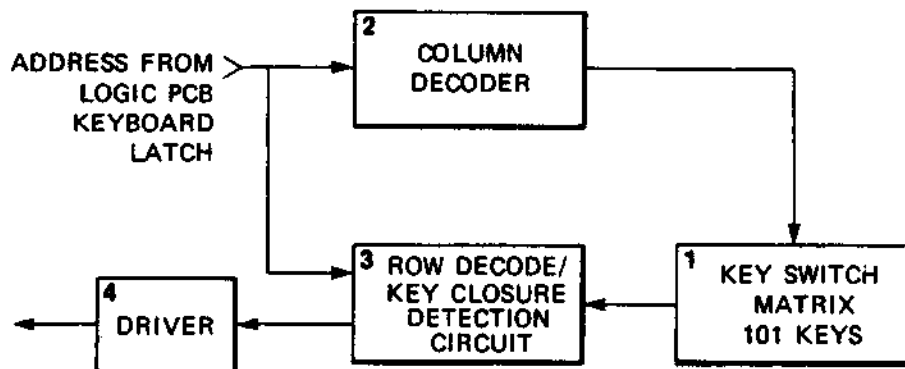
Figure 6-5 Vertical Timing



KEYBOARD BLOCK DIAGRAM

Figure 6-6 is a block diagram of the terminal keyboard. The logic that interfaces with the keyboard resides on the microprocessor PCB. Note that each block on the diagram is numbered. This number corresponds to the item numbers given in the following descriptions.

Figure 6-6 Keyboard Block Diagram



Key switch matrix (1)--The key switch matrix is divided into 16 columns and 8 rows. Each row is pulled up to +5V with a pull-up resistor. A key switch is located at each intersection of a row and a column. Pressing a KEY switch results in a unique column and row juncture.

Column decoder (2)--The column decoder is driven by the keyboard address latch on the microprocessor PCB. The microprocessor selects each column. When the microprocessor selects a column, the column decoder drives the selected column line low. Because the row lines are all pulled high, a key closure results in the column line pulling the row line low (logic 0).

Row decoder/key closure detection circuit (3)--The microprocessor addresses the row decoder, which in turn examines each row in the keyboard switch matrix. If a key has been pressed, the row decoder encounters a logic low on its input line (because the column line pulled the row line low). When this occurs, the key closure detection circuit informs the CPU of a key closure.

Line drivers (4)--The keyboard line drivers provide adequate output to minimize the signal decrease between the keyboard and the microprocessor PCB.

FUNCTIONAL DESCRIPTION

The logic board consists of six sections: microprocessor, communications interface, display memory, nonvolatile memory, keyboard interface, and video control.

Microprocessor

The 8031 microprocessor contains 128 bytes of RAM, two counter/timers, a full duplex serial port, and two parallel ports. The processor operates at 11 MHz. This allows most instructions to execute in 1.1 microseconds.

The 8031 has separate addresses for program storage and I/O. Program storage is selected with signal PSEN. The terminal uses 8K of program storage but can be expanded to 16K with no jumpers or to 32K with one jumper. The I/O address space is selected by \overline{RD} (read) or \overline{WR} (write).

There is an 8-bit data bus, which has the eight lower order address bits multiplexed during bus cycles. The lower address bits are latched into an 8-bit latch by the ALE signal (address latch enable). The upper eight address bits have a dedicated output port on the 8031.

Table 6-1 is a list of 8031 pin assignments.

Table 6-1 8031 Pin Assignments

Pin	Assignment
P0.0-P0.7	Data bus and lower byte of address bus.
P1.0	$\overline{\text{AUX READY}}$. Input from auxiliary serial port. Indicates DTR line is asserted.
P1.1	$\overline{\text{NVDOOUT}}$. Input from nonvolatile memory. Data is shifted in serially from memory.
P1.2	Pass-thru. Output from 8031 sends data received from the MODEM port out through the AUX port.
P1.3	$\overline{\text{AUX RTS}}$. Input to 8031 from AUX port. Indicates RTS is being asserted by AUX device.
P1.4	Key return. Input from the keyboard to the CPU. Signal is high if currently addressed key is pressed.
P1.5	BELL. Output by 8031 to sound tone generator.
P1.6	$\overline{\text{DIM/REV}}$. Output by 8031 to define presentation of protected characters on CRT. Low is dim. High is reverse video.
P1.7	$\overline{\text{80/132}}$. Output by 8031. Selects 80-column or 132-column display.
P2.0-P2.7	Address bits 8-15 output by 8031 during bus cycles.
P3.0	RXD. Received data from AUX serial port.
P3.1	TXD. Transmitted data from 8031 to AUX port.
P3.2	$\overline{\text{INT0}}$. ($\overline{\text{BRE0}}$). Interrupt input from CRT controller during DMA transfers.
P3.3	$\overline{\text{INT1}}$. ($\overline{\text{SI0IR}}$). Interrupt input from MODEM port UART. Indicates data in the receive buffer.
P3.4	$\overline{\text{T0}}$. ($\overline{\text{VTIR}}$). Timer 0 input. Generates interrupts by CRT controller.
P3.5	$\overline{\text{T1}}$. ($\overline{\text{GRAPHICS}}$). Output by 8031 to turn on graphics interface signals.

P3.6	$\overline{\text{WR}}$. I/O Write signal output by 8031.
P3.7	$\overline{\text{RD}}$. I/O Read signal output by 8031.
RST	Reset. High input resets 8031.
EA	$\overline{\text{External access}}$. Low signal forces 8031 to make program fetches from external ROM.
ALE	Address latch enable. Latches multiplexed lower order address bits from data bus into address latch.
PSEN	$\overline{\text{Program store enable}}$. Enables external ROM during program fetch.

Communications Interface

Both independent serial ports [the MODEM port and the AUX (auxiliary) port] are asynchronous. The MODEM port connects to a terminal or a modem. The AUX port usually connects to a printer.

The MODEM port is implemented with a 2661-B UART. The UART derives its baud rate clock from a 4.9152 MHz crystal. The 1488 and 1489 buffers provide the voltage level conversion for interfacing RS-232 lines. Noise filtering is provided by the 220 pF capacitors.

The AUX port uses the UART in the 8031. The 11 MHz processor clock is divided internally by timer one to provide baud rates.

In addition to operating independently of the MODEM port, the AUX port may operate in a pass-thru mode. In the pass-thru mode, the data received by the MODEM port is retransmitted from the AUX port. The DTR signal received by the AUX port is passed through to the MODEM port.

Display Memory

The display memory in the terminal is dual-ported between the CRT controller and the 8031 processor. Normally, there are two 2K RAM chips installed for single-page operation.

The PCB can be expanded by one or two 8K x 8 byte RAMs, but this expansion is not supported by the firmware.

During the first scan line of each character row, the 2672 CRT controller sends an interrupt to INT0 of the 8031 nine microseconds before starting a DMA transfer from the display RAM. The 8031 may not access the display RAM while this signal is asserted. The 8031 does not stop during the DMA transfer and may service any other devices at this time.

Nonvolatile Memory

The terminal stores configuration parameters in the 100 x 14-bit nonvolatile memory. The memory operates from +12V and -23V. To generate these voltages, the monitor power/supply should receive a horizontal frequency signal 250 milliseconds before trying to read from or write to the nonvolatile RAM.

The EAROM requires a command code on the C1, C2, and C3 inputs in order to erase, read, or write. Address and data information are clocked into the EAROM through the bidirectional D pin.

The 8031 controls the EAROM through a control latch (4H on the TTL PCB, 5G on the gate array PCB). The control latch signal levels are translated by 7406 open collector inverters to the 12 volt levels required by the ER1400 EAROM. Data read out of EAROM is translated to TTL levels by a comparator before being read by the 8031 on P1.1.

Keyboard Interface

Each key on the keyboard is tested for key depression by presenting its address to a latch, then testing the line at P1.4 on the 8031. At least 6 microseconds elapse between outputting an address and testing the key return.

Debouncing and multiple key depressions are handled by the 8031.

Video Controller

The video controller consists of the dot and character clock section, the 2672 programmable video timer controller, attribute control, character font, and video shift register.

Video Clock Circuitry

A 68.85 MHz oscillator provides the basic timing for the dot clock and character clock. A 68.85 MHz crystal provides the positive feedback around a 74F04 inverter (2B, TTL; 3B, gate array). The crystal is used in a series resonant overtone mode. A T-network consisting of resistors (R3 and R44, TTL; R2 and R3, gate array) and a capacitor (C9, TTL; C11, gate array) provide DC feedback around the inverter for proper biasing while blocking AC. An inductor and capacitor (L1 and C72, TTL; L1 and C14, gate array) form a parallel resonant circuit to reduce the oscillator's feedback if it attempts to oscillate at the wrong overtone frequency. Another capacitor (C8 on both boards) provides an AC path to ground for the resonant circuit.

The output from the oscillator is buffered by another 74F04 and then applied to a divider (2A, TTL; 3A, gate array). The divider circuit divides by 2 for 132-column operation or by 3 for 80-

column operation. The dot clock from the divider goes to the video shift register and the character clock generator.

The character clock generator consists of a Johnson counter (3B, 4B, and 3A, TTL; 4A, 4B, and 5A, gate array) which divides the dot clock by 10 in 80-column mode and by 9 in 132-column mode. The character clock generator also provides a properly phased load enable signal for the video shift register.

Programmable Video Controller

The 2672 programmable video timing controller (PVTC) provides all the timing and control signals for displaying characters on the CRT (3J). The 8031 initializes the 2672 with the display parameters when a user turns the terminal ON. Before each displayable character row, the 8031 gives the 2672 the beginning character address for that row. The 2672 fetches characters from the display RAM during the first scan line of each displayable character row. During the following 12 scan lines the characters are retrieved from the row buffer.

The 2672 warns the 8031 of an impending DMA transfer by asserting BREQ 9 microseconds before the DMA transfer begins. After 9 microseconds, the 2672 asserts memory bus control (MBC) which ports the display RAM into the row buffer RAM and disconnects the display RAM from the 8031 bus. Since the DMA transfers do not stop the 8031, there is an additional 1.17 milliseconds of program execution time available during each video frame (26 row x 45 microseconds horizontal period).

In addition to providing the character addressing, the 2672 also generates the scan line count and attribute control signals. The scan line count, blink rate, and underscore signals are multiplexed on the 2672's character address lines. At the beginning of each scan line these multiplexed signals are clocked by the falling edge of the blank signal into a latch (4D).

Attribute Control

Attribute control determines the way the CRT displays characters. There are five attributes: blink, blank, underscore, reverse, and dim. Reverse and dim are hidden, the attribute is not embedded in the display data and doesn't occupy a character location. The rest of the attributes are "not hidden." Not hidden means that the attribute is embedded in the display data and occupies a character location on the screen.

As data is presented to the character generator (3D, TTL; inside the gate array), it is simultaneously decoded by the attribute controller to determine if it is display data or an attribute. If bit 7 is high and bits 6 and 5 are low, then the data byte is interpreted as an attribute byte.

APPENDIX A SPECIFICATIONS

PHYSICAL

Dimensions	Video Module: 12"H x 12.3"W x 13"D (30.48cm x 31.24cm x 33.02cm) Video Module Base: 1.25"H x 12.25"W x 10.25"D (3.20cm x 31.12cm x 26.04cm) Keyboard: 2.25"H x 17.25"W x 7.6"D (5.72cm x 43.82cm x 19.3cm)
Net Weight	30 lbs. (13.5kg approx.)
Finish	Two-tone gray

CRT

Size	14" diagonal (35.56cm)
Display	Nonglare, P138 green phosphor Nonglare, P134 orange phosphor Swivel: 270 degrees Tilt: 15 degrees
Screen Format	80 or 132 columns (user selectable) 26 rows (two rows for terminal status and function key identification)
Character Matrix	80 column: 7 x 13 matrix, 10 x 13 cell 132 column: 7 x 13 matrix, 9 x 13 cell
Character Set	128 characters (96 displayable ASCII characters, 16 control code symbols, and 16 graphics characters)
Language Keyboard Codes	U.S. (American), U.K. (British), French, German, Spanish, Danish

Video Attributes	Normal, dim, blink, blank, underline, and reverse
Horizontal Frequency	22.9 KHz
Video Bandwidth	17.0 MHz
Total Active Scan Lines	338
Total Scan Lines	375
Total Pixel Resolution	800 by 338
Cursor	Block or line Blinking or nonblinking (user selectable)
Memory	One page

KEYBOARD

Type	Low-profile detached, with 6-foot coiled cable (1.83m) Two-position tilt (low position meets DIN specification)
Keys	101, including 16 programmable function keys (shiftable to 32), and numeric keypad. N-key rollover with ghost key lockout

COMMUNICATIONS

Ports	Two independent EIA RS-232C interfaces
Mode	Asynchronous TTY compatible (block and conversational)
Baud Rates	MODEM: 50, 75, 110, 134.5, 150, 300, 600, 1200, 1800, 2000, 2400, 4800, 9600, 19.2K, 38.4K bps AUX: 110, 134.5, 150, 300, 600, 1200, 1800, 2000, 2400, 3600, 4800, 7200, 9600, 19.2K bps

Here are the attribute bit assignments:

Bit	Value				
7	1	*	} Indicates byte is an attribute.		
6	0	*			
5	0	*			
4	A	Reverse Video	1-ON	0-OFF	
3	B	Underscore	1-ON	0-OFF	
2	C	Blank	1-ON	0-OFF	
1	D	Blink	1-ON	0-OFF	
0	E	Dim	1-ON	0-OFF	

If a data byte is an attribute, it is routed through multiplexed 5D, 5A, 6A, and 7A into the current attribute latch 6C on the TTL PCB. The data byte is routed through the gate array on the gate array PCB. A new attribute always replaces the previous one and affects all the following displayed data until the next attribute is encountered. Whenever a new attribute is latched, the shift register (2C, 3C, and 4C, TTL; 3C, 4C, and 5C, gate array) is inhibited from loading the contents of the character font (3D); therefore, the screen location of an attribute is always blank (video off).

The outputs of the current attribute latch (6C, TTL; within the gate array) are decoded to create the different attributes. Blank and blink are created by inhibiting the shift register from loading. Underscore is exclusive OR'd with the reverse and cursor functions, and the shift register load is inhibited.

The reverse video functions (cursor, underscore, reverse, character) are exclusive OR'd with the serial video bit stream.

At the beginning of the first scan line of each character row, the attribute latch (6D, TTL; within the gate array) is loaded from the attribute latch (6C, TTL; within the gate array). This allows the last active attribute of each character row to propagate to subsequent character rows until a new attribute is encountered. Memory bus control (MBC) from the 2672 PVTIC causes this transfer. At the beginning of every scan line (including the first scan line), the current attribute latch (6C, TTL; within the gate array) is loaded from the row attribute latch (6D, TTL; within the gate array). This action restores the current attribute latch to the initial value for this character row.

The attribute controller also detects protected characters and displays them as dim, reverse, or normal. A protected character is detected when D7 is 1 and either D6 or D5 (or both) is also 1.

Character Generator

Each character cell is 10 dots (80-column) or 9 dots (132-column) wide by 13 scan lines high.

A 200ns 2732A EPROM stores the font. Address bits (A0 through A3) select the appropriate pattern for the current scan line. Address bits (A4 through A10) select the 128 ASCII and line drawing characters when All is low. All controls the lower or upper 128 characters select. Both lower and upper shift have the same characters. The firmware can select All for the protect attribute. This makes normal video one of the protect options.

Row Buffer Diagnostic Register

The row buffer diagnostic register (4E, TTL; 4H, gate array) latches data during DMA transfers. At the end of a DMA transfer, this register contains the last byte of the transfer. The CPU can read this byte before the next transfer.

Video Shift Register

The video shift register (2C, 3C, and 4C, TTL; 3C, 4C, and 5C, gate array) provides the serial bit stream to the video input of the monitor/power supply PCB. The shift register is controlled by the attribute control section by a single signal. The shift register can parallel load from the character font or it can shift right. Whenever the register shifts data out to the right, it also shifts in zeros from the left. In this way the shift register is automatically cleared to all zeros at the end of each character boundary. To create a blank character cell on the CRT, it is only necessary to inhibit the register from loading during that character cell boundary.

The output from the shift register goes to a dot stretcher composed of NPN transistor Q2 (Q3, gate array) and capacitor C30 (C61, gate array). The dot stretcher extends the on-time of the video dots so that vertical columns of single dots appear in equal intensity to the horizontal strings of dots.

After the dot stretcher, the video goes to an exclusive OR gate (7D, TTL; 6E, gate array) that creates reverse video for the cursor and reverse attributes. The video is next OR'd with any external video input (5E, TTL; 7E, gate array). Finally, the video is gated with the blanking signal (7G, TTL; 6C, gate array) from the CRT controller.

Bit Length	7 or 8 bits (user selectable)
Stop Bits	1 or 2 (user selectable)
Parity	Odd, even, mark, or none (user selectable)
Handshake Protocols	
MODEM port	XON/XOFF, DTR, both, or none
AUX port	DTR only

COMPATIBILITY

Native Mode	Wyse WY-100, Lear Siegler ADM-31
Compatible Mode	TeleVideo 910, 920, 925 ADD5 Viewpoint Hazeltine 1500

POWER

Fuse	2a, 250V
Standard	90 to 130 VAC 50/60 Hz \pm 5%
Optional	200 to 240 VAC 50/60 Hz \pm 5%
Power	45 watts
Power Available	With Logic Without Logic
+5V	500 ma 2000 ma
+12V	100 ma 200 ma
-12V	100 ma 200 ma
-23V	20 ma 40 ma

LOGIC

CPU	8031, 11 MHz
PUTC	2762
UART	2661

ENVIRONMENT

Temperature

Operating: 32 to 113 degrees F
(10 to 40 degrees C)

Storage: -40 to +140 degrees F
(-40 to +60 degrees C)

Humidity

10% to 90% relative, noncondensing

Altitude

Sea level to 15,000 feet
(0 to 4,572m)

APPENDIX B CONNECTOR PIN ASSIGNMENTS

The MODEM and AUX (auxiliary) port connector pin assignments are listed below.

MODEM RS-232C (DTE)

Pin No.	Signal
1	Shield Ground
2	Transmit Data (output)
3	Receive Data (input)
4	Request to Send (output)
* 5	Clear to Send (input)
6	Not Used
7	Signal Ground
* 8	Data Carrier Detect (input)
** 9	
10	Not Used
11	Not Used
12	Not Used
**14	
**18	
19	
20	Data Terminal Ready (output)
**24	
**25	

* Don't connect these pins. If they receive low signals, the terminal will not operate.

AUX RS-232C (DCE)

Pin No.	Signal
1	Shield Ground
2	Transmit Data (input, not used)
3	Receive Data (output)
4	Request to Send (input, not used)
5	Clear to Send (output, not used)
6	Data Set Ready (output)
7	Signal Ground
8	Data Carrier Detect (output, not used)
***20	Data Terminal Ready (input)

** Leave these pins unconnected, they carry graphics input for the WY-1000.

*** For handshaking purposes. Busy/Ready Protocol:

Busy: -3 to -12 V
Ready: +3 to +12 V

APPENDIX C SCHEMATICS

This appendix contains schematic diagrams for the logic and monitor/power supply PCB. Use them to help you troubleshoot the terminal.

Schematic	Location
Keyboard, WY-50 96-013-01, 1 of 1	C-3
Logic Board, WY-50 96-012-01, 0 of 7	C-5
Logic Board, WY-50 96-012-01, 1 of 7	C-7
Logic Board, WY-50 96-012-01, 2 of 7	C-9
Logic Board, WY-50 96-012-01, 3 of 7	C-11
Logic Board, WY-50 96-012-01, 4 of 7	C-13
Logic Board, WY-50 96-012-01, 5 of 7	C-15
Logic Board, WY-50 96-012-01, 6 of 7	C-17
Logic Board, WY-50 96-012-01, 7 of 7	C-19
Logic Board, WY-50 Gate Array Version 96-018-01 Rev. C, 1 of 2	C-21
Logic Board, WY-50 Gate Array Version 96-018-01 Rev. C, 2 of 2	C-23
Logic Board, WY-50 Gate Array Version 96-018-01 Rev. F, 1 of 2	C-25
Logic Board, WY-50 Gate Array Version 96-018-01 Rev. F, 2 of 2	C-27

Logic Board, WY-50 Gate Array II Version 96-058-01, 1 of 2	C-29
Logic Board, WY-50 Gate Array II Version 96-058-01, 2 of 2	C-31
Monitor/Power Supply, WY-50 96-019-01 Rev. E, 1 of 1	C-33
Monitor/Power Supply, WY-50 96-019-01 Rev. F, 1 of 1	C-35
Logic Board, WY-50+ 96-058-05, 1 of 2	C-37
Logic Board, WY-50+ 96-058-05, 2 of 2	C-39
Monitor/Power Supply, WY-50+ 96-019-02, 1 of 1	C-41

**WY-50+ ADDENDUM
TO THE WY-50 DISPLAY TERMINAL
MAINTENANCE MANUAL**

Document 880155-01 Rev. A

January 1986

Wyse Technology
3571 North First Street
San Jose, CA 95134

To: Wyse Servicers

From: Wyse Customer Service

Date: January 1986

Subject: WY-50 Maintenance Manual Addendum Instructions

Now that the WY-50+ is available, you'll need to service both the WY-50 and the WY-50+ terminals. This addendum package enables you to convert your existing WY-50 Maintenance Manual to a WY-50/WY-50+ Maintenance Manual. Replace the outdated pages listed below with the enclosed revised pages and add the WY-50+ appendix (Appendix D), which explains in detail all servicing differences. We have also enclosed several new schematics. These include revisions of two schematics already in your WY-50 manual, as well as the following: the WY-50+ Logic Board, the WY-50+ Monitor/Power Supply Board, and a third version of the WY-50 Logic Board.

Old Pages	New Pages	Action
Title page through vii	New Title page through vii	Replace
A-1 to A-3	A-1 to A-4	Replace
C-1	C-1 and C-2	Replace
	C-25 to C-31 C-35 to C-41	Add according to page location list on new C-1 and C-2.
	Appendix D	Add, directly after the last schematic and before the Index.
Index	Index	Replace

**WY-50/WY-50+ DISPLAY TERMINAL
MAINTENANCE MANUAL**

Document 880020-01 Rev. B

January 1986

Wyse Technology
3571 North First Street
San Jose, CA 95134

Copyright Notice

©1985 Wyse Technology. All rights reserved.

This guide, its format, and the firmware described herein are copyrighted by Wyse Technology. The firmware described in this document is furnished under a license agreement. You may not reproduce, transmit, transcribe, store in a retrieval system, or translate it into any language or computer language, in any form or by any means, electronic, mechanical, magnetic, optical, chemical, manual, or otherwise, any part of this publication without the express written permission of Wyse Technology. Except for normal backup copies, you may not copy any part of the firmware provided with this product.

Trademark

WYSE is a registered trademark of Wyse Technology. WY-50, WY-50+, and WY-1000 are trademarks of Wyse Technology. ADM-31 is a trademark of Lear Seigler/Data Products Division. TeleVideo is a registered trademark of TeleVideo Systems, Inc. ADDS Viewpoint is a trademark of Applied Digital Data Systems, Inc. Hazeltine 1500 is a trademark of Hazeltine Corp.

Disclaimer

Wyse Technology makes no representations or warranties regarding the contents of this document. We reserve the right to revise this document or make changes in the specifications of the product described within it at any time without notice and without obligation to notify any person of such revision or change.

FCC Warning

This equipment generates, uses, and can radiate radio frequency energy, and if not installed and used in accordance with the instruction manual, may cause interference to radio communications. It has been tested and found to comply with the limits for a Class A computing device pursuant to Subpart J of Part 15 of FCC Rules, which are designed to provide reasonable protection against such interference when operated in a commercial environment. Operation of this equipment in a residential area is likely to cause interference, in which case the user, at his own expense, will be required to take whatever measures may be required to correct the interference.

PREFACE

This maintenance manual contains information on how to service and repair the WY-50 and WY-50+ terminals. Appendix D describes additional diagnostic firmware specific to the WY-50+ terminal, an enhanced version of the WY-50. We assume you are a qualified service technician with previous experience in terminal and computer repair. To take full advantage of this manual, we suggest you read the information in the order presented.

HOW TO USE THIS MANUAL

This manual is divided into six chapters and four appendixes. Chapter one provides important information for the technician who has never serviced this terminal before. If you are already familiar with the terminal, the technical information in Appendix A can serve as an ongoing introduction. Here is a summary of this manual:

Chapter 1, "Product Overview" describes the terminal, including internal functions, I/O, telecommunications, environmental needs, and operator controls.

Chapter 2, "Removal and Replacement Procedures," shows you how to take the terminal apart and put it back together again. It includes instructions on how to change power requirements on the terminal from domestic to international.

Chapter 3, "Troubleshooting," tells you what to look for and how to fix problems on the terminal. It includes a list of tools needed for troubleshooting, a quick reference guide, and a flowchart.

Chapter 4, "Adjustments and Alignments," describes power supply and monitor adjustments that control the quality of the display.

Chapter 5, "Illustrated Parts List," includes a list of display and keyboard assembly parts.

Chapter 6, "Theory of Operation," describes the terminal operation by function.

Appendix A, "Specifications," lists the terminal's specifications.

Appendix B, "Connector Pin Assignments," lists the signals on each pin of the MODEM and the AUX ports located on the rear panel of the terminal.

Appendix C, "Schematics," includes schematics for the microprocessor PCB, keyboard, and monitor/power supply PCB.

Appendix D, "Servicing the WY-50+," describes new diagnostic firmware included in the WY-50+, the enhanced version of the WY-50, and lists new part numbers.

REFERENCE MANUALS

These publications provide additional information about the terminal.

WY-50 Display Terminal Reference Manual, Wyse 88-011-01

WY-50 Display Terminal Quick Reference Guide, Wyse 88-021-01

WY-50+ User's Guide, Wyse 880153-01

WY-50+ Programmer's Guide, Wyse 880154-01

TABLE OF CONTENTS

PREFACE	iii
1 GENERAL INFORMATION	1-1
Introduction.....	1-1
High Level Functional Description.....	1-2
Microprocessor.....	1-2
Memory.....	1-2
Input/Output Devices.....	1-4
Keyboard.....	1-4
CRT Display.....	1-6
Telecommunications.....	1-6
Environmental Considerations.....	1-6
Operator Controls.....	1-7
Keyboard.....	1-8
Power Cord.....	1-8
Communications Cable.....	1-8
Fuse.....	1-8
Power Switch.....	1-8
Brightness Control.....	1-8
Setup Parameters.....	1-9
Cleaning.....	1-10
2 REMOVING AND REPLACING COMPONENTS	2-1
Modules.....	2-1
Fuse Replacement.....	2-4
Keyboard Replacement.....	2-5
Keyboard Cable Replacement.....	2-6
Keyboard PCB Replacement.....	2-7
Top Cover Replacement.....	2-8
Replacing the Monitor/Power Supply PCB.....	2-8
Changing Power Requirements on the Terminal....	2-8
CRT/Yoke Assembly Replacement.....	2-12
Brightness Potentiometer Replacement.....	2-14
AC Power Switch Replacement.....	2-15
Microprocessor PCB Replacement.....	2-17
3 TROUBLESHOOTING	3-1
Introduction.....	3-1
Power-On Self Test.....	3-1
Diagnostic Self Test.....	3-2
Troubleshooting.....	3-3
Troubleshooting Flowchart.....	3-3
Power Supply Check from the Microprocessor PCB.....	3-8
Checking Horizontal Synchronization.....	3-9
Adjusting Vertical Hold.....	3-9

4	ADJUSTMENTS AND ALIGNMENTS.....	4-1
	Power Adjustments.....	4-1
	Does the Terminal Meet the Display Specifications?.....	4-3
	Aligning the Terminal Display.....	4-4
	Adjustments.....	4-5
	Height.....	4-5
	Linearity.....	4-5
	Focus.....	4-5
	Width.....	4-6
	Yoke Lock.....	4-6
	Sub-Brightness.....	4-8
	Display Magnets.....	4-8
5	ILLUSTRATED PARTS LIST.....	5-1
	WY-50 Display Assembly Parts List.....	5-2
	WY-50 Keyboard Assembly Parts List.....	5-4
6	THEORY OF OPERATIONS.....	6-1
	Introduction.....	6-1
	Raster Scan Terminology.....	6-1
	Printed Circuit Board Layout and Component Identification.....	6-2
	Microprocessor PCB Block Diagram.....	6-3
	CRT and Power Supply Block Diagram.....	6-8
	Keyboard Block Diagram.....	6-13
	Functional Description.....	6-14
	Microprocessor.....	6-14
	Communications Interface.....	6-16
	Display Memory.....	6-16
	Nonvolatile Memory.....	6-17
	Keyboard Interface.....	6-17
	Video Controller.....	6-17
	Video Clock Circuitry.....	6-17
	Programmable Video Controller.....	6-18
	Attribute Control.....	6-18
	Character Generator.....	6-19
	Row Buffer Diagnostic Register.....	6-20
	Video Shift Register.....	6-20
APPENDIXES		
A	SPECIFICATIONS.....	A-1
B	CONNECTOR PIN ASSIGNMENTS.....	B-1
C	SCHEMATICS.....	C-1
D	SERVICING THE WY-50+.....	D-1
	Introduction to WY-50+ Maintenance.....	D-1
	Troubleshooting.....	D-1
	Power-On self-Test.....	D-1
	Field Diagnostics.....	D-2
	System Diagnostic Test.....	D-2
	Transmit/Receive Communications Port Test.....	D-4

Keyboard Function Test.....	D-5
Attribute/Character Font Test.....	D-6
Alignment and Adjustment.....	D-8
Pattern M.....	D-8
Pattern O.....	D-9
Parts List.....	D-10
Schematics.....	D-10

INDEX.....	I-1
------------	-----

LIST OF FIGURES

1-1 Simplified Block Diagram.....	1-1
1-2 Memory Map.....	1-3
1-3 Keyboard.....	1-5
1-4 Terminal Dimensions.....	1-6
1-5 Operator Controls.....	1-7
2-1 Four Major Modules.....	2-2
2-2 Orientation View of Terminal and Components.....	2-3
2-3 Line Fuse Location.....	2-5
2-4 Keyboard Assembly.....	2-6
2-5 Monitor/Power Supply and Chassis.....	2-10
2-6 CRT/Yoke Assembly.....	2-12
2-7 Operator Brightness Potentiometer.....	2-14
2-8 AC Power Switch Removal.....	2-16
2-9 Microprocessor PCB Removal.....	2-18
3-1 Test Jumper.....	3-2
3-2 Troubleshooting Flowchart.....	3-4
3-3 Power Connector at the Microprocessor PCB.....	3-8
4-1 Monitor/Power Supply Component Layout.....	4-1
4-2 Yoke Lock on the CRT Neck.....	4-7
4-3 Display Magnets.....	4-8
6-1 Microprocessor PCB.....	6-2
6-2 Microprocessor PCB Block Diagram.....	6-4
6-3 Monitor/Power Supply Block Diagram.....	6-10
6-4 Horizontal Oscillator Timing.....	6-12
6-5 Vertical Timing.....	6-13
6-6 Keyboard Block Diagram.....	6-13
D-1 Keyboard Function Test Pattern.....	D-6
D-2 Attribute/Character Font Test.....	D-7
D-3 Pattern M.....	D-8
D-4 Pattern O.....	D-9

LIST OF TABLES

3-1 Error Message Definitions.....	3-1
4-1 Problems and Adjustments.....	4-4
4-2 Screen Areas Affected by Display Magnets.....	4-9
6-1 8031 Pin Assignments.....	6-14
D-1 Power-On Self-Test Error Codes.....	D-1
D-2 System Diagnostic Test Error Codes.....	D-3
D-3 Transmit/Receive Com Port Test Error Codes.....	D-5
D-4 Test Pattern Problems and Adjustments.....	D-10

APPENDIX A SPECIFICATIONS

PHYSICAL

Dimensions	Video Module: 12"H x 12.3"W x 13"D (30.48cm x 31.24cm x 33.02cm) Video Module Base: 1.25"H x 12.25"W x 10.25"D (3.20cm x 31.12cm x 26.04cm) Keyboard: 2.25"H x 17.25"W x 7.6"D (5.72cm x 43.82cm x 19.3cm)
Net Weight	30 lbs. (13.5kg approx.)
Finish	Two-tone gray

CRT

Size	14" diagonal (35.56cm)
Display	Nonglare, P138 green phosphor Nonglare, P134 orange phosphor Swivel: 270 degrees Tilt: 15 degrees
Screen Format	80 or 132 columns (user selectable) 26 rows (two rows for terminal status and function key identification)
Character Matrix	80 column: 7 x 13 matrix, 10 x 13 cell 132 column: 7 x 13 matrix, 9 x 13 cell
Character Set	128 characters (96 displayable ASCII characters, 16 control code symbols, and 16 graphics characters)
Language Keyboard Codes	U.S. (American), U.K. (British), French, German, Spanish, Danish

Video Attributes	Normal, dim, blink, blank, underline, and reverse
Horizontal Frequency	22.9 KHz
Video Bandwidth	17.0 MHz
Total Active Scan Lines	338
Total Scan Lines	375
Total Pixel Resolution	800 by 338
Cursor	Block or line Blinking or nonblinking (user selectable)
Memory	One page

KEYBOARD

Type	Low-profile detached, with 6-foot coiled cable (1.83m) Two-position tilt (low position meets DIN specification)
Keys	101, including 16 programmable function keys (shiftable to 32), and numeric keypad. N-key rollover with ghost key lockout

COMMUNICATIONS

Ports	Two independent EIA RS-232C interfaces
Mode	Asynchronous TTY compatible (block and conversational)
Baud Rates	MODEM: 50, 75, 110, 134.5, 150, 300, 600, 1200, 1800, 2000, 2400, 4800, 9600, 19.2K, 38.4K bps AUX: 110, 134.5, 150, 300, 600, 1200, 1800, 2000, 2400, 3600, 4800, 7200, 9600, 19.2K bps

Bit Length	7 or 8 bits (user selectable)
Stop Bits	1 or 2 (user selectable)
Parity	Odd, even, mark, or none (user selectable)
Handshake Protocols	
MODEM port	XON/XOFF, DTR, both, or none
AUX port	DTR only

COMPATIBILITY

Native Mode	Wyse WY-100, Lear Siegler ADM-31
Compatible Mode	TeleVideo 910, 920, 925 ADDS Viewpoint Hazeltine 1500

POWER

Fuse	2a, 250V	
Standard	90 to 130 VAC 50/60 Hz \pm 5%	
Optional	200 to 240 VAC 50/60 Hz \pm 5%	
Power	45 watts	
Power Available	With Logic	Without Logic
+5V	500 ma	2000 ma
+12V	100 ma	200 ma
-12V	100 ma	200 ma
-23V	20 ma	40 ma

LOGIC

CPU	8031, 11 MHz
PUTC	2762
UART	2661

ENVIRONMENT

Temperature

Operating: 32 to 113 degrees F
(10 to 40 degrees C)

Storage: -40 to +140 degrees F
(-40 to +60 degrees C)

Humidity

10% to 90% relative, noncondensing

Altitude

Sea level to 15,000 feet
(0 to 4,572m)

APPENDIX C SCHEMATICS

This appendix contains schematic diagrams for the logic and monitor/power supply PCB. Use them to help you troubleshoot the terminal.

Schematic	Location
Keyboard, WY-50 96-013-01, 1 of 1	C-3
Logic Board, WY-50 96-012-01, 0 of 7	C-5
Logic Board, WY-50 96-012-01, 1 of 7	C-7
Logic Board, WY-50 96-012-01, 2 of 7	C-9
Logic Board, WY-50 96-012-01, 3 of 7	C-11
Logic Board, WY-50 96-012-01, 4 of 7	C-13
Logic Board, WY-50 96-012-01, 5 of 7	C-15
Logic Board, WY-50 96-012-01, 6 of 7	C-17
Logic Board, WY-50 96-012-01, 7 of 7	C-19
Logic Board, WY-50 Gate Array Version 96-018-01 Rev. C, 1 of 2	C-21
Logic Board, WY-50 Gate Array Version 96-018-01 Rev. C, 2 of 2	C-23
Logic Board, WY-50 Gate Array Version 96-018-01 Rev. F, 1 of 2	C-25
Logic Board, WY-50 Gate Array Version 96-018-01 Rev. F, 2 of 2	C-27

Logic Board, WY-50 Gate Array II Version 96-058-01, 1 of 2	C-29
Logic Board, WY-50 Gate Array II Version 96-058-01, 2 of 2	C-31
Monitor/Power Supply, WY-50 96-019-01 Rev. E, 1 of 1	C-33
Monitor/Power Supply, WY-50 96-019-01 Rev. F, 1 of 1	C-35
Logic Board, WY-50+ 96-058-05, 1 of 2	C-37
Logic Board, WY-50+ 96-058-05, 2 of 2	C-39
Monitor/Power Supply, WY-50+ 96-019-02, 1 of 1	C-41

APPENDIX D SERVICING THE WY-50+

INTRODUCTION TO WY-50+ MAINTENANCE

Servicing the WY-50+ is nearly the same as servicing the WY-50. Major feature differences include the amber screen, additional compatible modes, a bi-directional AUX port, Wyseword standard, and multiple pages of memory (two standard, four optional). New servicing features include an expanded set of field diagnostics, a keyboard function test, a test to check all character sets, and two new built-in test patterns for display alignment.

TROUBLESHOOTING

Added troubleshooting features include an improved self-test, a new diagnostic self-test, a communication port test, a keyboard function test, an attribute/character font test, and a new display to check all attributes.

Note--Running the diagnostic tests described here (other than the power-on self-test) defaults all setup parameters and function keys.

Power-On Self-Test

When a user turns the terminal on, it performs a self-test of the logic PCB. If the self-test discovers a failure, an alphanumeric error code indicating failure type will appear in the lower-right corner of the display. An error code usually indicates logic PCB replacement. Table D-1 lists and explains the error codes.

Table D-1 Power-On Self-Test Error Codes

Error Message	Error Type
0	RAM bank 0
1	RAM bank 1
K	Reinitialize EAROM (Press the SETUP key to continue or turn off the terminal, then on again. Replace logic PCB only if error appears repeatedly.)
P	Code ROM checksum
Z	Processor RAM

The self-test checks RAM, EAROM, and the CPU. The RAM test is a read/write test that checks all 8K of RAM, or all 16K if additional memory is installed on the logic PCB. The CPU test checks 128 bytes of RAM in the CPU, the data lines, and the address lines. The EAROM test calculates the EAROM's checksum, and compares it to the checksum bit stored in the ROM.

FIELD DIAGNOSTICS

The WY-50+ contains four new field diagnostics:

- o The System Diagnostic Test, an expanded version of the diagnostic self-test on page 3-2 of the WY-50 Maintenance Manual.
- o A Transmit/Receive Test for the communications ports.
- o A Keyboard Function Test.
- o An Attribute/Character Font Test

The following sections describe the diagnostic procedures, the new error codes, and the new test connectors and cables.

System Diagnostic Test

This test is an expanded version of the power-on self-test. It checks memory, buffers, the CPU, and communications.

Follow these steps to perform the system diagnostic test:

1. Turn off the terminal.
2. Install the system diagnostic test connectors on the AUX and MODEM ports (see page D-4 for connector definitions).
3. Turn on the terminal.
4. Hold down the SHIFT key, then press the SETUP key.
5. Press the cursor DOWN key until the TEST parameter appears on the bottom line of the screen.
6. Press the cursor LEFT key once. The cursor highlights the TEST field.
7. Press the spacebar. This toggles the test field on.
8. Leave setup mode by holding down the SHIFT key and pressing the SETUP key again.
9. Save the selection by pressing the Y key. This starts the diagnostic self-test.

If the system diagnostic test doesn't find any errors, a flashing pattern should appear on the screen.

If it does find an error, the screen will blank and an error code will appear in the lower-right corner of the display. Replace the logic PCB.

Table D-2 lists and describes the system diagnostic test error codes.

Table D-2 System Diagnostic Test Error Codes

Error Message	Error Type
0	Buffer RAM, IC 0
1	Buffer RAM, IC 1 (if memory is expanded)
9	EAROM
R	Row Buffer
K	No initialization on power-up
A	Modem, RTS to CTS
C	Modem, DTR to DCD
E	AUX Ready to AUX RTS
P	Control PROM
Z	8031 processor
X	MODEM port loopback
Y	AUX port loopback

Caution--If you save the ON test parameter, turn off the power, and remove the test connectors, an error condition will result the next time someone turns on the terminal. Remember to default the terminal before returning it to the user.

Follow these steps to stop the system diagnostic test:

1. Hold down the space bar until the flashing pattern stops.
2. Turn the terminal off.
3. Remove the test connectors. Default the terminal.

System Diagnostic Test Connector Definitions--The diagnostic self-test connectors for both the MODEM and the AUX ports are made from 25-pin, male, D-type connectors. (You can find information to order ready-made connector sets under Parts List on page D-10.)

Connect these pins:

MODEM Port	AUX Port
Pin 2 to Pin 3 (TxD to RxD)	Pin 2 to Pin 3 (TxD to RxD)
Pin 4 to Pin 5 (RTS to CTS)	Pin 6 to Pin 20 (DSR to DTR)
Pin 8 to Pin 20 (DCD to DTR)	

Transmit/Receive Communication Port Test

This test transmits data between the MODEM and AUX ports. If either port doesn't receive or recognize the data from the other port, an error code will appear on the screen.

Follow these steps to perform the test:

1. Turn off the terminal.
2. Install the communication port test cable on the AUX and MODEM ports (see page D-5 for a cable definition).
3. Turn on the terminal.
4. Hold down the SHIFT key, then press the SETUP key.
5. Press the cursor DOWN key until the TEST parameter appears on the bottom line of the screen.
6. Press the cursor LEFT key once. The cursor highlights the TEST field.
7. Press the spacebar. This toggles the test field on.
8. Leave setup by holding down the SHIFT key and pressing the SETUP key again.
9. Save the selection by pressing the Y key. This starts the communications port test.

If the communication port test doesn't find any errors, a flashing test pattern should appear on the screen.

If the communication port test does find an error, the screen will blank and an error code will appear in the lower-right corner of the display. Replace the logic PCB. Table D-3 lists and describes the error codes.

Table D-3 Transmit/Receive Communication Port Test Error Codes

Error Message	Error Type
W	Xmit/Rcv error, MODEM to AUX
Z	Xmit/Rcv error, AUX to MODEM

Note--Error messages listed on other tables may appear when this test runs, but most errors will be those listed above.

Caution--If you save the ON test parameter, turn off the power, and remove the test connectors, an error condition will result the next time someone turns on the terminal. Remember to default the terminal before returning it to the user.

Follow these steps to stop the test:

1. Hold down the SETUP key until the flashing pattern stops.
2. Turn the terminal off.
3. Remove the test cable. Default the terminal.

Transmit/Receive Communication Port Test Cable Definitions--The transmit/receive communication port test cable requires two 25-pin, male, D-type connectors, and wire to connect pins on each connector and to connect the two connectors together. (You can find information to order ready-made cables under Parts List on page D-10.)

Connect these pins:

MODEM Port (DTE)		AUX Port (DCE)
Pin 2 (TxD)	to	Pin 2 (RxD)
Pin 3 (RxD)	to	Pin 3 (TxD)
Pins 4 to 5		Pins 6 to 20
Pins 8 to 20		

Keyboard Function Test

The keyboard function test checks the keyboard.

Note--The keyboard function test does not test the following keys: SHIFT, FUNCT, CAPS LOCK, SETUP, BREAK, or CTRL. If you press ENTER, the terminal will return to the system diagnostic test. Pressing function keys F1 through F16 will change attributes on portions of the test screen.

Follow these instructions to perform the keyboard test:

1. Start the system diagnostic test described on page D-2.
2. Hold down the space bar until the test pattern stops flashing.
3. Hold down the CTRL key, then press the A key until you see the screen in Figure D-1.
4. Find the bottom line of "m"s. Press the letter keys that you are testing, and watch the letters change in the middle of the bottom line.

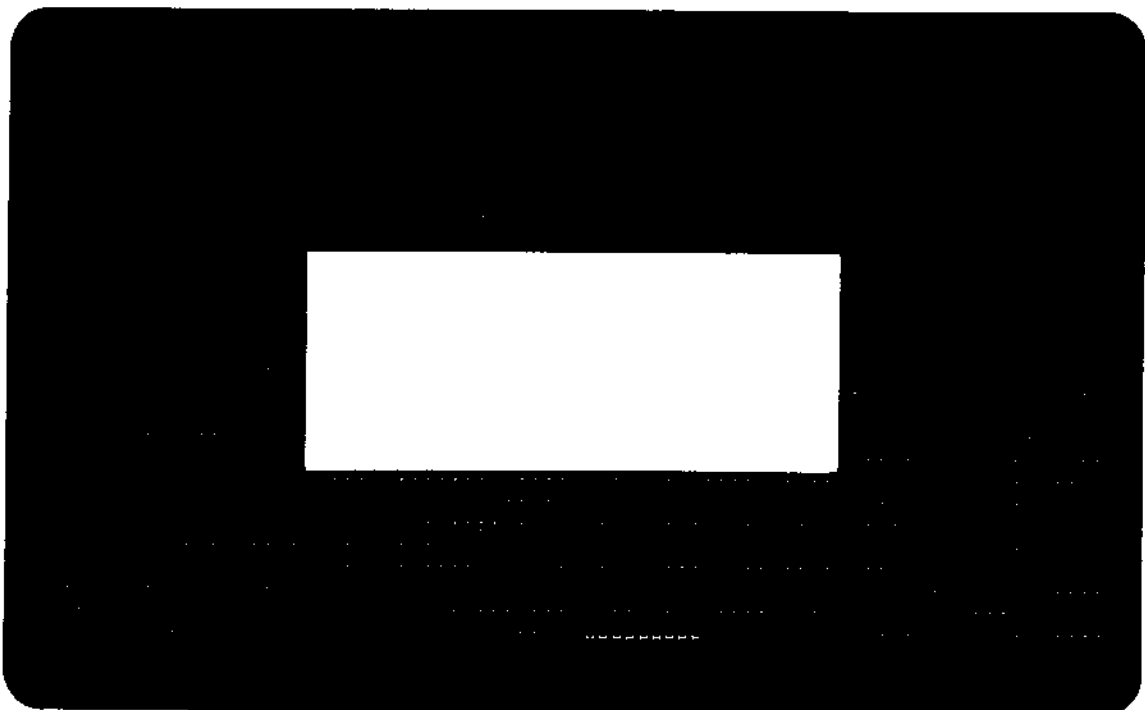
If the letter keys in question don't work, replace the keyboard PCB.

If the letters do change during the test, but fail to respond during normal operation, check the logic PCB or the computer.

Follow these steps to stop the test:

1. Press the SETUP key until the flashing pattern stops.
2. Turn the terminal off.
3. Remove the test connectors. Default the terminal.

Figure D-1 Keyboard Function Test Pattern



Attribute/Character Font Test

This test allows you to check all the attributes and the character font.

Follow these steps to perform the test:

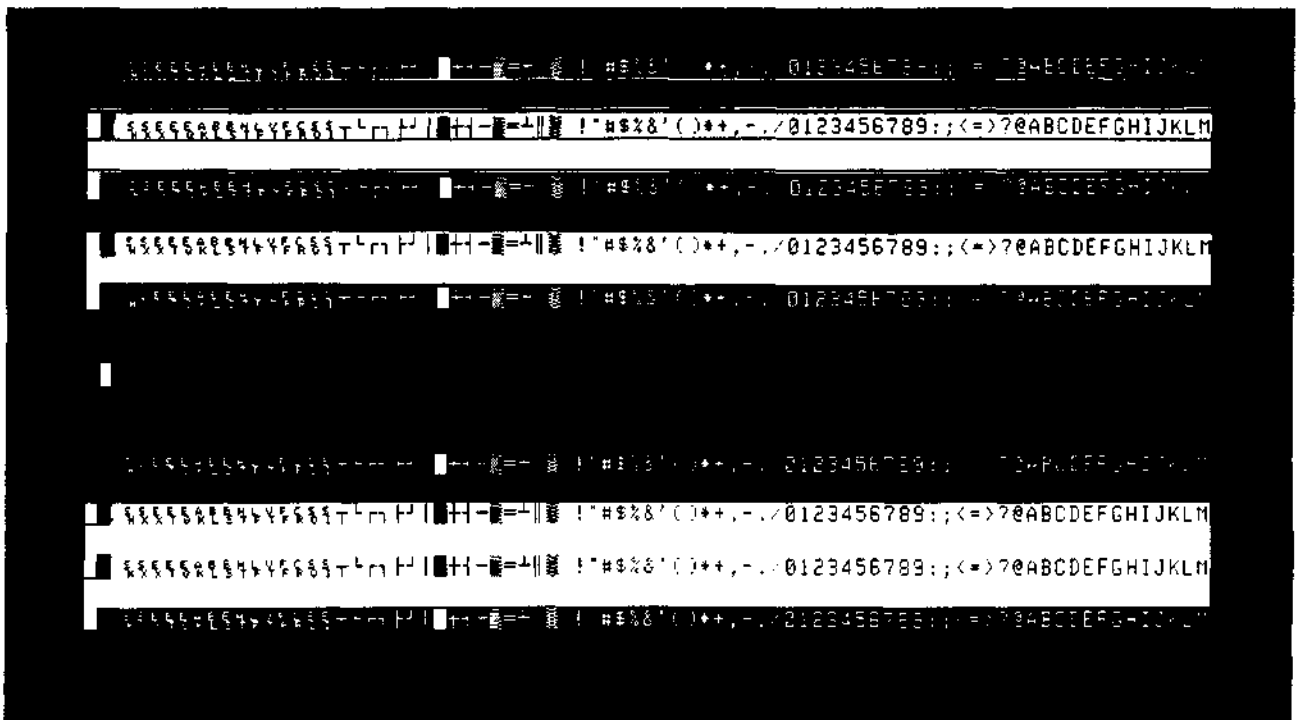
1. Start the system diagnostic test described on page D-2.
2. Hold the SETUP key down until the test pattern stops flashing.
3. Hold the CTRL key down, then press the A key until you see the screen in Figure D-2.
4. Look for the following features:

Attributes: Normal, Blank, Blink, Underline, Dim, and Reverse

A full character set

If one or more of the features doesn't appear, replace the logic PCB.

Figure D-2 Attribute/Character Font Test Pattern



Follow these steps to stop the test:

1. Press the SETUP key until the flashing pattern stops.
2. Turn the terminal off.
3. Remove the test connectors. Default the terminal.

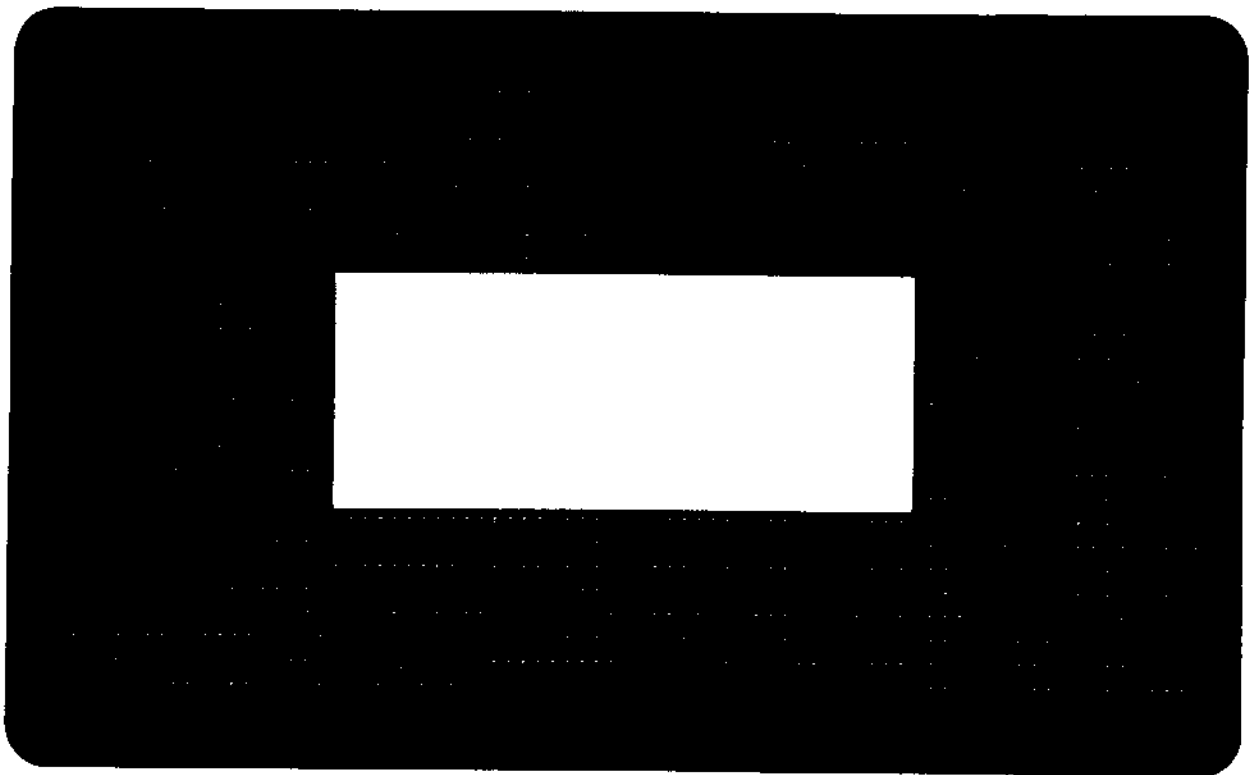
ALIGNMENT AND ADJUSTMENT

This terminal has two new test patterns, which you can call to align the display more accurately and quickly: Pattern M and Pattern O.

Pattern M

Pattern M helps you detect and correct linearity, brightness, and focus (see Figure D-3). This pattern is an 80-column display of characters. Two blocks in the center of the pattern indicate brightness: dim and normal.

Figure D-3 Pattern M



Pattern 0

Pattern 0 helps you detect and correct pincushion, tilt, centering, and size problems (see Figure D-4). This pattern is a full-reverse, normal brightness display in 80-column format. Two pairs of parallel lines cross in the center, making four quadrants. Two additional vertical lines, one on either side of the pattern, indicate brightness intensity levels.

Note--You can verify the display tolerances using a display reticle, available from WYSE, Part No. 09-001-03. Instructions to use the reticle are included with it.

Figure D-4 Pattern 0

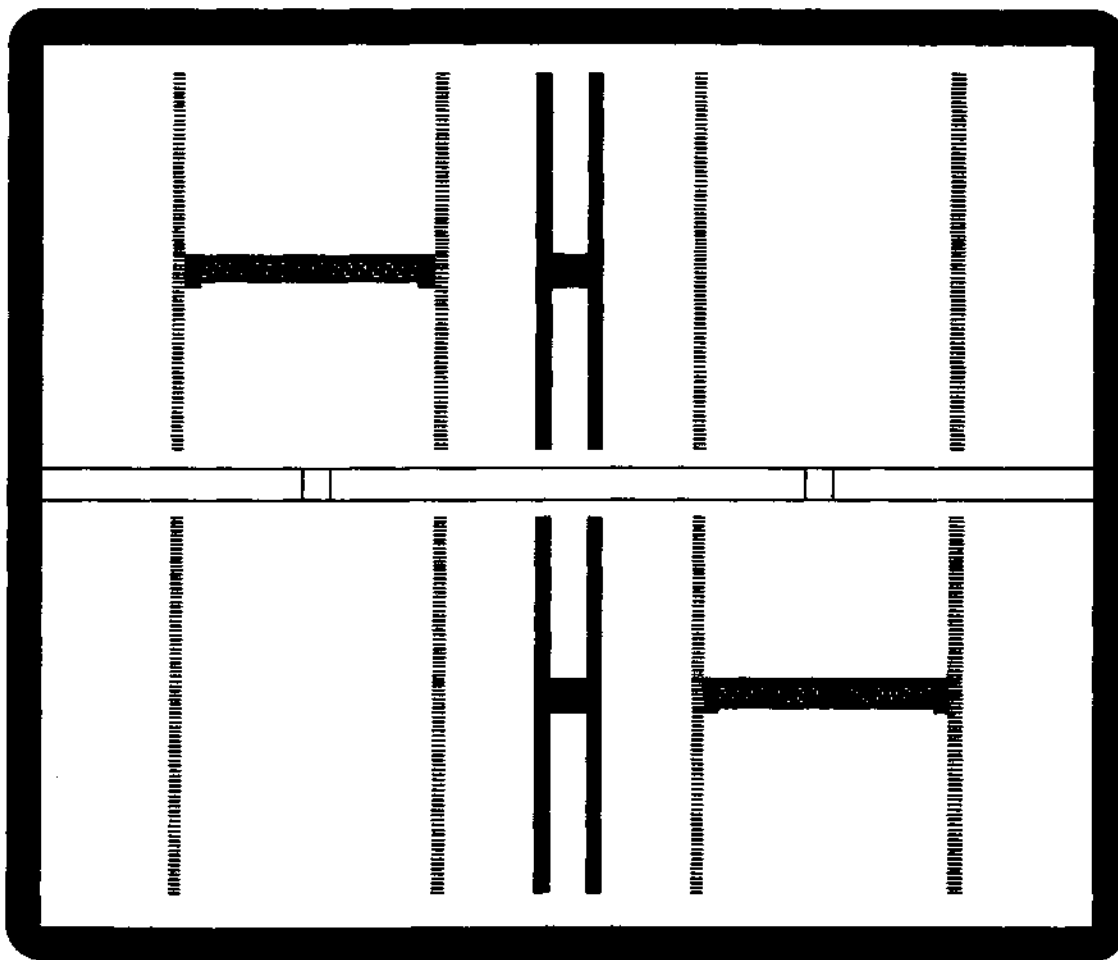


Table D-4 lists adjustments, display problems, and the pattern that is best suited to make the adjustment.

Table D-4 Test Pattern Problems and Adjustments

Test Pattern	Display Problems	Adjustments
M	Letters at the top of the display aren't the same height as those at the bottom of the display	Linearity
M	Fuzzy letters	Focus
M	Too bright; too dim; raster scan lines show	Brightness
O	Too short or too tall	Height
O	Too wide or too narrow	Width
O	Not centered	Centering
O	Not level	Yoke Lock
O	Pincushioning, barreling, crooked edges, corners sag or move out of tolerance	Display magnets

PARTS LIST

The WY-50+ contains three new assemblies that differ from the standard WY-50 terminal: the Logic PCB, the Monitor/Power Supply PCB, and the Amber CRT. The terminal also comes with test connectors and cables. You can order all other replaceable units with the spare part numbers assigned to the WY-50.

Part Number	Description
840293-01	WY-50+ Logic PCB
99-019-02	WY-50+ Monitor/Power PCB
780026-01	WY-50+ Amber CRT
94-0233-01	WY-50+ System Diagnostic Test Connector Set
94-0238-01	WY-50+ Transmit/Receive Comm Port Test Cable
09-001-03	WY-50+ Display Reticule

SCHEMATICS

See Appendix C, "Schematics," to find schematic diagrams of the WY-50+ Logic PCB and Monitor/Power Supply PCB.

INDEX

A

Address Decoder, 6-5
Adjustment
 display, 4-4, D-8, D-10
 display magnets, 4-8, D-10
 focus, 4-5, D-8
 height, 4-5, D-10
 linearity, 4-5, D-8
 sub-brightness, 4-8
 width, 4-6, D-10,
 yoke lock, 4-6, D-10
Alignment
 display, 4-4, D-8, D-10
Altitude
 operational range, A-3
Attribute Bit Assignments, 6-19
Attribute/Character Font Test, D-6
Attribute Controller, 6-19
Attribute Decoding Logic, 6-6
Attribute Latches, 6-7
Attributes
 video, A-1
Auxiliary Port, 6-16
 handshake, A-3
Auxiliary
 baud rate, A-2

B

Bandwidth
 video, A-1
Baud Rate
 auxiliary port, A-2
 MODEM port, A-2
Bidirectional Bus Driver, 6-6
Bit Assignments
 attribute, 6-19
Bit Length
 MODEM port, A-2
Blanking
 horizontal, 6-1
 vertical, 6-1

C

Cathode Ray Tube, 6-1
Character, 6-7
 set, A-1
Character Cell, 6-19
Character Generator, 6-7

- Character Matrix, 6-1, A-1
- Circuits
 - row decoder/key closure detection, 6-14
 - video clock, 6-17
- Column Decoder, 6-14
- Command Latch, 6-7
- Communications Mode, A-2
- Compatible Terminal Mode, A-3
- Component Diagram
 - monitor/power supply, 4-1
- Component Identification
 - x-y axis, 6-2
- Connections for
 - TCOM Test Plug, 3-2
- Control
 - attribute, 6-18
- Controller
 - CRT, 6-5
 - programmable video, 6-18
 - video, 6-17
- Converters
 - DC to AC, 6-9
 - level (EAROM), 6-7
 - level (EIA to TTL), 6-8
 - level (TTL to EIA), 6-8
 - parallel to serial, 6-7
- CPU Clock Generator, 6-8
- CRT, 1-4, 6-1, 6-11
- CRT Controller, 6-5
- Cursor
 - type, A-2

D

- DC to AC Converter, 6-9
- Decoder
 - address, 6-5
 - column, 6-14
- Diagnostic Self-Test, 3-2, D-1
- Disable, 6-1
- Display
 - color, A-1
 - capacity, 1-6
 - margins, size of, 4-3
 - measurement, tools required, 4-3
 - RAM, 6-5
 - specification, 4-3
 - WY-50+, A-1, D-1
- Display Alignment, 4-4, D-8, D-10
 - tools required, 4-4
- Display Magnets
 - adjustment, 4-8, D-10
 - screen areas affected by, 4-9
- Domestic Power Requirements, 2-8
- Dot Stretcher, 6-7

Doubler
voltage, 6-8

Driver
bidirectional bus, 6-6
line, 6-14
video, 6-7, 6-11

E

Environmental Considerations
air flow, 1-7
temperature, 1-7

Error Messages
power-on self-test, 3-1, D-1
system diagnostic test, D-3
transmit/receive communication port test D-5

F

Field, 6-1
Flyback Transformer, 6-11
Focus Adjustment, 4-5
Frequency
horizontal, A-1
Fuse Requirements, 1-8

G

Generator
character, 6-7, 6-19
CPU clock, 6-8
TCOM clock, 6-8
video clock, 6-7

H

Handshake
AUX port, A-3
MODEM port, A-2
Height Adjustment, 4-5, D-10
Horizontal Blanking, 6-1
Horizontal Frequency, A-1
Horizontal Oscillator, 6-11
Horizontal-Synchronization Signal
how to check, 3-3
Humidity
operational range, A-3

I

Installation, 1-7
communications cable, 1-8
fuse, 1-8
keyboard, 1-8
power cord, 1-8
printer, 1-8

Interface

- asynchronous, 1-6
- cables, A-2
- communication, 6-16
- keyboard, 6-17
- modem, 1-6
- primary, 1-6
- RS-232C, 1-6

International Power Requirements, 2-8

K

- Key Closure Detection, 6-14
- Key Switch Matrix, 6-14
- Keyboard, 1-4
 - specifications, A-1, A-2
- Keyboard Codes
 - language, A-1
- Keyboard Function Test, D-5
- Keyboard Latch, 6-6

L

Language Keyboard Codes, A-1

Latch

- attribute, 6-7
- character generator address, 6-7
- command, 6-7
- keyboard, 6-6
- low buffer, 6-6
- low order address, 6-6
- memory bus control, 6-6
- row address, 6-6
- row buffer data latch, 6-6
- row buffer diagnostic, 6-6
- Level Converters (EAROM), 6-7
- Level Converters (EIA to TTL), 6-8
- Level Converters (TTL TO EIA), 6-8
- Line Drivers, 6-14
- Linearity Adjustment, 4-5
- Logic
 - attribute decoding, 6-6
- Logic Specifications, A-3
- Low Buffer Latch, 6-6
- Low Order Address Latch, 6-6

M

- Main Switching Power Transformer, 6-9
- Major Replaceable Units
 - WY-50/WY-50+, 2-1
- Materials Needed
 - WY-50/WY-50+ removal and replacement, 2-3
- Matrix
 - character, 6-1
 - key switch, 6-14

Memory

- display, 6-16
- nonvolatile, 6-7, 6-17
- screen, A-2

Memory Bus Control, 6-19

Memory Bus Control Latch, 6-6

Microprocessor

- single component, 6-5

Mode

- communications, A-2
- compatible terminal, A-3
- native, A-3

MODEM Port, 6-16

- baud rate, A-2
- bit length, A-2
- handshake, A-2
- parity bit, A-2
- stop bit, A-2

Multiplexer

- pass-thru, 6-8
- RAM address, 6-5

N

Native Mode, A-3

Net Weight, A-1

Nonvolatile Memory, 6-7

O

Operator Controls

- brightness, 1-8
- power, 1-8
- setup parameters, 1-9

Orientation

- WY-50/WY-50+, 2-1

Oscillator

- horizontal, 6-11
- vertical, 6-11

P

Parallel-to-Serial Converter, 6-7

Parity Bit

- MODEM port, A-2

Pass-Thru Multiplexer, 6-8

in Assignments

- 8031, 6-14

Port

- AUX, 6-16
- MODEM, 6-16

Power, A-3

Power Requirements

- how to change, 2-8

Power Supply

- how to adjust, 4-1
- adjustment, tools required, 4-2
- voltages, 6-8

Power Supply Quick-Reference Procedure, 3-3
Power-On Self-Test Error Messages, 3-1, D-1
Problems and Adjustments, 4-4, D-10
PROM, 6-5
Protected Characters, 6-19

R

RAM

display, 6-5
row buffer, 6-6
RAM Address Multiplexer, 6-5
Register
row buffer diagnostic, 6-20
video shift, 6-20
Reverse Video Functions, 6-19
Row Address Latches, 6-6
Row Buffer Data Latch, 6-6
Row Buffer Diagnostic Latch, 6-6
Row Buffer RAM, 6-6
Row Decoder/Key Closure Detection Circuit, 6-14
Row Decoding, 6-14

S

Scan Lines, 6-1
total, A-2
total active, A-2
Schematics, C-1
Screen
format, A-1
memory, A-2
size, A-1
Self-Test
diagnostic, 3-2
power-on, 3-1
Setup Mode, 1-8, 1-9
Single Component Microprocessor, 6-5
Specifications, A-1
display, 4-3
display margins, 4-3
Stop Bit
MODEM port, A-2
Sub-Brightness Adjustment, 4-8
Supply
+12 volt, 6-11
+24 volt, 6-11
+5 volt, 6-11
-12 volt, 6-11
-23 volt, 6-11
Swivel, A-1
System Diagnostic Test, D-2
System Firmware, 1-3

T

TCOM Clock Generator, 6-8

TCOM Test Plug, 3-2

Telecommunications Interfaces, 1-4

Temperature

operational range, A-3

Terminal

clearances, 1-6

compatible mode, A-3

placement of, 1-6

specifications, A-1

Test Pattern

alignment, 4-3, D-8, D-10

attribute/character font, D-7

Pattern M, D-8

Pattern O, D-9

problems and adjustments, 4-4, D-10

Tilt, A-1, D-9

Tools Needed

WY-50/WY-50+ removal and replacement, 2-3, 2-4

Tools Required for Display Alignment, 4-4

Tools Required for Display Measurement, 4-3

Tools Required for the Power Supply Quick Reference Check, 3-8,
4-2

Tools Required to Check Horizontal Synchronization, 3-9

Transformer

flyback, 6-11

main switching power, 6-9

Transmit/Receive Communications Port Test, D-4

Troubleshooting Flowchart, 3-3

how to use, 3-3

WY-50+, D-1

U

UART, 6-5

V

Vertical Blanking, 6-1

Vertical Hold

early terminals, 3-9

how to adjust, 3-9

Vertical Oscillator, 6-11

Video

attributes, A-1

Video Bandwidth, A-1

Video Clock Generator, 6-7

Video Drivers and Dot Stretcher, 6-7, 6-11

Voltages

specifications, A-3

power supply, 6-8

+12 volt supply, 6-11

+24.5 volt supply, 6-11

+5 volt supply, 6-11

-12 volt supply, 6-11

-23 volt supply, 6-11

Voltage Doubler, 6-8
VR201, 4-2

W

Width Adjustment, 4-6

WY-50+

Attribute/Character Font Test, D-7
test pattern, D-7

Characteristics, D-1

Display (amber), A-1, D-1

alignment and adjustment, D-8

Keyboard Function Test, D-5

Part Numbers, D-10

Power-On Self-Test, D-1

error messages, D-1

Schematics, C-31, C-33, C-35, D-10

System Diagnostic Test, D-1

error messages, D-3

connector definitions, D-4

Test Patterns

attribute/character font, D-7

Pattern M, D-6, D-8

Pattern O, D-9

problems and adjustments, D-10

Transmit/Receive Communication Port Test, D-4

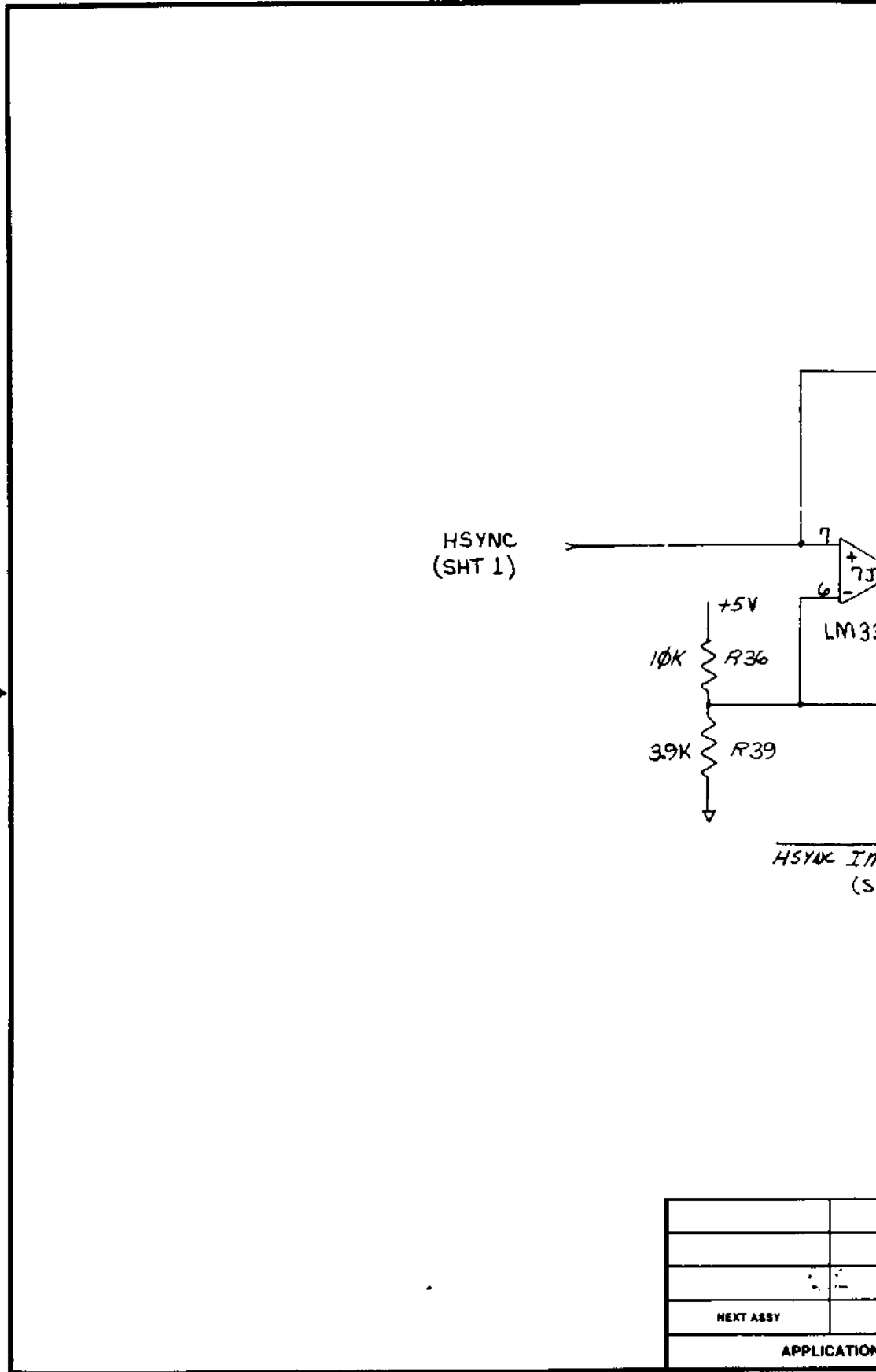
error messages, D-5

cable definitions, D-5

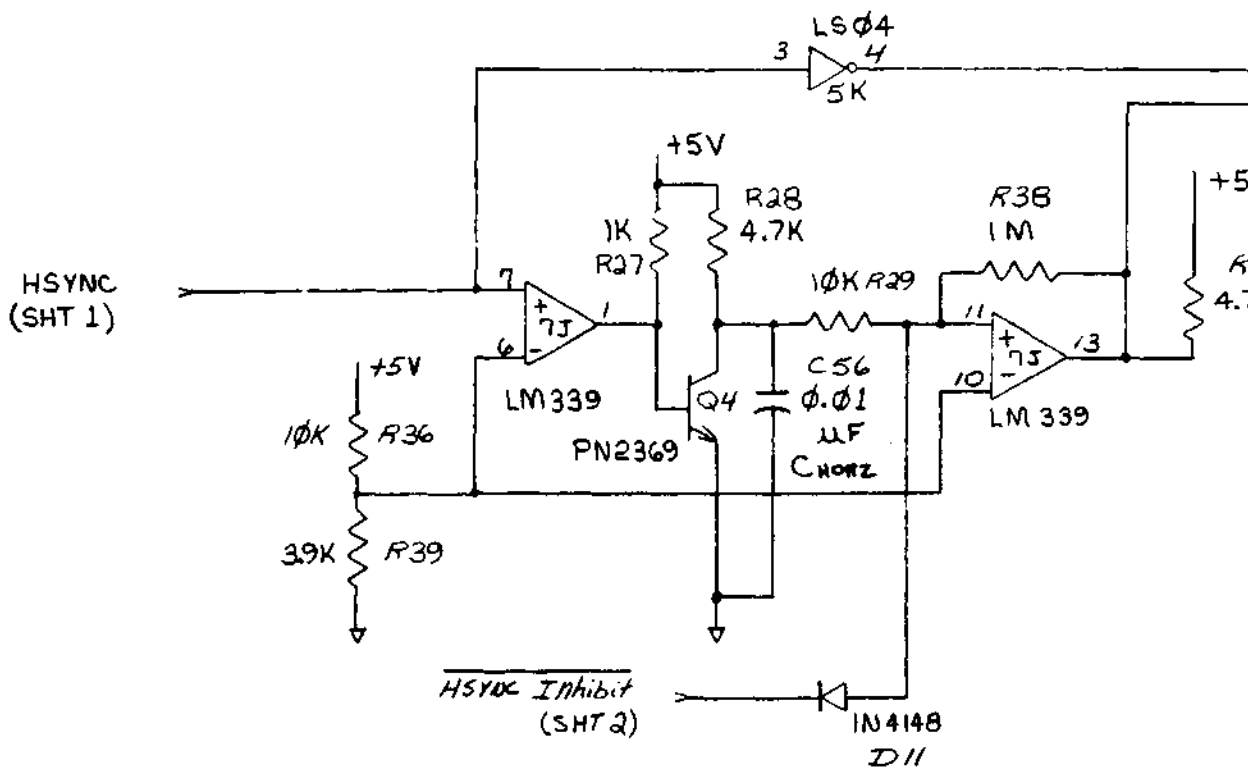
Troubleshooting, D-1

Y

Yoke Lock Adjustment, 4-6, D-10



NEXT ASSY	
APPLICATION	

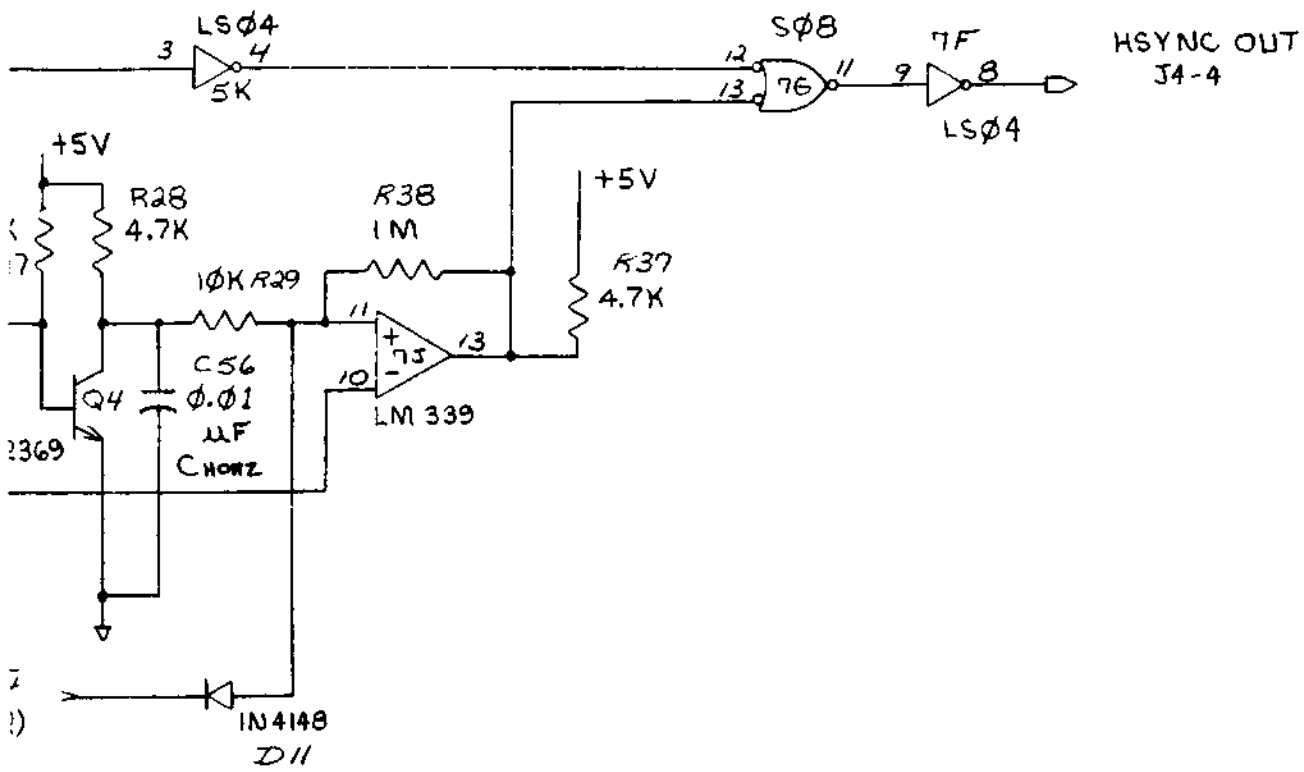


QTY	FSCM	PART OR	
REQD	NO.	IDENTIFYING NO.	
UNLESS OTHERWISE SPECIFIED DIMENSIONS ARE IN INCHES TOLERANCES ARE:			CONTRACT NO.
FRACTIONS	DECIMALS	ANGLES	
±	.XX ±	±	
	.XXX ±		APPROVALS
MATERIAL			DRAWN
FINISH			CHECKED
NEXT ASSY	USED ON		ISSUED
APPLICATION			DO NOT SCALE DRAWING

DWG. NO. SH REV.

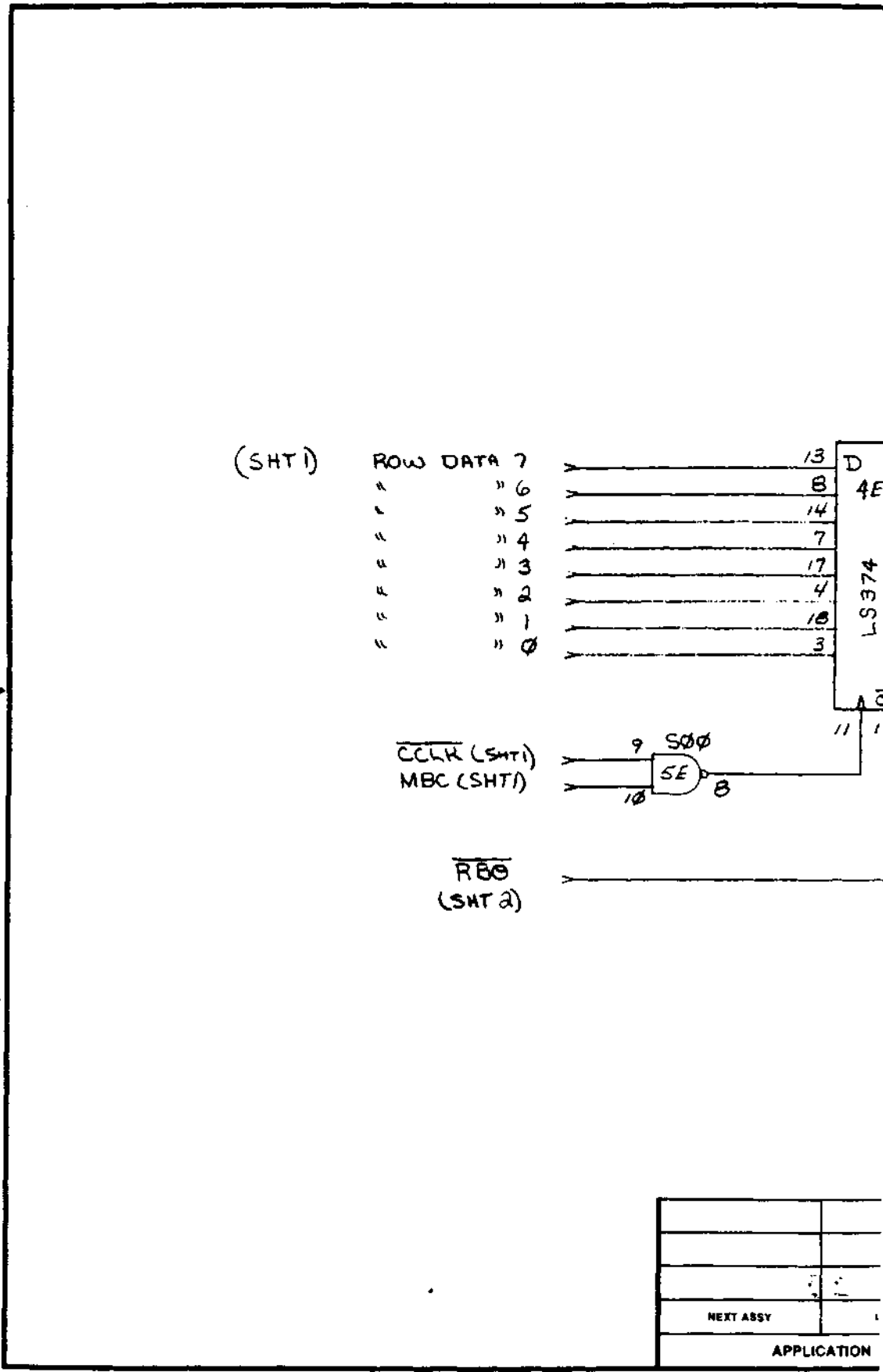
REVISIONS

REV.	DESCRIPTION	DATE	APPROVED

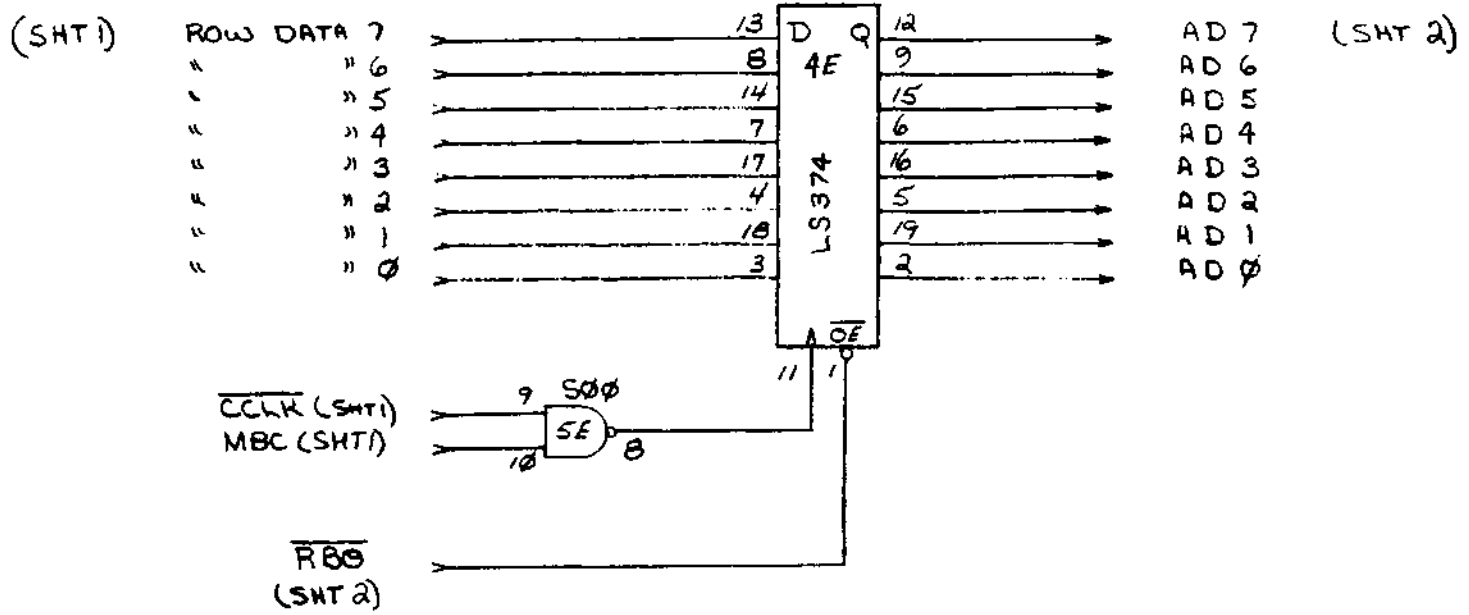


HSYNC STRETCHER

QTY REQD	FSCM NO.	PART OR IDENTIFYING NO.	NOMENCLATURE OR DESCRIPTION	MATERIAL SPECIFICATION
PARTS LIST				
UNLESS OTHERWISE SPECIFIED DIMENSIONS ARE IN INCHES TOLERANCES ARE:		CONTRACT NO.		
FRACTIONS =	DECIMALS .XX ±	ANGLES =	 WYSE TECHNOLOGY	
APPROVALS				
MATERIAL	DRAWN		LOGIC BOARD, WY 50	
FINISH	CHECKED			
ON	ISSUED		SIZE B	FSCM NO.
DO NOT SCALE DRAWING		SCALE		DWG. NO. 96-012-01
SHEET 6 of 7			REV. D3	



NEXT ASSY	
APPLICATION	



QTY REQD	PSCM NO.	PART OR IDENTIFYING NO.	
UNLESS OTHERWISE SPECIFIED DIMENSIONS ARE IN INCHES TOLERANCES ARE:		CONTRACT NO.	
FRACTIONS ±	DECIMALS .XX ± .XXX ±	ANGLES ±	APPROVALS
MATERIAL		DRAWN	
FINISH		CHECKED	
NEXT ASSY	USED ON	ISSUED	
APPLICATION		DO NOT SCALE DRAWING	



DWG. NO.	SH	REV.
----------	----	------

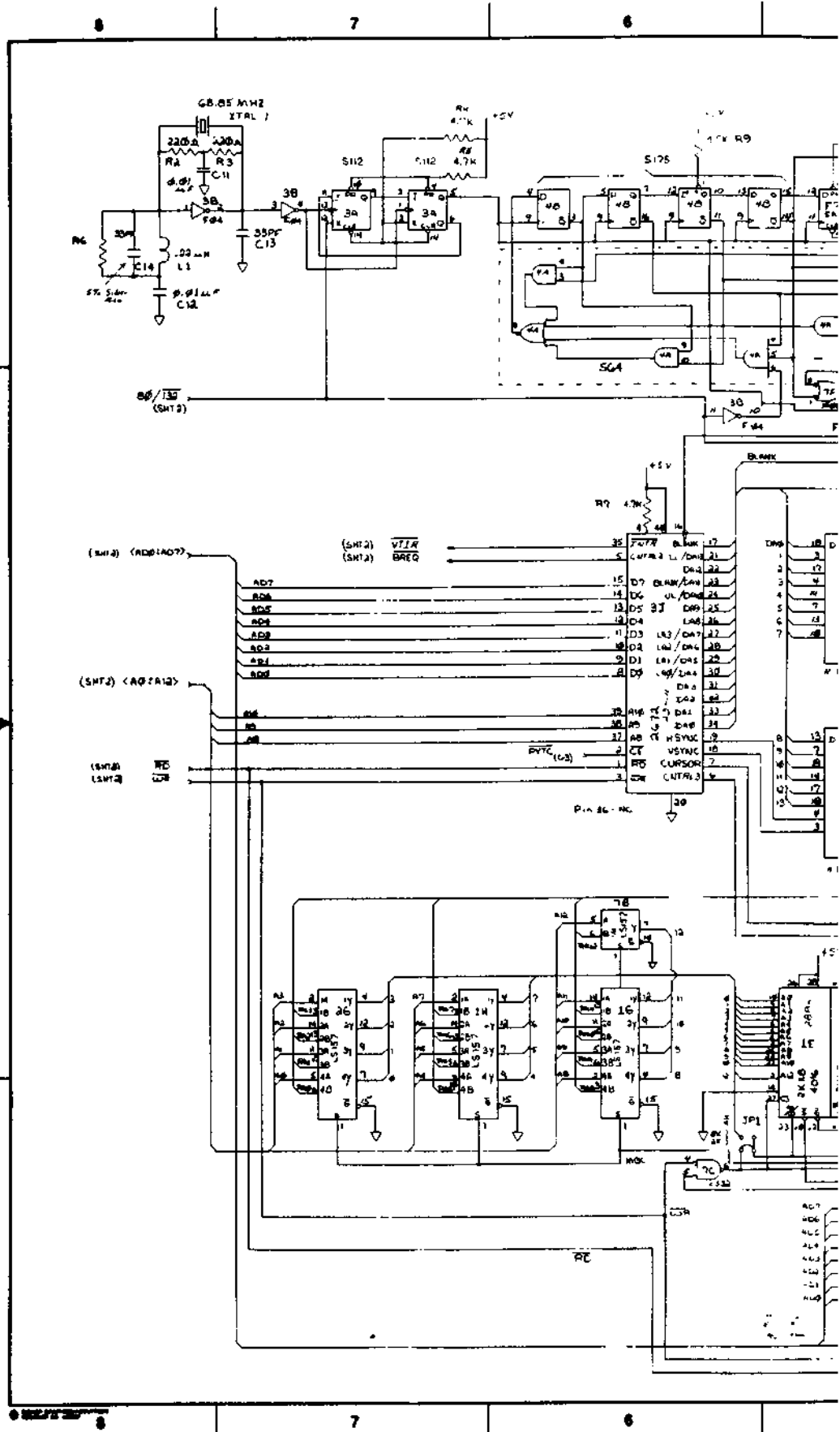
REVISIONS			
REV.	DESCRIPTION	DATE	APPROVED

12	→	AD 7	(SHT 2)
9	→	AD 6	
15	→	AD 5	
6	→	AD 4	
16	→	AD 3	
5	→	AD 2	
19	→	AD 1	
2	→	AD Ø	

ROW BUFFER DIAGNOSTIC REGISTER.

QTY REQD	FSCM NO.	PART OR IDENTIFYING NO.	NOMENCLATURE OR DESCRIPTION	MATERIAL SPECIFICATION
PARTS LIST				
UNLESS OTHERWISE SPECIFIED DIMENSIONS ARE IN INCHES TOLERANCES ARE: FRACTIONS DECIMALS ANGLES ± .XX ± °		CONTRACT NO.		 WYSE TECHNOLOGY LOGIC BOARD, WY50
MATERIAL		APPROVALS	DATE	
FINISH		DRAWN	CHECKED	
DO NOT SCALE DRAWING		ISSUED		
		SIZE	FSCM NO.	DWG. NO.
		B		96-012-01
		SCALE		REV. D3
				SHEET 7 of 7





D

C

B

A

8

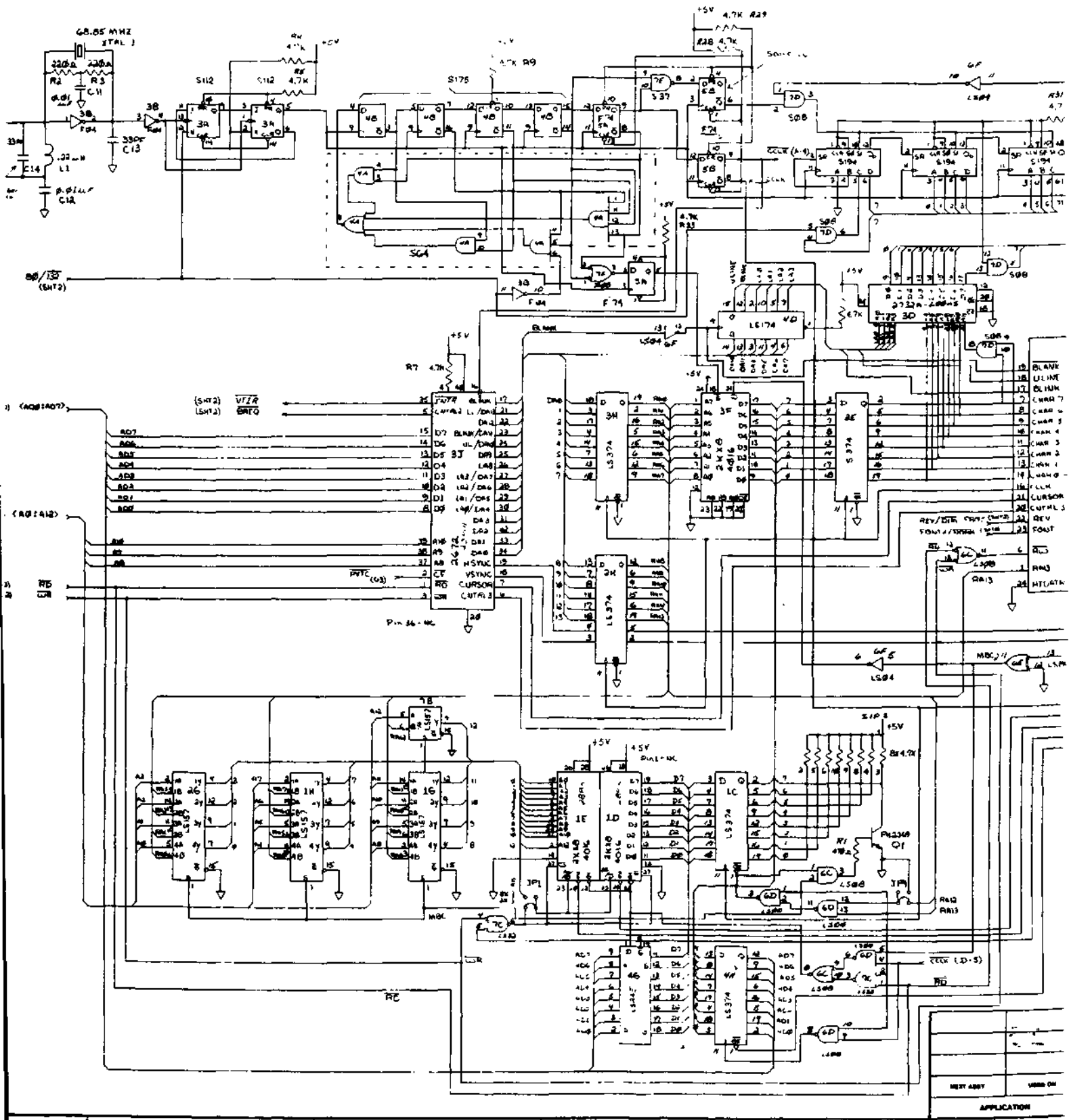
7

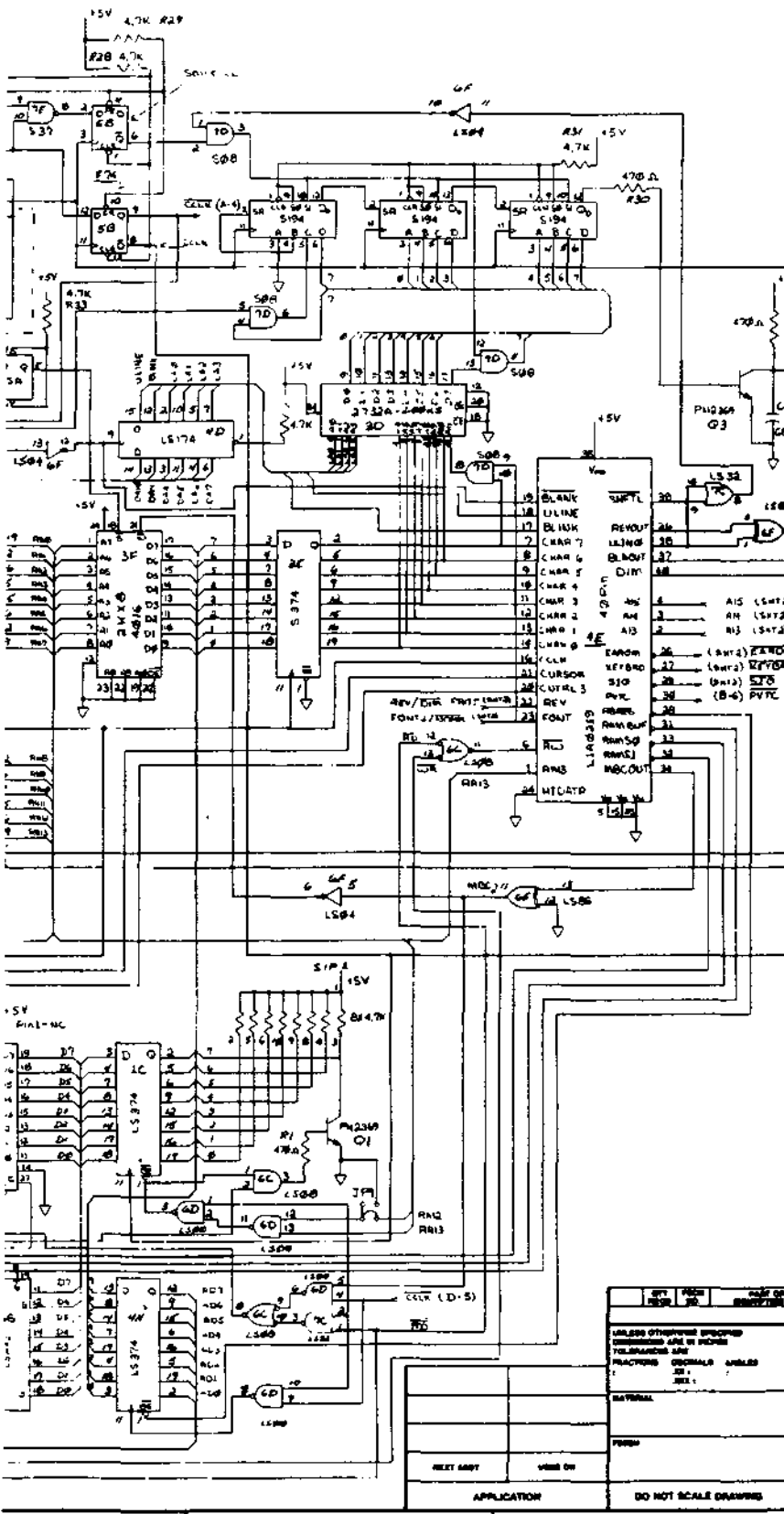
6

8

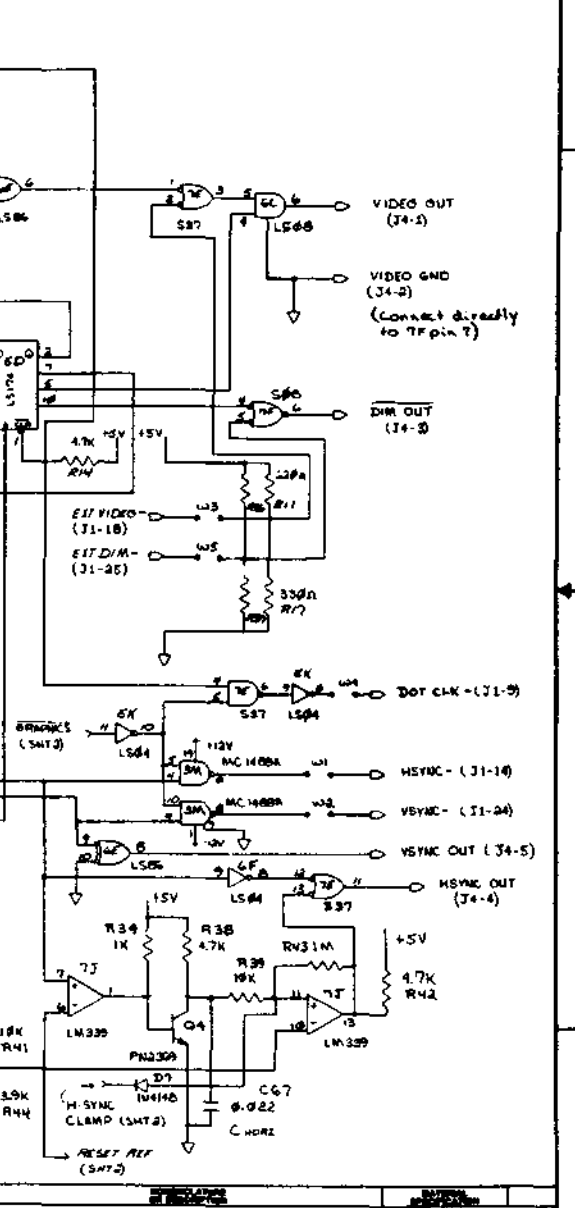
7

6



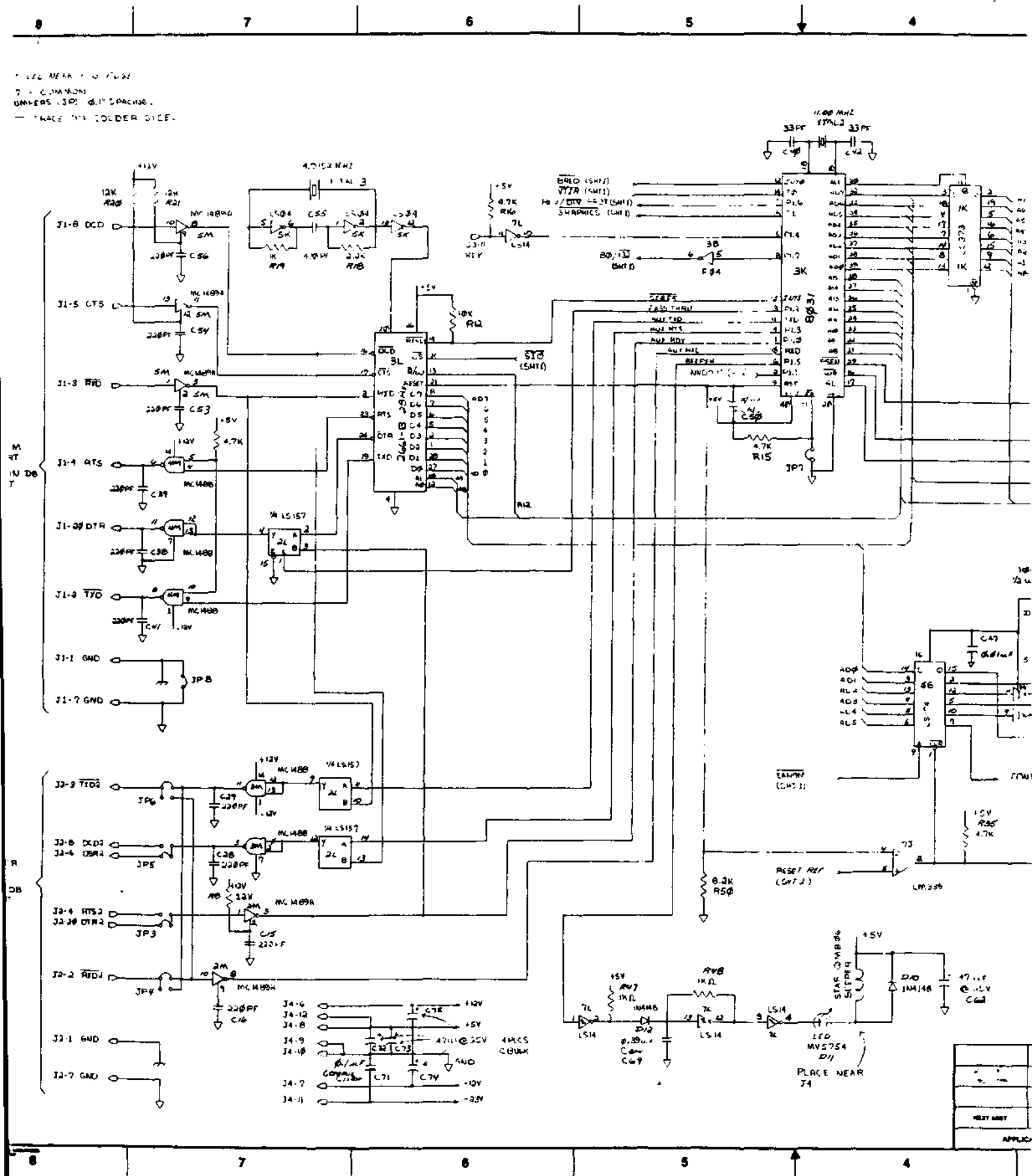


REV	DESCRIPTION	DATE	APPROVED
1	Change RB, R20, R21 from 20K to 10K		
A	SR-2, S3; 7K-1, 2, 3; 6F-1, 2, 3; 7F-1; 8F-1; 9F-1; 10F-1; 11F-1; 12F-1; 13F-1; 14F-1; 15F-1; 16F-1; 17F-1; 18F-1; 19F-1; 20F-1; 21F-1; 22F-1; 23F-1; 24F-1; 25F-1; 26F-1; 27F-1; 28F-1; 29F-1; 30F-1; 31F-1; 32F-1; 33F-1; 34F-1; 35F-1; 36F-1; 37F-1; 38F-1; 39F-1; 40F-1; 41F-1; 42F-1; 43F-1; 44F-1; 45F-1; 46F-1; 47F-1; 48F-1; 49F-1; 50F-1; 51F-1; 52F-1; 53F-1; 54F-1; 55F-1; 56F-1; 57F-1; 58F-1; 59F-1; 60F-1; 61F-1; 62F-1; 63F-1; 64F-1; 65F-1; 66F-1; 67F-1; 68F-1; 69F-1; 70F-1; 71F-1; 72F-1; 73F-1; 74F-1; 75F-1; 76F-1; 77F-1; 78F-1; 79F-1; 80F-1; 81F-1; 82F-1; 83F-1; 84F-1; 85F-1; 86F-1; 87F-1; 88F-1; 89F-1; 90F-1; 91F-1; 92F-1; 93F-1; 94F-1; 95F-1; 96F-1; 97F-1; 98F-1; 99F-1; 100F-1		
A1	Change C71 from 100pF to 10pF		
B	add FARNON part down list, LS324 substitute		
C	Remove diodes D12, 1, 4, 9, 16, add part down list for FARNON, shorts required for graphics, LS324, LS324 video driver		
P.2			
B2	CHANGED R33 FROM 15K TO 10K (ECHO 305A)		



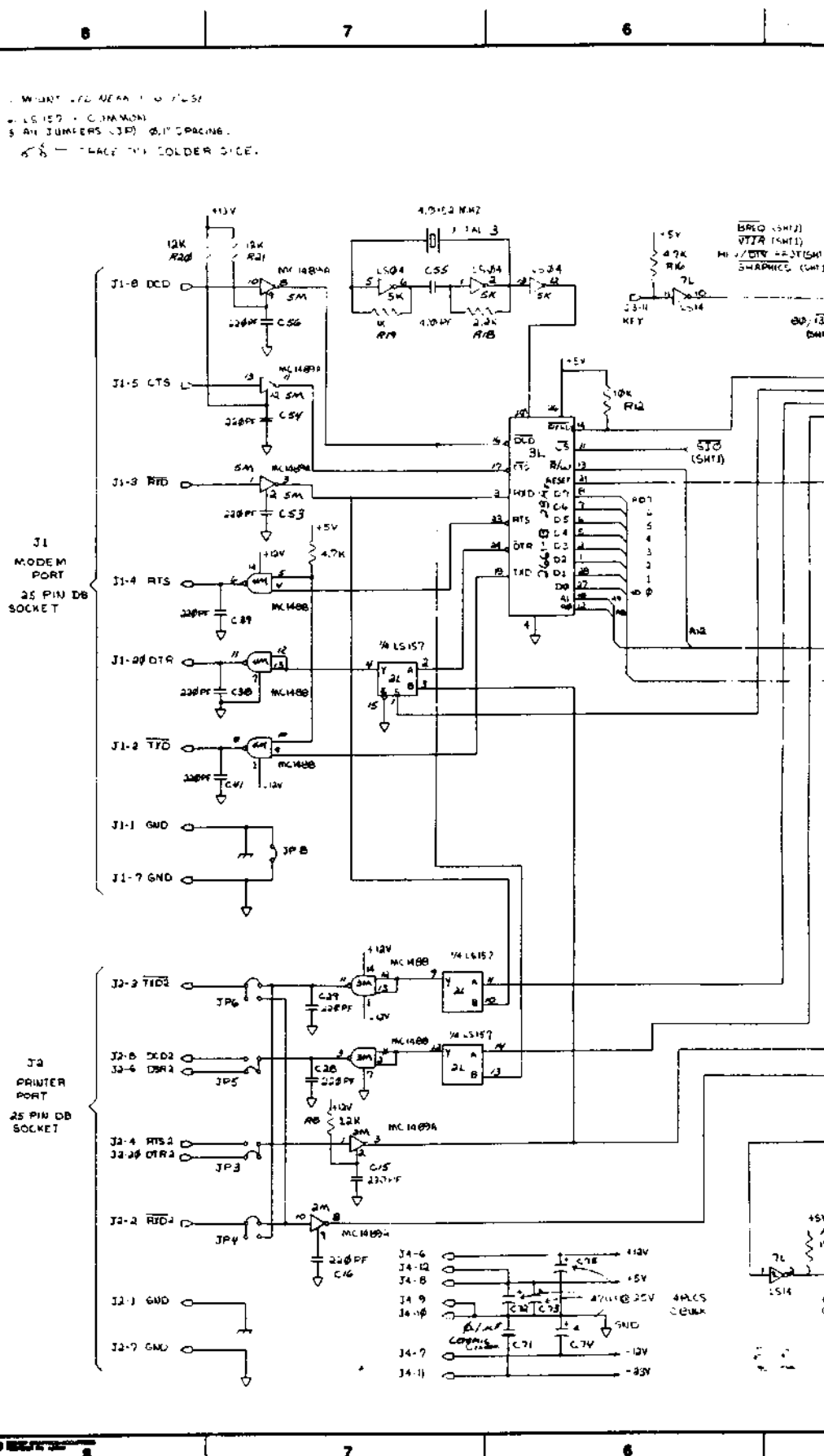
UNLESS OTHERWISE SPECIFIED DIMENSIONS ARE IN INCHES TOLERANCES ARE FRACTIONS DECIMALS ANGLES .25 .10 .10 .05 .05 .05 .05 .05 .05 .05 .01 .01 .01 .01 .01 .01 .01 .01 .01 .01		CONTRACT NO. DATE	WYSE WYSE TECHNOLOGY LOGIC BOARD, WY50 GATE ARRAY VERSION
MATERIAL QUANTITY NEXT PART WHEN ON	APPROVALS DRAWN CHECKED REVISIONS	DATE PARTS LIST	

FILED NEAR 1-3-7652
 7 - COMMON
 UNLESS (SMT) & 1" SPACING
 — TRACE 1/4" COLDER SIZE.



1	2	3	4
5	6	7	8
9	10	11	12
13	14	15	16
17	18	19	20
21	22	23	24
25	26	27	28
29	30	31	32
33	34	35	36
37	38	39	40
41	42	43	44
45	46	47	48
49	50	51	52
53	54	55	56
57	58	59	60
61	62	63	64
65	66	67	68
69	70	71	72
73	74	75	76
77	78	79	80
81	82	83	84
85	86	87	88
89	90	91	92
93	94	95	96
97	98	99	100

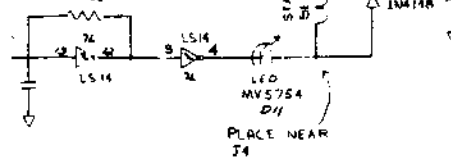
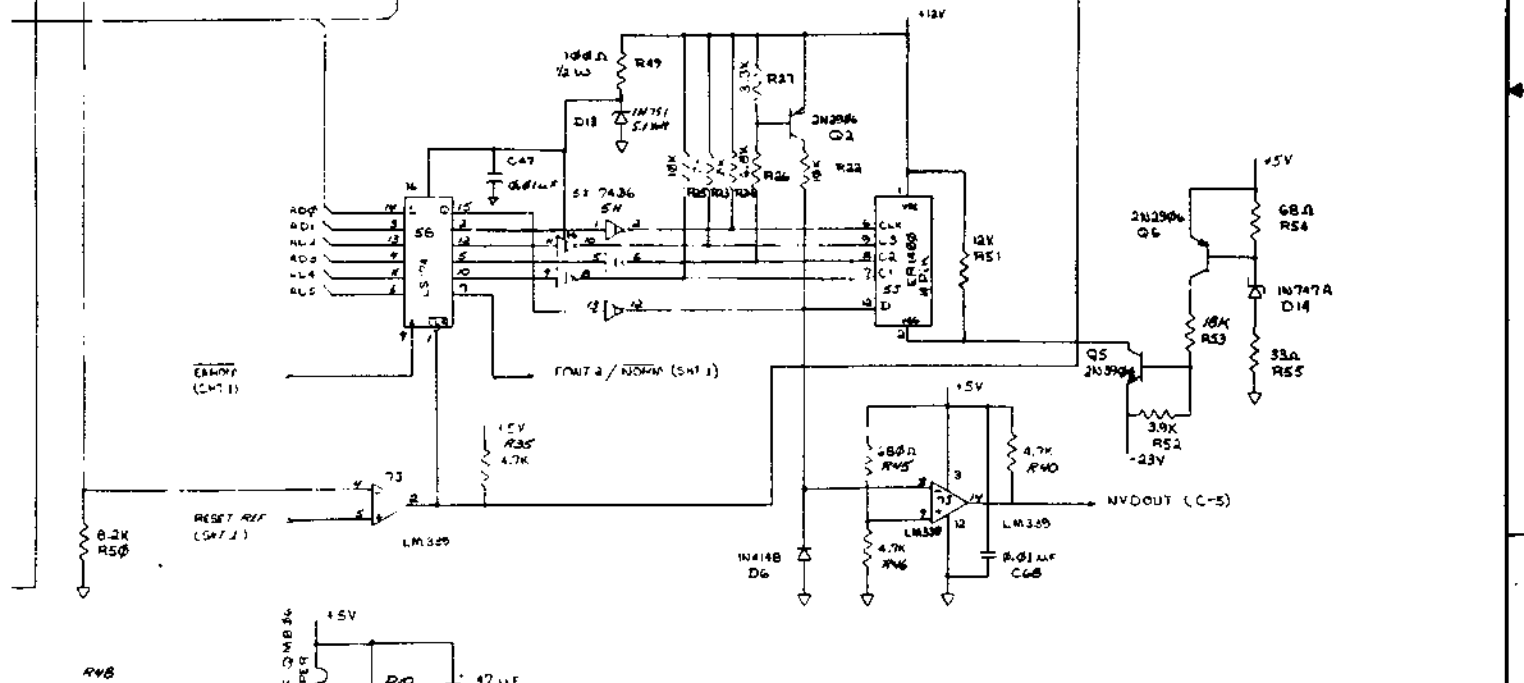
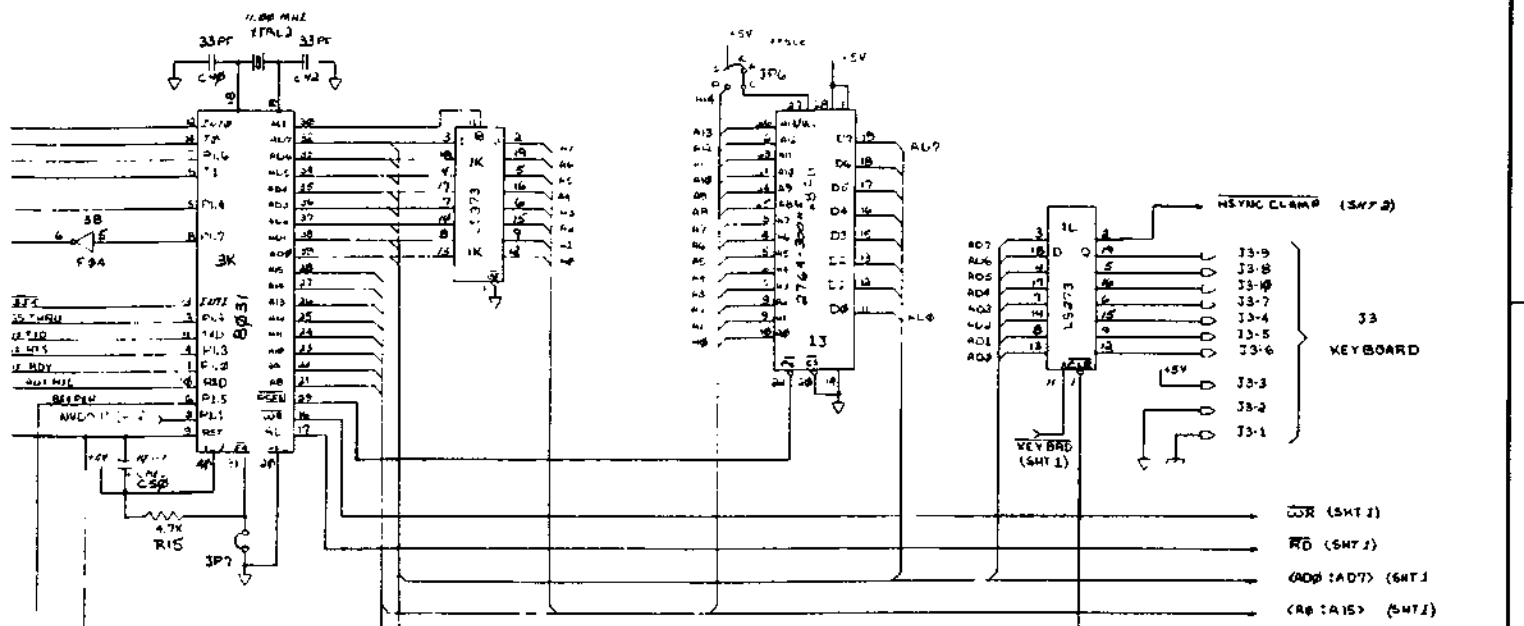
APPLY



5 4 3 2 1

REV NO		REV	DATE	APPROVED
L4		B		

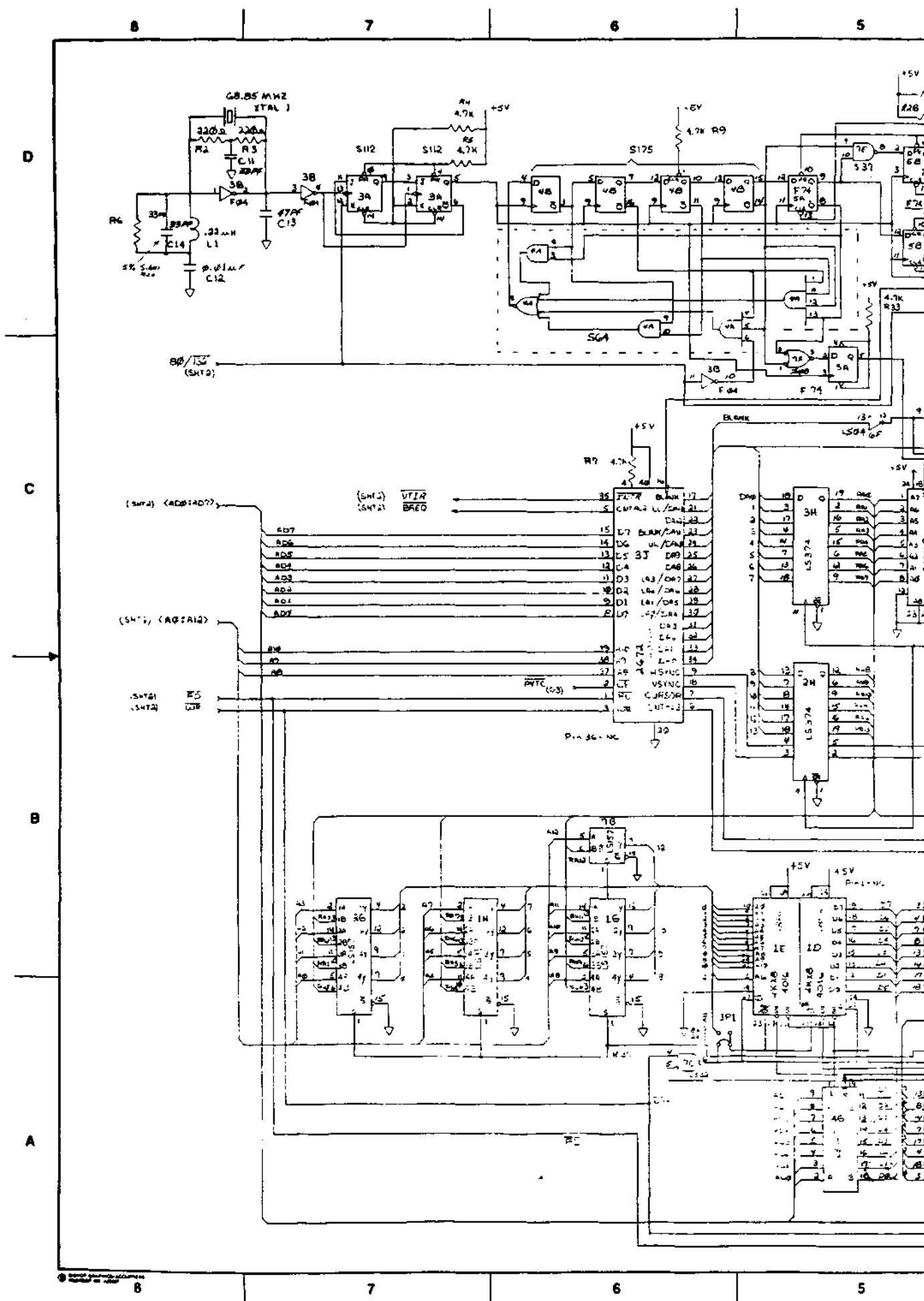
REVISIONS				
NO	REV	DESCRIPTION	DATE	APPROVED
L4	B	CONNECT PINS OF 26618 TO 3K-25(000)		

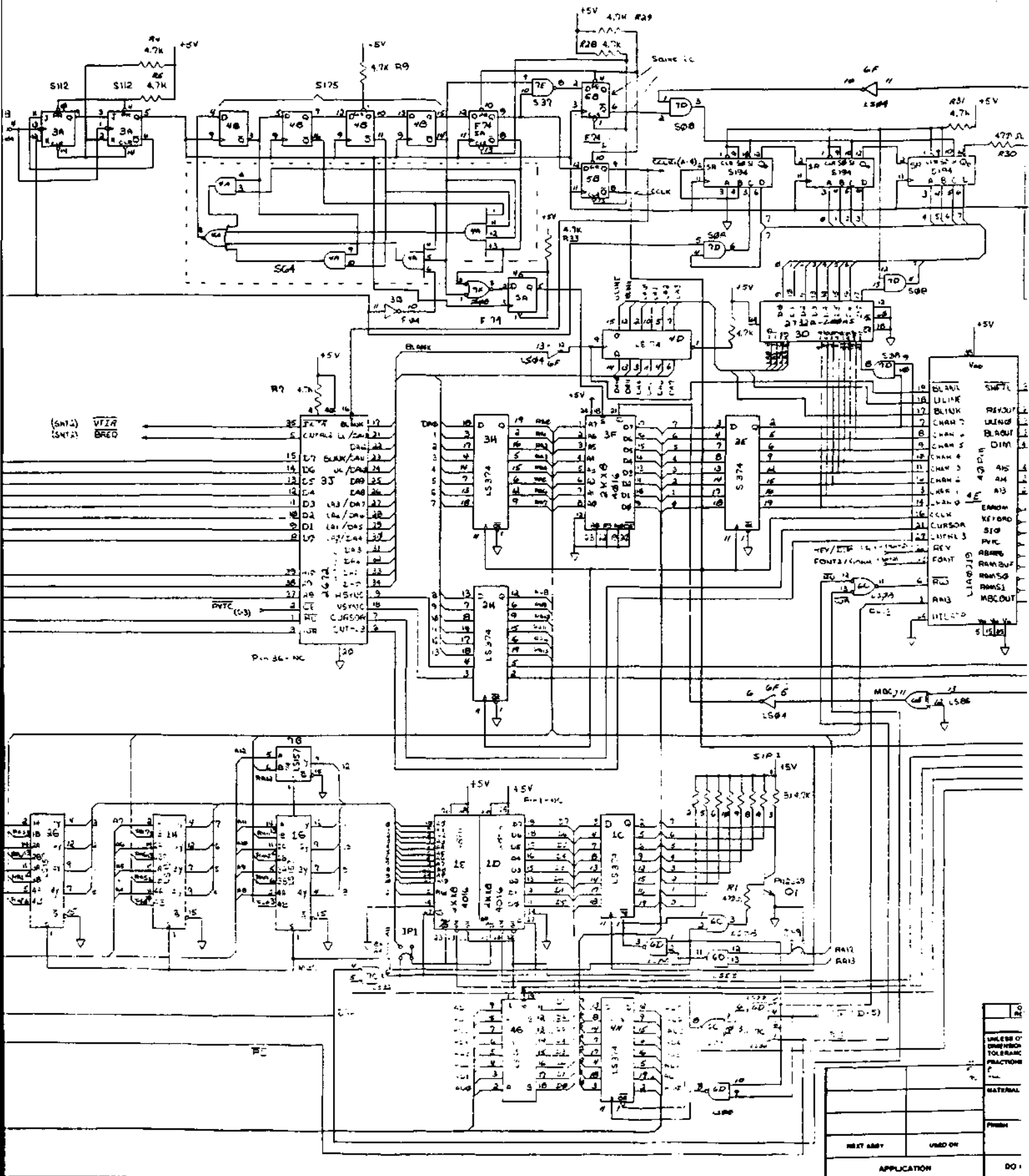


QTY	REV	DESCRIPTION	CONTRACT NO	DATE

PARTS LIST		WYSE TECHNOLOGY	
UNLESS OTHERWISE SPECIFIED DIMENSIONS ARE IN INCHES FRACTIONS ARE DECIMAL ANGLES ARE DEGREES		LOGIC BOARD, WY50 GATE ARRAY VERSION	
MATERIAL	APPROVALS	DATE	
FRESH	DRAWN	CHECKED	
REVISED	ISSUED	SCALE	
SIZE	FIG. NO.	REV. NO.	
D		96-018-01	
SCALE			

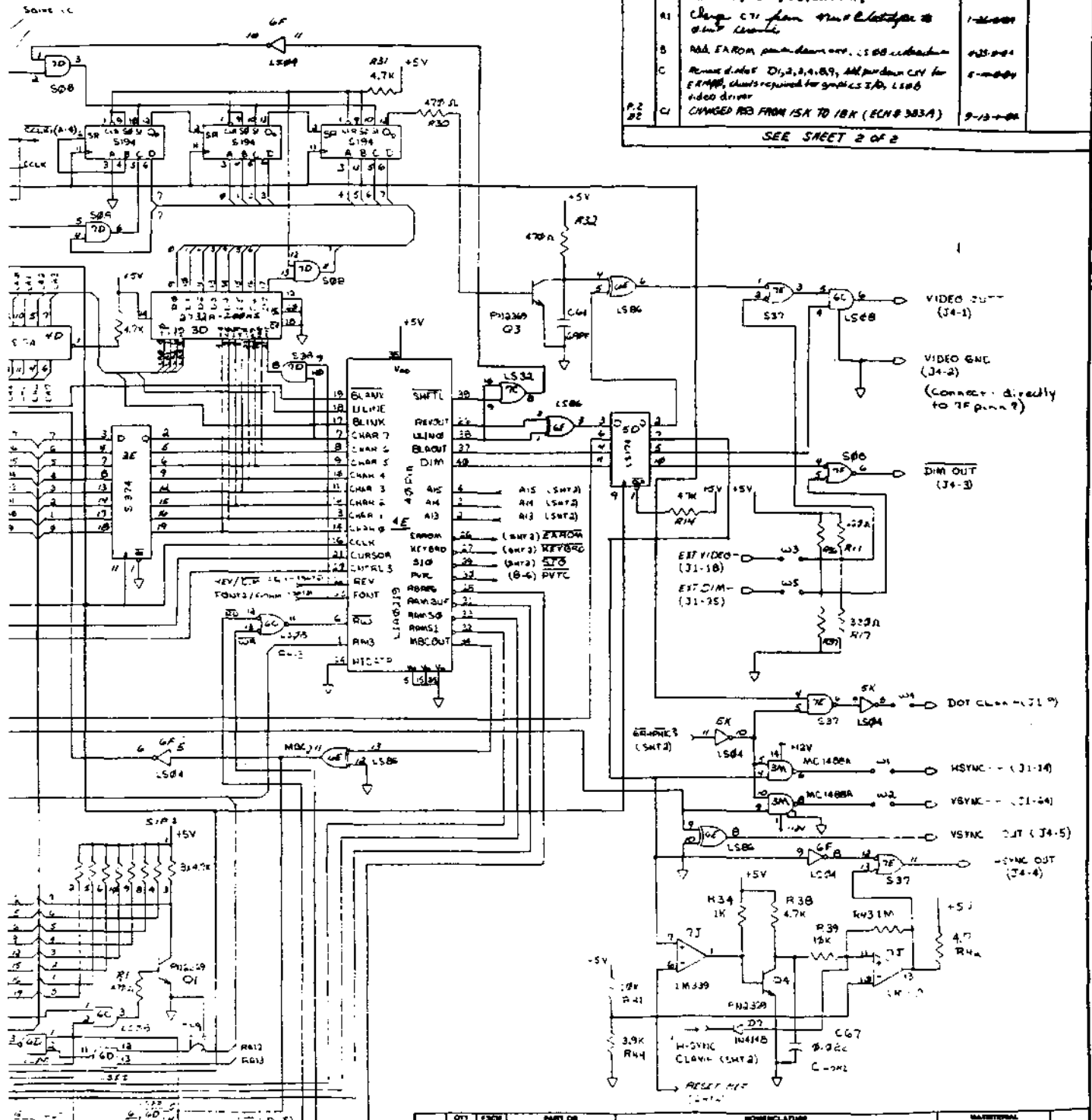
5 4 3 2 1





UNLESS OTHERWISE SPECIFIED	
TOLERANCES	
FRACTIONS	
MATERIAL	
FINISH	
NEXT REV	USED ON
APPLICATION	DO

REV. NO.		96-018-01	1	REV. F4	1
REVISIONS					
REV.	DATE	DESCRIPTION	ISSUED	APPROVED	
1		Change R8, R20, R21 from 20K to 10K	4/24/83		
A		SA-2, 5, 3; 7C-1, 2, 3; 6E-1, 2, 3; 7F-4; 4H B25; 4L-2; 6G, EX PWR;	1-22-83		
A1		Change C71 from 47uF electrolytic to 0.1uF ceramic	1-22-83		
B		ADD EPROM programmer, LS88 connector	2/23/84		
C		Remove data D1, 2, 3, 4, B3; Add pull-down C47 for EPROM; change required for gmcs LS3A, LS8B video driver	5-10-84		
P.2		CHANGED RES FROM 15K TO 18K (ECL# 303A)	9-13-84		
P.2					
SEE SHEET 2 OF 2					



QTY	FORM	PART OR IDENTIFYING NO.	NOMENCLATURE OR DESCRIPTION	MANUFACTURER'S SPECIFICATION
PARTS LIST				
UNLESS OTHERWISE SPECIFIED DIMENSIONS ARE IN INCHES TOLERANCES ARE FRACTIONS DECIMAL ANGLES DEG.		CONTRACT NO.		
MATERIAL		APPROVALS	DATE	
FINISH			5/11/83	
NEXT ASSY		ISSUED	7-20-85	
USED ON		WYSE TECHNOLOGY		
APPLICATION		LOGIC BOARD, WY 503/75 GATE ARRAY VERSION 11		
DO NOT SCALE DRAWING		SIZE	PAGE NO.	REV. F4
		D	96-018-01	
		SCALE	QUANTITY	1752

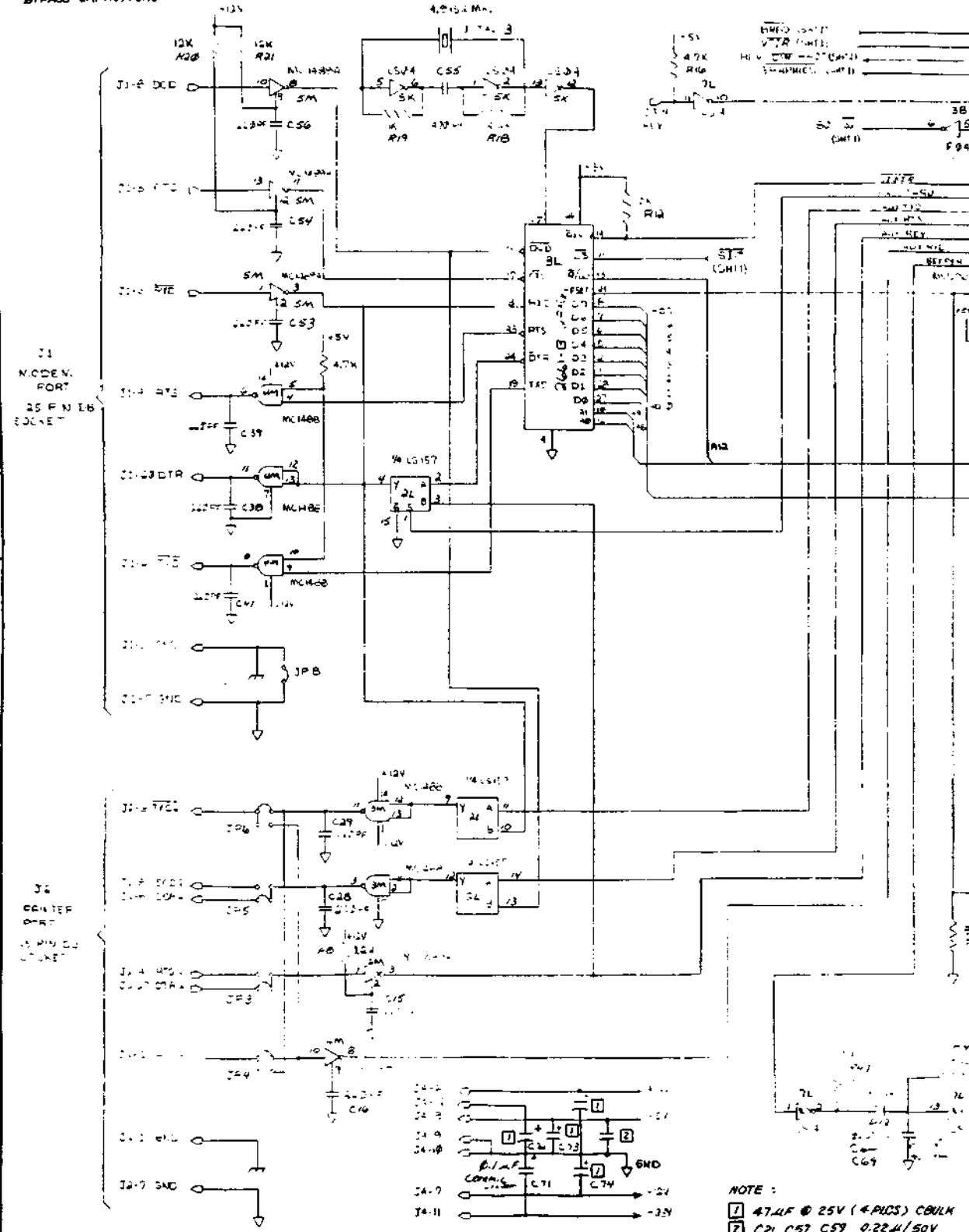
- 1. MOUNT LED NEAR TEST CORE
- 2. LS 157 - COMMON
- 3. ALL JUMPERS (JP) 0.1" SPACING.
- 4. ALL IC'S EXCEPT U9, U10, U17, U30, U33, U37, U41, U43 AND U48 HAVE INDIVIDUAL 0.1µF BYPASS CAPACITORS.

D

C

B

A



NOTE:

- 1 47µF @ 25V (4-PICS) CBLK
- 2 C21, C57, C59 0.22µ/50V
- C66 0.01µ/50V

7

6

5

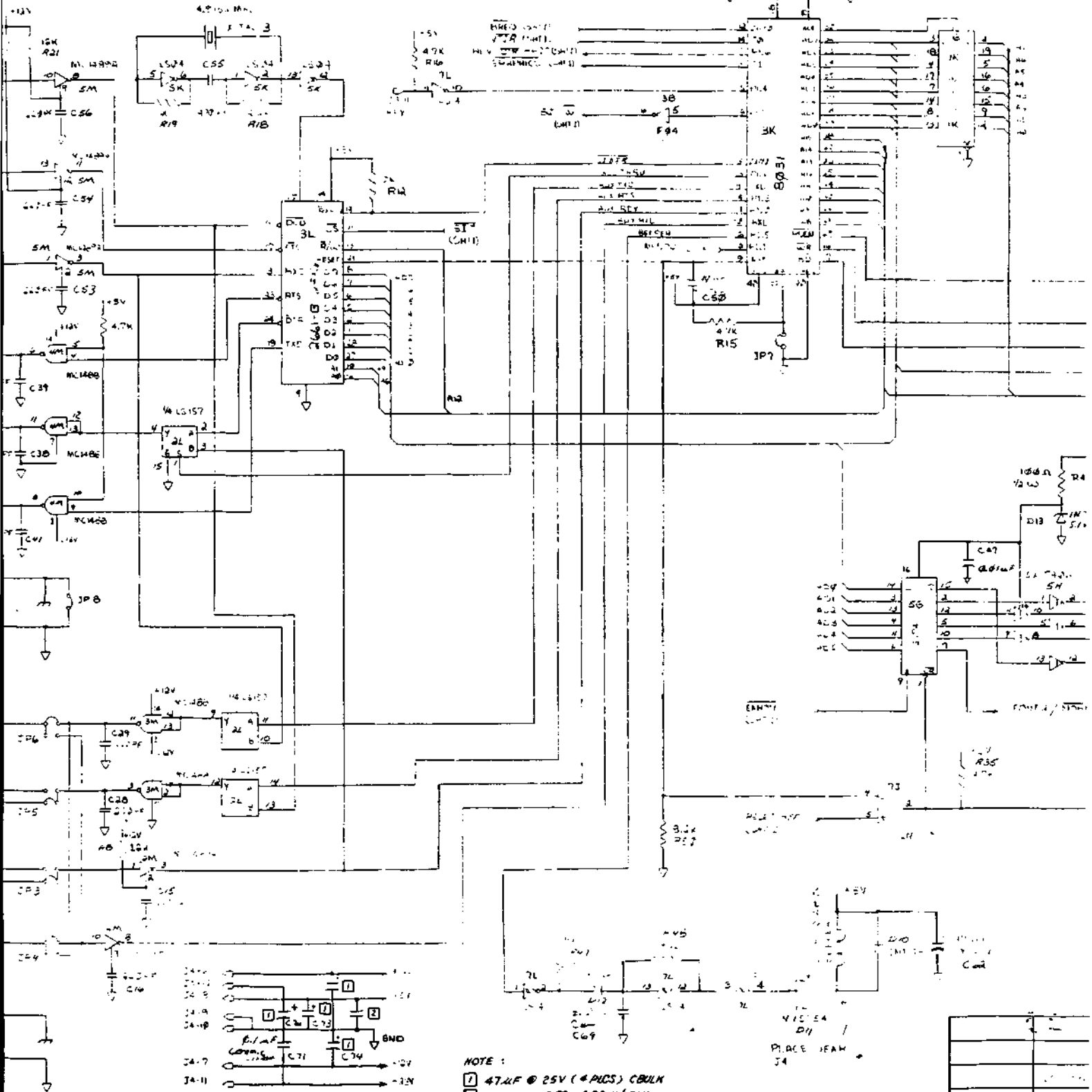
4

NO.

A SIDE.

7, U30, U39, U37.

INDIVIDUAL Q.T.R.F



NOTE:

- 1 47.µF @ 25V (*PICS) CBULK
- 2 C21, C57, C59 0.22µ/50V
- 3 C66 0.01µ/50V

REF Assy	USED On
APPLICATION	

7

6

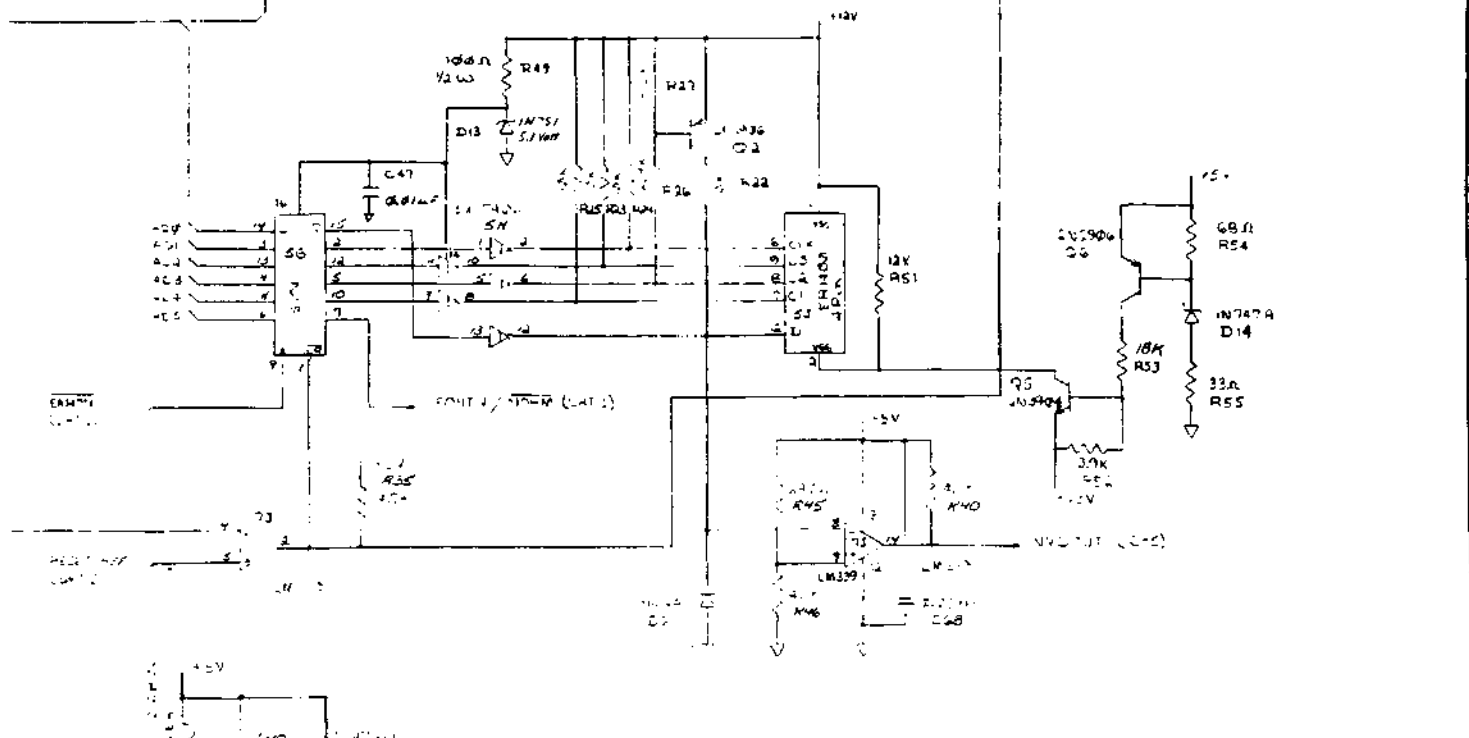
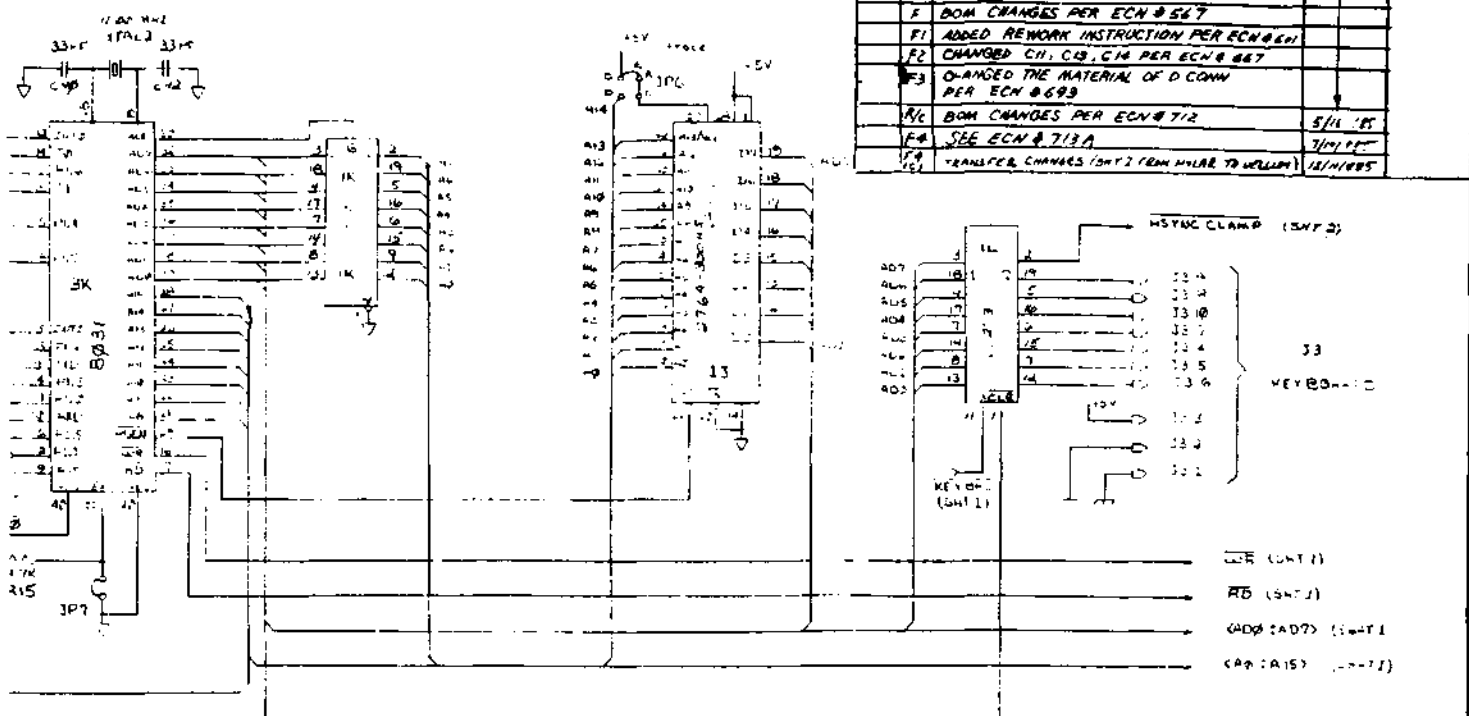
5

4

DWG. NO. 96-018-01

REV. 2

REV.	DESCRIPTION	DATE	APPROVED
1	CHANGED C21, C57, C59, C66 PER ECN # 447	5/11/85	
2	CONNECTION LEVEL PER ECN # 563		
3	BOM CHANGES PER ECN # 566		
4	BOM CHANGES PER ECN # 567		
5	ADDED REWORK INSTRUCTION PER ECN # 601		
6	CHANGED C11, C13, C14 PER ECN # 667		
7	CHANGED THE MATERIAL OF D CONN PER ECN # 693		
8	BOM CHANGES PER ECN # 712	5/11/85	
9	SEE ECN # 713A	7/11/85	
10	TRANSFER CHANGES (SMT) FROM MALAR TO WALLEY	12/11/85	



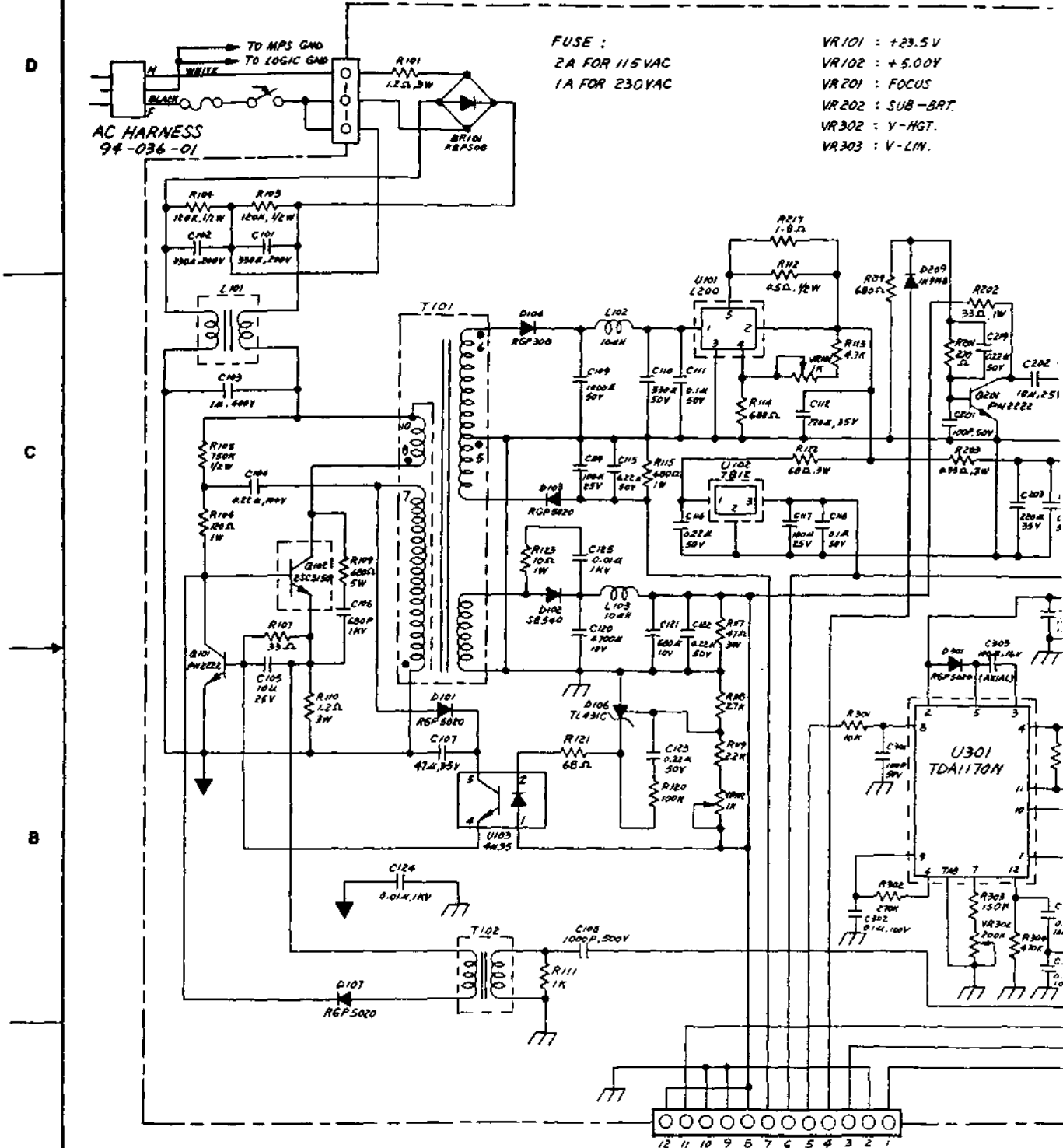
QTY	REQD	PCB NO	PART OR IDENTIFYING NO	NOMENCLATURE OR DESCRIPTION	MATERIAL SPECIFICATION
PARTS LIST					
UNLESS OTHERWISE SPECIFIED DIMENSIONS ARE IN INCHES TOLERANCES ARE FRACTIONS DECIMALS ANGLES XXX .XXX .XXX			CONTRACT NO		
MATERIAL			APPROVALS		
FINISH			DATE		
NEXT ASSY			REVISED		
USED ON			REV. NO		
APPLICATION			SCALE		
DO NOT SCALE DRAWING			DRAWING NO		
			DWG. NO		
			REV. NO		
			DATE		
			BY		
			CHKD		

WYSE TECHNOLOGY

LOGIC BOARD, WY50/75 GATE ARRAY VERSION

DWG. NO. 96-018-01

THIS DRAWING CONTAINS INFORMATION PROPRIETARY TO SPYRE TECHNOLOGY INC. ANY REPRODUCTION, DISCLOSURE, OR SALE IS EXPRESSLY PROHIBITED EXCEPT AS BY THE TERMS OF THE LICENSE. ANY OTHERS AGENCIES IN WRITING.



FUSE :
 2A FOR 115VAC
 1A FOR 230VAC

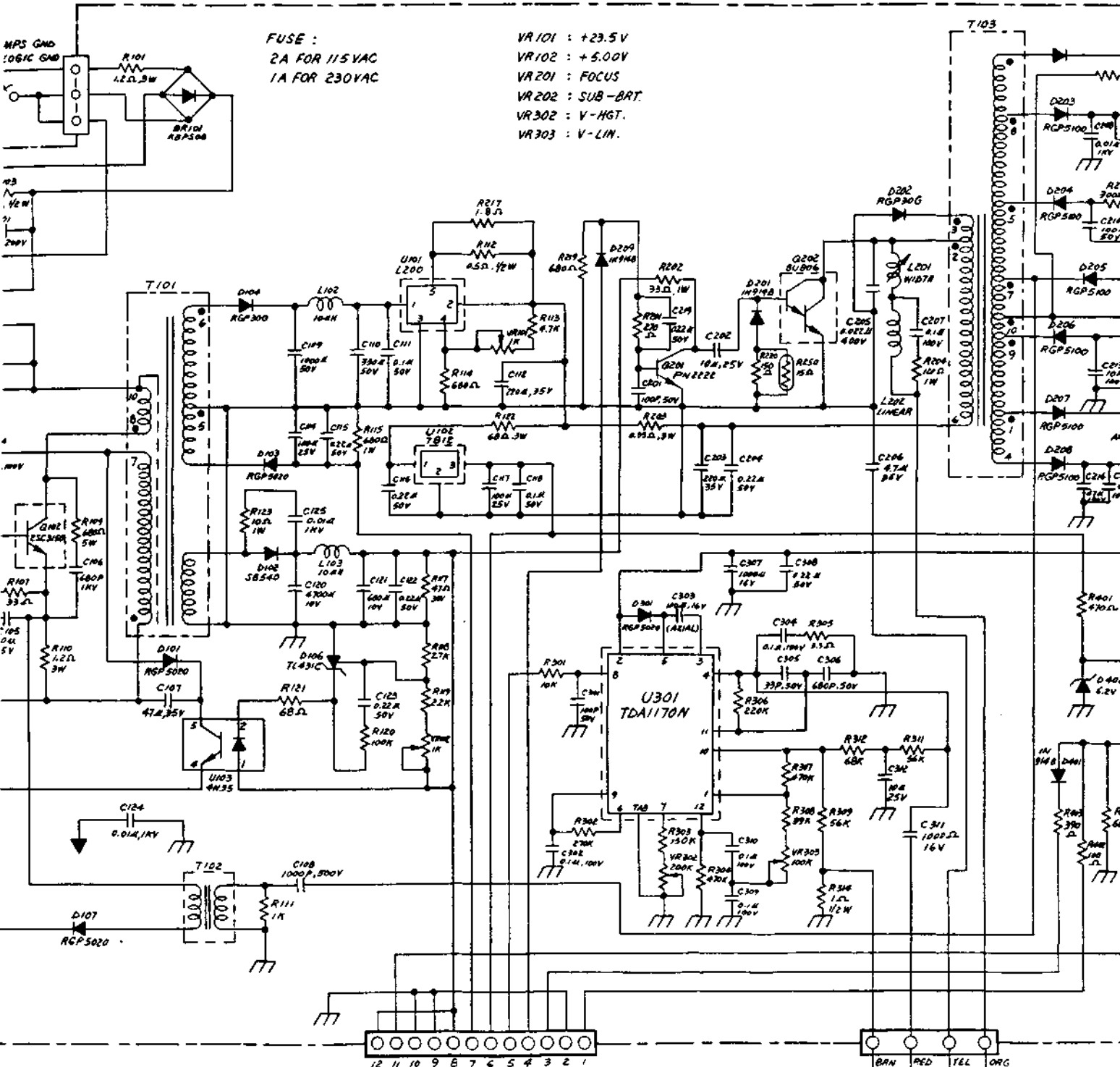
VR101 : +23.5V
 VR102 : +5.00V
 VR201 : FOCUS
 VR202 : SUB-BRT.
 VR302 : V-HGT.
 VR303 : V-LIN.

AC HARNESS
 94-036-01

D
C
B
A

- | | | | | |
|-----------|--------|----------|--------|---------------|
| 1. VIDEO | WHITE | 7. -12V | GREY | LOGIC HARNESS |
| 2. GND | BLACK | 8. +5V | RED | 94-034- |
| 3. DIM | ORANGE | 9. GND | BLACK | |
| 4. H-SYNC | YELLOW | 10. GND | BLACK | |
| 5. V-SYNC | GREEN | 11. -23V | PURPLE | |
| 6. +12V | BLUE | 12. +5V | RED | |

RETURN TO SCHEMATIC TERMINAL



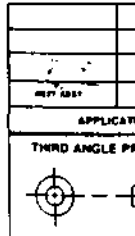
FUSE :
 2A FOR 115VAC
 1A FOR 230VAC

VR101 : +23.5V
 VR102 : +5.00V
 VR201 : FOCUS
 VR202 : SUB-BRT.
 VR302 : V-HGT.
 VR303 : V-LIN.

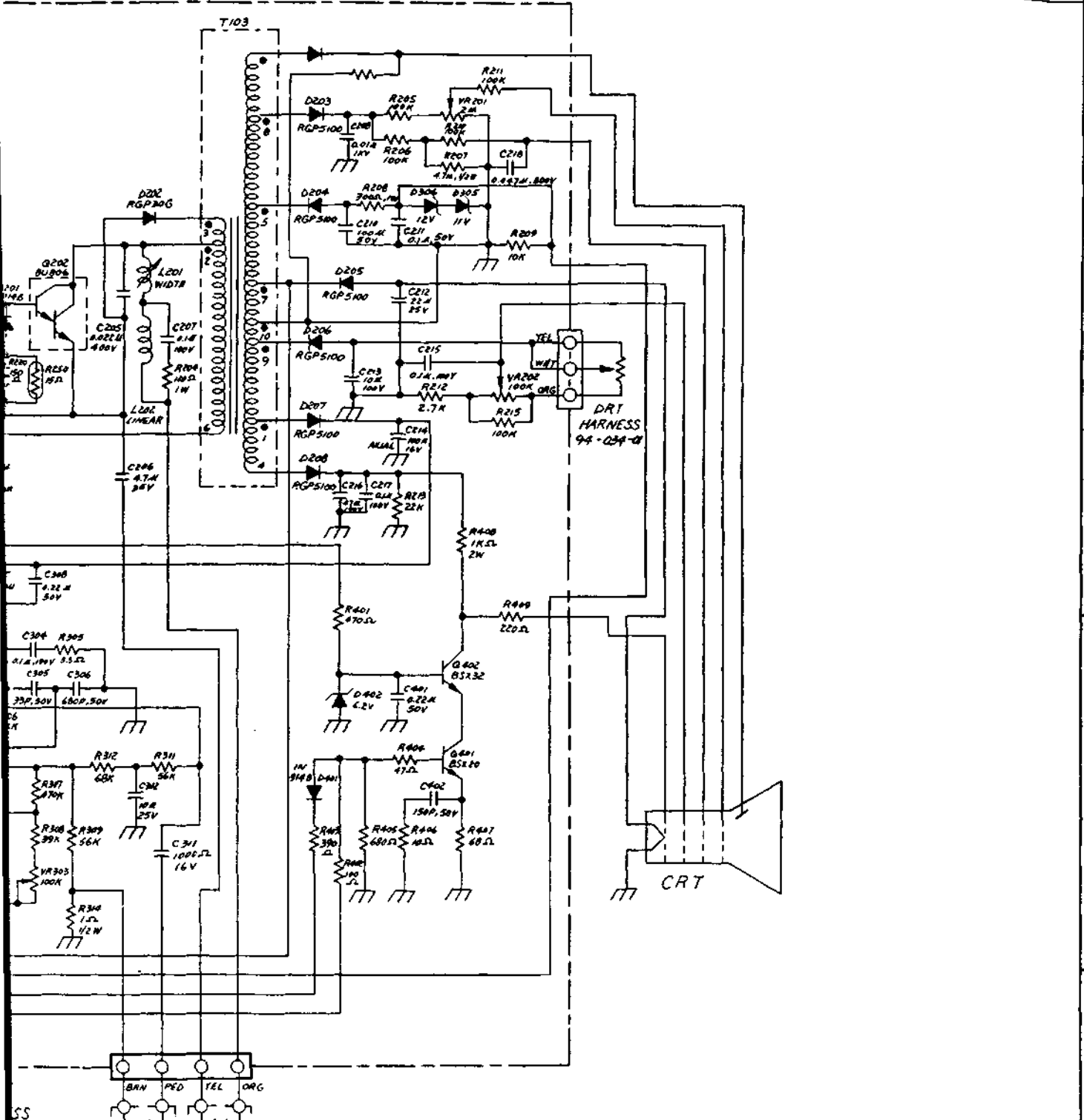
- | | | | |
|-----------|--------|----------|--------|
| 1. VIDEO | WHITE | 7. -12V | GREY |
| 2. GND | BLACK | 8. +5V | RED |
| 3. DIM | ORANGE | 9 GND | BLACK |
| 4. H-SYNC | YELLOW | 10. GND | BLACK |
| 5. V-SYNC | GREEN | 11. -23V | PURPLE |
| 6. +12V | BLUE | 12. +5V | RED |

LOGIC HARNESS
 94-034-01

YOKE HARNESS
 940154-01



REV	REV	DESCRIPTION	DATE	APPROVED
# 916	A	ATC	11-26-85	
#1070	Arc1	REDRAWN FOR CLARITY, NO CHANGES	12-11-85	



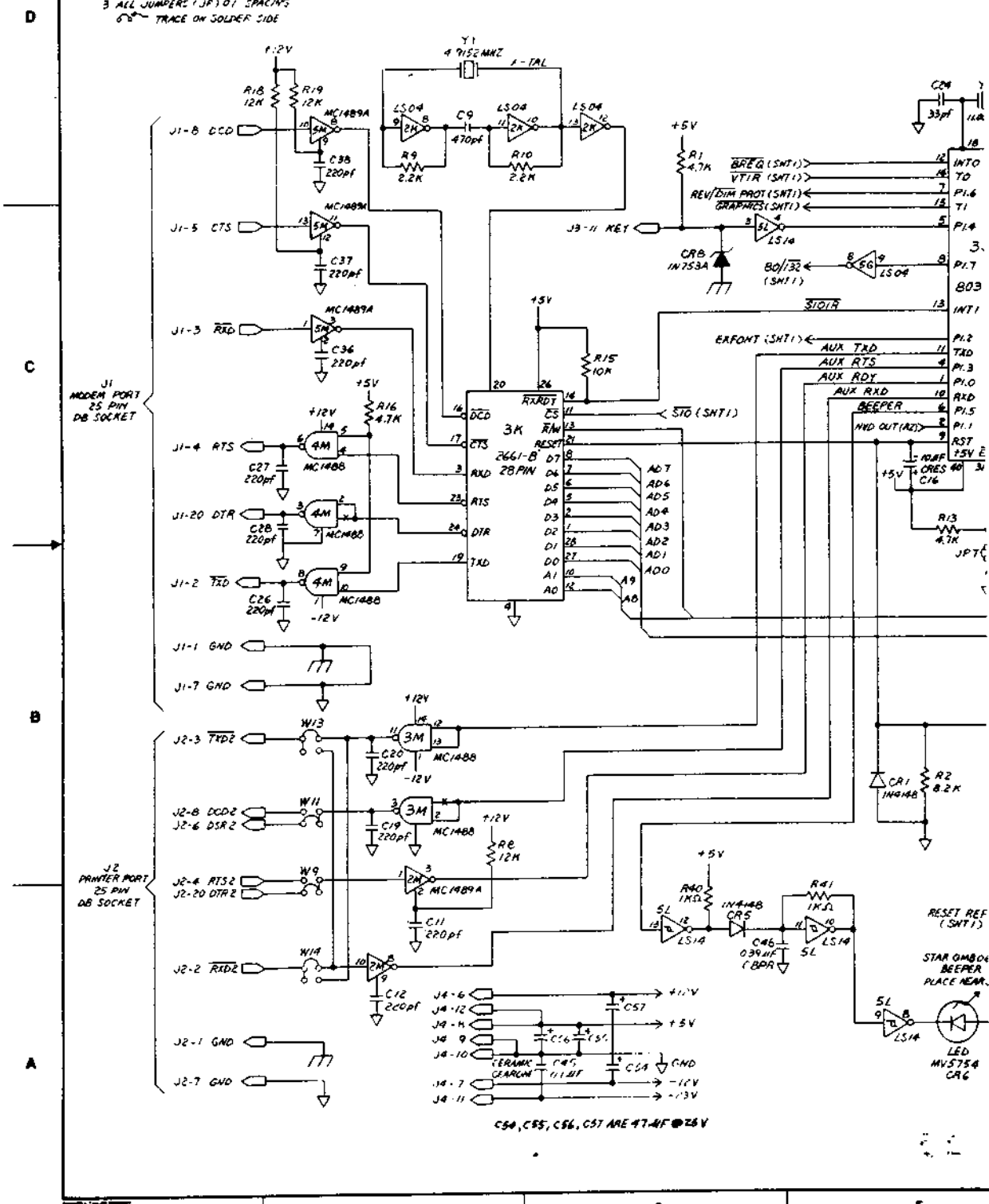
Yoke Harness
940154-01

PARTS LIST		WYSE TECHNOLOGY INCORPORATED	
WY-50+	UNLESS OTHERWISE SPECIFIED DIMENSIONS ARE IN TOLERANCES	WYSE TECHNOLOGY INCORPORATED	
NET ASSY	WYSE 50	WY-50 + SCHEMATIC	
APPLICATION	THIRD ANGLE PROJECTION	DATE	12-6-85
		DATE	12-10-85
		DATE	12-11-85
		DATE	11-11-85
		SCALE	
		DWG NO	96-019-02
		SHEET	1 OF 1

D
C
B
A

THIS DRAWING CONTAINS INFORMATION PROPRIETARY TO
 XEROX TECHNOLOGY INC. ANY REPRODUCTION, DISCLOSURE
 OR USE IS EXPRESSLY PROHIBITED EXCEPT AS BY XEROX TECHNOLOGY
 INC. IN WRITING.

- NOTES:
 1. MOUNT LED NEAR PCB EDGE
 2. LS157 - COMMON
 3. ALL JUMPERS (JP) 01 SPACINGS
 62" TRACE ON SOLDER SIDE

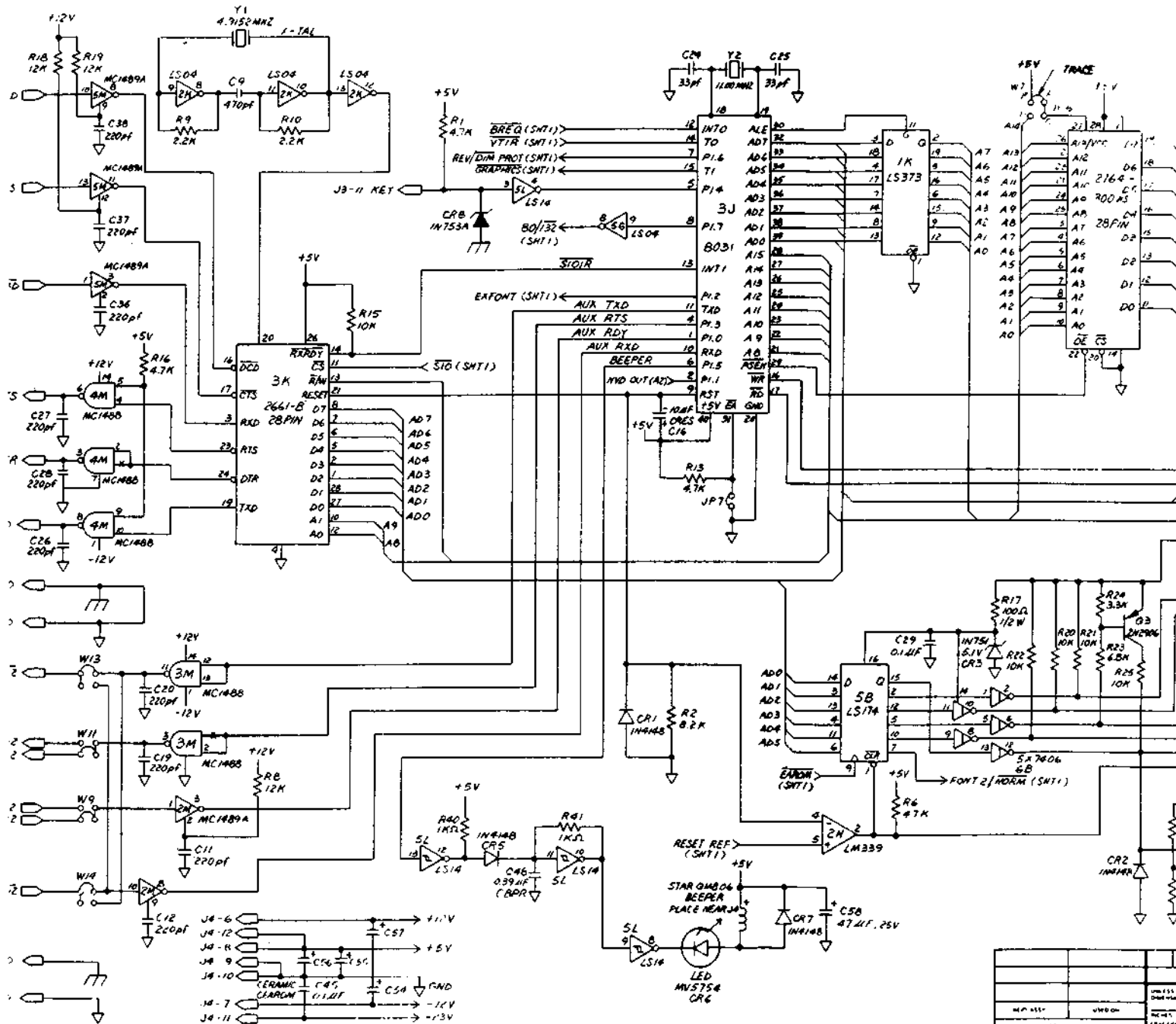


C54, C55, C56, C57 ARE 47.4UF @ 25V

PROPRIETARY TO
NON DISCLOSURE
IS NOT RECOMMENDED

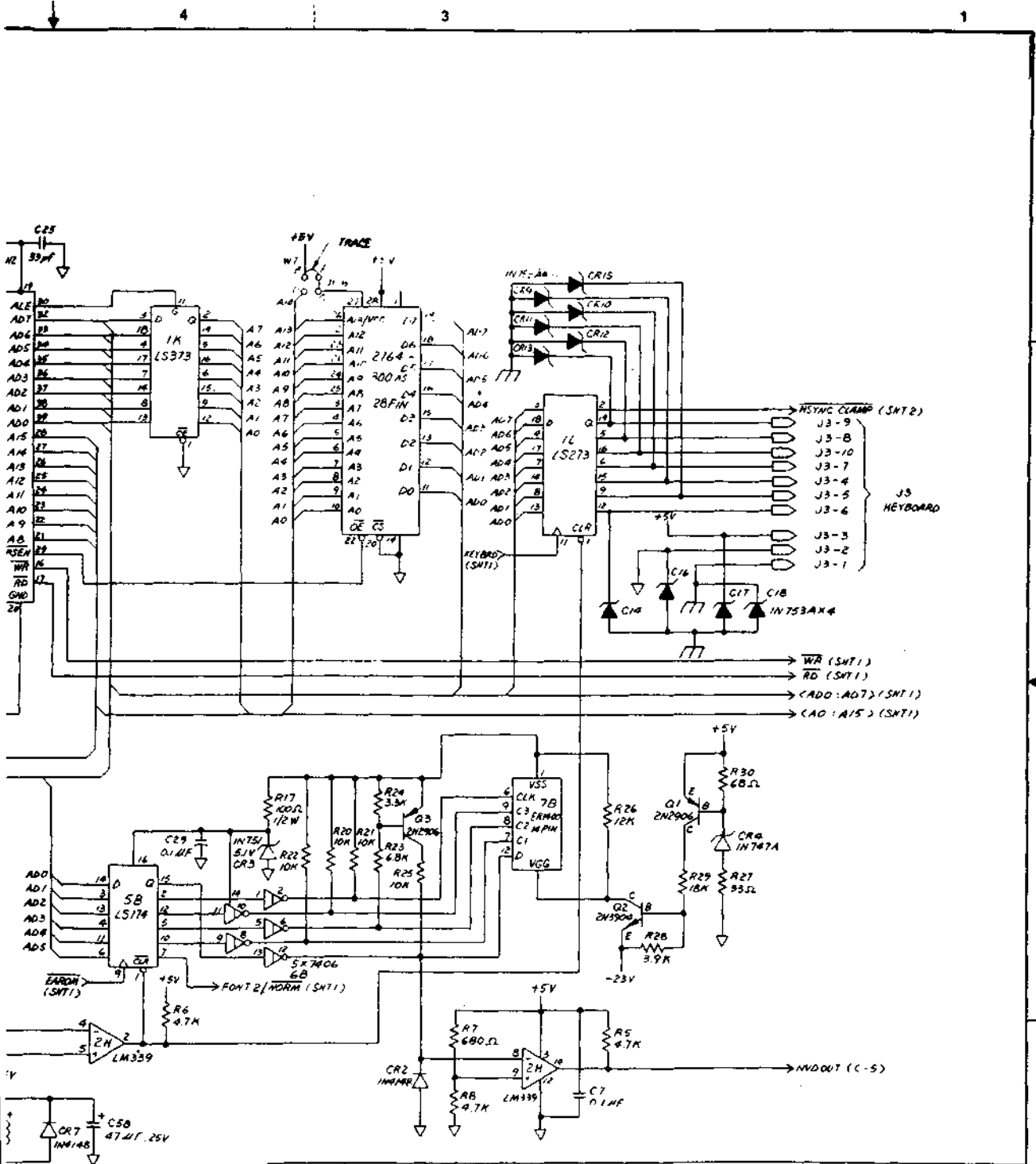
ACE 800F

01 SPACING
LDER SIDE

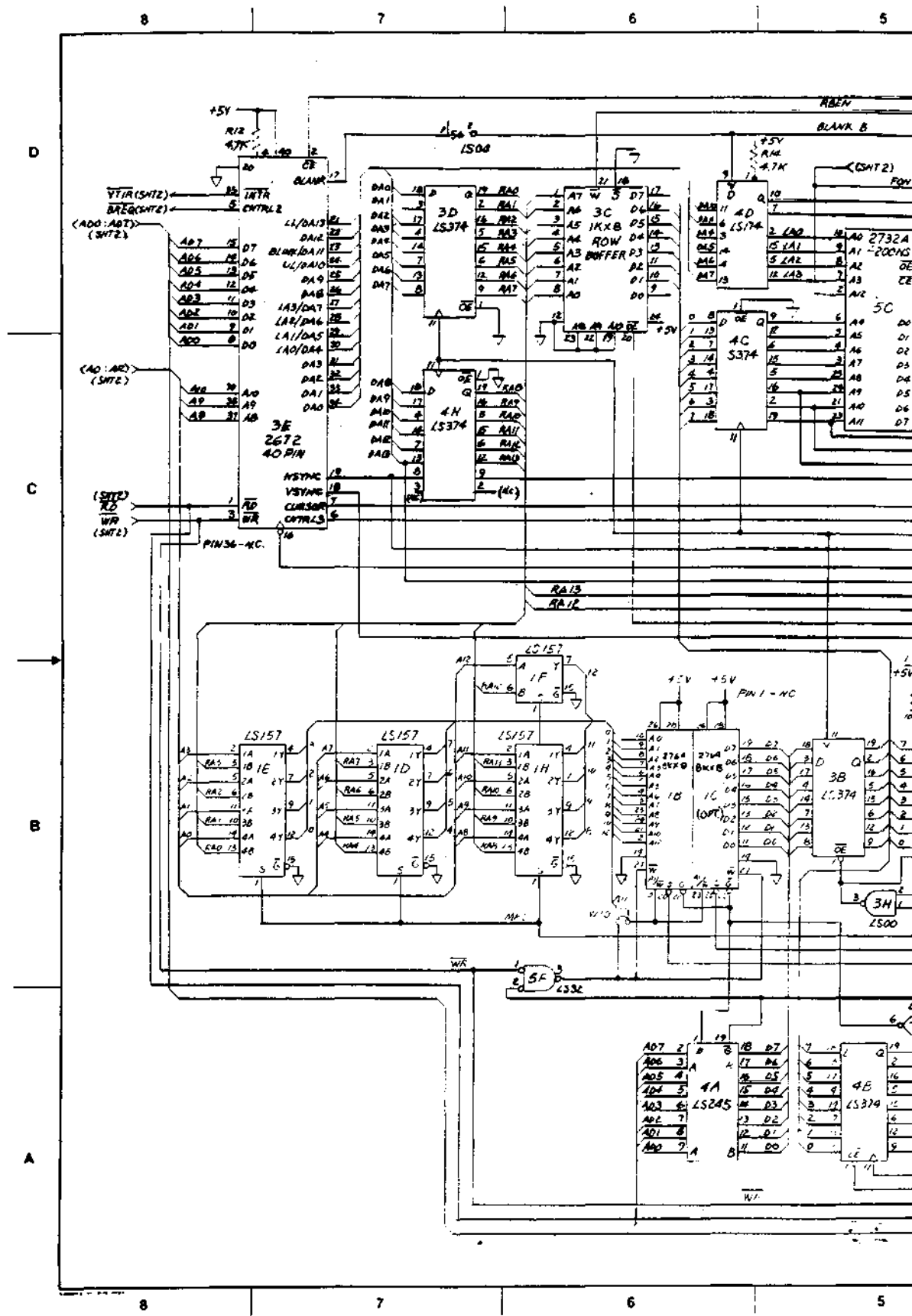


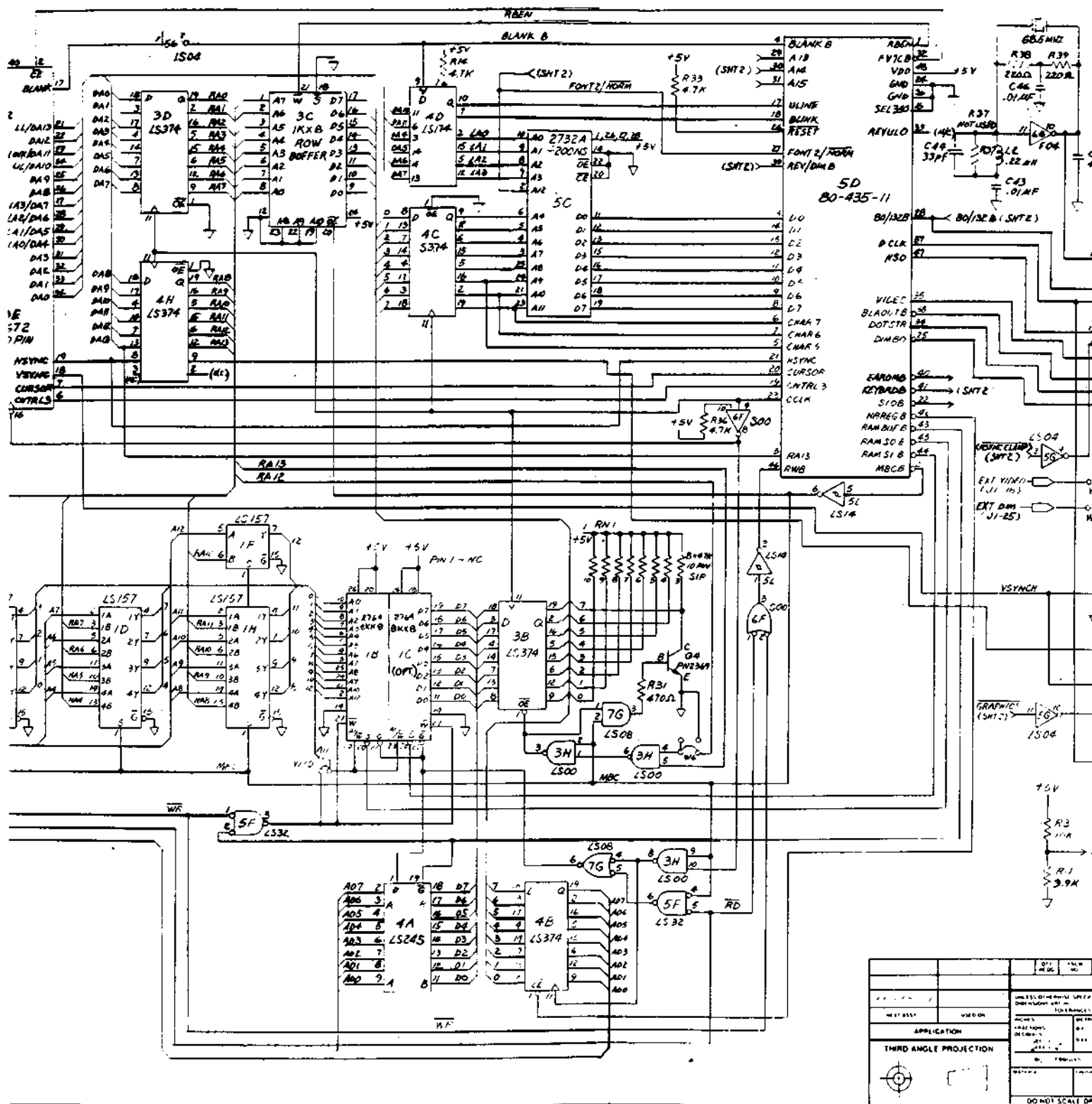
C50, C55, C56, C57 ARE 47.4UF @ 25V

UNLESS OTHERWISE SPECIFIED	UNLESS OTHERWISE SPECIFIED
ALL DIMENSIONS ARE IN MILLIMETERS	ALL DIMENSIONS ARE IN MILLIMETERS
APPROVALS	APPROVALS
DESIGNER	DESIGNER
CHECKER	CHECKER
DATE	DATE
APPLICATION	APPLICATION
THIRD ANGLE PROJECTION	THIRD ANGLE PROJECTION

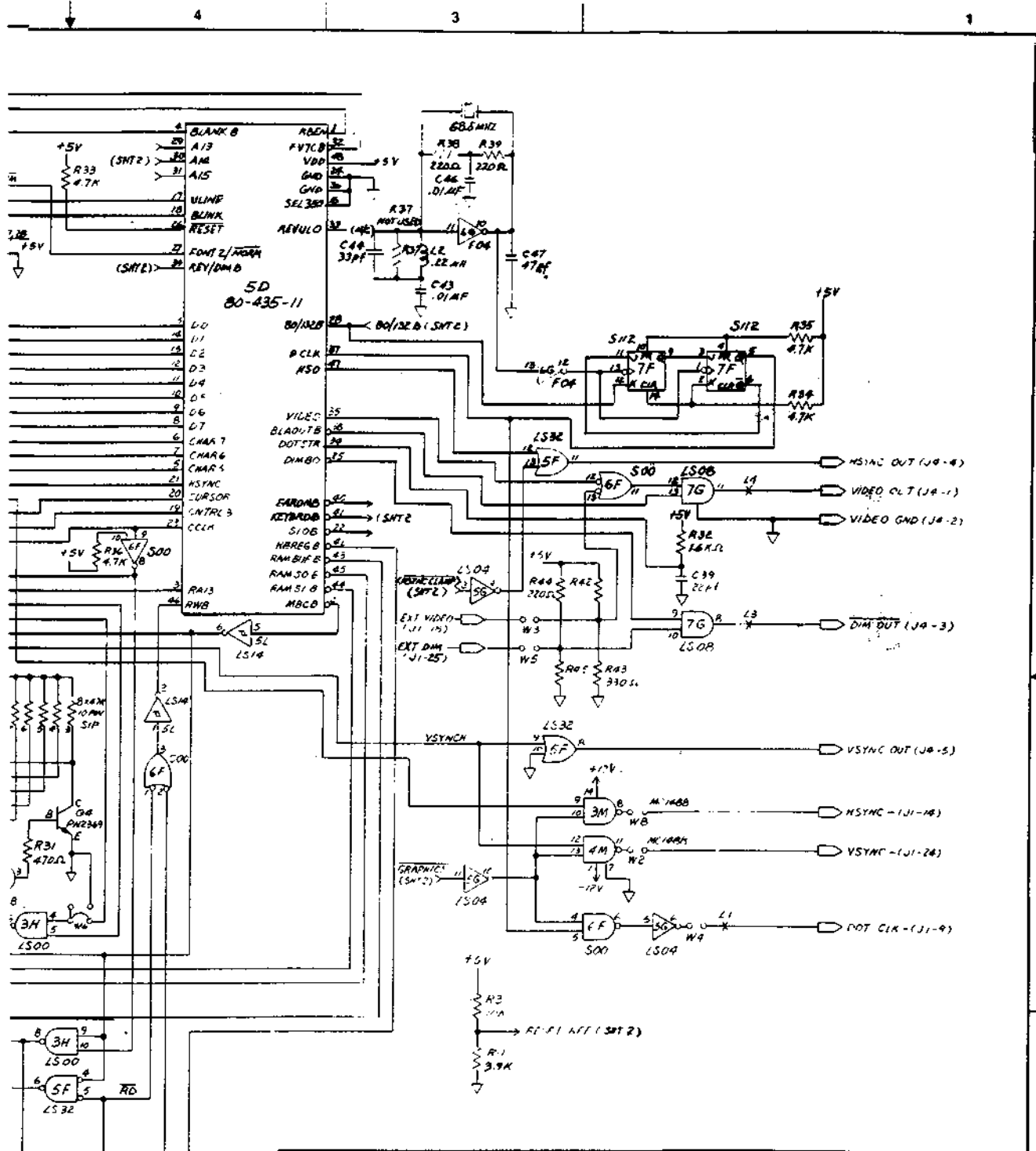


REV	DATE	BY	CHKD	APP'D	PARTS LIST	SHOWS LAYOUT OR IDENTIFICATION	MATERIAL SPECIFICATION
WYSE TECHNOLOGY INCORPORATED LOGIC BOARD, WY-50+				PARTS LIST			
SIZE: D SCALE:		FSCM NO: DWG NO: 96-058-05		REV:		SHEET: 2 OF 2	
DO NOT SCALE DRAWING							





APPLICATION		THIRD ANGLE PROJECTION	
<p>DATE: _____</p> <p>DESIGNED BY: _____</p> <p>CHECKED BY: _____</p> <p>SCALE: _____</p>			



PARTS LIST		DATE		REV		BY		CHKD		APP'D	
Q1	LS04	Q2	LS05	Q3	LS06	Q4	LS07	Q5	LS08	Q6	LS09
Q7	LS10	Q8	LS11	Q9	LS12	Q10	LS13	Q11	LS14	Q12	LS15
Q13	LS16	Q14	LS17	Q15	LS18	Q16	LS19	Q17	LS20	Q18	LS21
Q19	LS22	Q20	LS23	Q21	LS24	Q22	LS25	Q23	LS26	Q24	LS27
Q25	LS28	Q26	LS29	Q27	LS30	Q28	LS31	Q29	LS32	Q30	LS33
Q31	LS34	Q32	LS35	Q33	LS36	Q34	LS37	Q35	LS38	Q36	LS39
Q37	LS40	Q38	LS41	Q39	LS42	Q40	LS43	Q41	LS44	Q42	LS45
Q43	LS46	Q44	LS47	Q45	LS48	Q46	LS49	Q47	LS50	Q48	LS51
Q49	LS52	Q50	LS53	Q51	LS54	Q52	LS55	Q53	LS56	Q54	LS57
Q55	LS58	Q56	LS59	Q57	LS60	Q58	LS61	Q59	LS62	Q60	LS63
Q61	LS64	Q62	LS65	Q63	LS66	Q64	LS67	Q65	LS68	Q66	LS69
Q67	LS70	Q68	LS71	Q69	LS72	Q70	LS73	Q71	LS74	Q72	LS75
Q73	LS76	Q74	LS77	Q75	LS78	Q76	LS79	Q77	LS80	Q78	LS81
Q79	LS82	Q80	LS83	Q81	LS84	Q82	LS85	Q83	LS86	Q84	LS87
Q85	LS88	Q86	LS89	Q87	LS90	Q88	LS91	Q89	LS92	Q90	LS93
Q91	LS94	Q92	LS95	Q93	LS96	Q94	LS97	Q95	LS98	Q96	LS99
Q97	LS100										

WYSE WYSE TECHNOLOGY

LOGIC BOARD, WY-50+

SIZE 45CM NO D DWG NO 96-058-05 REV A

SCALE SHEET 1 OF 2

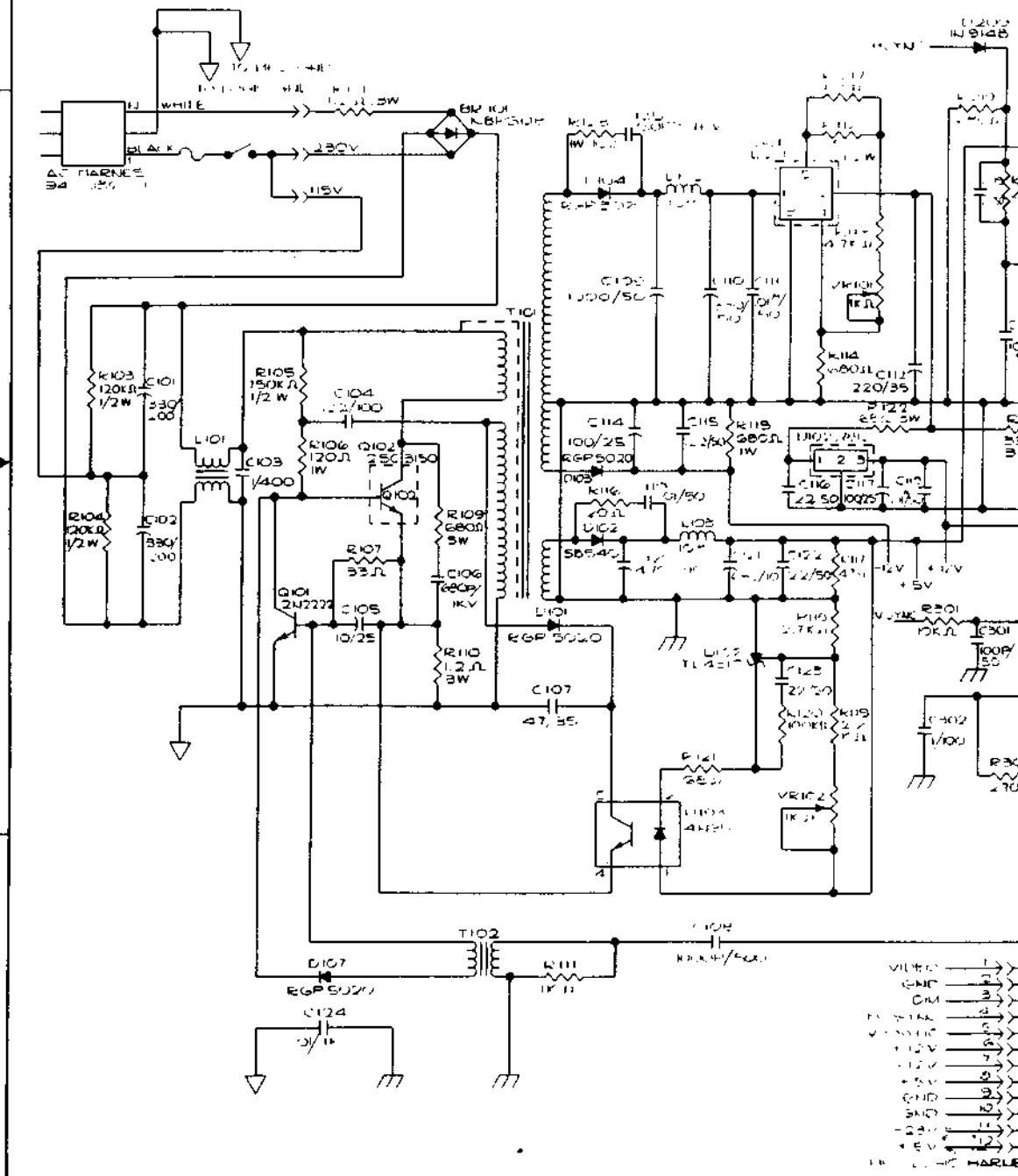
NOTES

- 1. ALL RESISTORS ARE 1/4 W. 5% TOLERANCE UNLESS OTHERWISE SPECIFIED.
- 2. ALL CAPACITORS ARE IN MICROFARADS UNLESS OTHERWISE SPECIFIED.

FUSE 2A. FOR 115V AC
2A. FOR 230V AC

ALL CAPACITORS ARE IN MICROFARADS UNLESS OTHERWISE SPECIFIED.

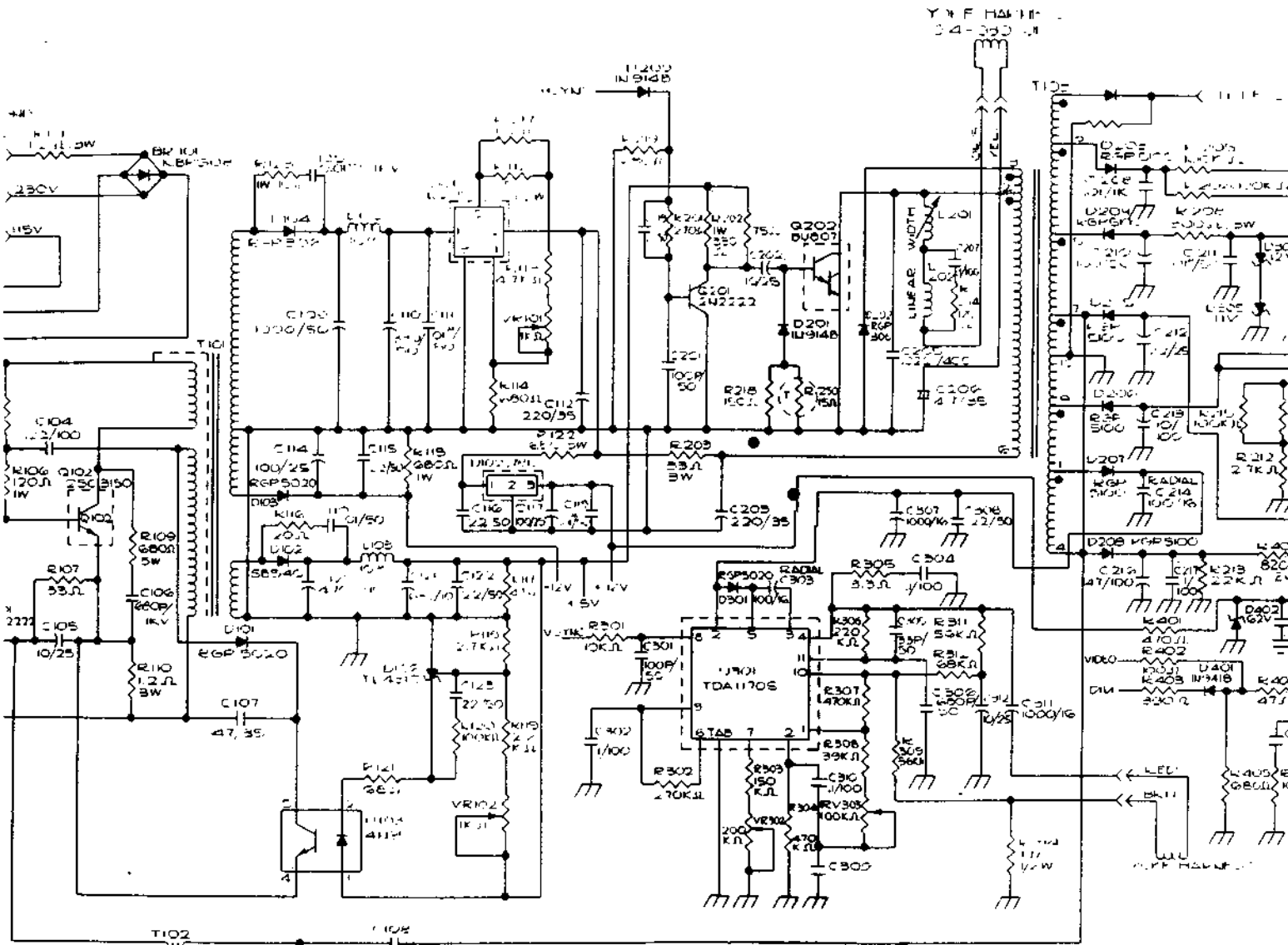
D
C
B
A



V101	1
GND	2
CM	3
24V	4
12V	5
+5V	6
GND	7
-5V	8
-12V	9
GND	10
-24V	11
+5V	12

1/4 W 5% UNLESS OTHERWISE SPECIFIED
IN ALL UNLESS OTHERWISE SPECIFIED

ALL 1/4 W 5% UNLESS OTHERWISE SPECIFIED
 1/4 W 5% UNLESS OTHERWISE SPECIFIED
 1/4 W 5% UNLESS OTHERWISE SPECIFIED
 1/4 W 5% UNLESS OTHERWISE SPECIFIED
 1/4 W 5% UNLESS OTHERWISE SPECIFIED
 1/4 W 5% UNLESS OTHERWISE SPECIFIED

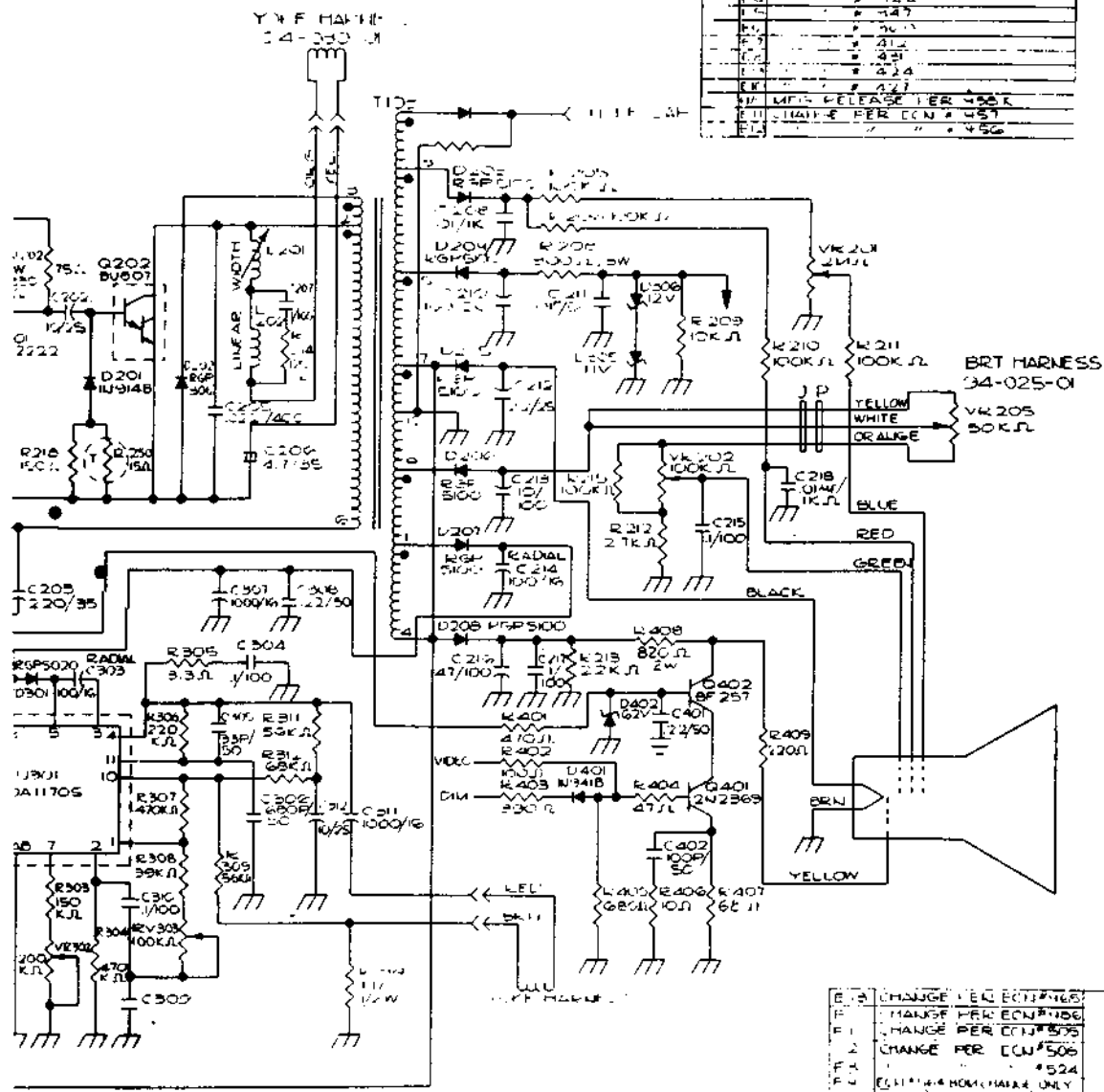


- VIDEO 1 → WHITE
- VIDEO 2 → BLACK
- VIDEO 3 → ORANGE
- VIDEO 4 → YELLOW
- VIDEO 5 → GREEN
- VIDEO 6 → BLUE
- VIDEO 7 → RED
- VIDEO 8 → PURPLE
- VIDEO 9 → BLACK
- VIDEO 10 → BLACK
- VIDEO 11 → PURPLE
- VIDEO 12 → RED

99-00-01		DO NOT SCALE DRAWING	
APPLICATION		THRO ANGLE PROJECTION	

DWG NO 96-019-01 REV FS

REV	DESCRIPTION
1	SEE DCU # 187
2	# 183
3	# 205
4	# 204
5	# 214
6	# 216
7	# 208
8	# 285
9	# 287
10	# 224
11	# 243
12	# 247
13	# 261
14	# 212
15	# 231
16	# 224
17	# 227
18	UNIT RELEASE PER 456K
19	UNIT RELEASE PER DCU # 457
20	" " " " # 458



- WHITE
 - BLACK
 - ORANGE
 - YELLOW
 - GREEN
 - BLUE
 - GRAY
 - PURPLE
 - BLACK
 - BLACK
 - PURPLE
 - RED
- 34-034-01

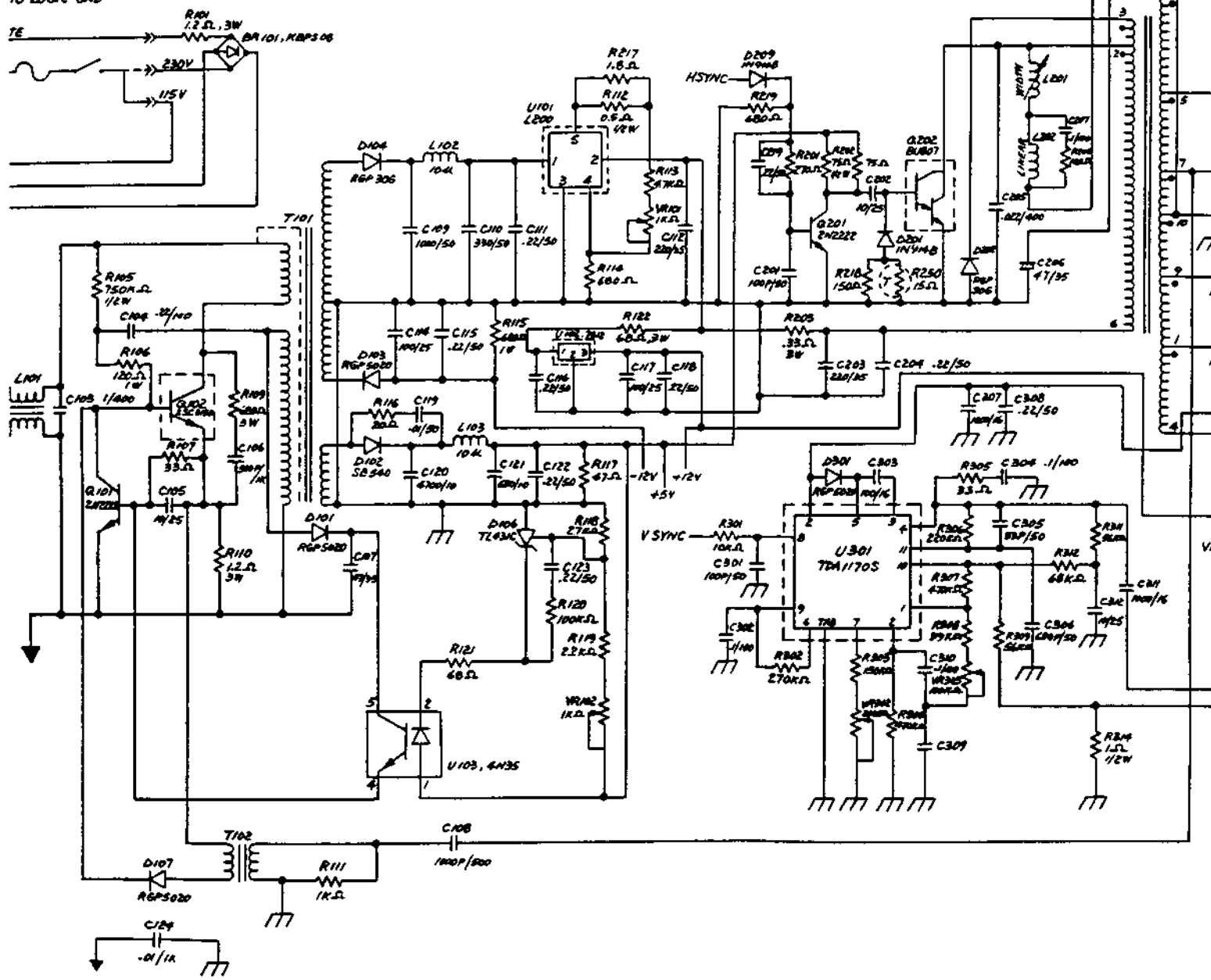
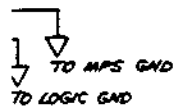
E	CHANGE WEL BOTTING
F	CHANGE PER DCU #186
F1	CHANGE PER DCU #185
F2	CHANGE PER DCU #506
F3	#524
F4	EQUIP. MOD. HAR. ONLY
F5	CHANGE PER DCU #666

<p>96-019-01</p> <p>APPLICATION: THIRD ANGLE PROJECTION</p>		<p>WYSE WYSE TECHNOLOGY</p> <p>WY 504411 & POWER SUPPLY</p> <p>SIZE: D</p> <p>SCALE: 1:1</p>	
<p>THIRD ANGLE PROJECTION</p>		<p>WY 504411 & POWER SUPPLY</p>	
<p>96-019-01</p>		<p>96-019-01</p>	

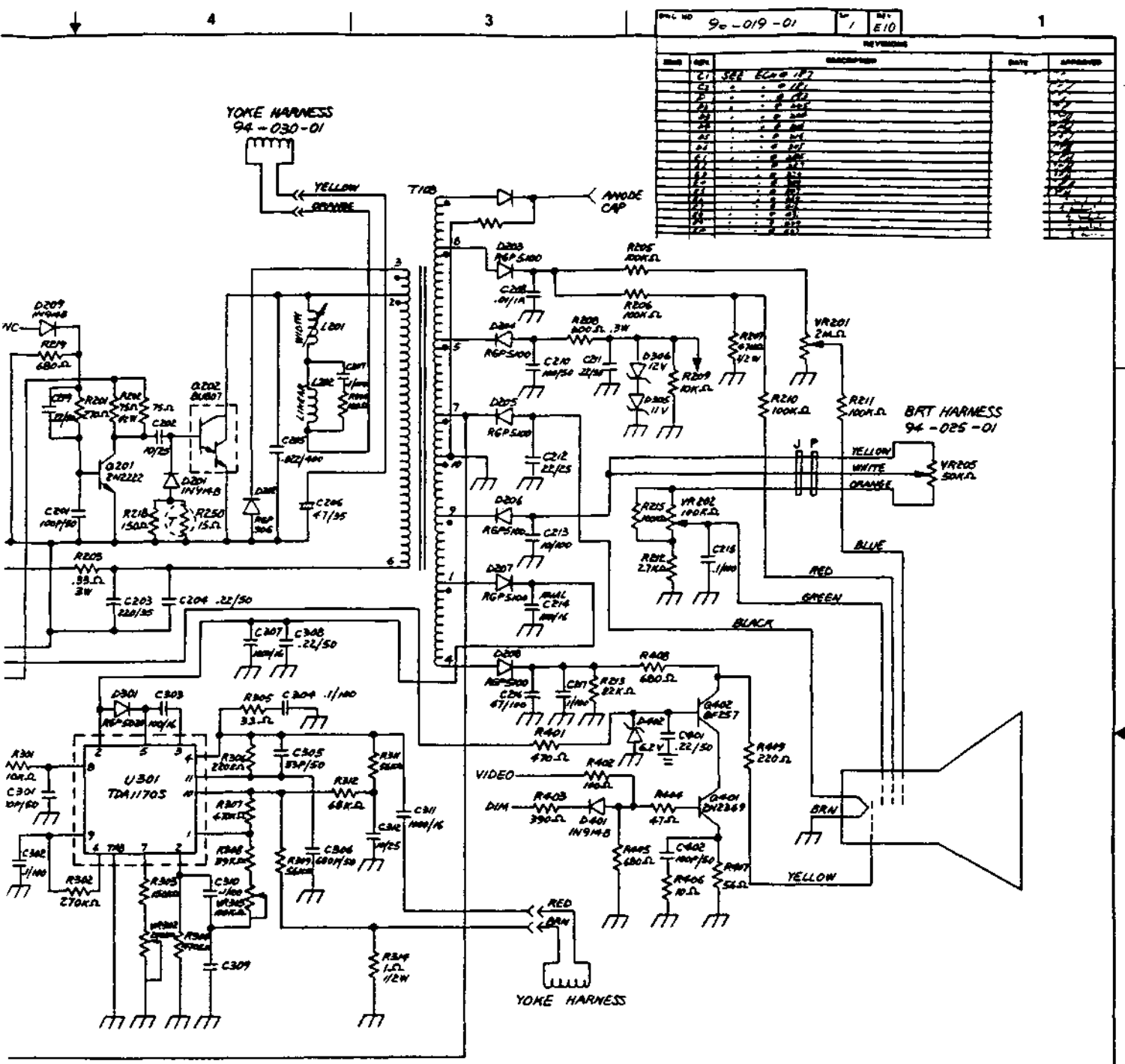
VLESS
 S
 FUSE : 2A, FOR 115 V AC
 2A, FOR 230 V AC

ADJ. VR101 : +23.5V
 VR102 : +24.5V
 VR201 : FOCUS
 VR202 : SLUB-BART
 VR302 : V-MGT
 VR303 : V-LIN

YOKE HARNESS
 94-030-01



99-019-01	NY-50
APPLICATION	
THIRD ANGLE PROJECTION	



REV	NO	DESCRIPTION	DATE	APPROVED
1	1	SEE E10 177		
2	1	...		
3	1	...		
4	1	...		
5	1	...		
6	1	...		
7	1	...		
8	1	...		
9	1	...		
10	1	...		
11	1	...		
12	1	...		
13	1	...		
14	1	...		
15	1	...		
16	1	...		
17	1	...		
18	1	...		
19	1	...		
20	1	...		

REV	NO	DESCRIPTION	DATE	APPROVED
1	1	...		
2	1	...		
3	1	...		
4	1	...		
5	1	...		
6	1	...		
7	1	...		
8	1	...		
9	1	...		
10	1	...		
11	1	...		
12	1	...		
13	1	...		
14	1	...		
15	1	...		
16	1	...		
17	1	...		
18	1	...		
19	1	...		
20	1	...		

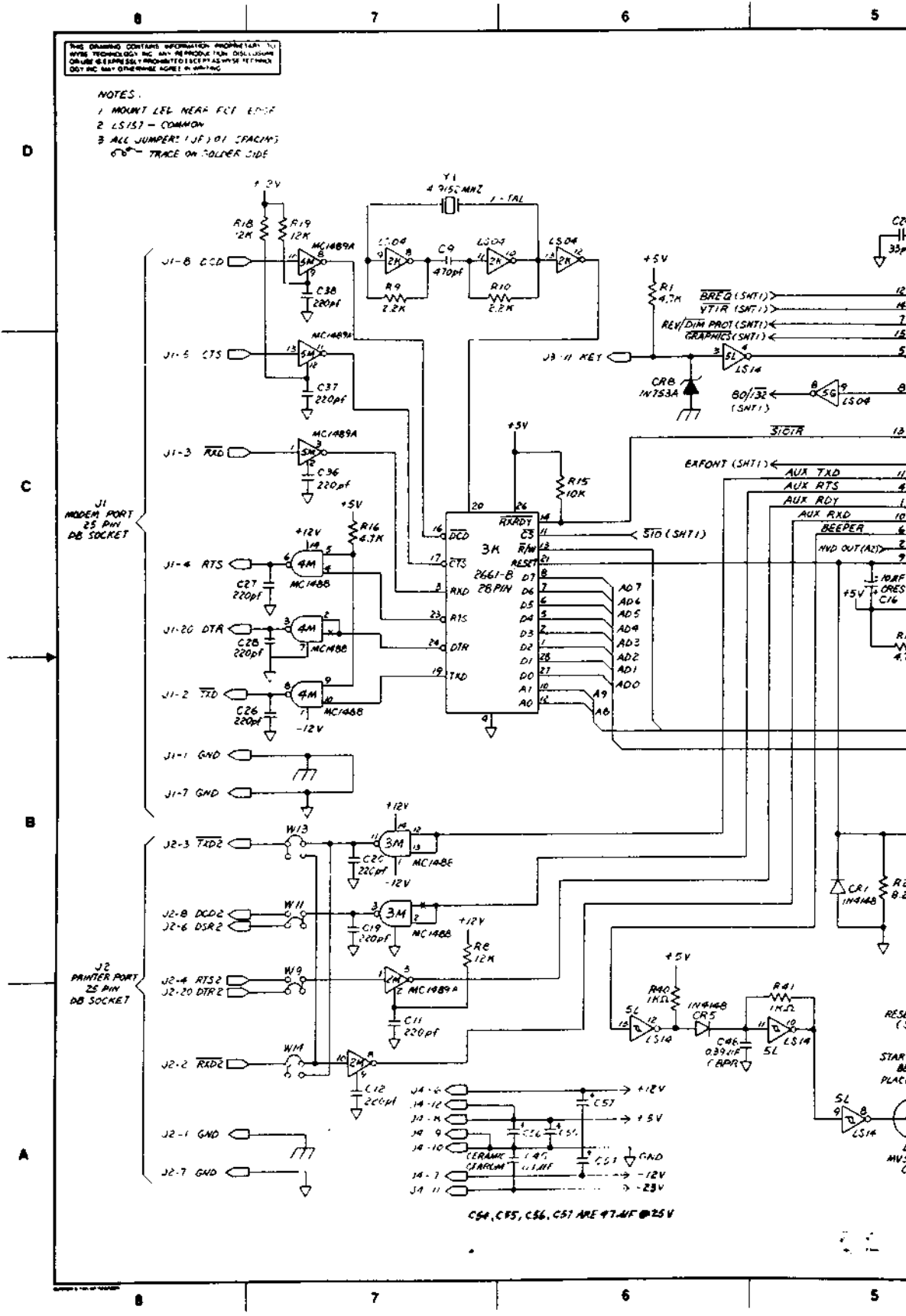
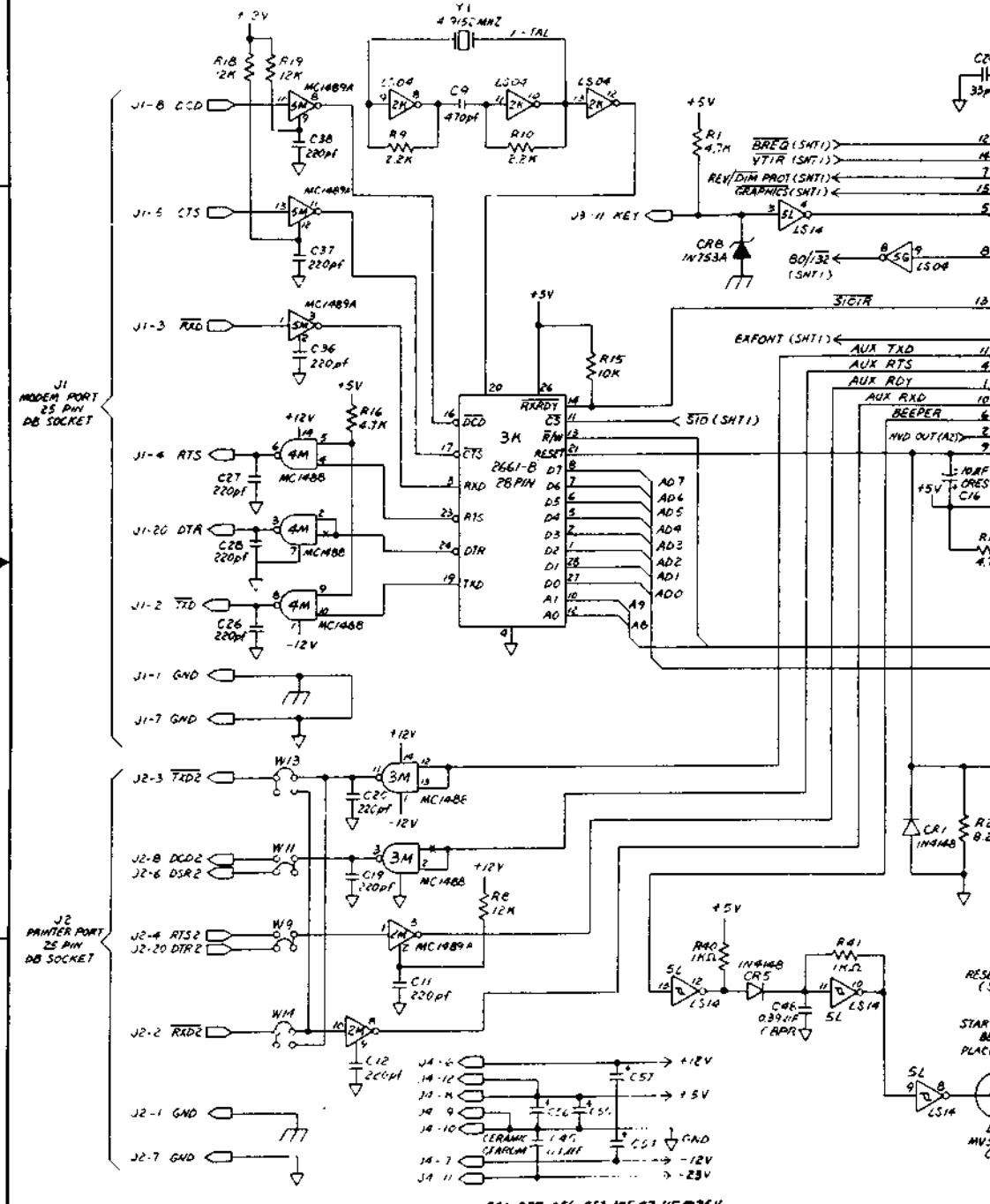
99-019-01	WY-50	WYSE TECHNOLOGY
APPLICATION	THIRD ANGLE PROJECTION	WYSE TECHNOLOGY
THIRD ANGLE PROJECTION	DO NOT SCALE DRAWING	WYSE TECHNOLOGY

PARTS LIST		WYSE TECHNOLOGY	
WY-50 MONITOR POWER SUPPLY		SIZE	DWG NO
D	96-019-01	SCALE	REV
			E10

THIS DRAWING CONTAINS INFORMATION PROPRIETARY TO HYPER TECHNOLOGY INC. ANY REPRODUCTION, DISSEMINATION OR USE OF THIS DRAWING WITHOUT THE WRITTEN CONSENT OF HYPER TECHNOLOGY INC. IS STRICTLY PROHIBITED. ANY VIOLATION OF THIS NOTICE MAY BE CAUSE FOR LEGAL ACTION.

- NOTES:
 1 MOUNT LED NEAR FET EDGE
 2 LS157 - COMMON
 3 ALL JUMPER 1 JF 101 SPACING
 C6 - TRACE ON SOLDER SIDE

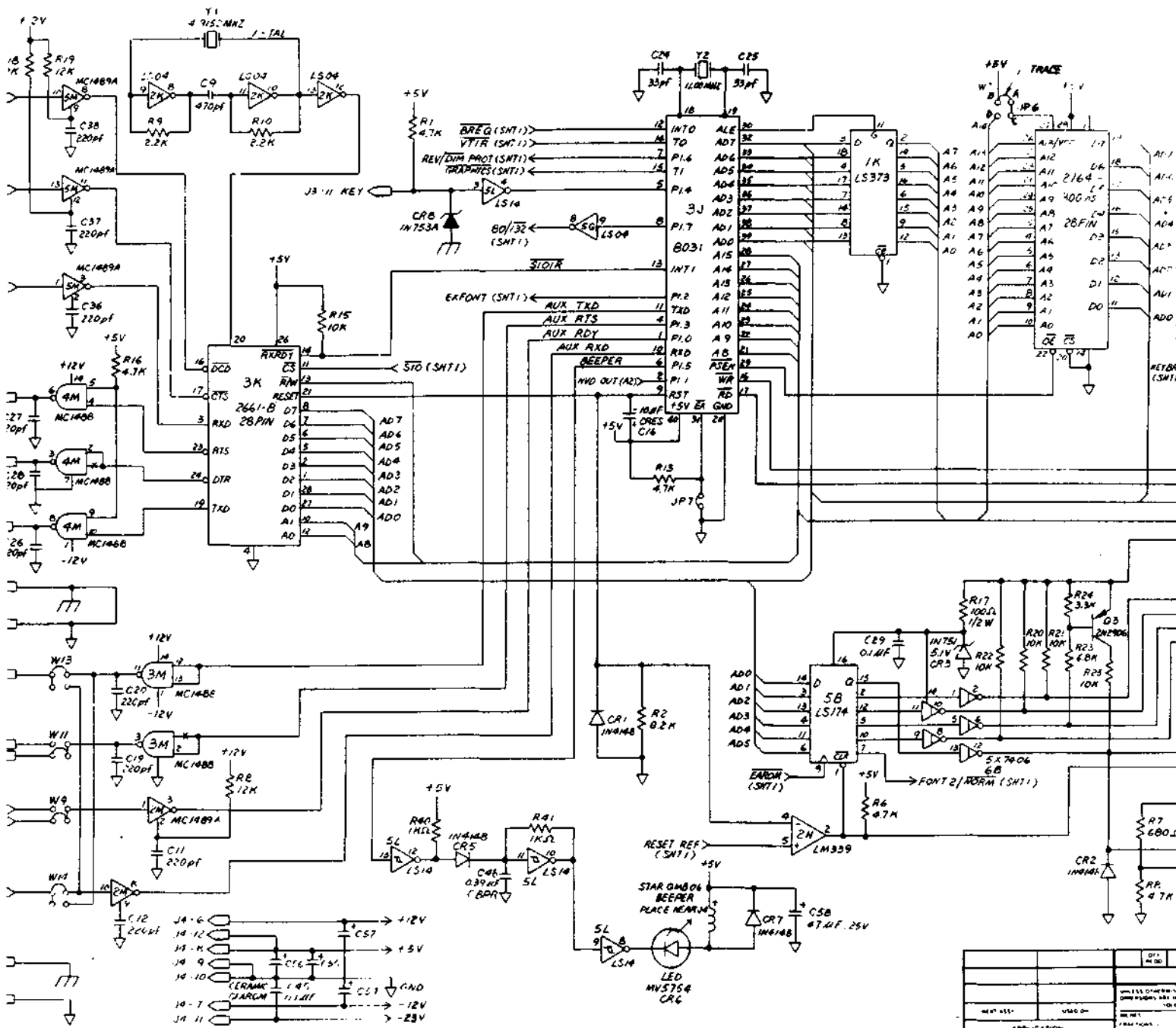
D
C
B
A



C54, C55, C56, C57 ARE 47 MF @ 25V

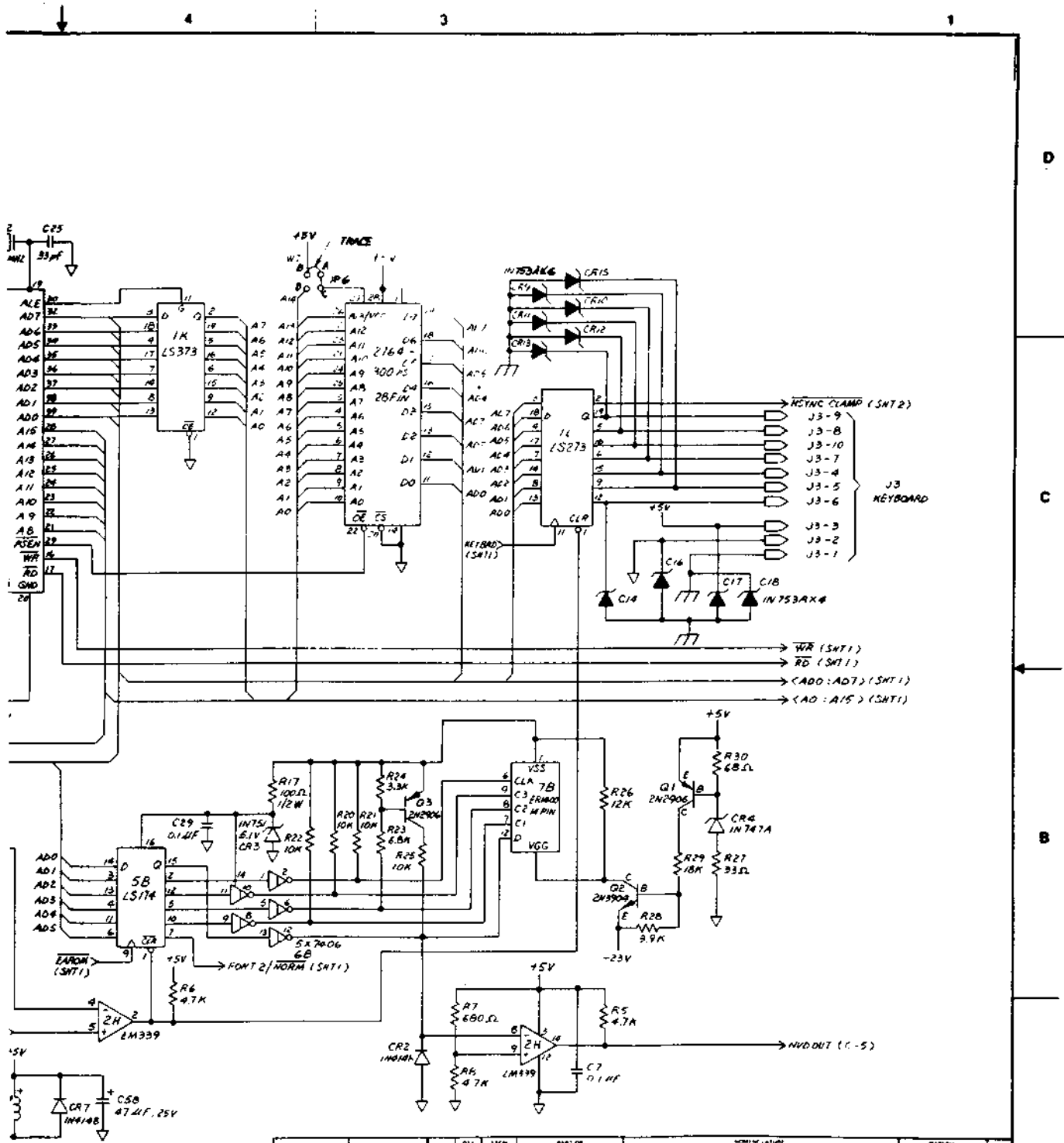
UNIT 11
ALUSUM
12-1964

E-252
PAC/MP
SIDE



C54, C85, C56, C51 ARE 47.4K @ 25V

APPLICATION		UNIT 11
THIRD ANGLE PROJECTION		UNIT 11
DO NOT SCALE		UNIT 11

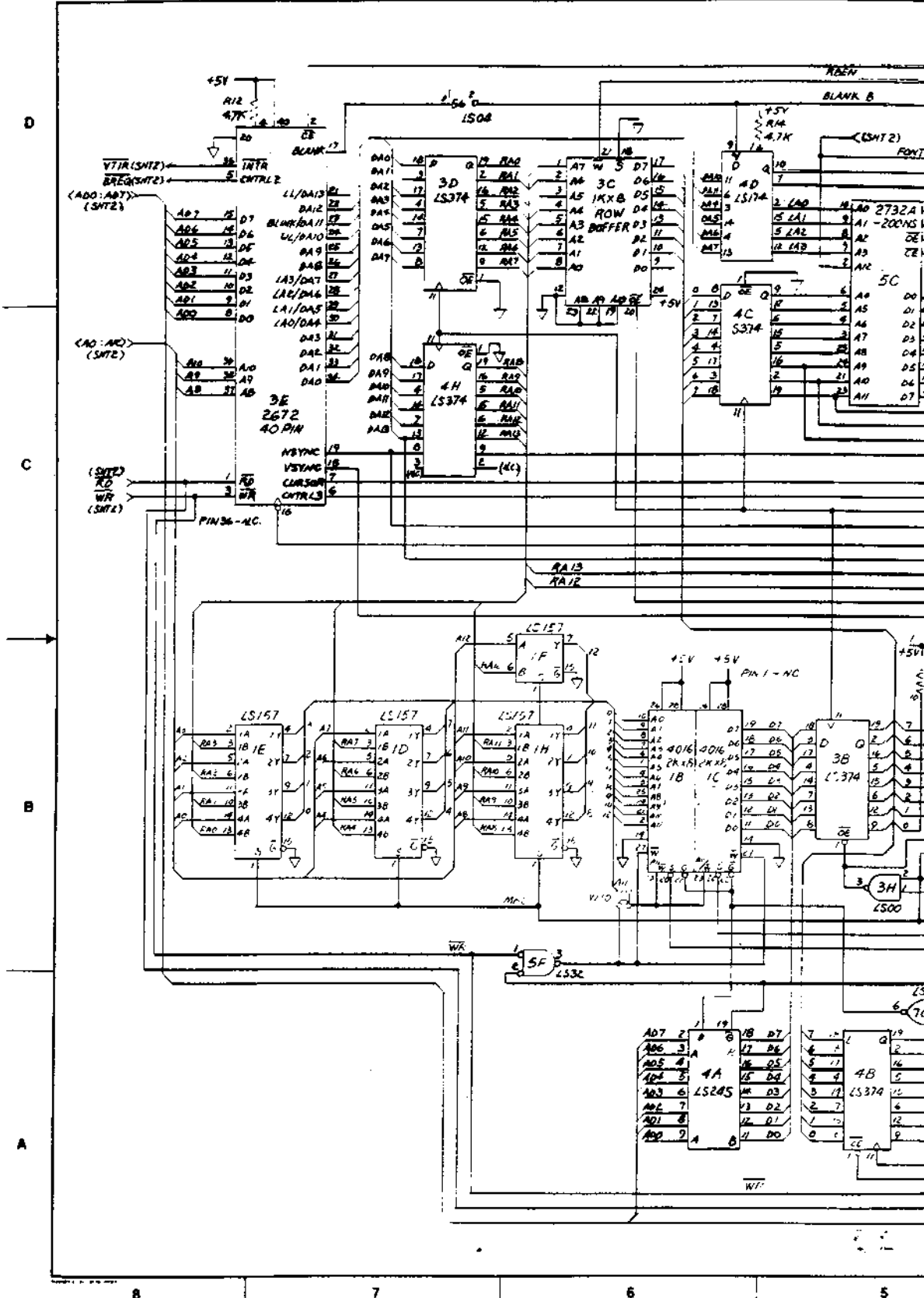


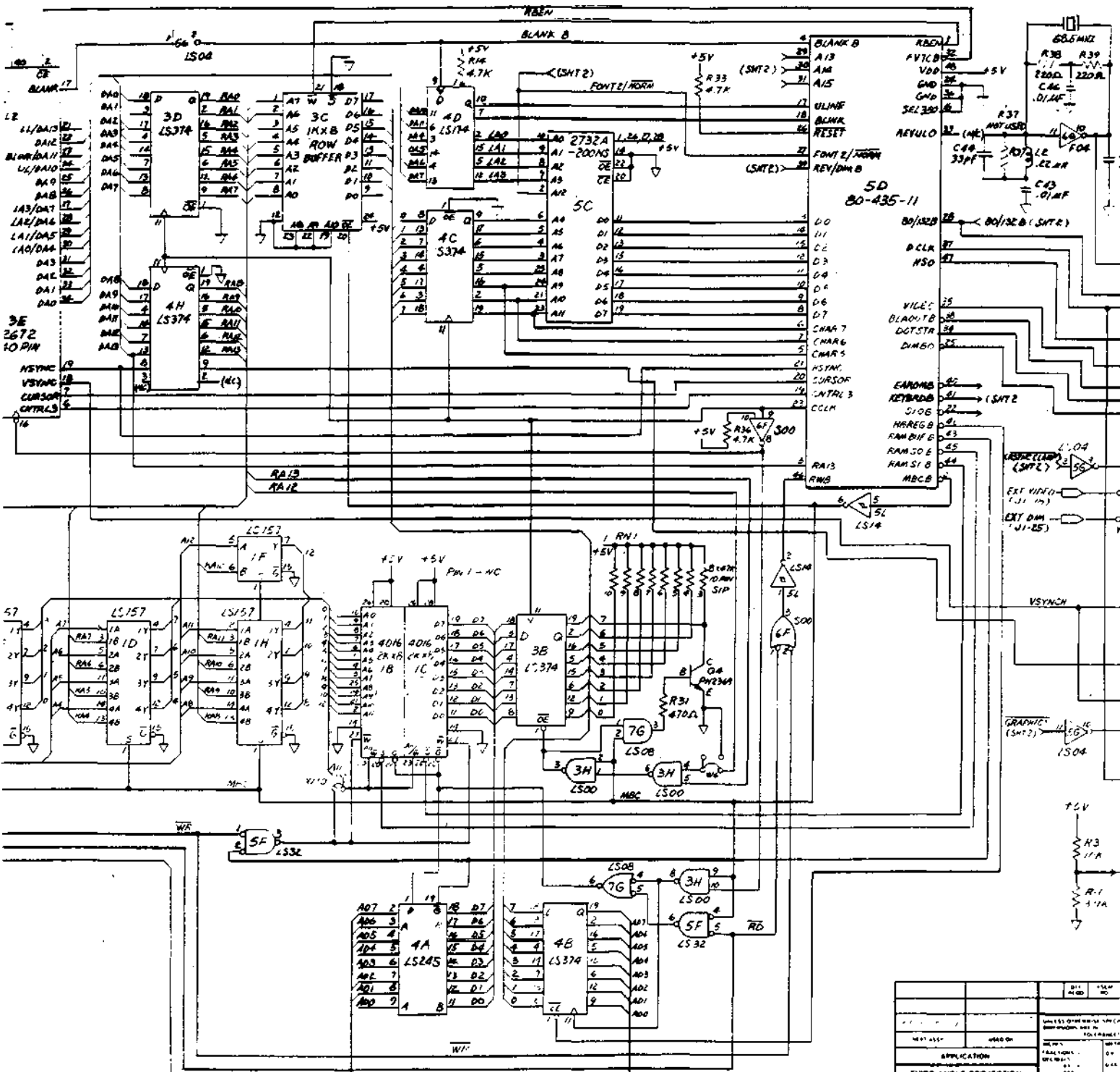
REV	DESCRIPTION	DATE	BY	CHKD	APP'D

PARTS LIST	
Q1	2N2906
Q2	2N2909
Q3	2N2906
Q4	2N2906
Q5	2N2906
Q6	2N2906
Q7	2N2906
Q8	2N2906
Q9	2N2906
Q10	2N2906
Q11	2N2906
Q12	2N2906
Q13	2N2906
Q14	2N2906
Q15	2N2906
Q16	2N2906
Q17	2N2906
Q18	2N2906
Q19	2N2906
Q20	2N2906
Q21	2N2906
Q22	2N2906
Q23	2N2906
Q24	2N2906
Q25	2N2906
Q26	2N2906
Q27	2N2906
Q28	2N2906
Q29	2N2906
Q30	2N2906
Q31	2N2906
Q32	2N2906
Q33	2N2906
Q34	2N2906
Q35	2N2906
Q36	2N2906
Q37	2N2906
Q38	2N2906
Q39	2N2906
Q40	2N2906
Q41	2N2906
Q42	2N2906
Q43	2N2906
Q44	2N2906
Q45	2N2906
Q46	2N2906
Q47	2N2906
Q48	2N2906
Q49	2N2906
Q50	2N2906

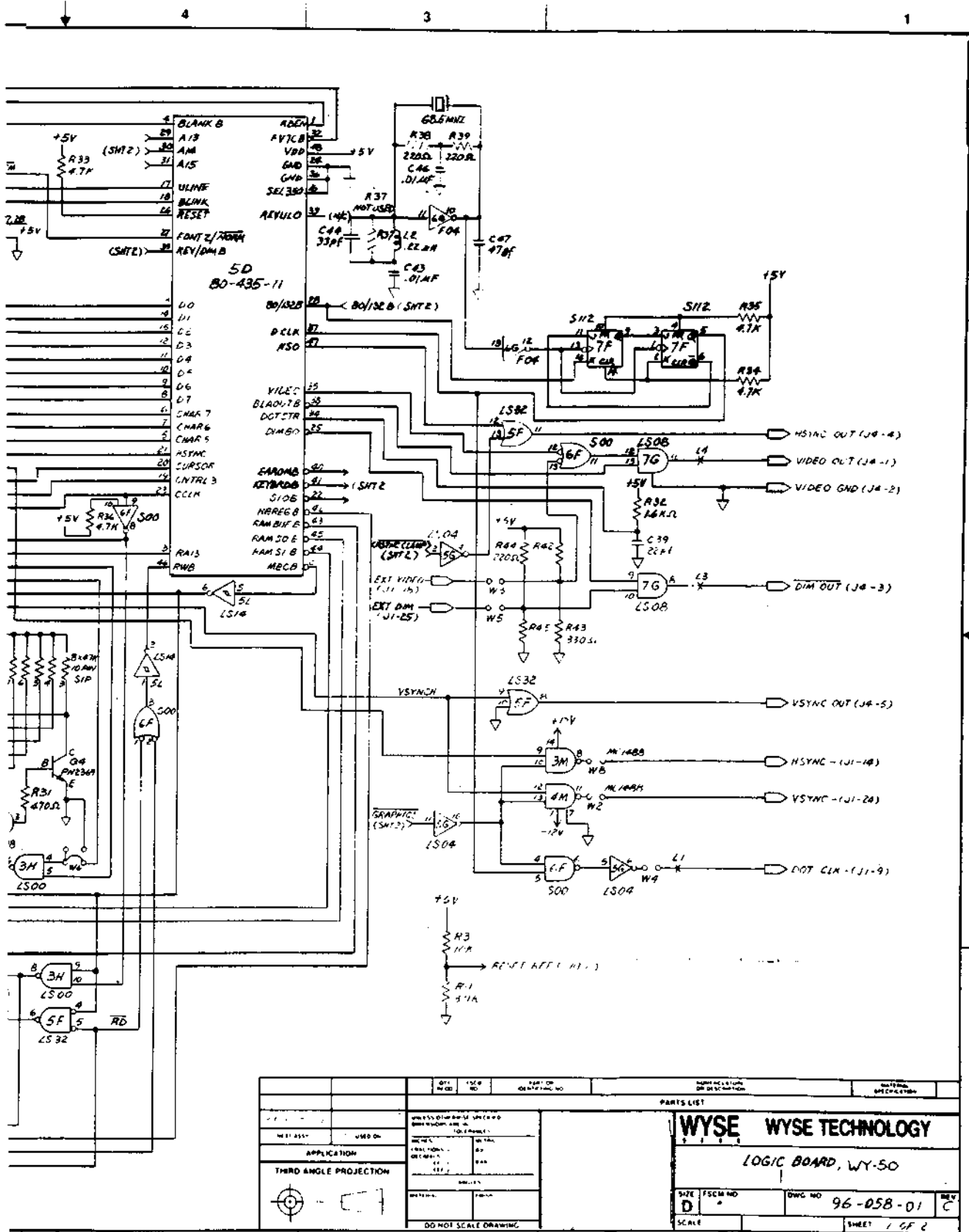
WYSE TECHNOLOGY INCORPORATED
 LOGIC BOARD, WY-50

SIZE: FSCM NO. DWG NO. 96-058-01 REV C
 SCALE: SHEET 2 OF 2





APPLICATION		DATE	BY
THIRD ANGLE PROJECTION			
DO NOT SCALE			

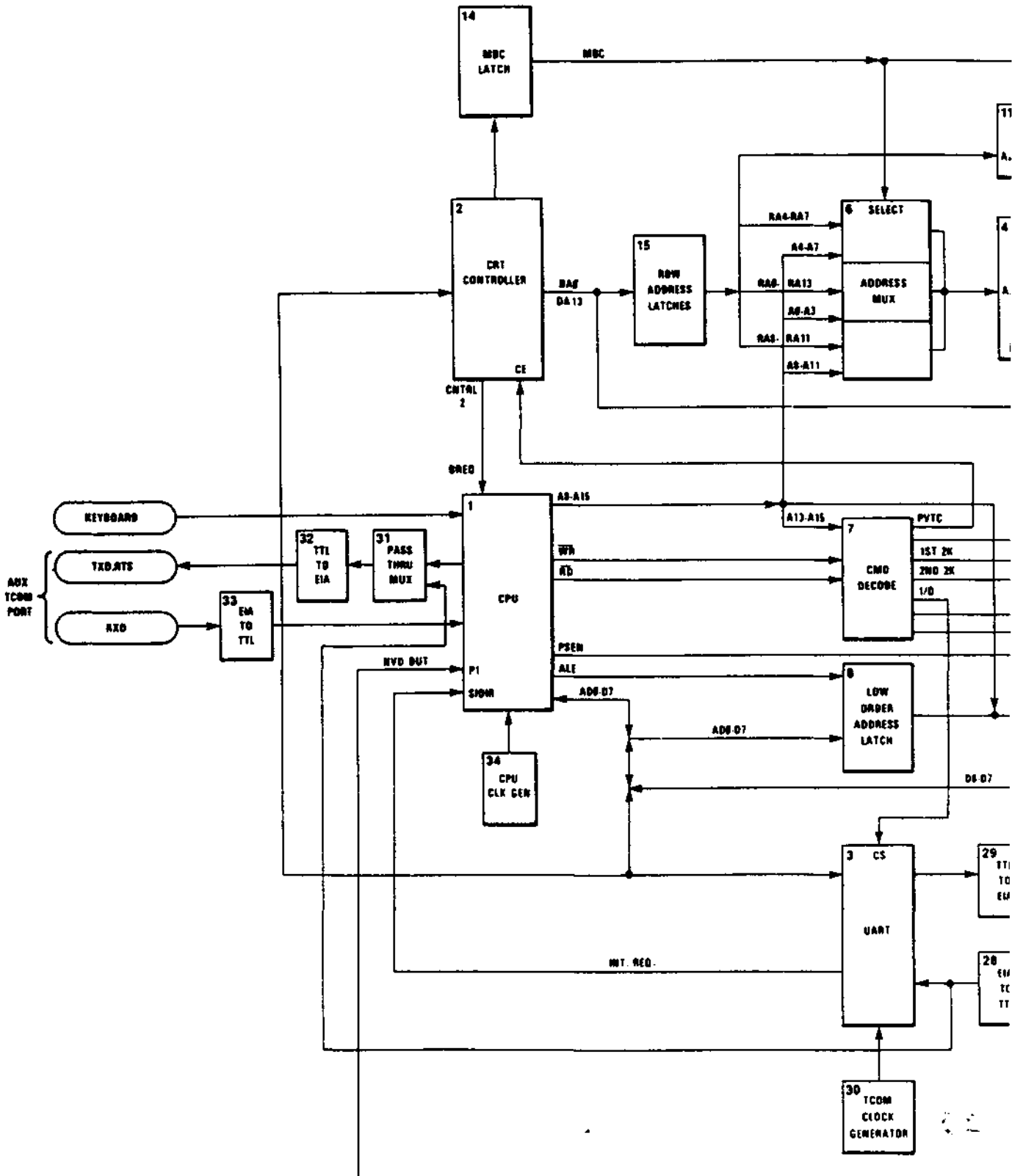


REV	DATE	BY	CHKD	APP'D	DESCRIPTION

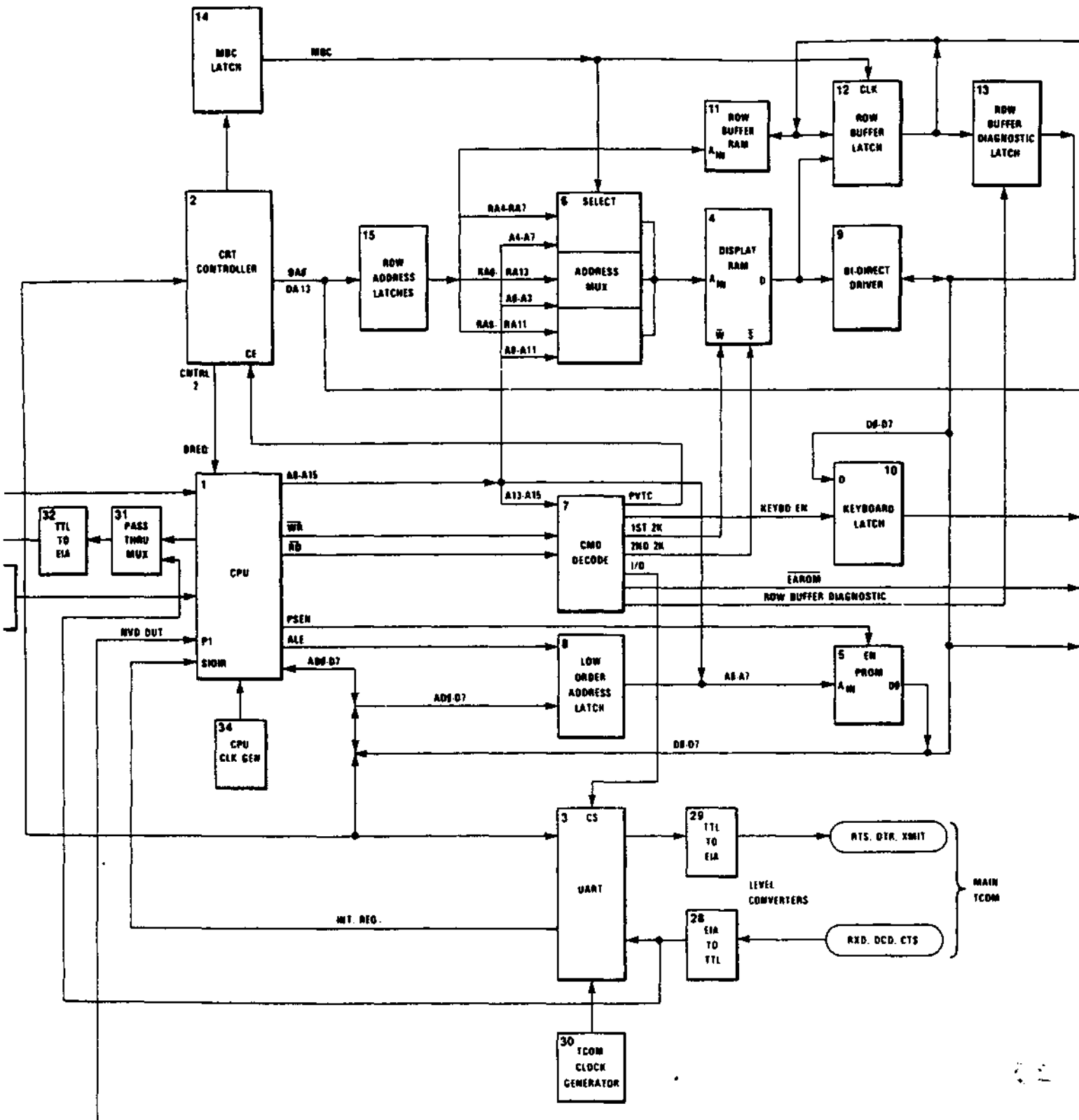
PARTS LIST		MATERIAL SPECIFICATION	
QTY	DESC	QTY	DESC

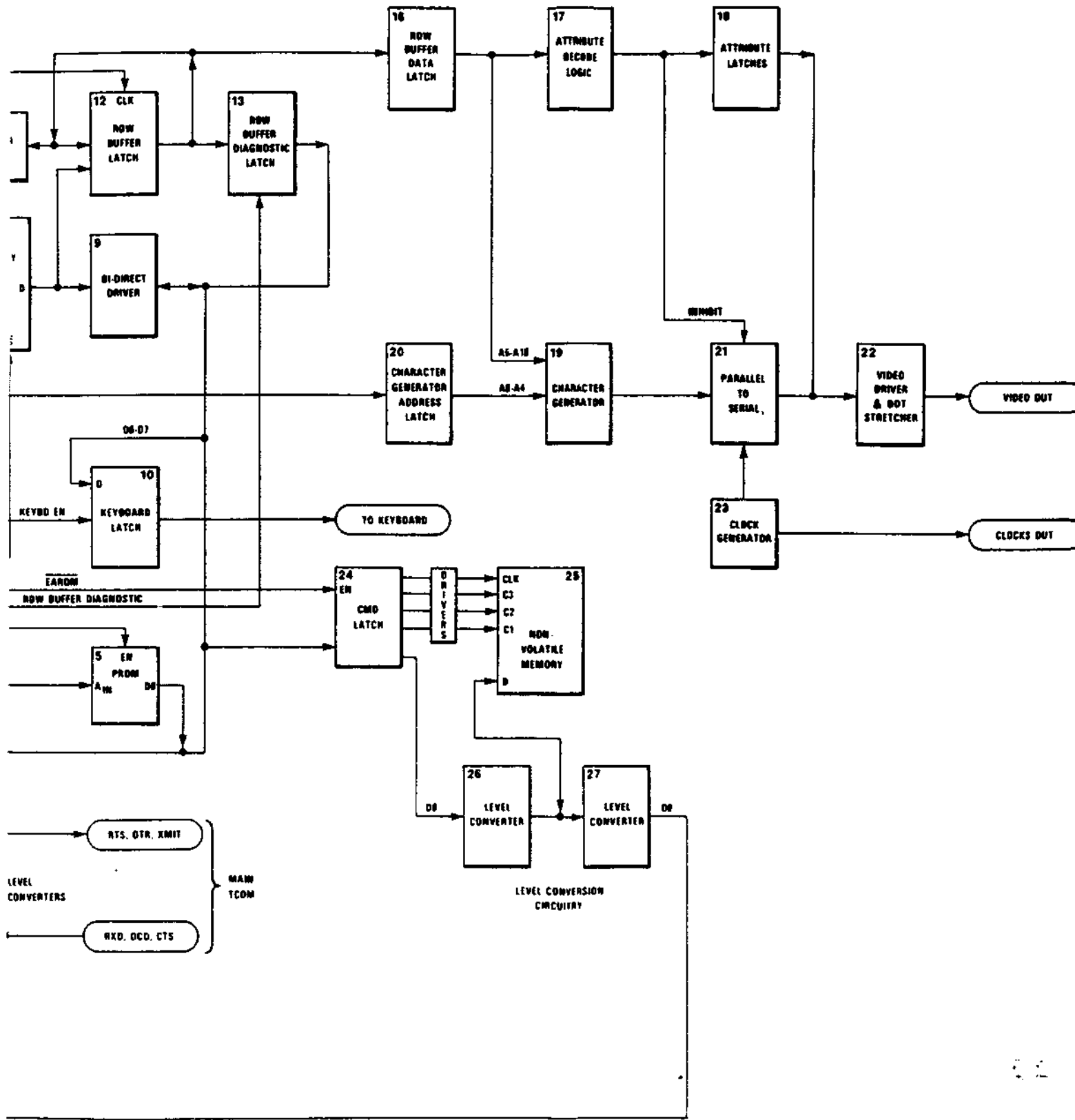
WYSE TECHNOLOGY LOGIC BOARD, WY-50	
SIZE: 1.000" X 1.000" Dwg No: 96-058-01 SCALE: 1:1	REV: C SHEET: 1 OF 2

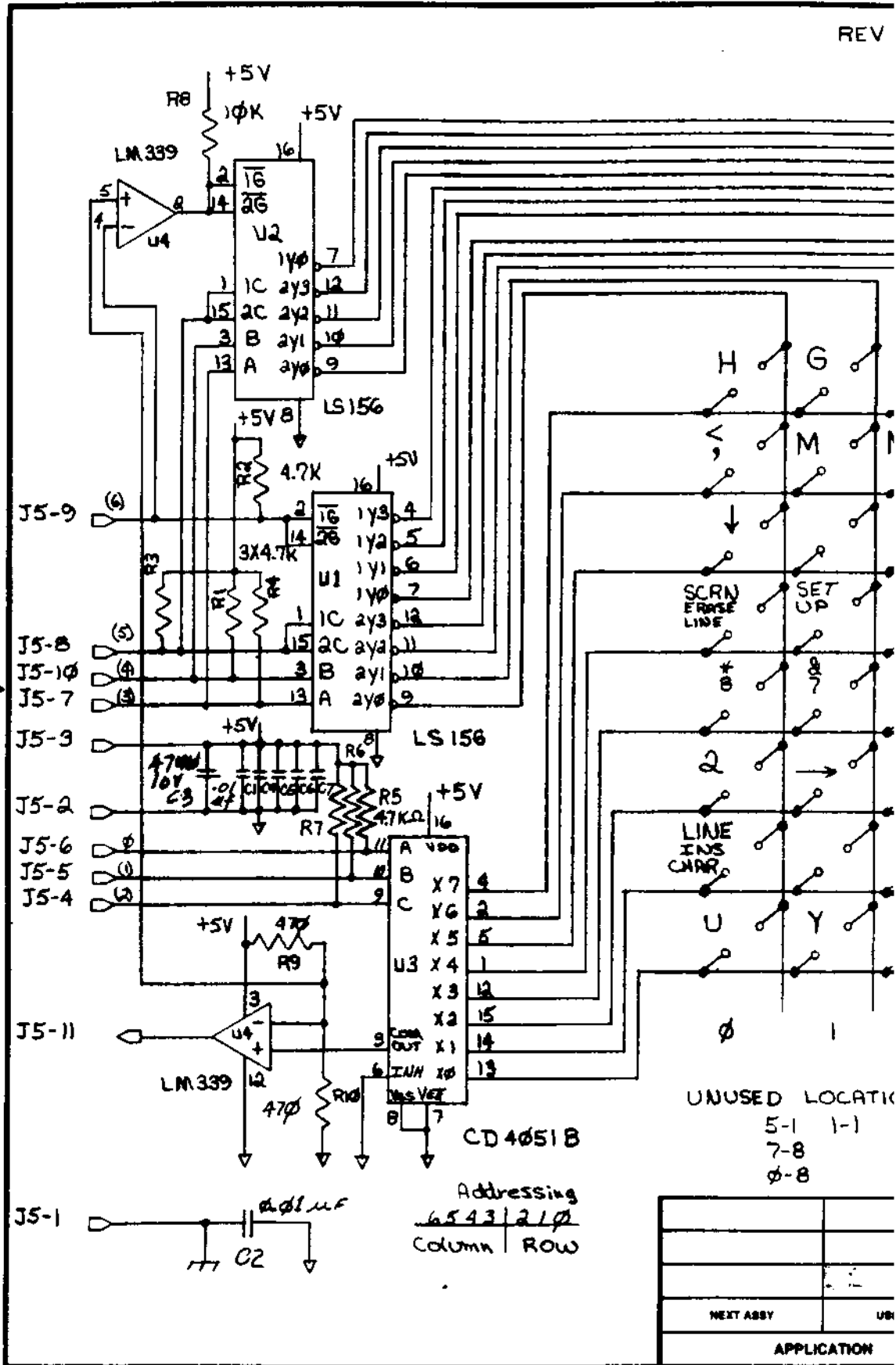
Figure 6-2 Microprocessor PCB Block Diagram



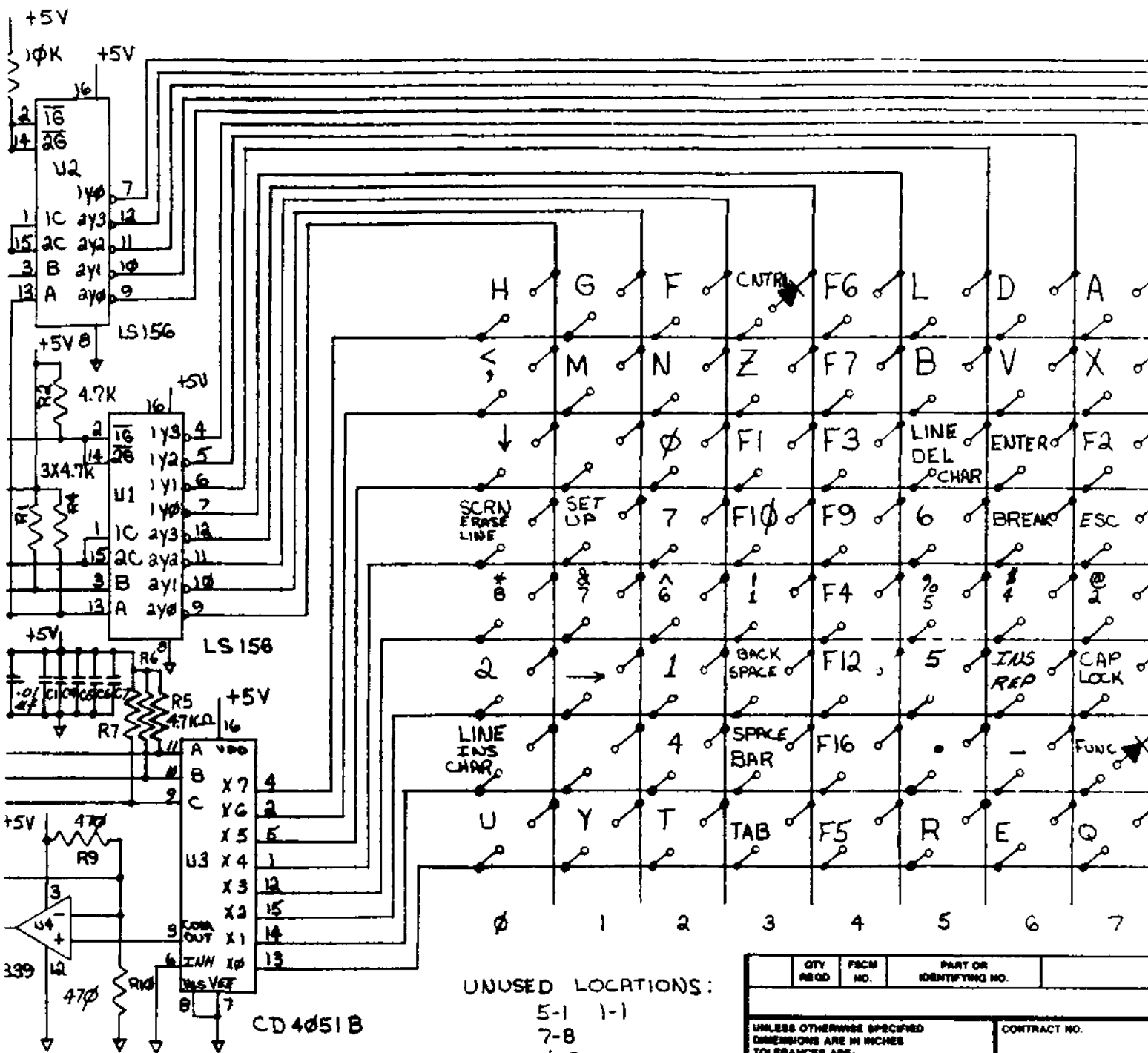
rocessor PCB Block Diagram







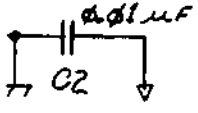
REV 3 Change Pullups to 4.7K Ω



UNUSED LOCATIONS:
 5-1 1-1
 7-8
 ∅-8

Addressing
 6543 | 21∅
 Column | Row

QTY REQD	PBOM NO.	PART OR IDENTIFYING NO.	CONTRACT NO.
UNLESS OTHERWISE SPECIFIED DIMENSIONS ARE IN INCHES TOLERANCES ARE:			APPROVALS
FRACTIONS ±	DECIMALS .XX ±	ANGLES ±	
MATERIAL			DRAWN
FINISH			CHECKED
NEXT ASSY			USED ON
APPLICATION			ISSUED
DO NOT SCALE DRAWING			

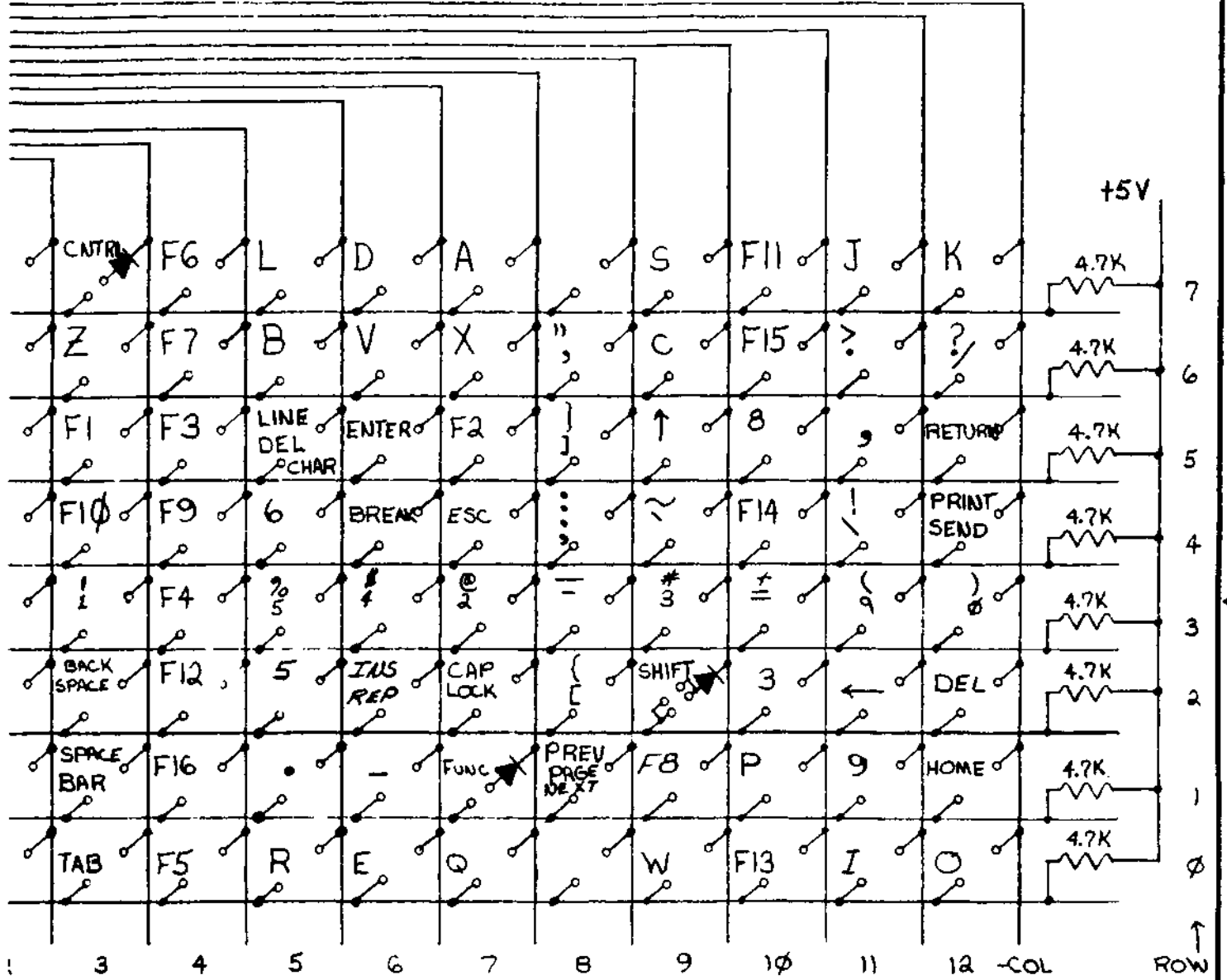




DWG. NO.	SH	REV.
----------	----	------

Change Pullups to 4.7K Ω

REVISIONS			
REV	DESCRIPTION	DATE	APPROVED
2	ADD Comm. key		



QTY REQD	FSCM NO.	PART OR IDENTIFYING NO.	NOMENCLATURE OR DESCRIPTION	MATERIAL SPECIFICATION
PARTS LIST				
UNLESS OTHERWISE SPECIFIED DIMENSIONS ARE IN INCHES TOLERANCES ARE: FRACTIONS DECIMALS ANGLES ± .XX ± ° ±		CONTRACT NO.		WYSE TECHNOLOGY KEYBOARD SCHEMATIC
MATERIAL		APPROVALS	DATE	
FINISH		DRAWN	CHECKED	SIZE B FSCM NO. DWG. NO. 96-013-01 REV. D
DO NOT SCALE DRAWING		ISSUED	SCALE	
			SHEET 1 of 1	





NEXT ASSY	USED ON
APPLICATION	



DWG. NO.	SH
----------	----

QTY REQD	PCCM NO.	PART OR IDENTIFYING NO.	
UNLESS OTHERWISE SPECIFIED DIMENSIONS ARE IN INCHES TOLERANCES ARE:			CONTRACT NO.
FRACTIONS ±	DECIMALS .XX ± .XXX ±	ANGLES ±	APPROVALS
MATERIAL			DRAWN <i>M. L. Beck</i>
FINISH			CHECKED
APPLICATION			ISSUED
DO NOT SCALE DRAWING			

NEXT ASSY	USED ON
APPLICATION	



DWG. NO.

SM

REV.

REVISIONS

REV.	DESCRIPTION	DATE	APPROVED
B	Rev Dot CLK Oscillator, Inhibit H-Sync on Power-UP Replace CLK w/ Dot CLK on graphics Interfac		1
C	Add 5.10 Zener & 100Ω Res to EARAMCKT.		
D	Add 1 ply to H-Sync, Separate GND for Video to monitor.		
D1	change R5, R24, R25 to 12K ohm 1/4W 5%		
D2	Remove Sockets, 3L, 3J, 6J		
D3	Location 3F changed to 1K x 8 Static Ram Sy 2158A		

QTY
REQD

FSCM
NO.

PART OR
IDENTIFYING NO.

NOMENCLATURE
OR DESCRIPTION

MATERIAL
SPECIFICATION

PARTS LIST

UNLESS OTHERWISE SPECIFIED
DIMENSIONS ARE IN INCHES
TOLERANCES ARE:

FRACTIONS DECIMALS ANGLES
± .XX ± ±

MATERIAL

ISSUE

CONTRACT NO.

APPROVALS

DATE

DRAWN *777*

6-28-83

CHECKED

ISSUED



WYSE TECHNOLOGY

LOGIC BOARD, WY-50

SIZE FSCM NO.

B

DWG. NO.

96-012-01

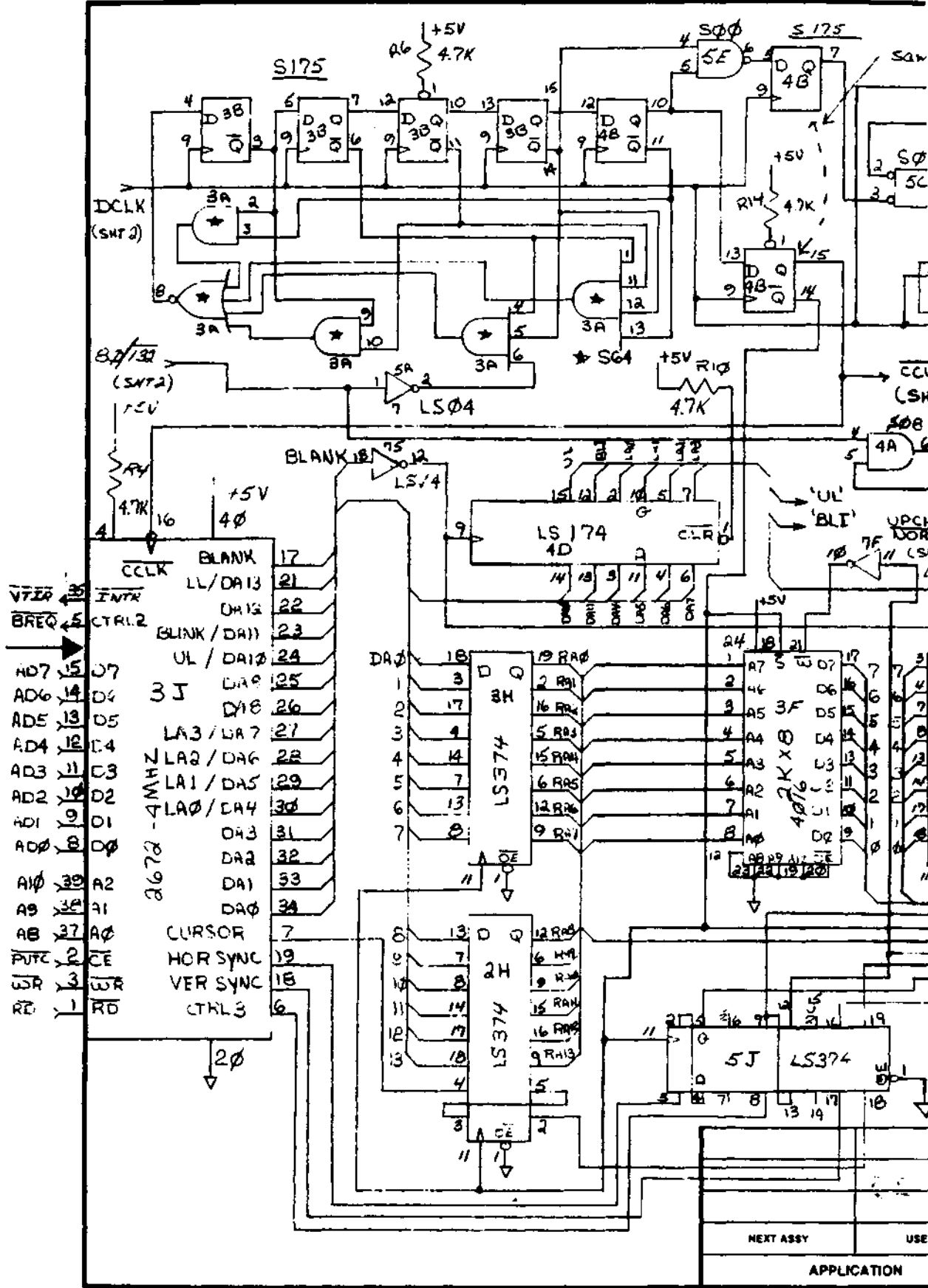
REV.

D3

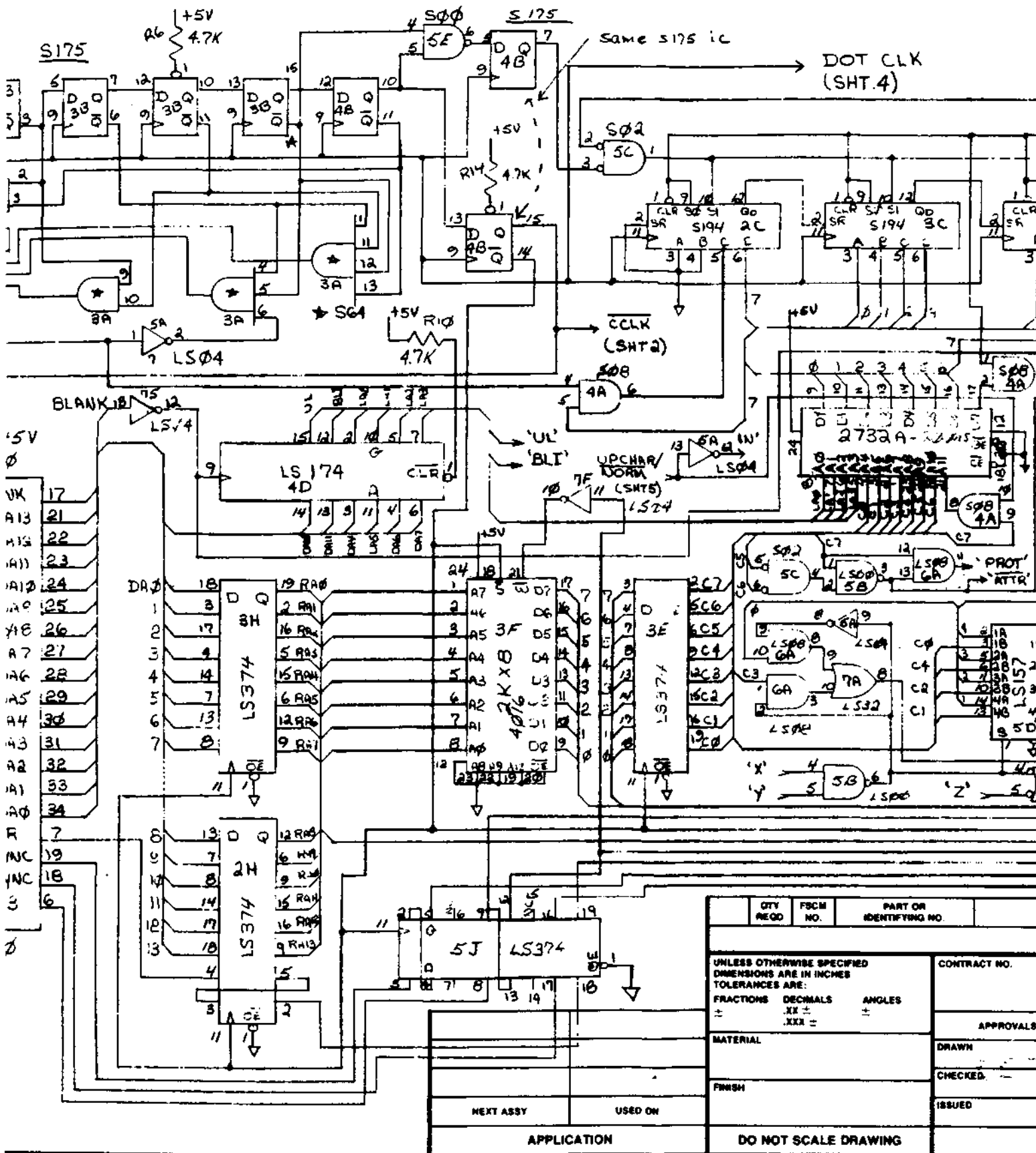
DO NOT SCALE DRAWING

SCALE

SHEET **01** of 7



Pin	Signal	Board Pin	Board Signal	Board Label
35	VTEP	35	U7	
4	BREQ	4	D4	
15	AD7	15	D5	
14	AD6	14	D4	
13	AD5	13	D5	
12	AD4	12	D4	
11	AD3	11	D3	
10	AD2	10	D2	
9	AD1	9	D1	
8	AD0	8	D0	
39	A0	39	A2	
38	A9	38	A1	
37	AB	37	A0	
2	PUTC	2	CE	
3	WR	3	WR	
1	RD	1	RD	
17	BLANK	17	7	
21	LL/DA13	21	19	HOR SYNC
22	DA12	22	18	VER SYNC
23	BLINK/DA11	23	6	CTL3
24	UL/DA10	24	7	CURSOR
25	UA9	25	13	DA3
26	DA8	26	12	DA2
27	LA3/UA7	27	11	DA1
28	LA2/DA6	28	10	DA0
29	LA1/DA5	29	9	DA3
30	LA0/DA4	30	8	DA2
31	DA3	31	7	DA1
32	DA2	32	6	DA0
33	DA1	33	5	DA3
34	DA0	34	4	DA2

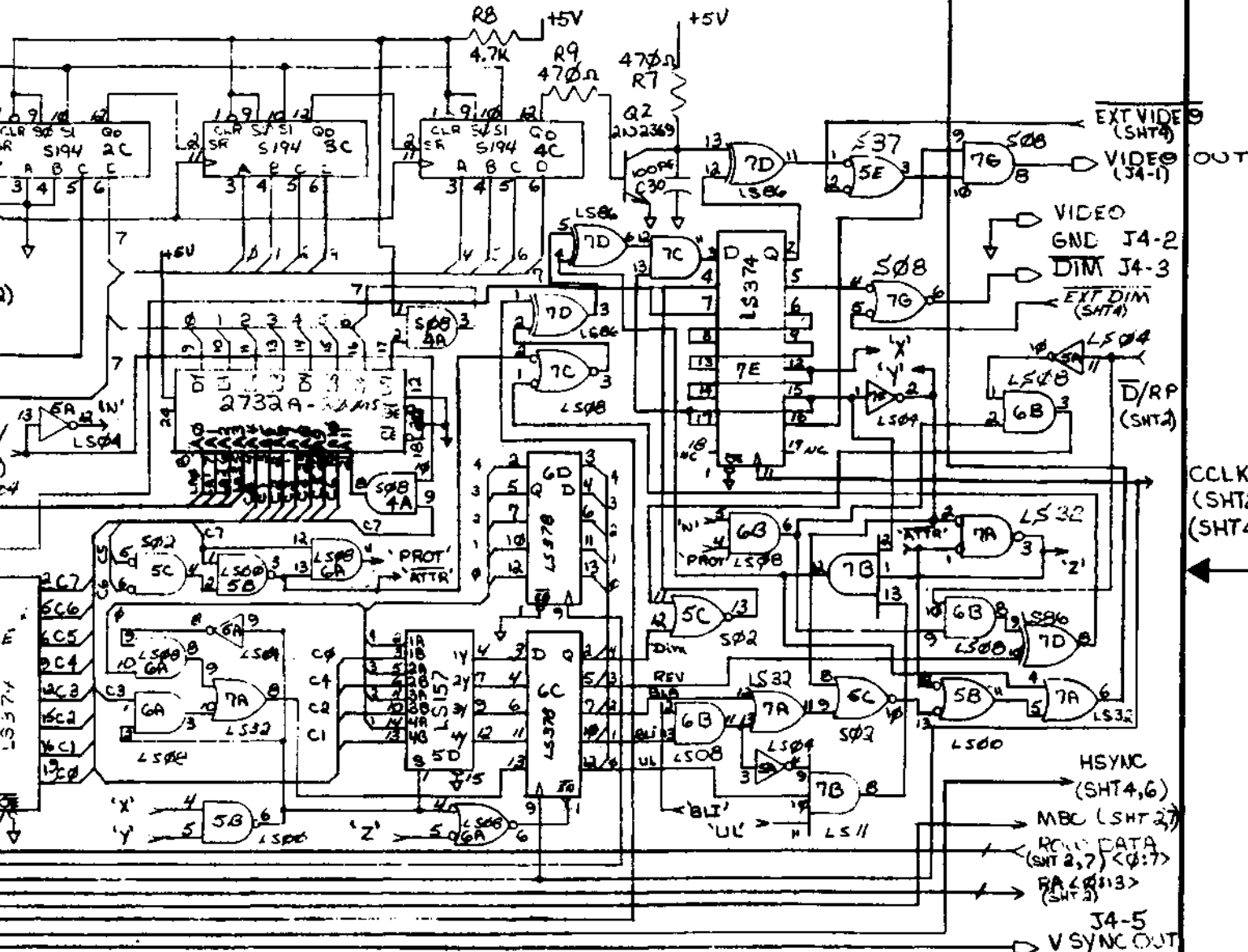


QTY REQD	FSCM NO.	PART OR IDENTIFYING NO.	CONTRACT NO.
UNLESS OTHERWISE SPECIFIED DIMENSIONS ARE IN INCHES TOLERANCES ARE: FRACTIONS DECIMALS ANGLES ± ± ±			APPROVALS
MATERIAL			DRAWN
FINISH			CHECKED
NEXT ASSY	USED ON	ISSUED	
APPLICATION			DO NOT SCALE DRAWING

DWG. NO. SH REV.

REVISIONS			
REV	DESCRIPTION	DATE	APPROVED

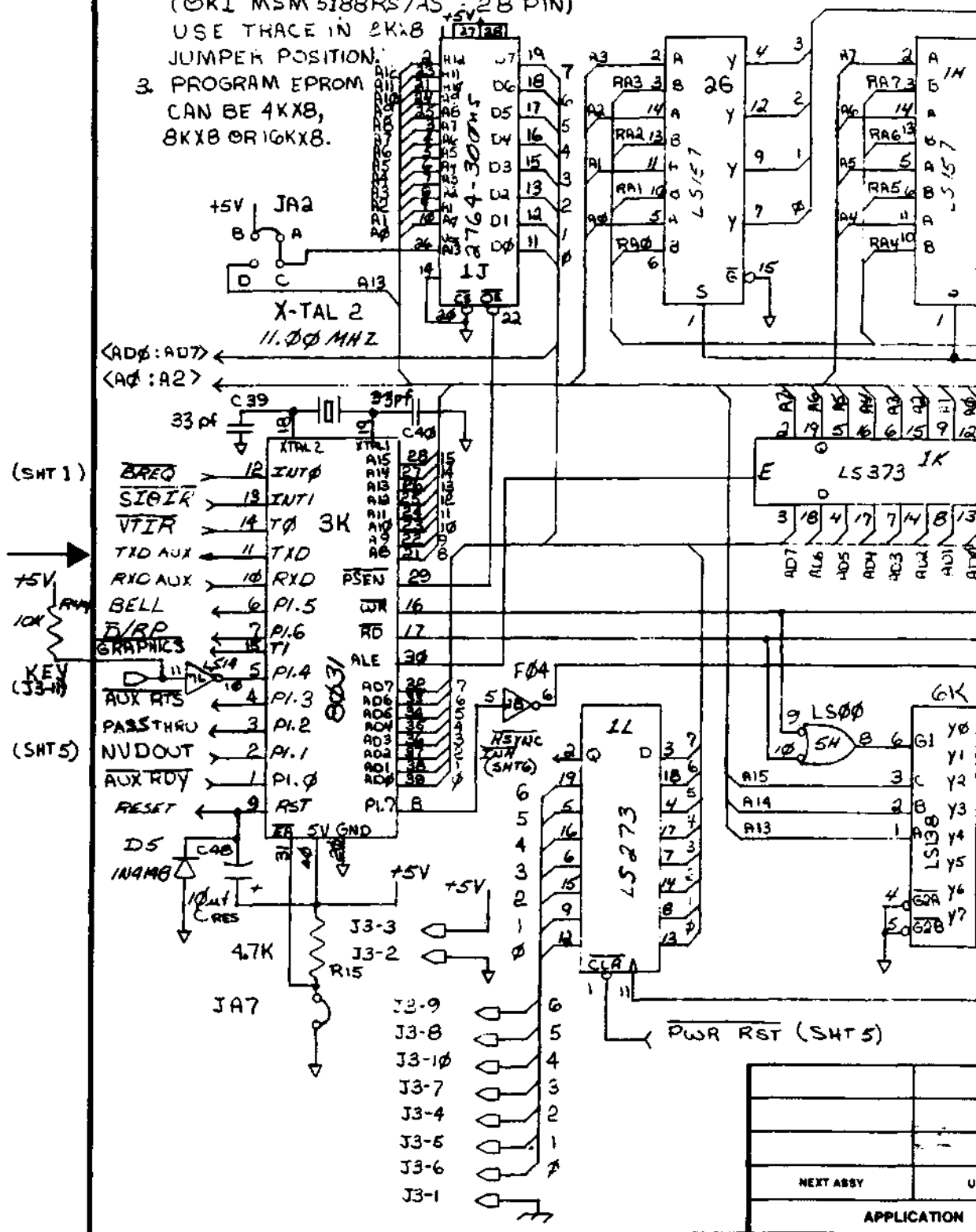
5175 ic
 → DOT CLK (SHT.4)



QTY REQD	FSCM NO.	PART OR IDENTIFYING NO.	NOMENCLATURE OR DESCRIPTION	MATERIAL SPECIFICATION
PARTS LIST				
UNLESS OTHERWISE SPECIFIED DIMENSIONS ARE IN INCHES TOLERANCES ARE:		CONTRACT NO.		
FRACTIONS ±	DECIMALS .XX ±	ANGLES ±		
	.XXX ±			
MATERIAL		APPROVALS	LOGIC BOARD, WY50	
FINISH		DATE		
DO NOT SCALE DRAWING		DRAWN		
		CHECKED	SIZE	FSCM NO.
		ISSUED	B	96-012-01
			DWG. NO.	REV.
			96-012-01	D3
			SCALE	SHEET 1 OF 7

NOTES :

1. 1/4 LS157 ONLY LOADED
W/ 8KXB RAM. NORMALLY OMITTED.
2. LAYOUT RAM AREA FOR 2KXB OR 8KXB
(OKI MSM 5188RS/AS - 28 PIN)
USE TRACE IN 2KXB
JUMPER POSITION.
3. PROGRAM EPROM
CAN BE 4KXB,
8KXB OR 16KXB.



NEXT ASSY	US
APPLICATION	

DWG. NO.

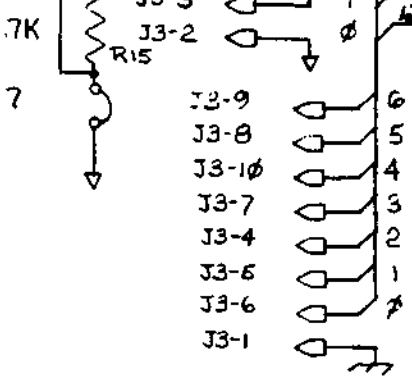
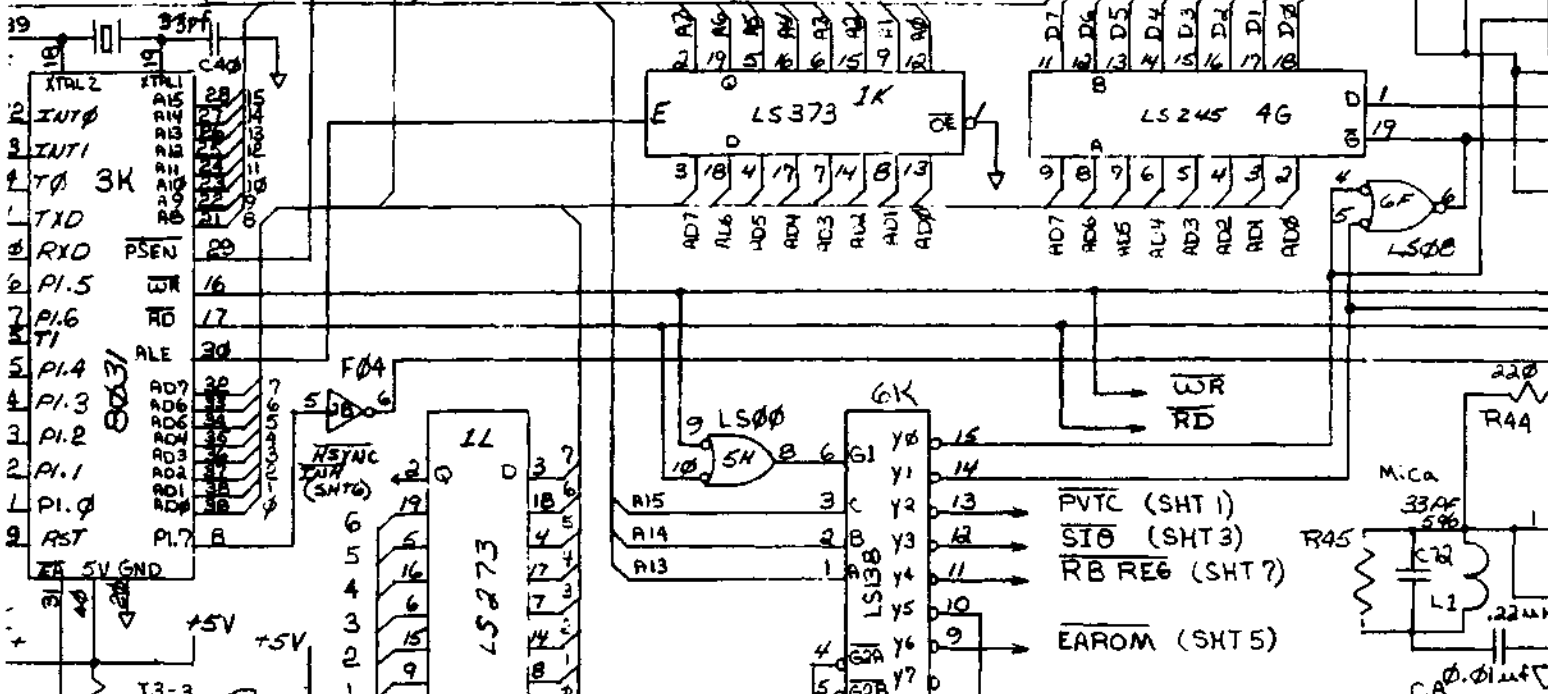
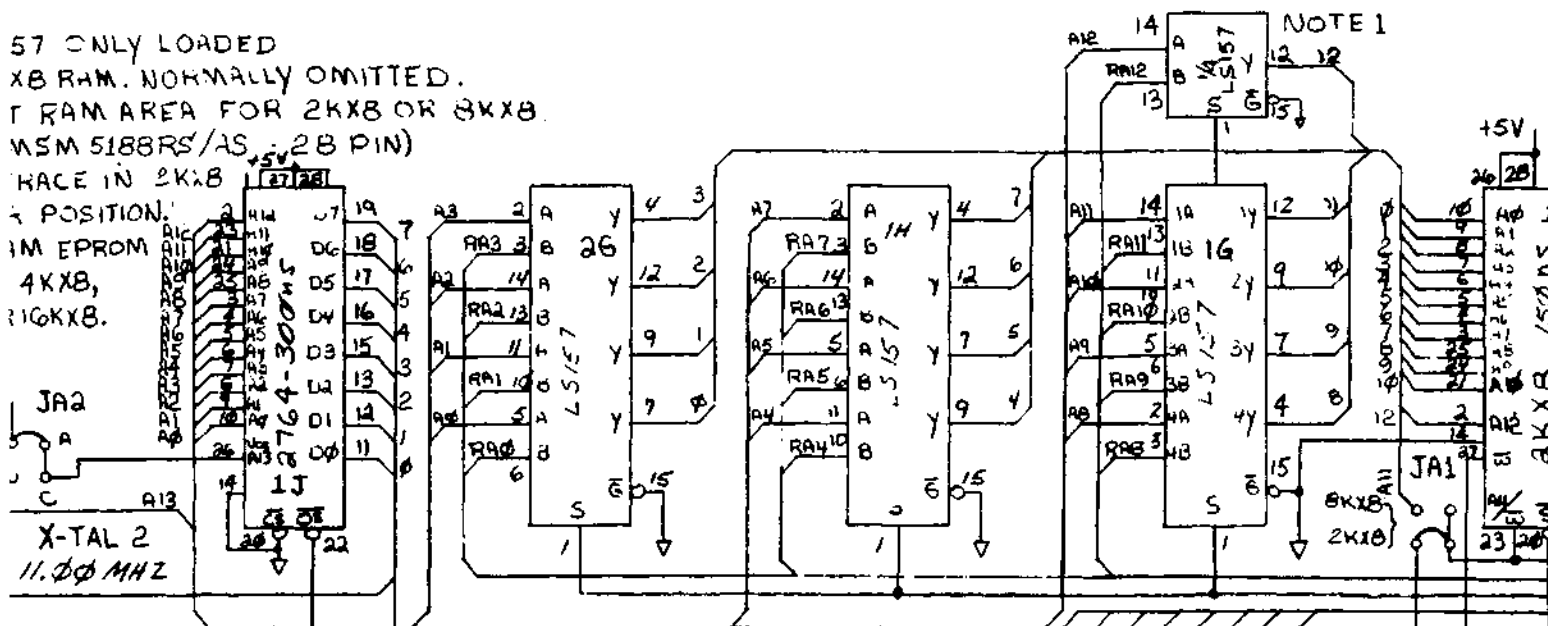
5H

NOTE 1

57 ONLY LOADED
 XB RAM. NORMALLY OMITTED.
 RAM AREA FOR 2KXB OR 8KXB.
 WSM 5188RS/AS (28 PIN)
 TRACE IN 2KXB

POSITION.
 1M EPROM
 4KXB,
 16KXB.

JAA
 X-TAL 2
 11.00 MHZ

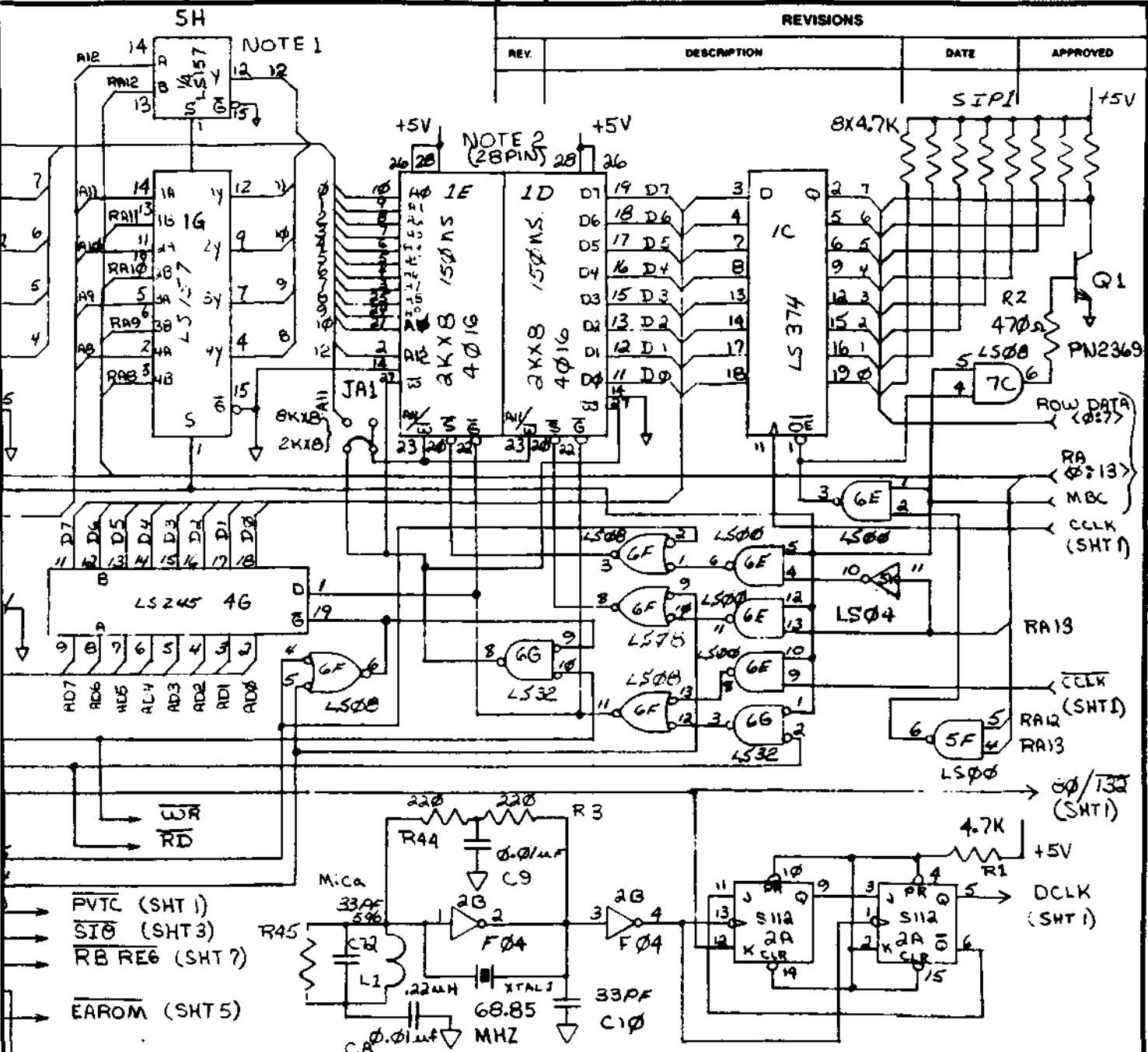


PWR RST (SHT 5)

QTY	FSCM	PART OR
REQD	NO.	IDENTIFYING NO.
UNLESS OTHERWISE SPECIFIED DIMENSIONS ARE IN INCHES TOLERANCES ARE:		
FRACTIONS	DECIMALS	ANGLES
±	.XX ±	°
	.XXX ±	
MATERIAL		CONTRACT NO.
FINISH		APPROVALS
NEXT ASSY		DRAWN
USED ON		CHECKED
APPLICATION		ISSUED
DO NOT SCALE DRAWING		

DWG. NO. SH REV.

REVISIONS			
REV.	DESCRIPTION	DATE	APPROVED

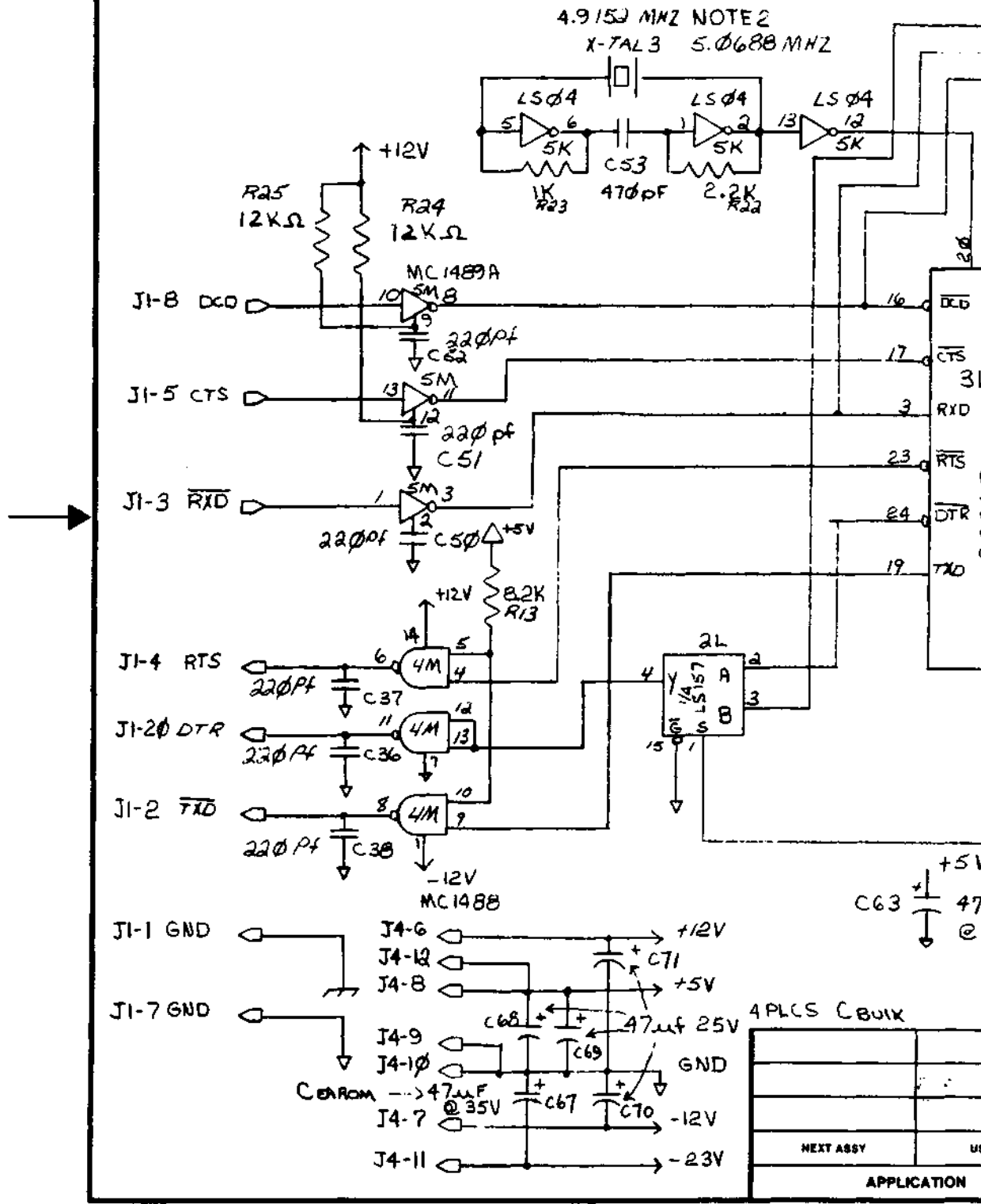


QTY REQD	FSCM NO.	PART OR IDENTIFYING NO.	NOMENCLATURE OR DESCRIPTION	MATERIAL SPECIFICATION	
PARTS LIST					
UNLESS OTHERWISE SPECIFIED DIMENSIONS ARE IN INCHES TOLERANCES ARE:		CONTRACT NO.			
FRACTIONS ±	DECIMALS .XX ±	ANGLES ±	 WYSE TECHNOLOGY LOGIC BOARD, WY50		
MATERIAL	APPROVALS	DATE			
FINISH	CHECKED	ISSUED			
DO NOT SCALE DRAWING	SCALE	SIZE B			FSCM NO.
SHEET 2 OF 7					

NOTES:

1. MOUNT LEL NEAR PCB EDGE.
2. FOR ZERO ERROR AT 19.2K BAUD.
SUBSTITUTE 2461B & 4.9152 MHZ X-TAL.
MAX BAUD RATE WILL BECOME 38400.
3. LS157 : COMMON

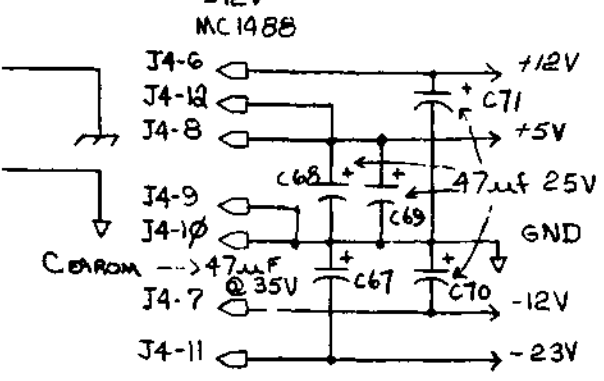
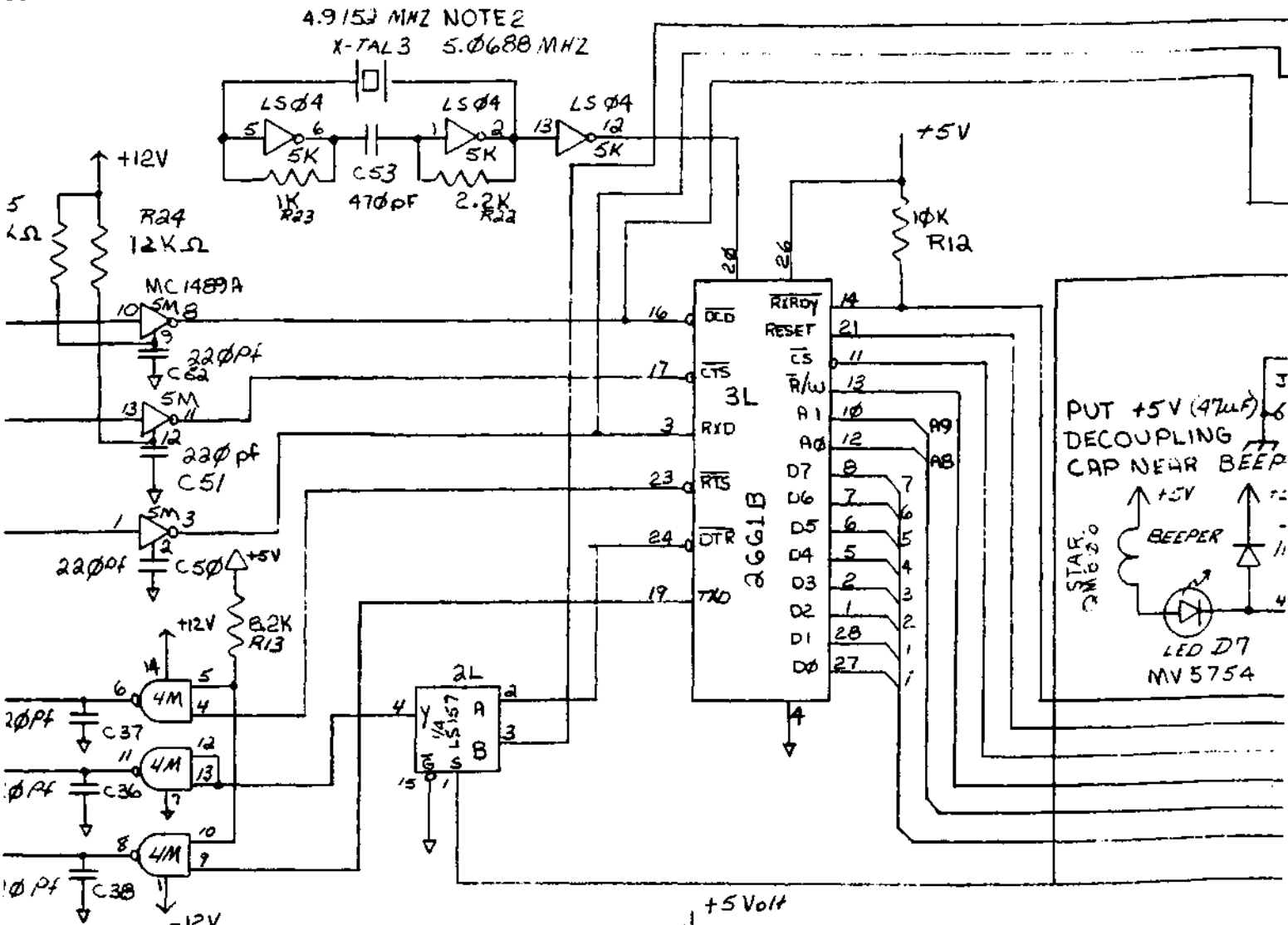
J1:
J2:



LINEAR PLE EDGE.
 ERROR AT 17217 BAUD.
 RATE 26618 & 4.9152 MHZ X-TAL.
 RATE WILL BECOME 38400.
 COMMON

J1: 25 Pin D MODEM PORT

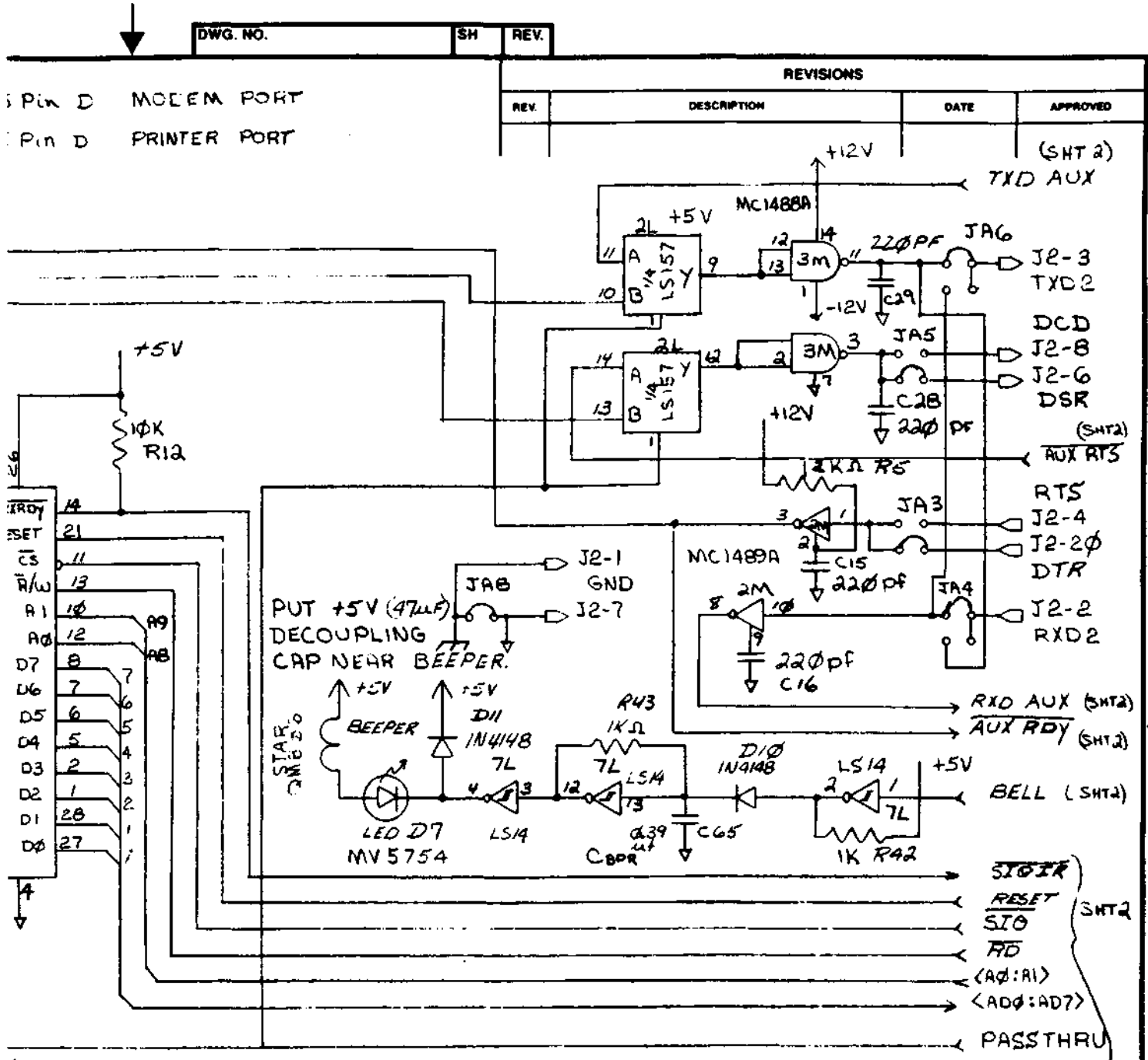
J2: 25 Pin D PRINTER PORT



4PLCS CBUK

QTY	FSCM	PART OR IDENTIFYING NO.
REQD	NO.	
UNLESS OTHERWISE SPECIFIED DIMENSIONS ARE IN INCHES TOLERANCES ARE:		
FRACTIONS	DECIMALS	ANGLES
±	.XX ±	±
MATERIAL		
FINISH		
NEXT ASSY	USED ON	
APPLICATION		

QTY	FSCM	PART OR IDENTIFYING NO.	CONTRACT NO.
REQD	NO.		
UNLESS OTHERWISE SPECIFIED DIMENSIONS ARE IN INCHES TOLERANCES ARE:			APPROVALS
FRACTIONS	DECIMALS	ANGLES	
±	.XX ±	±	
MATERIAL			DRAWN
FINISH			CHECKED
APPLICATION			ISSUED
DO NOT SCALE DRAWING			



QTY REQD	FSCM NO.	PART OR IDENTIFYING NO.	NOMENCLATURE OR DESCRIPTION	MATERIAL SPECIFICATION
PARTS LIST				
UNLESS OTHERWISE SPECIFIED DIMENSIONS ARE IN INCHES TOLERANCES ARE:		CONTRACT NO.		
FRACTIONS	DECIMALS	ANGLES	 WYSE TECHNOLOGY	
±	.XX ±	±		
MATERIAL		APPROVALS	DATE	LOGIC BOARD, WY-50
FINISH		DRAWN		
DO NOT SCALE DRAWING		CHECKED		
		ISSUED		SIZE B FSCM NO. DWG. NO. 96-02-01 REV. D3
				SCALE SHEET 3 of 7

NOTES :

1. HSYNC-, VSYNC-, Require RS232C Receivers.
2. DIM- & VIDEO- Require 537 Drivers.
3. VIDEO- (J1-18) corresponds to Green-output on RGB Graphics controller. Red-(J1-11) & Blue-(J1-19) are not used on wy-50.
4. Red-, Green-, Blue- require 537 Driver. Both transmit (receive ends of Blue-(J1-19) require diode clamps

DOT CLK (SHT 1)

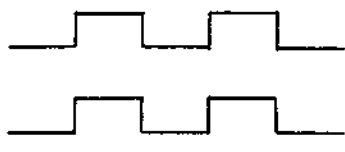
GRAPHICS



(SHT 1) HSYNC

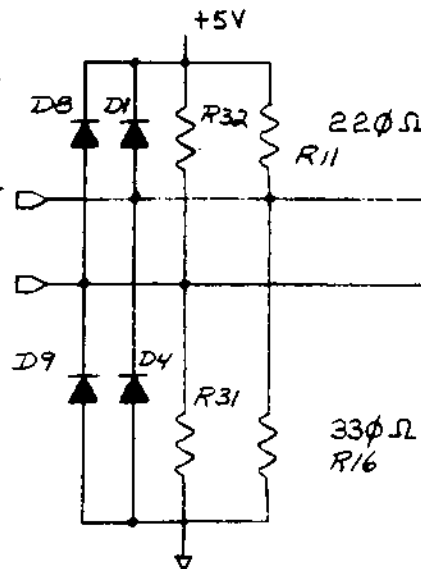
(SHT 1) VSYNC OUT

OFF ↑
ON ↓
NORM ↑
DIM ↓



IN4002 4 PLCS

EXT VIDEO- (J1-18)
EXT DIM- (J1-25)



NEXT ASSY	UI
APPLICATION	

, VSYNC-, Require
 Receivers.
 VIDEO- Require
 ivers.
 (J1-18) corresponds
 en-output on RGB
 S controller.
 (J1-11) & BLUE-(J1-19)
 - used on wy-5φ.
 Green-, Blue- require
 river. Both transmit
 e ends of Blue-(J1-19)
 diode clamps

(SHT 1)

(SHT 1)

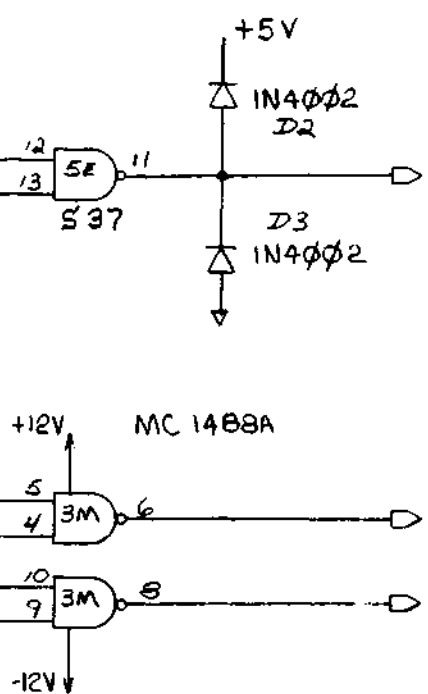
DOT CLK
(SHT 1)

GRAPHICS
(SHT 2)

H SYNC

V SYNC OUT

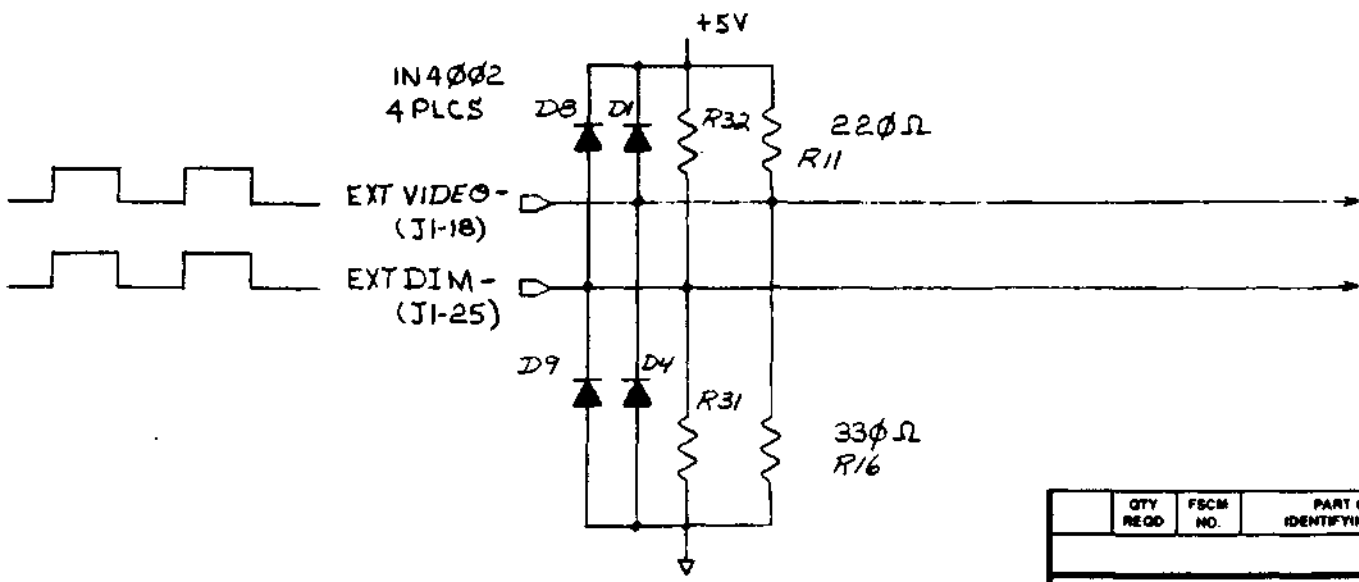
LS04
5K



DOT
OUT -
(J1-9)

H SYNC
(J1-11)

V SYNC
(J1-19)



EXT VID

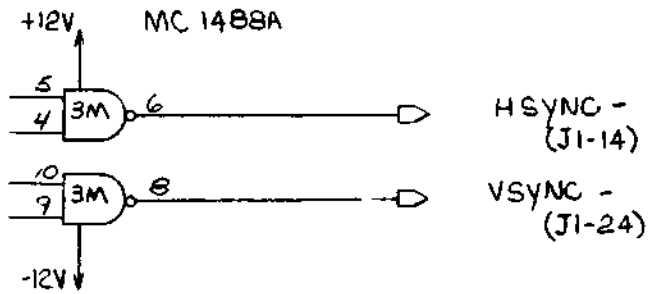
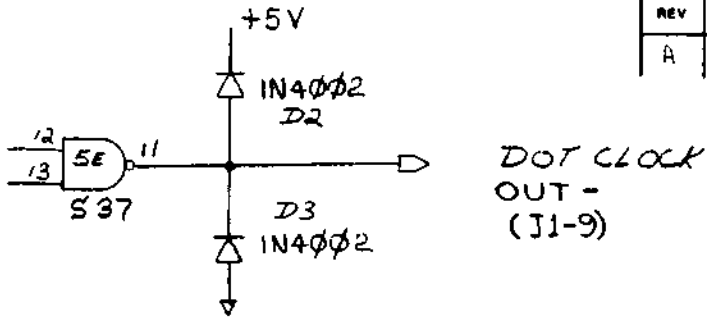
EXT DIM

QTY REQD	FSCM NO.	PART OR IDENTIFYING NO.	CONTRACT NO.
UNLESS OTHERWISE SPECIFIED DIMENSIONS ARE IN INCHES TOLERANCES ARE:			APPROVALS
FRACTIONS	DECIMALS	ANGLES	
±	.XX ±	±	
MATERIAL			DRAWN
FINISH			CHECKED
NEXT ASSY	USED ON	ISSUED	
APPLICATION			DO NOT SCALE DRAWING

DWG. NO. SH REV.

REVISIONS

REV	DESCRIPTION	DATE	APPROVED
A	Removed Blank CLK. Added 1488 drivers.	1-26-89	11. Bell

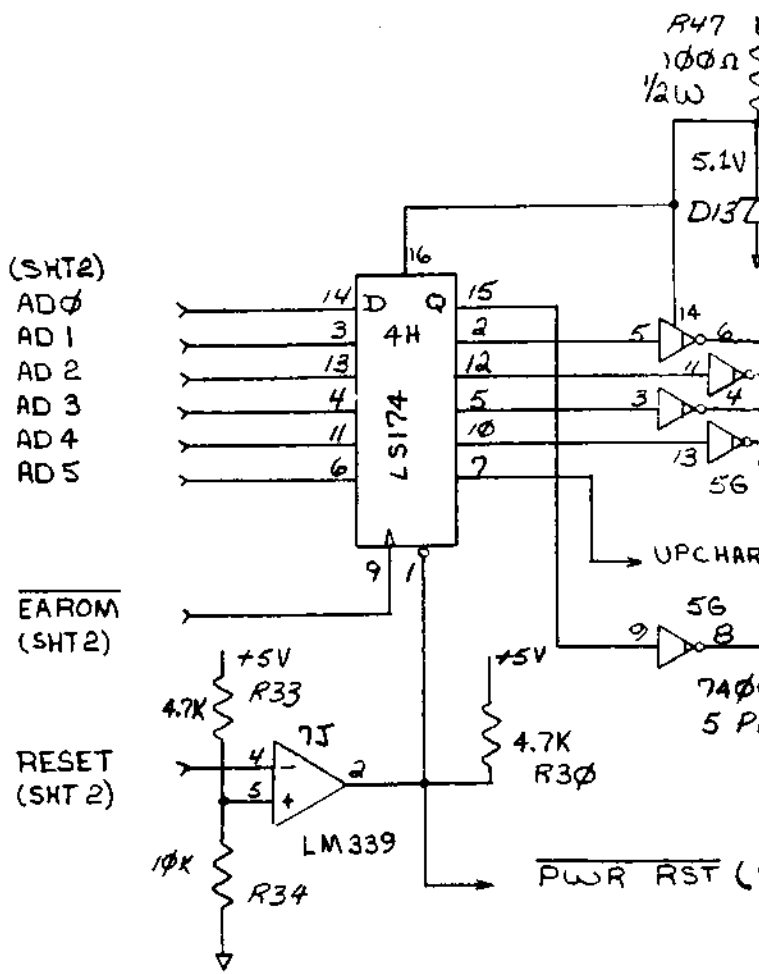
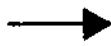


EXT VIDEO (SHT1)

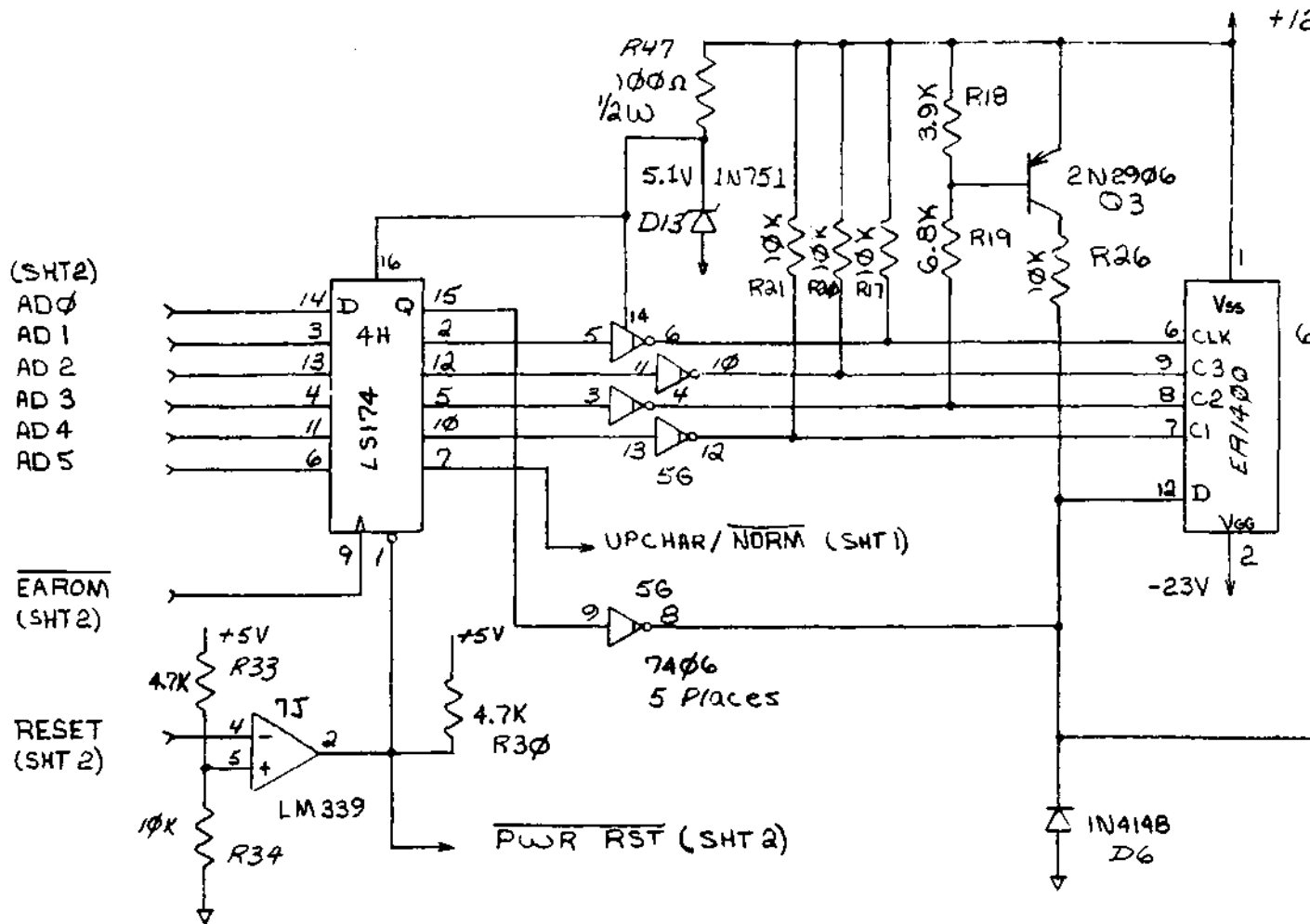
EXT DIM (SHT1)

GRAPHICS
INTERFACE

QTY REQD	FSCM NO.	PART OR IDENTIFYING NO.	NOMENCLATURE OR DESCRIPTION	MATERIAL SPECIFICATION
PARTS LIST				
UNLESS OTHERWISE SPECIFIED DIMENSIONS ARE IN INCHES TOLERANCES ARE: FRACTIONS DECIMALS ANGLES ± .XX ± ±		WYSE TECHNOLOGY LOGIC BOARD, W50		
MATERIAL		CONTRACT NO.	APPROVALS	DATE
FINISH		DRAWN	CHECKED	ISSUED
DO NOT SCALE DRAWING		SIZE B	FSCM NO.	DWG. NO. 96-012-01
		SCALE	REV. D3	
		SHEET 4 OF 7		



NEXT ASSY	U
APPLICATION	

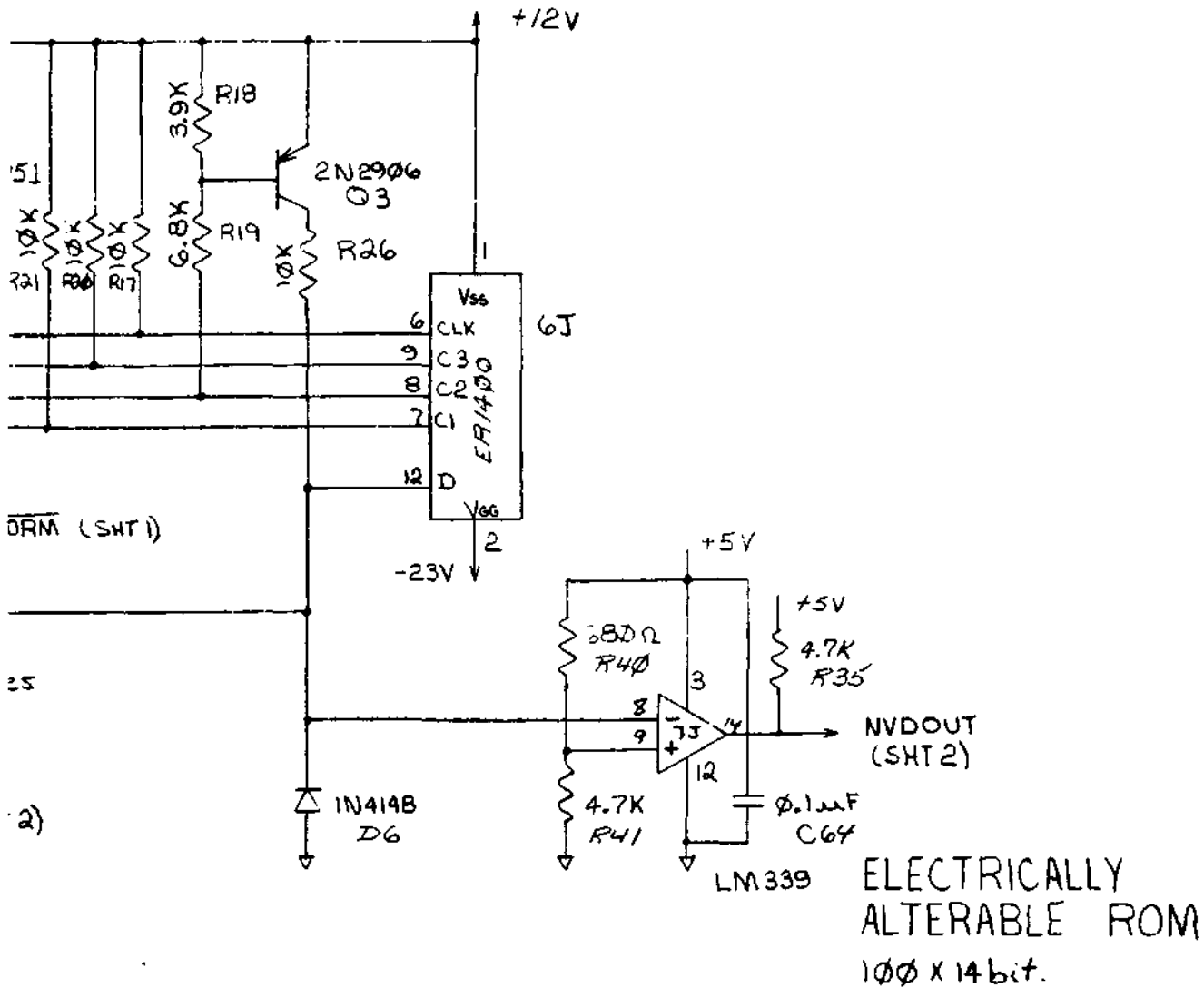


QTY REQD	FSCM NO.	PART OR IDENTIFYING NO.	CONTRACT NO.
UNLESS OTHERWISE SPECIFIED DIMENSIONS ARE IN INCHES TOLERANCES ARE:			APPROVALS
FRACTIONS ±	DECIMALS XX ± .XXX ±	ANGLES ±	
MATERIAL			DRAWN
FINISH			CHECKED
NEXT ASSY	USED ON	ISSUED	
APPLICATION			DO NOT SCALE DRAWING

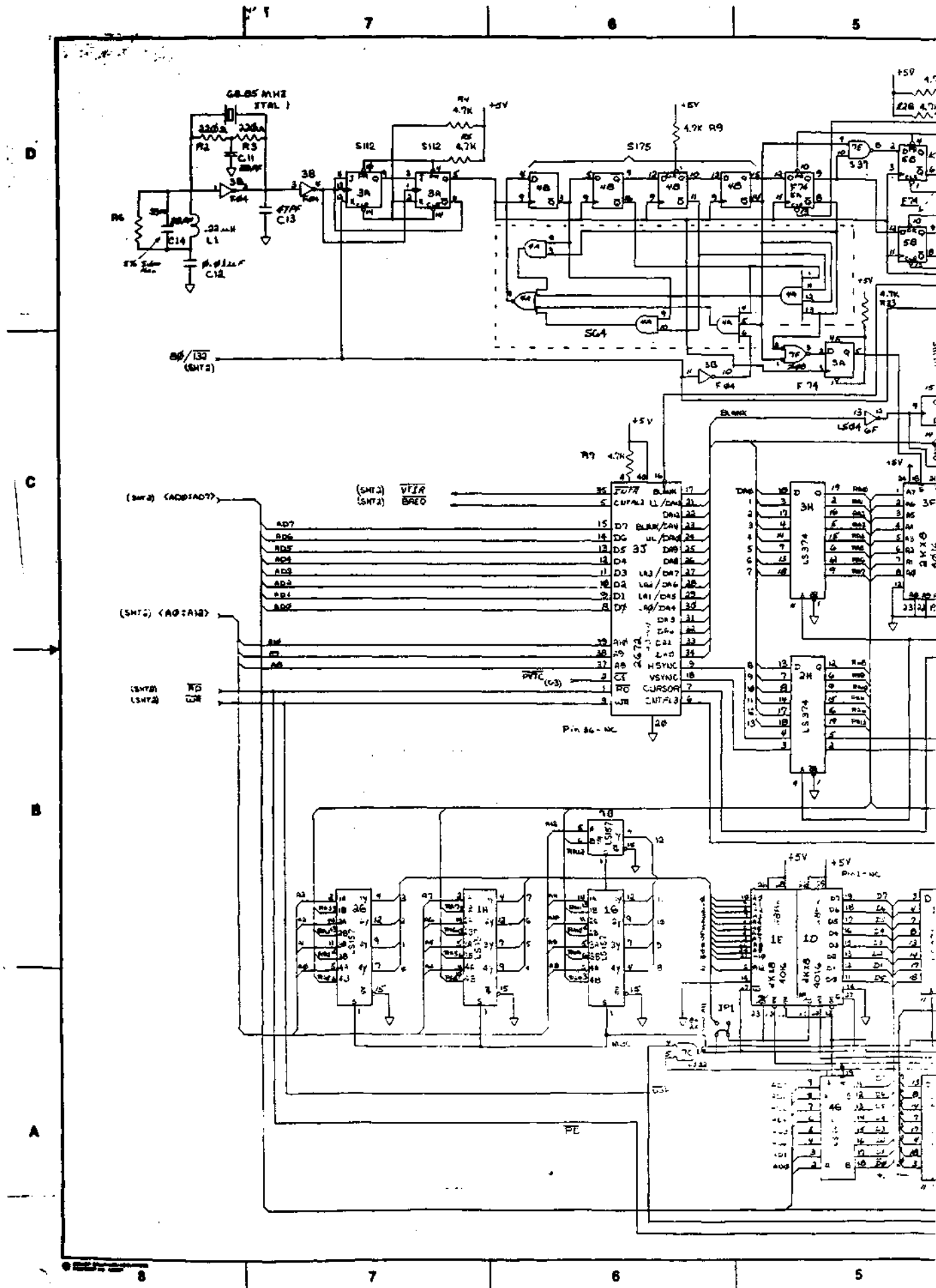
DWG. NO. SH REV.

REVISIONS

REV.	DESCRIPTION	DATE	APPROVED



QTY REQD	FSCM NO.	PART OR IDENTIFYING NO.	NOMENCLATURE OR DESCRIPTION	MATERIAL SPECIFICATION
PARTS LIST				
UNLESS OTHERWISE SPECIFIED DIMENSIONS ARE IN INCHES TOLERANCES ARE: FRACTIONS DECIMALS ANGLES ± .XX ± ±		CONTRACT NO.		
MATERIAL		APPROVALS	DATE	
FINISH		DRAWN	CHECKED	
DO NOT SCALE DRAWING		ISSUED	SCALE	
		WYSE TECHNOLOGY		
		LOGIC BOARD, WY50		
SIZE	FSCM NO.	DWG. NO.	REV.	
B		96-012-01	D3	
		SHEET		50F 7

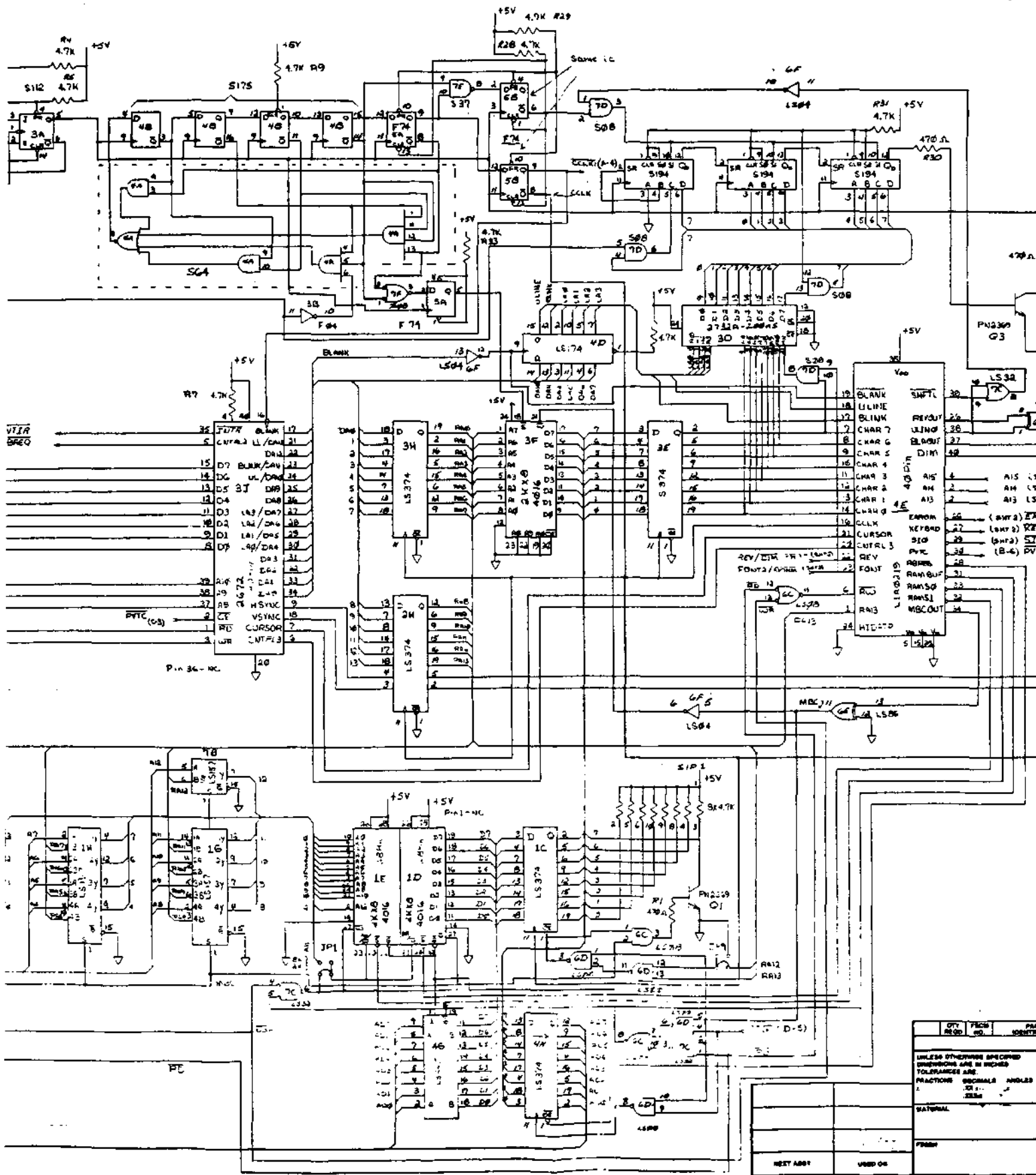


D

C

B

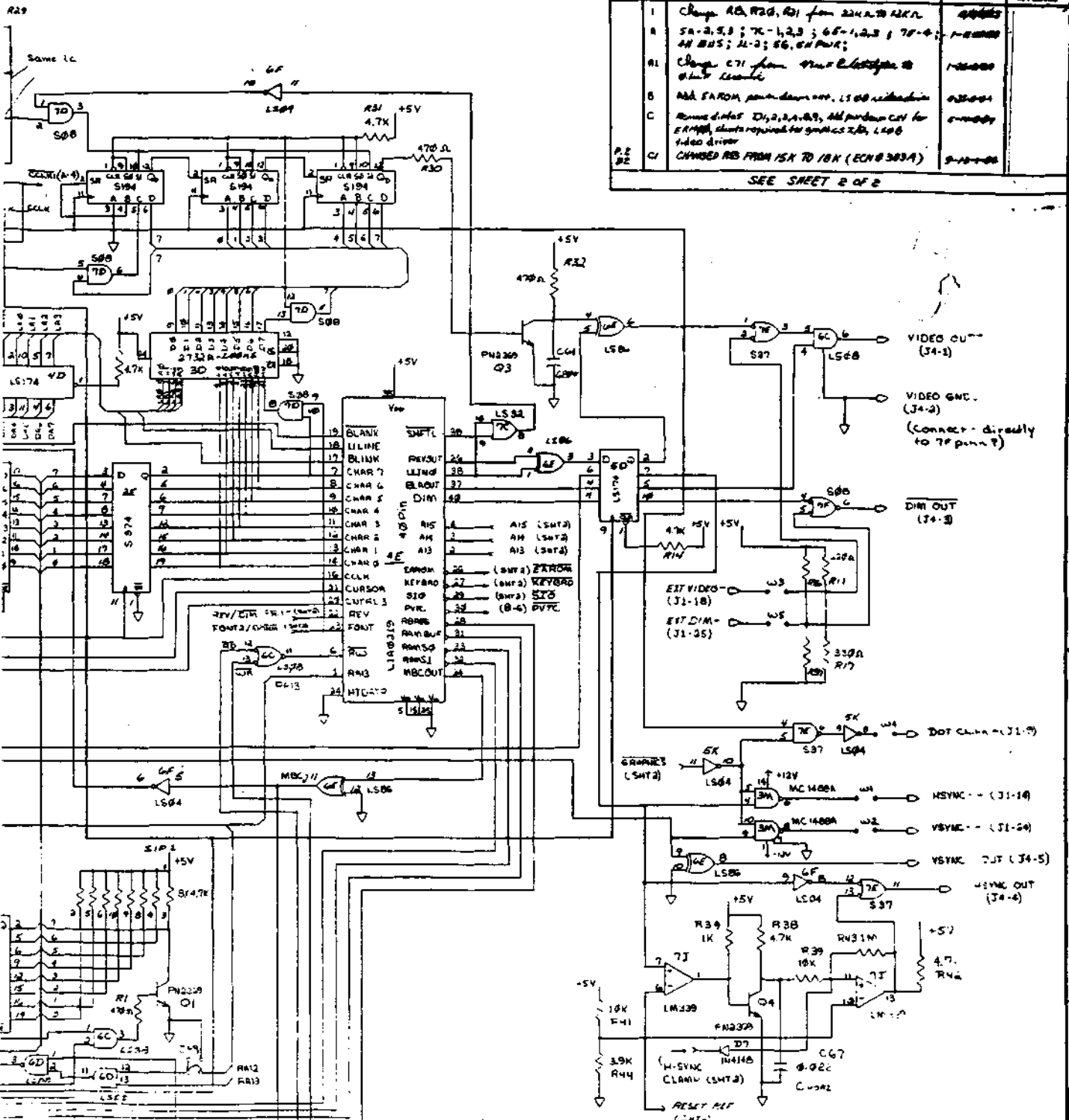
A



QTY	PKT	REF	NO.	VAL	UNIT
UNLESS OTHERWISE SPECIFIED DIMENSIONS ARE IN INCHES TOLERANCES ARE:					
FRACTIONS	DECIMALS	ANGLES			
	±0.005	±0.010			
MATERIAL					
FINISH					
NEXT ASSY					
USED ON					
APPLICATION					
DO NOT SCALE DRAWING					

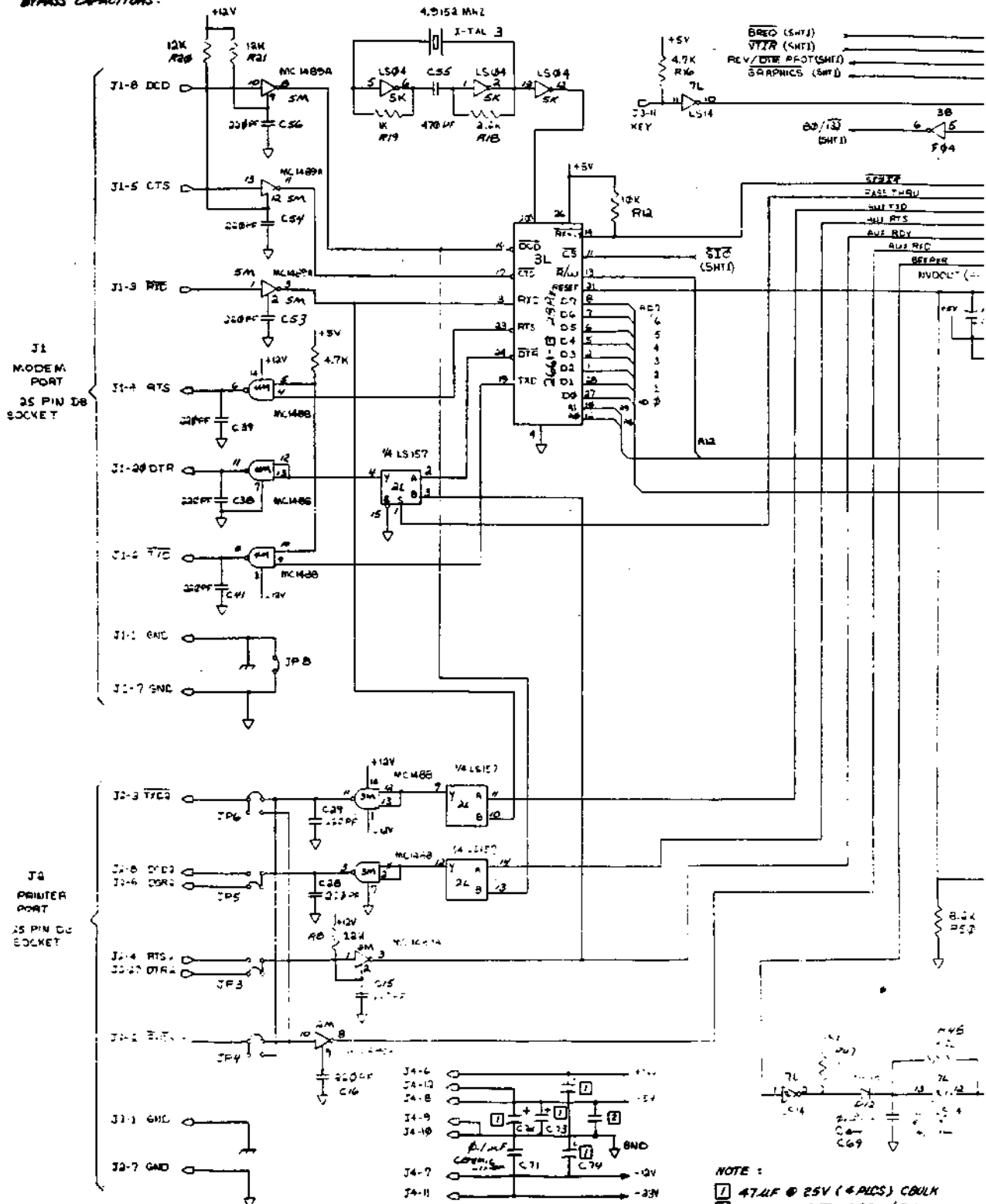
REV	DESCRIPTION	DATE	BY
1	Change R20, R20, R21 from 22K to 15K	4/10/83	WJ
A	5A-2, 5B; 7K-1, 2, 3; 6F-1, 2, 3; 7F-4; 4H BUS; 4L-3; 5G, 5H PAIR;	1-10-83	WJ
B1	Change C71 from 100K to 100K	1-10-83	WJ
B	ADD FANON pull-down on LS00 inhibition	4/20/84	WJ
C	Remove diodes D1, 2, 3, 4, 5, 6. Add pull-down on C4 for EXAMP. diode required for synchro 2, 3, 4, 5, 6 video driver	6/10/84	WJ
C1	CHANGED RES FROM 15K TO 10K (EQU# 303A)	9-10-84	WJ

SEE SHEET 2 OF 2



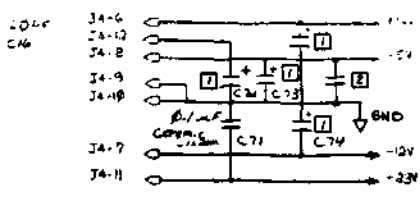
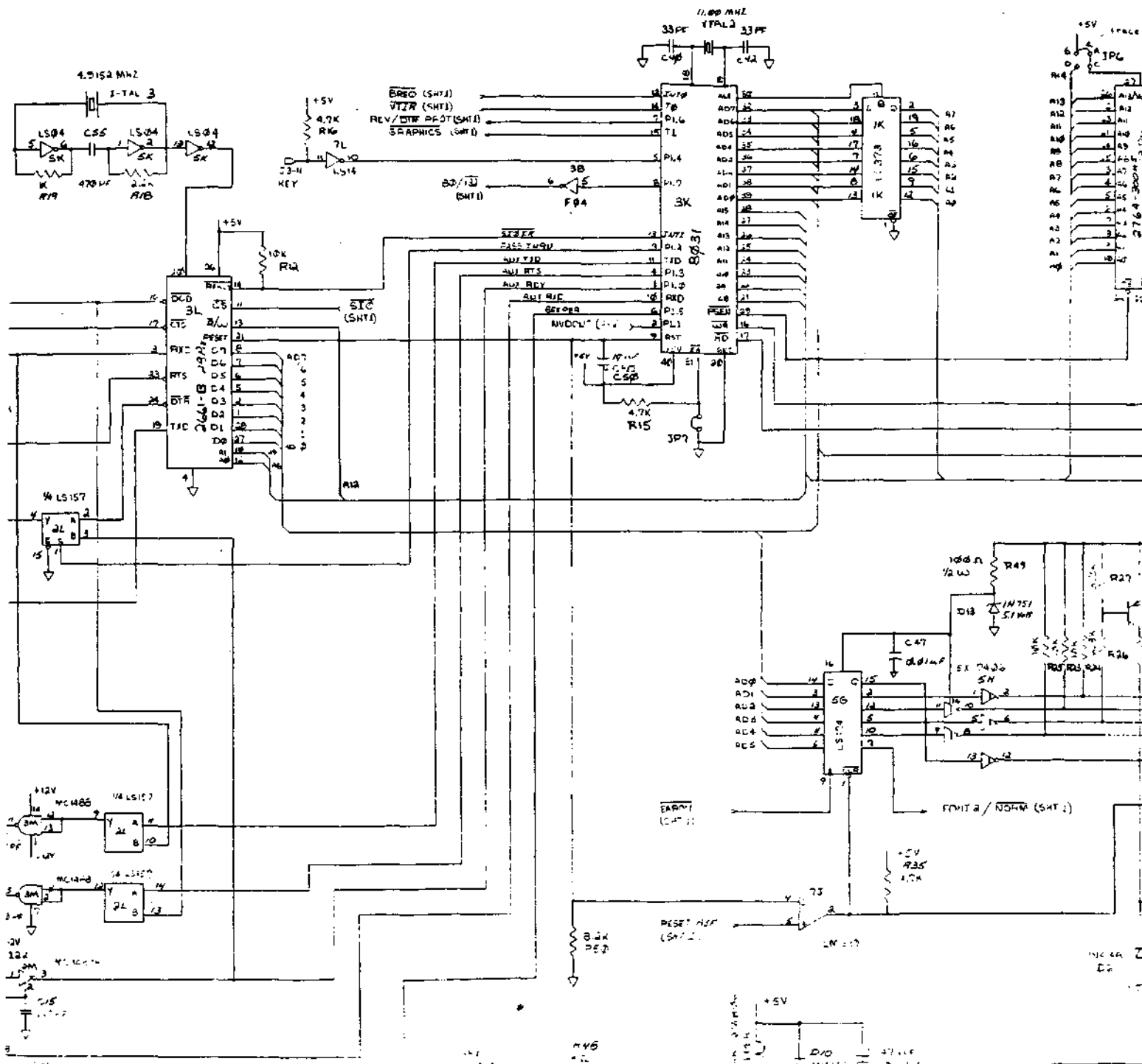
UNLESS OTHERWISE SPECIFIED DIMENSIONS ARE IN INCHES TOLERANCES ARE FRACTIONS DECIMALS MILLIS	CONTRACT NO.	WYSE TECHNOLOGY
MATERIAL	APPROVALS	DATE
FINISH	DATE	5/1/83
APPLICATION	DO NOT SCALE DRAWING	7/30/89
SCALE	REV	PROJ NO. 96-018-01
SCALE	REV	DATE 1/9/83

1. MOUNT LED NEAR PCB EDGE
2. LS157 - COMMON
3. ALL JUMPER (JP) 0.1" SPACING.
4. TRACE ON SOLDER SIDE.
5. ALL IC'S EXCEPT U9, U10, U17, U30, U31, U37, U41, U42 AND U43 HAVE INDIVIDUAL 0.1µF BYPASS CAPACITORS.



NOTE:

- 1 47µF @ 25V (4 PADS) COILK
- 2 C21, C57, C59 0.22µ/50V
- 3 C66 0.01µ/50V

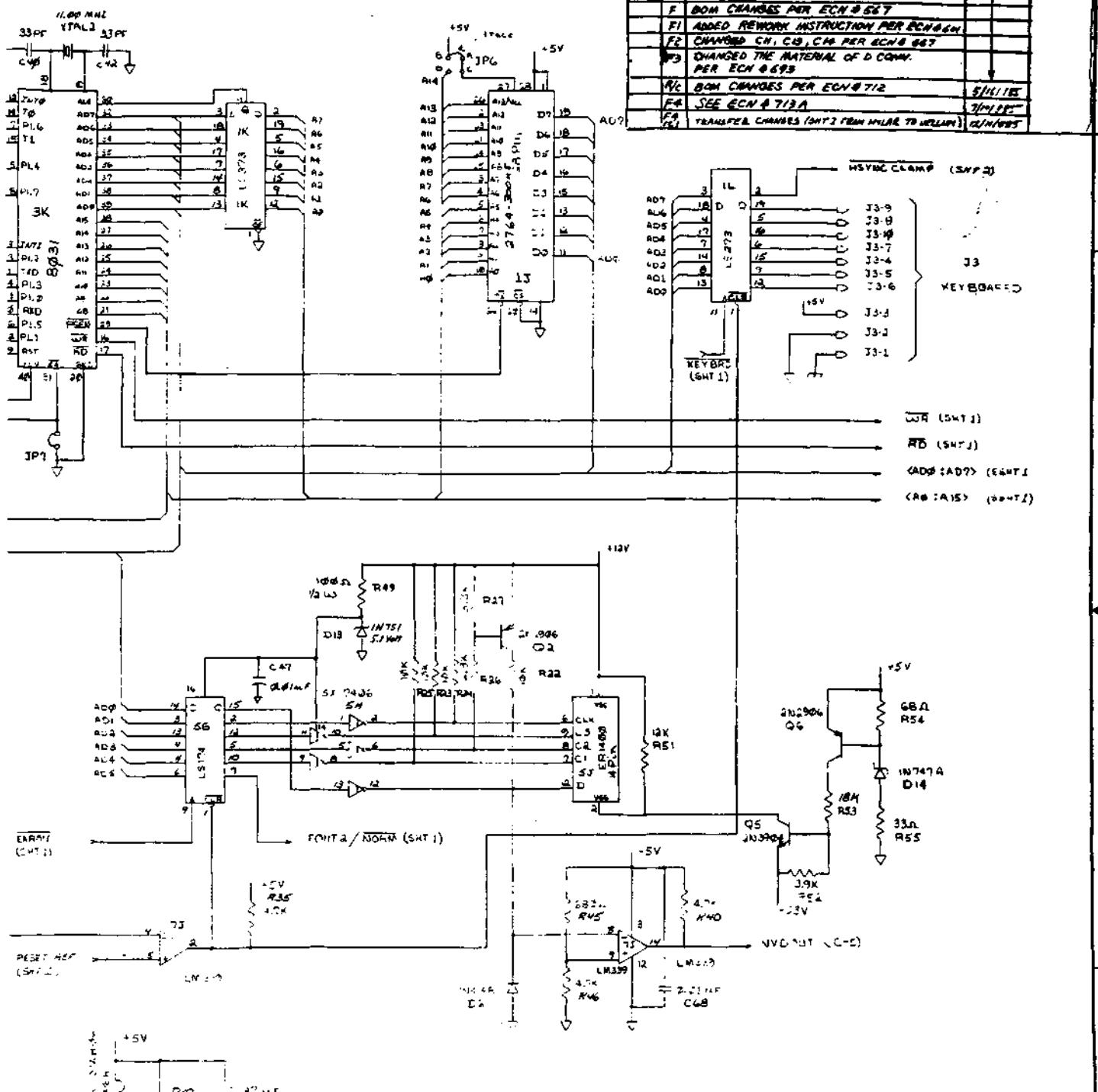


NOTE:
 1 47µF @ 25V (4 PDS) BULK
 2 C21, C57, C59 0.22µF/50V
 C66 0.01µF/50V

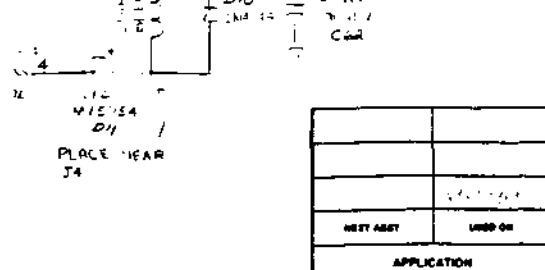
QTY	FROM
REQD.	NO.
UNLESS OTHERWISE SHOWN DIMENSIONS ARE IN INCHES TOLERANCES ARE AS SHOWN	
MATERIAL	
FINISH	
NEXT ASST	USED ON
APPLICATION	
DO NOT SCALE	

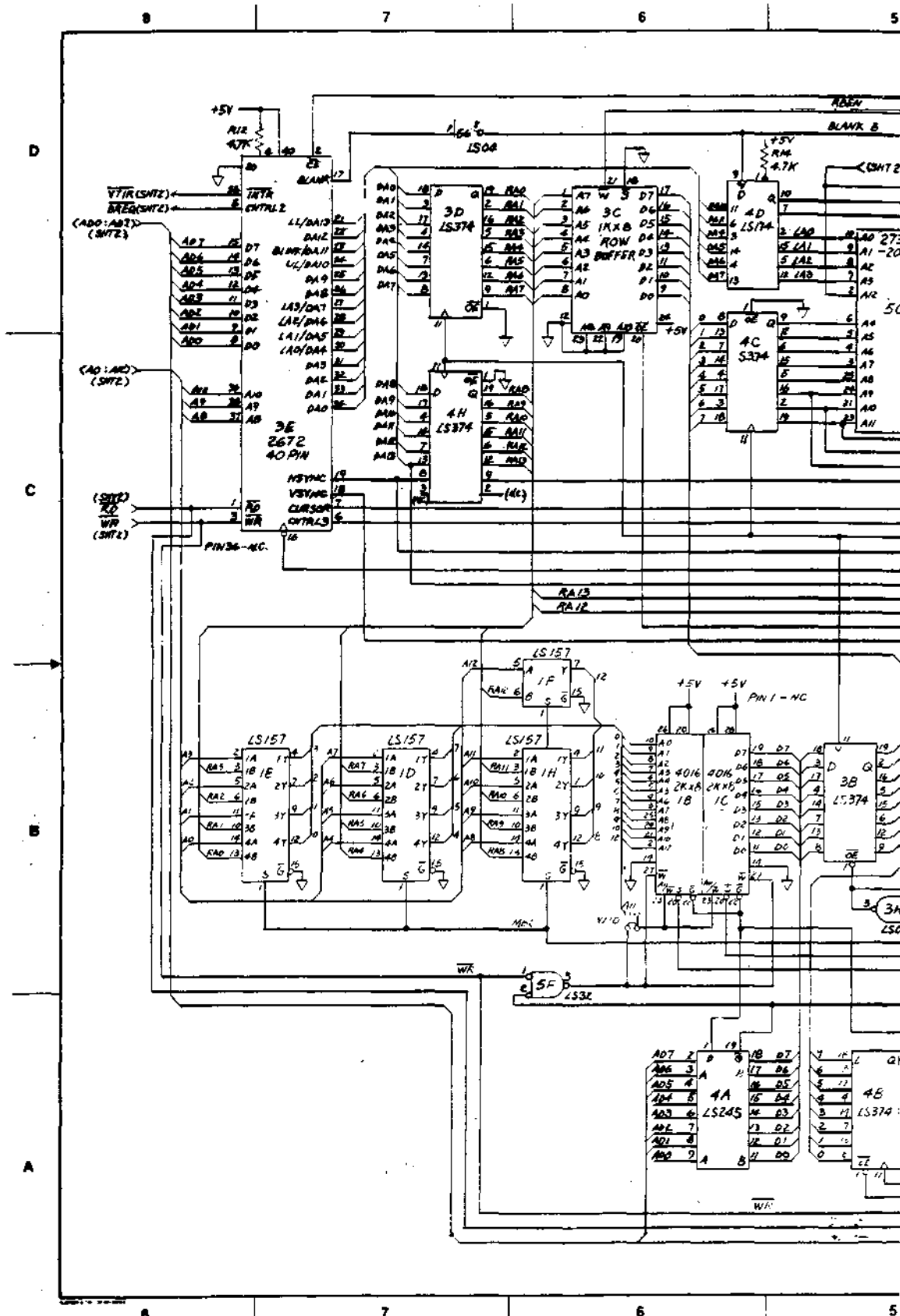
96-018-01

ISSUE	REV	DESCRIPTION	DATE	APPROVED
A	1	CHANGED C21, C57, C59, C66 PER ECN # 447	6/11/85	
	D	CONNECTION LEVEL PER ECN # 563		
	E	BOM CHANGES PER ECN # 566		
	F	BOM CHANGES PER ECN # 567		
	F1	ADDED REWORK INSTRUCTION PER ECN # 568		
	F2	CHANGED CN, C18, C19 PER ECN # 567		
	F3	CHANGED THE MATERIAL OF D CONV. PER ECN # 573		
	F4	BOM CHANGES PER ECN # 712	5/11/85	
	F5	SEE ECN # 713A	7/11/85	
	F6	TRANSFER CHANGES (INT 2) FROM INLAR TO INLLAR	12/11/85	



OFF PLAN NO.	PCH NO.	PART OR IDENTIFICATION NO.	DESCRIPTION OR IDENTIFICATION	NATIONAL SPECIFICATION
PARTS LIST				
UNLESS OTHERWISE SPECIFIED DIMENSIONS ARE IN INCHES TOLERANCES ARE: FRACTIONS DECIMALS ANGLES .XX .01 .XX .1			CONTRACT NO.	
GENERAL			APPROVALS	
FINISH			DATE	
NEXT ASST.			ISSUED	
APPLICATION			SCALE	
DO NOT SCALE DRAWING			WYSE TECHNOLOGY	
			LOGIC BOARD, WY50/75 GATE ARRAY VERSION	
REV			PCH NO.	
D			96-018-01	
SCALE			SHEET 3 OF 3	





D

C

B

A

9

7

6

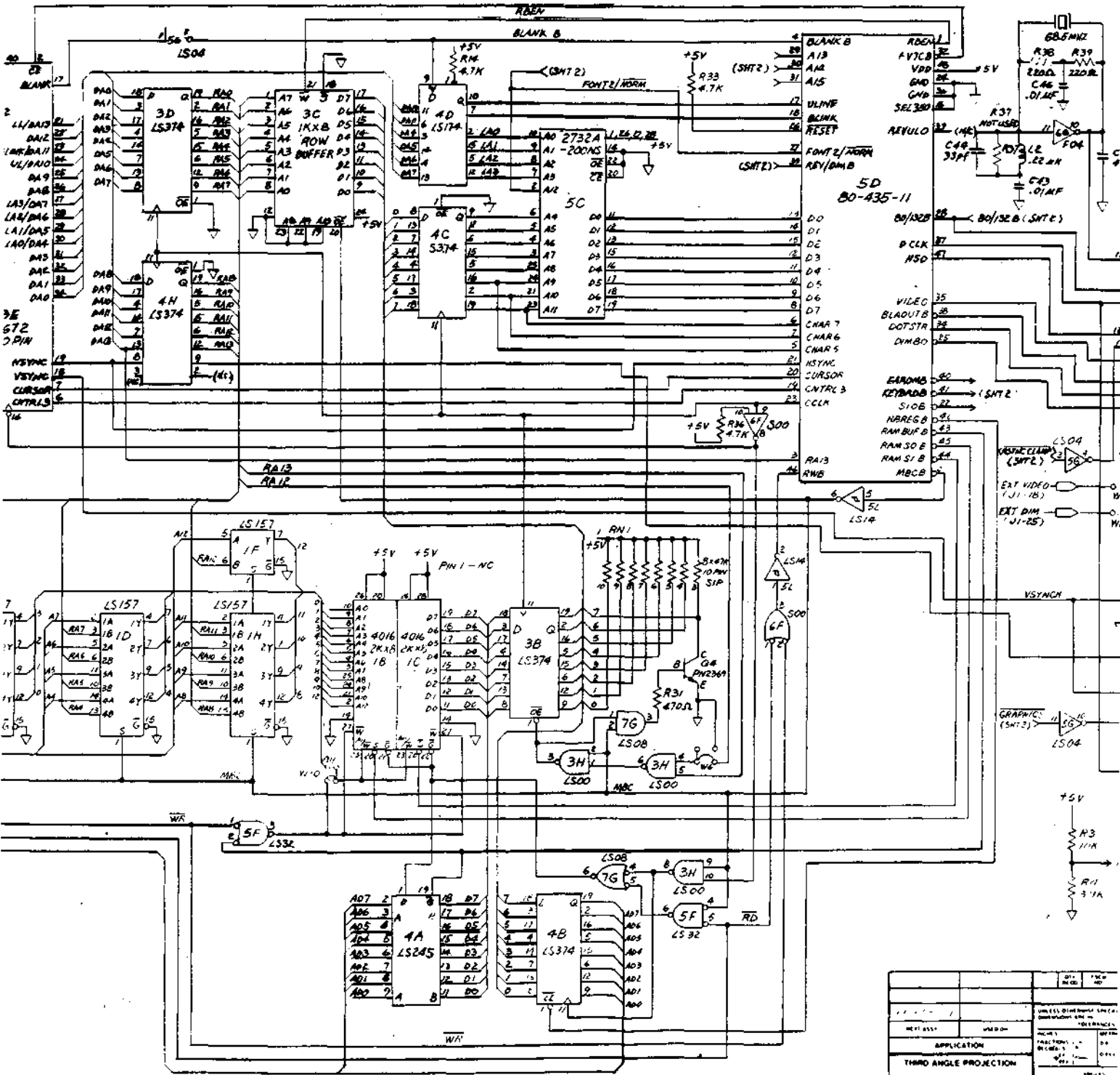
5

8

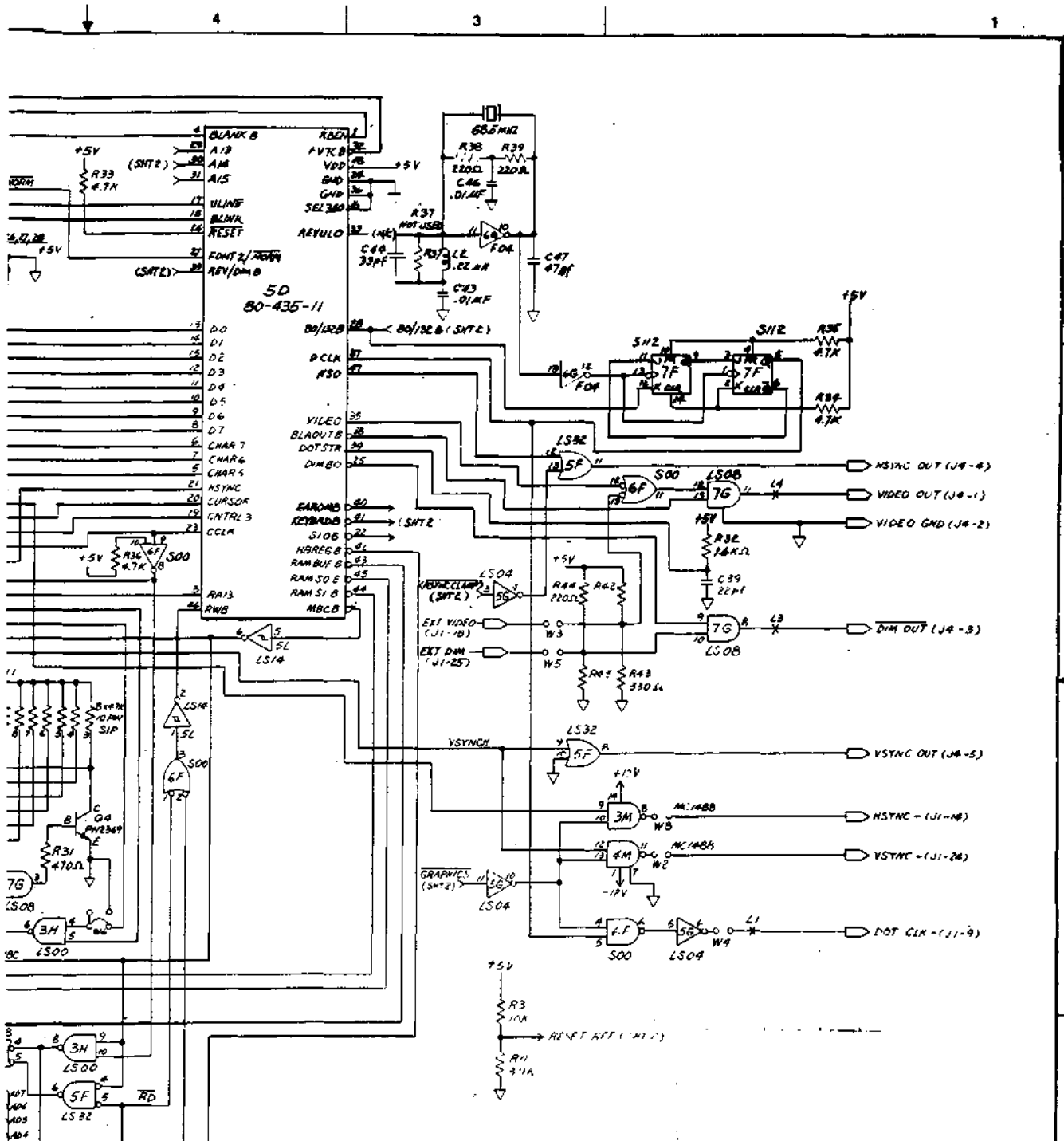
7

6

5



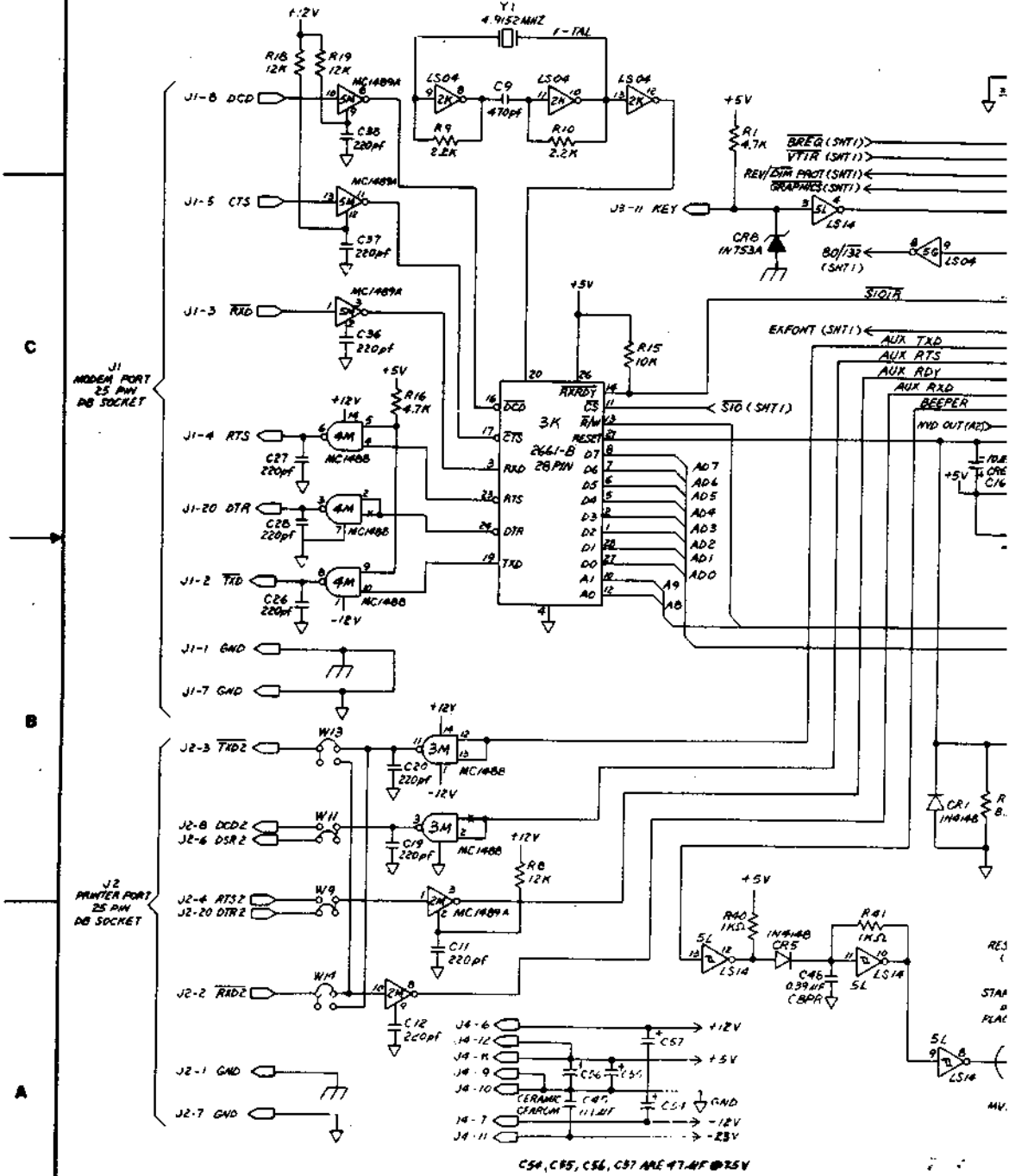
REV	DATE	BY	CHKD
APPLICATION			
THIRD ANGLE PROJECTION			
DO NOT SCALE DIM			



QTY	PCB NO.	PART OR IDENTIFYING NO.	DESCRIPTION OF PART OR IDENTIFYING NO.	DATE	BY
PARTS LIST					
UNLESS OTHERWISE SPECIFIED					
PARTS LIST					
WYSE WYSE TECHNOLOGY					
LOGIC BOARD, WY-50					
SIZE	PCB NO.	DWG NO.	96-058-01	REV	C
D					
SCALE				SHEET	1 OF 2

THIS DRAWING CONTAINS INFORMATION PROPRIETARY TO
 THE COMPANY AND IS NOT TO BE REPRODUCED OR
 TRANSMITTED IN ANY FORM OR BY ANY MEANS
 WITHOUT THE WRITTEN PERMISSION OF THE COMPANY.

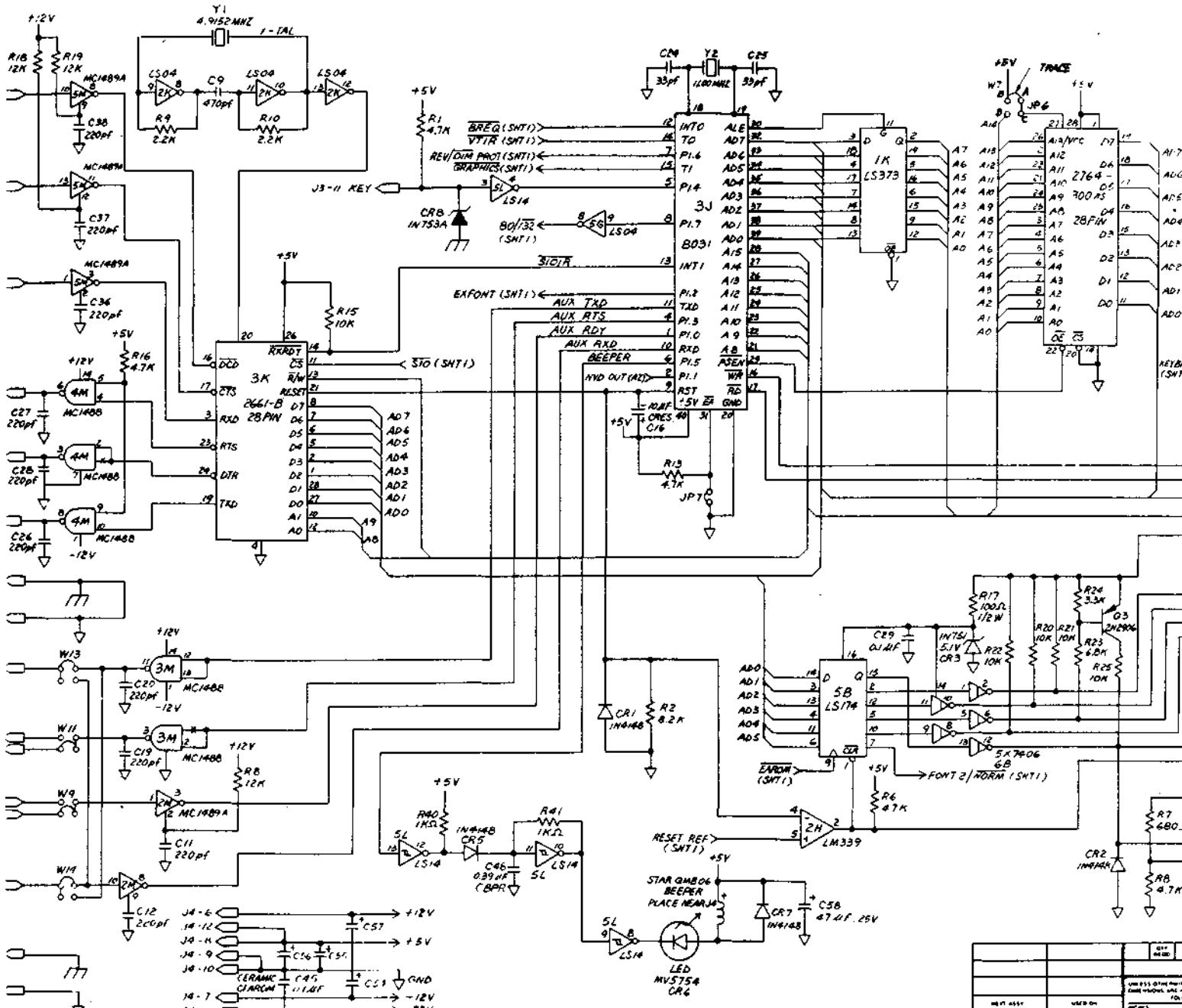
- NOTES:
 1. MOUNT LED NEAR PCR 600F
 2. LS157 - COMMON
 3. ALL JUMPERS (JF) OF SPACINGS.
 605 TRACE ON SOLDER SIDE.



C94, C95, C96, C97 ARE 47.4PF @ 25V

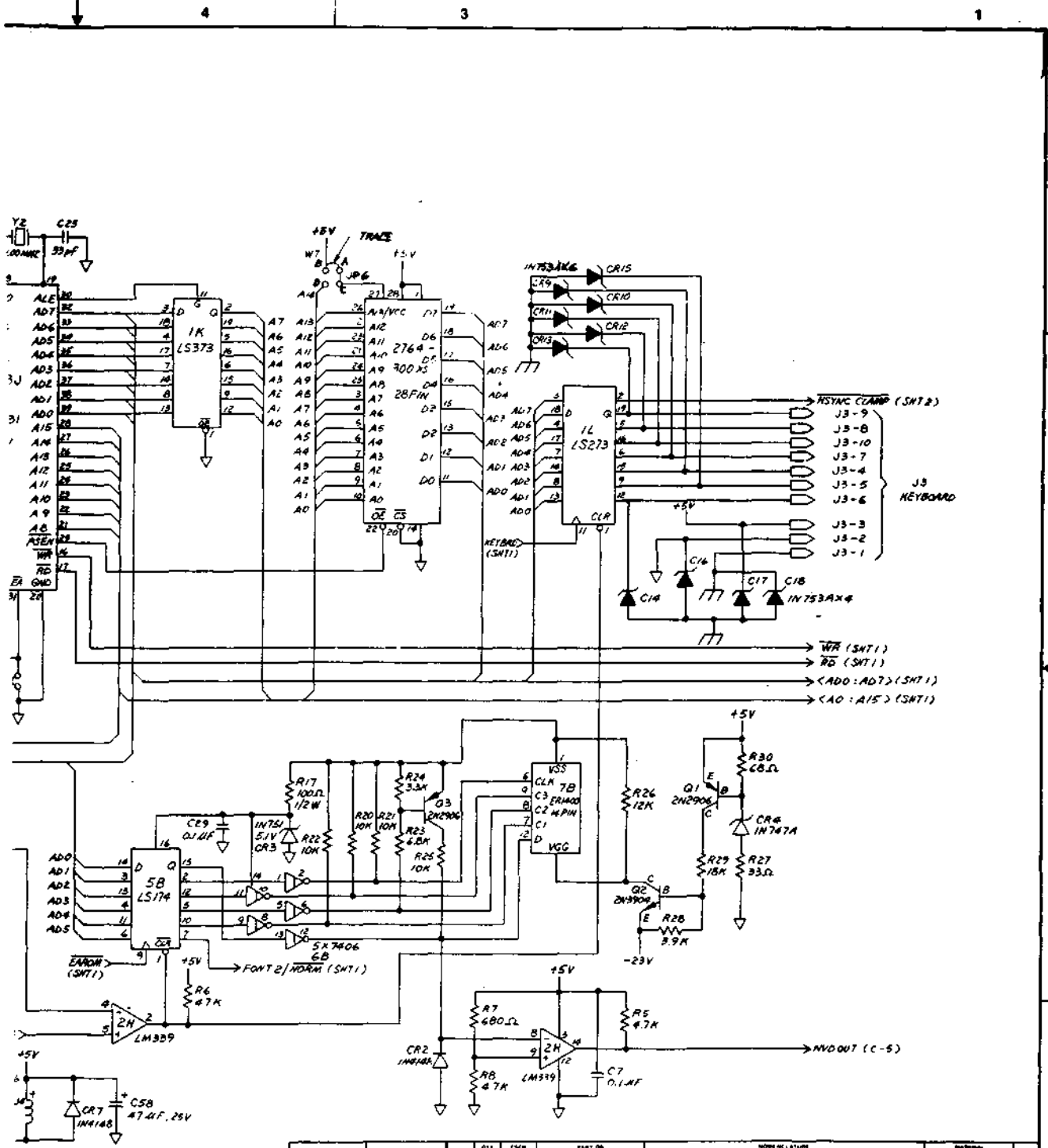
RETURN TO
PAGE 1000
IF REQUIRED

K. ENG
SPACING
R SIDE



C54, C55, C56, C57 ARE 47.4K @ 25V

REF. DESIG.	VALUE	REF. DESIG.	VALUE
IC1	8031	IC2	8032
IC3	8033	IC4	7406
IC5	7406	IC6	7406
IC7	7406	IC8	7406
IC9	7406	IC10	7406
IC11	7406	IC12	7406
IC13	7406	IC14	7406
IC15	7406	IC16	7406
IC17	7406	IC18	7406
IC19	7406	IC20	7406
IC21	7406	IC22	7406
IC23	7406	IC24	7406
IC25	7406	IC26	7406
IC27	7406	IC28	7406
IC29	7406	IC30	7406
IC31	7406	IC32	7406
IC33	7406	IC34	7406
IC35	7406	IC36	7406
IC37	7406	IC38	7406
IC39	7406	IC40	7406
IC41	7406	IC42	7406
IC43	7406	IC44	7406
IC45	7406	IC46	7406
IC47	7406	IC48	7406
IC49	7406	IC50	7406
IC51	7406	IC52	7406
IC53	7406	IC54	7406
IC55	7406	IC56	7406
IC57	7406	IC58	7406
IC59	7406	IC60	7406
IC61	7406	IC62	7406
IC63	7406	IC64	7406
IC65	7406	IC66	7406
IC67	7406	IC68	7406
IC69	7406	IC70	7406
IC71	7406	IC72	7406
IC73	7406	IC74	7406
IC75	7406	IC76	7406
IC77	7406	IC78	7406
IC79	7406	IC80	7406
IC81	7406	IC82	7406
IC83	7406	IC84	7406
IC85	7406	IC86	7406
IC87	7406	IC88	7406
IC89	7406	IC90	7406
IC91	7406	IC92	7406
IC93	7406	IC94	7406
IC95	7406	IC96	7406
IC97	7406	IC98	7406
IC99	7406	IC100	7406



REV	DATE	BY	CHKD BY	DESCRIPTION
1				NEW RELEASE

PARTS LIST	
Q1	LS174
Q2	LS273
Q3	LS273
Q4	IN753A
Q5	IN753A
Q6	IN753A
Q7	IN753A
Q8	IN753A
Q9	IN753A
Q10	IN753A
Q11	IN753A
Q12	IN753A
Q13	IN753A
Q14	IN753A
Q15	IN753A
Q16	IN753A
Q17	IN753A
Q18	IN753A
Q19	IN753A
Q20	IN753A
Q21	IN753A
Q22	IN753A
Q23	IN753A
Q24	IN753A
Q25	IN753A
Q26	IN753A
Q27	IN753A
Q28	IN753A
Q29	IN753A
Q30	IN753A
Q31	IN753A
Q32	IN753A
Q33	IN753A
Q34	IN753A
Q35	IN753A
Q36	IN753A
Q37	IN753A
Q38	IN753A
Q39	IN753A
Q40	IN753A
Q41	IN753A
Q42	IN753A
Q43	IN753A
Q44	IN753A
Q45	IN753A
Q46	IN753A
Q47	IN753A
Q48	IN753A
Q49	IN753A
Q50	IN753A
Q51	IN753A
Q52	IN753A
Q53	IN753A
Q54	IN753A
Q55	IN753A
Q56	IN753A
Q57	IN753A
Q58	IN753A
Q59	IN753A
Q60	IN753A
Q61	IN753A
Q62	IN753A
Q63	IN753A
Q64	IN753A
Q65	IN753A
Q66	IN753A
Q67	IN753A
Q68	IN753A
Q69	IN753A
Q70	IN753A
Q71	IN753A
Q72	IN753A
Q73	IN753A
Q74	IN753A
Q75	IN753A
Q76	IN753A
Q77	IN753A
Q78	IN753A
Q79	IN753A
Q80	IN753A
Q81	IN753A
Q82	IN753A
Q83	IN753A
Q84	IN753A
Q85	IN753A
Q86	IN753A
Q87	IN753A
Q88	IN753A
Q89	IN753A
Q90	IN753A
Q91	IN753A
Q92	IN753A
Q93	IN753A
Q94	IN753A
Q95	IN753A
Q96	IN753A
Q97	IN753A
Q98	IN753A
Q99	IN753A
Q100	IN753A
Q101	IN753A
Q102	IN753A
Q103	IN753A
Q104	IN753A
Q105	IN753A
Q106	IN753A
Q107	IN753A
Q108	IN753A
Q109	IN753A
Q110	IN753A
Q111	IN753A
Q112	IN753A
Q113	IN753A
Q114	IN753A
Q115	IN753A
Q116	IN753A
Q117	IN753A
Q118	IN753A
Q119	IN753A
Q120	IN753A
Q121	IN753A
Q122	IN753A
Q123	IN753A
Q124	IN753A
Q125	IN753A
Q126	IN753A
Q127	IN753A
Q128	IN753A
Q129	IN753A
Q130	IN753A
Q131	IN753A
Q132	IN753A
Q133	IN753A
Q134	IN753A
Q135	IN753A
Q136	IN753A
Q137	IN753A
Q138	IN753A
Q139	IN753A
Q140	IN753A
Q141	IN753A
Q142	IN753A
Q143	IN753A
Q144	IN753A
Q145	IN753A
Q146	IN753A
Q147	IN753A
Q148	IN753A
Q149	IN753A
Q150	IN753A
Q151	IN753A
Q152	IN753A
Q153	IN753A
Q154	IN753A
Q155	IN753A
Q156	IN753A
Q157	IN753A
Q158	IN753A
Q159	IN753A
Q160	IN753A
Q161	IN753A
Q162	IN753A
Q163	IN753A
Q164	IN753A
Q165	IN753A
Q166	IN753A
Q167	IN753A
Q168	IN753A
Q169	IN753A
Q170	IN753A
Q171	IN753A
Q172	IN753A
Q173	IN753A
Q174	IN753A
Q175	IN753A
Q176	IN753A
Q177	IN753A
Q178	IN753A
Q179	IN753A
Q180	IN753A
Q181	IN753A
Q182	IN753A
Q183	IN753A
Q184	IN753A
Q185	IN753A
Q186	IN753A
Q187	IN753A
Q188	IN753A
Q189	IN753A
Q190	IN753A
Q191	IN753A
Q192	IN753A
Q193	IN753A
Q194	IN753A
Q195	IN753A
Q196	IN753A
Q197	IN753A
Q198	IN753A
Q199	IN753A
Q200	IN753A

APPLICATION	
THIRD ANGLE PROJECTION	DO NOT SCALE DRAWING

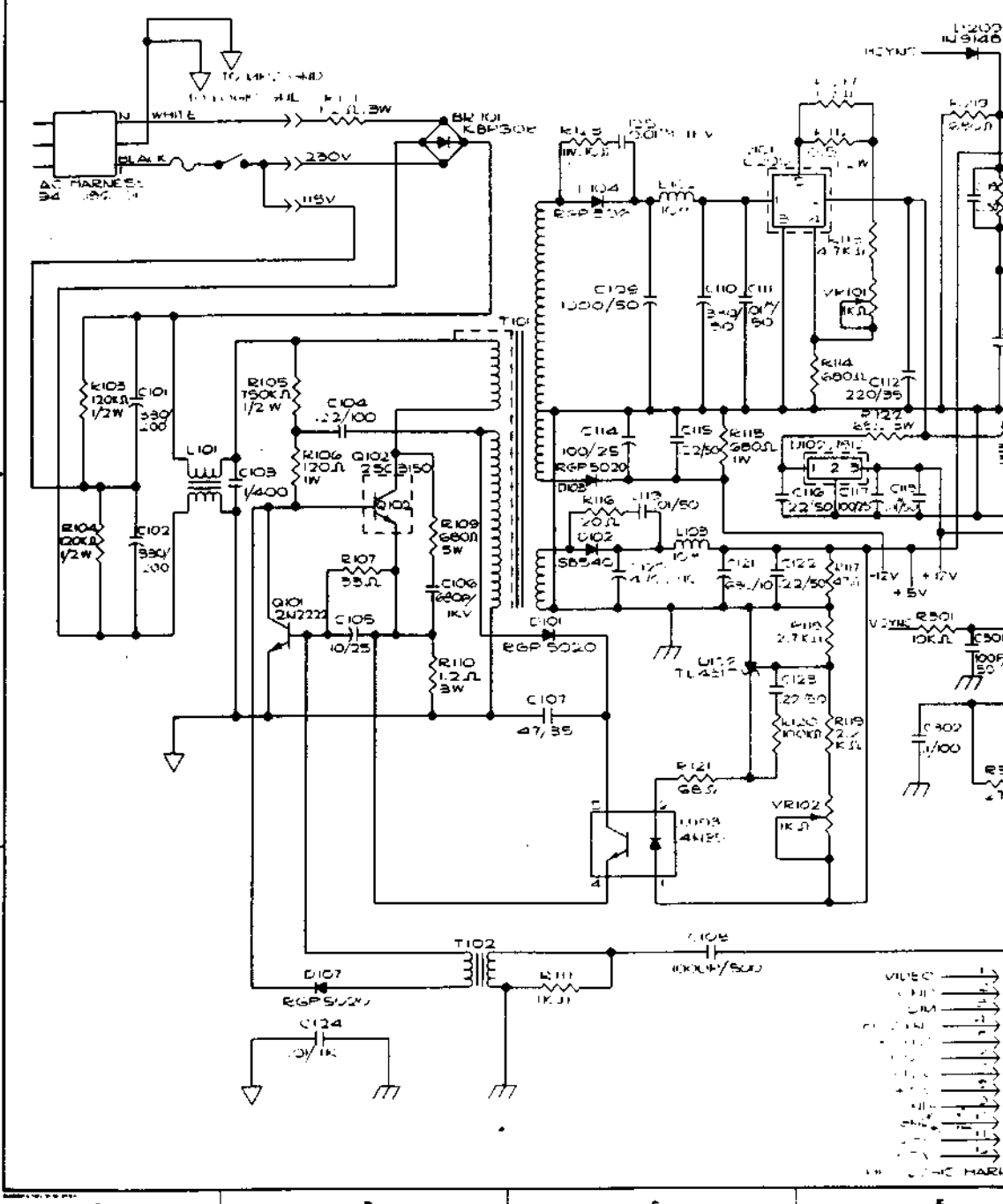
**WYSE TECHNOLOGY
INCORPORATED**
LOGIC BOARD, WY-50

SIZE: D	SCALE:	REV: C
FSCM NO:	DOC NO: 96-058-01	SHEET: 2 OF 2

NOTES:
 1. ALL RESISTORS ARE 1/4 W 5% UNLESS OTHERWISE SPECIFIED
 2. ALL CAPACITORS ARE IN UF UNLESS OTHERWISE SPECIFIED
 FUSE 2A FOR 115VAC
 2A FOR 230V AC

ALU
 VR101 123 5V
 VR102 124 5V
 VR103 125 5V
 VR104 126 5V
 VR105 127 5V
 VR106 128 5V

D
 C
 B
 A



8 7 6 5

7

6

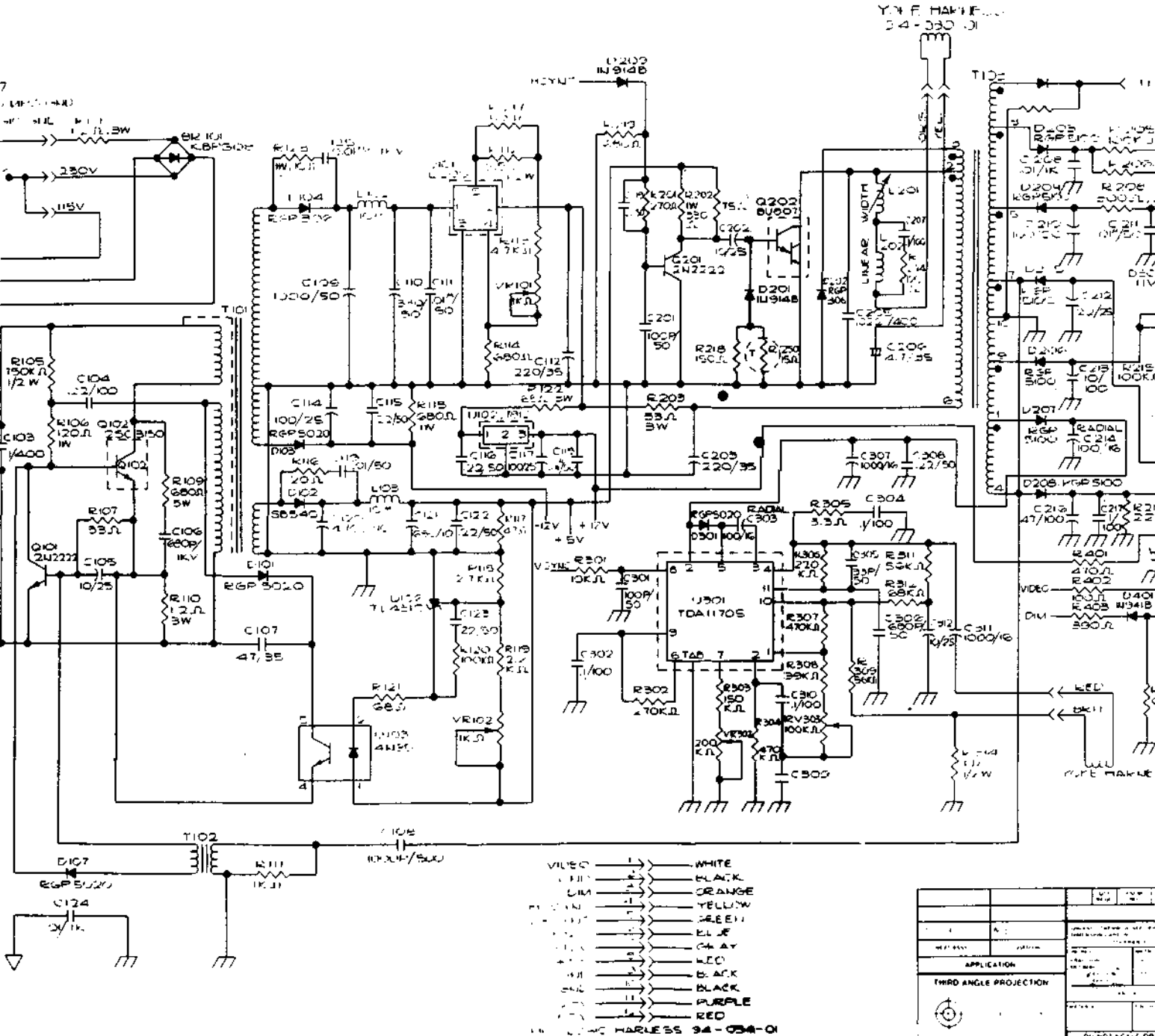
5

4

3

RESISTORS ARE 1/4 W UNLESS OTHERWISE SPECIFIED
CAPACITORS ARE IN UF UNLESS OTHERWISE SPECIFIED

ALL VALUES ARE IN OHMS UNLESS OTHERWISE SPECIFIED



- 1 — WHITE
- 2 — BLACK
- 3 — ORANGE
- 4 — YELLOW
- 5 — GREEN
- 6 — BLUE
- 7 — GRAY
- 8 — RED
- 9 — BLACK
- 10 — PURPLE
- 11 — RED

Y. F. HARLESS
34-380-D1

REV.	DATE	BY	CHKD.
APPLICATION			
THIRD ANGLE PROJECTION			
GUND SCALE OR			

7

6

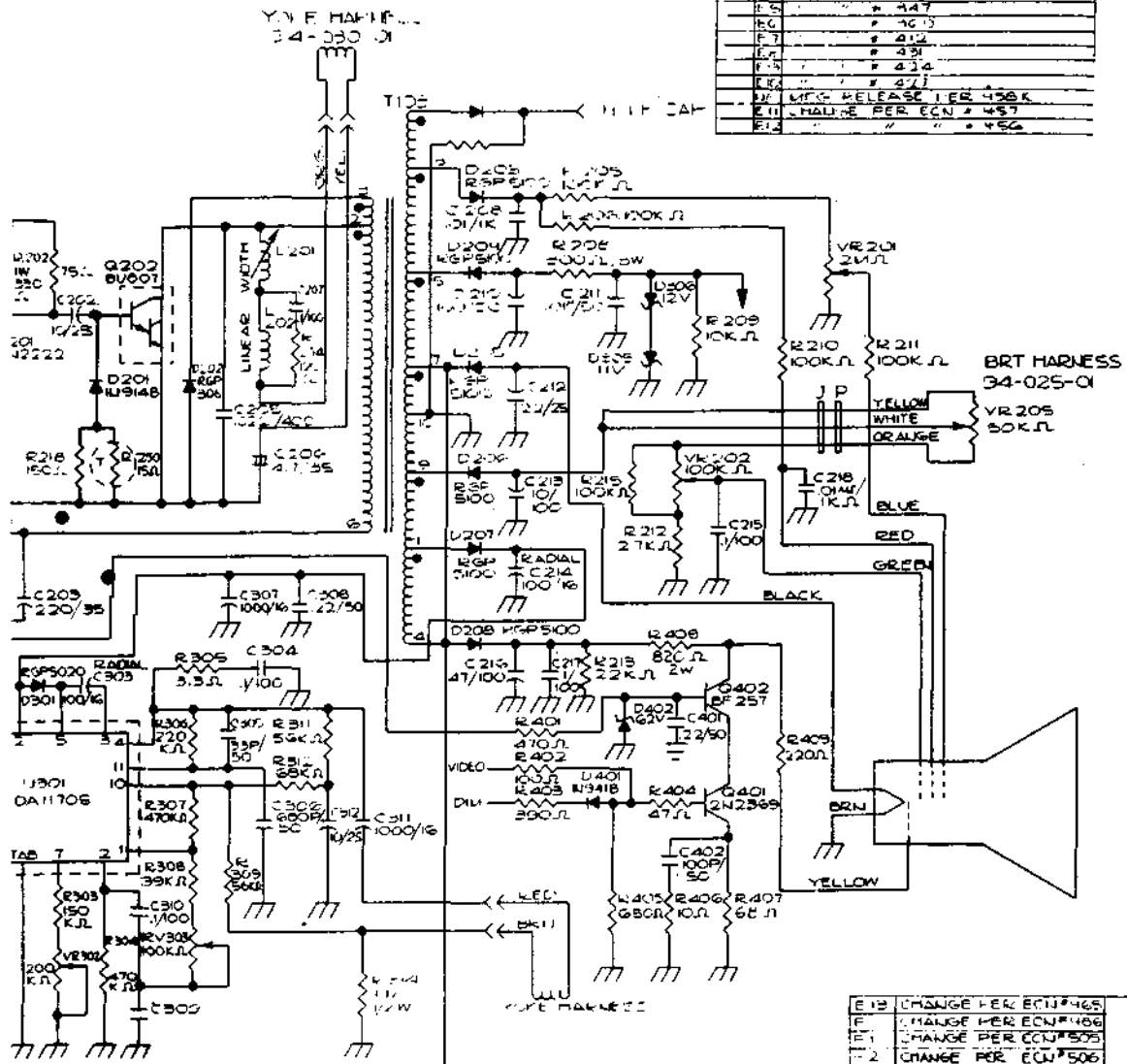
5

4

3

96-019-01 REV F5

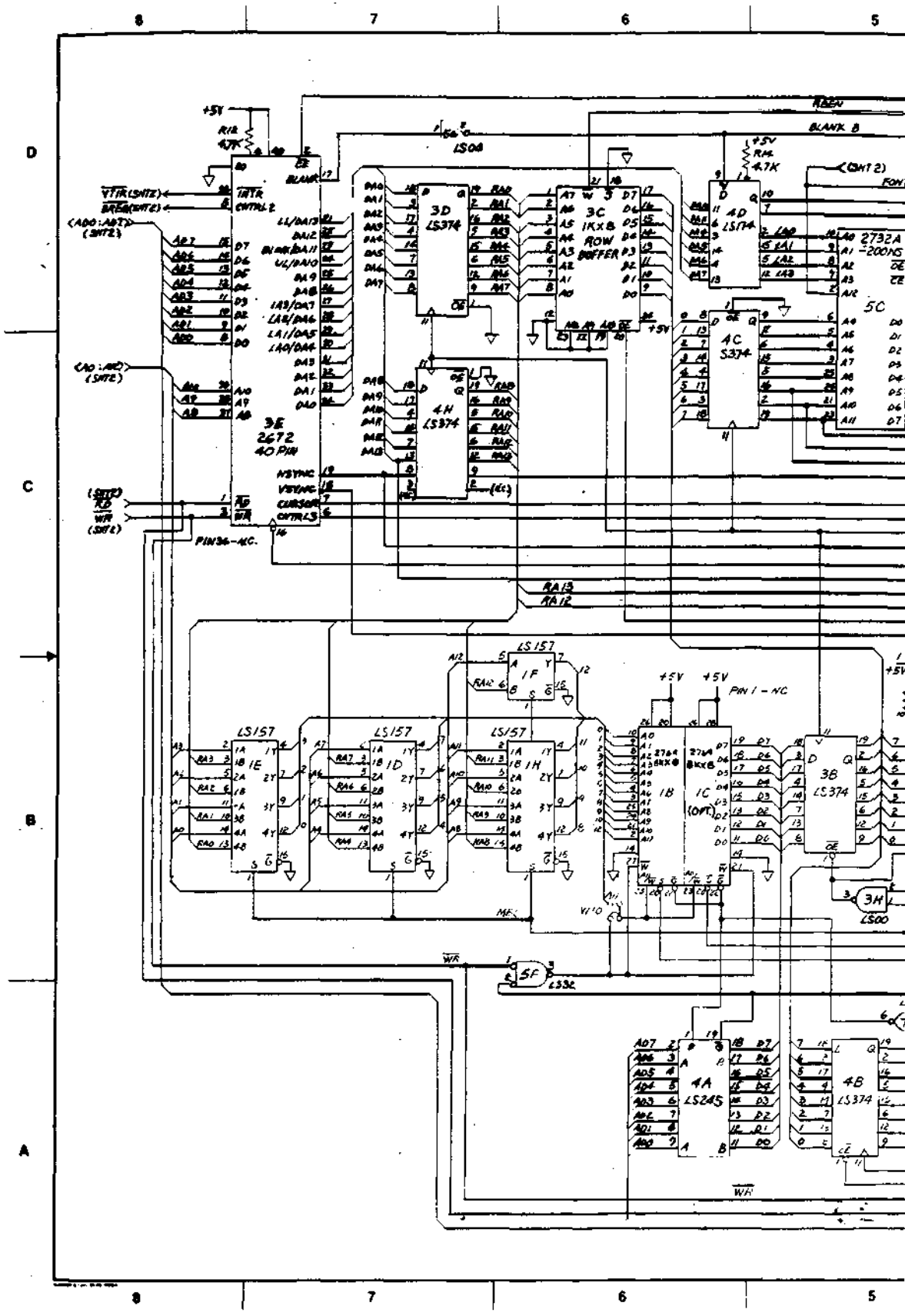
ZONE	REV	DESCRIPTION
C1		SEE ECN # 101
C2		" # 181
D		" # 183
D7		" # 205
D8		" # 204
D4		" # 214
D5		" # 216
D6		" # 206
E1		" # 265
E2		" # 257
E3		" # 267
E4		" # 243
E5		" # 447
E6		" # 463
E7		" # 412
E8		" # 431
E9		" # 434
E10		" # 431
E11		" # 452
E12		" # 456
E13		CHANGE PER ECN # 465
E14		CHANGE PER ECN # 466
E15		CHANGE PER ECN # 505
E16		CHANGE PER ECN # 506
E17		" # 524
E18		ECN # 544 BOM CHANGE ONLY
E19		CHANGE PER ECN # 622

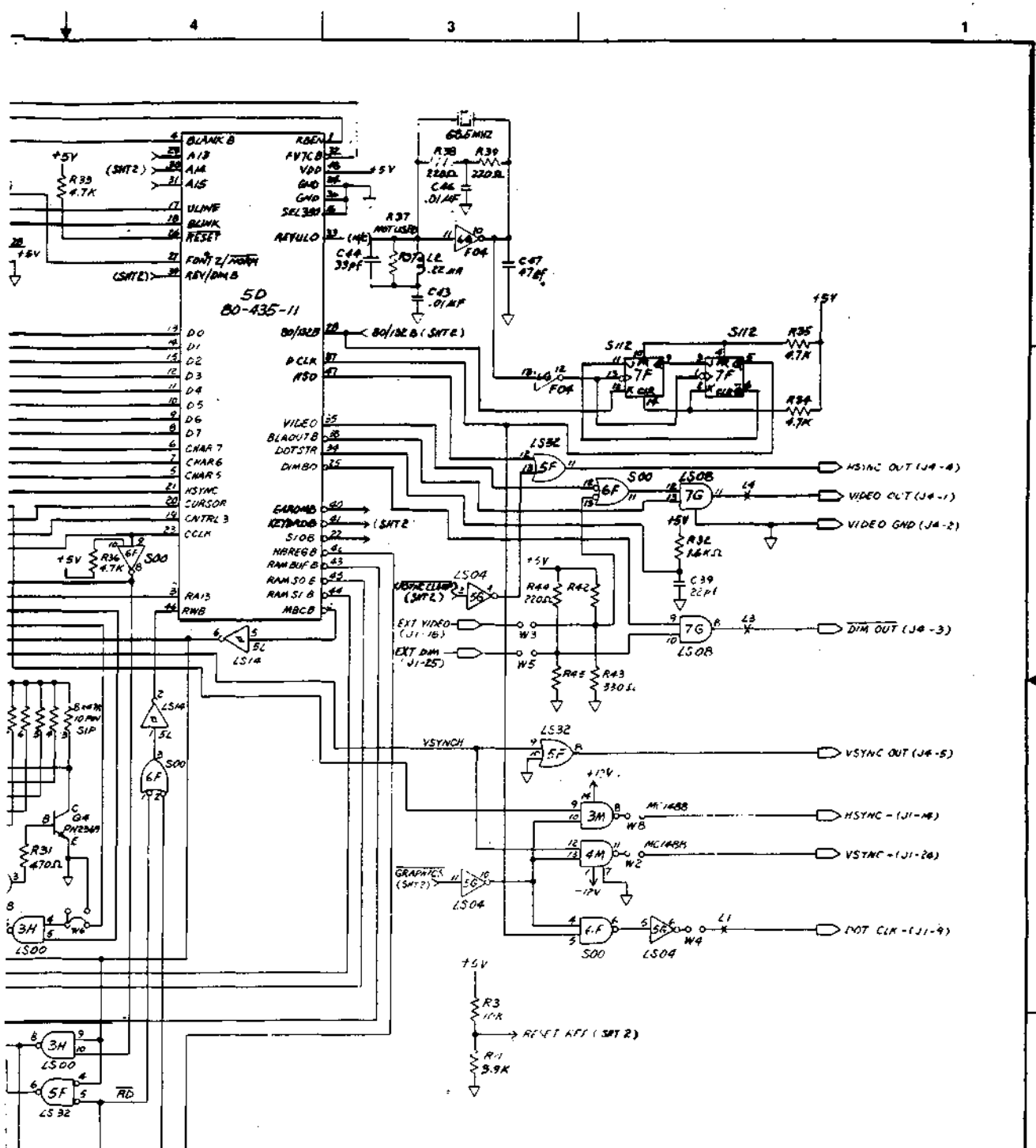


- WHITE
- BLACK
- ORANGE
- YELLOW
- GREEN
- BLUE
- (4) LF
- RED
- BLACK
- BLACK
- PURPLE
- RED

E 13	CHANGE PER ECN # 465
E 14	CHANGE PER ECN # 466
E 15	CHANGE PER ECN # 505
E 16	CHANGE PER ECN # 506
E 17	" # 524
E 18	ECN # 544 BOM CHANGE ONLY
E 19	CHANGE PER ECN # 622

APPLICATION		THIRD ANGLE PROJECTION		PARTS LIST	
<p>WYSE WYSE TECHNOLOGY</p> <p>WY-01 MAINTENANCE POWER SUPPLY</p>				<p>REV D</p> <p>SCALE</p>	
<p>DATE</p> <p>BY</p> <p>APP'D</p>		<p>DATE</p> <p>BY</p> <p>APP'D</p>		<p>DWG NO 96-019-01</p> <p>SHEET 1 OF 1</p>	





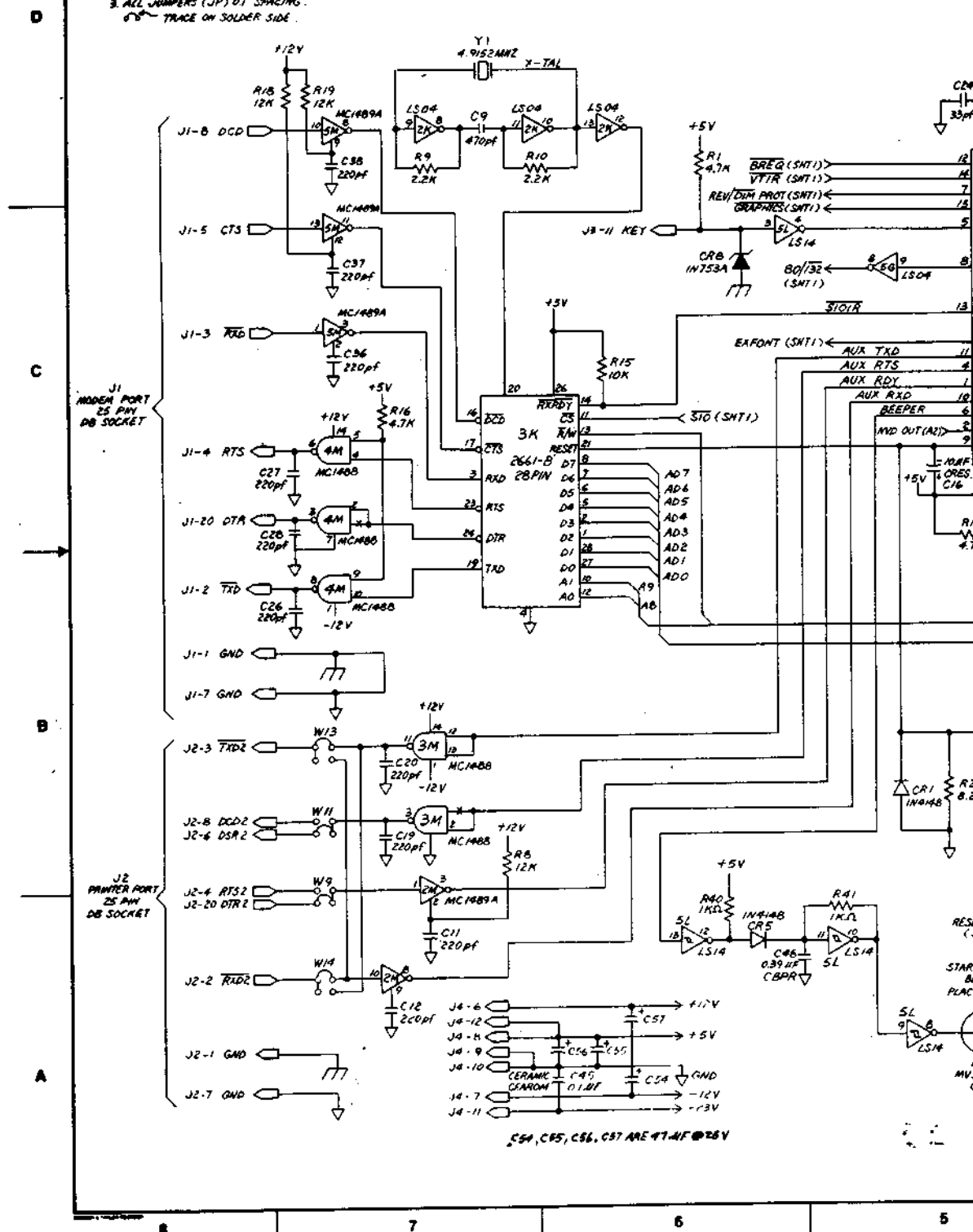
REV	DATE	BY	CHKD	APP'D	DESCRIPTION
1					

PARTS LIST	
QTY	DESCRIPTION
1	LS00
1	LS04
1	LS08
1	LS14
1	LS16
1	LS32
1	LS50

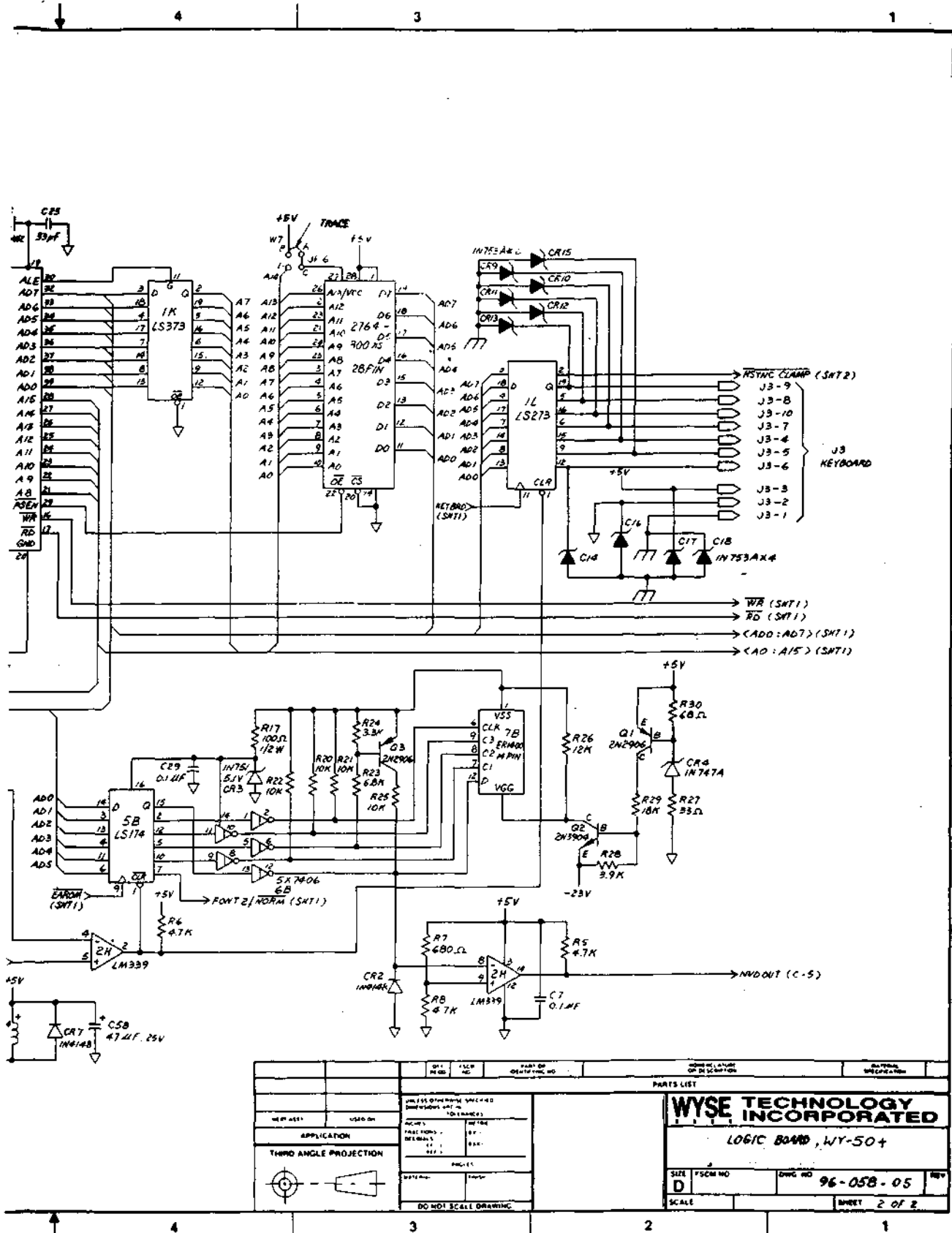
WYSE WYSE TECHNOLOGY	
LOGIC BOARD, WY-50+	
SIZE	FORM NO
D	96-058-05
SCALE	SHEET 1 OF 2

THIS DRAWING CONTAINS INFORMATION PROPRIETARY TO
 OMB SYSTEMS, INC. ANY REPRODUCTION, DISCLOSURE
 OR USE IN CONNECTION WITH ANY OTHER TECHNOLOGY
 OR SYSTEM IS PROHIBITED EXCEPT AS BY THE TERMS
 OF THE LICENSE AGREEMENT ENTERED INTO BY YOU AND
 OMB SYSTEMS, INC. ON 05/18/83.

- NOTES:
 1. MOUNT LED NEAR PCB EDGE
 2. LS157 - COMMON
 3. ALL JUMPERS (JP) 0.1" SPACING.
 6" TRACE ON SOLDER SIDE



C54, C65, C66, C67 ARE 47-UF @ 25V

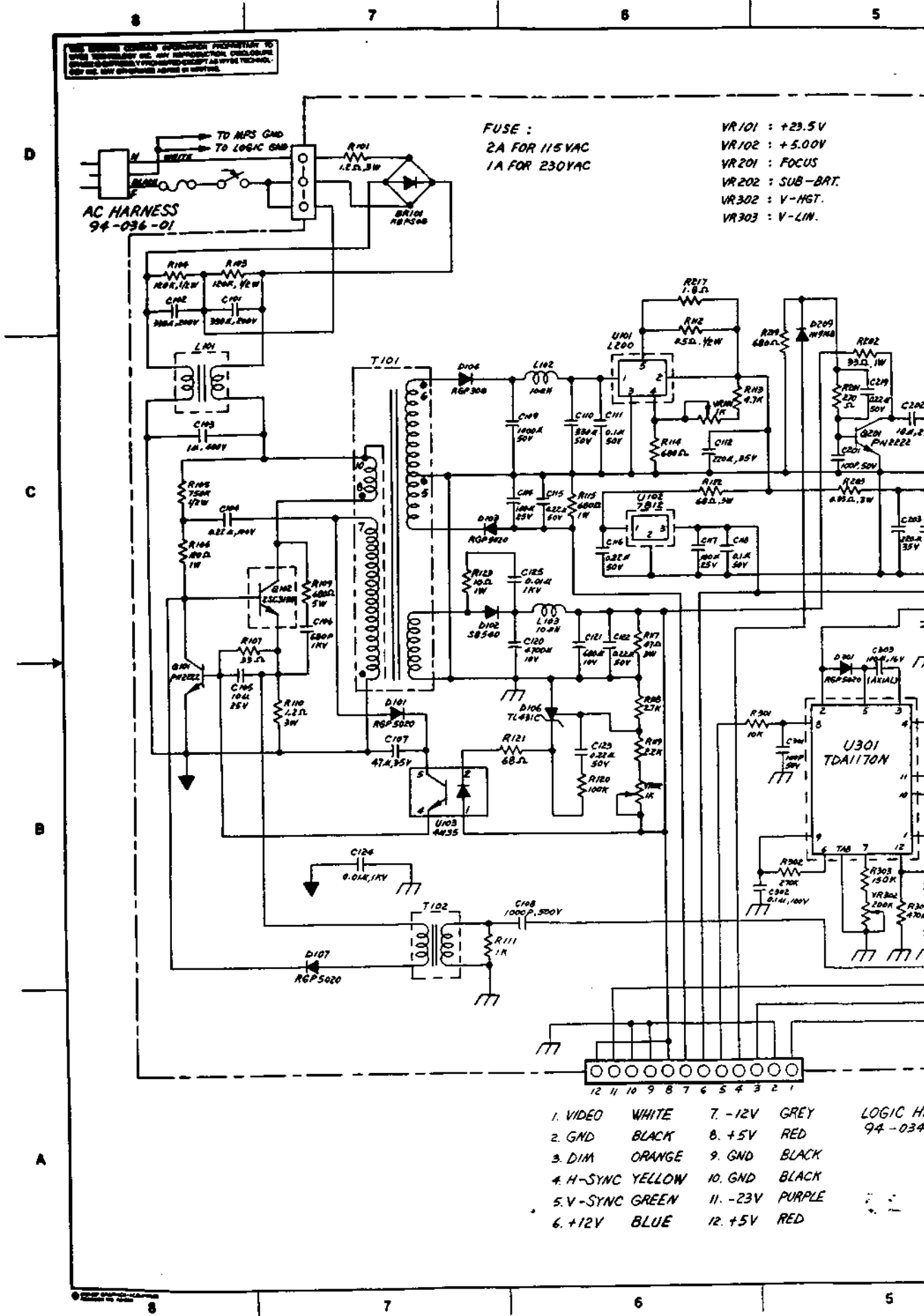


REV. NO.	REV. DATE	REV. BY	REV. DATE	REV. BY	REV. DATE

PARTS LIST		DESCRIPTION	

WYSE TECHNOLOGY INCORPORATED LOGIC BOARD, WY-50+	
SIZE: D SCALE:	PSCM NO: 96-058-05 DWG NO: 96-058-05 SHEET 2 OF 2

THIS DRAWING CONTAINS CONFIDENTIAL INFORMATION TO WHICH RESTRICTIONS ARE APPLIED. DISSEMINATION OF THIS DRAWING TO UNAUTHORIZED PERSONNEL IS PROHIBITED. ANY VIOLATION OF THIS RESTRICTION IS SUBJECT TO PROSECUTION UNDER THE SPY LAWS OF THE UNITED STATES.



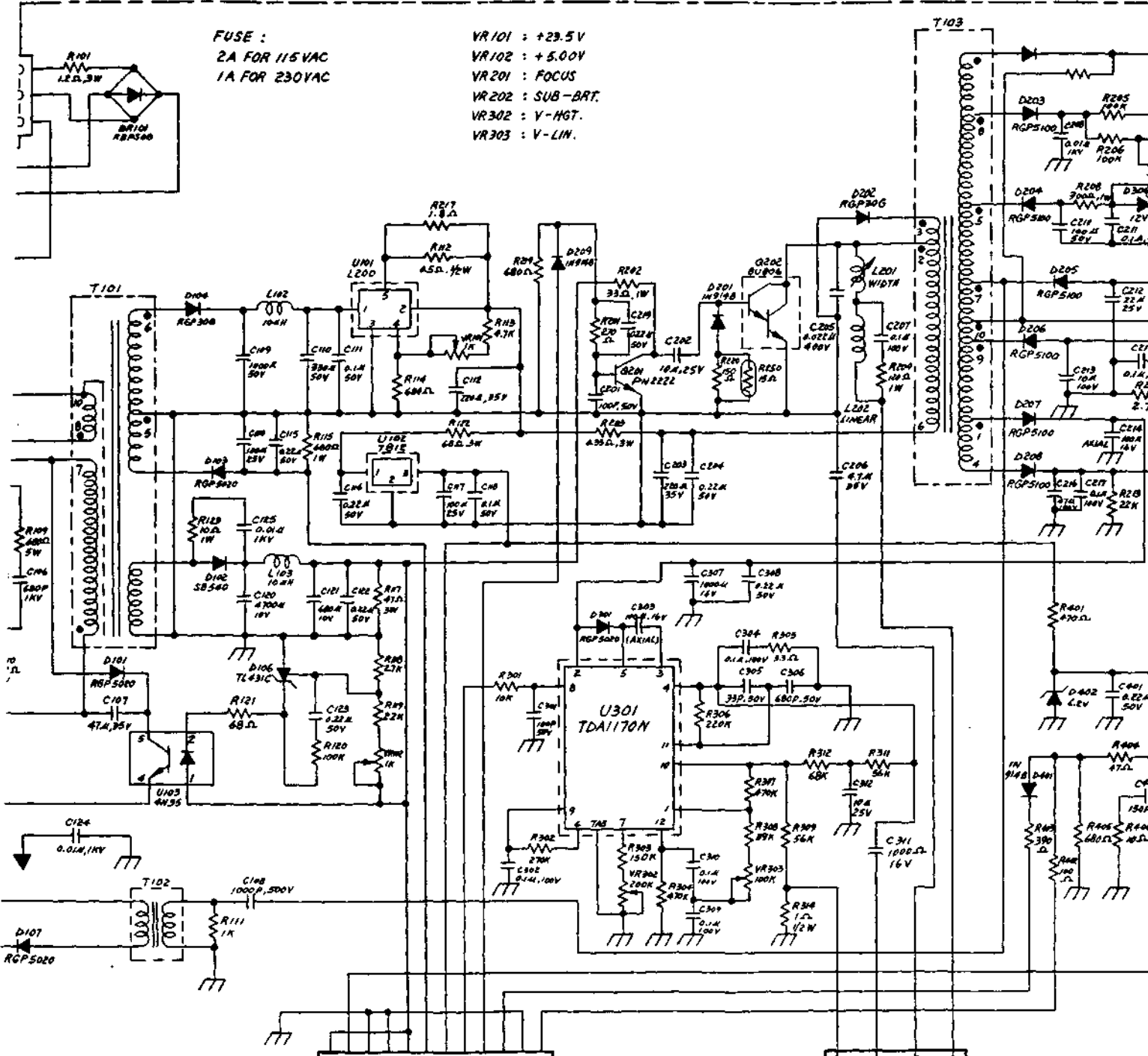
FUSE :
 2A FOR 115VAC
 1A FOR 230VAC

VR101 : +23.5V
 VR102 : +5.00V
 VR201 : FOCUS
 VR202 : SUB-BAT.
 VR302 : V-HGT.
 VR303 : V-LIN.

- | | | |
|------------------|-----------------|----------|
| 1. VIDEO WHITE | 7. -12V GREY | LOGIC HA |
| 2. GND BLACK | 8. +5V RED | 94-034 |
| 3. DIM ORANGE | 9. GND BLACK | |
| 4. H-SYNC YELLOW | 10. GND BLACK | |
| 5. V-SYNC GREEN | 11. -23V PURPLE | |
| 6. +12V BLUE | 12. +5V RED | |

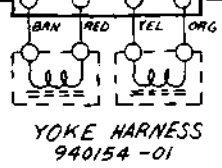
FUSE :
 2A FOR 115VAC
 1A FOR 230VAC

VR101 : +23.5V
 VR102 : +5.00V
 VR201 : FOCUS
 VR202 : SUB-BAT.
 VR302 : Y-HGT.
 VR303 : V-LIN.



- | | | | |
|-----------|--------|----------|--------|
| 1. VIDEO | WHITE | 7. -12V | GREY |
| 2. GND | BLACK | 8. +5V | RED |
| 3. DIM | ORANGE | 9. GND | BLACK |
| 4. H-SYNC | YELLOW | 10. GND | BLACK |
| 5. V-SYNC | GREEN | 11. -23V | PURPLE |
| 6. +12V | BLUE | 12. +5V | RED |

LOGIC HARNESS
94-034-01

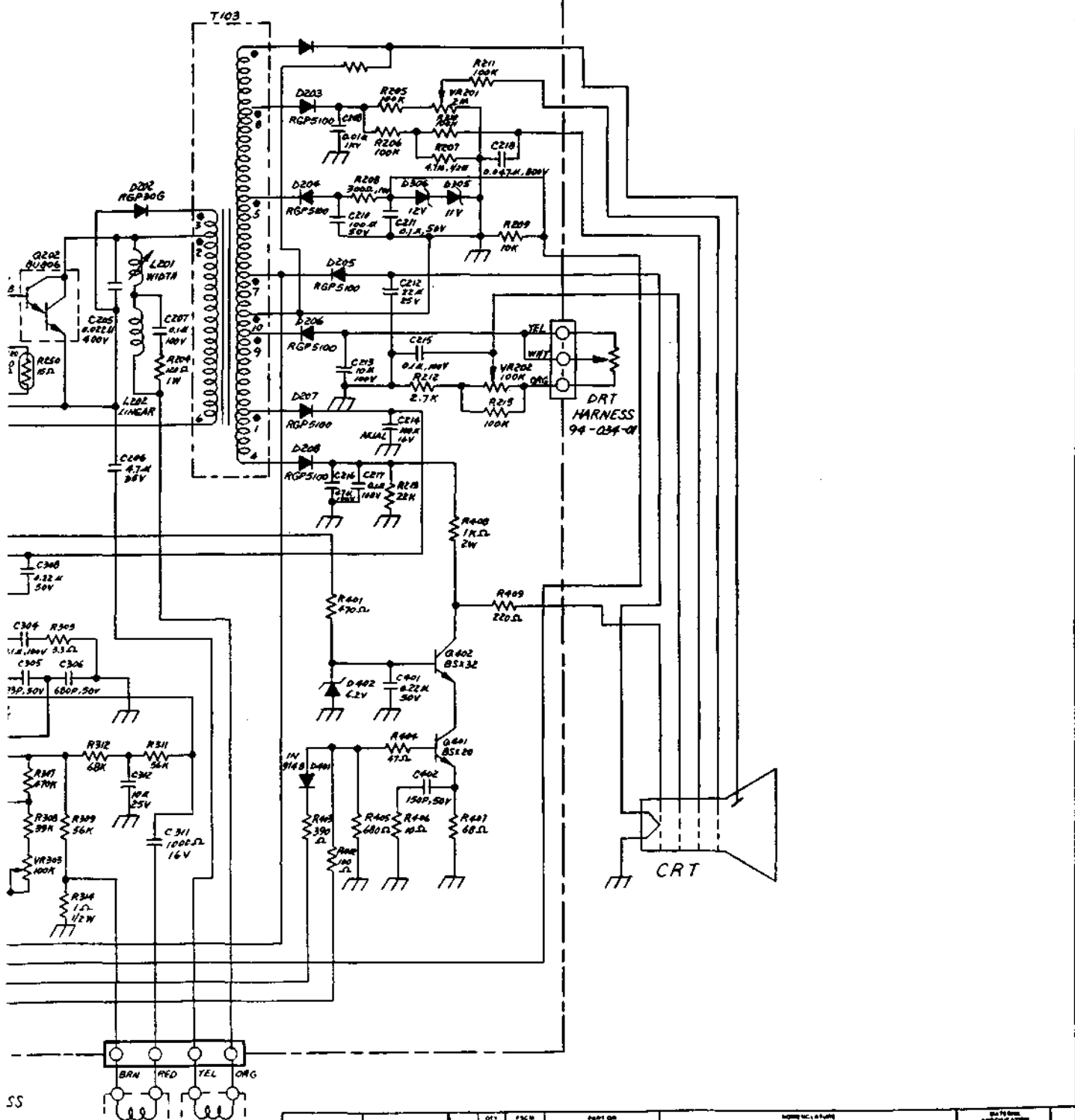


YOKE HARNESS
940154-01

	WY-50-
WY-50-	WY-50-
APPLICATION	
THIRD ANGLE PROJECTION	

96-019-02 Rev 1

REV	DATE	DESCRIPTION	BY	APPROVED
# 916	A	RTC	M-11-85	
#1070	Arcl	REDRAWN FOR CLARITY, NO CHANGES	A-11-85	



YOKE HARNESS
940154-01

QTY	PCB NO	PART OR IDENTIFYING NO	DESCRIPTION OR IDENTIFICATION	DATE
PARTS LIST				
WY-50+		UNLESS OTHERWISE SPECIFIED DIMENSIONS ARE IN TOLERANCES		
UNIT	USED ON	FRAC	DEC	
APPLICATION		SCALE		
THIRD ANGLE PROJECTION		DO NOT SCALE DRAWING		
		WYSE TECHNOLOGY INCORPORATED WY-50+ SCHEMATIC DATE: 12-10-85 SIZE: D PFORM NO: 96-019-02 DWG NO: 96-019-02 SCALE: 1:1 SHEET 1 OF 1		

D
C
B
A

4 3 2 1