

TELETYPE



WIRING DIAGRAM PACKAGE FOR MODEL 33 PRIVATE LINE SETS (SEE NOTE BELOW)

RDP 0033

DRAWING NO.	SHEET NO.	DESCRIPTION	ISSUE NUMBER																												
			31	32	33	34	35	36	37	38	39	40	41	42	43	44	45	46	47	48	49	50	51	52	53	54	55	56	57	58	59
6353WD	1	SCHEMATIC FOR MODEL 33 ASR-KSR-RO FOR DC SIGNAL LINE	29	30	30	30	31																								
6353WD	2	SCHEMATIC FOR MODEL 33 ASR-KSR-RO FOR DC SIGNAL LINE	23	23	23	23	23																								
6353WD	3	SCHEMATIC FOR MODEL 33 ASR-KSR-RO FOR DC SIGNAL LINE	24	24	24	24	24																								
6353WD	4	SCHEMATIC FOR MODEL 33 ASR-KSR-RO FOR DC SIGNAL LINE	23	24	24	24	24																								
6353WD	5	SCHEMATIC FOR MODEL 33 ASR-KSR-RO FOR DC SIGNAL LINE	25	26	26	26	26																								
6353WD	I.C.	SCHEMATIC FOR MODEL 33 ASR-KSR-RO FOR DC SIGNAL LINE	15	16	16	16	17																								
6354WD	1	ACTUAL FOR MODEL 33 ASR-KSR-RO FOR DC SIGNAL LINE	29	29	29	29	30																								
6354WD	2	ACTUAL FOR MODEL 33 ASR-KSR-RO FOR DC SIGNAL LINE	26	27	27	27	27																								
6354WD	3	ACTUAL FOR MODEL 33 ASR-KSR-RO FOR DC SIGNAL LINE	26	26	26	26	26																								
6354WD	4	ACTUAL FOR MODEL 33 ASR-KSR-RO FOR DC SIGNAL LINE	10	10	10	10	10																								
6354WD	5	ACTUAL FOR MODEL 33 ASR-KSR-RO FOR DC SIGNAL LINE	11	11	11	11	11																								
6354WD	I.C.	ACTUAL FOR MODEL 33 ASR-KSR-RO FOR DC SIGNAL LINE	24	25	25	25	26																								
181821	-	CIRCUIT CARD 500 MA SMD	9	9	10	10	10																								
182630 - 35	-	CIRCUIT CARD 500 MA SMD	17	17	17	17A	17A																								
183079	-	CIRCUIT CARD, AUTO READER POWER PACK	9	9	9	9A	9A																								
183087	-	CIRCUIT CARD, MANUAL READER POWER PACK	10	10	11	11	11																								
NOTE:		THIS WDP COVERS THE FOLLOWING MODEL 33 SETS:																													
		33TA, TA/I, TB, TB/I, TC, TC/I, TS, TU, TZ, TAB, TAC,																													
		TAF, TAH, TAJ, TAY, TAZ, TBH, TBZ, TCA, TDG, TDJ, TDK,																													
		TDM, TER																													

TELETYPE CORPORATION

184617

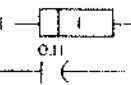
NOTE: THE LAST COMPLETED COLUMN INDICATES THE LATEST ISSUE NUMBER OF WDP.

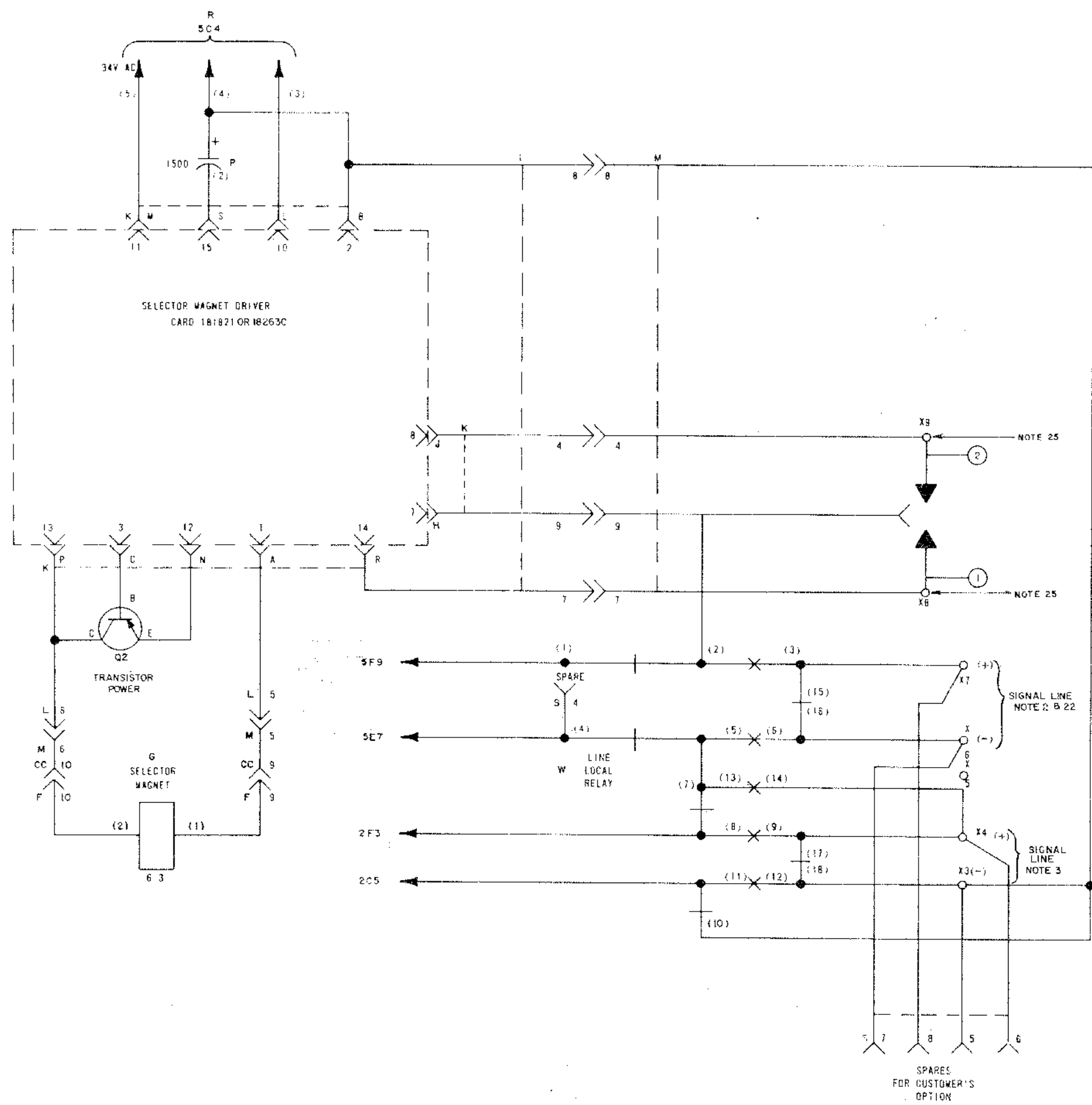
NOTE: REVISION INFORMATION MUST ALSO BE REFLECTED ON THE ISSUE CONTROL RECORD, WHICH IS PART OF THIS # 0

6353WD		
REVISIONS		
ISSUE	DATE	AUTH. NO.
2	11-20-63	79256
3	1-8-64	79934
4	4-9-64	81640
5	6-9-64	81773
6	11-27-64	84602
7	2-15-65	84599
8	3-15-65	85643
9	8-6-65	86283
10	10-15-65	88982
11	12-17-65	89007
12	1-13-66	88841-3
13	2-1-66	90357
14	3-9-66	99721-2
15	7-29-66	90790
16	2-2-68	90274
17	5-10-66	80380
18	10-12-66	80771
19	10-18-66	82181
20	12-28-66	93963
21	4-28-67	93004
22	8-23-67	94003
23	8-24-67	94780 D
24	1-16-68	84976
25	1-24-69	86776
26	4-16-69	99079
27	5-20-69	99243
28	9-9-69	99474
29	7-29-70	99957
30	1-22-71	419
31	5-14-71	2787

- NO. NOTES
- FOR ACTUAL WIRING DIAGRAM SEE 6354WD
 - THE SET IS SHOWN WIRED FOR SIMPLEX .020 AMP. NEUTRAL SIGNAL LINE ON TERMINALS 6 AND 7 OF THE 151411 TERM. STRIP. FOR .020 AMP. NEUTRAL SIGNAL LINE MOVE THE P WIRE FROM TERMINAL 8 TO TERMINAL 9 OF THE 151411 TERMINAL STRIP. ALSO MOVE THE BL WIRE FROM TERMINAL 3 OF THE POWER RESISTOR 181816 TO TERMINAL 4.
 - FOR FULL DUPLEX OPERATION CONNECT THE SEND SIGNAL LINE TO TERMINAL 4 AND 3 OF THE 151411 TERMINAL STRIP. MOVE THE W-BL WIRE FROM TERMINAL 4 TO 5 AND THE BR-Y WIRE FROM TERMINAL 3 TO 5 ON THE 151411 TERMINAL STRIP.
 - ON KSR SETS ALL ASSOCIATED READER WIRING IS NOT USED.
 - ALL CAPACITANCE VALUES IN MICROFARADS UNLESS OTHERWISE SPECIFIED.
 - ALL RESISTORS 1/2 WATT AND RESISTANCE VALUES IN OHMS UNLESS OTHERWISE SPECIFIED
 - ON RO SETS USE 18183B PLUG ASSEMBLY.
 - THESE CONNECTIONS ARE MADE AS OPTIONS BY THE CUSTOMER AND OR THE FACTORY.
 - .020 AMP. SIGNAL LINE OPTION ①
.020 AMP. SIGNAL LINE OPTION ②
 - THIS IS AN 8 LEVEL UNIT.
 - THESE WIRES ARE IN THE DISTRIBUTOR CABLE AS SPARES. IF NOTE 19 APPLIES TAPE AND TIE BACK THESE WIRES.
 - THIS FUSE NOT INCLUDED ON SOME SETS. FUSE VALUES ARE AS FOLLOWS:

TRANSFORMER	FUSE	PART NO.
181879	1/2 AMP SL-BL	117178
182657	8/10 AMP SL-BL	162380
186651	1/2 AMP SL-BL	117176
 - WIRING SHOWN AS 'X' IS FOR EVEN PARITY KEYBOARDS.
 - FURNISH 115V AC ± 10%, 60 Hz EXCEPT 50 Hz ON 33TAB,TAH KSR SETS,33TAC,TAJ, TBP,TDK,TDM,TE5,ASR SETS AND 33TBM RO SETS.
 - APPROPRIATE FUSE IN 182182 FUSEHOLDER NOT INCLUDED IN EARLY SETS.

MOTOR	FUSE VALUE	FUSE PART NO.
182241	2.0 AMPS	138538
182267	1.8 AMPS	329246
 - NETWORK 153631

 - 60 CYCLE READER TRIP COIL RESISTANCE IS 630 Ω. 50/60 CYCLE READER TRIP COIL RESISTANCE CHANGED FROM 630 Ω TO 780 Ω FOR IMPROVED 50 CYCLE OPERATION
 - LOW PAPER ALARM CONTACTS NOT FOUND IN ALL UNITS. CONTACT RATING 4 AMP. AT 30V D.C.
 - TO CUSTOMER SUPPLIED ALARM.
 - AA,AB,AJ,AK, REFER TO MANUAL READER, BA,BB,BJ,BK, REFER TO AUTOMATIC READER.
 - MAY NOT BE FOUND ON EARLY UNITS.
 - 33TDY TO BE WIRED FOR .020 AMP. SIGNAL LINE OPERATION.
 - FOR CUSTOMER USE REQUIRES 48 VAC. POWER SUPPLY.
 - THE 186656 ELAPSED TIMER ASSEMBLY IS USED ON UP848 AND UP856
- NOTES CONTINUED ON ISSUE CONTROL SHEET.



SEE ISSUE CONTROL RECORD FOR COMPLETE LIST OF SHEETS COMPRISING THIS W.D.

SHEET 1

SCHEMATIC WIRING DIAGRAM FOR MODEL 33 ASR, KSR, RO DC SIGNAL LINE

APPROVALS

D AND R	E OF M
---------	--------

E-NUMBER

PROD. NO. 6353WD

DATE 4-24-67

R.D. FILE NO. 2-30 152-153AA

DRAWN JER.	CHKD.
ENGD. AS.	APPD.

TELETYPE CORPORATION

6353WD

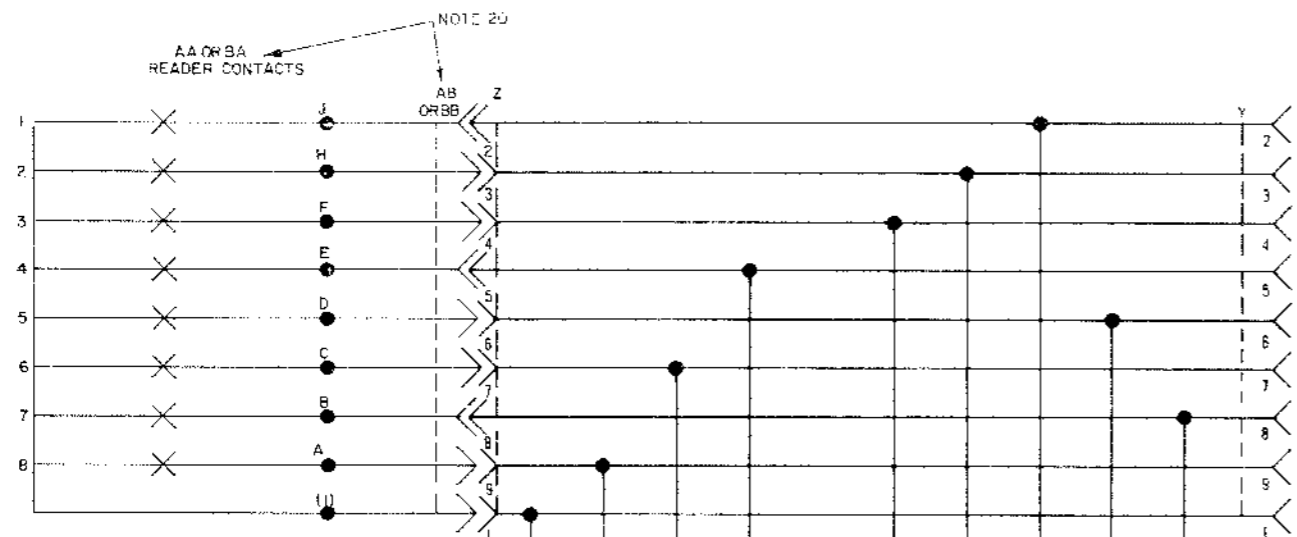
SEE SHEET 1 FOR NOTES

NOTE: REVISION INFORMATION MUST ALSO BE REFLECTED ON THE ISSUE CONTROL RECORD WHICH IS PART OF THIS W.D.

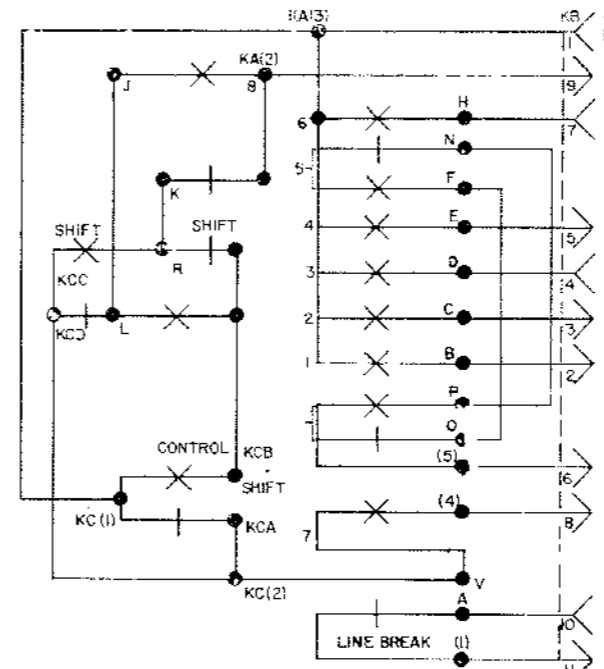
6353WD

REVISIONS

ISSUE	DATE	AUTH. NO.
2	11-20-63	79266
3	1-8-64	79934
4	4-9-64	81640
5	6-9-64	81773
6	11-27-64	84602
7	2-15-65	84599-1
8	3-19-65	85643
9	3-6-65	88293
10	10-15-65	88863
11	12-17-65	89007
12	1-13-66	89841-3
13	2-17-66	90357
14	3-9-66	89721-2
15	3-29-66	90790
16	5-2-66	90374
17	5-10-66	90380
18	10-12-66	90771
19	10-19-66	92181
20	5-23-67	92862
22	8-23-67	94003-10
23	1-24-69	96776

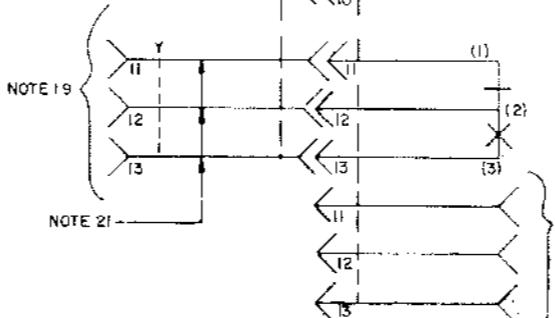
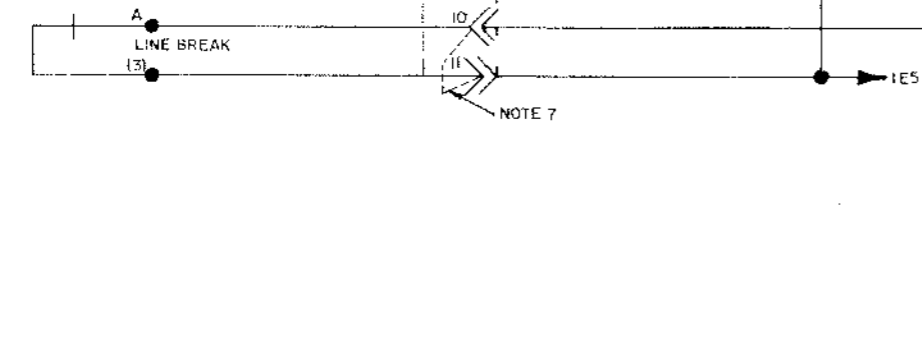
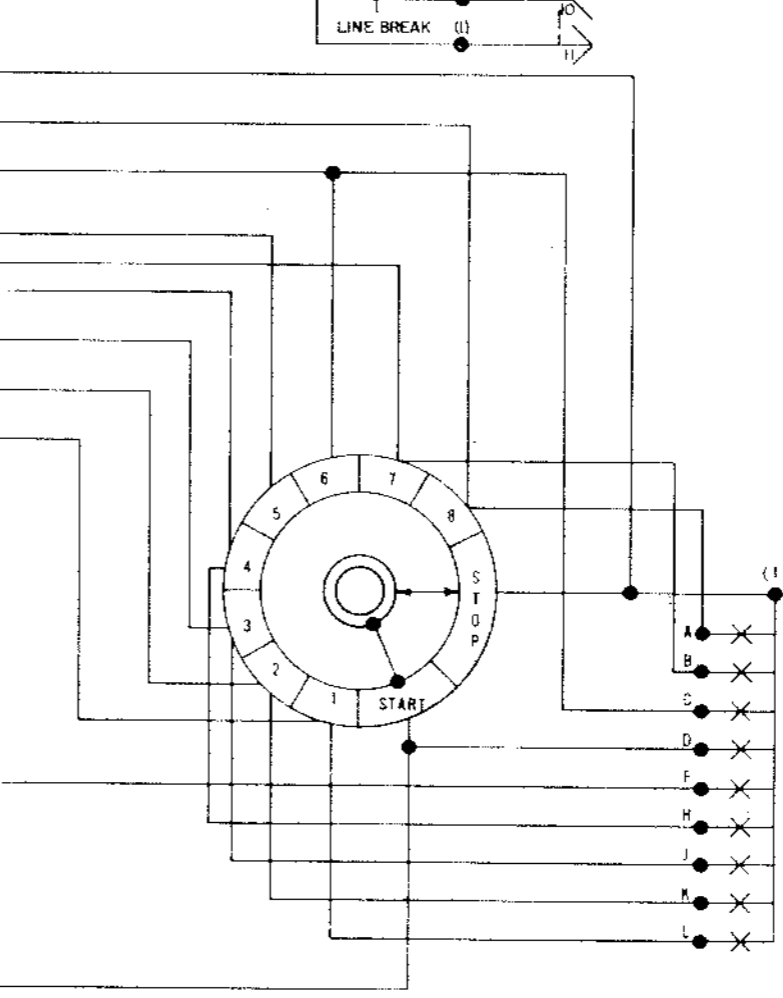
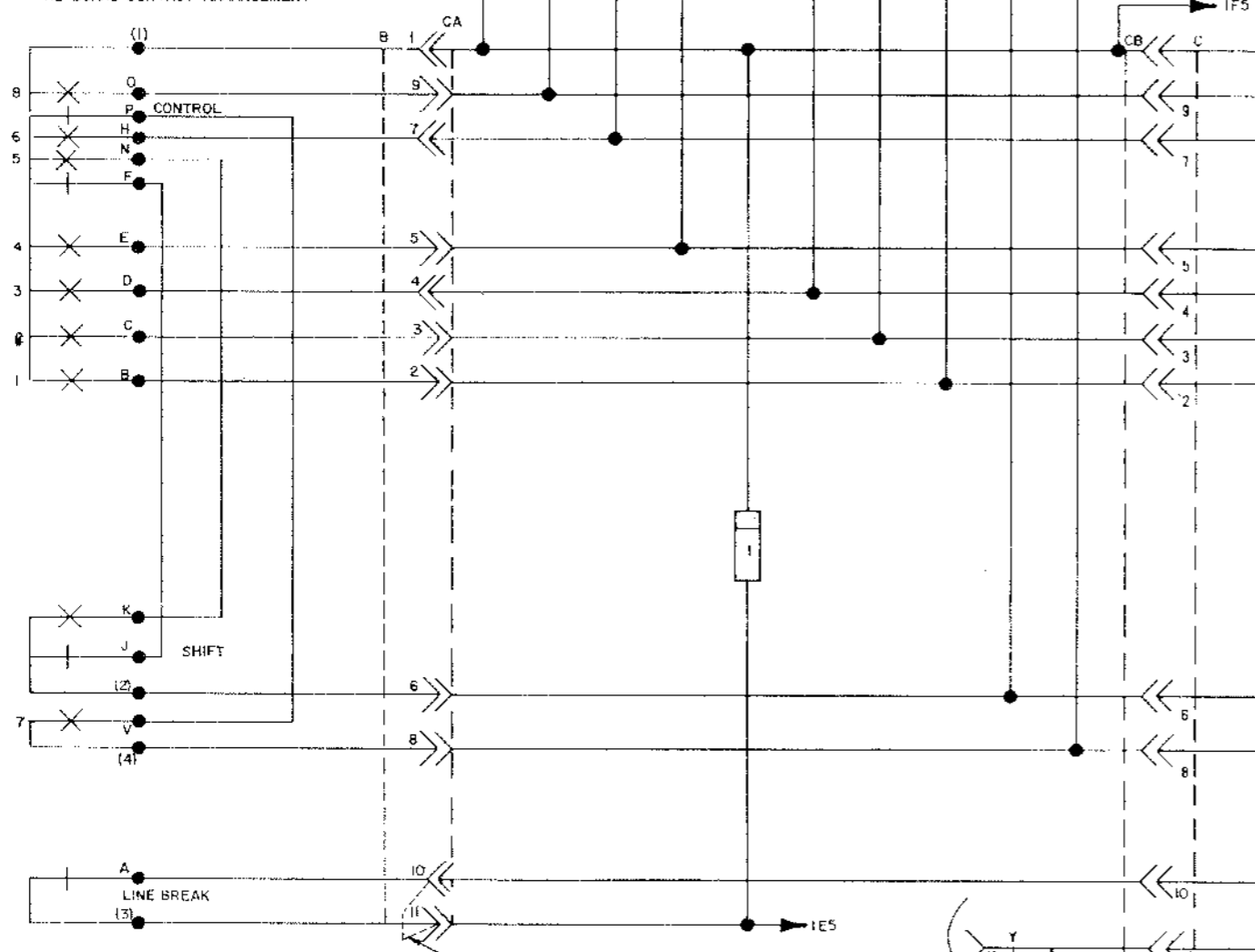


SPARES FOR CUSTOMER'S OPTION



KA AND KC PARITY KEYBOARD CONTACT ARRANGEMENT

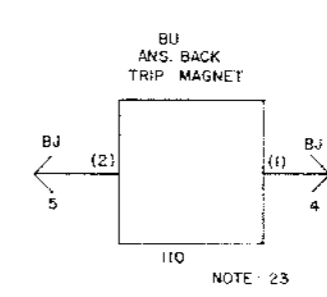
A KEYBOARD CONTACT ARRANGEMENT



PAPER OUT ALARM NOTE 18

NOTE 11

D DISTRIBUTOR DISC



NOTE 23

SEE ISSUE CONTROL RECORD FOR COMPLETE LIST OF SHEETS COMPRISING THIS W.D.

E ANSWER BACK CONTACTS

SHEET 2

SCHEMATIC WIRING DIAGRAM FOR MODEL 33 ASP, KSR, RO DC SIGNAL LINE

APPROVALS
D AND R E OF M

E-NUMBER
PROD. NO. 6353WD

DATE 4-12-67
P.D. FILE NO. 2-30.152/153AA

DRAWN JR CHKD.
ENGD. AS APPD.

TELETYPE CORPORATION

6353WD

SEE SHEET ONE FOR NOTES

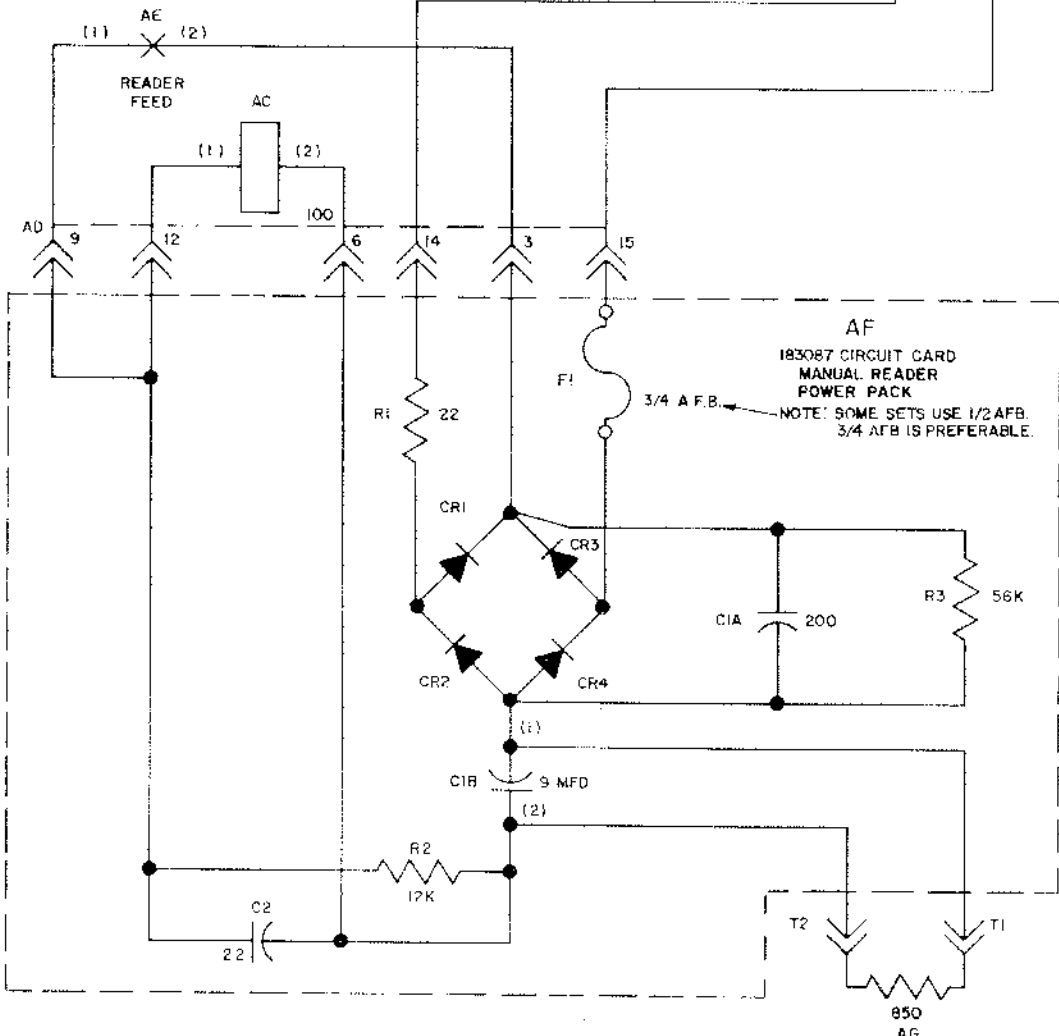
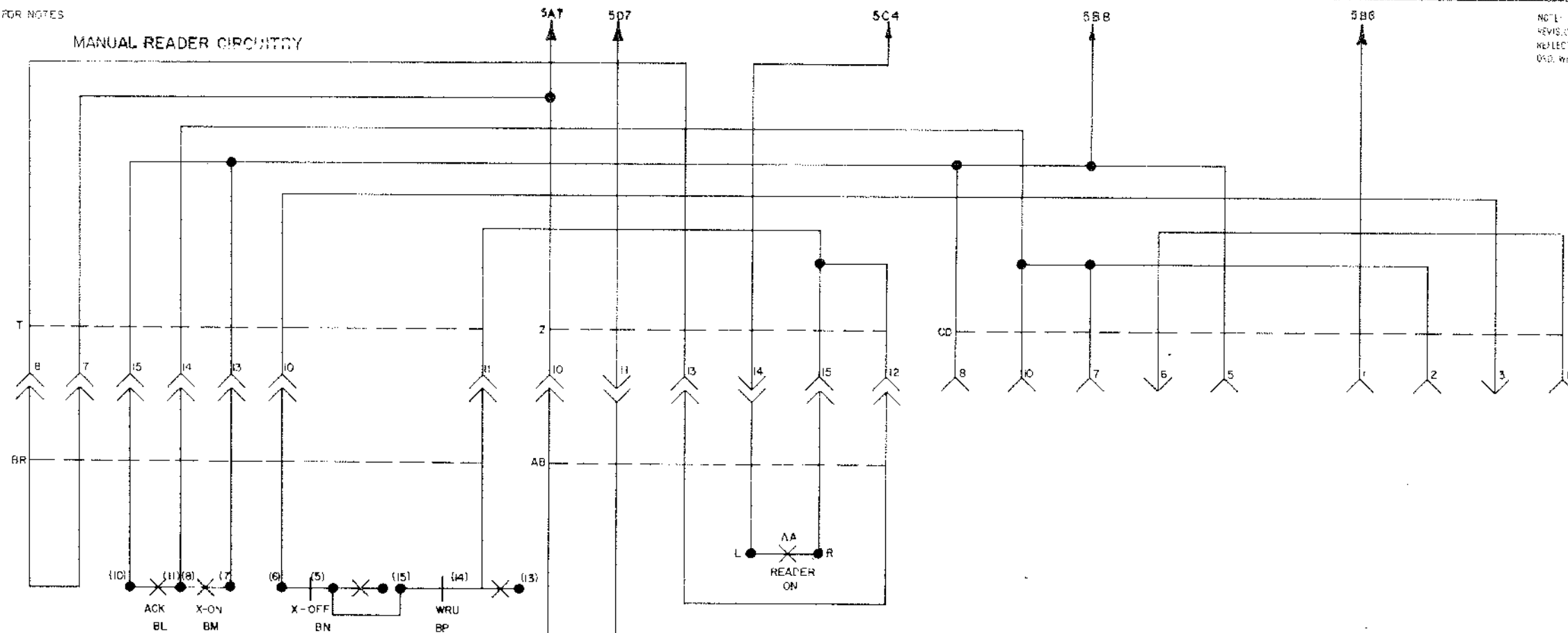
MANUAL READER CIRCUITS

NOTE:
REVISION INFORMATION MUST ALSO BE
REFLECTED ON THE ISSUE CONTROL NO.
AND WHICH IS A PART OF THIS DRAWING

6353WD

REVISIONS

ISSUE	DATE	AUTH. NO.
2	11-20-63	79266
3	1-8-64	79934
4	4-9-64	81640
5	6-9-64	81773
6	11-27-64	84602
7	2-15-65	84599-1
8	3-15-65	85643
9	8-0-65	88293
10	10-15-65	88983
11	12-17-65	89007
12	1-13-66	89841-3
13	2-17-66	90357
14	3-9-66	90721-2
15	3-29-66	90780
16	5-2-66	90374
17	5-10-66	90380
18	0-12-66	90771
19	10-19-66	92181
20	12-28-66	92362
21	8-22-68	95993
22	9-17-69	99187
23	2-10-70	99187-2
24	3-31-70	170



SEE ISSUE CONTROL RECORD FOR COMPLETE LIST OF SHEETS COMPRISING THIS WD

SHEET 3

WDP

SCHEMATIC
WIRING DIAGRAM
FOR
MODEL 33
ASR, KSR, RO
DC SIGNAL LINE

APPROVALS

D AND R	E OF M
---------	--------

E-NUMBER
PROD. NO. 6353 WD
DATE 4-28-67
P.D. FILE NO. 2-30 152/153AA
DRAWN JER
ENGD. AS

TELETYPE CORPORATION

6353WD

SEE SHEET ONE FOR NOTES

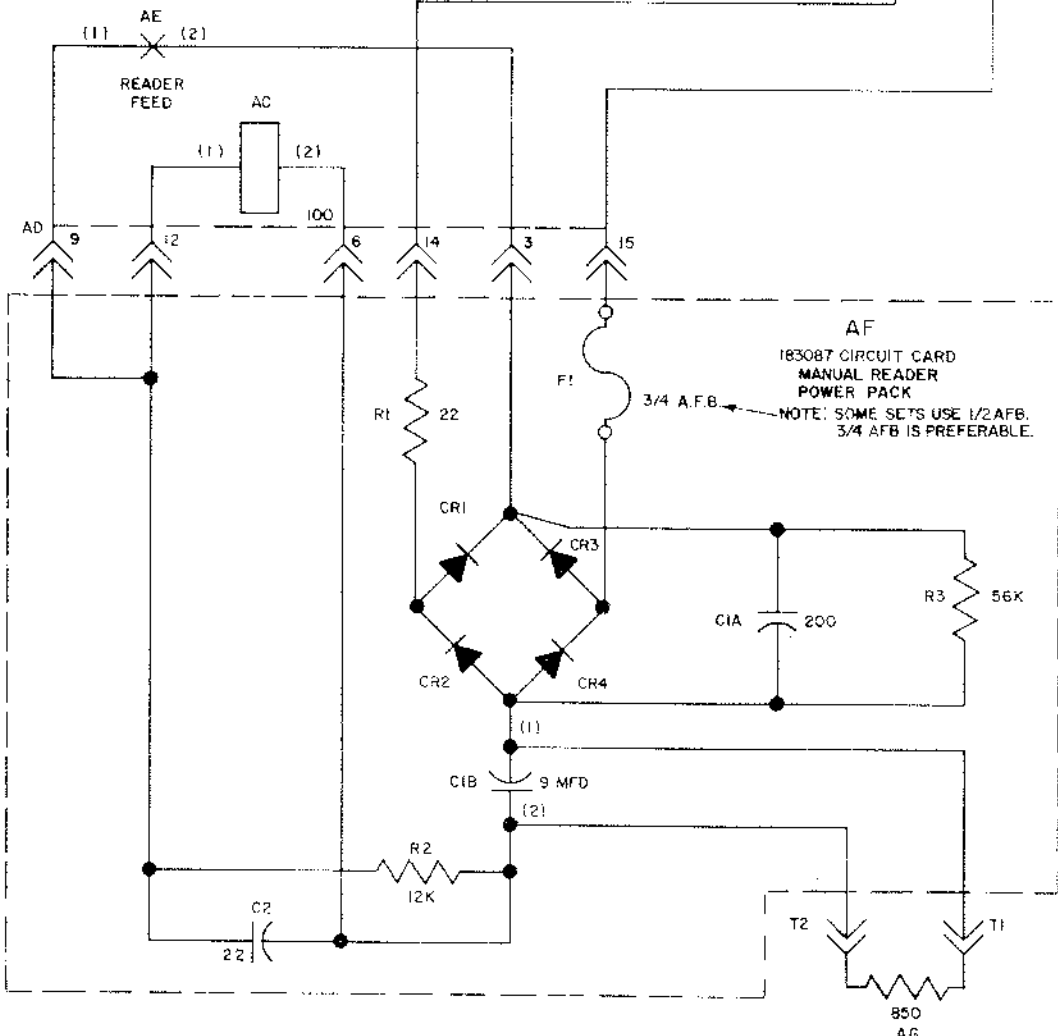
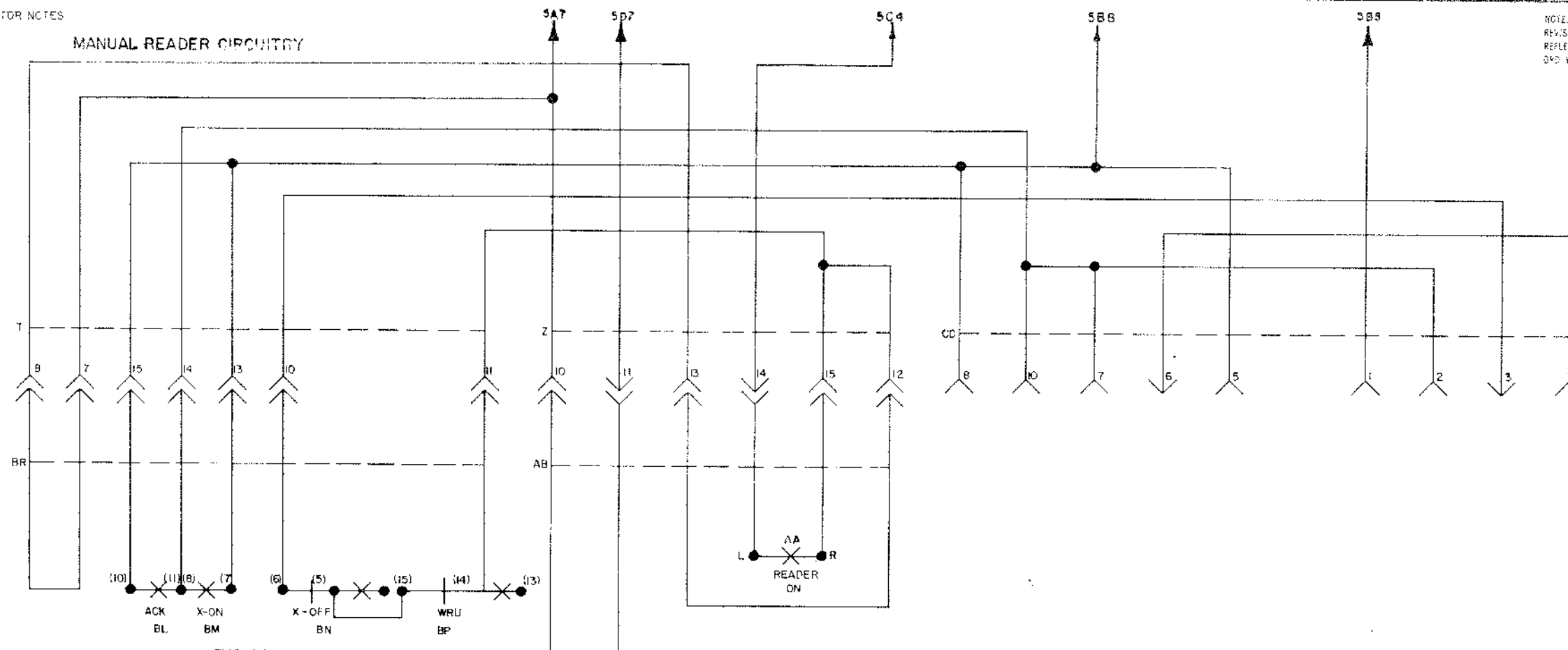
MANUAL READER CIRCUITRY

NOTE:
REVISION INFORMATION MUST ALSO BE REFLECTED ON THE ISSUE CONTROL RECORD WHICH IS A PART OF THIS DRAWING

6353WD

REVISIONS

ISSUE	DATE	AUTH. NO.
2	1-20-63	79266
3	1-8-64	79954
4	4-9-64	81640
5	6-9-64	81773
6	11-27-64	84602
7	2-15-65	84599-1
8	3-15-65	85643
9	6-6-65	88293
10	10-15-65	88983
11	12-17-65	89001
12	1-13-66	89841-3
13	2-17-66	90357
14	3-9-66	39721-2
15	3-29-66	80750
16	5-2-66	90574
17	5-10-66	90380
18	10-12-66	80771
19	10-19-66	92181
20	12-26-66	92362
21	8-22-68	95993
22	9-17-69	99187
23	2-10-70	99187-2
24	3-31-70	170



SEE ISSUE CONTROL RECORD FOR COMPLETE LIST OF SHEETS COMPRISING THIS WD

SHEET 3

WDP

SCHEMATIC
WIRING DIAGRAM
FOR
MODEL 33
ASR, KSR, RO
DC SIGNAL LINE

APPROVALS

D AND R	E OF M
---------	--------

E-NUMBER

PROD. NO. 6353 WD

DATE 4-28-67

P.D. FILE NO. 2-30 152/153AA

DRAWN JER

CHKD.

ENGD. AS

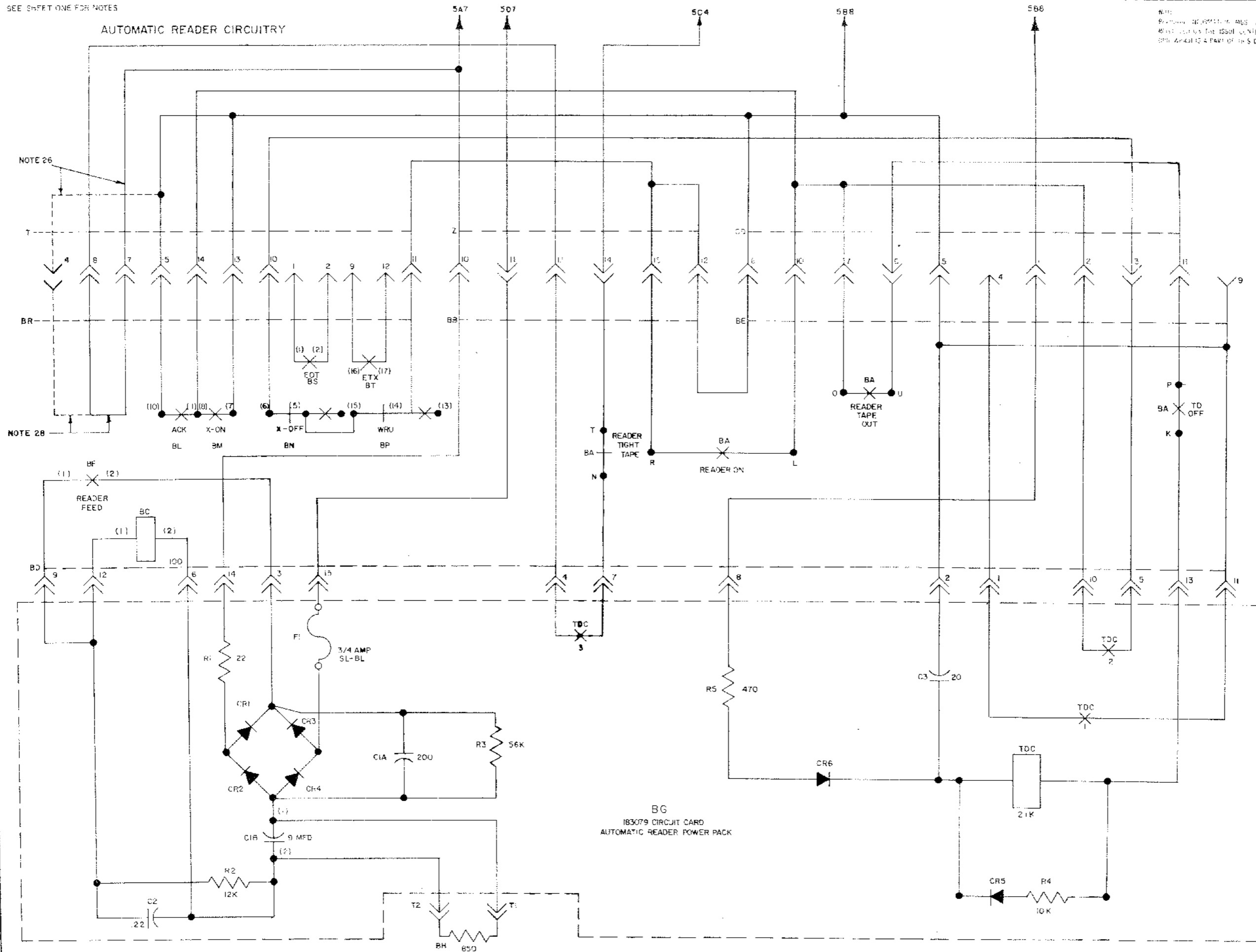
APPD.

TELETYPE
CORPORATION

6353WD

SEE SHEET ONE FOR NOTES

AUTOMATIC READER CIRCUITRY



NOTE 26

NOTE 28

REVISIONS
 REVISIONS: REVISIONS: THIS SHEET IS PART OF THE DRAWING.

6353WD

REVISIONS		
ISSUE	DATE	AUTH. NO.
1	11-20-63	79266
2	1-3-64	79934
3	4-9-64	81640
4	6-9-64	81773
5	11-27-64	84602
6	2-15-65	84599-1
7	3-15-65	85643
8	6-6-65	88293
9	10-15-65	88983
10	12-17-65	89007
11	1-15-66	88841-3
12	2-17-66	90357
13	3-9-66	89721-2
14	3-29-66	90790
15	5-2-66	90374
16	5-10-66	90380
17	10-12-66	90771
18	10-19-66	92181
19	12-28-66	92962
20	1-24-69	96776
21	10-1-69	99557
22	3-31-70	170
23	1-22-71	419
24		

SEE INSTRUCTIONS RECORD FOR COMPLETE LIST OF SHEETS COMPRISING THIS WORK

SHEET 4

SCHEMATIC
 WIRING DIAGRAM
 FOR
 MODEL 33
 ASH, KSR, NO
 DC SIGNAL LINE

APPROVALS

D AND R
 E OF M
LDm

E-NUMBER

PROD. NO. 6353WD

DATE 4-28-67

R.D. FILE NO. 2-30-152/153AA

DRAWN JCR. CHKD.

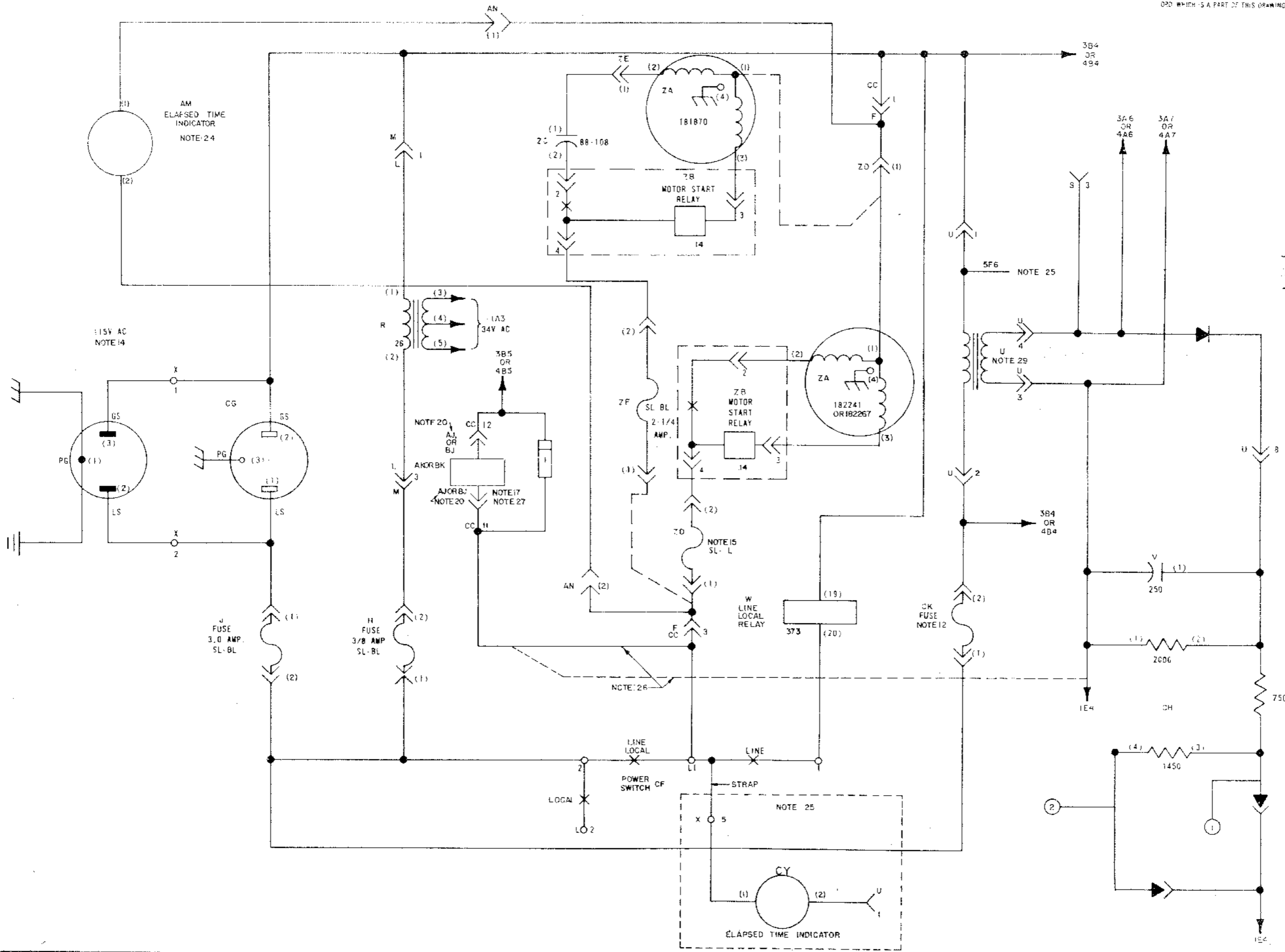
ENGD. AS APPD.

TELETYPE CORPORATION

6353WD

REVISIONS

ISSUE	DATE	AUTH. NO.
2	11-20-63	79266
3	1-8-64	79934
4	4-9-64	81640
5	6-9-64	81773
6	11-27-64	84602
7	2-15-65	84599-1
8	3-15-65	85643
9	8-6-65	88293
10	10-15-65	88983
11	12-17-65	89007
12	1-13-66	88841-3
13	2-17-66	90367
14	3-9-66	89721-2
15	3-29-66	90790
16	5-2-66	90374
17	5-10-66	90380
18	10-12-66	90771
19	10-19-66	92181
20	12-28-66	92962
21	12-21-67	95147-RC
22	1-24-69	96776
23	5-19-68	99243
24	10-1-69	99557
25	3-31-70	170
26	1-22-71	419



SEE ISSUE CONTROL RECORD FOR COMPLETE LIST OF SHEETS COMPRISING THIS W.D.

SHEET 5

SCHEMATIC
WIRING DIAGRAM
FOR
MODEL 37
25A, KSR, RD
DC SIGNAL LINE

APPROVALS

D AND R	E OF M
---------	--------

E-NUMBER
PROD. NO. 6353 WD
DATE 4-23-67
P.D. FILE NO. 2-30152/153AA
DRAWN JR
ENGD. A S

TELETYPE CORPORATION

ISSUE CONTROL RECORD

6353WD

NO. NOTES

25. WHEN THE 182044 ELAPSED TIME INDICATOR IS USED ON HALF DUPLEX ARRANGEMENTS, WIRE AS SHOWN AT 5F6. WHEN FULL DUPLEX OPERATION IS REQUIRED WIRE TIMER AS SHOWN BELOW:

.060A OPERATION

.020A OPERATION

26. UCC6-WIRED AS SHOWN IN SOLID LINES UCC36-T4 CONNECTED TO T15, NO CONNECTION TO T7. COIL NOT CONNECTED PER DASHED LINE TO PROVIDE 48 VAC OPERATION OF READER TRIP COIL.

27. 279M-48VAC-110Ω
300M-115VAC-780Ω

28. WHEN A SET CONTAINS A UP848 IT WILL BE NECESSARY TO REMOVE THE 182692 STRAP BETWEEN TERMINALS 7B8 AND REPLACE IT WITH THE 182693 STRAP BETWEEN TERMINALS 4B8.

29. THE "U" TRANSFORMER MAY BE ONE OF THE FOLLOWING:

SUPPORTING INFORMATION

CATEGORY NO.

CONTENTS

SHEET NO.

ISSUE

SHEET NO.	ISSUE																	
	20	21	22	23	24	25	26	27	28	29	30	31	32	33	34	35	36	37
1																		
2																		
3																		
4																		
5																		
ISS. NO. →	2	3	4	5	6	7	8	9	10	11	12	13	14	15	16	17	18	19
1															30	31		
2															23	23		
3															24	24		
4															24	24		
5															26	26		

REVISIONS APPLYING TO THIS CONTROL RECORD

ISSUE	DATE	AUTH. NO.
1	5-26-67	84003
2	8-23-67	94003-10
3	8-25-67	94380D
4	12-21-67	95147-RC
5	1-16-68	94996-R
6	8-22-68	95993
7	1-27-69	96776
8	4-16-69	99079
9	5-22-69	99243
10	9-9-69	99474
11	9-17-69	99187
12	10-1-69	99557
13	2-11-70	99187-2
14	3-31-70	170
16	7-30-70	99957
18	1-22-71	419
17	5-14-71	2787

ISSUE CONTROL SHEET 1 OF 1

WD NUMBER 6353 WD
DRAWN JER CHKD.
ENGD. AS APPD.

TELETYPE CORPORATION

6353WD

REVISIONS		
ISSUE	DATE	AUTH. NO.
1	11-20-63	79265
2	1-6-64	79934
3	2-11-64	80310
4	3-16-64	81133
5	5-9-64	81772
6	7-17-64	81800
7	2-18-65	81999-1
8	3-18-65	85613
9	4-10-65	86373
10	6-6-65	86203
11	10-15-65	88983
12	12-17-65	89607
13	1-15-66	88841-3
14	3-9-66	89721-1
15	3-29-66	90790
16	5-10-66	90380
17	10-11-66	90771
18	10-19-66	92181
19	12-1-66	91561
20	5-26-67	94003
21	8-7-67	9409-B
22	8-23-67	94003-D
23	4-11-68	95703
24	5-20-68	95781
25	1-27-69	96776
26	4-16-69	99079
27	9-9-69	99474
28	10-1-69	99557
29	5-14-71	2787

SEE ISSUE CONTROL RECORD FOR COMPLETE LIST OF SHEETS COMPRISING THIS W.D.

SHEET 1

ACTUAL WIRING DIAGRAM FOR MODEL 33 ASSEMBLY FOR DO SIGNAL LINE

APPROVALS	
D AND R H.J.K.	E OF M

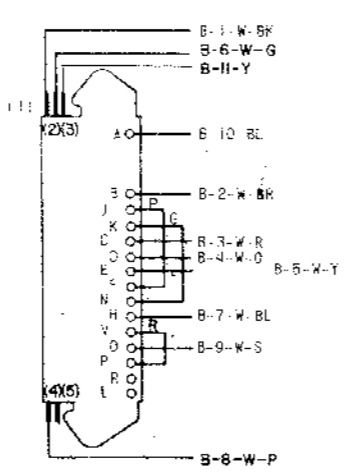
E-NUMBER	
PROD. NO.	
DATE	
P.D. FILE NO.	
DRAWN	CHKD.
ENGD.	APPD.

NOTE: REVISION INFORMATION MUST ALSO BE REFLECTED ON THE ISSUE CONTROL RECORD WHICH IS PART OF THIS W.D.

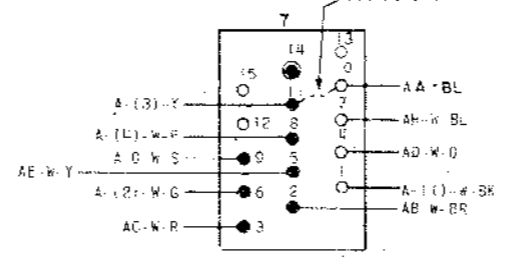
1. WIRING LEGEND:
DISTANT TERMINATING POINT
DISTANT TERMINATING DESTINATION
A-11-BK (20-3) NOTE 19
WIRE COLOR CODE
2. WIRE COLOR CODE:
BK - BLACK BR - BROWN Y - YELLOW G - ORANGE R - RED
BL - BLUE SLATZ S - GREEN P - PURPLE W - WHITE
3. FOR SCHEMATIC WIRING DIAGRAM SEE 5395WD.
4. THE SET IS SHOWN WIRED FOR SIMPLEX 1000 AMP. NEUTRAL SIGNAL LINE ON TERMINALS 6 AND 7 OF THE (5-4) TERMINAL STRIP. FOR 500 AMP NEUTRAL SIGNAL LINE MOVE THE P WIRE FROM TERMINAL 8 TO TERMINAL 9 OF THE (5-4) TERMINAL STRIP. ALSO MOVE THE BL WIRE FROM TERMINAL 3 TO 4 ON THE POWER RESISTOR.
5. FOR FULL DUPLEX OPERATION CONNECT THE SEND SIGNAL LINE TO TERMINALS 4 & 3 OF THE (5-4) TERMINAL STRIP. MOVE THE 4-BL WIRE FROM TERMINAL 4 TO 5 AND THE BR-Y WIRE FROM TERMINAL 3 TO 5 ON THE (5-4) TERMINAL STRIP.
6. TERMINAL DESIGNATIONS ENCLOSED IN PARENTHESES ARE NOT MARKED ON THE COMPONENT.
7. ASSOCIATED CABLE ASSEMBLY 181820.
8. ON R.O. SETS SUBSTITUTE 181838 CABLE ASSEMBLY ON CONNECTOR "7".
9. 181827 CABLE ASSEMBLY USED ON 181820 CABLE ASSEMBLY.
10. USE 181825 STRAPS ON ASSEMBLY.
11. IF EITHER X OFF OR WRU FUNCTION CONTACT IS NOT USED THE CONTACT SHOULD BE JUMPED OUT (UXB01).
12. 181839 PLUG ASSEMBLY USED ON ASR SETS. (UX 800)
13. THESE WIRES ARE IN THE DISTRIBUTOR CABLE AS SPARES.
14. WIRING DESIGNATED "(NOTE 14)" APPLIES TO UNITS WITHOUT CK FUSE HOLDER.
15. WIRING DESIGNATED "(NOTE 15)" APPLIES TO UNITS WITH CK FUSE HOLDER.
16. FUSE VALUES ARE AS FOLLOWS:
TRANSFORMER FUSE PART NO.
181879 1/2 AMP. 117176
182057 3/10 AMP. 162350
17. WIRING SHOWN FOR KAKE, BK KC IS FOR EVEN PARITY KEYBOARDS.
18. FURNISH 115V AC 10%, 60 HZ, EXCEPT 50 HZ ON 33TAB KSR, AND 33TAC, TOK, TDM, TES, ASR SETS.
19. WIRING STATUS:
RECTANGULAR BOX INDICATES HISTORY OF WIRING CHANGES.
NOTE: B-DENOTES WIRING BEFORE AND A WIRING AFTER THE CHANGE DESCRIBED BY THE DESIGNATED NOTE. ENTERED THE PROLOGY.
20. 185731 STRAP AND FUSE ASSEMBLY NOT INCLUDED IN EARLY SETS.
MOTOR FUSE VALUE FUSE PART NO.
182241 2.0 AMP. 138538
182207 1.8 AMP. 320346
21. * DENOTES 20 GA. WIRE
** DENOTES 18 GA. WIRE
22. WIRING REARRANGED TO AVOID CRIMPING TWO 20GA WIRES IN ONE TERMINAL.
23. 60 CYCLE READER TRIP COIL RESISTANCE IS 630Ω. 50/60 CYCLE READER TRIP COIL RESISTANCE CHANGED FROM 630Ω TO 780Ω. FOR IMPROVED 50 CYCLE OPERATION.
24. THE 186163 CABLE ASSEMBLY AND PAPER ALARM SWITCH ARE USED ON UP827 ONLY.
25. MAY NOT BE FOUND ON EARLIER UNITS.
26. THE 184156 CABLE ASSEMBLY AND PAPER ALARM SWITCH ARE USED ON UP837.
27. THE ACK AND THE WRU CONTACTS ARE NOT USED ON UP 837.
28. FOR CUSTOMER USE REQUIRES 48 VAC POWER.
29. THE 186546 CABLE ASSEMBLY IS USED ON UP856.

NOTES CONTINUED ON ISSUE CONTROL SHEET

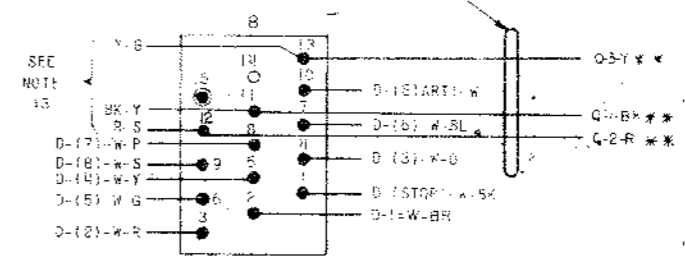
A
KEY BOARD CONTACT BLOCK



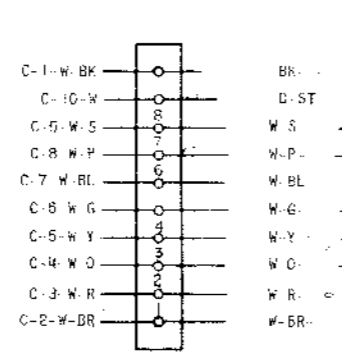
B
CONNECTOR PLUG
KEYBOARD
182540



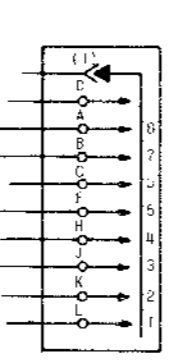
C
CONNECTOR PLUG
DISTRIBUTOR
182540



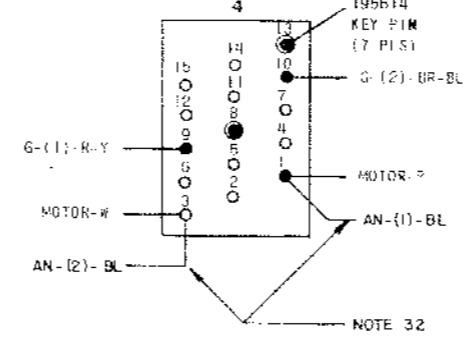
D
DISTRIBUTOR
DISC



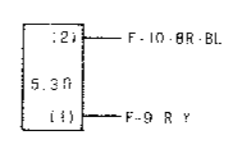
E
ANSWER BACK
BLOCK



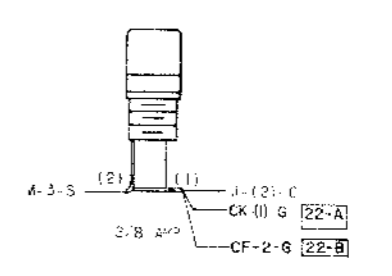
F
CONNECTOR PLUG
(PRINTER)
182540



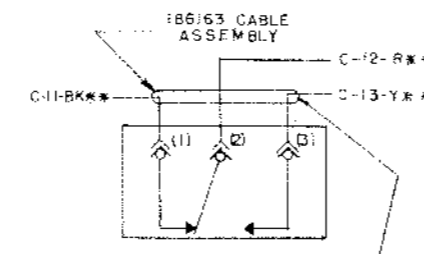
G
SELECTOR
COIL
180715



H
FUSE
HOLDER
182661

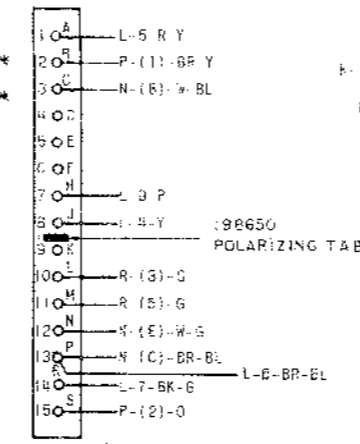


Q
PAPER ALARM
SWITCH
NOTE 24

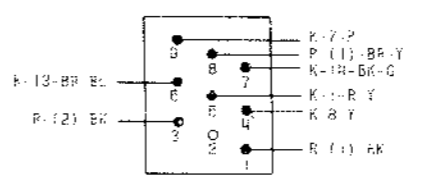


NOTE 26

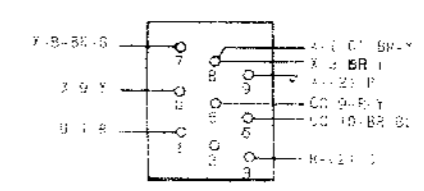
K
S.M.D CARD CONNECTOR -
RECEPTACLE
181819



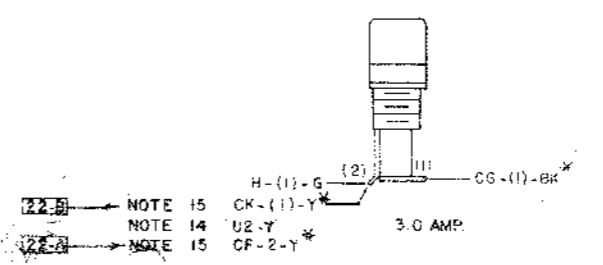
L
CONNECTOR PLUG
S.M.D
182716



M
CONNECTOR RECEPTACLE
(UCC6){UCC 36}
182645



J
FUSE
HOLDER
182661



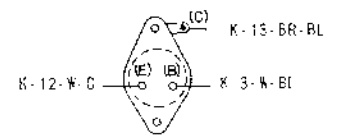
NOTE 15 CK-(1)-Y
NOTE 14 U2-Y
NOTE 15 CF-2-Y

NOTE
REVISION INFORMATION MUST ALSO BE
REFLECTED ON THE ISSUE CONTROL REC-
ORD WHICH IS A PART OF THIS DRAWING.

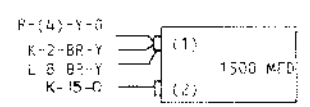
REVISIONS		
ISSUE	DATE	AUTH. NO.
22	5-7-68	95523-4
23	5-21-69	99243
24	10-1-69	99557
25	3-4-70	99947.1
26	1-15-71	736
27	1-22-71	419

SEE SHEET 1 FOR NOTES

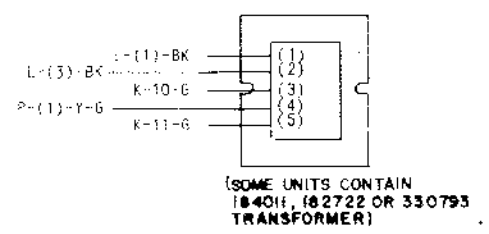
N
TRANSISTOR
POWER
181675



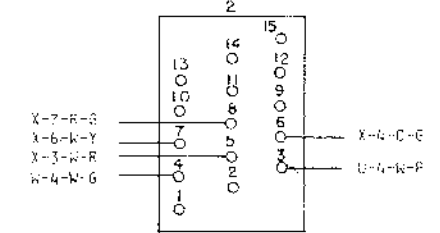
P
CAPACITOR
182501



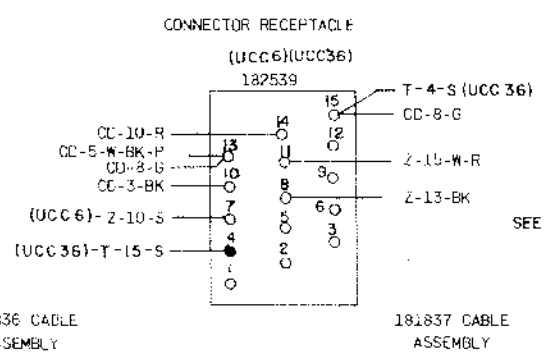
R
TRANSFORMER
337992



S
CONNECTOR RECEPTACLE
(UCC6)(UCC36)
182539



T

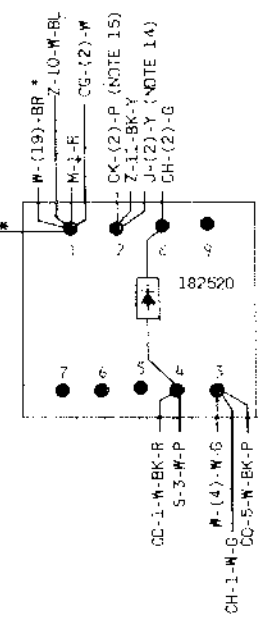


181836 CABLE
ASSEMBLY

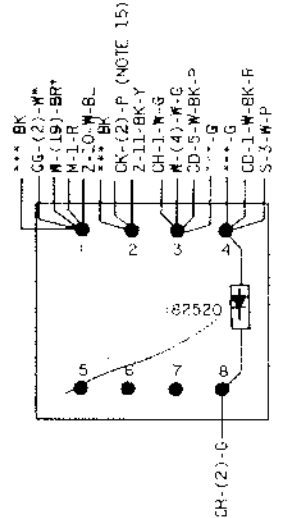
181837 CABLE
ASSEMBLY

182761 CABLE
ASSEMBLY

U
TRANSFORMER
181879

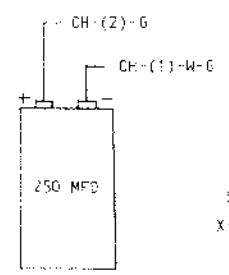


U
TRANSFORMER ASSEMBLY
(NOTE 39)
186651

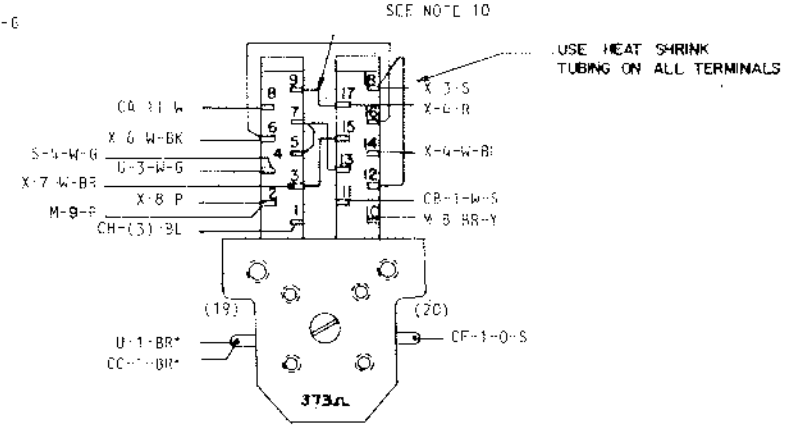


*** DENOTES TRANSFORMER LEADS

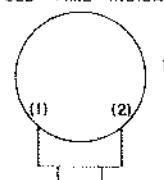
V
CAPACITOR
181814



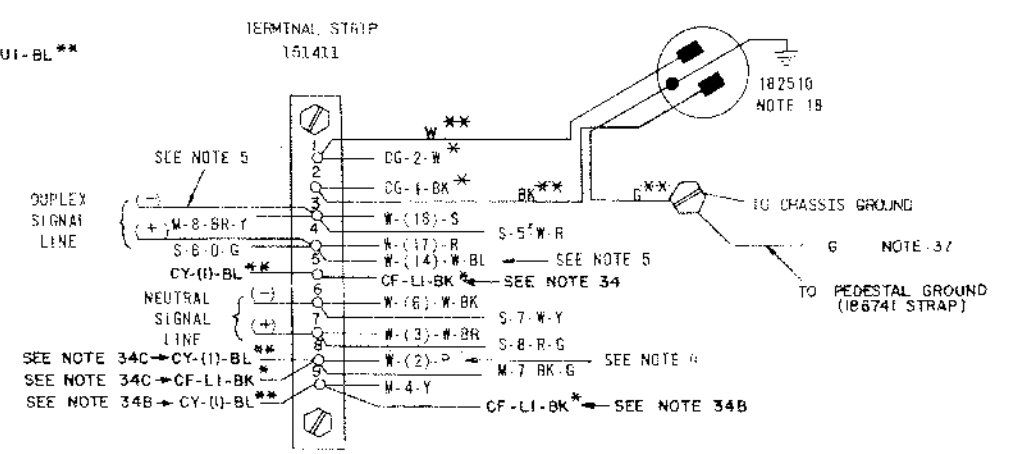
W
LINE RELAY
181610



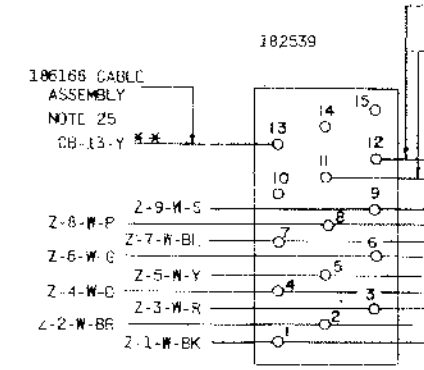
CY
ELAPSED TIME INDICATOR



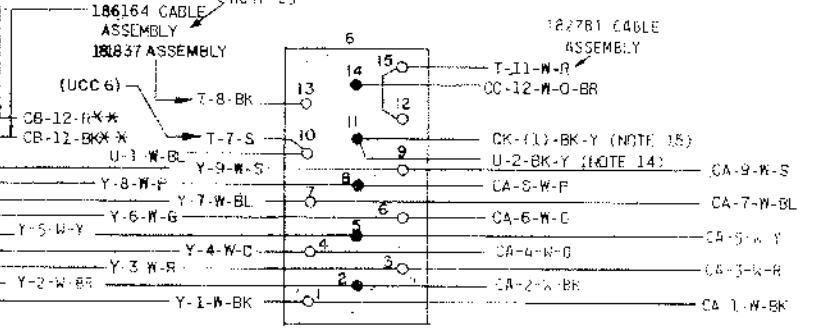
X



Y
CONNECTOR RECEPTACLE
(UCC36)(UCC6)
182539



Z
CONNECTOR RECEPTACLE
(UCC6)(UCC36)
182539

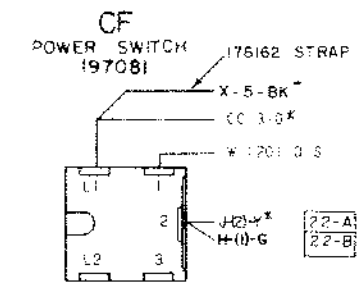
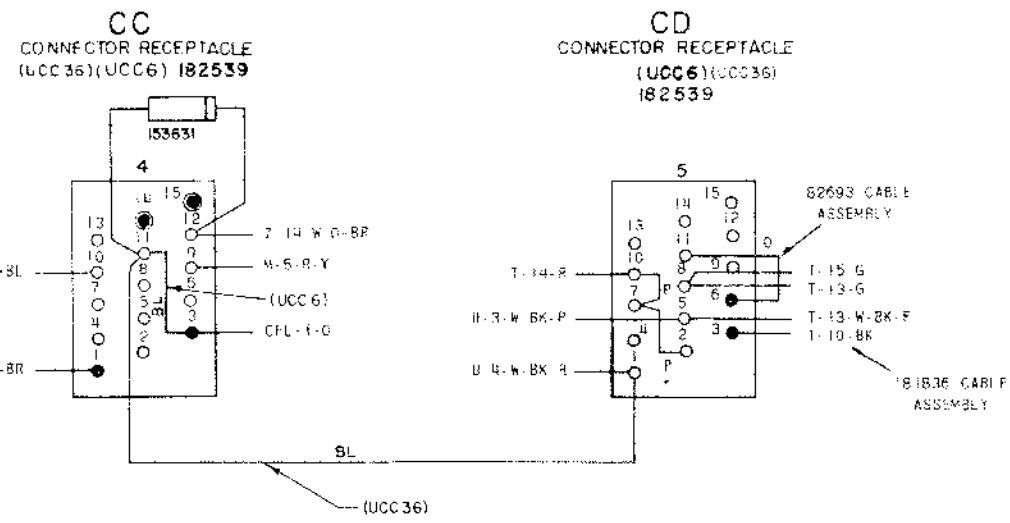
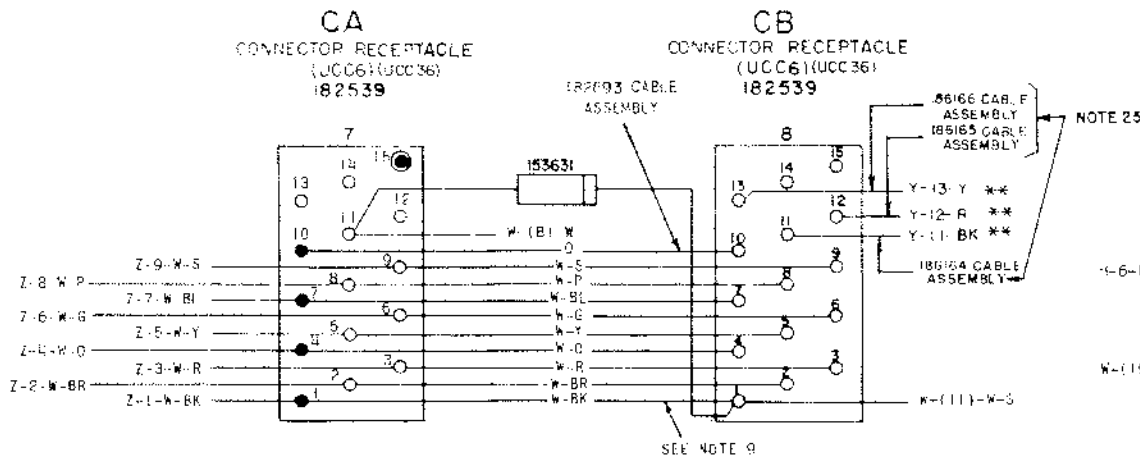


SEE ISSUE CONTROL RECORD FOR COM-
PLETE LIST OF SHEETS COMPRISING THIS:
WD SHEET 2

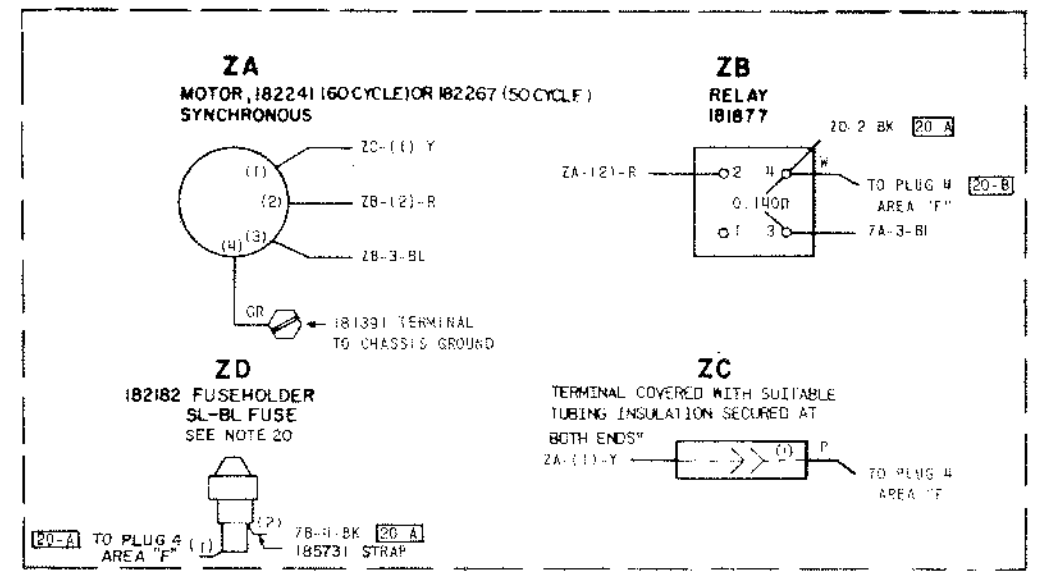
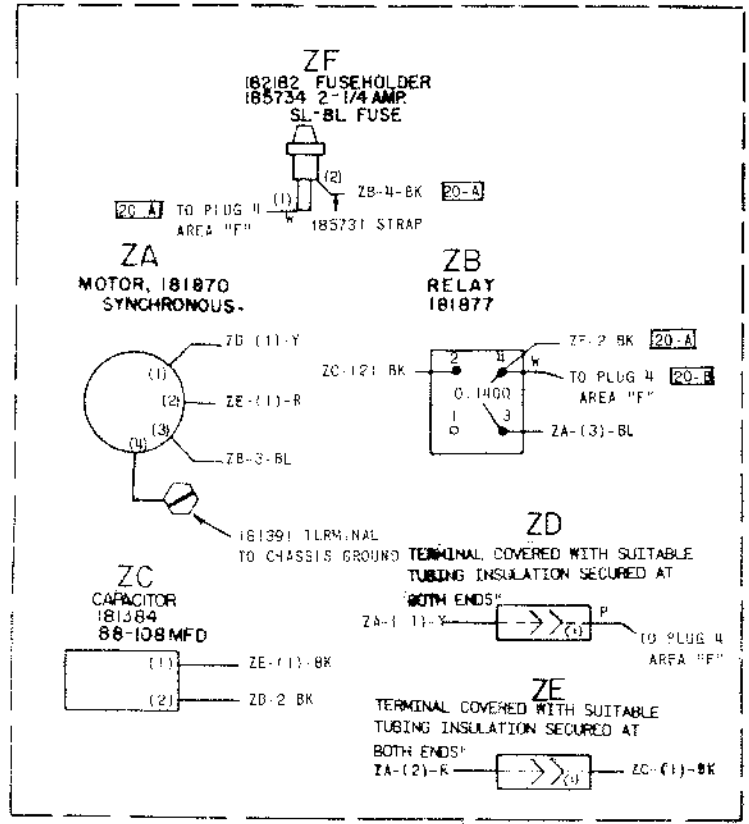
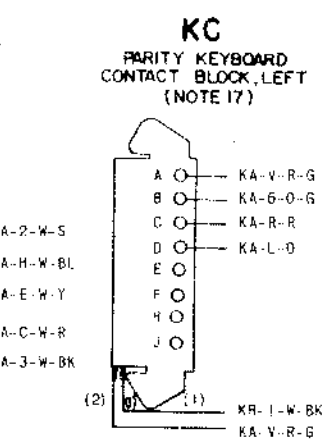
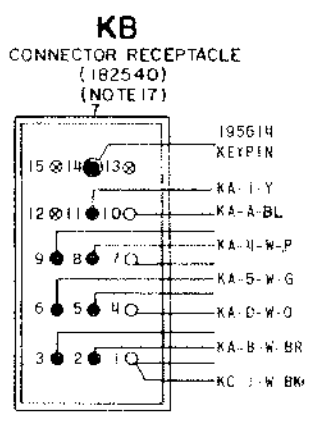
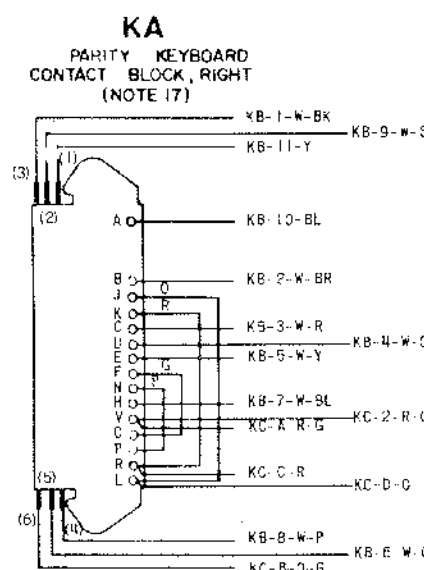
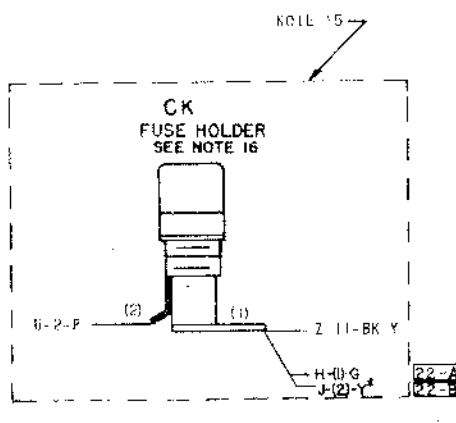
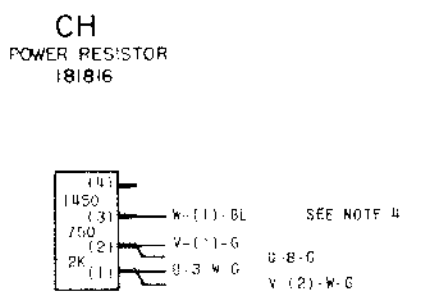
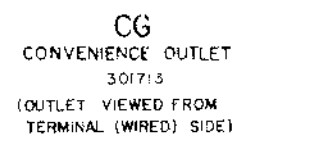
ACTUAL
WIRING DIAGRAM
FOR
MODEL 33 - ASR, KSR, RD
FOR
DC SIGNAL LINE

APPROVALS	
D AND R	E OF M
H.K.	
E-NUMBER	
PROD. NO. 6354WD	
DATE 9-25-63	
P.D. FILE NO. 2-30-152/153AR	
DRAWN BY	CHKD.
ENGD. PRJ.	APPD.

SEE SHEET 1 FOR NOTES



6354WD		
REVISIONS		
ISSUE	DATE	AUTH. NO.
18	5-29-66	90965
19	10-11-66	90771
20	5-29-67	94003
21	8-21-67	94003-1D
22	5-22-69	99243
23	10-11-69	95557
24	2-18-70	99947-4
25	3-4-70	99947-1
26	12-9-70	2145



SEE ISSUE CONTROL RECORD FOR COMPLETE LIST OF SHEETS COMPRISING THIS W.D.

SHEET 3

ACTUAL WIRING DIAGRAM FOR MODEL 33 ASR, KSR, RD FOR DC SIGNAL LINE

APPROVALS

D AND R	E OF M
HJK	

E-NUMBER

PROD. NO. 6354WD

DATE 9-25-63

P.D. FILE NO. 2-30.152/153AA

DRAWN C.G. CHKD.

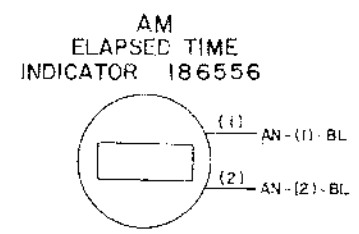
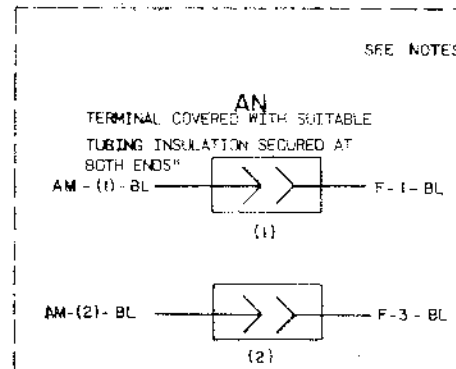
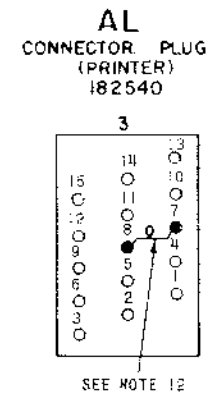
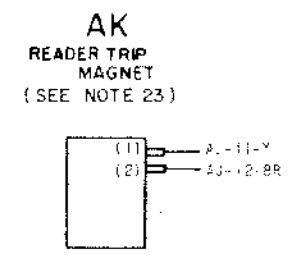
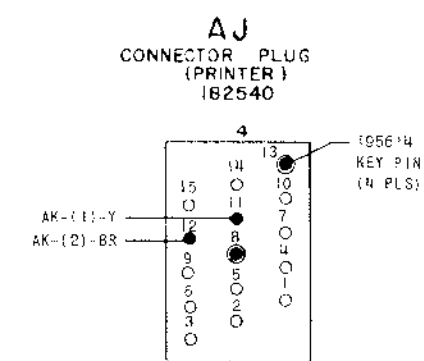
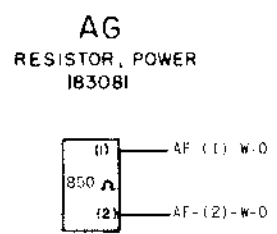
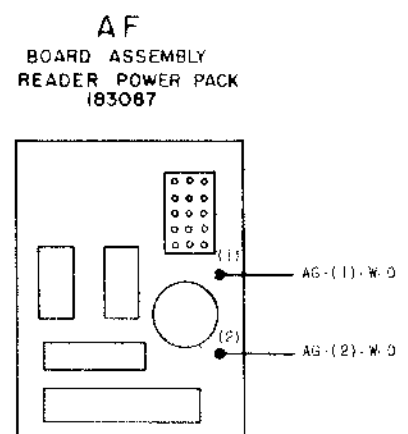
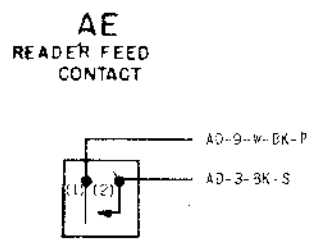
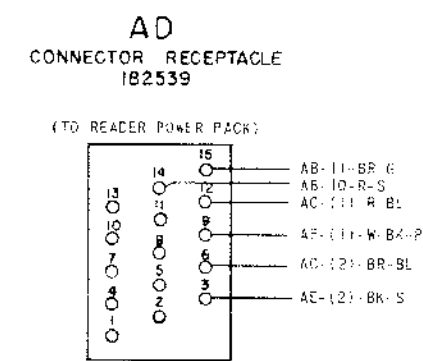
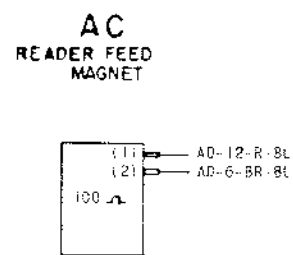
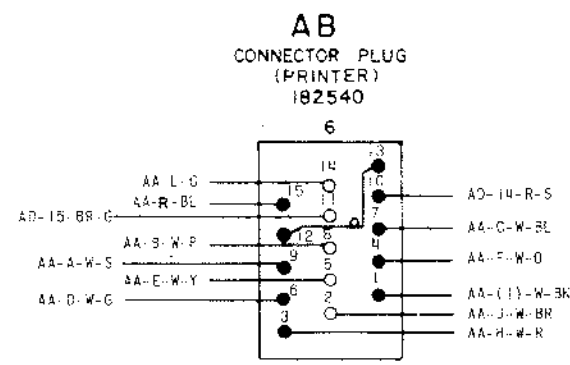
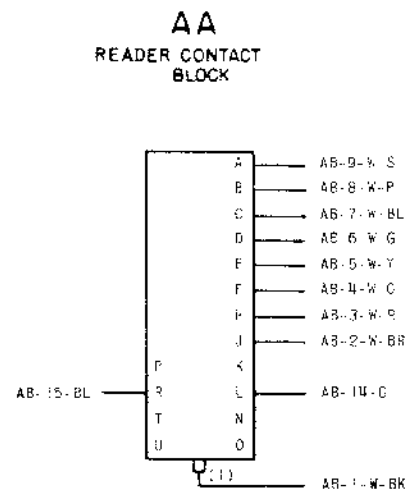
ENGC. PR.S APPD.

TELETYPE CORPORATION

6354WD

NOTE:
REVISION INFORMATION MUST ALSO BE REFLECTED ON THE ISSUE CONTROL RECORD, WHICH IS PART OF THIS W.D.

6354WD		
REVISIONS		
ISSUE	DATE	AUTH. NO.
A 2	11-20-63	70256
B 3	RECORD ONLY	
C 4	3-15-64	51132
D 5	4-9-64	61640
E 6	11-27-64	84602
F 7	10-19-66	92181
G 8	1-27-69	96776
H 9	2-18-70	99947-4
I 10	12-9-70	2145



SEE ISSUE CONTROL RECORD FOR COMPLETE LIST OF SHEETS COMPRISING THIS W.D.

SHEET 4

ACTUAL WIRING DIAGRAM FOR MODEL 33 ASR, KSR, RO FOR DC SIGNAL LINE

APPROVALS

D AND R H.J.K.	E OF M <i>[Signature]</i>
-------------------	------------------------------

E-NUMBER

PROD. NO. 535403

DATE 9-25-63

P.D. FILE NO. 2 GP 152-153A7

DRAWN C.G. CHKD.

ENGD. P.S.S. APPD.

TELETYPE CORPORATION

6354WD

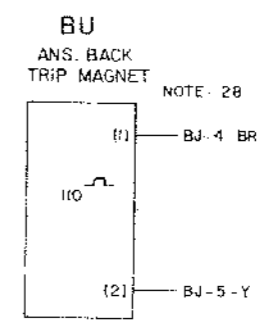
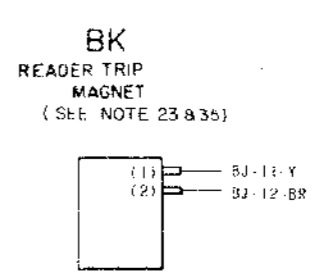
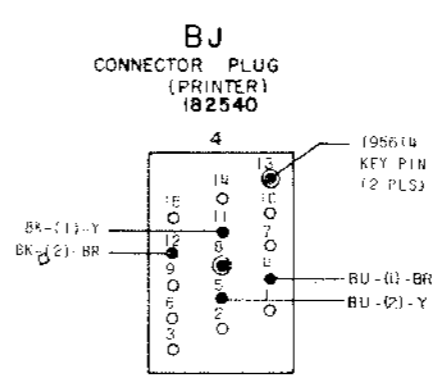
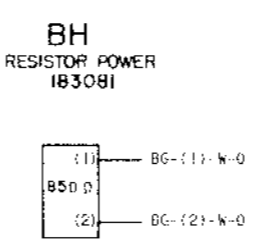
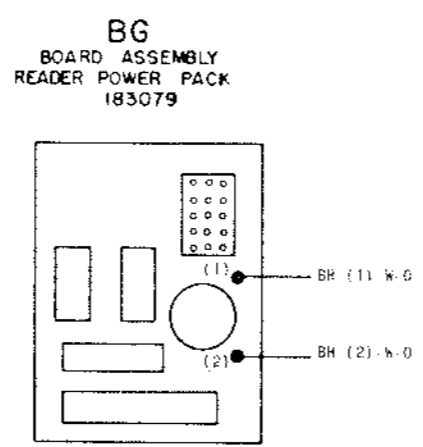
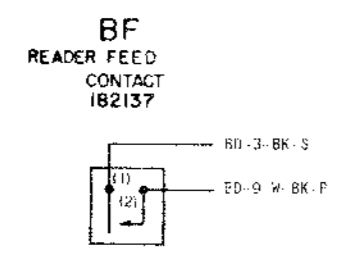
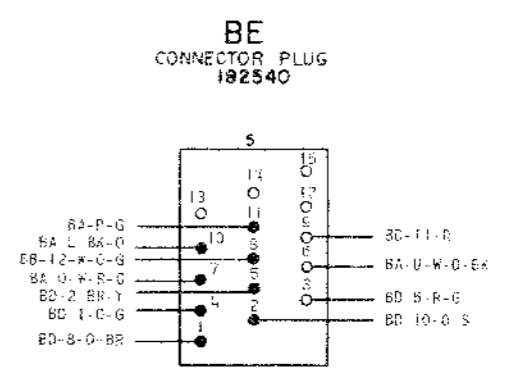
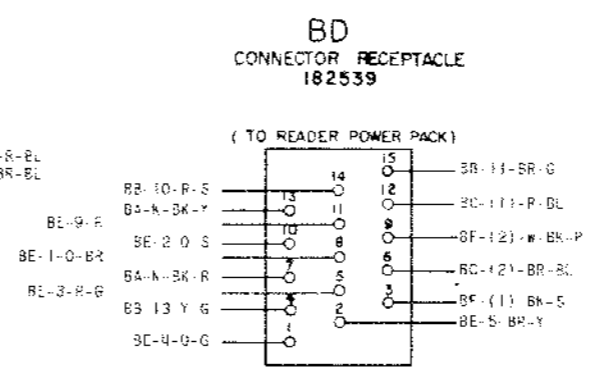
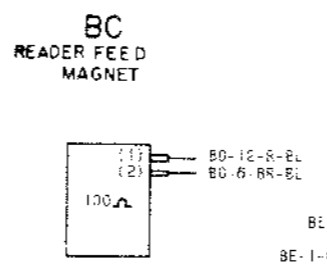
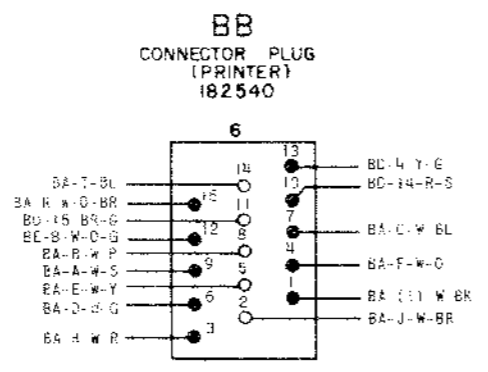
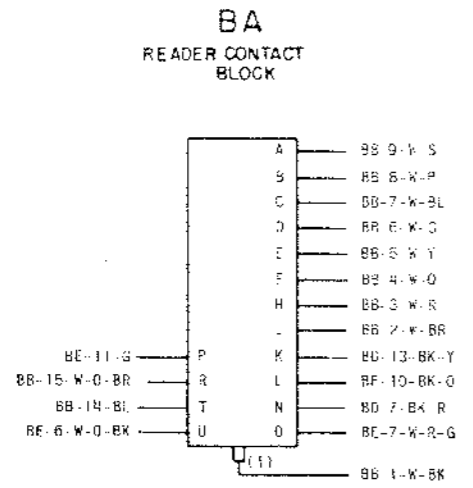
REVISIONS

ISSUE	DATE	AUTH. NO.
A	11-20-63	79268
B	RECORD ONLY	
C	3-18-64	81133
D	4-9-64	31543
E	11-27-64	84802
F	10-19-66	92161
G	4-11-68	95703
H	5-20-68	95781
I	4-23-69	96776
J	10-1-69	99557

SEE SHEET 1 FOR NOTES

AUTOMATIC READER
UX 801

NOTE:
REVISION INFORMATION MUST ALSO
BE REFLECTED ON THE ISSUE
CONTROL RECORD, WHICH IS PART
OF THIS W.D.



SEE ISSUE CONTROL RECORD FOR
COMPLETE LIST OF SHEETS
COMPRISING THIS W.D.

SHEET 5

WDP

ACTUAL
WIRING DIAGRAM
FOR
MODEL 33
ASR, KSB, RO
DC SIGNAL LINE

APPROVALS

D AND R H.J.K.	E OF M
-------------------	------------

E-NUMBER

PROD. NO. 6354WD

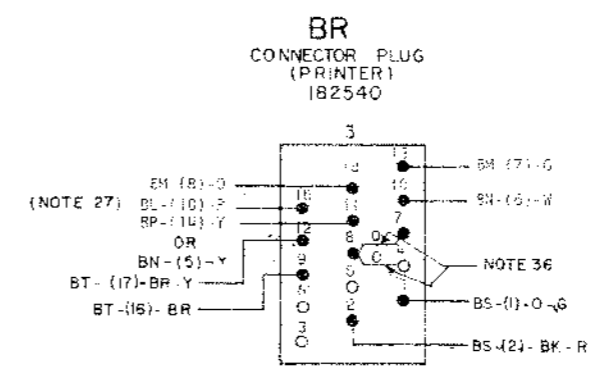
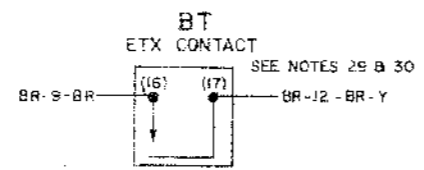
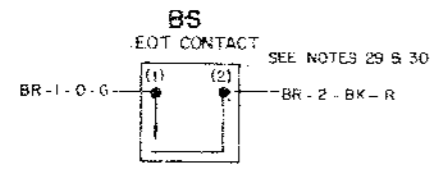
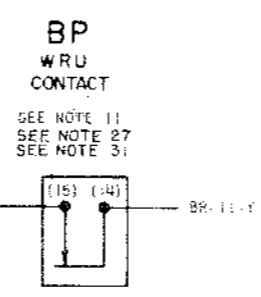
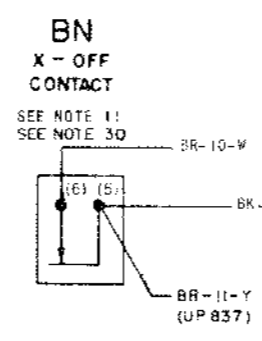
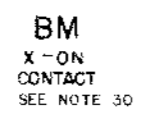
DATE

P.D. FILE NO. 2-26-152-15344

DRAWN C.R. CHKD.

ENGD. J.R.S. APPD.

TELETYPE
CORPORATION



6354 WD

ISSUE CONTROL RECORD

NO.	NOTES	SUPPORTING INFORMATION		CONTENTS
		CATEGORY	NO.	
30	THE 186543 CABLE ASSEMBLY IS USED ON UP848.			
31	THE WRU CONTACT IS NOT WIRED ON UP848.			
32	THE 186564 CABLE ASSEMBLY IS USED ON UP848 AND UP856.			
33	THE 186556 ELAPSED TIMER ASSEMBLY AND THE 81891 SLEEVES ARE USED ON UP848 AND UP856.			
34	<p>THE 182044 ELAPSED TIMER KIT IS USED ON MODELS 33TDH, TDP, AND IS FACTORY WIRED AS SHOWN FOR O20A OR O60A HALF DUPLEX OPERATION.</p> <p>FULL DUPLEX O60A IF THIS OPTION IS DESIRED FOR USE WITH THE 182044 ELAPSED TIMER KIT (REFER NOTE 5). DISCONNECT TAPE AND TIE BACK THE YELLOW WIRE THAT IS PRESENTLY CONNECTED AT TERMINAL 9 AND RE-LOCATE THE TIMER LEAD CY-1-BL AND THE 175162 STRAP FROM TERMINAL 5 OF THE "X" TERMINAL STRIP TO TERMINAL 9.</p> <p>FULL DUPLEX O20A IF THIS OPTION IS DESIRED FOR USE WITH THE 182044 ELAPSED TIMER KIT (REFER NOTES 4 & 5). DISCONNECT TAPE AND TIE BACK THE BLACK-GREEN WIRE THAT IS PRESENTLY CONNECTED AT TERMINAL 8 AND RE-LOCATE THE TIMER LEAD CY-1-BL AND THE 175162 STRAP FROM TERMINAL 5 OF THE "X" TERMINAL STRIP TO TERMINAL 8.</p>			
35	275 M - 48VAC - 110 Ω 300M - 115VAC - 780 Ω			
36	WHEN A SET CONTAINS A UP848 IT WILL BE NECESSARY TO REMOVE THE 182692 STRAP BETWEEN TERMINALS 7&8 AND REPLACE IT WITH THE 182693 STRAP BETWEEN TERMINALS 4&6.			
37	OLDER SETS NOT EQUIPPED WITH PEDESTAL GROUND STRAP			
38	OLDER STYLE CONVENIENCE OUTLET MECHANICALLY GROUNDED.			
39	WIRING APPLIES TO UNITS WITH 186651 TRANS. ASSEM. (TRANS. PART NO. 186648)			

SHEET NO.	ISSUE																		
	2	3	4	5	6	7	8	9	10	11	12	13	14	15	16	17	18	19	
1	X	X	X	X	X	X	X	X	X	X	X	X	X	X	X	X	X	X	
2	X	X	X	X	X	X	X	X	X	X	X	X	X	X	X	X	X	X	
3	X	X	X	X	X	X	X	X	X	X	X	X	X	X	X	X	X	X	
4	X	X	X	X	X	X	X	X	X	X	X	X	X	X	X	X	X	X	
5	X	X	X	X	X	X	X	X	X	X	X	X	X	X	X	X	X	X	

REVISIONS APPLYING TO THIS CONTROL RECORD		
ISSUE	DATE	AUTH. NO.
1	3-9-66	9972
2	3-29-66	90790
3	5-10-66	90386
4	6-29-66	90965
5	10-1-66	90771
6	10-19-66	92161
7	5-25-67	94003
8	8-7-67	94091-6
9	8-23-67	94003-10
10	2-28-68	95607
11	4-11-68	95703
12	5-6-68	95923-4
13	5-21-68	95701
14	1-27-69	96776
15	4-16-69	99079
16	5-22-69	99243
17	9-9-69	99474
18	10-1-69	99557
19	10-16-69	99725
20	10-17-69	99716
21	2-18-70	99947-4
22	3-4-70	99947-1
23	12-9-70	2145
24	1-18-71	736
25	1-22-71	419
26	5-14-71	2787

ISSUE CONTROL SHEET 1 OF 1

ACTUAL WIRING DIAGRAM FOR MODEL 33 ASR, KSR, RO FOR DC SIGNAL LINE

WD NUMBER 6354WD

DRAWN _____ CHKD. _____

ENGD. *PR 5* APPD. *N A J*

TELETYPE CORPORATION

6354 WD

NO	NOTES
1	REFER TO 6557WD FOR CARD MARKING INFORMATION.
2	R4 SE R2 5, 6, 7, 8 - 1122 TO 116 ABOVE CIRCUIT CARD

UL RECOGNITION SYMBOL REQUIRED PER MR 2001.

CIRCUIT DESCRIPTION

THE SELECTOR MAGNET DRIVER CIRCUIT IS POWERED FROM A SOURCE OF 117 VOLTS AC TERMINAL 10 CURRENT THROUGH A STEP DOWN ISOLATION TRANSFORMER. DIODES CR1 AND CR2 PROVIDE FULL WAVE RECTIFICATION OF THE REDUCED VOLTAGE TO 170 VOLTS DC AT TERMINAL 15. THE CIRCUIT COMMON IS CONNECTED TO TERMINAL 2 AND A POWER SUPPLY FILTER CAPACITOR IS CONNECTED BETWEEN TERMINALS 2 AND 15.

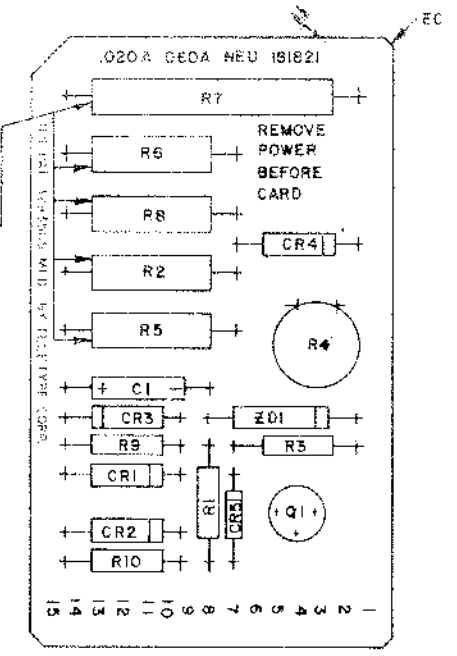
THE DIRECT CURRENT SIGNAL LINE CIRCUIT IS CONNECTED THROUGH TERMINALS 14 OR 8 AND 7 DEPENDING ON LINE CURRENT. TERMINAL 7 STRAPPED EXTERNALLY TO TERMINAL 14 OR 8 DEPENDING ON LINE CURRENT.

IN THE MARKING CONDITION, Q1 IS OFF-BIASED. WITH Q1 OFF, THE BASE OF Q2 WILL BE CLAMPED AT THE ZENER REFERENCE VOLTAGE BY DIODE CR4. THIS VOLTAGE CLAMP IS THEN TRANSLATED TO CURRENT REGULATION BY THE TRANSISTOR ACTION OF Q2. THE REGULATED MAGNET CURRENT IS ADJUSTED TO 500 AMPERES BY RHEOSTAT R4.

WITH THE SIGNAL LINE IN THE OPEN OR SPADING CONDITION, Q1 IS TURNED ON BY BASE CURRENT SUPPLIED THROUGH RESISTOR R3. THE POTENTIAL AT THE COLLECTOR OF Q1 WILL BE NEAR ZERO OFF-BIASING Q2. WITH Q2 OFF, NO SELECTOR MAGNET CURRENT FLOWS, ALLOWING THE MAGNET TO RELEASE. DURING THE TURN OFF OF Q2, THE INDUCTIVE TRANSIENT DEVELOPED AT THE COLLECTOR IS SUPPRESSED BY THE NETWORK CONSISTING OF CR3, R9 AND C1.

SNAP ACTION IS SUPPLIED TO THE CIRCUIT TRANSITIONS BY FEEDBACK IN THE EMITTER CIRCUIT OF TRANSISTOR Q1.

SEE NOTE 2



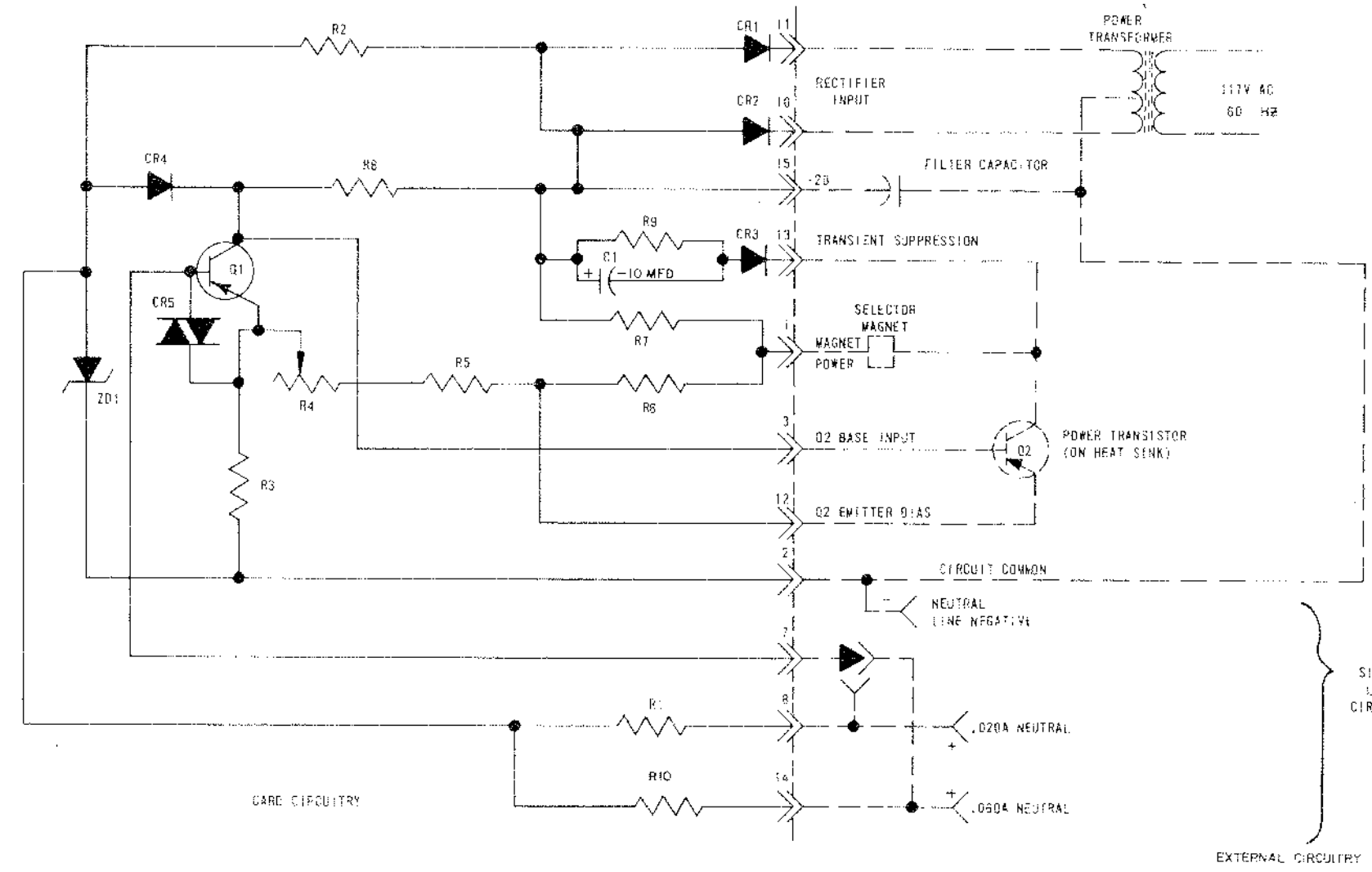
CIRCUIT BOARD EC

REF. DESIGN.	TELETYPE PART NO.	QTY	NAME AND DESCRIPTION	LOCATING FUNCTION
R1	182719	1	RESISTOR 420 OHMS 1/2W	Q1 AMP SWITCHING
R10	182727	1	RESISTOR 105 OHMS 1/2W	Q2 AMP SWITCHING
R2	181659	1	RESISTOR 330 OHMS 1/2W	ZENER CURRENT LIMITING
R3	182778	1	RESISTOR 0.37 OHMS 1/2W	COMMON EMITTER BIAS
R4	182773	1	RHEOSTAT 3 OHMS 2.5W	OUTPUT CURRENT ADJUST
R5	181727	1	RESISTOR 8 OHMS 5W	Q2 EMITTER BIAS
R6	182770	1	RESISTOR 270 OHMS 4W	Q2 EMITTER BIAS
R7	182772	1	RESISTOR 14 OHMS 10W	Q2 COLLECTOR LOAD
R8	182627	1	RESISTOR 390 OHMS 4W	Q1 COLLECTOR LOAD
R9	182776	1	RESISTOR 150 OHMS 1/2W	Q2 COLLECTOR TRANSIENT LIMITING
CR1	182520	2	DIODE 1N3193	POWER RECTIFIER
CR2	182520		SAME AS CR1	POWER RECTIFIER
CR3	181619	2	DIODE 1N482	COLLECTOR TRANSIENT LIMITING
CR4	181619		SAME AS CR3	VOLTAGE CLAMPING
CR5	178844	1	VARIABLE 100A	INPUT PROTECTION
ZD1	182774	1	DIODE ZENER 4.7V 5.1W	REFERENCE
C1	182628	1	CAPACITOR 10 MFD 25W VDC	COLLECTOR TRANSIENT LIMITING
Q1	181671	1	TRANSISTOR HIGH GAIN	INPUT SWITCH
EC	181823	1	CIRCUIT BOARD ETCHED	

181823

REVISIONS		
ISSUE	DATE	AUTH. NO.
1	4-15-65	86501
2	9-19-66	88815
3	11-25-66	88816-1
4	5-5-67	93502
5	4-2-68	98450
6	7-5-68	98835
7	11-6-68	98836
8	12-20-68	98866
9	4-5-71	9320

CONSTANT CURRENT 500 AMP SELECTOR MAGNET DRIVER



APPROVALS

R. G. D.	E. G. M.
<i>H.S.K.</i>	

E-NUMBER
 PROD NO. 181821
 DATE 4-28-67
 R&D FILE 7-30152/153AA
 DRAWN JER-CG CHKD. N.A.V.
 ENGR AS-PES APFD J.W.

TELETYPE CORPORATION
 181821

182630-35

REVISIONS

ISSUE	DATE	AUTH. NO.
2	8-8-62	30-1232
3	11-27-62	30-5388
4	12-17-62	20-8445
5	1-23-63	30-8580
6	3-20-64	81340
7	5-21-64	81761
8	4-28-65	86807
9	8-10-65	86507-2
10	9-19-66	88818
11	10-23-66	88818-1
12	2-14-66	92190
13	2-7-67	93100
14	5-3-67	93302
15	6-20-68	19358-R
16	7-9-68	87946
17	12-20-68	98266
17a	7-1-71	10000

CIRCUIT CARD ASSEMBLY

REF. DESIG.	TELETYPE PART NO.	QTY.	NAME & DESIGNATION	LOCATING FUNCTION	USED ON	FOR
R1	182772	1	RESISTOR 420 OHMS 1/2W	Q2 AMP SWITCHING	182630	DATA NEUTRAL LINE
R2	182797	1	RESISTOR 130 OHMS 1/2W	Q20 AMP SWITCHING	182630	DATA
R3	182180	1	RESISTOR 200 OHMS 1/2W	Q20 AMP SWITCHING	92632	040A
R10	182777	1	RESISTOR 680 OHMS 1/2W	INPUT CURRENT LIMITING	182630	DATA SET OPERATION
R11	39603RV	1	STRAP	Q20 AMP SWITCHING	82621	05CA NEUTRAL LINE
R12	39603PM	1	STRAP	Q20 AMP SWITCHING	182632	040A
R2	181609	1	RESISTOR 330 OHMS 2 1/2W	ZENER CURRENT LIMITING		
R3	182778	1	RESISTOR 0.62 OHM 1/2W	COMMON EMITTER BIAS		
R4	182773	1	RHEOSTAT 3 OHMS 2 1/2W	OUTPUT CURRENT ADJUST		
R5	181717	1	RESISTOR 8 OHMS 5W	Q2 EMITTER BIAS		
R6	182770	1	RESISTOR 270 OHMS 4W	Q2 EMITTER BIAS		
R7	182772	1	RESISTOR 14 OHMS 10W	Q2 COLLECTOR LOAD		
R8	182627	1	RESISTOR 390 OHMS 4W	Q1 COLLECTOR LOAD		
R9	182775	1	RESISTOR 150 OHMS 1/2W	Q2 COLLECTOR LOAD		
CR1	182520	2	DIODE 1N3182	POWER RECTIFIER		
CR2	182520		SAME AS CR1	POWER RECTIFIER		
CR3	181619	2	DIODE 1N482	COLLECTOR TRANSIENT LIMITING		
CR4	181619		SAME AS CR3	VOLTAGE CLAMPING		
CR5	178044	1	VARIABLE 100A	INPUT PROTECTION		
CR6	199442	1	DIODE 1N270	SEE NOTE 7		
ZD1	182774	1	DIODE, ZENER 4.7V 5W 1W	REFERENCE		
Q1	182628	1	CAPACITOR 10 MFD 25WVDC	COLLECTOR TRANSIENT LIMITING		
Q2	181671	1	TRANSISTOR, HIGH GAIN	INPUT SWITCH		
EC	182775	1	CIRCUIT BOARD, ETCHED			

CIRCUIT DESCRIPTION

THE SELECTOR MAGNET DRIVER CIRCUIT IS POWERED FROM A SOURCE OF 117 VOLT ALTERNATING CURRENT THROUGH A STEP DOWN ISOLATION TRANSFORMER. DIODES CR1 AND CR2 PROVIDE FULL WAVE RECTIFICATION OF THE REDUCED VOLTAGE TO 20 VOLTS DC AT TERMINAL 15. THE CIRCUIT COMMON IS CONNECTED TO TERMINAL 2 AND A POWER SUPPLY FILTER CAPACITOR IS CONNECTED BETWEEN TERMINALS 2 AND 15.

THE DIRECT CURRENT SIGNAL LINE CIRCUIT IS CONNECTED THROUGH TERMINALS 7 AND 2. WITH AN ALTERNATE CONNECTION THROUGH R10 AT TERMINAL 14 PROVIDING A CURRENT LIMITING FUNCTION.

IN THE MARKING CONDITION, Q1 IS OFF-BIASED. WITH Q1 OFF, THE BASE OF Q2 WILL BE CLAMPED AT THE ZENER REFERENCE VOLTAGE BY DIODE CR4. THIS VOLTAGE CLAMP IS THEN TRANSLATED TO CURRENT REGULATION BY THE TRANSISTOR ACTION OF Q2. THE REGULATED MAGNET CURRENT IS ADJUSTED TO .500 AMPERES BY RHEOSTAT R4.

WITH THE SIGNAL LINE IN THE OPEN OR SPACING CONDITION, Q1 IS TURNED ON BY BASE CURRENT SUPPLIED THROUGH RESISTOR R1. THE POTENTIAL AT THE COLLECTOR OF Q1 WILL BE NEAR ZERO OFF-BIASING Q2. WITH Q2 OFF, NO SELECTOR MAGNET CURRENT FLOWS, ALLOWING THE MAGNET TO RELEASE DURING THE TURN OFF OF Q2 THE INDUCTIVE TRANSIENT DEVELOPED AT THE COLLECTOR IS SUPPRESSED BY THE NETWORK CONSISTING OF CR3, R9, AND C1.

"SNAP-ACTION" IS SUPPLIED TO THE CIRCUIT TRANSITIONS BY FEEDBACK IN THE EMITTER CIRCUITS OF TRANSISTORS Q1 AND Q2.

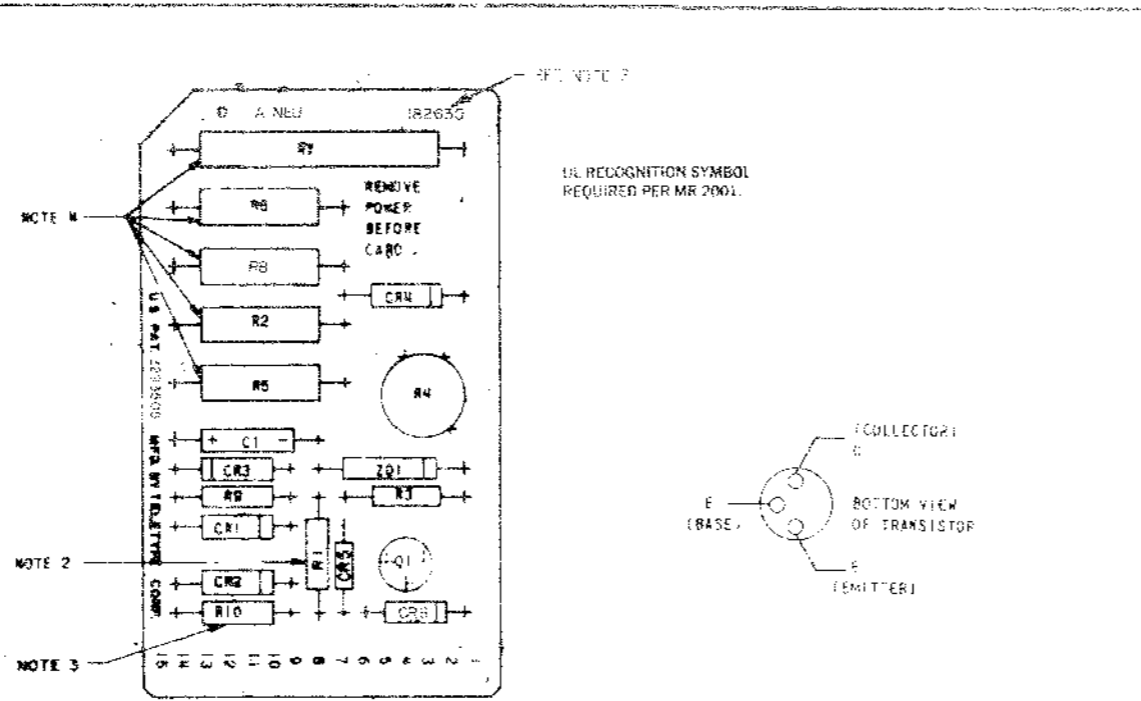
APPROVALS

D AND R	E OF M
HJK	

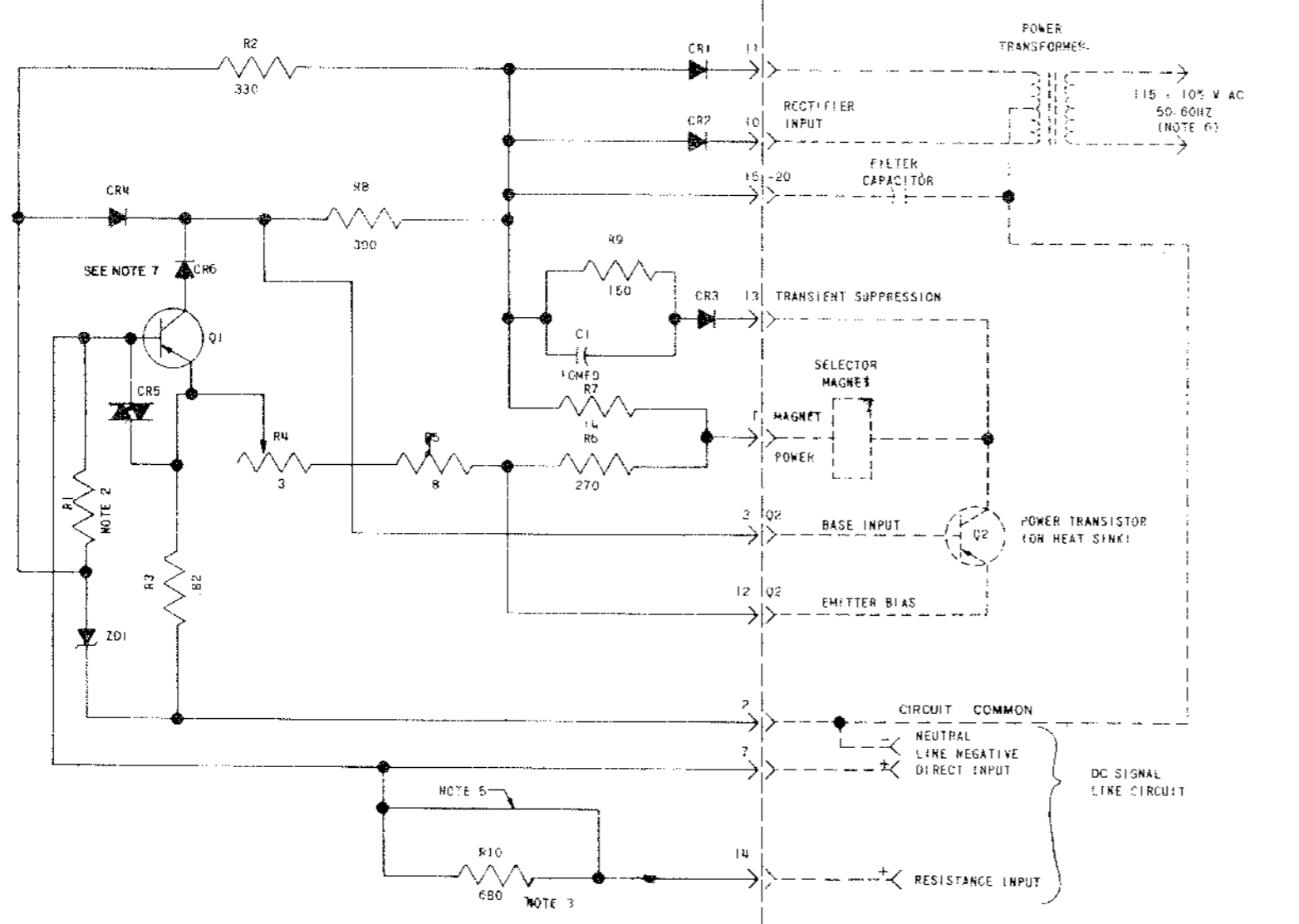
E-NUMBER
PROD. NO. 182630-35
DATE 6-2-62
P.D. FILE NO. 30-158444
DRAWN C.R. REG. CHKD.
ENGR. P.J.M. APPD.

TELETYPE CORPORATION

182630-35



CONSTANT CURRENT 500 SELECTOR MAGNET DRIVER



CARD CIRCUITRY

EXTERNAL CIRCUITRY

- REFER TO SOUND PAPER WORKING INFORMATION.
- THE SELECTION OF THIS RESISTOR DEPENDS ON THE APPLICATION IN WHICH THE OR VER IS TO BE USED.
- R10 IS USED ON 182630 ASSEMBLY ONLY.
- RAISE R2 0.6, 0.7 OR 1.32 TO 1.190 ABOVE C. R. 1 CARD.
- THE 30603RM STRAP IS USED ON THE 182631 AND 182632 ASSEMBLIES.
- SEE 59834d FOR APPROPRIATE POWER INPUT.
- DIODE CR6 WAS ADDED TO PROTECT Q1 FROM DESTRUCTION BY ACCIDENTAL GROUNDING OF THE COLLECTOR OF Q2 (181653 DIODE WAS USED FIRST BUT CHANGED TO 199442 TO REDUCE "LEAKAGE" CURRENT DURING SPACING PULSES).
- Q20 A NEU 182630
Q60 A NEU 182631
Q40A NEU 182632

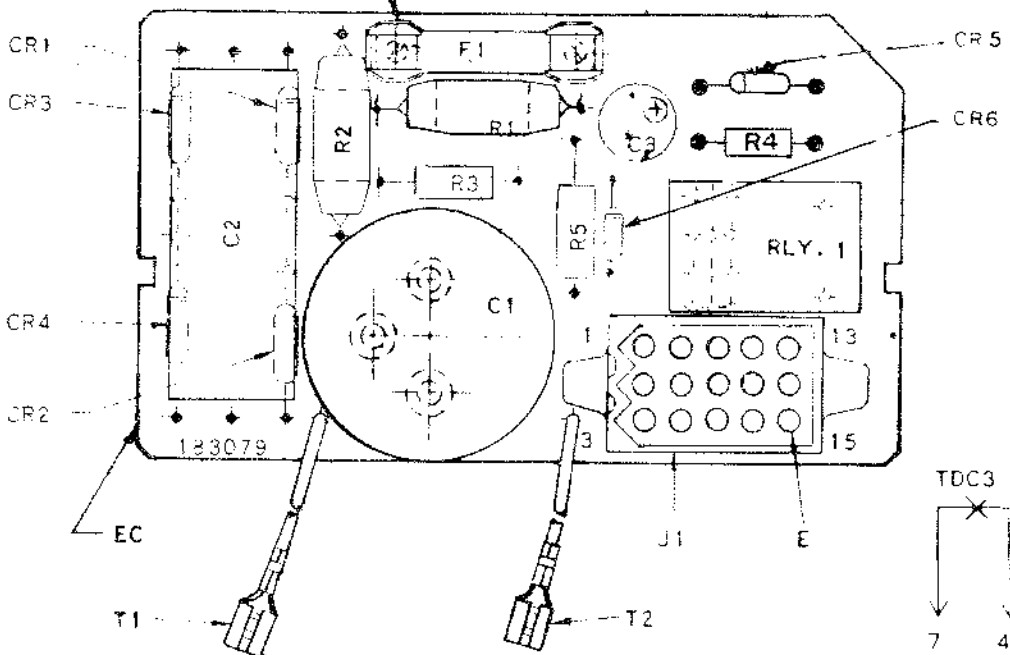
CONSTANT CURRENT 500 SELECTOR MAGNET DRIVER

NOTES

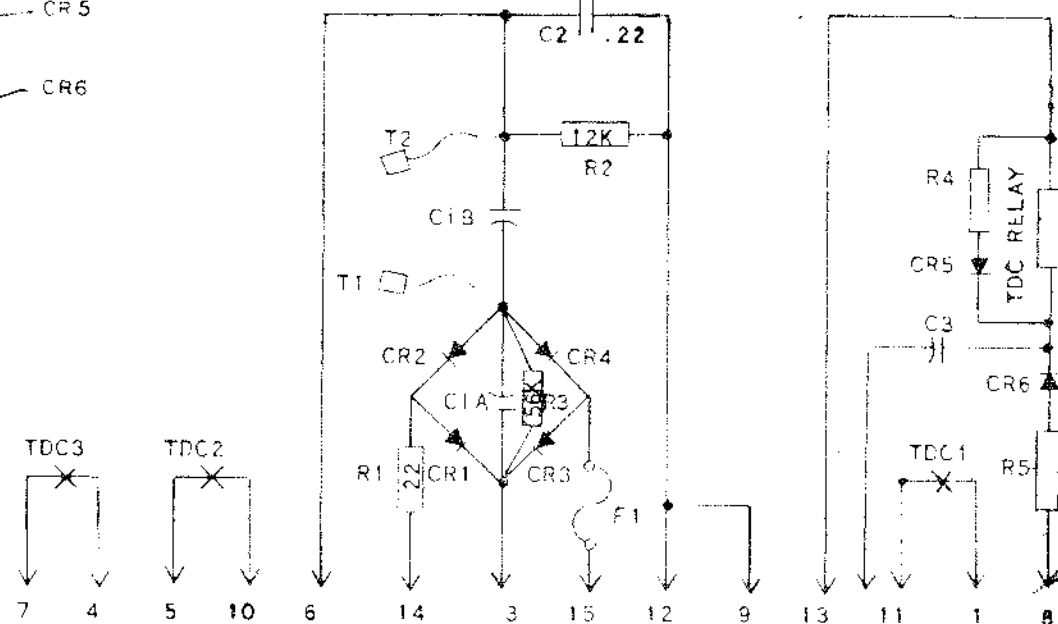
- REFER TO 7141 WD FOR MARKING INFORMATION
- SOME PREVIOUS CIRCUIT CARD ASSEMBLIES USED 1/2 AFB. 3/4 AFB. IS PREFERABLE

CIRCUIT CARD ASSEMBLY

183079



POWER PACK ASSEMBLY W/RELAY



PARTS REQ	NO REQ	USED ON	NO REQ
		182149	

REVISIONS		
ISSUE NO	DATE	AUTHOR
2	12-2-63	79461
3	5-8-64	80414
4	5-6-64	81899
5	7-29-66	88616-A
6	8-21-68	95993
7	10-8-68	96269-A
8	9-17-69	99187
9	2-10-70	99187-2
9A	3-3-71	2320

DESIGNATION	TELETYPE PART NO.	TOTAL QTY.	DESCRIPTION	FUNCTION
R1	183083	1	RESISTOR, 22 OHM	SURGE LIMITER
R2	183082	1	RESISTOR, 12,000 OHM	ARC SUPPRESSOR
C1	183078	1	CAPACITOR, DUAL SECTION A - 200 MFD, 200V DC B - 9 MFD, 200V DC	POWER SUPPLY FILTER SURGE SOURCE
C2	183084	1	CAPACITOR, .22 MFD	ARC SUPPRESSOR
CR1	181654	6	DIODE, 400V	POWER SUPPLY RECTIFIER
CR2			SAME AS CR1	POWER SUPPLY RECTIFIER
CR3			SAME AS CR1	POWER SUPPLY RECTIFIER
CR4			SAME AS CR1	POWER SUPPLY RECTIFIER
F1	143630	1	FUSE, 3/4 A.F.B.	POWER SUPPLY PROTECTION SEE NOTE 2
FC	171595	2	FUSE CLIP	
T1	183085	2	TERMINAL WITH WIRE LEAD	
T2			SAME AS T1	
J1	182540	1	CONTACT BLOCK, 15 POINT	
E	182641	15	TERMINAL, MALE P.C.	
EC	183137	1	ETCHED CIRCUIT BOARD	
	151637	2	SCREW, 4-40 FIL. HEAD	
	110743	2	LOCKWASHER, 4-40	
	151880	2	NUT	
R3	118198	1	RESISTOR, 56,000 OHM	BLEEDER
CR6	181654		SAME AS CR1	RECTIFIER
R5	183119	1	RESISTOR, 470 OHM	VOLTAGE DROPPING
C3	183121	1	CAPACITOR, 15 MFD	FILTER
CR5	181654		SAME AS CR1	ARC SUPPRESSOR
R4	118180	1	RESISTOR, 10,000 OHM	ARC SUPPRESSOR
RLY.1	183086	1	RELAY, 2,100 OHM	AUTOMATIC READER CONTROL

THIS POWER PACK CONSISTS OF A 150 VOLT POWER SUPPLY OPERATING DIRECTLY FROM THE 117V AC LINE, A WAVE SHAPING NETWORK, AND AN ARC SUPPRESSOR. IT IS DESIGNED TO OPERATE WITH AN INDUCTIVE LOAD OF APPROXIMATELY 100 OHMS BETWEEN TERMINALS 6 AND 12, WITH A 850 OHM, 40 WATT RESISTOR CONNECTED BETWEEN T1 AND T2.

TO FEED SWITCH IS CONNECTED BETWEEN TERMINALS 9 AND 3 THE UNIT IS DESIGNED TO DRIVE THE READER MAGNET IN THE MODEL 33 ASR SET.

TDC RELAY CONTACTS ARE USED FOR AUTOMATIC READER CONTROL. 48V AC INPUT IS RECTIFIED THRU R5 AND CR6 BEFORE REACHING TDC RELAY. CAPACITOR C3 FILTERS TO GROUND THRU COMMON POINT OF TDC1.

**UL RECOGNITION SYMBOL
REQUIRED PER MR 2001.**

P

WCP

APPROVALS	
DESIGNED BY	CHECKED BY
DATE	DATE
E-NUMBER	
PROD. NO. 183079	

TELETYPE CORPORATION
183079

SCALE: 1/1

DRAWN	PD FILE NO	DATE
P.J.N.	1-47-69-AA	2-1-69
DESIGNED	ENGINEER	CHECKED
T.V.		
APPROVED		

STOCK SPECIFICATION			
SIZE	KIND	SHAPE	TEMPER

ALL DIMENSIONS UNLESS OTHERWISE SPECIFIED

U/I RECOGNITION SYMBOL REQUIRED PER MR 2001

CIRCUIT CARD ASSEMBLY

POWER PACK ASSEMBLY

NO R/M

183087

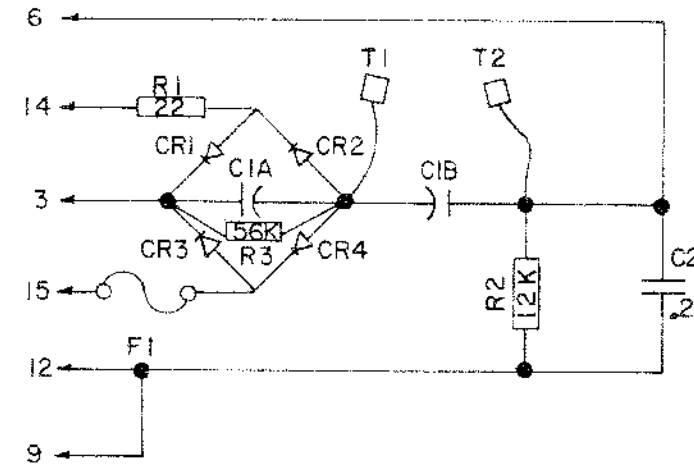
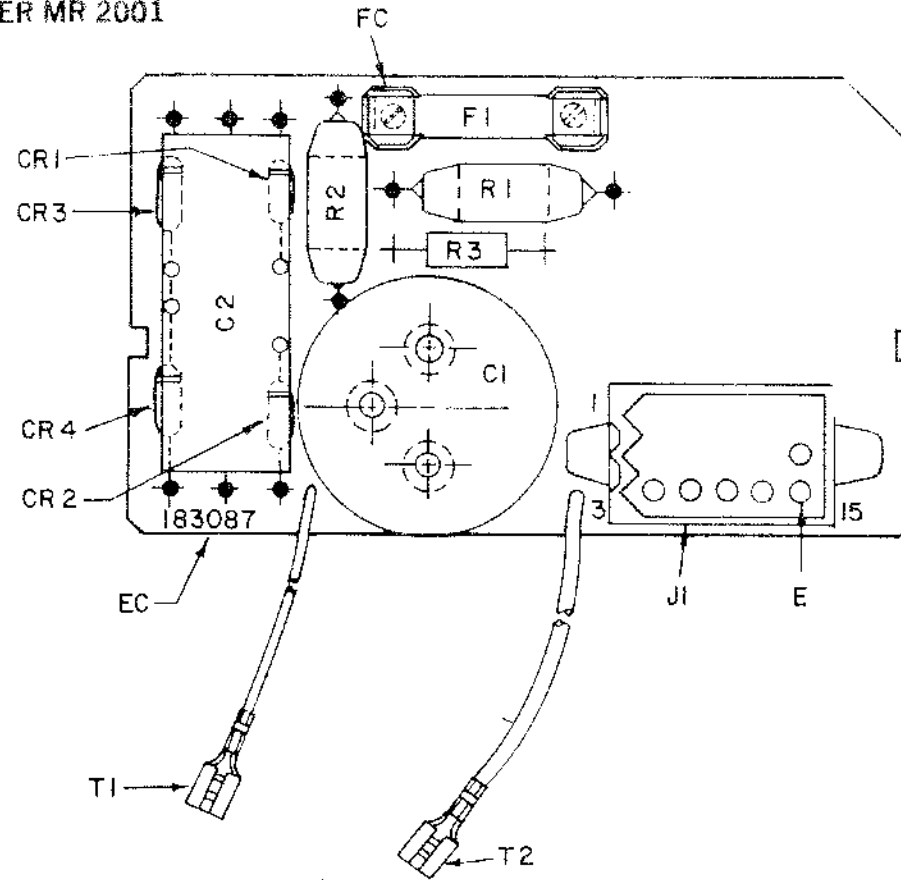
PARTS REQ	NO. REQ	USED ON	NO. REQ
SEE BELOW		182134	1

REVISIONS			
ISSUE NO.	DATE	AUTHOR	NO.
2	8-20-62	30-1276	
3	9-26-62	30-1315	
4	2-20-63	30-5537	
5	6-26-63	76290	
6	9-19-66	88818	
7	11-25-66	88816-1	
8	8-22-68	95993	
9	9-17-69	99187	
10	2-10-70	99187-2	
11	3-3-71	2320	

P

WIP

NO.	NOTES
1	REFER TO 5851WD FOR MARKING INFORMATION.
2	SOME PREVIOUS CIRCUIT CARD ASSEMBLIES USED 1/2 AFF. 3/4 AFF. IS PREFERABLE.



DESIGNATION	TELETYPE PART NO.	TOTAL QTY.	DESCRIPTION	FUNCTION
R1	183083	1	RESISTOR, 22 OHM	SURGE LIMITER
R2	183082	1	RESISTOR, 12,000 OHM	ARC SUPPRESSOR
C1	183078	1	CAPACITOR, DUAL SELECTION A - 200 M.F.D. 200 V.D.C. B - 9 M.F.D. 200 V.D.C.	POWER SUPPLY FILTER
C2	183084	1	CAPACITOR, .22 M.F.D.	SURGE SOURCE
CR1	181654	4	DIODE, 400 V.	ARC SUPPRESSOR
CR2			"	POWER SUPPLY RECTIFIER
CR3			"	"
CR4			"	"
F1	143630	1	FUSE, 3/4 A. F.B.	POWER SUPPLY PROTECTION SEE NOTE 2.
FC	171595	2	FUSE CLIP	
T1	183085	2	TERMINAL WITH WIRE LEAD	
T2			"	
J1	182540	1	CONTACT BLOCK, 15 POINT	
E	182641	6	TERMINALS MALE P.C.	
EC	183080	1	ETCHED CIRCUIT BOARD	
	151637	2	SCREW 4-40 FIL HEAD	
	110743	2	LOCK WASHER # 4	
	151880	2	NUT	
R3	118198	1	RESISTOR, 56,000 OHM	BLEEDER

THIS POWER PACK CONSISTS OF A 150 VOLT POWER SUPPLY OPERATING DIRECTLY FROM THE 117 VAC LINE. A WAVE SHAPING NETWORK AND AN ARC SUPPRESSOR. IT IS DESIGNED TO OPERATE WITH AN INDUCTIVE LOAD OF APPROXIMATELY 100 OHMS BETWEEN TERMINALS 6 AND 12. WITH A 850 OHM 40 WATT RESISTOR CONNECTED BETWEEN T1 AND T2.

AN ON-OFF CONTROL SWITCH IS CONNECTED BETWEEN TERMINALS 9 AND 3. THE UNIT IS DESIGNED TO DRIVE THE READER MAGNET IN THE MODEL 32 AND 33 ASR.

SCALE: 1/1

STOCK SPECIFICATION

DRAWN	PD FILE NO	DATE
T.R.	I-47.60AA	6-7-62
DESIGNED	ENGINEER	CHECKED
	J.A.J.	AAH
		APPROVED
		B.N.M.

SIZE	KIND	SHAPE	TEMPER

APPROVALS	
D AND R	E OF M
<i>[Signature]</i>	<i>[Signature]</i>
E. NUMBER	
PROD. NO. 183087	

TELETYPE CORPORATION
183087