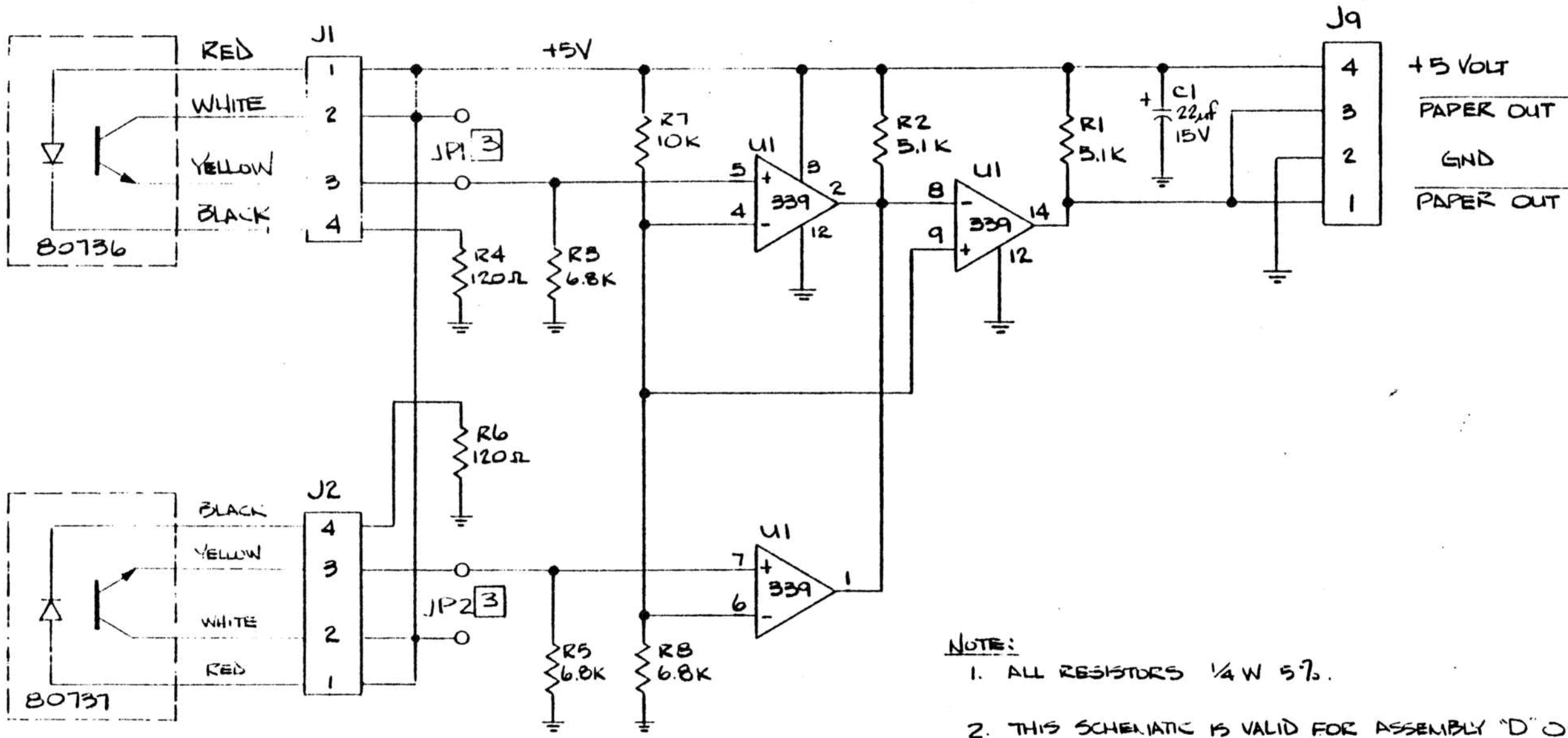


E 90590



- NOTE:**
1. ALL RESISTORS 1/4 W 5%.
  2. THIS SCHEMATIC IS VALID FOR ASSEMBLY "D" 0845

3	DXEH No.	JP1	JP2
	-01	OPEN	CLOSED
	-02	CLOSED	OPEN
	-03	OPEN	OPEN

J	K
G	H
E 0345	F
C 0487 0502	D 0759
A 0443	B 0469

DIMENSIONS ARE IN INCHES UNLESS OTHERWISE SPECIFIED TOLERANCES ARE	
LINEAR XX ± XXX ±	ANGULAR :
MATERIAL	—
HEAT TREAT	—
FINISH	—

DRAWN DAN FONG	DATE 7-77
CHECKED <i>[Signature]</i>	7/77
ENGR. 7-77	7-77
MFG <i>[Signature]</i>	7/77

# Qume

SCHEMATIC

PAPER OUT - PCB

SCALE *[Symbol]* SHEET / TOTAL

PROPRIETARY INFORMATION. UNAUTHORIZED DISCLOSURE OR USE PROHIBITED.

SIZE **B** 90590 E