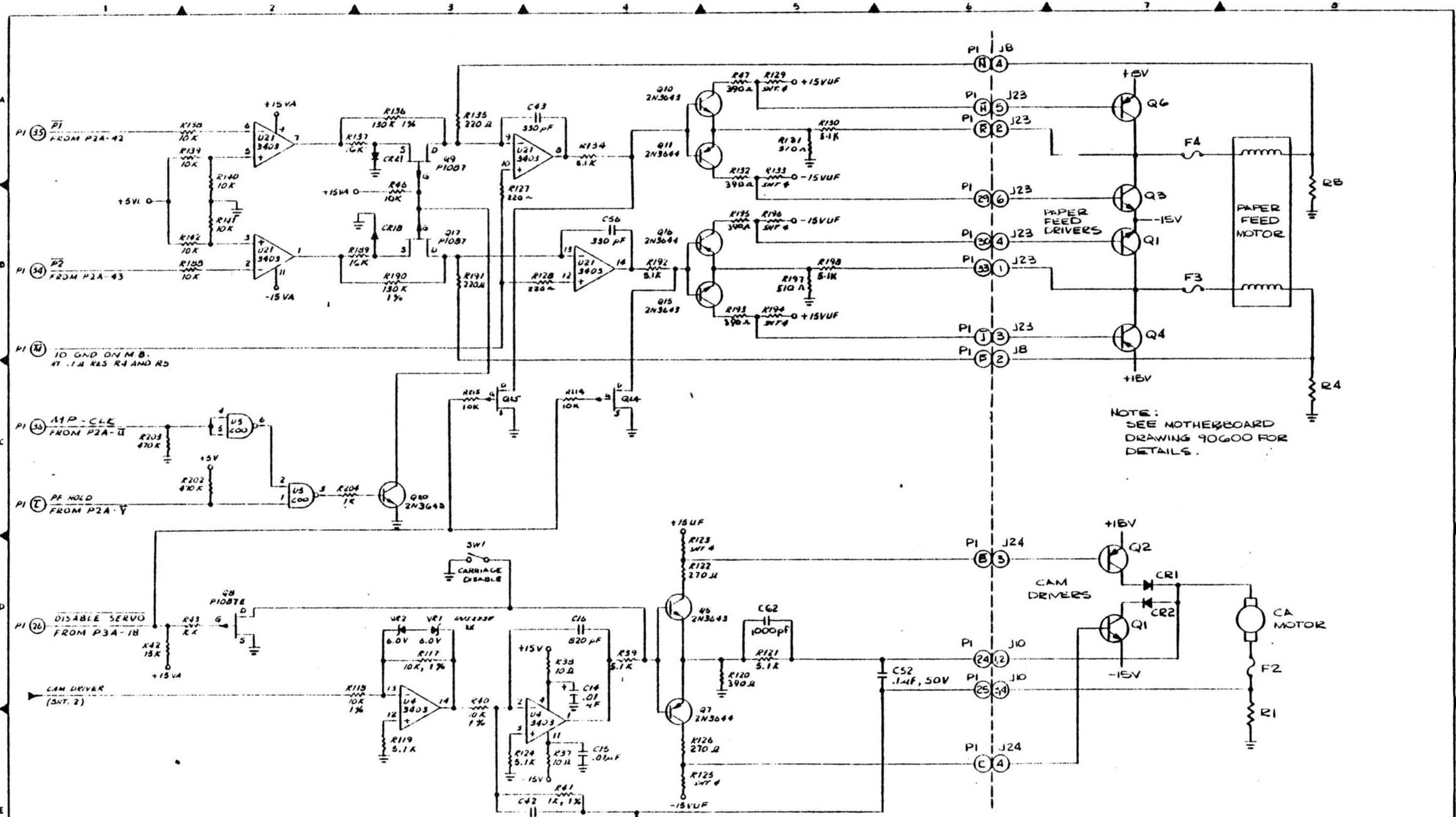


9-8



NOTE:
SEE MOTHERBOARD
DRAWING 90600 FOR
DETAILS.

"CURRENT WAVEFORM"
10 AMP / VOLT
+ = LEFT
- = RIGHT

Z	1058	A	1162	L	0627	F	0648	REVISED	DATE	BY	CHKD	APP'D	Qume
X	0979	Y	1011	E	2258	H	0566	SCHEMATIC	BOARD I - PRINTER	DATE	BY	CHKD	APP'D
M	0890	W	0911	C	0466	H	0468	DATE	BY	CHKD	APP'D	DATE	BY
U	0771	T	0833	A	0410	B	0454	DATE	BY	CHKD	APP'D	DATE	BY
G	0789	R	0800					DATE	BY	CHKD	APP'D	DATE	BY
N	0709	J	0713					DATE	BY	CHKD	APP'D	DATE	BY

90610-XXAA