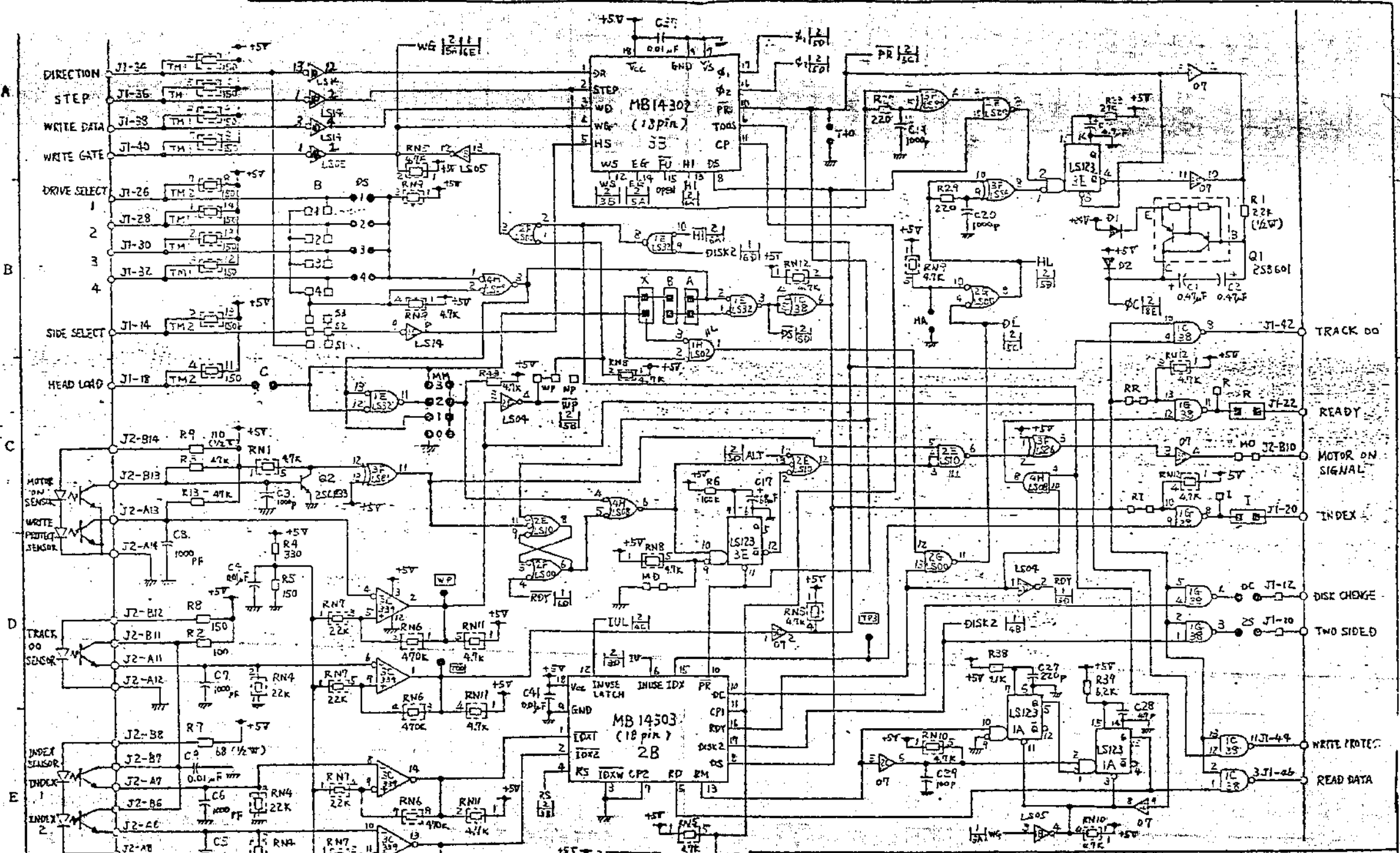


242
REV C



APPROVED BY	CHECKED BY	TRACED BY	DESIGNED BY	NAME	NEXT ASSY.
				FROPPY DISK DRIVE	PN 127002-12
				REV.	SHEET 1/3

