

REVISIONS			
REV	DESCRIPTION	DATE	BY
A	ERN 200 FB PRE-PROD RELEASE	7/6/74	SM
B	ECN 30367A	10/29/74	SM
B1	ECN 30397	11/22/74	SM
C	ERN 200-GP PROD RELEASE	1/10/75	SM
D	ECN 30462A	7/4/75	SM
E	ECN 30477	9/18/75	RJ
F	ECN 30805	8/4/76	RJ
G	ECN 30839	9/15/76	ES

TABLE I (1)

PART NUMBER	REFERENCE DESIGNATION
100-1015	R66, 84, 90, 111
100-1025	R1, 16, 46, 50, 65, 85, 119, 70, 79
100-1085	R29, 33, 93, 74, 75, 127
100-1045	R59, 60
100-1065	R25
100-1215	R21
100-1515	R8, 10, 12, 14, 23, 102, 112, 38, 115, 106
100-1235	R94
100-1825	R17, 100
100-2215	R26, 30, 78, 80, 83, 89
100-2225	R92, 56, 57, 125, 132, 133
100-2235	R71, 72, 73
100-2715	R19
100-2725	R86, 4, 122
100-2735	R61
100-1835	R101
100-4705	R20, 77
100-4715	R7, 64, 82, 88, 81, 87
100-4725	R91
100-4735	R27, 31
100-6805	R9, 11, 13, 15, 39, 103, 107, 113, 116
100-6815	R58, 55
100-6825	R126, 129, 69, 49
100-6835	R96
100-8215	R18, R12, 3
100-8225	R28, 32
100-2745	R95
100-1815	R120
101-1015	R68
101-1215	R5, 6, 67
101-1825	R53, 54
101-2225	R22
101-1525	R128
101-2725	R119
103-1015	R24, 121
104-1331	R109
104-1621	R47
104-2152	R3
104-2372	R108
104-2612	R99
109-0003	R118
109-0008	R104, 105, 114, 117
120-0001	U18
121-1030	R98
121-1040	R97
121-2020	R76
121-2030	R2
130-1015	C26, 45
130-4705	C29
130-4715	C18
130-7515	C30
130-3315	C24

TABLE II (2)

ASSEMBLY VERSION NO.	VERSION CHARACTERISTIC	C15, C16, R62, R63, U10, R131 USAGE (3)	W1	W2	W3	W4	W5	W6
			100-0005	100-0005	100-0005	100-0005	100-0005	100-0005
SINGLE DENSITY INTERNAL TRIM ERASE	-01	SINGLE DENSITY, INTERNAL ERASE, -5V, POWER SAVE FEATURE OUT	USE	USE	OMIT	USE	OMIT	OMIT
	-02	SINGLE DENSITY, INTERNAL ERASE, -5V, POWER SAVE FEATURE IN	USE	USE	OMIT	USE	OMIT	USE
	-03	SINGLE DENSITY, INTERNAL ERASE, -12/-15V, POWER SAVE FEATURE OUT	USE	OMIT	USE	USE	OMIT	OMIT
	-04	SINGLE DENSITY, INTERNAL ERASE, -12/-15V, POWER SAVE FEATURE IN	USE	OMIT	USE	USE	OMIT	USE
SINGLE DENSITY EXTERNAL TRIM ERASE OPTION	-05	SINGLE DENSITY, EXTERNAL ERASE, -5V, POWER SAVE FEATURE OUT	OMIT	USE	OMIT	OMIT	USE	OMIT
	-06	SINGLE DENSITY, EXTERNAL ERASE, -5V, POWER SAVE FEATURE IN	OMIT	USE	OMIT	OMIT	USE	USE
	-07	SINGLE DENSITY, EXTERNAL ERASE, -12/-15V, POWER SAVE FEATURE OUT	OMIT	OMIT	USE	OMIT	USE	OMIT
	-08	SINGLE DENSITY, EXTERNAL ERASE, -12/-15V, POWER SAVE FEATURE IN	OMIT	OMIT	USE	OMIT	USE	USE

PART NUMBER	REFERENCE DESIGNATION
131-1030	C11, 12, 14, 40
131-1520	C48
131-4731	C38, 39, 44
139-1020	C2, 35
139-1055	C3, 47, 36, 25, 28
139-2244	C1, 7, 8, 9, 20, 22, 27, 34, 41, 42, 31, 32
139-2262	C4
139-2710	C33
139-4751	C5, 46
139-4755	C21, 23, 19, 43
139-4762	C6, 37
200-1100	Q3, 4, 25, 26, 27
200-1120	Q1, 2, 24
200-4123	Q5, 6, 7, 24, 29, 31, 21, 22
200-4125	Q14, 16, 17, 18, 19, 20, 30
200-5321	Q9
204-4393	Q23
300-4002	CR1, 2, 3, 7, 21, 22, 25
300-4446	CR4, 5, 8, 10, 11, 12, 13, 14, 15, 16, 17, 18, 19, 21, 23, 24
330-0515	VR3
330-0475	VR6
330-0685	VR4
331-0335	VR2, 5
331-1605	VR1
400-0555	U13, 12
400-0592	U1, 2
400-2741	U21, 26, 27
515-1015	L1, 3, 5, 6
515-2405	L2, 4
700-4221	U17
700-7545	U25, 19, 7
700-7400	U11
700-7402	U5, 8, 22, 23
700-7404	U15, 29
700-7406	U9, 24
700-7407	U6
700-7414	U20
700-7416	U30
700-7450	U28
700-7476	U4, 14, 16
700-8020	U3

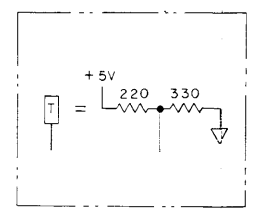
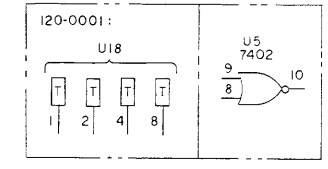


TABLE III (3)

PART NUMBER	REFERENCE DESIGNATION
104-2871	R62
100-1525	R63
139-1020	C15, 16
700-4221	U10
121-1030	R131



REFERENCE DESIGNATIONS

LAST USED	NOT USED	DELETED
C48	C13	C10, 17
CR25	CR6	CR9
F1		
L6		
Q31	Q8	Q10, 11, 12, 13, 15
R133	R34 THRU 37, 52, 130	R40, 41, 43, 44, 45, 48, 51, 42
TP15		
U30		
VR6		
W6	W7, 8	

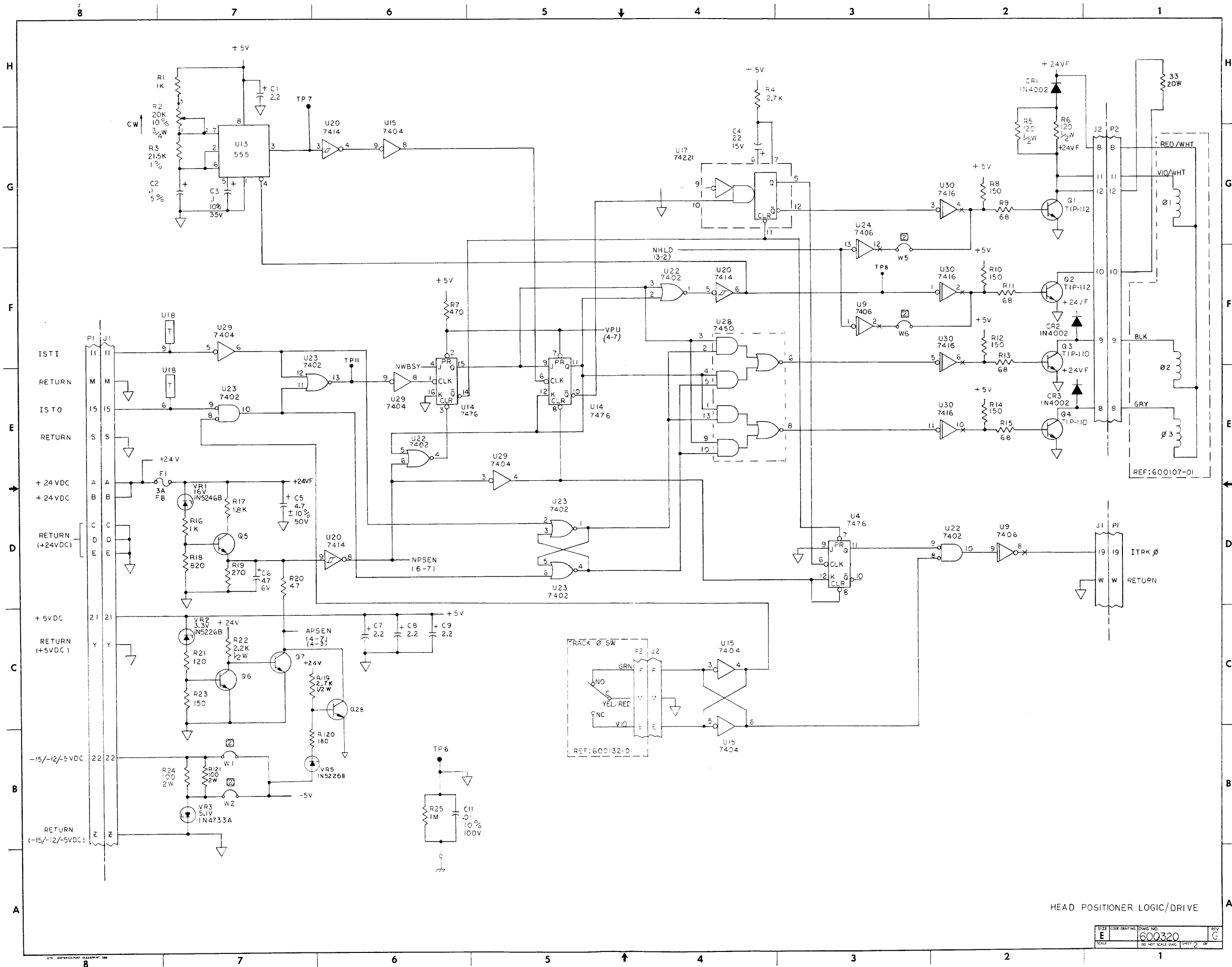
- (1) VERSIONS OF THIS ASSEMBLY FOR INTERNAL/EXTERNAL TRIM ERASE MAY BE CREATED BY INSTALLING C15, C16, R62, R63, R131, U10 AND SELECTING W3 OR W4 AS APPLICABLE.
  - (2) SIGNALS ARE CROSS-REF BETWEEN SHEETS AND WITHIN A SHEET BY NUMBERS APPEARING UNDER THE ASSOCIATED LOGIC TERM MNEMONIC. THE FIRST NO. IS THE SHEET NO. AND THE SECOND NO. IS THE ZONE NO.
  - (3) DIODES ARE IN4466.
  - (4) PNP TRANSISTORS ARE 2N4125.
  - (5) NPN TRANSISTORS ARE 2N4123.
  - (6) CAPACITOR VALUES ARE IN MICROFARADS, 20%, 20V.
  - (7) RESISTOR VALUES ARE IN OHMS, 5%, 1/4W.
  - (8) FOR SPARE LOGIC ELEMENTS, SEE TABLE V.
  - (9) PIN 7 OF ALL I.C. IS 0V. 7476 PIN 13 IS 0V. 74221 PIN 8 IS 0V. PIN 14 OF ALL I.C. IS +5V. PIN 5 IS +5V. PIN 16 IS +5V.
  - (10) FOR PART NUMBER SEE TABLE III.
  - (11) FOR VALUE, PART NUMBER AND USAGE OF COMPONENTS AFFECTED BY VERSION NUMBER, SEE TABLE II.
  - (12) FOR PART NUMBER OF COMPONENTS NOT AFFECTED BY VERSION NUMBER, SEE TABLE I.
- NOTES: UNLESS OTHERWISE SPECIFIED

REFERENCE DRAWINGS:  
ASSEMBLY NO. 600320

SIGNATURES		DATE
DESIGNED BY: [Signature]		7/6/74
CHECKED BY: [Signature]		10/29/74
DRAWN BY: [Signature]		11/22/74
APPROVED BY: [Signature]		1/10/75
TITLE		PERTEC PERIPHERAL EQUIPMENT
SCHEMATIC, FD, BASIC II, DC		
SIZE: E	CODE: 600320	DWG NO. 600320
SCALE: NONE	DO NOT SCALE DWG	

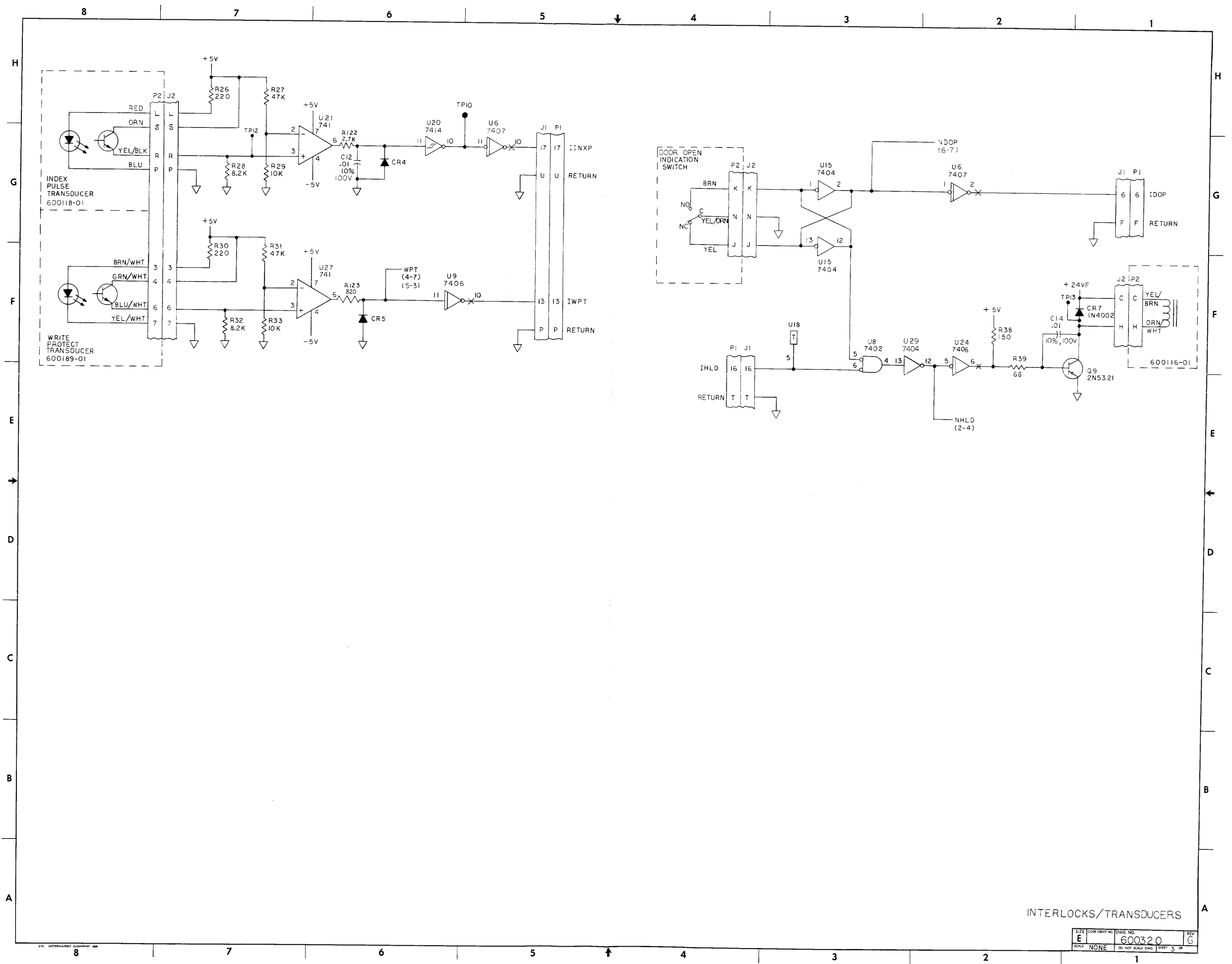
H  
G  
F  
E  
D  
C  
B  
A

H  
G  
F  
E  
D  
C  
B  
A



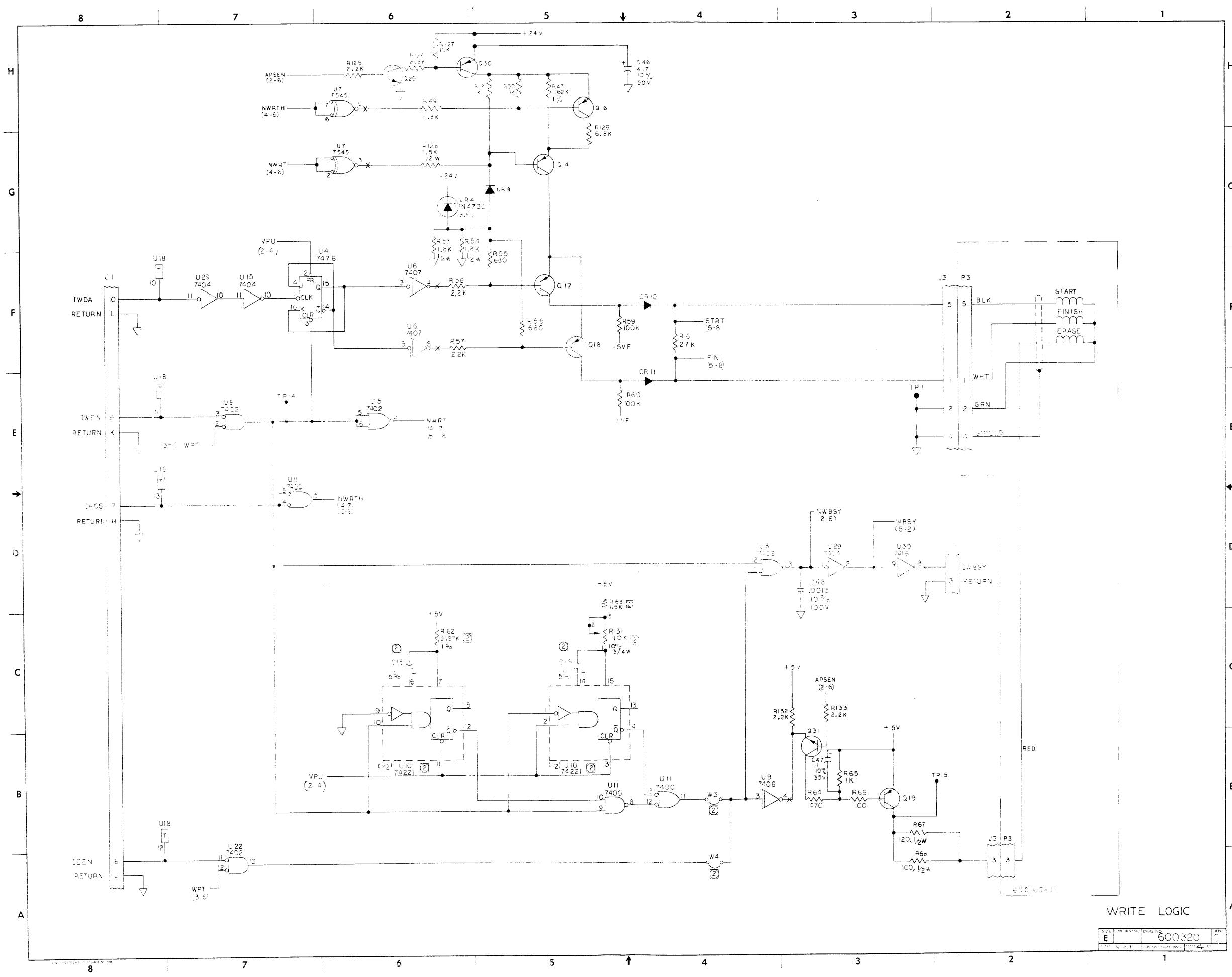
HEAD POSITIONER LOGIC/DRIVE

SIZE	CODE IDENT NO.	DWG. NO.	REV.
E		600320	G
SCALE	DO NOT SCALE DWG.		SHEET 22 OF 27



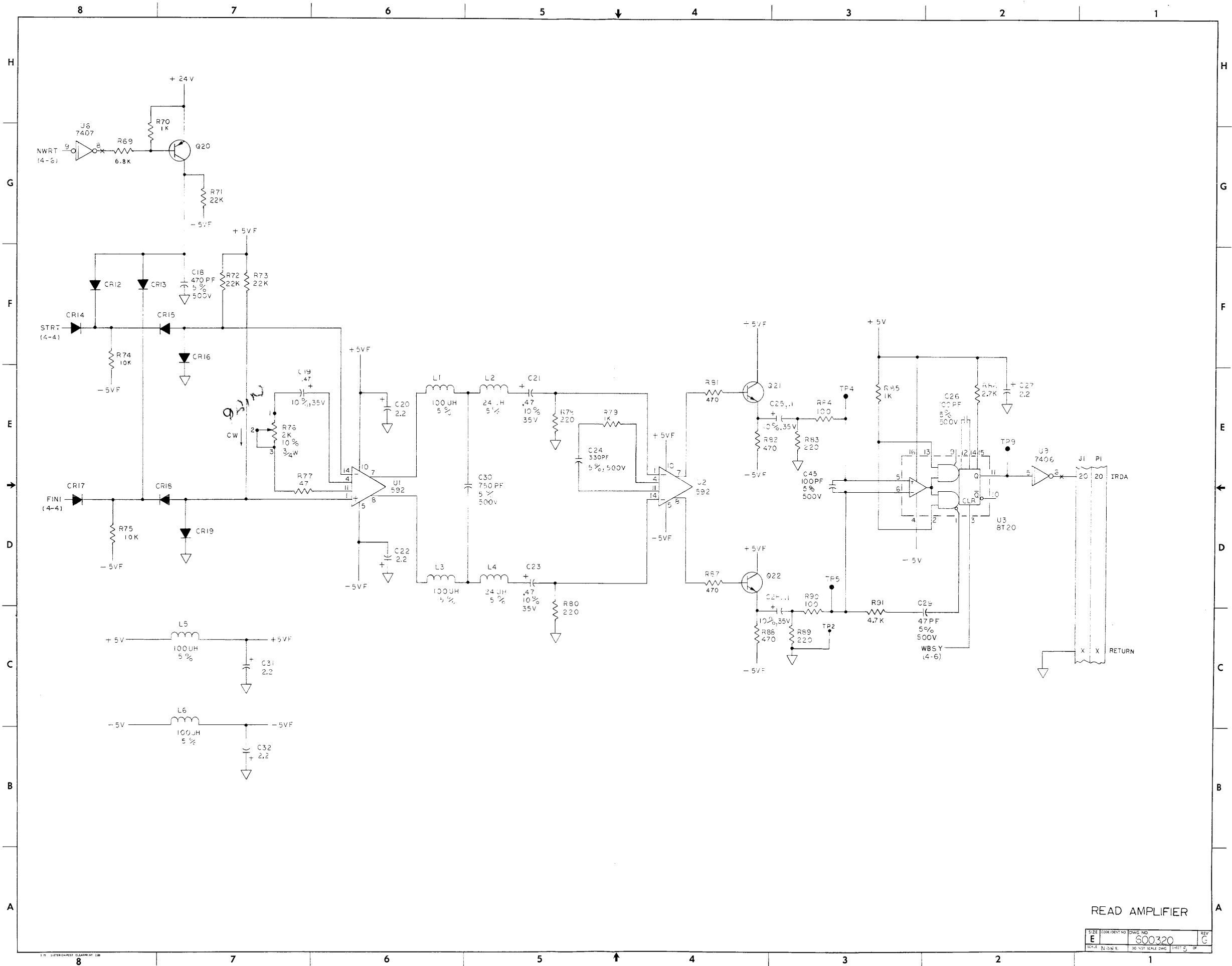
INTERLOCKS/TRANSDUCERS

SIZE	COORDINATE	DWG NO.	REV
E		600320	G
SCALE	NONE	DO NOT SCALE DWG	SHEET 3 OF 3



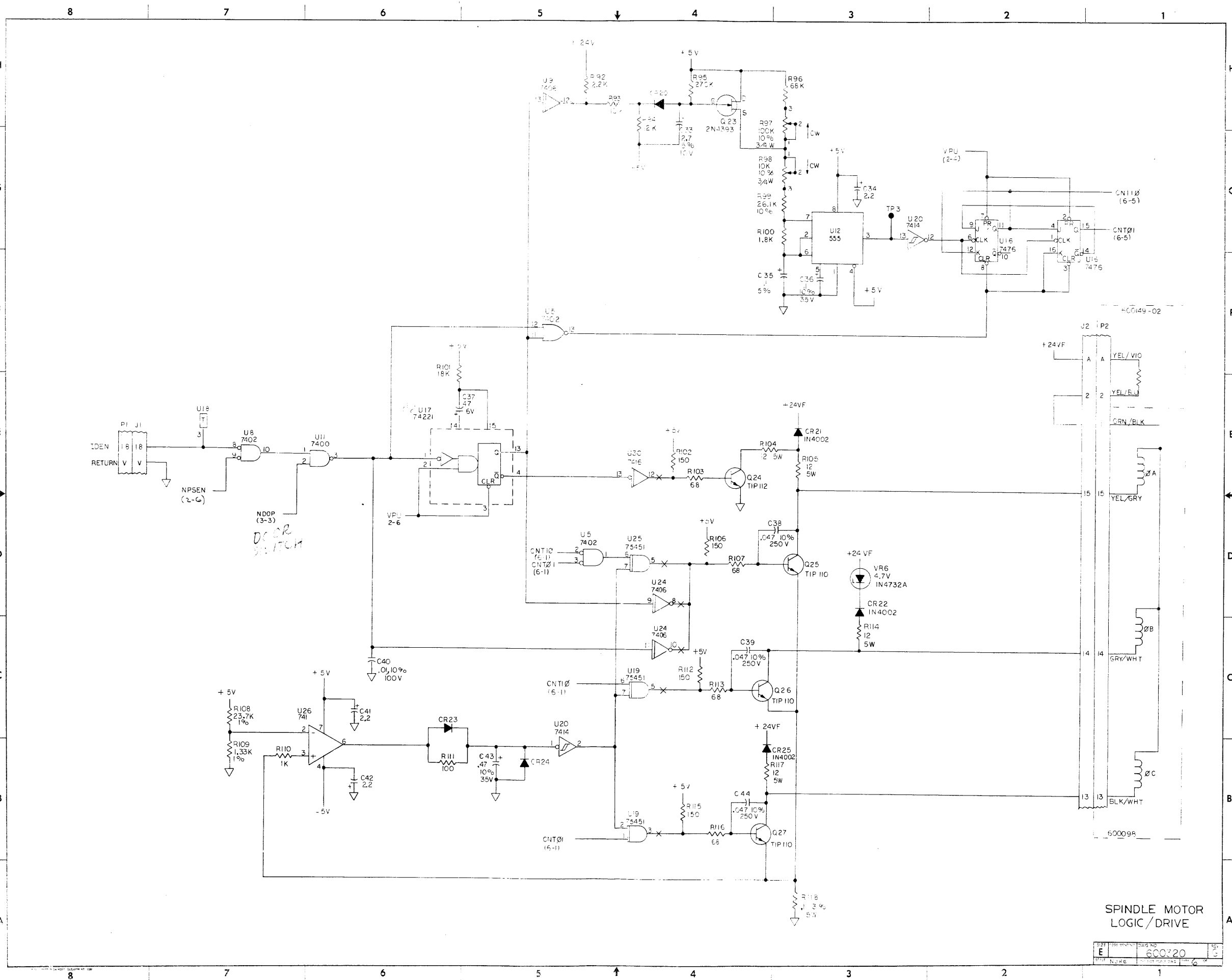
WRITE LOGIC

REV	DATE	BY	CHKD	600320
E				



READ AMPLIFIER

SIZE	COORDINATE	DWG NO	REV
E	NONE	600320	G
SCALE		DO NOT SCALE DWG	SHEET 1 OF 1



SPINDLE MOTOR  
LOGIC/DRIVE

REV	DATE	BY	CHKD
E	600320		
REV	DATE	BY	CHKD