

REVISIONS					
REV	DESCRIPTION	DATE	DR	CHK	APPR
A	ERN 9-JB PRODUCTION RELEASE				
B	ECN 9995; C, ECN 10339;				
D	ECN 10592; E, ECN 10809;				
F	ECN 10881A; G, ECN 10937;				
H	ECN 11203; J, ECN 11895;				
K	ECN 13485A; L, ECN 14869;				
M	ECN 15307				
N	ECN 15468 REVISED AND PLOTTED				

TABLE I (1)

PART NO.	REFERENCE DESIGNATION
100-1015	R20,21,90
100-1025	R13,17,48,66,89,100
100-1035	R31,54,75,76
100-1045	R79,80
100-1055	R96
100-1515	R61,62
100-1525	R26-29,42,57,99,101,102,103,106,107
100-1535	R3
100-2215	R19,22,33,34,74,95
100-2225	R38,52,83,86,87
100-2235	R12,63,64,78
100-0005	R47
100-2725	R15
100-2735	R44,77
100-1225	R11
100-4715	R5,6,18,23,24,56,60,73,88,92,97
100-4725	R16,105
100-4735	R30
100-6805	R55,59,71,72,91
100-6815	R84,85
100-6825	R53,65
100-6835	R104
100-8225	R45
100-5625	R58
100-5615	R14
101-1015	R82
101-1215	R81
101-1525	R68
101-1825	R69,70
101-3305	R93
103-1015	R1,2
104-1621	R51
104-4221	R10
104-2152	R32,43
104-2871	R39
104-8250	R9
104-5621	R8
104-6191	R7
104-6811	R40
120-0001	U6
121-1030	R4
121-2020	R46
121-2030	R41
130-1015	C11,14
130-3315	C20
130-4705	C12
130-4715	C38
130-5615	C4
130-7515	C28,33

TABLE I (1)

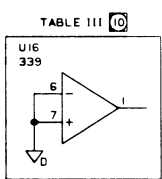
PART NO.	REFERENCE DESIGNATION
131-1030	C40
131-1520	C6
139-1020	C30,31
139-1045	C7
139-1055	C8,13,23,24,41
139-2244	C1,2,5,10,15,16,17,18,21,22,26,32,34,36,37,42
139-4751	C9,29,43
139-4755	C25,27,35
139-4762	C3
200-1100	Q16,17
200-1120	Q14,15
200-4123	Q1,2,4,9
200-4125	Q5,7,8,10,11,12
200-5321	Q13
300-4002	CR13,14,15,16
300-4446	CR2 THRU 12
330-0515	VR1
330-0685	VR3
331-1605	VR2
400-0339	U16
400-0555	U22
400-0592	U19,25
514-0008	S1
515-1015	L1,2,5,6
515-2405	L3,4
700-4107	U13,28
700-4123	U9
700-4221	U15,23,24
700-7400	U7,27
700-7402	U5,12,21
700-7404	U4,18
700-7406	U30
700-7407	U29
700-7410	U14
700-7414	U17
700-7438	U2,3,11
700-7450	U31
700-7474	U8,20
700-7476	U26
700-8020	U10

TABLE II (2)

ASSEMBLY 600261 VERSION NO.	VERSION CHARACTERISTICS	W1	W2	W3	W4	W5	W6	W7	W8	W9	C19	W10	W11	R25	R35	R36	R37	R49
		100-0005																
-01	-5V, SINGLE/DOUBLE	USE	OMIT	OMIT	USE	OMIT	OMIT	OMIT	OMIT	OMIT	USE	OMIT	OMIT	USE	USE	USE	USE	USE
-02	-12V, SINGLE/DOUBLE	OMIT	USE	OMIT	USE	OMIT	OMIT	OMIT	OMIT	OMIT	USE	OMIT	OMIT	USE	USE	USE	USE	USE
-03	MODEL "S"	USE	OMIT	OMIT	USE	USE	USE	USE	OMIT	OMIT	OMIT	OMIT	OMIT	OMIT	OMIT	OMIT	OMIT	OMIT
-04	MODEL "S"	OMIT	USE	OMIT	USE	USE	USE	USE	OMIT	OMIT	OMIT	OMIT	OMIT	OMIT	OMIT	OMIT	OMIT	OMIT
-05	-5V, SINGLE/DOUBLE	USE	OMIT	OMIT	OMIT	OMIT	OMIT	OMIT	OMIT	OMIT	USE	OMIT	OMIT	USE	USE	USE	USE	USE
-06	MODEL "S" -12V	OMIT	USE	USE	OMIT	USE	USE	OMIT	OMIT	OMIT	USE	USE	USE	USE	USE	USE	USE	USE
-07	MODEL "S" -12V	OMIT	USE	USE	OMIT	USE	USE	OMIT	OMIT	OMIT	USE	USE	USE	USE	USE	USE	USE	USE

TABLE II (2)

ASSEMBLY 600261 VERSION NO.	R50	R67	R98	W12	S2	S3	Q3	Q6	W13	W14	CR17
	100-1025	100-6825	VALUE	PART NO. 691-6030	514-0008	514-0008	204-3993	200-4125	100-0005	691-6030	300-4446
-01	USE	USE	2.2K	100-2225	OMIT	USE	OMIT	USE	USE	OMIT	OMIT
-02	USE	USE	2.2K	100-2225	OMIT	USE	OMIT	USE	USE	OMIT	OMIT
-03	OMIT	OMIT	1K	100-1025	OMIT	USE	OMIT	OMIT	OMIT	USE	OMIT
-04	OMIT	OMIT	1K	100-1025	OMIT	USE	OMIT	OMIT	OMIT	USE	OMIT
-05	USE	USE	2.2K	100-2225	OMIT	USE	USE	USE	USE	OMIT	OMIT
-06	USE	USE	2.2K	100-2225	USE	OMIT	OMIT	USE	USE	OMIT	OMIT
-07	USE	USE	2.2K	100-2225	USE	OMIT	OMIT	USE	USE	USE	USE



REFERENCE DESIGNATIONS

LAST USED	NOT USED	DELETED
C43		C39
CR17		CR1
L6		
Q17		
R107		R94
S3		
TP20		
U31	U1	
VR3		
W14		

- (14) TERMINATING RESISTOR PACK IS SPECIFIED AT TOP ASSY.
 - (13) CONNECTOR J1 SHOWN SCHEMATICALLY FOR BOTH THE STANDARD FD5X3 AND FD5X4 CONFIGURATIONS.
 - 12. LOGIC GROUND IS DENOTED BY A ∇ SYMBOL.
ANALOG GROUND IS DENOTED BY A ∇_A SYMBOL.
 - 11. SIGNALS ARE CROSS-REFERENCED BETWEEN SHEETS AND WITHIN A SHEET BY NUMBERS APPEARING UNDER THE ASSOCIATED LOGIC TERM MNEMONIC. THE FIRST NO. IS THE SHEET NO. AND THE SECOND NO. IS THE ZONE NO.
 - (10) FOR SPARE LOGIC ELEMENTS SEE TABLE III.
 - 9. PIN 7 OF 14 PIN I.C.'S IS LOGIC GND.
PIN 14 OF 14 PIN I.C.'S IS +5V.
PIN 13 OF 7476 IS LOGIC GND.
PIN 5 OF 7476 IS +5V.
PIN 8 OF 16 PIN I.C.'S IS LOGIC GND.
PIN 16 OF 16 PIN I.C.'S IS +5V.
PIN 12 OF 339 IS LOGIC GND.
PIN 13 OF 339 IS +24V.
 - 8. DIODES ARE 1N4446.
 - 7. PNP TRANSISTORS ARE 2N4125.
 - 6. NPN TRANSISTORS ARE 2N4123.
 - 5. CAPACITOR VALUES ARE IN MICROFARADS, 20%, 20V.
 - 4. RESISTOR VALUES ARE IN OHMS 5%, 1/4W.
 - 3. (RESERVED)
 - (2) FOR VALUE, PART NUMBER AND USAGE OF COMPONENTS AFFECTED BY VERSION NUMBER SEE TABLE II.
 - (1) FOR PART NUMBER OF COMPONENTS NOT AFFECTED BY VERSION NUMBER SEE TABLE I.
- NOTES: UNLESS OTHERWISE SPECIFIED
- ASSEMBLY NO. 600261
SPECIFICATION NO. 600264
REFERENCE DRAWINGS

PERTEC

DESIGNED BY: <i>MR. R. SORG</i>	CHECKED BY: <i>MR. SORG</i>	DATE: <i>1/11/71</i>
TITLE: SCHEMATIC, FD CONTROL B		
SCALE: NONE	REV: N	DATE: 1/11/71

600261 APPLICATION

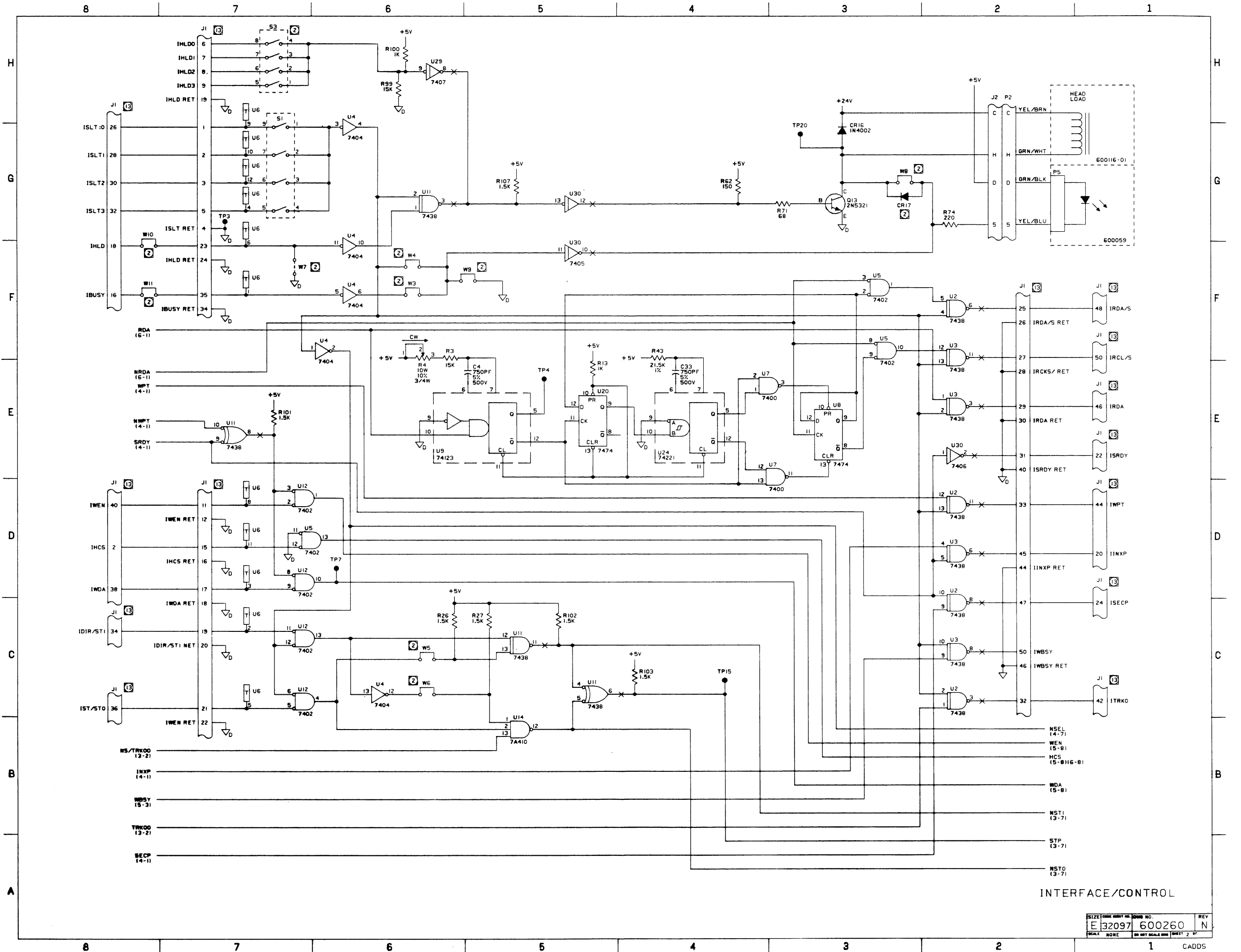
600260

32097

600260

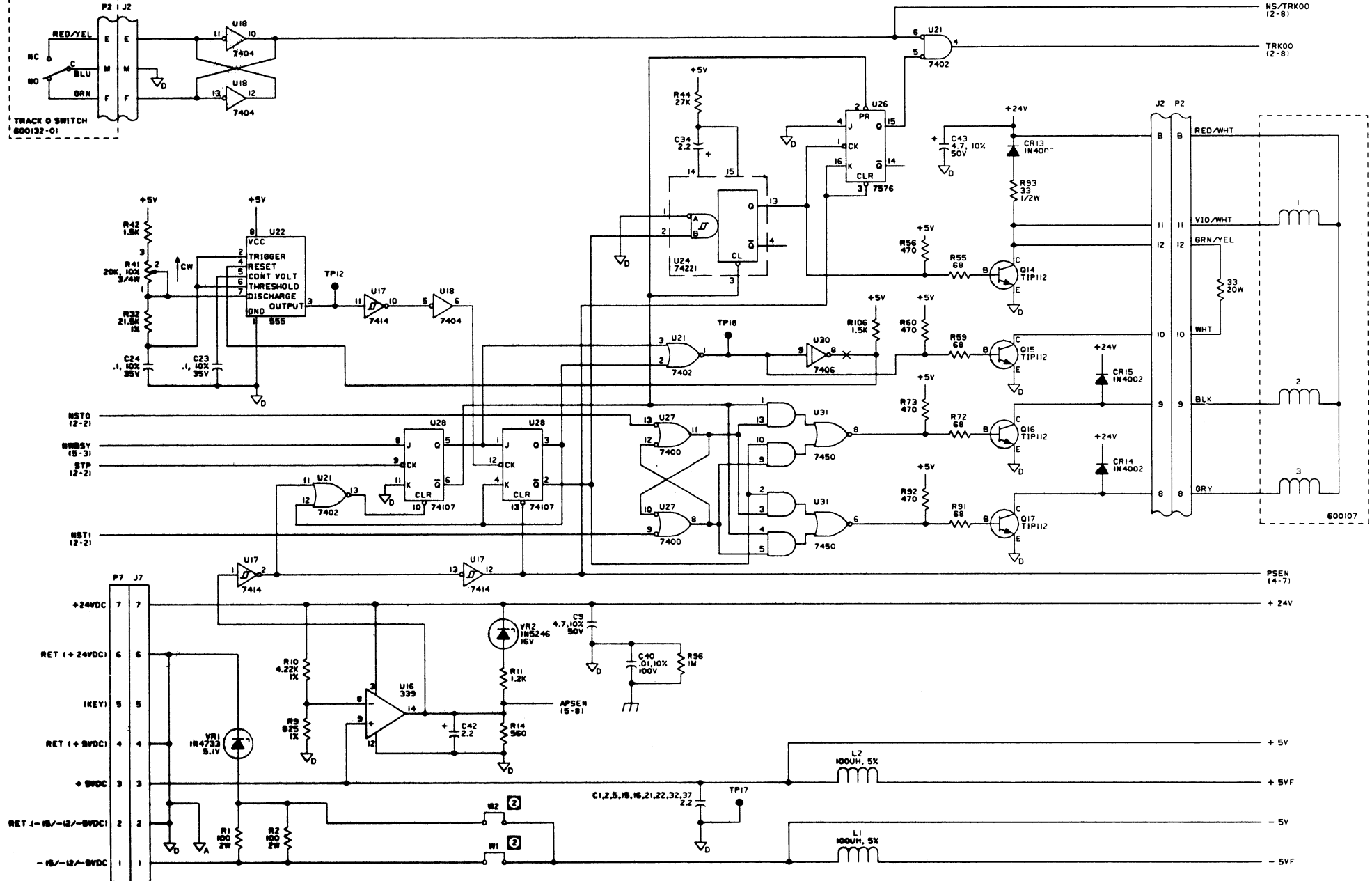
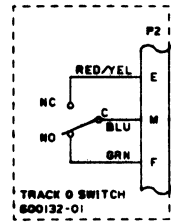
1 OF 6

CADDS



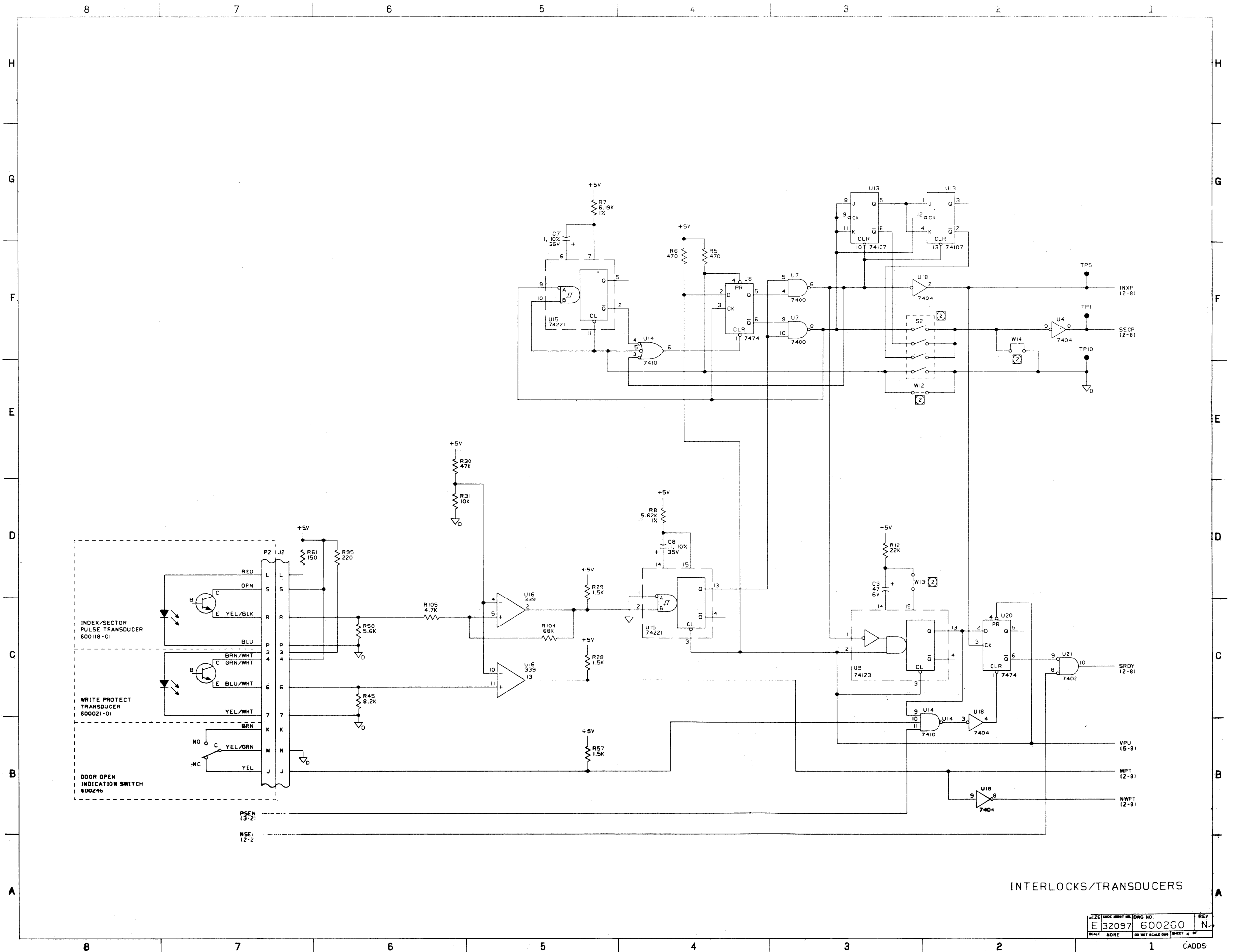
INTERFACE/CONTROL

SIZE	DATE	REV. NO.	REV.
E 32097	600260	N	
SCALE	NONE	DO NOT SCALE DIMS	SHEET 2 OF



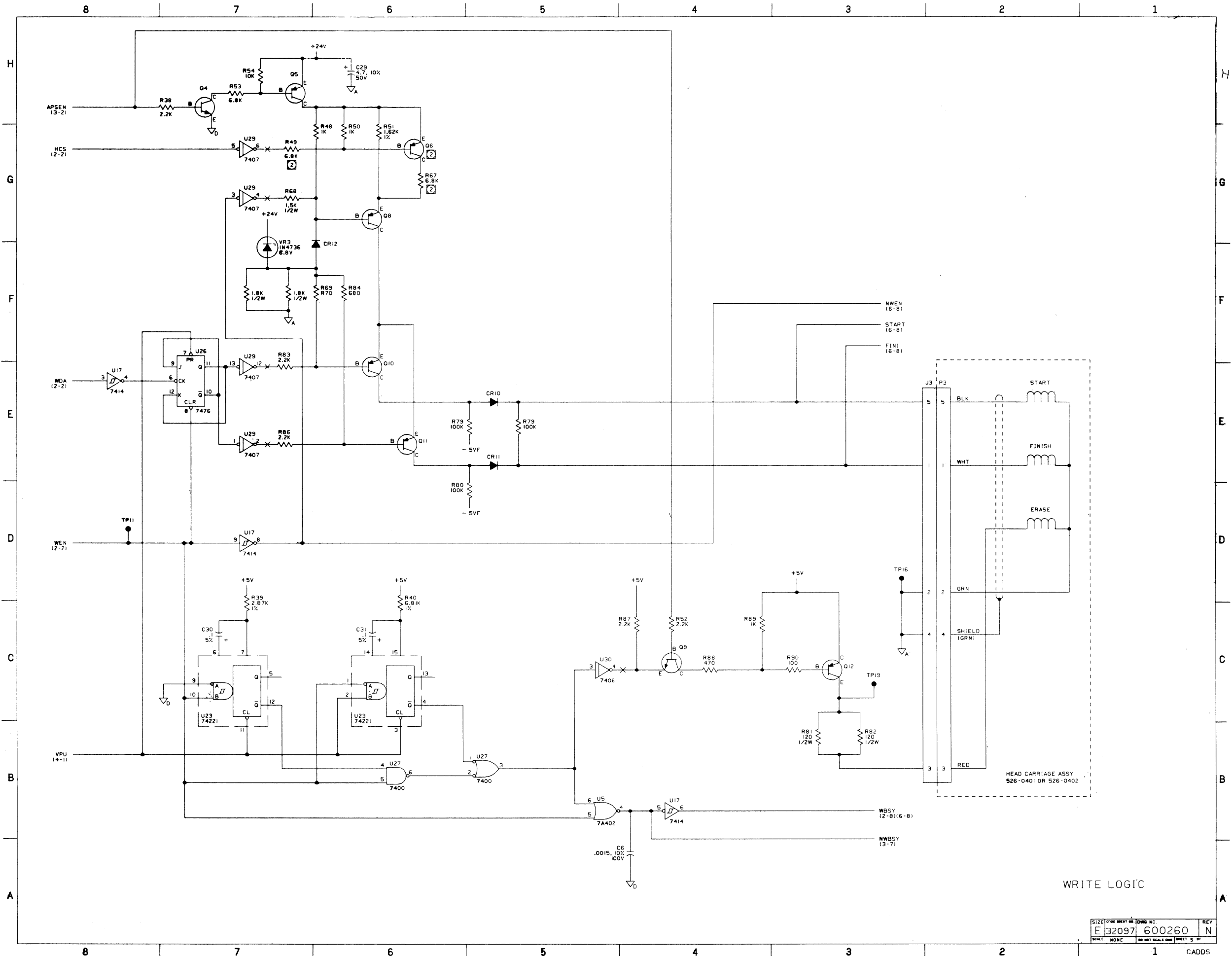
POSITIONER CONTROL

SIZE	REV	NO.
E	32097	600260
SCALE	NONE	REV N



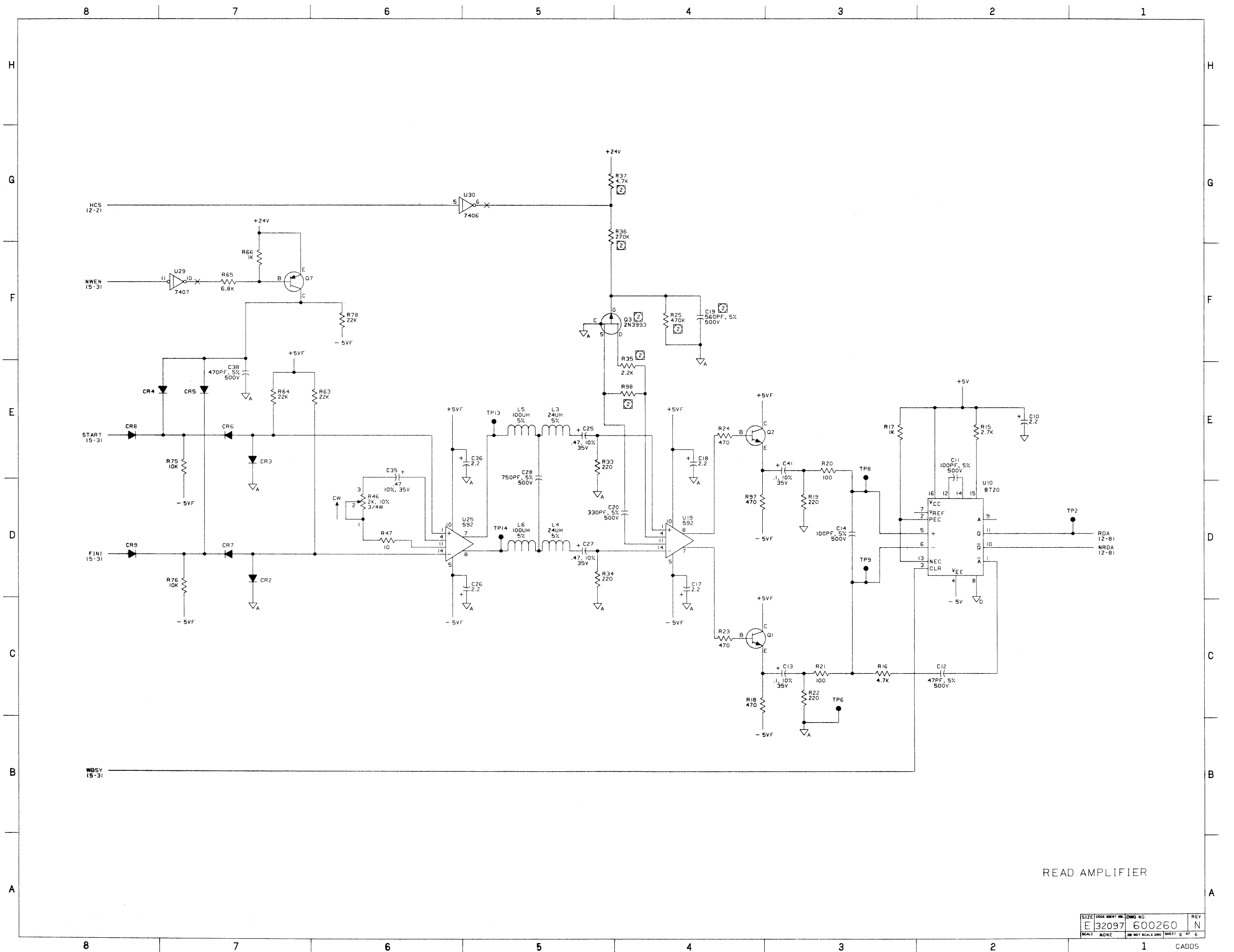
INTERLOCKS/TRANSDUCERS

SIZE	CODE	REV	DWG NO.	REV
E	32097		600260	N
SCALE	NONE	DO NOT SCALE DIM	SHEET 4 OF	



WRITE LOGIC

SIZE	DATE	REV	DWG NO.
E	32097	N	600260
SCALE	NONE	NO UNIT SCALE DIM	SHEET 5 OF 5



READ AMPLIFIER

SIZE	CODE	REV. NO.	REV.
E	32097	600260	N
SCALE	NONE	DO NOT SCALE DIM	SHEET 6 OF 6