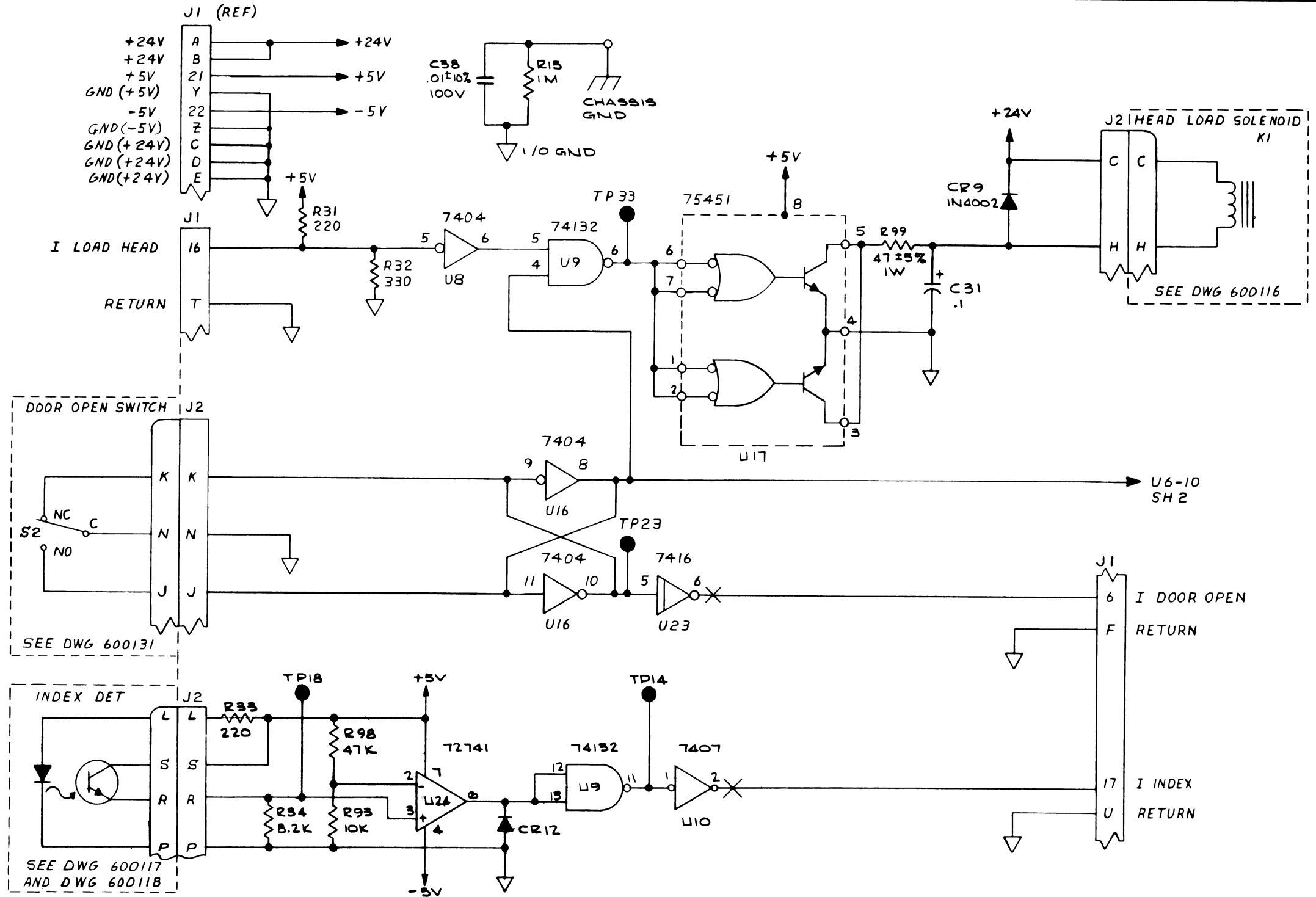


REVISIONS					
REV	DESCRIPTION	DATE	DR	CHK	APPR
A	ERN 200 CP PROD REL	7/27/74	ES	KSS	ES
B	ECN 3017Z	7/27/74	ES	KSS	ES
B1	ECN 30320	10/1/74	ES	KSS	ES

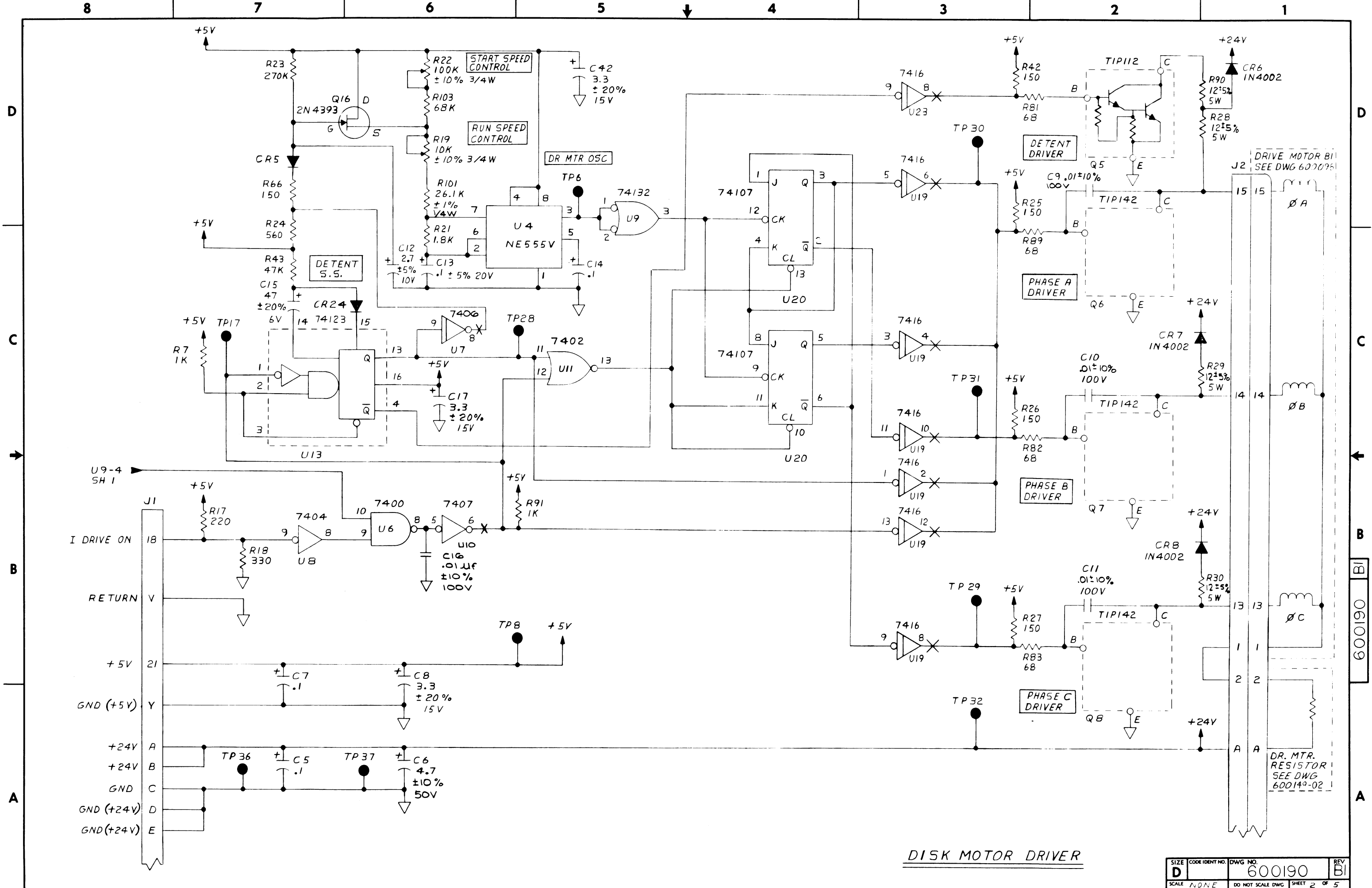


REFERENCE DESIGNATIONS		
LAST USED	NOT USED	DELETED
C42	C35, C36	
CR31		
J3		
K1		
L6		
Q16	Q9	
R103	R14	
S2		
TP40		
U24		
VR2		

5. ALL DIODES ARE IN4446.
 4. ALL CAPACITOR VALUES ARE IN MICROFARADS, ± 10%, 35V.
 3. ALL RESISTOR VALUES ARE IN OHMS, ± 5%, 1/4 W.
 2. FOR PCBA SEE DWG NO. 600191
FOR WIRE LIST — 600154
FOR ASSEMBLY — 600125
 1. ON ALL IC'S PIN NO. 7 IS GND AND
PIN NO. 14 IS +5V.
- NOTES: UNLESS OTHERWISE SPECIFIED.

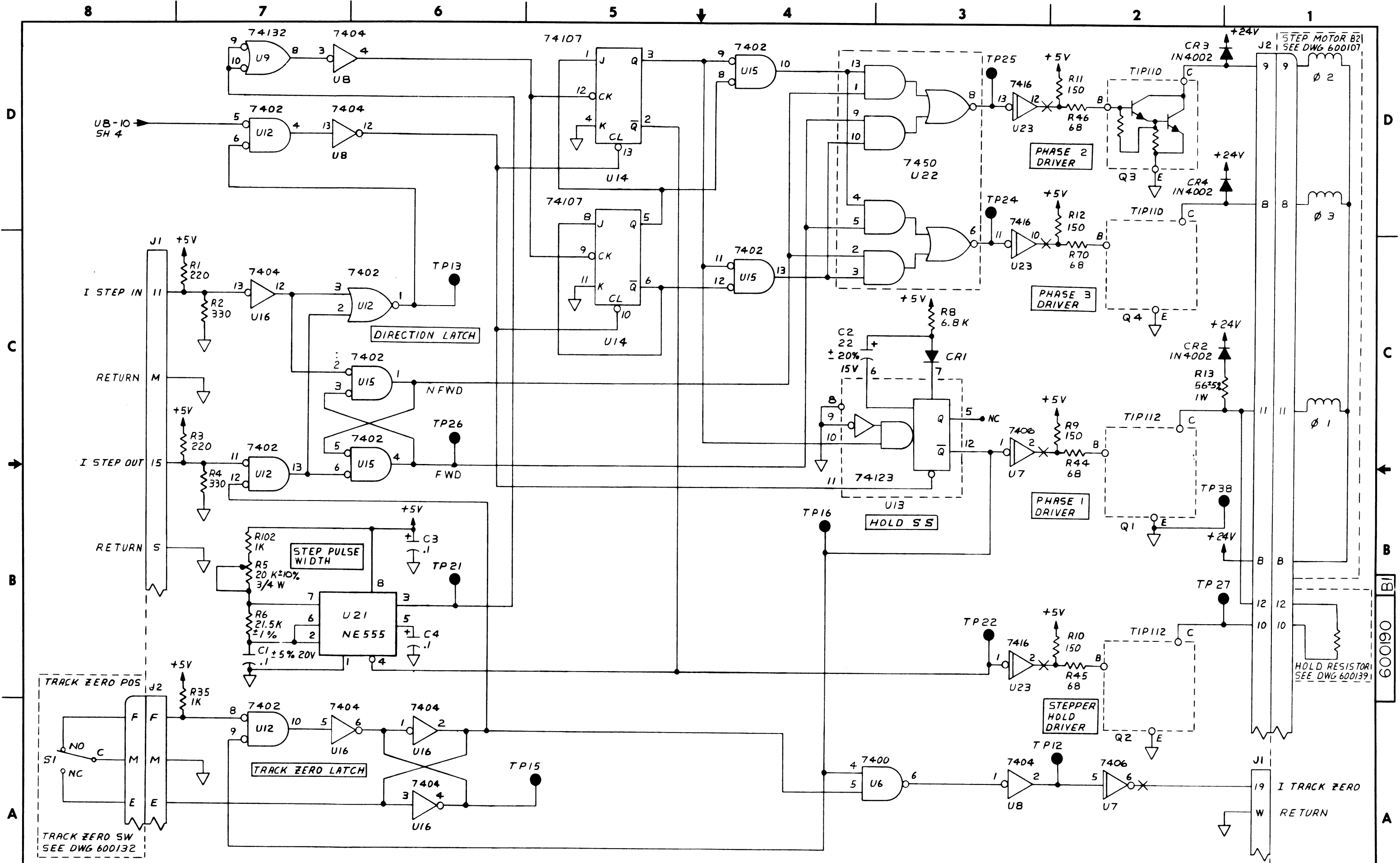
SIZE	CODE	IDENT NO.	DWG NO.	REV
D			600190	B1
SCALE	NONE	DO NOT SCALE DWG	SHEET	1 OF 5

600190 B1



DISK MOTOR DRIVER

SIZE	CODE IDENT NO.	DWG NO.	REV
D	NONE	600190	BI
SCALE	DO NOT SCALE DWG		SHEET 2 OF 5



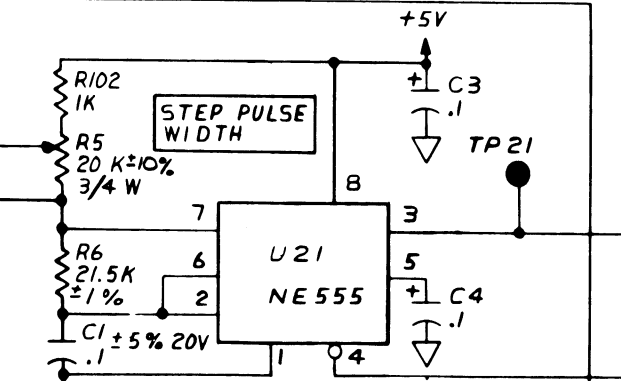
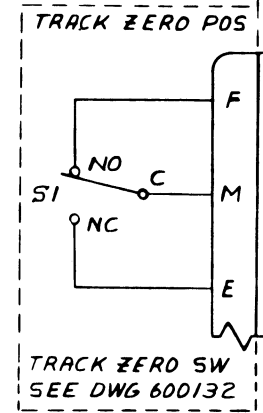
HEAD STEPPER CKTS

SIZE	CODE IDENT NO.	DWG NO.	REV
D		600190	B1
SCALE	NONE	DO NOT SCALE DWG	SHEET 3 OF 5

600190 B1

HOLD RESISTOR
SEE DWG 600139

STEP MOTOR B2
SEE DWG 600107



DIRECTION LATCH

PHASE 2 DRIVER

PHASE 3 DRIVER

PHASE 1 DRIVER

HOLD S'S

STEPPER HOLD DRIVER

D

C

B

A

D

C

B

A

8

7

6

5

4

3

2

1

8

7

6

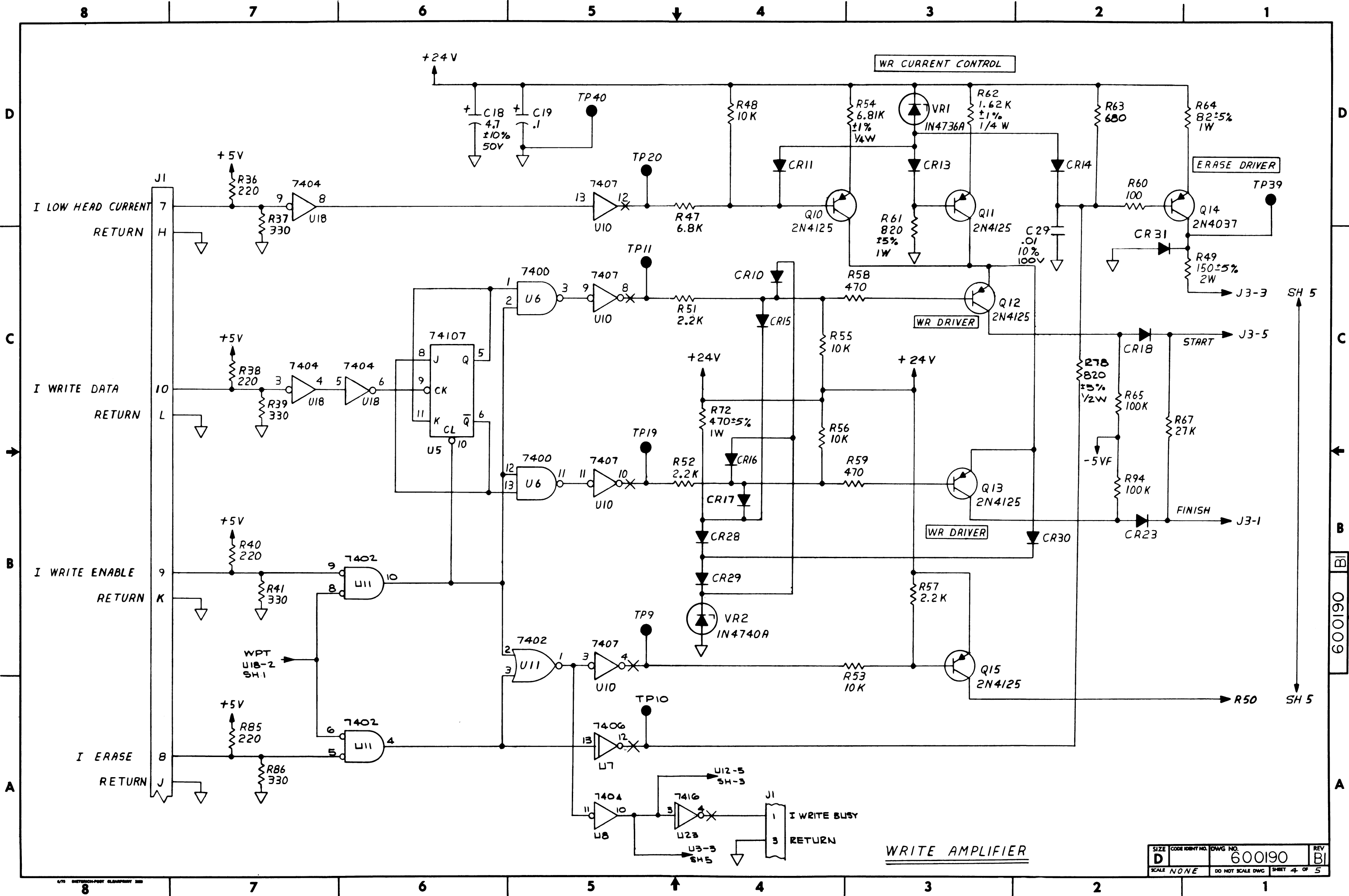
5

4

3

2

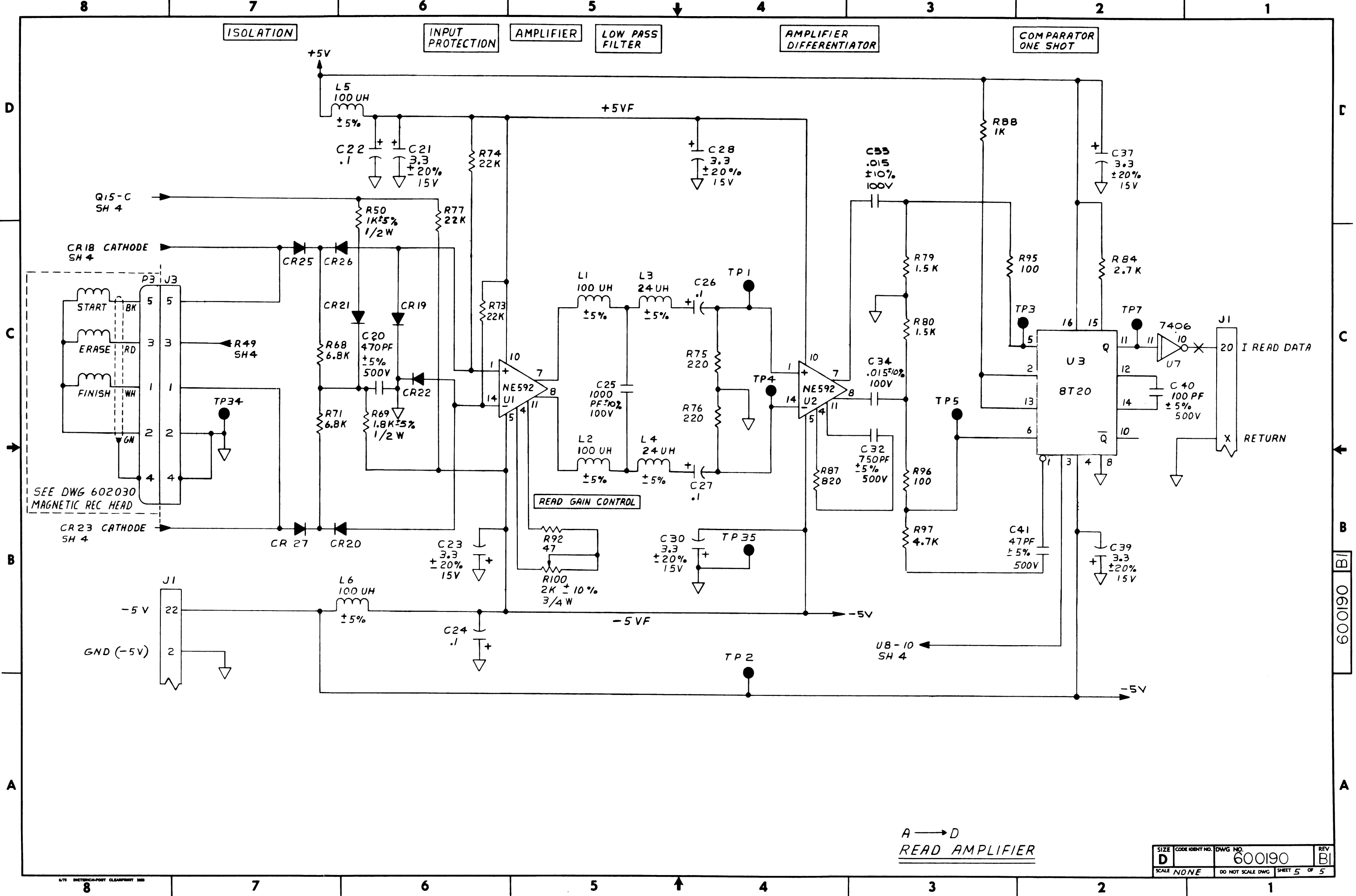
1



WRITE AMPLIFIER

SIZE D	CODE IDENT. NO.	DWG. NO. 600190	REV. B1
SCALE <i>NONE</i>	DO NOT SCALE DWG.		SHEET 4 OF 5

600190



SEE DWG 602030
MAGNETIC REC HEAD

A → D
READ AMPLIFIER

SIZE D	CODE IDENT NO.	DWG NO. 600190	REV B1
SCALE <i>NONE</i>	DO NOT SCALE DWG		SHEET 5 OF 5

600190 B1