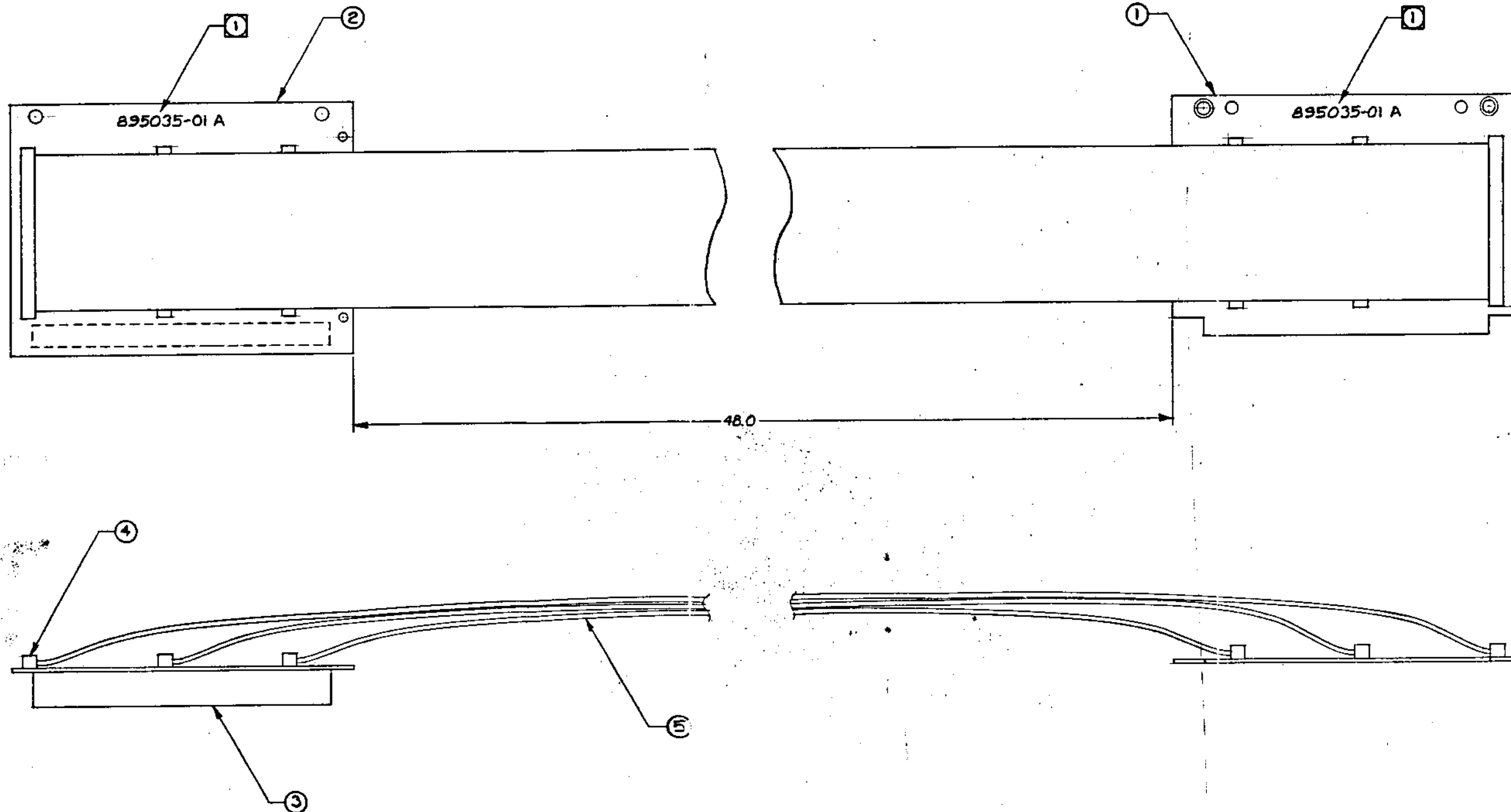


REVISIONS					
REV	DESCRIPTION	DATE	DR	CHK	APPR
A	ERN 9-FY TEST EQUIPMENT RELEASE	8-22			

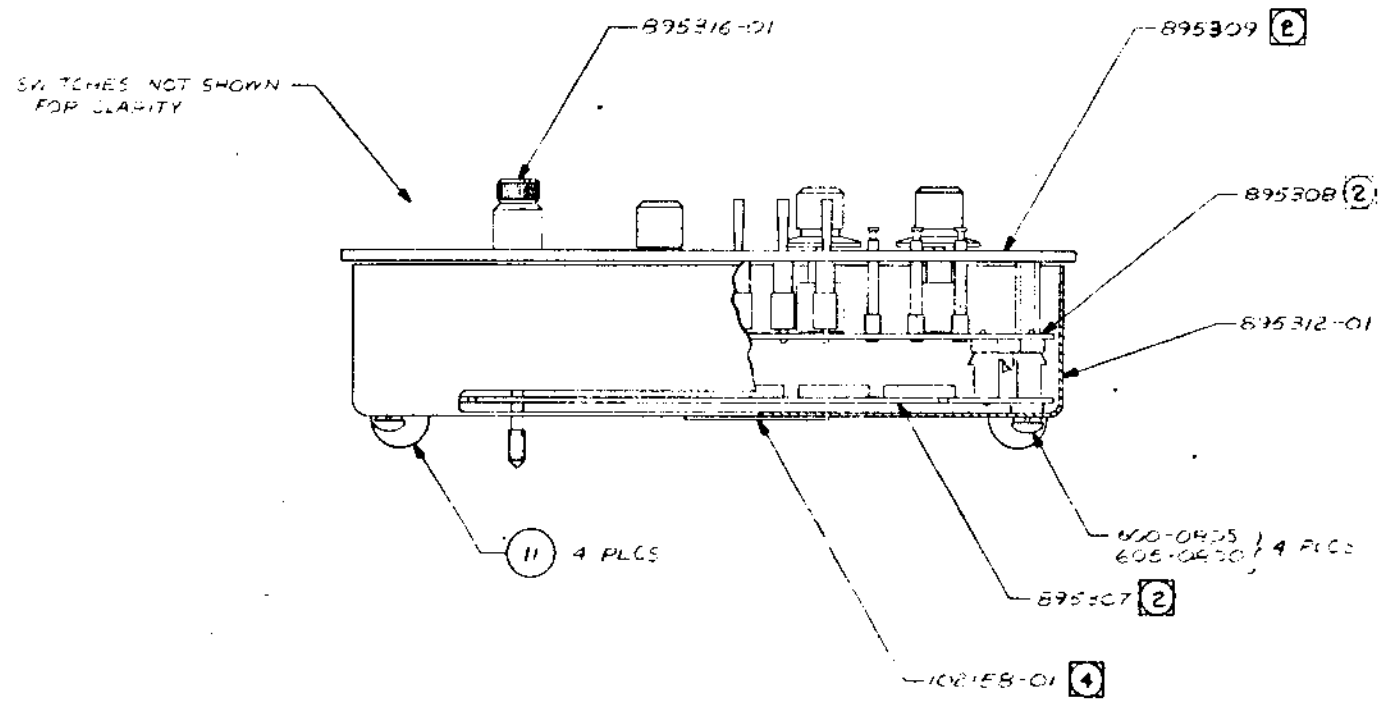
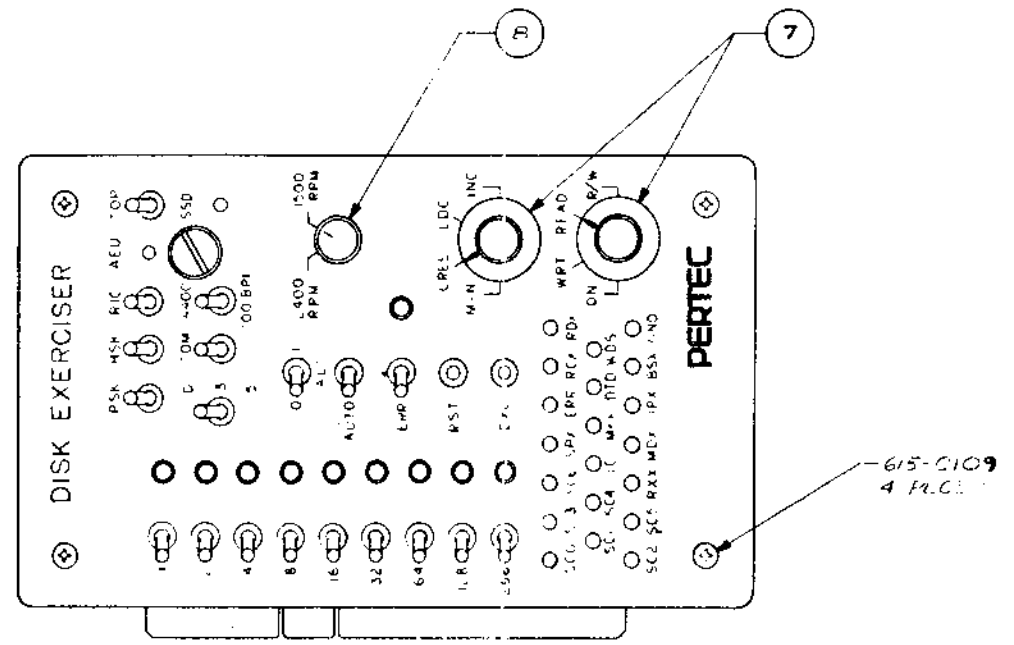


① RUBBER STAMP PART NO. & CURRENT REVISION LETTER IN APPROX. LOCATIONS SHOWN.

NOTES: UNLESS OTHERWISE SPECIFIED

<small>The information herein is the property of PERTEC CORPORATION. No portion of this data shall be released, disclosed, used, or duplicated for procurement or manufacturing purposes without a specific written consent of PERTEC.</small> <small>UNLESS OTHERWISE SPECIFIED</small> <small>TOLERANCES:</small> <small>SIZE ± .005</small> <small>ANGULAR ± 1/2°</small> <small>BREAK ALL SHARP CORNERS APPROX. .015</small> <small>FINISH:</small>	SIGNATURES	DATE	PERTEC PERIPHERAL EQUIPMENT DIVISION TITLE CABLE ASSY., EXTENSION (DISK DRIVE TO H.H. EXER.)
	CHK	8-22	
	DES		
	ENGR	8-27	
	PROJ. ENGR	8-27	<small>SIZE</small> 0 <small>CODE</small> 32097 <small>DWG. NO.</small> 205035 <small>REV</small> A
<small>NEXT ASSY</small> <small>1ST USED ON</small> <small>APPLICATION</small>	MATL:	<small>SCALE</small> FULL <small>DO NOT SCALE DWG.</small>	<small>1 OF 1</small>

REVISIONS					
REV	DESCRIPTION	DATE	DR	CHK	APPR
A	ECN 110518	1/25/78	JAS	LE	JL
B	ECN 110518	1/25/78	JAS	LE	JL
C	ECN 11063	1/25/78	JAS	LE	JL



VERSION NO.	FRONT PANEL PART NO.	LOGIC PCBA PART NO.	OPERATING TEST PROCEDURE MANUAL
-01	895308-01	895309-01	895307-01
-02	895308-01	895309-02	895307-02

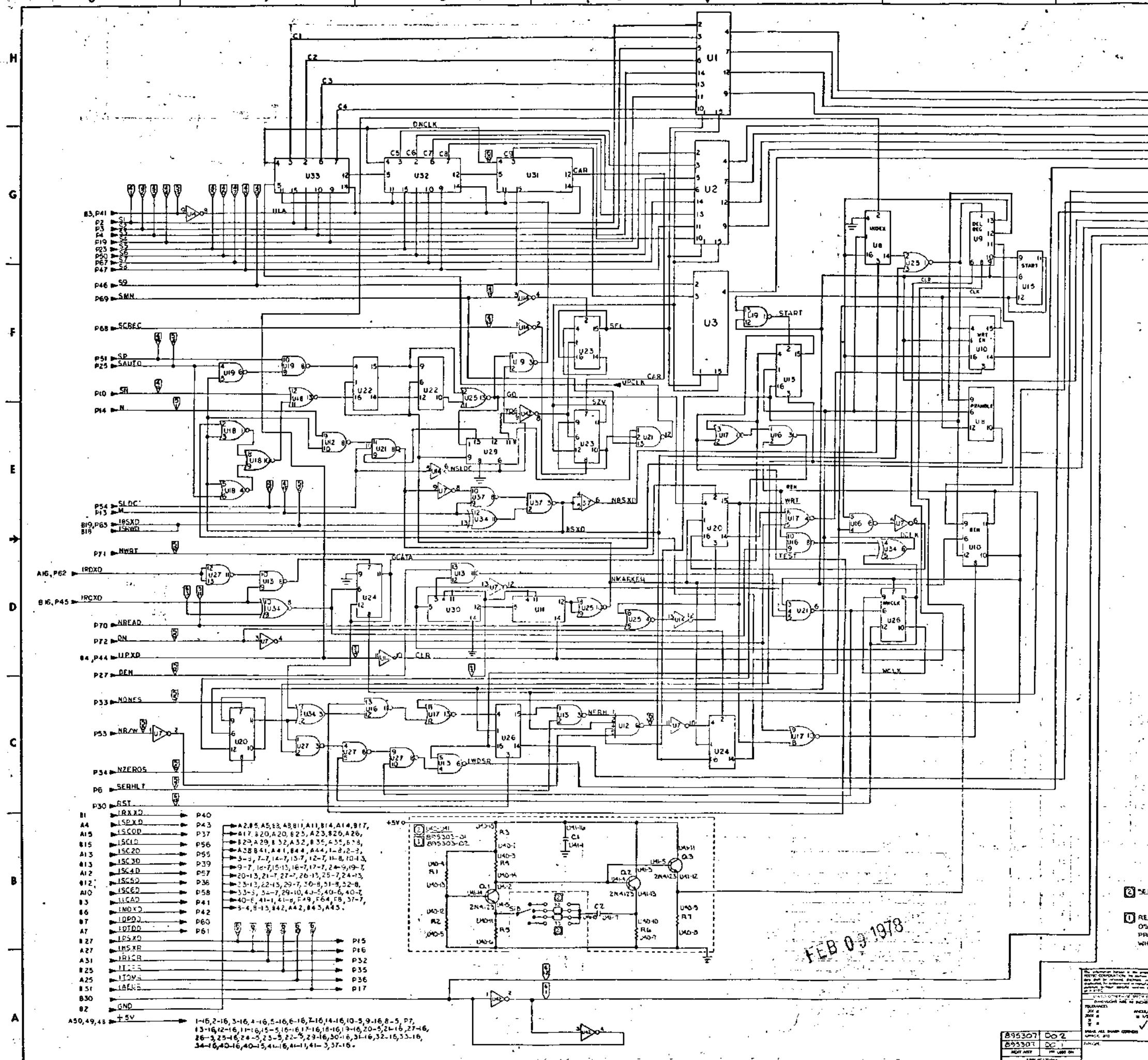
- 4 INSTALL I.D. LABEL (WITH THE REQUIRED M.E.L. NO., PART NO., & SERIAL NO.) IN THE APPROXIMATE LOCATION SHOWN.
- 7 SYMBOL SIGNIFIES LM ITEM NUMBERS.
- 2 SEE VERSION TABLE FOR USAGE AND PART NO.
1. PACKAGE TO AVOID DAMAGE & IDENTIFY WITH P/N AND APPLICABLE VERSION NO. IN VERSION ISSUE LETTER.
- NOTES: UNLESS OTHERWISE SPECIFIED

FEB 03 1978

QTY REQD	PART NO	DESCRIPTION	MATERIAL	REF DES	ITEM NO
	DO1	DISK EXERCISER TOP ASSY			

SIGNATURES		DATE	PERTEC PERIPHERAL EQUIPMENT	
[Signature]		1/25/78	TITLE	
[Signature]		1/25/78	DO1 DISK EXERCISER TOP ASSY	
MATERIAL		SEE L.M.	SIZE	D
FIN SH			SCALE	1:1

REVISIONS				
REV	DESCRIPTION	DATE	BY	APP
2	EPN S-WF SCHEM RELEASE	10/11/77	WJ	
A	EPN S-WF (TEST EQUIPT RELEASE)	10/11/77	WJ	
B	ECN 11063	10/11/77	WJ	



IC00R	P20,A39
IC01R	P21,B39
IC02R	P22,A37
IC03R	P24,B37
IC04R	P5,A36
IC05R	P52,B36
IC06R	P1,A34
IC07R	P48,B34
IC08R	P66,A33
IC09R	B22
IC10R	A22
IC11R	P29
IC12R	B24
IC13R	P65,A28
IC14R	P59
IC15R	B33
IC16R	P18
IC17R	P11

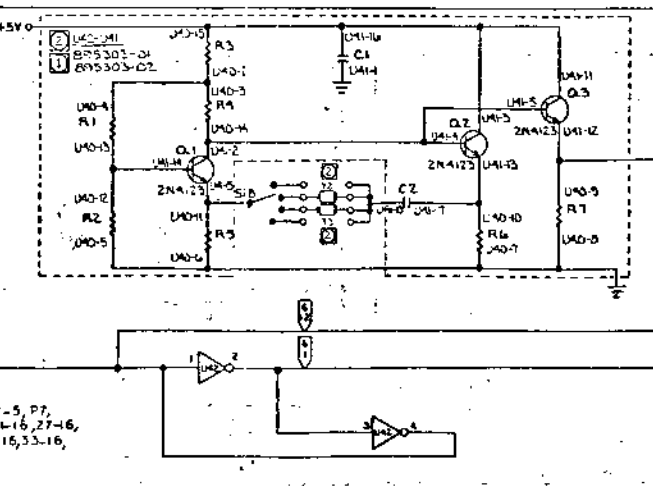
VERSION TABLE		
REV	DESCRIPTION	DATE
01	895301-01	895301-02
C1	2.7K	2.7K
C2	22M	22M
R1	220Ω	1.2K
R2,R3	470Ω	563Ω
R4	1K	0.3Ω
R5	511Ω	220Ω
R6	560Ω	220Ω
R7	120Ω	100Ω
Q1,Q2,Q3	2N4123	2N4123
T2	4.995 MHz	10 MHz
Y3	3.124 MHz	6.25 MHz

SEE VERSION TABLE FOR COMPONENT VALUES.

REF. ASSY. NO. 895307
 OSC. ASSY. NO. 895303
 PROCESS. B.D. NO. 895313
 WIRELIST NO. 895304

FEB 09 1978

B1	IRXD	P40
A4	ISXD	P43
A15	ISCD	P37
B15	ISCLD	P56
A13	ISZD	P55
A13	ISCD	P39
A12	ISCD	P57
Q12	ISCD	P36
A10	ISCD	P58
B3	INXD	P41
B6	INXD	P42
B7	ISXD	P60
A7	ISXD	P61
B27	ISXD	P15
A27	ISXD	P16
A31	ISXD	P32
A25	ISXD	P35
B51	ISXD	P36
B30	ISXD	P17
A50,A9,A8	+5V	



REV	DESCRIPTION	DATE	BY	APP
895301	DOZ			
DOZ				

PERTEC PERIPHERAL EQUIPMENT

DISK EXERCISER SCHEMATIC LOGIC BOARD

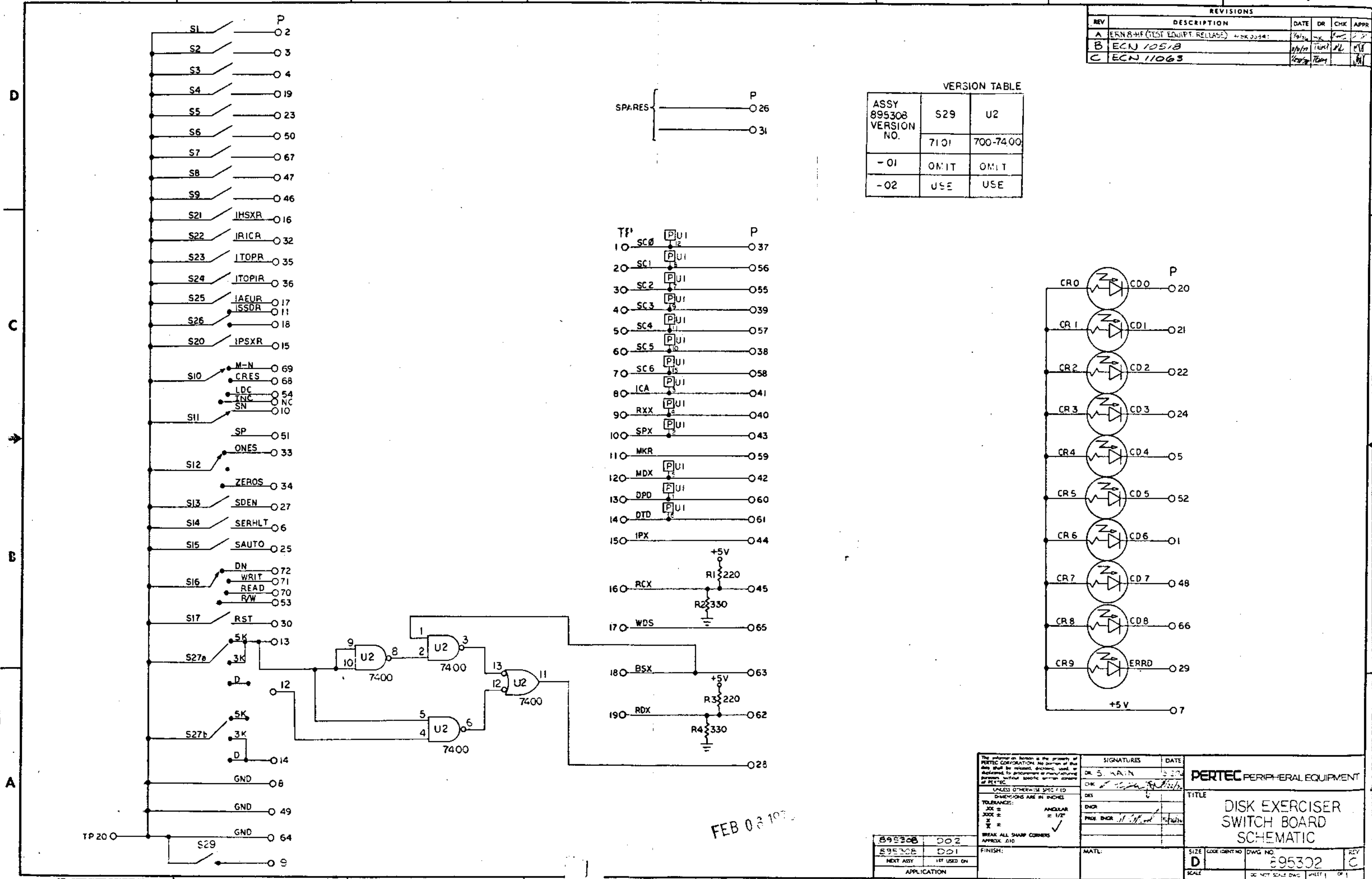
895301

REVISIONS

REV	DESCRIPTION	DATE	DR	CHK	APPR
A	ERN 8-HF (TEST EQUIPT. RELEASE) + SK 2034	1/19/74	SK	SK	SK
B	ECN 10518	1/19/74	TECH	PL	SK
C	ECN 11063	1/27/74	TECH	PL	SK

VERSION TABLE

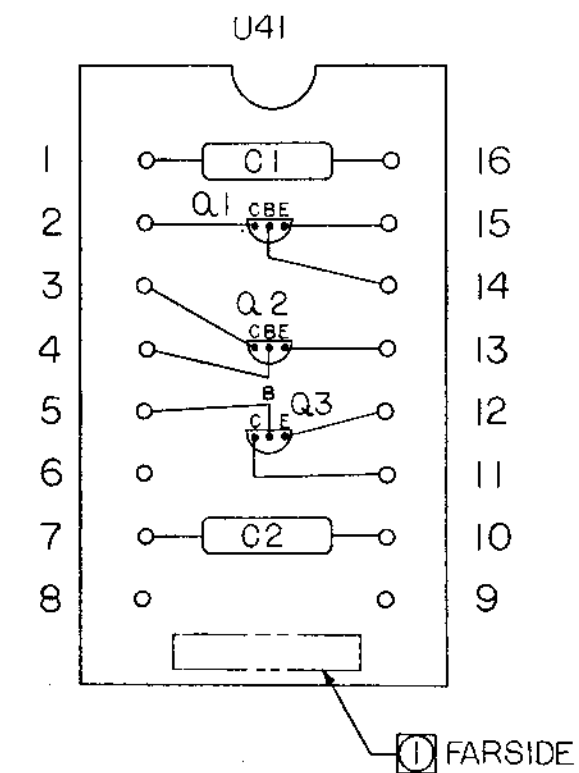
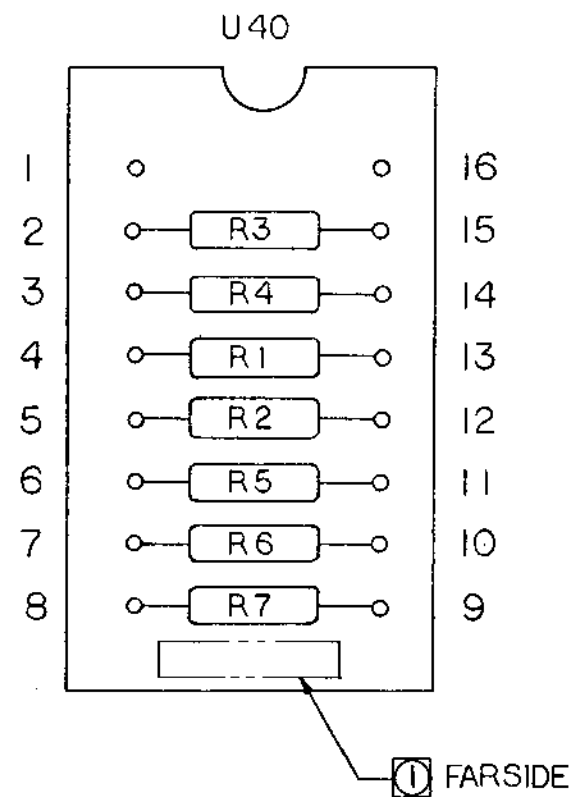
ASSY 895308 VERSION NO.	S29	U2
	7101	700-7400
-01	OMIT	OMIT
-02	USE	USE



FEB 03 1974

<p>The information herein is the property of PERTEC CORPORATION. No portion of this data shall be released, disclosed, used, or disseminated for procurement or manufacturing purposes without specific written consent of PERTEC.</p> <p>UNLESS OTHERWISE SPECIFIED DIMENSIONS ARE IN INCHES TOLERANCES: X = .005 X = .010 X = .015 X = .020 X = .030 X = .040 X = .050 X = .060 X = .070 X = .080 X = .090 X = .100 X = .120 X = .150 X = .200 X = .250 X = .300 X = .375 X = .500 X = .625 X = .750 X = 1.000 X = 1.250 X = 1.500 X = 2.000 X = 2.500 X = 3.000 X = 4.000 X = 5.000 X = 6.000 X = 8.000 X = 10.000 X = 12.000 X = 15.000 X = 20.000 X = 25.000 X = 30.000 X = 40.000 X = 50.000 X = 60.000 X = 75.000 X = 100.000 X = 125.000 X = 150.000 X = 200.000 X = 250.000 X = 300.000 X = 400.000 X = 500.000 X = 600.000 X = 750.000 X = 1000.000</p>		<p>SIGNATURES</p> <p>DR. S. MAIN</p> <p>CHK. [Signature]</p> <p>DATE</p> <p>1/27/74</p>	<p>PERTEC PERIPHERAL EQUIPMENT</p> <p>TITLE</p> <p>DISK EXERCISER SWITCH BOARD SCHEMATIC</p>
<p>895308 002</p> <p>895308 001</p> <p>NEXT ASSY 1ST USED ON</p> <p>APPLICATION</p>	<p>MATERIAL</p> <p>SCALE</p>	<p>SIZE D</p> <p>CODE IDENT NO.</p> <p>DWG. NO. 895302</p> <p>REV C</p>	

REVISIONS					
REV	DESCRIPTION	DATE	DR	CHK	APPR
A	ERN 8-HF (TEST EQUIPT RELEASE)	9/SK00447	SK	SK	SK



REF: SCHEMATIC 895301

DEC 31 1977

① MARK WITH PART NO. 895303-01 OR -02 APPROX. WHERE SHOWN.

NOTES: UNLESS OTHERWISE SPECIFIED

<small>The information hereon is the property of PERTEC CORPORATION. No portion of this data shall be released, disclosed, used, or duplicated, for procurement or manufacturing purposes without specific written consent of PERTEC.</small>	SIGNATURES		DATE	PERTEC PERIPHERAL EQUIPMENT DIVISION TITLE DO 1 DISK EXERCISER OSCILLATOR
	DR. S. KAIN		3/3/77	
	CHK. <i>[Signature]</i>		3/3/77	
	DES			
<small>UNLESS OTHERWISE SPECIFIED DIMENSIONS ARE IN INCHES TOLERANCES: .XX ± .XXX ±</small>	<small>ANGULAR ± 1/2°</small>	<small>BREAK ALL SHARP CORNERS APPROX. .010</small>	<small>ENCR</small> <small>PROJ. ENCR. <i>[Signature]</i></small>	<small>SCALE</small> C
<small>FINISH:</small>	<small>MATL:</small> SEE L/M	<small>SIZE</small> C	<small>CODE IDENT NO.</small>	<small>DWG NO.</small> 895303
<small>APPLICATION</small> 895307 DO 1 NEXT ASSY 1ST USED ON	<small>SCALE</small>	<small>DO NOT SCALE DWG</small>	<small>SHEET</small>	<small>OF</small>

D
C
B
A

4 3 2 1

4 3 2 1

REV. A
DWG. NO. 895303

REVISIONS

REV	DESCRIPTION	DATE	DR	CHK	APPR
A	ERN 8-HF (TEST EQUIPT. RELEASE) Release f/SK00453	3/9/76	LB	<i>[Signature]</i>	<i>M.M.</i>
B	ECN 8932	9/13/6	DI	<i>RN</i>	<i>[Signature]</i>
C	ECN 10280	7/1/77	MLS	<i>cm</i>	<i>[Signature]</i>

SIGNATURES	DATE	PERTEC PERIPHERAL EQUIPMENT TITLE WIRE LIST DOL DISK EXERCISER LOGIC BOARD
DR L. Berman	3/9/76	
CHK <i>[Signature]</i>	3/12/76	
ENGR <i>[Signature]</i>	12-2-76	
APPR <i>[Signature]</i>	4/2/76	

895313	895304	SIZE	CODE IDENT	SHT OF	DWG NO	REV
NEXT ASSY USED ON APPLICATION		A		12	895304	E

TITLE: D01 DISK EXERCISER (LOGIC)

W. L. 895304

REV. C

REMARKS:

PAGE 2 OF 12

WAVEFORM	FROM	TO	TO	TO	TO	TO
SWITCH LINES						
C S1	P2	33-15	4-1	1-2		
Y S2	P3	33-1	4-2	1-5		
L S3	P4	33-10	4-3	1-14		
N S4	P19	33-9	4-4	1-11		
D S5	P23	32-15	4-5	2-2		
R S6	P50	32-1	4-6	2-5		
A S7	P67	32-10	4-7	2-14		
D S8	P47	32-9	4-8	2-11		
R S9	P46	31-15	4-9	3-2		
E						
S						
S						
S10 (SEEK)						
SMN	P69	21-15	14-3	4-12		
SCREC	P68	14-1	4-13			
SLDC	P54	14-5	4-14	21-12		
B15M	P13	4-15	34-14	37-11	42-15	
315N	P14	5-1	12-11			
S11 (EXECUTE)						
SP	P51	19-12	4-10			
SN	P10	18-14	4-11			
S12 (DATA)						
NONES	P33	20-7	5-5			
NZERDS	P34	20-8	5-6			
S13 (DENSITY)						
SDEN	P27	13-15	5-12			

TITLE: DOI DISK EXERCISER (LOGIC)

W. L. 895304

REV. C

REMARKS:

PAGE 3 OF 12

WAVEFORM	FROM	TO	TO	TO	TO	TO
SWITCH LINES						
S14 (ERROR HALT)						
SERHLT	P6	13-2	5-7			
S15 (AUTO)						
SAUTO	P25	5-4	19-4	18-6		
S16 (DATA MODE)						
DN	P72	7-3	5-9	24-2		
NWRITE	P71	20-2	5-10			
NREAD	P70	25-5	5-11			
NR/W	P53	7-1	5-8			
IO						
IIPXD	B-4	8-2	5-3	P44	14-13	
IRCXD	B-16	5-13	13-11	34-12	P45	
IBSXD	B-19	5-2	P63	B21	A19, A21	
IWDSR	A-28	13-5	P-65			
ICASR	21-10	B-33	7-11			
ICD0R	1-4	A-39	P20			
ICD1R	1-7	B-39	P21			
ICD2R	1-12	A-37	P22			
ICD3R	1-9	B-37	P24			
ICD4R	2-4	A-36	P5			
ICD5R	2-7	B-36	P52			
ICD6R	2-12	A-34	P1			
ICD7R	2-9	B-34	P48			
ICE8R	3-4	A-33	P66			
LCASR	7-10	37-12				
	37-10	37-1				
IRDXD	A-16	6-14	27-15	27-14	P62	

TITLE: DO1 DISK EXERCISER

W. L. 895304

REV. C

REMARKS:

PAGE 4 OF 12

WAVEFORM	FROM	TO	TO	TO	TO	TO
MPX INPUT	1					
C1	1-3	33-3				
C2	1-6	33-2				
C3	1-13	33-6				
C4	1-10	33-7				
C5	2-3	32-3				
C6	2-6	32-2				
C7	2-13	32-6				
C8	2-10	32-7				
C9	3-3	31-3				
SEL	23-15	2-1	3-1	1-1	23-16	
SZV	23-11	2-15	3-15	1-15	23-12	
R/W	7-2	12-5				
NDN	7-4	17-5	17-11			
	7-5	16-6				
WENREG1	7-6	20-16				
NCLK	30-12		11-5			
	7-12	24-4				
	7-13	12-6	6-4			
	25-4	14-15				
	14-14	20-3				
IILA	P-41	5-15	14-11	B-3		
	14-10	31-14	32-14	33-14		
DIABLO	B-18	5-14	F-12			

TITLE: DO1 DISK EXERCISER

W. L. 895304

REV. 0 - C

REMARKS:

PAGE 5 OF 12

WAVEFORM	FROM	TO	TO	TO	TO	TO
DCLK	34-6	8-6	15-1	20-6	26-1	8-1
NDONE	24-14	18-2				
WEN	10-15	16-4	13-5	26-16		
NPRAMBL	8-10	27-2	U15-3			
ONESEEK	15-11	8-12	15-12	19-15		
NINDEX	8-14		25-2			
GINDEX	25-1	15-16	9-1	10-12	12-4	
DELREG1	9-15	8-16	10-16	16-5		
DELREG2	9-14	10-4	8-9			
DELREG3	9-13	10-9				
DELREG4	9-12	15-9				
NMARKER	25-12	10-6	10-1	22-1	22-6	29-11
		9-11	24-1		19-14	20-1
		P59	15-6			
BSXD	37-3	18-5	18-3	19-5		25-3
		24-16	12-12		37-4	37-5
	34-13	37-2				
NBSXD	37-6	8-3				
NWEN	10-14	B-22	A-22			
	10-3	17-4				

TITLE: DOI DISK EXERCISER

W. L. 89530*

REV. C

REMARKS:

PAGE 6 OF 12

WAVEFORM	FROM	TO	TO	TO	TO	TO
RENBL	10-11	12-2	16-2	24-8	16-12	
NRENBL	10-10	17-13	B24	21-3	26-7	
	17-12	10-8				
NERH	13-3	12-1				
NERRORA	26-15	13-1	P60			
	26-14	P29				
	27-10	13-4				
	13-10	24-7				
NRDXD	27-13	13-12				
	13-13	21-5				
NSCREC	14-2	23-8				
NSMN	14-4	23-2				
NSLDC	14-6	19-2	29-6			
NIIPXD	14-12	11-14	9-6			
NTOG	29-13	42-11				
TOG	42-10	23-1	23-6			
TEST DATA	17-1	16-1				
	16-3	20-12				
NRCLKWT	16-10	34-4				
RCIK	34-10	24-6	16-11			
NWRT	20-14	17-6				
	16-13	17-14				
NWCLK	30-3	13-14				

TITLE: DO1 DISK EXERCISER

W. L. 895304

REV. C

REMARKS:

PAGE 7 OF 12

WAVEFORM	FROM	TO	TO	TO	TO	TO
RHDATA	34-3	16-14				
TEST	15-15	16-15	17-2			
G DATA	24-11	15-4	17-3	24-12	34-1	
WRT	20-15		17-10		25-6	
ERRIN	17-15	26-4				
DONE BUSY	18-1	18-10				
AUTO BUSY	18-4	18-11				
	18-12	18-13				
	18-15	22-16				
GO	25-15	19-1	29-1	20-4		
NLOAD	19-3	33-11	32-11	31-11		
NAUTO BUSY	19-6	19-11				
	19-10	22-4				
	19-13	15-2				
FLOP 1	22-15	25-14	22-9			
WDATA	20-11		27-1	34-2		
CNT	29-12	21-1				
NSZV	23-10	23-9	21-2			
NCU	21-14	33-5				
NZFCIK	21-6	26-6	27-12			
NSTROBE	29-15	21-11				
	20-10	20-9				
FLOP N1	22-14	22-12				
FLOP N2	22-10	25-13				
NSEL	23-14	23-4				

TITLE: DOL DISK EXERCISER

W. L. 895304

REV. C

REMARKS:

PAGE 8 OF 12

WAVEFORM	FROM	TO	TO	TO	TO	TO
CAR	31-12	23-7				
CARRY N	11-12	25-10	25-11			
	12-10	21-13				
RST	23-0	26-3	6-13			
WCLK	26-10	26-9				
NWCLK	26-11	26-12	27-5	34-5		
WD PAM	27-3	27-4				
WD PAM WCLK	27-6	27-11				
PULL UP 1	30-4	30-11	11-4	11-11	6-2	
PULL UP 2	31-4	32-4	33-4		6-6	
PULL UP 3	34-11	6-3				
128 CAR	32-12	31-5				
16 CAR	33-12	32-5				

TITLE: DO1 DISK EXERCISER

W. L. 895304

REV. C

PAGE 9 OF 12

REMARKS:

WAVEFORM	FROM	TO	TO	TO	TO	TO
IRXXD	P40	B-1				
ISPXD	P43	A-4				
ISCOD	P37	A-15				
ISCID	P56	B-15				
ISC2D	P55	A-13				
ISC3D	P39	B-13				
ISC4D	P57	A-12				
ISC5D	P38	B-12				
ISC6D	P58	A-10				
IICAD	P41	B-3				
IMDXD	P42	B-6				
IDTDD	P61	A-7				
IPSXD	P15	B-27	6-5			
IHSXR	P16	A-27	6-7			
IRICR	P32	A-31	6-8			
ITOPR	P35	B-25	6-9			
ITOMR	P36	A-25	6-10			
IAEUR	P17	B-31	6-11			
ISSDR NO	P18		6-12	42-1	42-4	B-30
ISSDR NC	P11	6-1	42-3	42-2		

TITLE: DOI DISK EXERCISER
CLOCK WIRING AND MISC.
SIGNAL GNDS.

W. L. 895304
 REV. C
 PAGE 10 OF 12

REMARKS:

WAVEFORM	FROM	TO	TO	TO	TO	TO
CLOCK	40-2	40-3	40-4			
	40-13	40-12	41-14			
	40-14	41-2	41-4	41-5		
	40-10	41-13				
OSC	41-12	40-9	7-15		30-5	9-10
	7-14	21-4				
XTAL	40-10	41-7				
	40-11	41-15	S28-C			
	41-10	Y1-1	Y2-1	Y3-1	Y4-1	
MISC GND	9-7	9-5	9-4	9-3	9-2	
MISC GND	8-4	8-13				
S28	S28-1	Y1-2				
	S28-2	Y2-2				
	S28-3	Y3-2				
	S28-4	Y4-2				

TITLE: DOI DISK EXERCISER

W. L. 895304

POWER RUN
+5V
D3000 F/T

REV. C

REMARKS:

PAGE 11 OF 12

WAVEFORM	FROM	TO	TO	TO	TO	TO
+5	A-50 A-49 A-48	1-16	2-16	3-16	4-16	5-16
		6-16	7-16	14-16	10-5	9-16
		8-5	P7	13-16	12-16	11-16
		10-5	15-5	16-16	17-16	18-16
		19-16	20-5	21-16	27-16	26-5
		25-16	24-5	23-5	22-5	29-16
		30-16	31-16	32-16	33-16	34-16
			40-16	40-15	41-16	41-11
		41-3	37-16	42-16	C1-2	C2-2
		C3-2	C4-2	C5-2	C6-2	

TITLE: DO1 DISK EXERCISER

W. L. 895304

REMARKS:

GROUND RUN

REV. C

PAGE 12 OF 12

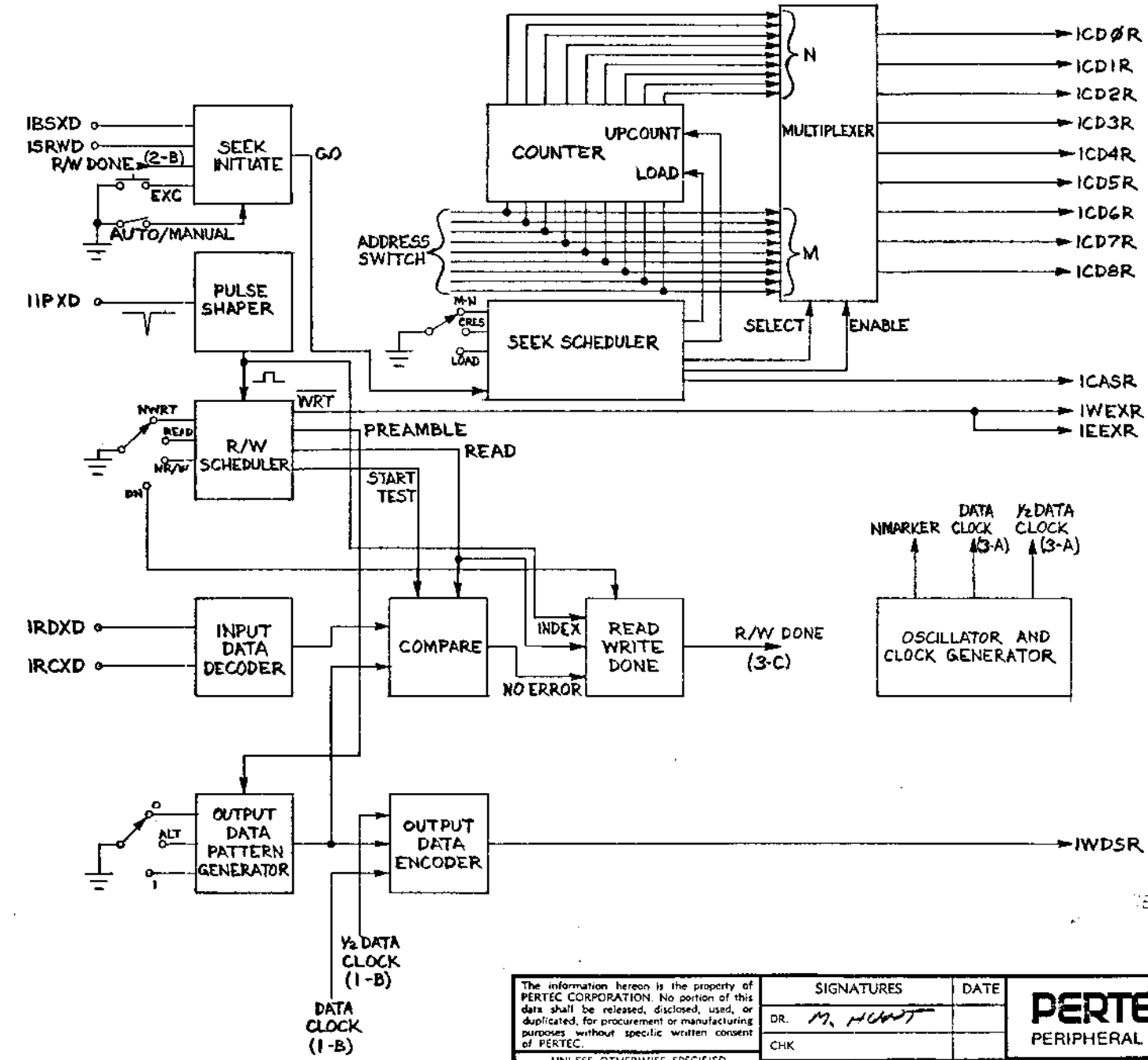
WAVEFORM	FROM	TO	TO	TO	TO	TO
GND	B-2	A-2	B-5	A-5	B-8	A-8
		B-11	A-11	B-14	A-14	B-17
		A-17	B-20	A-20	B-23	A-23
		B-26	A-26	B-29	A-29	B-32
		A-32	B-35	A-35	B-38	A-38
		B-41	A-41	B-44	A-44	
		1-8	2-8	3-8	7-7	14-7
		13-7	12-7	11-8	10-13	9-7
		18-7	15-13	16-7	17-7	24-9
		19-7	20-13	21-7	27-7	26-13
		25-7	24-13	23-13	22-13	29-7
		30-8	31-8	32-8	33-8	34-7
		29-10	40-5	40-6	40-7	40-8
		41-1	30-14	P49	P64	P8
		37-7	8-4	8-13	B42	A42
		C5-1	C6-1	42-7	C1-1	C2-1
		C3-1	C4-1			
QUAD	P-9	6-15	42-5	42-13	A-9	A-43
	P-28	34-15				
	B-43	42-6				
	A-30	37-13				
	42-12	37-14				
	42-14	37-15				
	A-1	40-1				

LIST OF MATERIAL		PERTEC PERIPHERAL EQUIPMENT		LM 895308-01	REV A
TITLE DO 1 DISK EXERCISER SWITCH PCB A				CODE IDENT	SHEET 1 OF 1
ITEM NO.	QTY REQD	PART NUMBER	DESCRIPTION	CODE	REFERENCE
1	10		LED, HEWLETT PACKARD P/N 5082-4860		CRØ-CR9
2	1		RESIST. PAC., HELIPOT 898-1-R1K		UI
3	17		SWITCH, C&K 7101 LI-Y-C (TOG. 2 POS)		S1-9, 13-15, 20-24
4	1	895314-01	PROCESS BOARD		
5	20	895269-01	TEST POINT		TP1-20
6	8		CONNECTOR, MOLEX 09-64-1091		P1-72
7	1		SWITCH, C&K 7103 LI-Y-C (TOG. 3 PO)		S12
8	1		SWITCH, C&K 7211 LI-Y-C (TOG. 3 PO)		S27
9	4		SWITCH, C&K P8121C (MOM, SPST)		S11,17,25,26
10	2		SWITCH RCL11GB-6PC-7513 (ROTARY)		S10,16
11	2	100-2215	RESISTOR 220. OHMS, ±5%, ¼W.		R1,3
12	2	100-3315	RESISTOR 330. OHMS, ±5%, ¼W		R2,4
13	4		STANDOFF AMATOM 9634B-A-0632		
14					
15	REF	895302	SCHEMATIC		
REVISION	A				
DATE	3-8-76				
ECN NO.	EXP 81NF				
CHECKED BY	1/8/76				
APP BY	1/8/76				
					CODE
					A - WITH LMA
					D - WITHOUT LMA
					X - PREFERRED PART
					S - SHIPPED SEP.

MAY 3 1979

REVISIONS					
REV	DESCRIPTION	DATE	DR	CHK	APPR
A	ERN9-AU TEST EQUIPMENT RELEASE	11-15-76	MM	-	M. BL.

IBSXD — BUSY SEEKING (PERTEC)
 ISRWD — READY TO SEEK (DIABLO)
 IIPXD — INDEX PULSE
 IRDXD — READ DATA
 IRCXD — READ CLOCK
 ICD0R TO
 ICD8R — CYLINDER ADDRESS
 ICASR — CYLINDER ADDRESS STROBE
 IWEXR — WRITE ENABLE (PERTEC)
 IEEXR — WRITE ENABLE (DIABLO)
 IWDSR — WRITE DATA
 NMARKER — SYSTEM CLOCK



- A
1. EVERY SEEK OPERATION IS INITIATED BY ONE OF THE THREE INPUTS; IBSXD (ISRWD), R/W DONE, OR EXC. PUSHBUTTON.
 2. EVERY READ OR WRITE IS INITIATED BY INDEX PULSE IIPXD.
 3. "R/W DONE" IS TRIGGERED BY IIPXD.

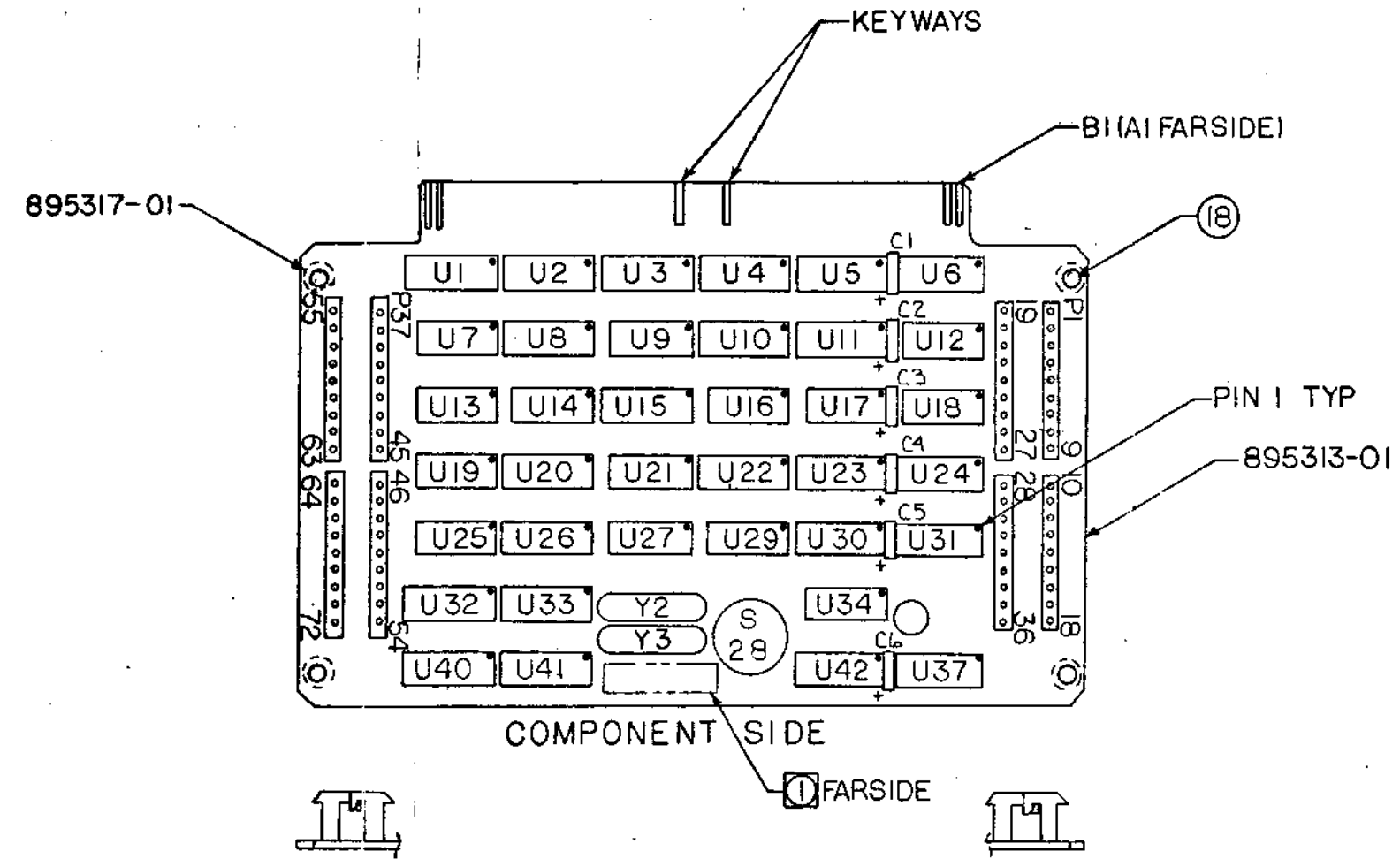
NOTES: UNLESS OTHERWISE SPECIFIED

The information hereon is the property of PERTEC CORPORATION. No portion of this data shall be released, disclosed, used, or duplicated, for procurement or manufacturing purposes without specific written consent of PERTEC.		SIGNATURES		DATE	PERTEC PERIPHERAL EQUIPMENT DIVISION TITLE DOI H.H. EXER. BLOCK DIAGRAM
UNLESS OTHERWISE SPECIFIED DIMENSIONS ARE IN INCHES TOLERANCES: .XX ± ANGULAR ± 1/2° .XXX ± ✓		DR. <i>M. HUNT</i>			
BREAK ALL SHARP CORNERS APPROX. .010		CHK			
FINISH:		DES			
NEXT ASSY		ENGR <i>R. S.</i>			SIZE C CODE IDENT NO. DWG NO. 895305 REV A SCALE — DO NOT SCALE DWG SHEET 1 OF 1
1ST USED ON		PROJ. ENGR <i>M. J. ...</i>			
APPLICATION		MATL:			

REC 01 1977

REVISIONS					
REV	DESCRIPTION	DATE	DR	CHK	APPR
A	ERN B-HF (TEST EQUIPT. RELEASE) 4/5/63	3/2/70	SK		
B	ECN 11063				

D
C
B
A



WIRELIST: 895304
 SCHEMATIC: 895301
 REFERENCE DOCUMENTS
 PART NO. 895307- REV

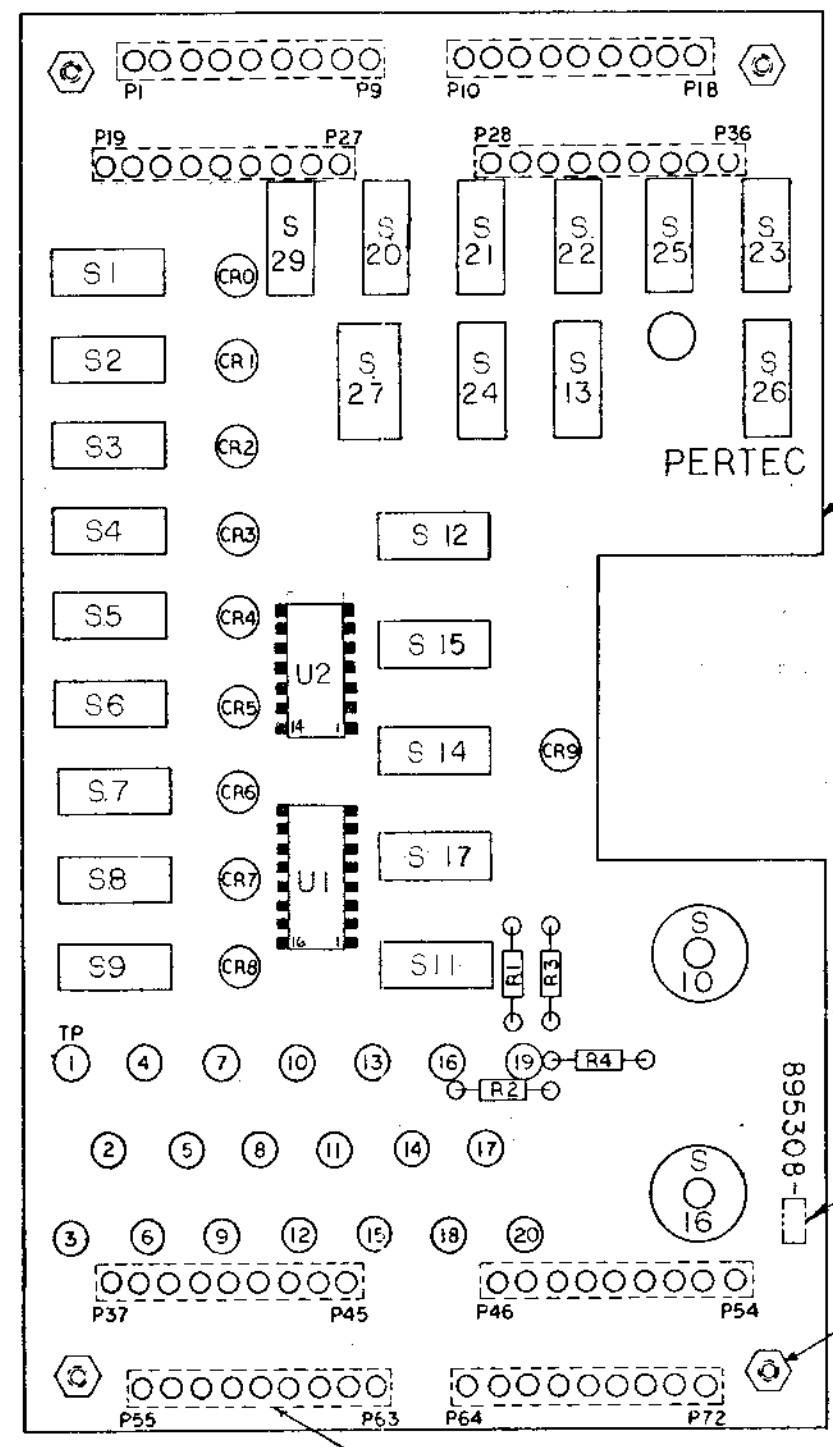
3. ASSEMBLE PER STANDARD MANUFACTURING METHODS.
2. THIS ASSY SHALL BE MADE FROM PROCESS BD 895313-01A AND SUBSEQUENT.
1. MARK WITH PART NO. 895307 AND APPLICABLE VERSION NO. AND VERSION ISSUE LETTER.
- NOTES: UNLESS OTHERWISE SPECIFIED

FEB 06 1978

895540	002
895300	001
NEXT ASSY	1ST USED ON
APPLICATION	

The information herein is the property of PERTEC CORPORATION. No portion of this data shall be released, disclosed, used, or duplicated for procurement or manufacturing purposes without specific written consent of PERTEC.		SIGNATURES		DATE	PERTEC PERIPHERAL EQUIPMENT DIVISION TITLE DISK EXERCISER LOGIC PCBA
UNLESS OTHERWISE SPECIFIED DIMENSIONS ARE IN INCHES		DR. KAIN		3-4-70	
TOLERANCES: XXX ± ANGLULAR ± 1/2° XXX ±		CHK. <i>[Signature]</i>		4/1/70	
BREAK ALL SHARP CORNERS APPROX. .010		DES			
FINISH:		ENGR			
		PROJ. ENGR <i>M. W. Cook</i>		4/1/70	
		MAIL: SEE LM			
		SIZE	CODE IDENT NO.	DWG NO.	REV
		C		895307	B
		SCALE 1:1	DO NOT SCALE DWG		SHEET 1 OF 1

REVISIONS					
REV	DESCRIPTION	DATE	DR	CHK	APPR
A	ERNB-MF (MFG EQUIP RELEASE) 4/20/64	3/27/64	SK	PL	PL
B	ECN 10518	8/1/77	SK	PL	PL
C	ECN 11063	1/25/78	SK	PL	PL



895314-01 (1)

(2)

(13)
4 PLCS
SWAGE FAR SIDE

(P1 THRU P72)
8 PLACES
FAR SIDE

SCHEMATIC 895302
REF. DRAWING

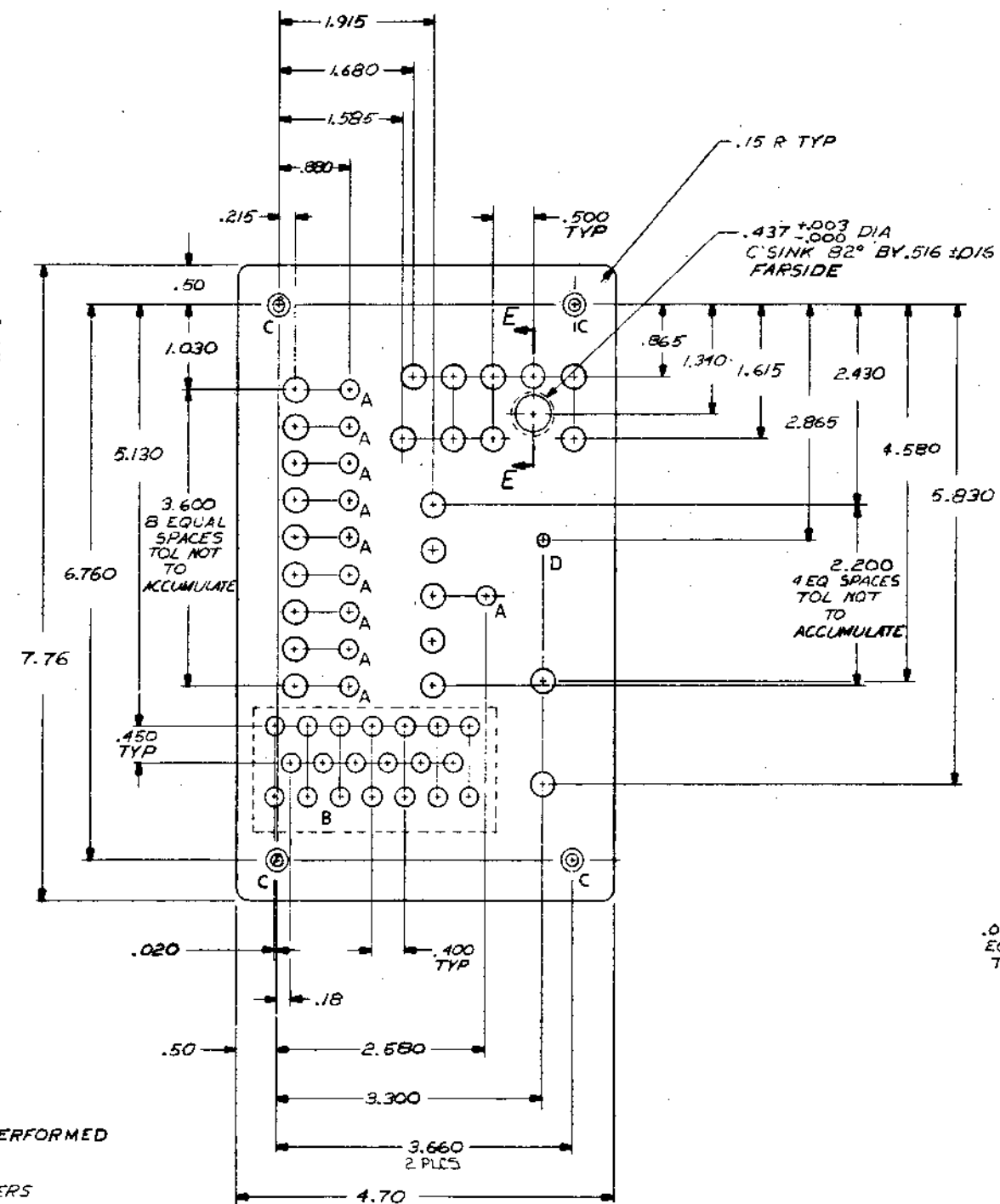
PART NO 895308- REV.

- 4. ASSEMBLE PER STANDARD MANUFACTURING METHODS.
- 3. (13) SYMBOL SIGNIFIES LM ITEM NUMBERS.
- (2) MARK VERSION NO., AND VERSION ISSUE LETTER IN AREA INDICATED.
- (1) THIS ASSY TO BE MADE USING PROCESS BOARD 895314-01 REV B AND SUBSEQUENT.

<small>The information herein is the property of PERTEC CORPORATION. No portion of this data shall be released, disclosed, used, or duplicated, for procurement or manufacturing purposes, without specific written consent of PERTEC.</small> <small>UNLESS OTHERWISE SPECIFIED DIMENSIONS ARE IN INCHES</small> TOLERANCES: HOLE ± .005 HOLE ± .005 X ± .005 Y ± .005 BREAK ALL SHARP CORNERS APPROX. .010 FINISH:	SIGNATURES	DATE	PERTEC PERIPHERAL EQUIPMENT DISK EXERCISER SWITCH PCBA		
	DR. S. KAIN	3-27-64			
	CHK. [Signature]				
	DES. [Signature]				
MATL:	SEE L/M	SIZE	CODE IDENT NO	DWG NO.	REV
		D		895308	C
		SCALE	DO NOT SCALE DWG	SHEET	OF

895300	001
NEXT ASSY	1ST USED ON
APPLICATION	

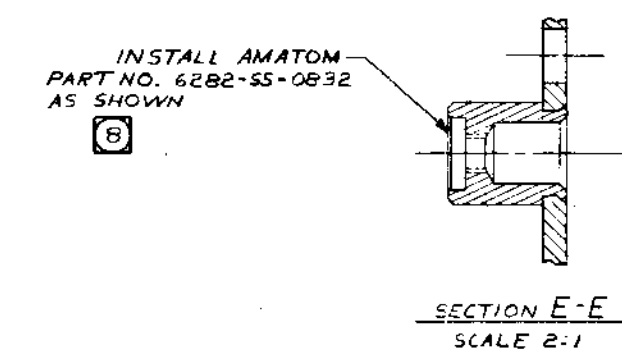
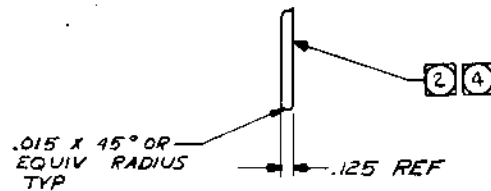
REVISIONS					
REV	DESCRIPTION	DATE	DR	CHK	APPR
4	ERN 5-WK SKETCH RELEASE	4/1/77	RAS	X	WAT
5	REVISED NOTE 2 DATE SHT 2	4/1/77	BOL		MAC
6	ADD C'SINK .375 X 100° CHOLEI	2/24/77	RV	JJ	JJ
A	ERN B-HF (TEST EQUIPT. RELEASE) 3/5K00451-6	3/1/77	SK	JJ	K.M.



APR 4 1977

HOLE TABULATION

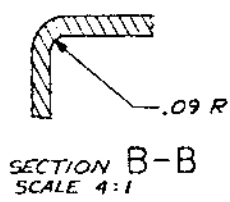
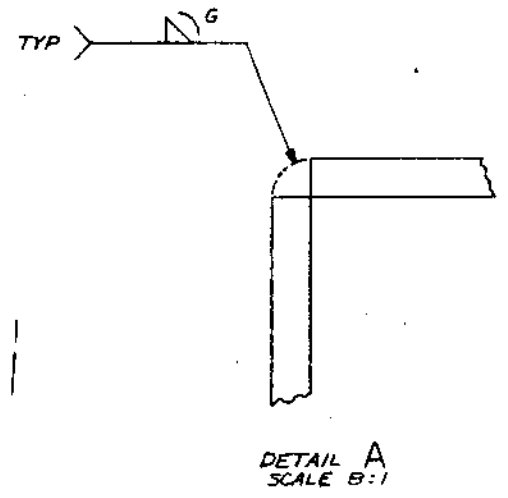
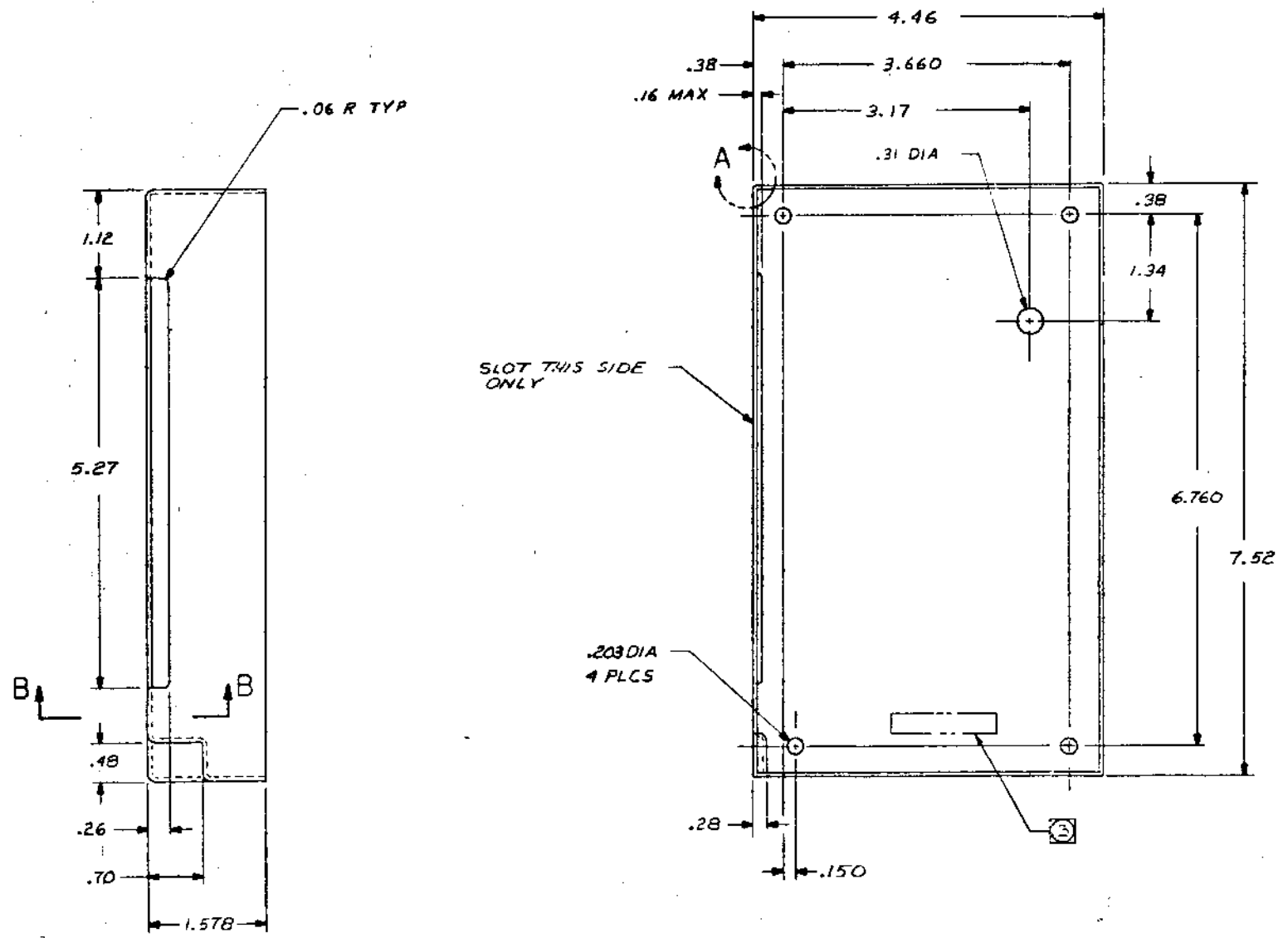
LTR	QTY	HOLE DIA.
A	10	.221 \pm .006
B	20	.152 \pm .006
C	4	.150 \pm .008
D	1	.140 \pm .008
UNMARKED	25	.290 \pm .006



- 8. INSTALLATION TO BE PERFORMED BY PERTEC.
 - 7. BREAK ALL SHARP CORNERS
 - 6. (DELETED)
 - 5. (DELETED)
 - 4. PAINT THIS SURFACE ONLY PART NO. 618-1010. DO NOT PRIME. COLOR TO SHOW FROM OPPOSITE SIDE. PAINT PER SPEC 100618, CLASS I, TYPE III AFTER APPLYING CHARACTERS PER 2.
 - 3. (DELETED)
 - 2. CHARACTERS FOR -01 PANEL PER MASTER LAYOUT 895310 AND FOR -02 PANEL PER MASTER LAYOUT 895311 TO BE OFF WHITE. PART NO. 618-9910 PER SPEC 100618 CLASS I TYPE III APPLIED TO FAR SIDE BEFORE 4.
 - 1. BAG AND TAG WITH PART NO 895308 AND APPL CABLE VERSION NO. AND VERSION ISSUE LETTER.
- NOTES: UNLESS OTHERWISE SPECIFIED:

The information herein is the property of PERTEC CORPORATION. No portion of this data shall be released, disclosed, used, or duplicated for employment or in any other manner without specific written consent of PERTEC. UNLESS OTHERWISE SPECIFIED DIMENSIONS ARE IN INCHES TOLERANCES: .XXX ± .01 ANGULAR ± 1.2° .XXX ± .005 X X BREAK ALL SHARP CORNERS APPROX. .010	SIGNATURES DR. <i>[Signature]</i> DES. <i>[Signature]</i> ENGR. <i>[Signature]</i> PROJ. ENGR. <i>[Signature]</i> DATE 4/1/77	PERTEC PERIPHERAL EQUIPMENT TITLE FRONT PANEL DISK EXERCISER
	FINISH: <i>[Symbol]</i> MATERIAL: .25 THK CLEAR ACRYLIC SHEET SCALE: 1:1 DO NOT SCALE DIM. SHEET OF	SIZE CODE: D DWG NO: 895308 REV: A

REVISIONS				
REV	DESCRIPTION	DATE	DR	CHK
3	ERN 5-WK SKETCH RELEASE	4/11/77	SK	SK
B	FROM .166 DIA. TO .301 DIA.	4/11/77	SK	SK
A	ERN 8-MF (TEST EQUIPT. RELEASE) P/3400450	4/10/77	SK	SK



APR 12 1977

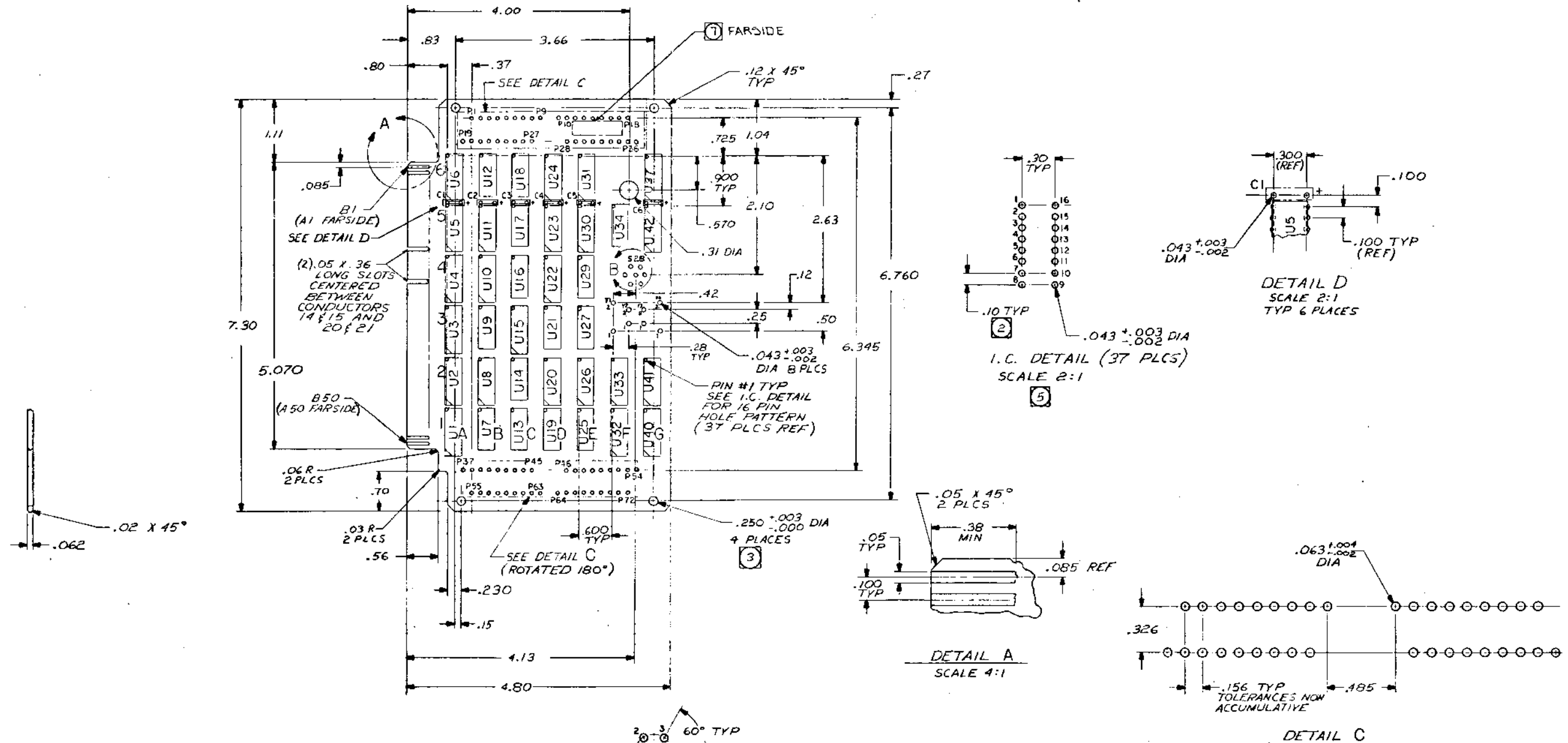
- 1. MARK PART NO. 895212-01 APPROX. WHERE SHOWN.
- 2. BEND RADII .12 MAX.
- 3. CHROMATE CONVERSION COAT. PAINT ALL EXTERNAL SURFACES WITH PART NO. 61B-9910 PER SPEC 10061B CLASS I TYPE I.

NOTES: UNLESS OTHERWISE SPECIFIED

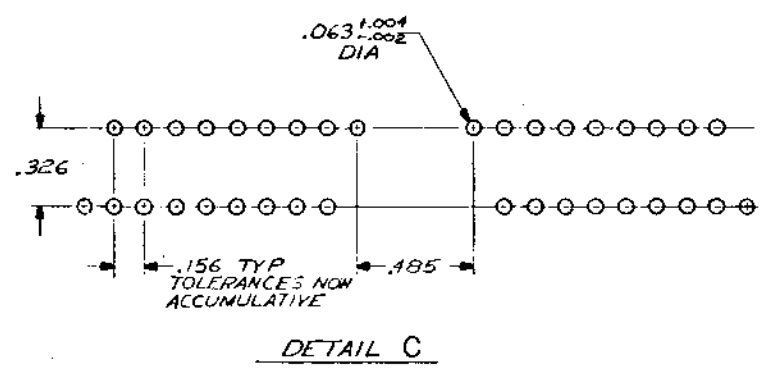
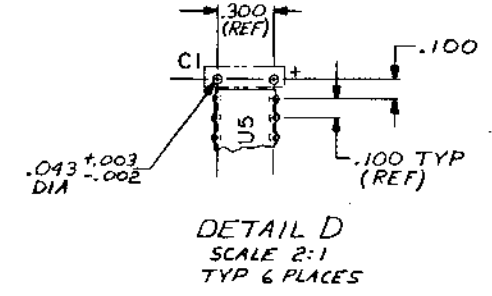
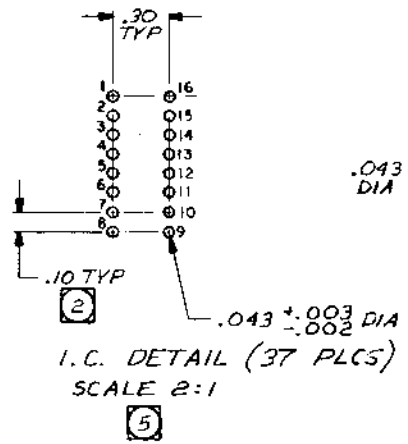
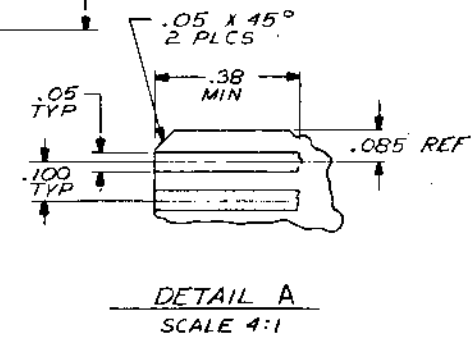
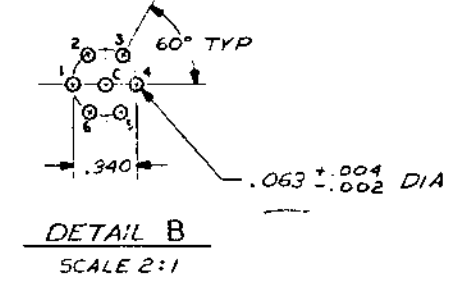
The information herein is the property of PERTEC CORPORATION and its use or disclosure for purposes other than those intended by PERTEC is prohibited.	SIGNATURES	DATE	PERTEC PERIPHERAL EQUIPMENT TITLE CHASSIS - DO1 DISK EXERCISER
	DESIGNED BY: [Signature] CHECKED BY: [Signature]	DATE: [Date]	
TOURNAMES: [Blank] JOCK: [Blank] ANGULAR: [Blank] X: [Blank]	ENGR: [Blank] PROJ ENGR: [Blank]	MATERIAL: AL ALLOY FINISH: [Blank]	SCALE: [Blank]

895212	DO1
NEXT ASSY	SEE LIST ON
APPLICATION	

REVISIONS						
REV	DESCRIPTION	DATE	DR	CHK	APPR	
7	ERN 5-WK SKETCH RELEASE	7/11/77	RAS			
A	ERN 8-WK (TEST EQUIPT RELEASE) T/S ADDAMAS	7/12/77	SK			
B	ECN 8933	7/12/77	RAN	RAN	RAN	
C	ECN 10280A	7/12/77	RAN	RAN	RAN	



- ⑦ MARK WITH PART NUMBER 895307-01 AND LATEST REV. LETTER.
 - 6. REFERENCE DOCUMENT: WIRELIST-89530A, REV. C. SCHEMATIC-895501
 - ⑤ 16 PIN IC SHOWN, FOR 14 PIN IC USE 1 THRU 7 AND 10 THRU 16.
 - 4 DELETED
 - ③ .375 DIA AREA AROUND HOLE MUST REMAIN CLEAR FOR INSERTION OF CAPTIVE NUT.
 - ② HOLES TO BE ON .10 CENTERS, TOLERANCES NON ACCUMULATIVE.
 - 1. I.C.'S PIN NO. 1 SHOWN, FOR COMPLETE PATTERN SEE DETAIL.
- NOTES UNLESS OTHERWISE SPECIFIED:

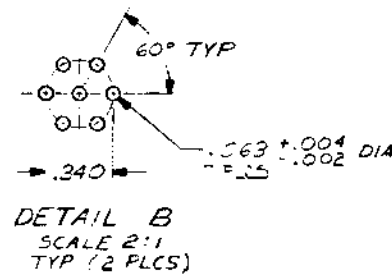
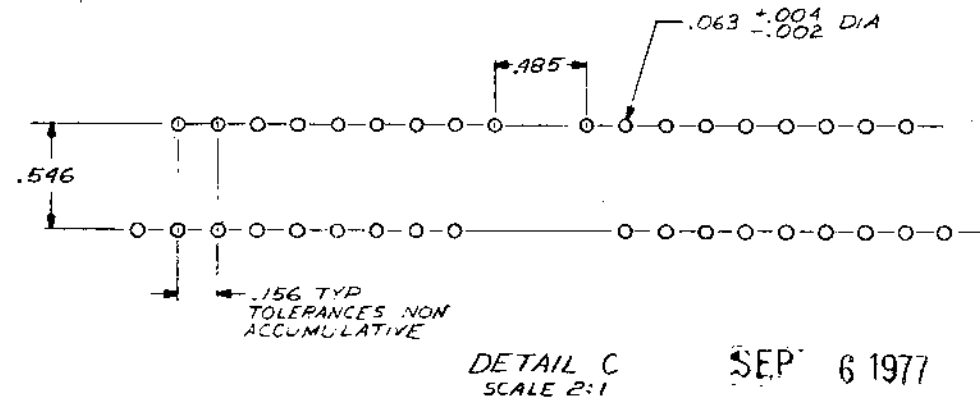
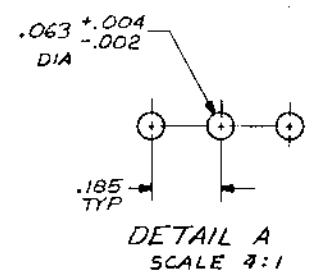
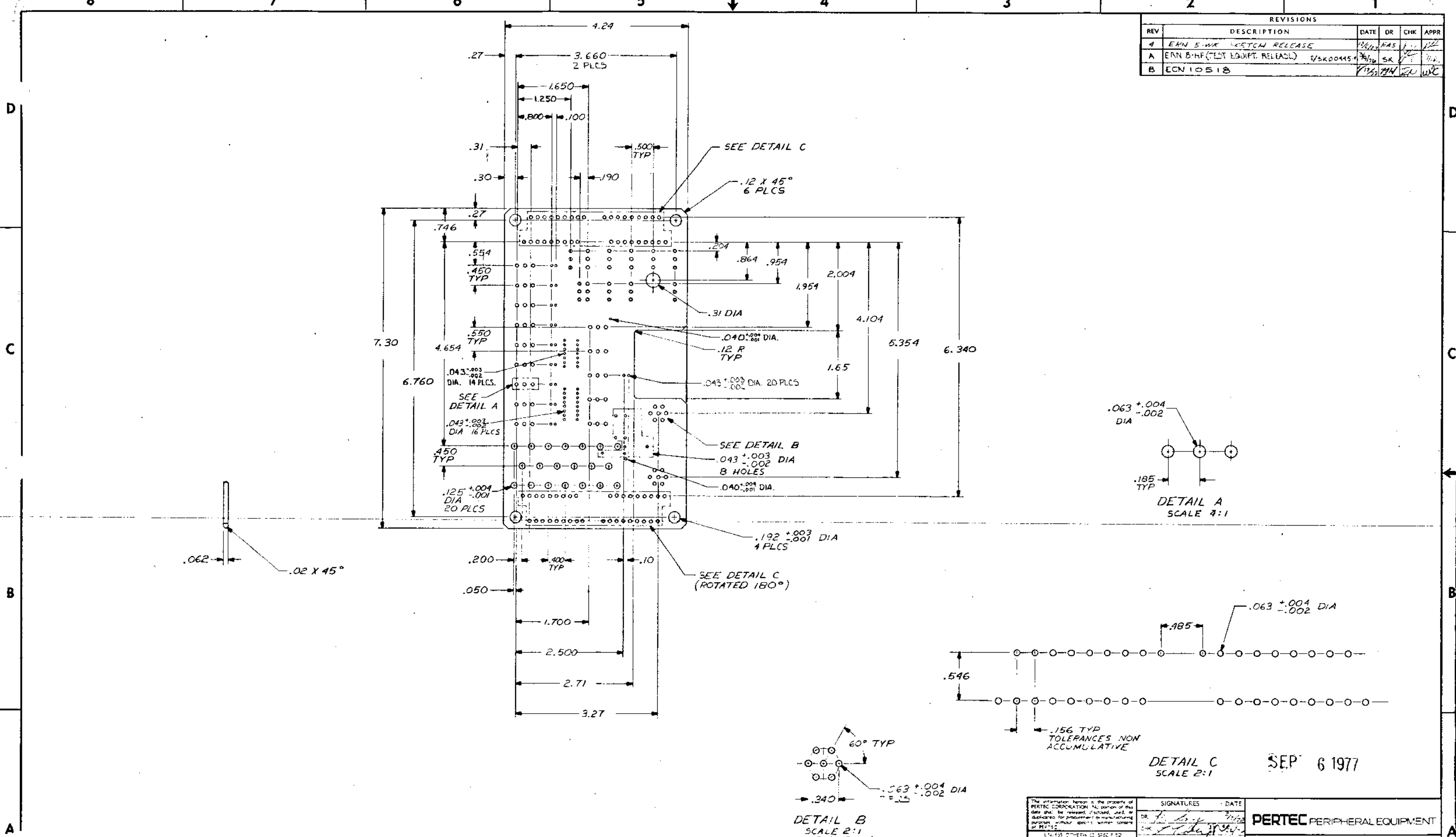


JUL 18 1977

<small>The information herein is the property of PERTEC CORPORATION. No portion of this data shall be released, disclosed, used, or duplicated for any purpose or in any manner without specific written consent of PERTEC.</small>		SIGNATURES		DATE
UNLESS OTHERWISE SPECIFIED		DES		
DIMENSIONS ARE IN INCHES		ENGR		
XXX ± .01	ANGULAR ± 1°	PROJ ENGR		
XXX ± .005				
X ± .005				
X ± .005				
BREAK ALL SHARP CORNERS APPROX. .010				
FINISH		MATERIAL		
895307 DOI		SCALE		
NEXT ASSY 1ST USED ON		SIZE CODE IDENT NO		
APPLICATION		DWG NO		
		895307		
		SCALE 1:1		
		DO NOT SCALE DWG		
		SHEET 1 OF 1		
		REV		
		C		

895307	DOI	SCALE	1:1	DO NOT SCALE DWG	SHEET	1	OF	1
--------	-----	-------	-----	------------------	-------	---	----	---

REVISIONS						
REV	DESCRIPTION	DATE	DR	CHK	APPR	
4	ERN 5-WK KETCH RELEASE	12/1/77	RAS			
A	ERN 5-WK (TEST EQUIPT. RELEASE)	10/1/77	SK			
B	ERN 10518	11/22/77	SK			



- 3. FOR PROCESS BOARD DISREGARD ALL UNNECESSARY DIMENSIONS.
 - 2. FOR MASTER LAYOUT SEE DWG 895315 REV. B.
 - 1. FABRICATE PER 101491 TYPE IL.
- NOTES UNLESS OTHERWISE SPECIFIED:

SIGNATURES		DATE	PERTEC PERIPHERAL EQUIPMENT
DR: <i>[Signature]</i>		12/1/77	
DES: <i>[Signature]</i>			
ENGR: <i>[Signature]</i>			
TITLE			REV E
PROCESS BOARD SWITCH BOARD DISK EXERCISER			
SIZE: D			
FINISH:		MATL: 1	SCALE: 1:1
PORT: 001		APP: 001	DO NOT SCALE DWG
NEXT ASSY		1ST USED ON	SHEET 7 OF 8
APPLICATION:			

5

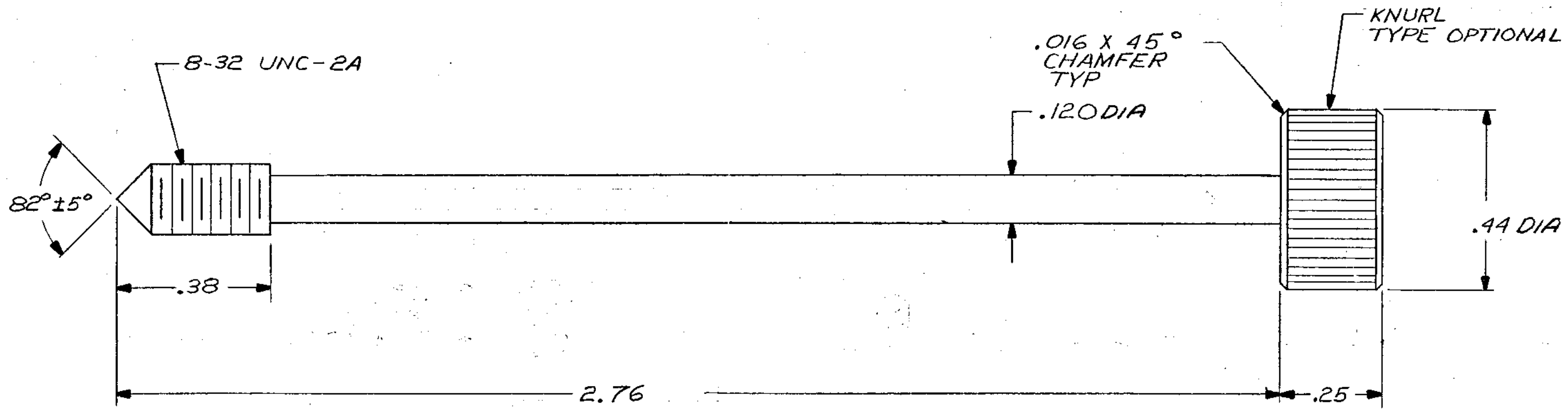
4

3

2

1

REVISIONS					
REV	DESCRIPTION	DATE	DR	CHK	APPR
2	ERN 5-WK SKETCH RELEASE	12/4/76	RAS	[Signature]	MT
A	ERN 8-HF (TEST EQUIP. RELEASE) F/5KDC00A9	3/9/76	SK	[Signature]	MI-M



2. BULK PACKAGE AND MARK WITH PART NUMBER 895316-01.

① PART ORDERED THRU J.S. BENNETT CO. HAS AMATOM NO. 6147-112-55-0832.

NOTES: UNLESS OTHERWISE SPECIFIED:

The information hereon is the property of PERTEC CORPORATION. No portion of this data shall be released, disclosed, used, or duplicated, for procurement or manufacturing purposes without specific written consent of PERTEC.

UNLESS OTHERWISE SPECIFIED DIMENSIONS ARE IN INCHES
 TOLERANCES:
 .XX ± .01 ANGULAR ± 1/2°
 .XXX ± .005
 X ±
 X ±
 BREAK ALL SHARP CORNERS APPROX. .010

SIGNATURES	DATE
DR. <i>R. Long</i>	12/15/76
CHK <i>K. Tally</i>	12/21/76
DES	
ENGR <i>Jacobson</i>	12/15/76
PROJ. ENGR <i>R. Thompson</i>	

PERTEC PERIPHERAL EQUIPMENT			
TITLE DOI DISK EXERCISER CAPTIVE SCREW			

895300	DO 1
NEXT ASSY	1ST USED ON
APPLICATION	

FINISH:
 CAD PLATE TYPE I
 OR ZINC PLATE

MATL:
 ①

SIZE B	CODE IDENT NO.	DWG NO. 895316	REV A
SCALE 4:1	DO NOT SCALE DWG	SHEET 1 OF 1	

5

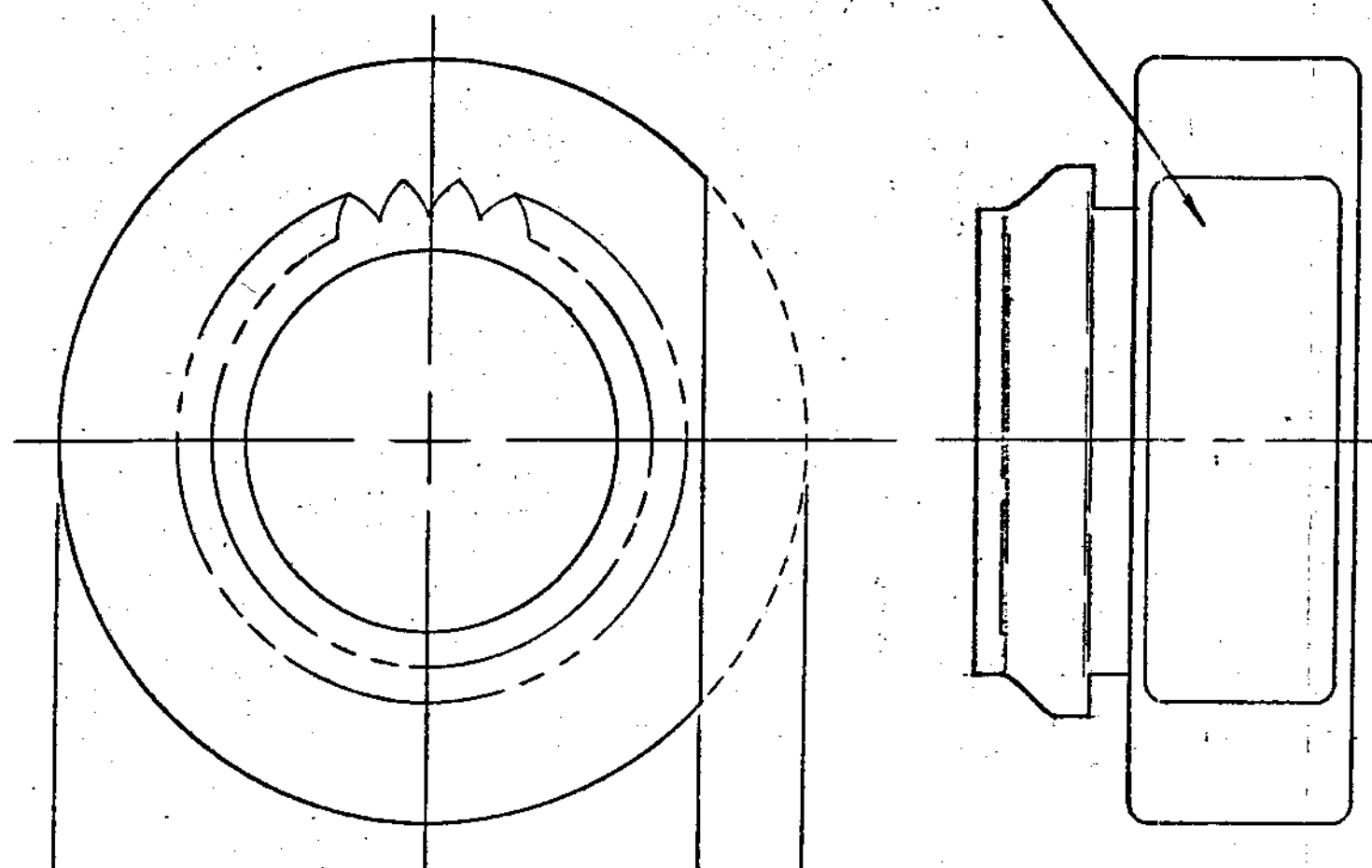
4

3

2

REVISIONS				
REV	DESCRIPTION	DATE	DR	CHK
0	ERN 8-HF (TEST EQUIPT. RELEASE)	3/15/76	SK	W. W. C.

REV. A
DWG. NO. 895317



APR 12 1977

QTY. REQD.	PART NO.	DESCRIPTION	MATERIAL	REF. DES.	ITEM NO.
------------	----------	-------------	----------	-----------	----------

LIST OF MATERIAL

The information hereon is the property of PERTEC CORPORATION. No portion of this data shall be released, disclosed, used, or duplicated, for procurement or manufacturing purposes without specific written consent of PERTEC.

SIGNATURES	DATE
DR. G. MERIT	3/15/76
CHK. <i>[Signature]</i>	4/22/76
DES	
ENGR	
PROJ. ENGR <i>[Signature]</i>	<i>[Signature]</i>

UNLESS OTHERWISE SPECIFIED
DIMENSIONS ARE IN INCHES
TOLERANCES:
.XX ± .003 ANGULAR ± 1/2°
.XXX ± .010

BREAK ALL SHARP CORNERS APPROX. .010

PERTEC PERIPHERAL EQUIPMENT

TITLE
PEM FASTENER
SWAGE NUT—
MODIFIED

.07 ± .01

.344

B. BULK PACKAGE AND MARK WITH PART NO. 895317-01.

A. MAKE FROM PEM SELF-CLINCHING FASTENER P/N KFS-2-832
 REMOVE MATERIAL FROM ONE SIDE ONLY AND DEBURR.

NOTES: UNLESS OTHERWISE SPECIFIED

895307	001
NEXT ASSY	1ST USED ON
APPLICATION	

FINISH:	MATL:	SIZE	CODE IDENT NO.	DWG NO.	REV
	<input checked="" type="checkbox"/>	B		895317	A
		SCALE	DO NOT SCALE DWG		SHEET / OF /
		NONE			