

# SERVICE LETTER

DATE: 2/26/73

NUMBER: DK3003

SUBJECT: DATA RELIABILITY

PRODUCT EFFECTED: All D3000 series disks shipped prior to March 1, 1973. (Logic PCBA)

INFORMATION: A problem of data reliability at reduced (1/3) gain on a D3000 disk has been uncovered by the Q.A. Department.

C-25 has been either misinstalled in wrong locator holes (see Fig. 1.A) and/or has been given the wrong value (47PF as opposed to 470 PF) on the Logic PCBA.

ACTION: Although Q.A. generally believes that no units have been shipped from Pertec with these problems, a possibility exists that one or two units may be in the field with either of these problems. If data errors occur only at 1/3 gain, it would be worthwhile checking to see that C-25 is installed properly and is the proper value.

DIAGRAM CORRECTION: None

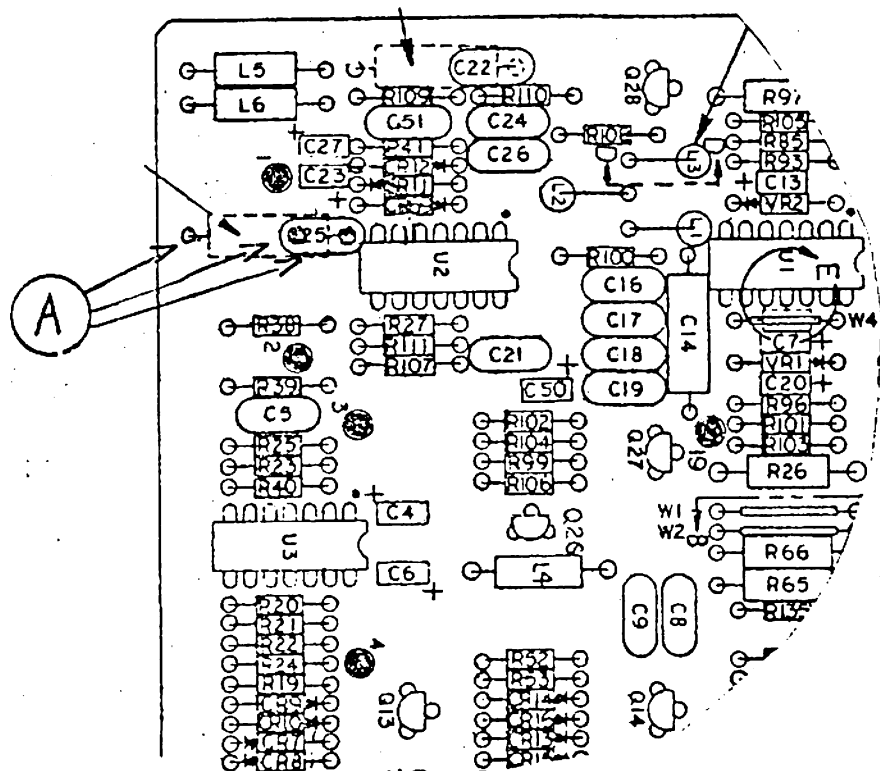


FIGURE 1.A

## PERTEC

CUSTOMER SERVICE

PRODUCT SUPPORT