

PERIPHERAL EQUIPMENT DIVISION

TITLE HI-POT TESTING			PIB NO. DK3071						
PRODUCT LINE: TAPE DISK FORMATTER X	EQUIPMENT CHANGED Power Supply	MODEL SERIES AFFECTED D3000	EFFECTIVE DATE 7/25/77						
CLASS OF BULLETIN: <input type="checkbox"/> IMPROVEMENT <input type="checkbox"/> RETROFIT ON FAILURE <input checked="" type="checkbox"/> RETROFIT RECOMMENDED <input type="checkbox"/> SERVICE INFORMATION ONLY	ORDER PART KIT NO. N/A	EFFECTIVITY 103581-01 Rev. D or E 103581-02 Rev. D or E 103581-05/-06/-07/-08 Rev. A Units having Motor Control PCBA 103571-XX mounted with 3/16 inch spacers (previously 3/8 inch).							
PURPOSE: To inform customers that certain Disks (see effectivity) may not pass the alternate method of the C.S.A. Hi-Pot Test.									
SYMPTOMS: All C.S.A. approved units will pass @ 1000 VAC for 60 seconds, but may not pass @ 1700 VDC for 15 seconds.									
PARTS REQUIRED: <table border="1"> <thead> <tr> <th>QTY.</th> <th>NOMENCLATURE</th> <th>PERTEC P/N</th> </tr> </thead> <tbody> <tr> <td>1</td> <td>Screw, nylon 10-33 X3/8</td> <td>615-0091</td> </tr> </tbody> </table>				QTY.	NOMENCLATURE	PERTEC P/N	1	Screw, nylon 10-33 X3/8	615-0091
QTY.	NOMENCLATURE	PERTEC P/N							
1	Screw, nylon 10-33 X3/8	615-0091							
SPECIAL TOOLS: NONE									
INSTALLATION PROCEDURE: <ol style="list-style-type: none"> 1. Remove power from unit. 2. Raise Logic PCBA. 3. Remove Motor Control Protective Cover (marked Danger High-Voltage). 4. Remove the Motor Control PCBA P/N 103571-0X. 5. Remove the screw, Phillips pan head 10-32 X3/8 closest to the heads (see figure 1). 6. Install Nylon Screw, P/N 615-0091 (see figure 1). 7. Return to original configuration. 									
ADJUSTMENTS: NONE									
TEST PROCEDURES: NONE									
BOARD/DRAWING/MANUAL CHANGES: Reidentify Power Supply: 103581-01/-02 Rev. D to +3071 103581-01/-02 Rev. E to Rev. F 103581-05,06,07,08 Rev. A to Rev. B									
TIME REQUIRED: .25 Hrs.									

Should Additional Information Be Required — Contact

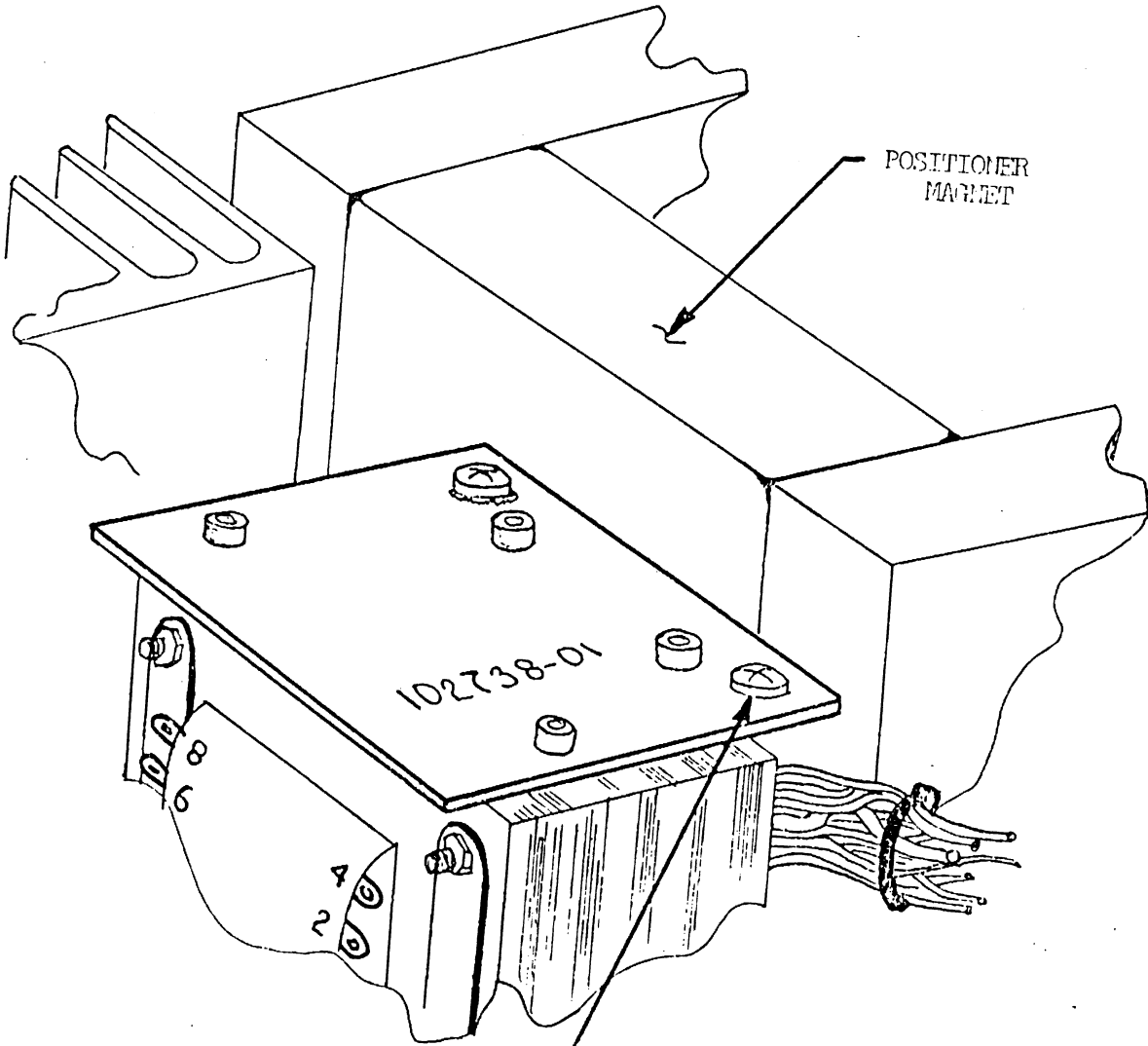
PERTEC

PERIPHERAL EQUIPMENT DIVISION
 9600 Irondale Avenue, Chatsworth, California 91311
 Phone (213) 882-0030 / TWX (910) 494-2093
 ATTENTION: PRODUCT SUPPORT MANAGER

DISTRIBUTION CODE 6318

TITLE HI-POT TESTING

PIB NO.
DK3071



REMOVE & REPLACE THIS
SCREW WITH
NYLON SCREW P/N 615-0091

Figure 1.