

PERIPHERAL EQUIPMENT DIVISION

TITLE				NEW MOTOR CONTROL PCBA 103571		PIB NO. DK3059	
PRODUCT LINE:	TAPE DISK FORMATTER	EQUIPMENT CHANGED FROM TO	MODEL SERIES AFFECTED		EFFECTIVE DATE		
		102826 - 103571	D3000		July 30, 1976		

CLASS OF BULLETIN:	ORDER PART KIT NO.	EFFECTIVITY
<input checked="" type="checkbox"/> IMPROVEMENT	N/A	IMMEDIATE
<input type="checkbox"/> RETROFIT ON FAILURE		
<input type="checkbox"/> RETROFIT RECOMMENDED		
<input checked="" type="checkbox"/> SERVICE INFORMATION ONLY		

PURPOSE:

To inform all D3000 users of the use of a new motor control PCBA. The new motor control PCBA (P/N 103571) has been designed to qualify for UL approval and the old motor control PCBA (P/N 102826) is no longer available.

All new orders for old motor control PCBA's will result in a new motor control PCBA plus an adapter cable set (P/N 103657) being sent as a replacement.

INFORMATION:

The adapter cable set (P/N 103657) consist of three cables.

NOTE: These cable assemblies connect directly to the connectors that previously connected to the old motor control PCBA.

CONNECTION (Refer to Figure 1.)

J401 - Connection remains the same.

J402 - Pin position and spacing is changed. P/N 103657-05 connects cable assembly to J402 of the new motor control PCBA and to the connector P402 coming from the power supply P/N 102741.

J403, J404 - Pin position and spacing is changed. P/N 103657-02 cable assembly connects to either J403 (110VAC motor capacitor) or J404 (220VAC motor capacitor) and to the existing P403 or P404.

J405, J406 - Pin position and spacing and usage have changed. P/N 103657-01 Before J406 was 220VAC and J405 was 110VAC. Now J405 and J406 are used in conjunction with each other. Cable assembly P/N 103657-01 now connects to J405 and J406 and terminates at P456. P456 connects to the existing P405 or P406.

Should Additional Information Be Required - Contact

PERTEC

PERIPHERAL EQUIPMENT DIVISION
9600 Irondale Avenue, Chatsworth, California 91311
Phone (213) 882-0030 / TWX (910) 494-2093
ATTENTION: PRODUCT SUPPORT MANAGER

Distribution Code - 6318

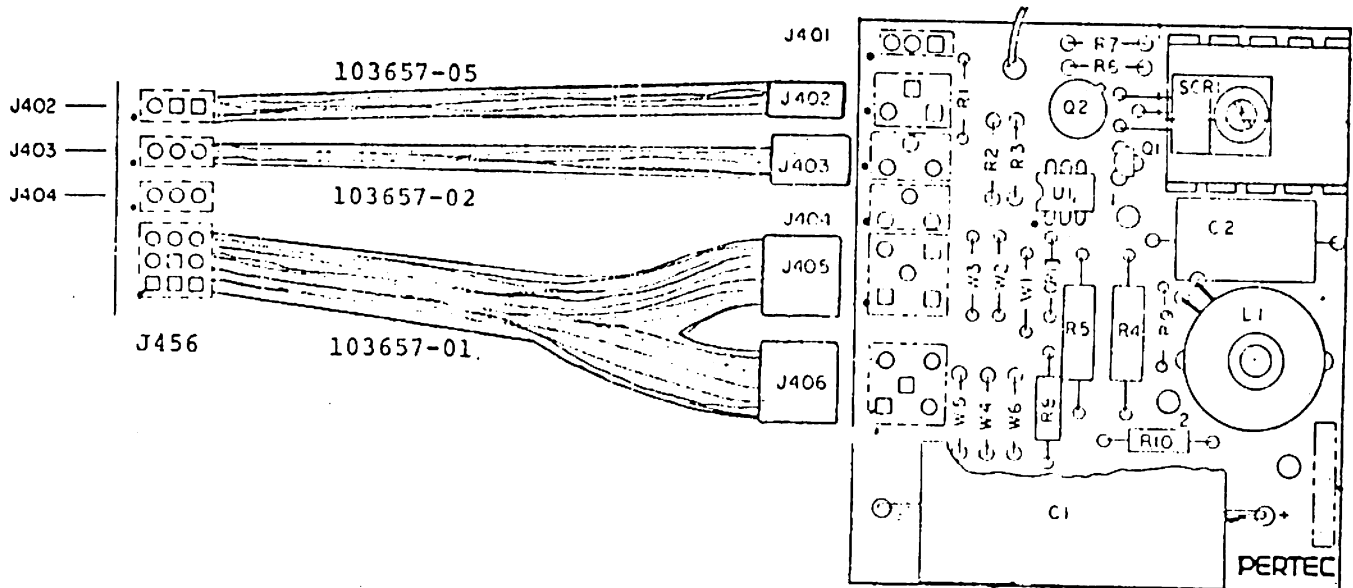
TITLE NEW MOTOR CONTROL PCBA 103571

PIB NO.
DK3059

JUMPER CONFIGURATION

Refer to Figure 1 for jumper location. Use the following table to verify the proper jumper configuration prior to installation.

	103751-01 110VAC	103751-02 220VAC
W1	use	omit
W2	omit	use
W3	use	omit
W4	use	omit
W5	use	omit
W6	omit	use

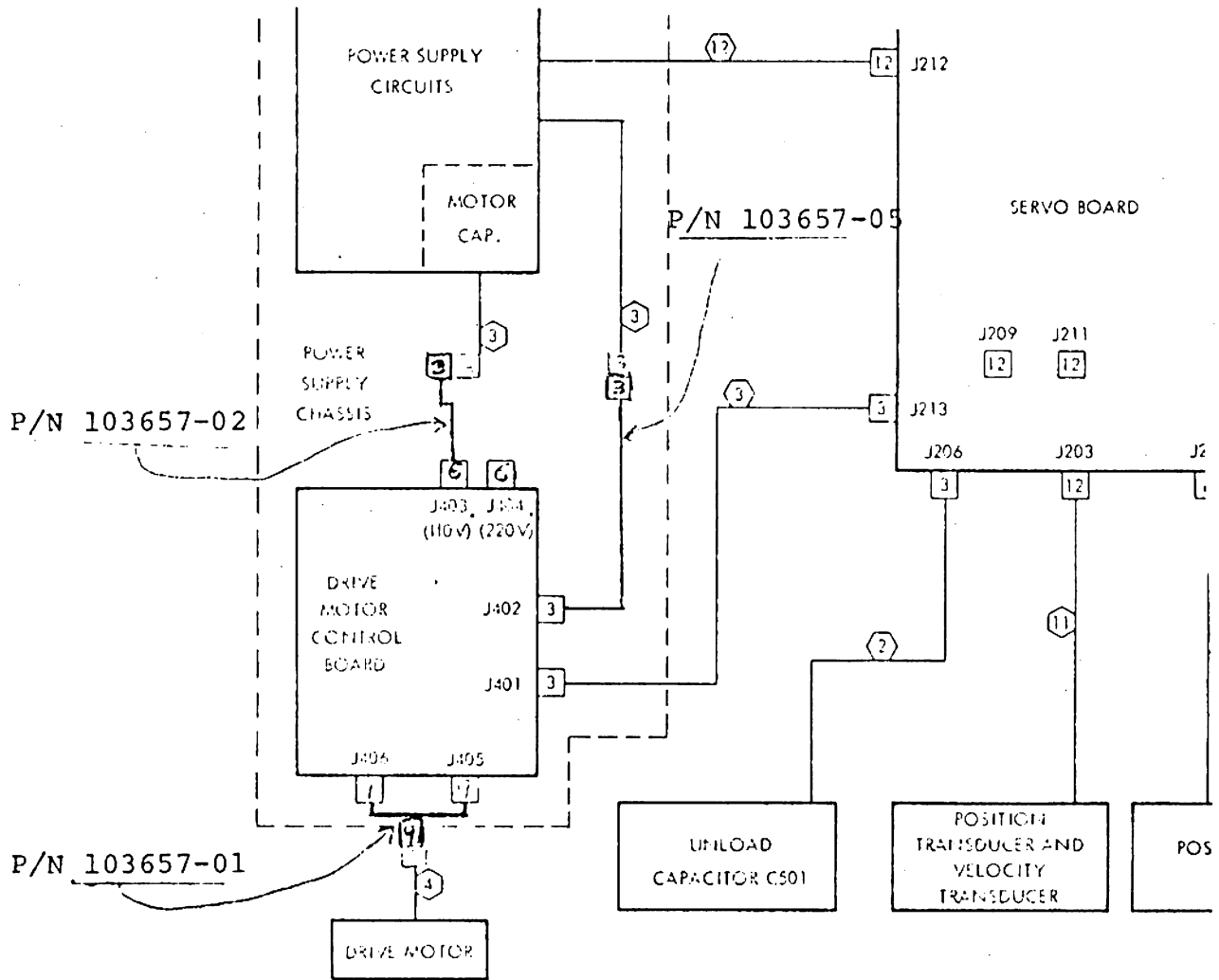


MOTOR CONTROL PCBA
P/N 103571

FIGURE 1

TITLE NEW MOTOR CONTROL PCBA 103571

PIB NO.
DK3059



- ⬡ DENOTES NUMBER OF CONDUCTORS
- DENOTES CONNECTOR TYPE (e.g. 3 PIN)
- () DENOTES NUMBER OF SIGNALS

FIGURE 2