

PERIPHERAL EQUIPMENT DIVISION

TITLE FALSE TRIGGERING OF DRIVE MOTOR			PIB NO. DK3049	
PRODUCT LINE:	TAPE DISK FORMATTER <input checked="" type="checkbox"/>	EQUIPMENT CHANGED SERVO PCBA 102811	MODEL SERIES AFFECTED D3000	EFFECTIVE DATE February 15, 1976
CLASS OF BULLETIN: <input type="checkbox"/> IMPROVEMENT <input checked="" type="checkbox"/> RETROFIT ON FAILURE <input type="checkbox"/> RETROFIT RECOMMENDED <input type="checkbox"/> SERVICE INFORMATION ONLY		ORDER PART KIT NO.	EFFECTIVITY All D3000 Disk Drives	
PURPOSE: To add filter capacitors to eliminate false triggering of drive motor, which can occur if high voltage transients are present on line voltage.				
SYMPTOMS: Emergency unloads due to disk speed errors.				
PARTS REQUIRED:				
A. PERTEC Parts				
	<u>QUANTITY</u>	<u>PART NUMBER</u>	<u>DESCRIPTION</u>	
	3	139-1051	Capacitor, 1.0uF ± 10%, 50 V DC	
B. OTHER APPROVED VENDORS				
		<u>VENDOR</u>	<u>TYPE NUMBER</u>	
		Kemet	T310A105K050AS	
		Dickson	D1R0EA50KI	
SPECIAL TOOLS REQUIRED: None				
REWORK INSTRUCTIONS:				
1.0 Connect one capacitor across CR34, observing polarity as shown in Figure 1. This capacitor is designated C73.				
2.0 Connect other capacitor across R209, observing polarity as shown in Figure 2. This capacitor is designated C74				

Could Additional Information Be Required — Contact

PERTEC

PERIPHERAL EQUIPMENT DIVISION
9600 Irondale Avenue, Chatsworth, California 91311
Phone (213) 882-0030 / TWX (910) 494-2093
ATTENTION: PRODUCT SUPPORT MANAGER
PERTEC 20 K012C(1)

Distribution Code - 6318

TITLE FALSE TRIGGERING OF DRIVE MOTOR

PIB NO.
DK3049

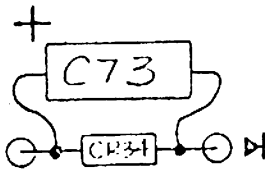


Figure 1

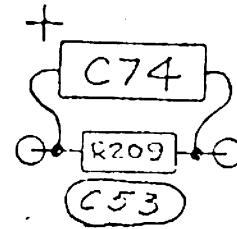


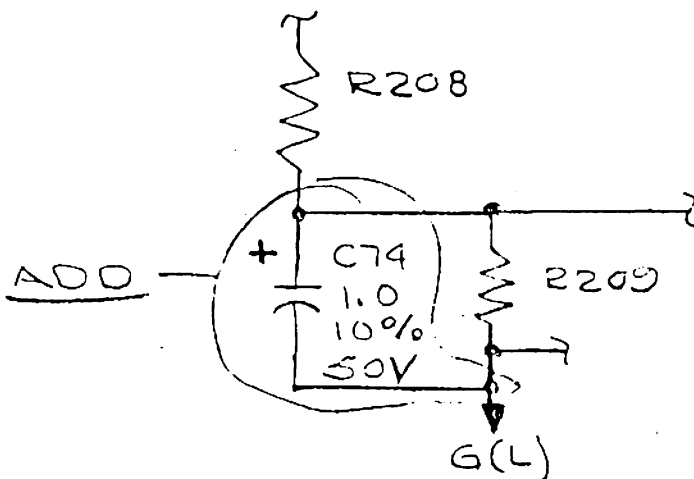
Figure 2

ADJUSTMENTS:

None required

DRAWING CHANGES:

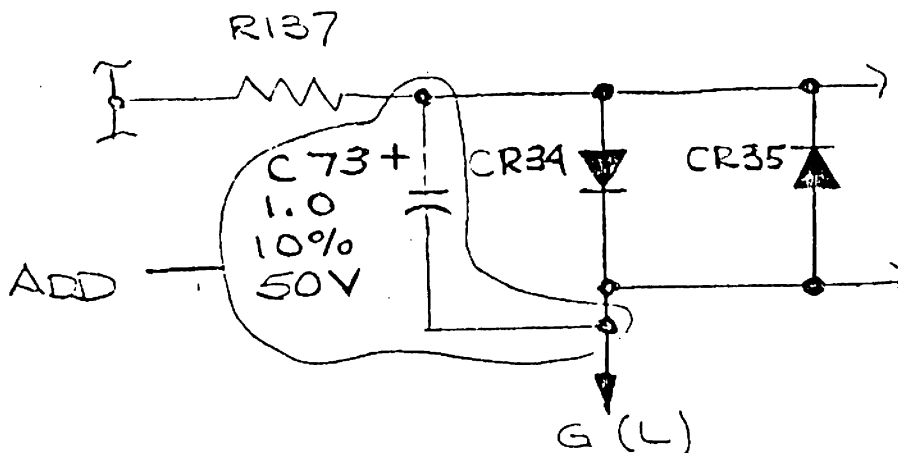
Drawing 102810, Sheet 1, zone 5C
Add C74 as shown



TITLE FALSE TRIGGERING OF DRIVE MOTOR

PIB NO.
DK3049

DRAWING 102810, Sheet 1 zone 5D
Add C73 as shown



REVISION LEVELS:

After incorporation of this Product Improvement Bulletin, reidentify PCBA by adding "+ECN 8064 (partial)" after the assembly part number, 102811-01, -02, -04, -31, -32, or -34.

TIME REQUIRED:

30 minutes