

REV	DESCRIPTION	DATE	BY	CHK	APP
1	PERN 4-12 PRE-PROD, B REV 422, CEN 4954				
2	PERN 4-12 PRE-PROD, B REV 422, CEN 4954				
3	PERN 4-12 PRE-PROD, B REV 422, CEN 4954				
4	PERN 4-12 PRE-PROD, B REV 422, CEN 4954				
5	PERN 4-12 PRE-PROD, B REV 422, CEN 4954				
6	PERN 4-12 PRE-PROD, B REV 422, CEN 4954				
7	PERN 4-12 PRE-PROD, B REV 422, CEN 4954				
8	PERN 4-12 PRE-PROD, B REV 422, CEN 4954				

- 13 USE 667-0028 SPARINGLY ON BOTH ENGAGING THREADS
- 14 TO ASSURE REQUIRED CLEARANCE FOR NEXT ASSEMBLY INSPECT WITH BASE CASTING SIMULATOR TOOL.
- 1 FOR PROPER ASSEMBLY FIT SHIFT SUPPORT PLATE IN DIRECTION SHOWN (TO TAKE UP HOIF CLEARANCES), BEFORE TIGHTENING OF SCREWS.
- 2 SHRINK SLEEVING 669-0038 ON ALL UNUSED TERMINALS.
- 3 FOR -C2 & -C4 VERSIONS (NO ISOLATION) DELETE CONNECTION FROM L2 TO C9 (-) (MAIN GROUND TO CHASSIS GROUND).
- 4 REMOVE OUTER SHEATH OF INSULATION BEYOND STRAIN RELIEF.
- 5 MARK ASSEMBLY WITH 102741 INCLUDING VERSION NUMBER AND VERSION ISSUE LETTER IN APPROX LOCATION SHOWN, FAR SIDE.
- 6 REFERENCE DESIGNATIONS ARE USED FOR PURPOSE OF SPECIFYING ASSEMBLY AT THIS LEVEL AND MAY NOT APPEAR ON ACTUAL COMPONENTS.
- 7 USE SLEEVING 669-0080 OVER WIRE BUNDLE ADJACENT TO THE CHASSIS BRACKET RETAINING C9 AND C10.
- 8 AFTER WIRING TRANSFORMER TERMINALS, COVER ALL TERMINALS BY SHRINKING 669-0038 IN PLACE OVER TERMINAL. USE TAPE 667-0549 IF NECESSARY TO COVER ALL EXPOSED PORTIONS OF THE TERMINAL.
- 9 MARK REFERENCE DESIGNATION AS INDICATED ON RECEPTACLE, ORIENT AS SHOWN.
- 10 DURING INSTALLATION, CARE MUST BE TAKEN TO SEE THAT CONTAMINATION HAS BEEN REMOVED FROM MATING SURFACES AND THAT THESE SURFACES DO NOT TRAP CONTAMINATION. COAT MOUNTING SURFACE OF 320-9802 WITH A THIN FILM OF 665-0002 COMPOUND (MINIMUM OF 90% COVERAGE) PRIOR TO MOUNTING. TORQUE SCREWS TO 10 ± 2 INCH POUNDS. WIPE EXCESS 665-0002 COMPOUND FROM COMPLETED ASSEMBLY.
- 11 AFTER WIRING FUSEHOLDER, SHRINK PART NO 669-0023 IN PLACE OVER FUSEHOLDER AS SHOWN (XF1 ONLY).
- 12 THE WRAP AT 2 1/2 IN MAX INTERVALS.
- 13 USE 2 STRIPS OF 667-0028 BETWEEN C13 & C4.

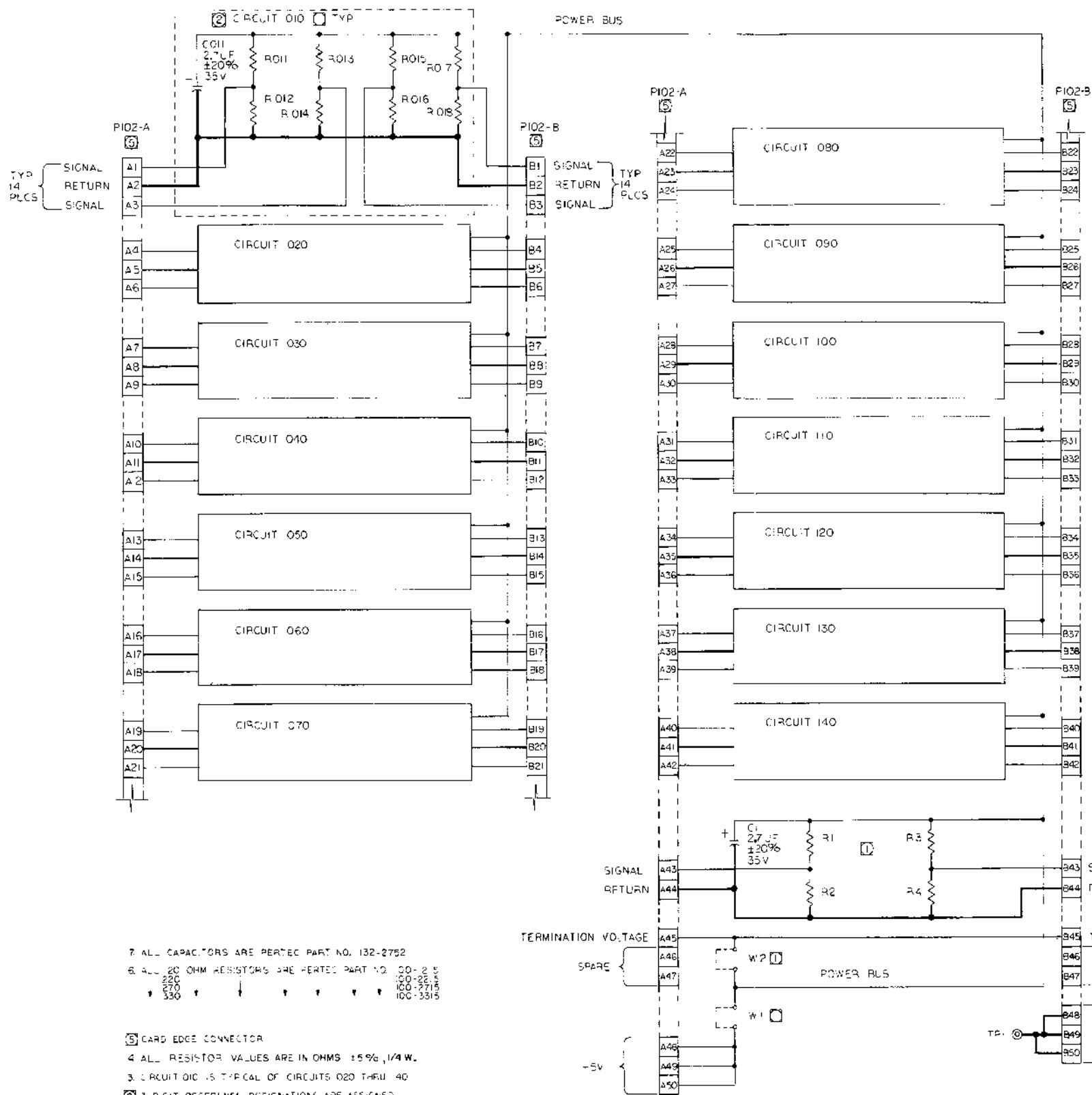
NOTES: UNLESS OTHERWISE SPECIFIED.

FOR WIRE LIST SEE 103622  
FOR SCHEMATIC SEE 102742

TOP 4534 04002	FINISH:	MAIL:	SEE LM
NEXT ASSY:	LET DATE ON:	DATE:	REV: E
APPLICATION:			102741

PERTEC PERIPHERAL EQUIPMENT  
TITLE: POWER SUPPLY ASSEMBLY

REVISIONS				
REV	DESCRIPTION	DATE	BY	CHK
A	EPN 8-5W PRE-PRODUCTION RELEASE	10/20/66	WAS	WAS
AI	EPN 8-5W PRODUCTION RELEASE	11/15/66	WAS	WAS
AI	ECN 5906	12/15/66	WAS	WAS



Note:  
 USE Ver Q3 with 103726-Q2D  
 USE Ver Q7 with 103726-Q2

DFQ No Jumps  
 DF1 W2

REFERENCE DESIGNATIONS			
LAST USED		DELETED	
BASIC	REPETITIVE	BASIC	REPETITIVE
C1	CM1		
R4	R14B		
TP1			
W2			

- 7. ALL CAPACITORS ARE PERTEC PART NO. 132-2752
- 6. ALL 20 OHM RESISTORS ARE PERTEC PART NO. 100-2515
- 5. ALL 10 OHM RESISTORS ARE PERTEC PART NO. 100-2715
- 4. ALL 5 OHM RESISTORS ARE PERTEC PART NO. 100-3315

- ⑤ CARD EDGE CONNECTOR
  - ④ ALL RESISTOR VALUES ARE IN OHMS ±5% 1/4 W.
  - ③ CIRCUIT 010 IS TYPICAL OF CIRCUITS 020 THRU 40
  - ② 3 DIGIT REFERENCE DESIGNATIONS ARE ASSIGNED TO REPETITIVE CIRCUITS
  - ① SEE VERSION TABLE, SHEET 2, FOR VALUE OR USAGE.
- NOTES: UNLESS OTHERWISE SPECIFIED

PERTEC PERIPHERAL EQUIPMENT CORPORATION	TITLE SCHEMATIC, 1/2 TERMINATION BD	DATE 10/20/66	BY WAS	CHK WAS
102801 0-5000 NEXT SIZE 1" X 5/8" DIA APPLICATION	FINISH NONE	SIZE E	DWG NO. 102800	REV AI

	-01	-02	-03	-04	-05	-06
RO11	OMIT	OMIT	220	120	120	220
RO12			330	OMIT	OMIT	330
RO13			220	120	120	220
RO14			330	OMIT	OMIT	330
RO15			220	120	120	220
RO16			330	OMIT	OMIT	330
RO17			220	120	120	220
RO18			330	OMIT	OMIT	330
RO21			220	120	120	220
RO22			330	OMIT	OMIT	330
RO23			220	120	120	220
RO24			330	OMIT	OMIT	330
RO25			220	120	120	220
RO26			330	OMIT	OMIT	330
RO27			220	120	120	220
RO28			330	OMIT	OMIT	330
RO31			220	120	120	220
RO32			330	OMIT	OMIT	330
RO33			220	120	120	220
RO34			330	OMIT	OMIT	330
RO35			220	120	120	220
RO36			330	OMIT	OMIT	330
RO37			220	120	120	220
RO38			330	OMIT	OMIT	330
RO41			220	120	120	220
RO42			330	OMIT	OMIT	330
RO43			220	120	120	220
RO44			330	OMIT	OMIT	330
RO45			220	120	120	220
RO46			330	OMIT	OMIT	330
RO47			220	120	120	220
RO48			330	OMIT	OMIT	330
RO51			220	120	120	220
RO52			330	OMIT	OMIT	330
RO53			220	120	120	220
RO54			330	OMIT	OMIT	330
RO55			220	120	120	220
RO56			330	OMIT	OMIT	330
RO57			220	120	120	220
RO58			330	OMIT	OMIT	330
RO61			220	120	120	220
RO62			330	OMIT	OMIT	330
RO63			220	120	120	220
RO64			330	OMIT	OMIT	330
RO65			220	120	120	220
RO66			330	OMIT	OMIT	330
RO67			220	120	120	220
RO68			330	OMIT	OMIT	330
RO71			220	120	120	220
RO72			330	OMIT	OMIT	330
RO73			220	120	120	220
RO74			330	OMIT	OMIT	330
RO75			220	120	120	220
RO76			330	OMIT	OMIT	330
RO77			220	120	120	220
RO78	OMIT	OMIT	330	OMIT	OMIT	330

	-01	-02	-03	-04	-05	-06
RO81	OMIT	220	220	120	270	220
RO82		330	330	OMIT	OMIT	330
RO83		220	220	120	270	220
RO84		330	330	OMIT	OMIT	330
RO85		220	220	120	270	220
RO86		330	330	OMIT	OMIT	330
RO87		220	220	120	270	220
RO88		330	330	OMIT	OMIT	330
RO91		220	220	120	270	220
RO92		330	330	OMIT	OMIT	330
RO93		220	220	120	270	220
RO94		330	330	OMIT	OMIT	330
RO95		220	220	120	270	220
RO96		330	330	OMIT	OMIT	330
RO97		220	220	120	270	220
RO98		330	330	OMIT	OMIT	330
RI01		220	220	120	270	220
RI02		330	330	OMIT	OMIT	330
RI03		220	220	120	270	220
RI04		330	330	OMIT	OMIT	330
RI05		220	220	120	270	220
RI06		330	330	OMIT	OMIT	330
RI07		220	220	120	270	220
RI08		330	330	OMIT	OMIT	330
RI11		220	220	120	270	220
RI12		330	330	OMIT	OMIT	330
RI13		220	220	120	270	220
RI14		330	330	OMIT	OMIT	330
RI15		220	220	120	270	220
RI16		330	330	OMIT	OMIT	330
RI17		220	220	120	270	220
RI18		330	330	OMIT	OMIT	330
RI21		220	220	120	270	220
RI22		330	330	OMIT	OMIT	330
RI23		220	220	120	270	220
RI24		330	330	OMIT	OMIT	330
RI25		220	220	120	270	220
RI26		330	330	OMIT	OMIT	330
RI27		220	220	120	270	220
RI28		330	330	OMIT	OMIT	330
RI31		220	220	120	270	220
RI32		330	330	OMIT	OMIT	330
RI33		220	220	120	270	220
RI34		330	330	OMIT	OMIT	330
RI35		220	220	120	270	220
RI36		330	330	OMIT	OMIT	330
RI37		220	220	120	270	220
RI38		330	330	OMIT	OMIT	330
RI41		220	220	120	270	220
RI42		330	330	OMIT	OMIT	330
RI43		220	220	120	270	220
RI44		330	330	OMIT	OMIT	330
RI45		220	220	120	270	220
RI46		330	330	OMIT	OMIT	330
RI47		220	220	120	270	220
RI48		330	330	OMIT	OMIT	330
R1		220	220	120	270	220
R2		330	330	OMIT	OMIT	330
R3		220	220	120	270	220
R4		330	330	OMIT	OMIT	330
W1		USE	USE	OMIT	OMIT	OMIT
W2	OMIT	OMIT	OMIT	USE	USE	USE
C1,						
CO11	USE	USE	USE	USE	USE	USE
THRU						
CI41						

CHECKED BY DATE 10/2/01 10:00 10/2/01 10:00	TITLE SCHEMATIC, 1/0 TERMINATION PD	PERIPHERAL EQUIPMENT IDENTIFICATION 102800 41
--	---	--

H  
G  
F  
E  
D  
C  
B  
A

8

7

6

5

4

3

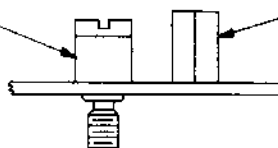
2

1

REVISIONS					
REV	DESCRIPTION	DATE	DR	CHK	APPR
A	ERN 4-6W PRE-PRODUCTION RELEASE	4/1/70	PAS	Jir	Jir
	ERN 4-YH PRODUCTION RELEASE	1/2/71	PLC	BR	Jir

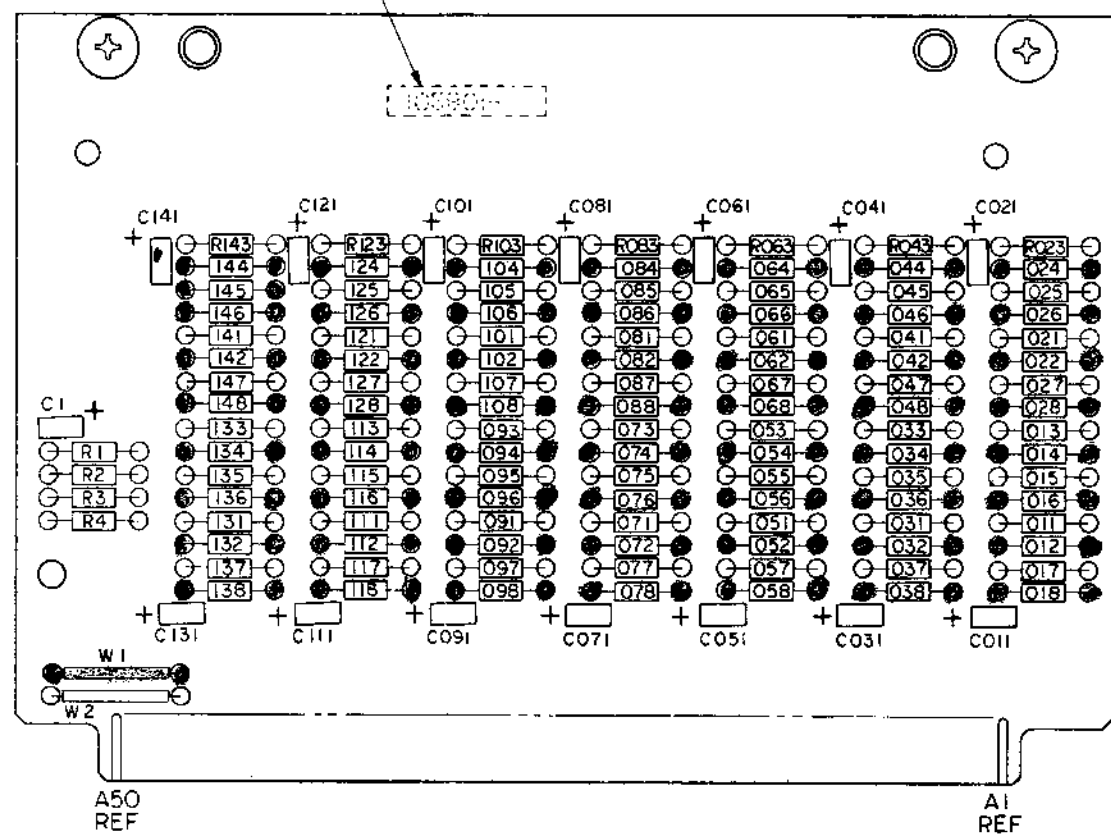
615-6822  
2 PLCS

102709-04  
601-0803 } 2 PLCS



*Cable End Terminator Card*  
#102801-07A

\* • = NO component  
\*\* ALL Resistors = 120 ohms  
\*\*\* W2 installed  
W1 NOT installed



102802-01 4

FOR ASSEMBLY VERSION INFORMATION SEE SCHEMATIC 102800.  
FOR LIST OF MATERIALS SEE LM 102801 AND APPLICABLE DASH NO.  
PART NO. 102801-07 REV A

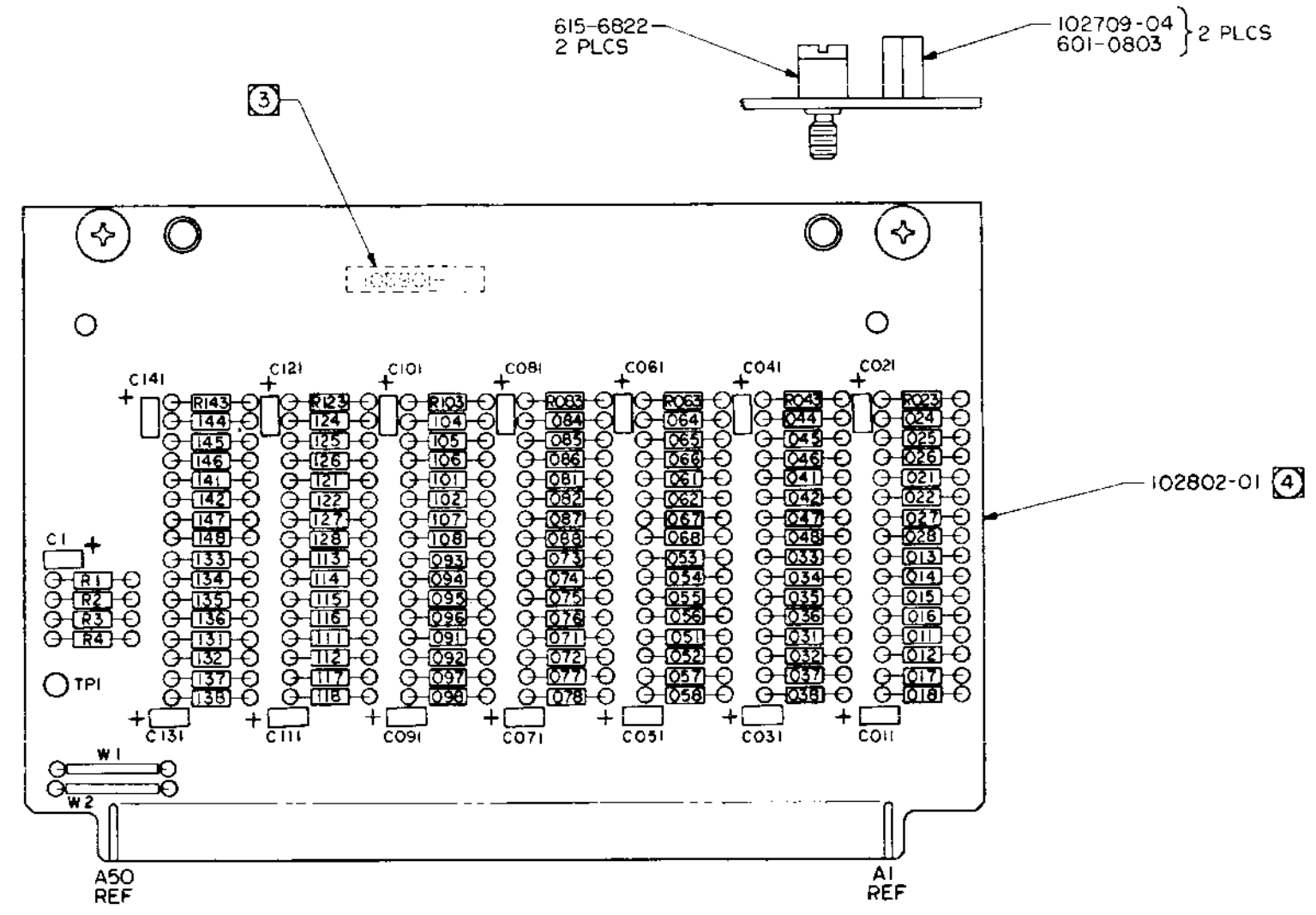
- 4 THIS ASSY SHALL BE MADE FROM PROCESS BOARD 102802 REV C AND SUBSEQUENT.
- 3 DUBBED STAMP ASSY PART NO. 102801 INCLUDING VERSION NO AND VERSION ISSUE LETTER FARSIDE ORIENTED AS SHOWN.
- 2. ASSEMBLE PER STANDARD MFG METHODS.
- 1. REFERENCE DRAWING SCHEMATIC 102800.

NOTES: UNLESS OTHERWISE SPECIFIED:

<small>The information herein is the property of PERTEC CORPORATION. No portion of this data shall be released, disclosed, used, or duplicated for procurement or manufacturing purposes without specific written consent of PERTEC.</small>	SIGNATURES		DATE	<b>PERTEC PERIPHERAL EQUIPMENT</b>
	DR	CHK	DATE	
<small>UNLESS OTHERWISE SPECIFIED:</small> DIMENSIONS ARE IN INCHES TOLERANCES: .XX = ± .XXX = ± X = ± X = ± PREPAR-NAL-SHARP-CORNERS UNLESS OTHERWISE SPECIFIED	ENGR FULTZ PROJ. ENGR 4/1/70	DATE 6-23-70 6-27-70	TITLE <b>PCBA I/O TERMINATION BOARD</b>	
FINISH:	MATL:	SIZE D CODE IDENT NO 102801 DWG NO 102801 REV A	SCALE DO NOT SCALE DWG	SHEET 1 OF 1

D3000
NEXT ASSY
APPLICATION

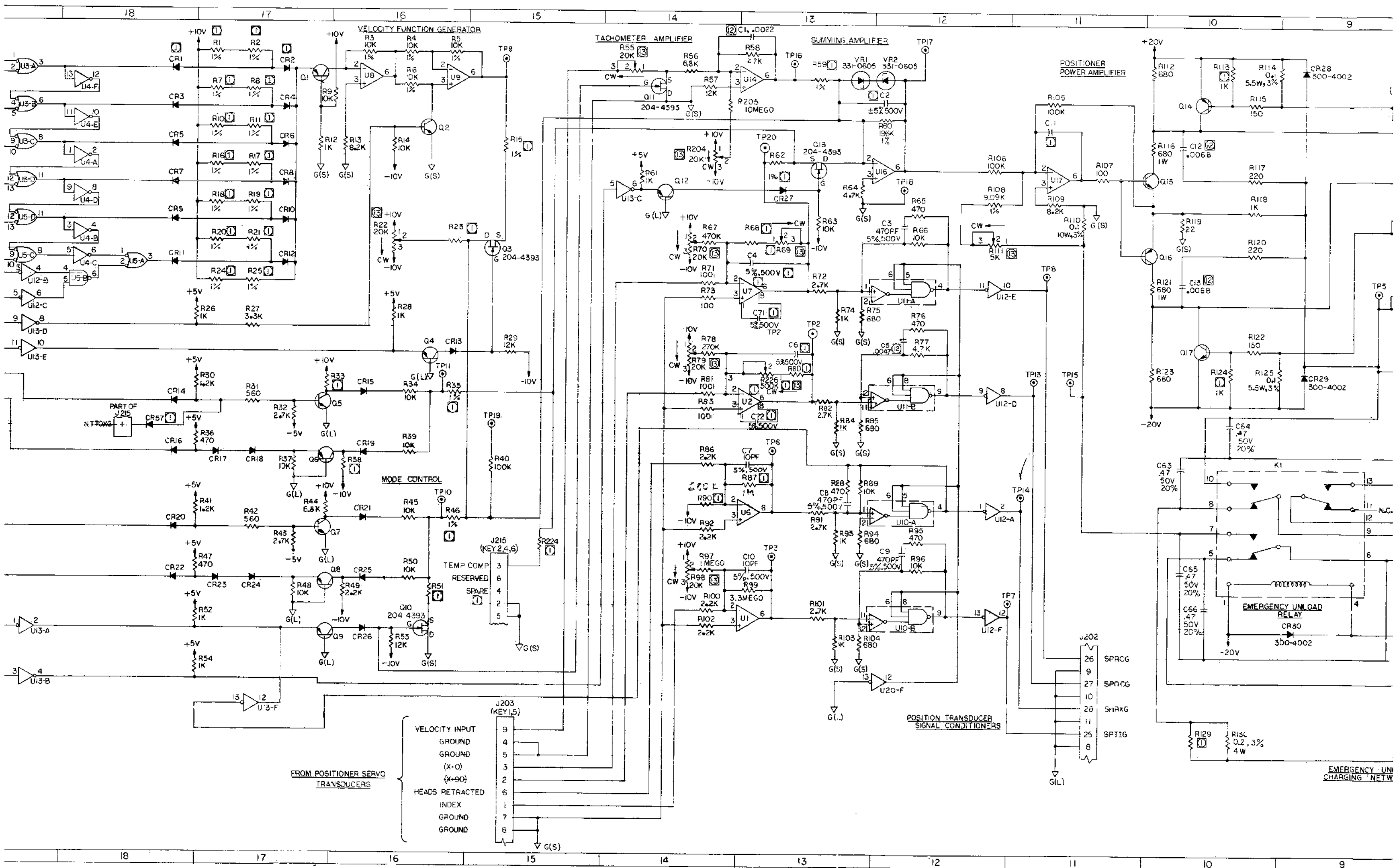
REVISIONS					
REV	DESCRIPTION	DATE	DR	CHK	APPR
A	ERN 46-W PRE-PRODUCTION RELEASE	10/12/72	RAS	JH	JH
	ERN 4-YH PRODUCTION RELEASE	11/12/72	WLS	ES	JH
B	ECN 7331	11/12/72	WLS	ES	JH



FOR ASSEMBLY VERSION INFORMATION SEE SCHEMATIC 102800.  
FOR LIST OF MATERIALS SEE LM 102801 AND APPLICABLE DASH. NO.  
PART NO. 102801-03 REV B

- (4) THIS ASSY SHALL BE MADE FROM PROCESS BOARD 102802 REV D AND SUBSEQUENT.
- (3) RUBBER STAMP ASSY PART NO. 102801 INCLUDING VERSION NO. AND VERSION ISSUE LETTER FARSIDE ORIENTED AS SHOWN.
- ASSEMBLE PER STANDARD MFG METHODS.
  - REFERENCE DRAWING SCHEMATIC 102800.
- NOTES: UNLESS OTHERWISE SPECIFIED:

SIGNATURES		DATE	PERTEC PERIPHERAL EQUIPMENT	
DR		10/12/72		
CHK		11/12/72	TITLE	
UNLESS OTHERWISE SPECIFIED: DIMENSIONS ARE IN INCHES TOLERANCES: XXX ± .005 XXX ± .010 XXX ± .015 XXX ± .020 XXX ± .030 XXX ± .040 XXX ± .050 XXX ± .060 XXX ± .070 XXX ± .080 XXX ± .090 XXX ± .100 XXX ± .150 XXX ± .200 XXX ± .250 XXX ± .300 XXX ± .350 XXX ± .400 XXX ± .450 XXX ± .500 XXX ± .550 XXX ± .600 XXX ± .650 XXX ± .700 XXX ± .750 XXX ± .800 XXX ± .850 XXX ± .900 XXX ± .950 XXX ± 1.000 XXX ± 1.100 XXX ± 1.200 XXX ± 1.300 XXX ± 1.400 XXX ± 1.500 XXX ± 1.600 XXX ± 1.700 XXX ± 1.800 XXX ± 1.900 XXX ± 2.000 XXX ± 2.100 XXX ± 2.200 XXX ± 2.300 XXX ± 2.400 XXX ± 2.500 XXX ± 2.600 XXX ± 2.700 XXX ± 2.800 XXX ± 2.900 XXX ± 3.000 XXX ± 3.100 XXX ± 3.200 XXX ± 3.300 XXX ± 3.400 XXX ± 3.500 XXX ± 3.600 XXX ± 3.700 XXX ± 3.800 XXX ± 3.900 XXX ± 4.000 XXX ± 4.100 XXX ± 4.200 XXX ± 4.300 XXX ± 4.400 XXX ± 4.500 XXX ± 4.600 XXX ± 4.700 XXX ± 4.800 XXX ± 4.900 XXX ± 5.000 XXX ± 5.100 XXX ± 5.200 XXX ± 5.300 XXX ± 5.400 XXX ± 5.500 XXX ± 5.600 XXX ± 5.700 XXX ± 5.800 XXX ± 5.900 XXX ± 6.000 XXX ± 6.100 XXX ± 6.200 XXX ± 6.300 XXX ± 6.400 XXX ± 6.500 XXX ± 6.600 XXX ± 6.700 XXX ± 6.800 XXX ± 6.900 XXX ± 7.000 XXX ± 7.100 XXX ± 7.200 XXX ± 7.300 XXX ± 7.400 XXX ± 7.500 XXX ± 7.600 XXX ± 7.700 XXX ± 7.800 XXX ± 7.900 XXX ± 8.000 XXX ± 8.100 XXX ± 8.200 XXX ± 8.300 XXX ± 8.400 XXX ± 8.500 XXX ± 8.600 XXX ± 8.700 XXX ± 8.800 XXX ± 8.900 XXX ± 9.000 XXX ± 9.100 XXX ± 9.200 XXX ± 9.300 XXX ± 9.400 XXX ± 9.500 XXX ± 9.600 XXX ± 9.700 XXX ± 9.800 XXX ± 9.900 XXX ± 10.000			ENGR FULT# 6-77-72	PROJ ENGR # 4-77-72
FINISH		MATL	SIZE	
D3000			D	
NEXT ASSY		1ST USED ON	CODE IDENT NO.	
APPLICATION			102801	
			DWG NO.	
			102801	
			REV	
			B	
			SCALE	
			DO NOT SCALE DWG	
			SHEET	
			OF	

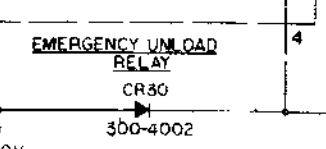


FROM POSITIONER SERVO TRANSDUCERS

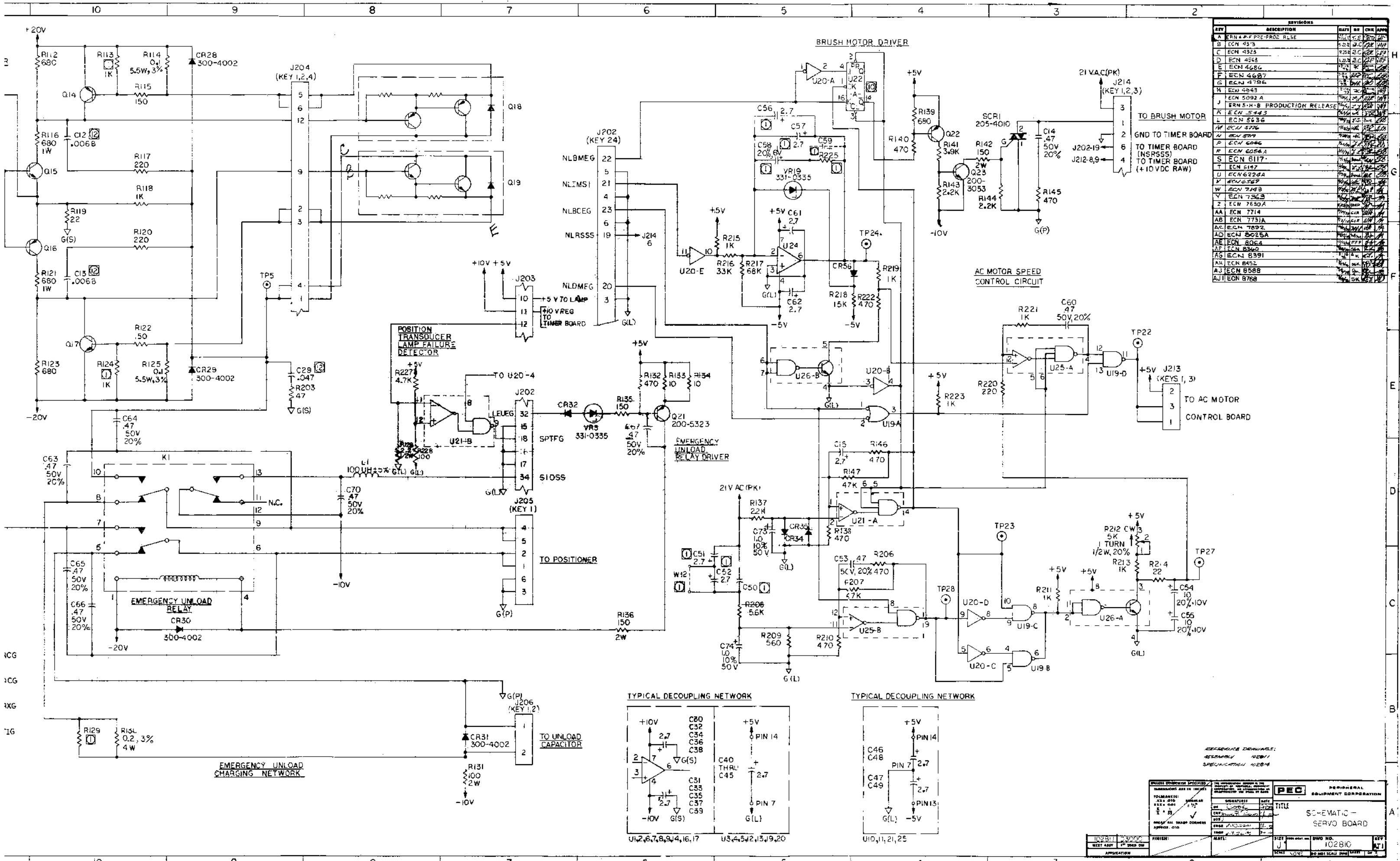
- 9 VELOCITY INPUT
- 4 GROUND
- 5 GROUND
- 3 (X-0)
- 2 (X+90)
- 6 HEADS RETRACTED
- 1 INDEX
- 7 GROUND
- 8 GROUND

J203 (KEY 1,5)

- 26 SPRCG
- 9
- 27 SPQCG
- 10
- 28 SHRXG
- 11
- 25 SPTIG
- 8



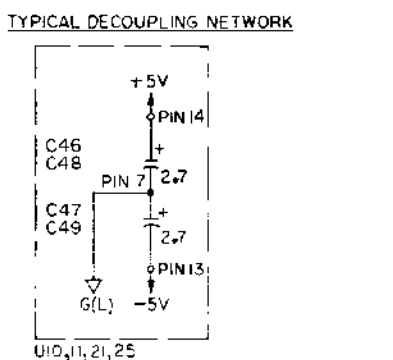
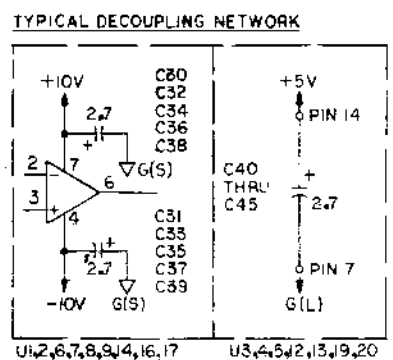
EMERGENCY UNLOAD CHARGING NET



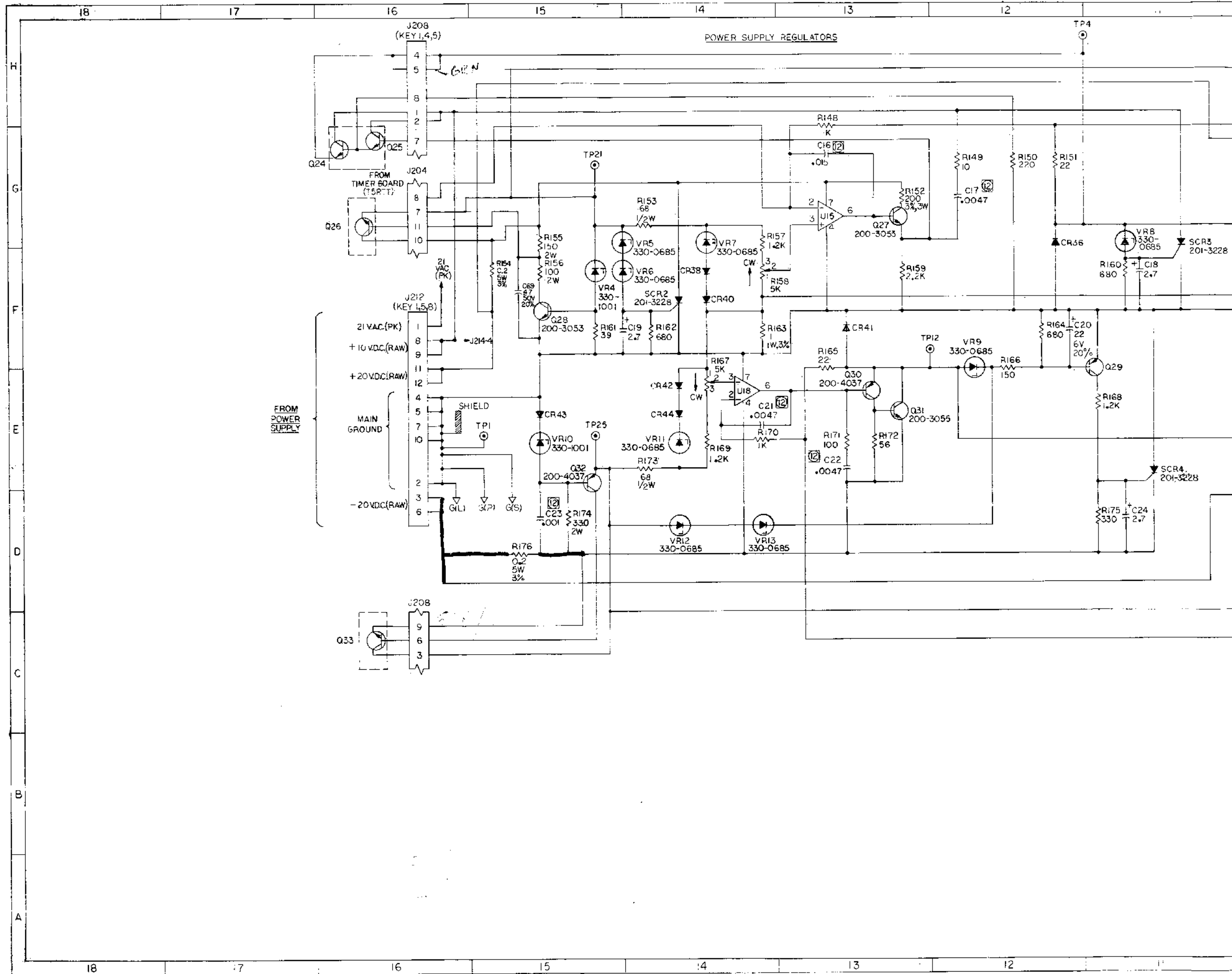
REVISIONS				
REV	DESCRIPTION	DATE	BY	CHK
A	ERN 4-P-PRO-PROD. RLSE	10/1/78	JTB	WJH
B	ECN 4313	5/24/78	JTB	WJH
C	ECN 4323	5/28/78	JTB	WJH
D	ECN 4358	1/21/78	JTB	WJH
E	ECN 4686	7/21/78	JTB	WJH
F	ECN 4687	7/21/78	JTB	WJH
G	ECN 4786	7/21/78	JTB	WJH
H	ECN 4943	7/21/78	JTB	WJH
J	ECN 5082 A	7/21/78	JTB	WJH
K	ERN 5-H-B PRODUCTION RELEASE	10/1/78	JTB	WJH
L	ECN 5443	10/1/78	JTB	WJH
M	ECN 5636	10/1/78	JTB	WJH
N	ECN 5776	10/1/78	JTB	WJH
O	ECN 5777	10/1/78	JTB	WJH
P	ECN 6086	10/1/78	JTB	WJH
Q	ECN 6084 A	10/1/78	JTB	WJH
R	ECN 6084 A	10/1/78	JTB	WJH
S	ECN 6117	10/1/78	JTB	WJH
T	ECN 6147	10/1/78	JTB	WJH
U	ECN 6228 A	10/1/78	JTB	WJH
V	ECN 6569	10/1/78	JTB	WJH
W	ECN 7193	10/1/78	JTB	WJH
X	ECN 7363	10/1/78	JTB	WJH
Y	ECN 7650 A	10/1/78	JTB	WJH
AA	ECN 7714	10/1/78	JTB	WJH
AB	ECN 7731 A	10/1/78	JTB	WJH
AC	ECN 7892	10/1/78	JTB	WJH
AD	ECN 8025 A	10/1/78	JTB	WJH
AE	ECN 8064	10/1/78	JTB	WJH
AF	ECN 8360	10/1/78	JTB	WJH
AG	ECN 8391	10/1/78	JTB	WJH
AH	ECN 8452	10/1/78	JTB	WJH
AJ	ECN 8588	10/1/78	JTB	WJH
AK	ECN 8768	10/1/78	JTB	WJH

REFERENCE DRAWINGS:  
ASSEMBLY NEW 11  
SPECIFICATION 102B10

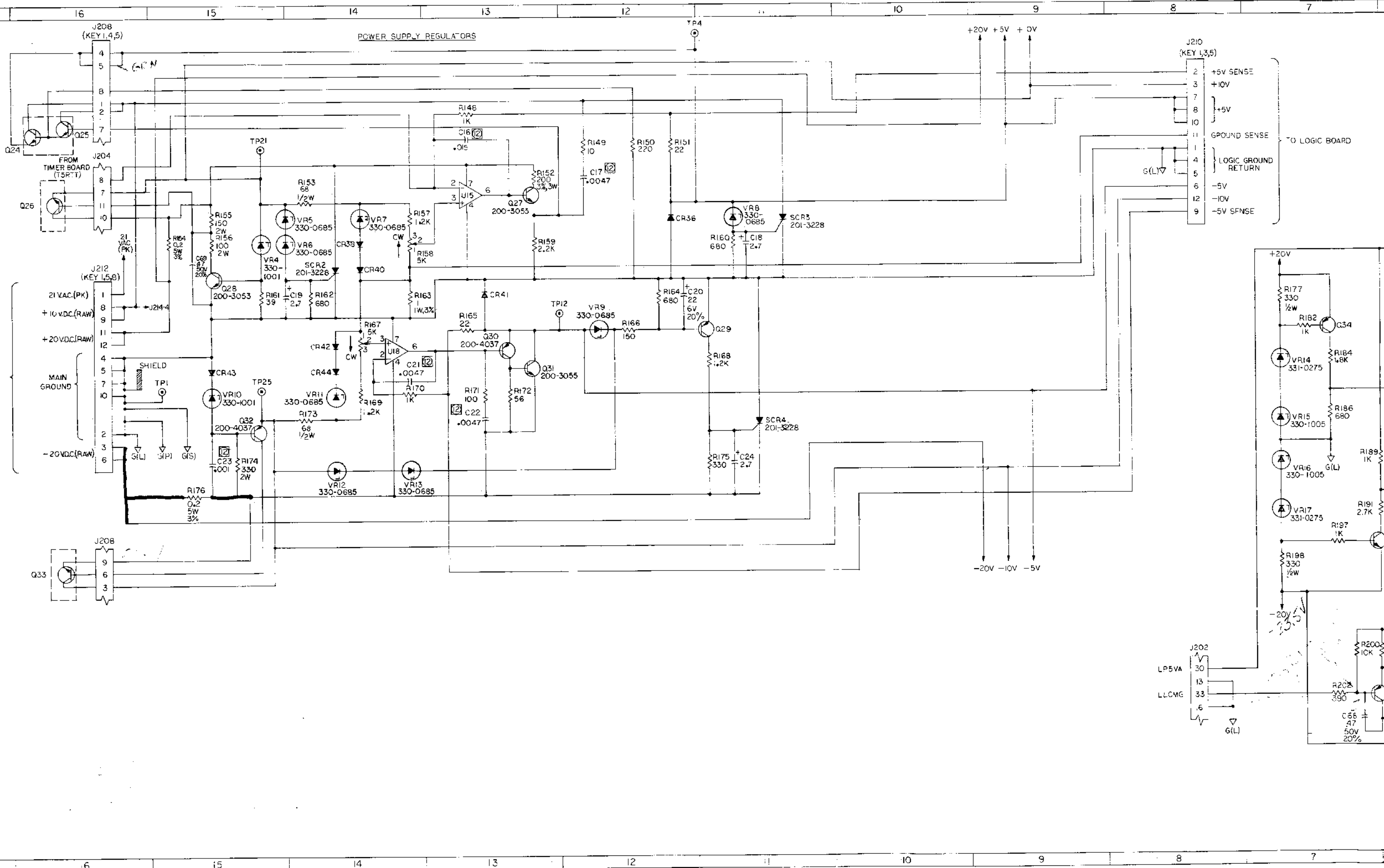
DESIGNED BY: JTB		CHECKED BY: WJH		DATE: 10/1/78	
DRAWN BY: JTB		ASSEMBLED BY: JTB		DATE: 10/1/78	
TITLE: SCHEMATIC - SERVO BOARD		PART NO: 102B10			
REV: J		REV: K		REV: L	



102B10	250Y00	FINISH:	DATE:	SIZE: 11x17	DWG NO: 102B10	REV: J
WJH:ASB	JTB:DW	APPLICATION:	DATE:	SCALE: AS SHOWN	NO. OF SHEETS: 1 OF 2	DATE: 10/1/78







+20V +5V +0V

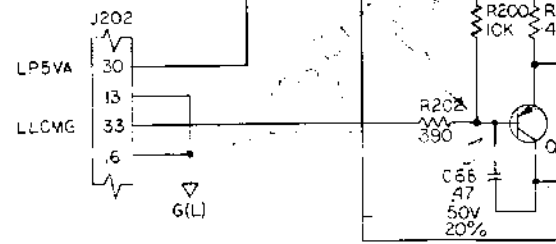
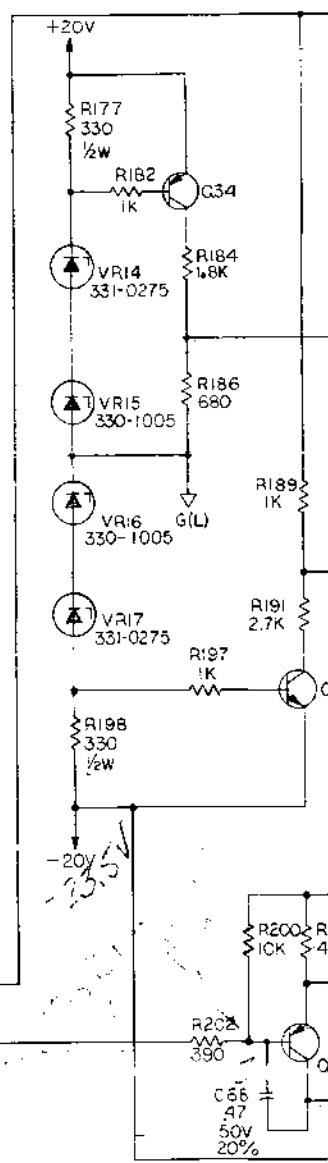
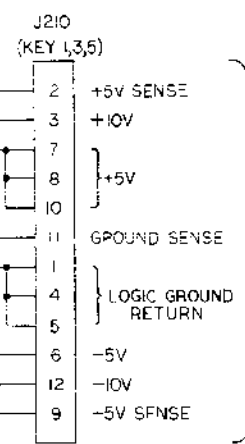


TABLE I

PART NO.	REF DESIGNATION
00-0005	R133,134,49
-015	R107,171,73,81,83,228
-025	R32,26,28,52,54,61,74,84,93,103,118,148,170,180,182,197,199,211,215,219,221,223,189,213
-035	R8,4,34,37,39,45,48,50,63,66,89,96,83,200
-1045	R40,105,106
-055	R97
-225	R30,41,168,194,157,169
-235	R29,53,57
-1515	R115,122,135,166
-825	R184,192
-2205	R119,151,155,214
-2215	R117,120,220,150
-2225	R49,86,92,00,02,37,143,144,159
-2255	R188
-3905	R161
-2725	R32,43,72,82,91,101,191
-5625	R208
-3315	R75,187,180,196
-3325	R27
-3335	R216
-3355	R99
-3315	R202
-3925	R141
-4705	R193,203
4715	R36,47,65,76,88,95,132,133,155,146,201,140,206,207,222
-4725	R64,178,227,77
-4735	R147,207,58
-4745	R67
-5605	R72
-565	R31,42,209
-6805	R181,85
-6815	R75,85,94,104,112,123,60,162,164,186,139
-8225	R13,109
-1065	R205
-2745	R78
-1535	R218
-6835	R217
100-6825	R56,44
101-0225	R128
101-6805	R153,173
101-3315	R177,198
102-6815	R116,121
103-015	R131,156
C3-515	R38,155,142
103-3315	R174

TABLE I

PART NO.	REF DESIGNATION
104-0002	R3,4,5,6
-1961	R179
-264	R60
-4221	R195
104-9091	R108
108-2013	R152
109-0002	R154,178
109-0003	R114,125
110-0011	R110
113-0103	R163
115-0002	R130
121-2030	R22,55,70,79,98,204
121-5020	R111,158,167
123-5020	R212
30-1005	C7,10
30-4715	C3,8,9
131-1020	C23
-2220	C1
-4720	C17,21,22,5
-4730	C29
3-6820	C12,13
131-1530	C16
32-2262	C20,25,27
32-2752	C15,8,9,24,28,30 THRU 49,61,62
32-1062	C54,55
135-4742	C14,26,53,60,63 THRU 70
139-1051	C73,74
200-3053	C23,27,28
-3055	C31
-4037	C30,32
-4123	C5,7,15,17,37 THRU 41
-4125	C12,4,6,8,9,12,14,16,22,29,34,35,36,43
200-5323	C21,42
201-3228	SCR2,3,4

TABLE I

PART NO.	REF DESIGNATION
204-4393	Q3,10,11,13
205-4010	SCR1
300-4002	CR28-31,50
300-4446	CR3 THRU 27,32,34,35,36,38,40 THRU 44,46 THRU 49,56
330-0685	VR5 THRU 9,11 THRU 13
330-1005	VR15,16
330-1001	VR4,10
33-0275	VR18,14,17
331-0335	VR3,19
331-0605	VR1,2
400-2741	U1,6,8,9,14 THRU 18,24
502-1243	K1
515-1015	L1
700-5107	U10,11,21,25
-7400	U3,5
-7404	U4,12,20
-7405	U13
-7438	U19
-7476	U22
700-7545	U26

TABLE II

ASSEMBLY DASH NO.	VERSION CHARACTERISTIC			CR	CR1	CR2	R	R2	R7	R8	R10	R11	R15	R17		
	100 TPI	200 TPI	+5V TIMER													
-01	X			VALUE	OMIT	OMIT	OMIT	OMIT	OMIT	51.1K	2.5K	56.2K	3.63K	62.5K	2.61K	
-02		X		VALUE	220PF	OMIT	USE	USE	51.1K	3.16K	61.9K	237	82.5K	4.64K	121K	3.16K
-31	X		X	VALUE	OMIT	OMIT	OMIT	OMIT	OMIT	51.1K	2.5K	56.2K	3.63K	62.5K	2.61K	
-32		X	X	VALUE	220 PF	OMIT	USE	USE	51.1K	3.16K	61.9K	237	82.5K	4.64K	121K	3.16K
-04		X		VALUE	220PF	OMIT	USE	USE	51.1K	3.16K	61.9K	237	82.5K	4.64K	121K	3.16K
-34		X	X	VALUE	220PF	OMIT	USE	USE	51.1K	3.16K	61.9K	237	82.5K	4.64K	121K	3.16K

ASSEMBLY DASH NO.	VERSION CHARACTERISTIC			R69	R224	C71,72	U2,7	J215	R87	R90	R33	43E	R226	R225	R1	
	100 TPI	200 TPI	+5V TIMER													
-01	X			VALUE	500K	OMIT	OMIT	741 OP-AMP	OMIT	2.2MEG	2.2MEG	2.7K	2.2K	500K	3.3K	6
-02		X		VALUE	500K	220K	OMIT	318 OP-AMP	USE	1.0MEG	680K	12K	12K	500K	3.3K	6
-31	X		X	VALUE	500K	OMIT	OMIT	741 OP-AMP	OMIT	2.2MEG	2.2MEG	2.7K	2.2K	500K	3.3K	6
-32		X	X	VALUE	500K	220K	OMIT	318 OP-AMP	USE	1.0MEG	680K	12K	12K	500K	3.3K	6
-04		X		VALUE	500K	220K	OMIT	318 OP-AMP	USE	1.0MEG	680K	12K	12K	500K	3.3K	6
-34		X	X	VALUE	500K	220K	OMIT	318 OP-AMP	USE	1.0MEG	680K	12K	12K	500K	3.3K	6

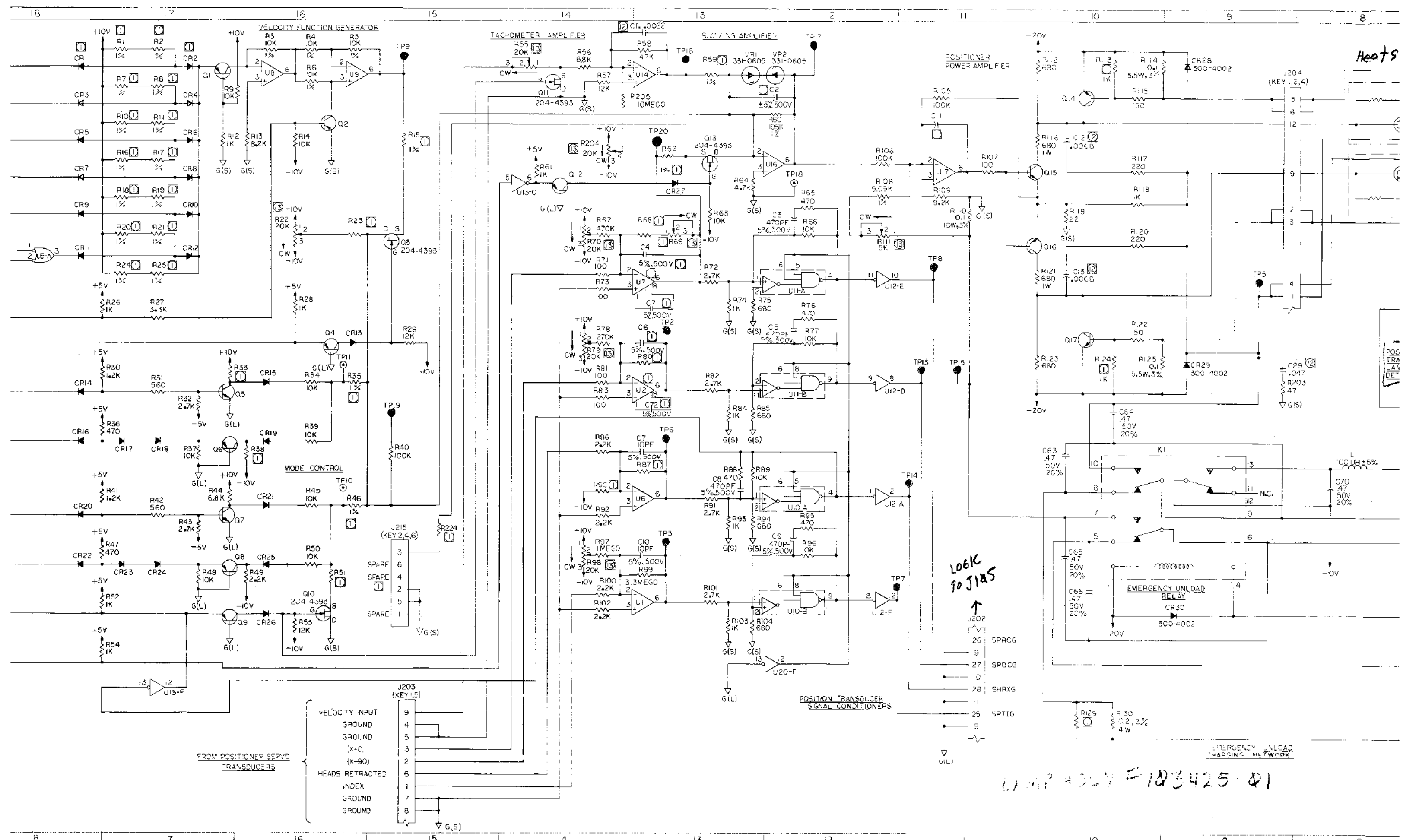
REVISIONS				
REV	DESCRIPTION	DATE	DR	CHK
1	SEE SMT			

TABLE II

CR1	CR2	R	R2	R7	R8	R10	R11	R16	R7	R18	R9	R20	R21	R24	R25	R13	R14	C50	C51	C52	C56	C57	C58	C59	W12	C4	C6	R23	R35	R46	R51	R62	R68, 490	R129
OMIT	OMIT	OMIT	OMIT	5.1K	2.5K	56.2K	3.83K	825K	2.61K	82.5K	2.61K	133K	9.09K	196K	51.1K	1K	1K	OMIT	2.7	2.7	2.7	2.7	22	OMIT	OMIT	47 PF	47 PF	820K	422K	61.9K	220	287K	56K	OMIT
USE	USE	51.1K	3.16K	61.9K	237	82.5K	4.64K	121K	3.16K	162K	12.1K	196K	26.1K	422K	75K	1K	1K	OMIT	2.7	2.7	2.7	2.7	22	OMIT	OMIT	5PF	5PF	820K	1.5M	100K	330	562K	100K	OMIT
300-4446	300-4446	104-5112	104-3161	104-6192	104-2370	104-8252	104-4641	104-1213	104-3161	104-1623	104-1212	104-1963	104-2612	104-4223	104-7502	100-1025	100-1025	OMIT	132-2752	132-2752	132-2752	132-2752	132-2262	OMIT	OMIT	47 PF	47 PF	820K	422K	61.9K	220	287K	56K	OMIT
OMIT	OMIT	OMIT	OMIT	51.1K	2.15K	56.2K	3.83K	82.5K	2.81K	82.5K	2.61K	133K	9.09K	196K	51.1K	1K	1K	OMIT	2.7	2.7	2.7	2.7	22	OMIT	OMIT	47 PF	47 PF	820K	422K	61.9K	220	287K	56K	OMIT
USE	USE	51.1K	3.16K	61.9K	237	82.5K	4.64K	121K	3.16K	162K	12.1K	196K	26.1K	422K	75K	1K	1K	OMIT	2.7	2.7	2.7	2.7	22	OMIT	OMIT	5PF	5PF	820K	1.5M	100K	330	562K	100K	OMIT
300-4446	300-4446	104-5112	104-3161	104-6192	104-2370	104-8252	104-4641	104-1213	104-3161	104-1623	104-1212	104-1963	104-2612	104-4223	104-7502	100-1025	100-1025	OMIT	132-2752	132-2752	132-2752	132-2752	132-2262	OMIT	OMIT	5PF	5PF	820K	1.5M	100K	330	562K	100K	OMIT
OMIT	OMIT	OMIT	OMIT	51.1K	2.15K	56.2K	3.83K	82.5K	2.81K	82.5K	2.61K	133K	9.09K	196K	51.1K	1K	1K	OMIT	2.7	2.7	2.7	2.7	22	OMIT	OMIT	47 PF	47 PF	820K	422K	61.9K	220	287K	56K	OMIT
USE	USE	51.1K	3.16K	61.9K	237	82.5K	4.64K	121K	3.16K	162K	12.1K	196K	26.1K	422K	75K	1K	1K	OMIT	2.7	2.7	2.7	2.7	22	OMIT	OMIT	5PF	5PF	820K	1.5M	100K	330	562K	100K	OMIT
300-4446	300-4446	104-5112	104-3161	104-6192	104-2370	104-8252	104-4641	104-1213	104-3161	104-1623	104-1212	104-1963	104-2612	104-4223	104-7502	100-1025	100-1025	OMIT	132-2752	132-2752	132-2752	132-2752	132-2262	OMIT	OMIT	5PF	5PF	820K	1.5M	100K	330	562K	100K	OMIT
OMIT	OMIT	OMIT	OMIT	51.1K	2.15K	56.2K	3.83K	82.5K	2.81K	82.5K	2.61K	133K	9.09K	196K	51.1K	1K	1K	OMIT	2.7	2.7	2.7	2.7	22	OMIT	OMIT	47 PF	47 PF	820K	422K	61.9K	220	287K	56K	OMIT
USE	USE	51.1K	3.16K	61.9K	237	82.5K	4.64K	121K	3.16K	162K	12.1K	196K	26.1K	422K	75K	1K	1K	OMIT	2.7	2.7	2.7	2.7	22	OMIT	OMIT	5PF	5PF	820K	1.5M	100K	330	562K	100K	OMIT
300-4446	300-4446	104-5112	104-3161	104-6192	104-2370	104-8252	104-4641	104-1213	104-3161	104-1623	104-1212	104-1963	104-2612	104-4223	104-7502	100-1025	100-1025	OMIT	132-2752	132-2752	132-2752	132-2752	132-2262	OMIT	OMIT	5PF	5PF	820K	1.5M	100K	330	562K	100K	OMIT
OMIT	OMIT	OMIT	OMIT	51.1K	2.15K	56.2K	3.83K	82.5K	2.81K	82.5K	2.61K	133K	9.09K	196K	51.1K	1K	1K	OMIT	2.7	2.7	2.7	2.7	22	OMIT	OMIT	47 PF	47 PF	820K	422K	61.9K	220	287K	56K	OMIT
USE	USE	51.1K	3.16K	61.9K	237	82.5K	4.64K	121K	3.16K	162K	12.1K	196K	26.1K	422K	75K	1K	1K	OMIT	2.7	2.7	2.7	2.7	22	OMIT	OMIT	5PF	5PF	820K	1.5M	100K	330	562K	100K	OMIT
300-4446	300-4446	104-5112	104-3161	104-6192	104-2370	104-8252	104-4641	104-1213	104-3161	104-1623	104-1212	104-1963	104-2612	104-4223	104-7502	100-1025	100-1025	OMIT	132-2752	132-2752	132-2752	132-2752	132-2262	OMIT	OMIT	5PF	5PF	820K	1.5M	100K	330	562K	100K	OMIT

C71,72	U2,7	J215	R67	R90	433	R39	R226	R225	R15,59	CR57
OMIT	741 OP-AMP	OMIT	2.2MEGO	2.2MEGO	2.7K	2.2K	500K	3.3K	6.81K	OMIT
	400-2741		100-2255	100-2255	100-2725	100-2225	121-5040	100-3325	104-6811	
OMIT	318 OP-AMP	USE	1.0MEGO	680K	12K	12K	500K	3.3K	6.19K	OMIT
	400-0318		100-1055	100-6845	100-1235	100-1235	121-5040	100-3325	104-6191	
OMIT	741 OP-AMP	OMIT	2.2MEGO	2.2MEGO	2.7K	2.2K	500K	3.3K	6.81K	OMIT
	400-2741		100-2255	100-2255	100-2725	100-2225	121-5040	100-3325	104-6811	
OMIT	318 OP-AMP	USE	1.0MEGO	680K	12K	12K	500K	3.3K	6.19K	OMIT
	400-0318		100-1055	100-6845	100-1235	100-1235	121-5040	100-3325	104-6191	
OMIT	318 OP-AMP	USE	1.0MEGO	680K	12K	12K	500K	3.3K	6.19K	USE
	400-0318		100-1055	100-6845	100-1235	100-1235	121-5040	100-3325	104-6191	300-4446
OMIT	318 OP-AMP	USE	1.0MEGO	680K	12K	12K	500K	3.3K	6.19K	USE
	400-0318		100-1055	100-6845	100-1235	100-1235	121-5040	100-3325	104-6191	300-4446

<small>The information herein is the property of PERTEC CORPORATION. The recipient of this document is authorized to use it only for the specific project, work, or program for which it was prepared. It is not to be distributed outside the project, work, or program.</small>		SIGNATURE: _____ DATE: 5/8/74 DR: [Signature]		PERTEC PERFORMERIAL EQUIPMENT	
<small>UNLESS OTHERWISE SPECIFIED, DIMENSIONS ARE IN INCHES.</small>		TITLE: _____ DR: [Signature] PER: [Signature] REV: [Signature]		TITLE: SCHEMATIC - SERVO BOARD	
102811 D3000 NEXT REV: _____ APPLICATION: _____		FINISH: _____ MATERIAL: _____		SCALE: NONE DRAWING NO: 102810 SHEET: 3 OF 3	



Heats

POS TRAN LAM DET

LOGIC TO J1A5

LIMIT 4027 = 103425-01

EMERGENCY UNLOAD RELAY CR30 500-4002

VELOCITY INPUT  
 GROUND  
 GROUND  
 (X-0)  
 (X-90)  
 HEADS RETRACTED  
 INDEX  
 GROUND  
 GROUND

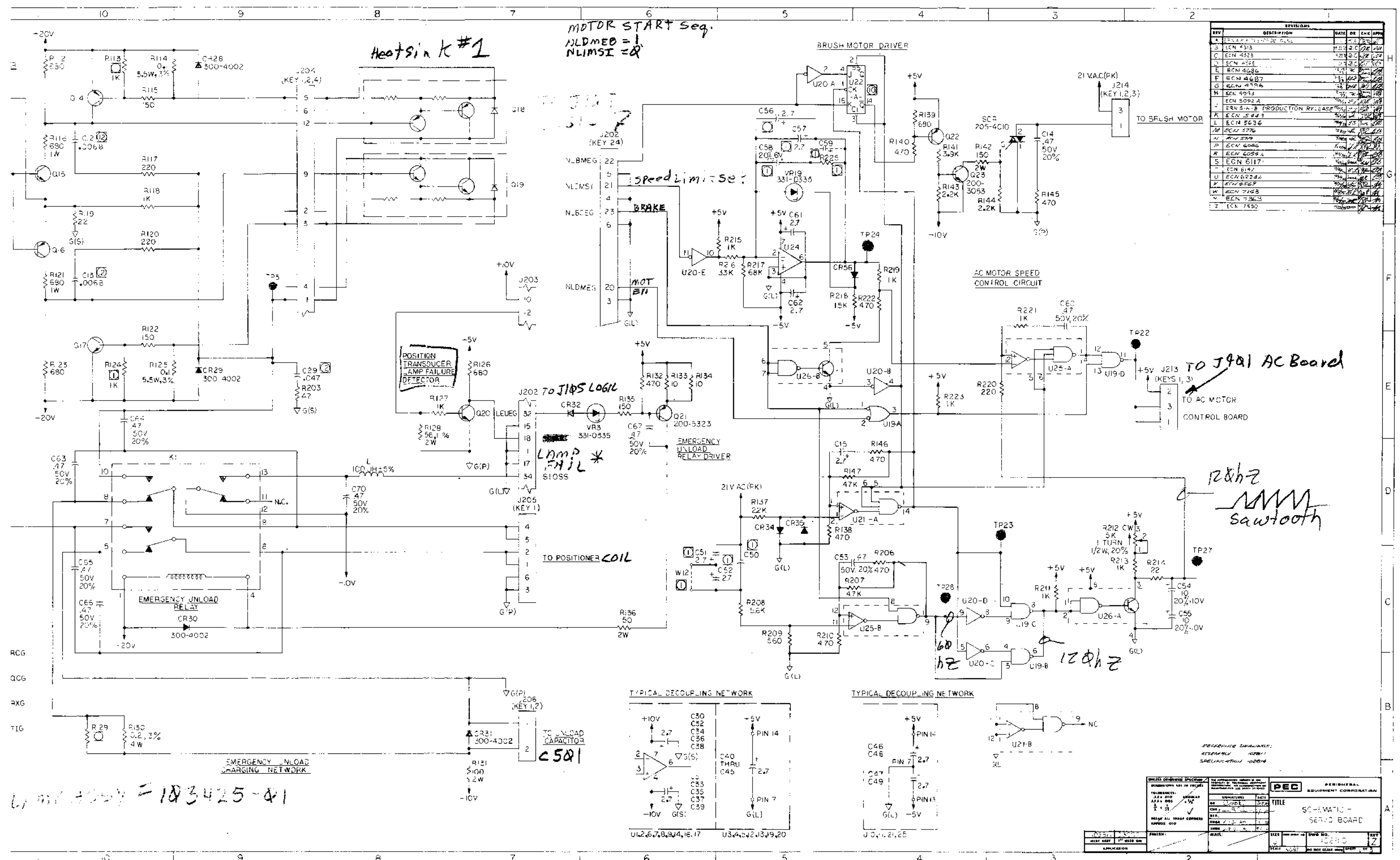
FROM POSITIONER SERVO TRANSDUCERS

J202  
 26 SPRCG  
 9  
 27 SPQCG  
 0  
 28 SHRXC  
 1  
 25 SPTIG  
 8

J203 (KEY 1,5)

J215 (KEY 2,4,6)

J204 (KEY 1,2,4)



103425-41

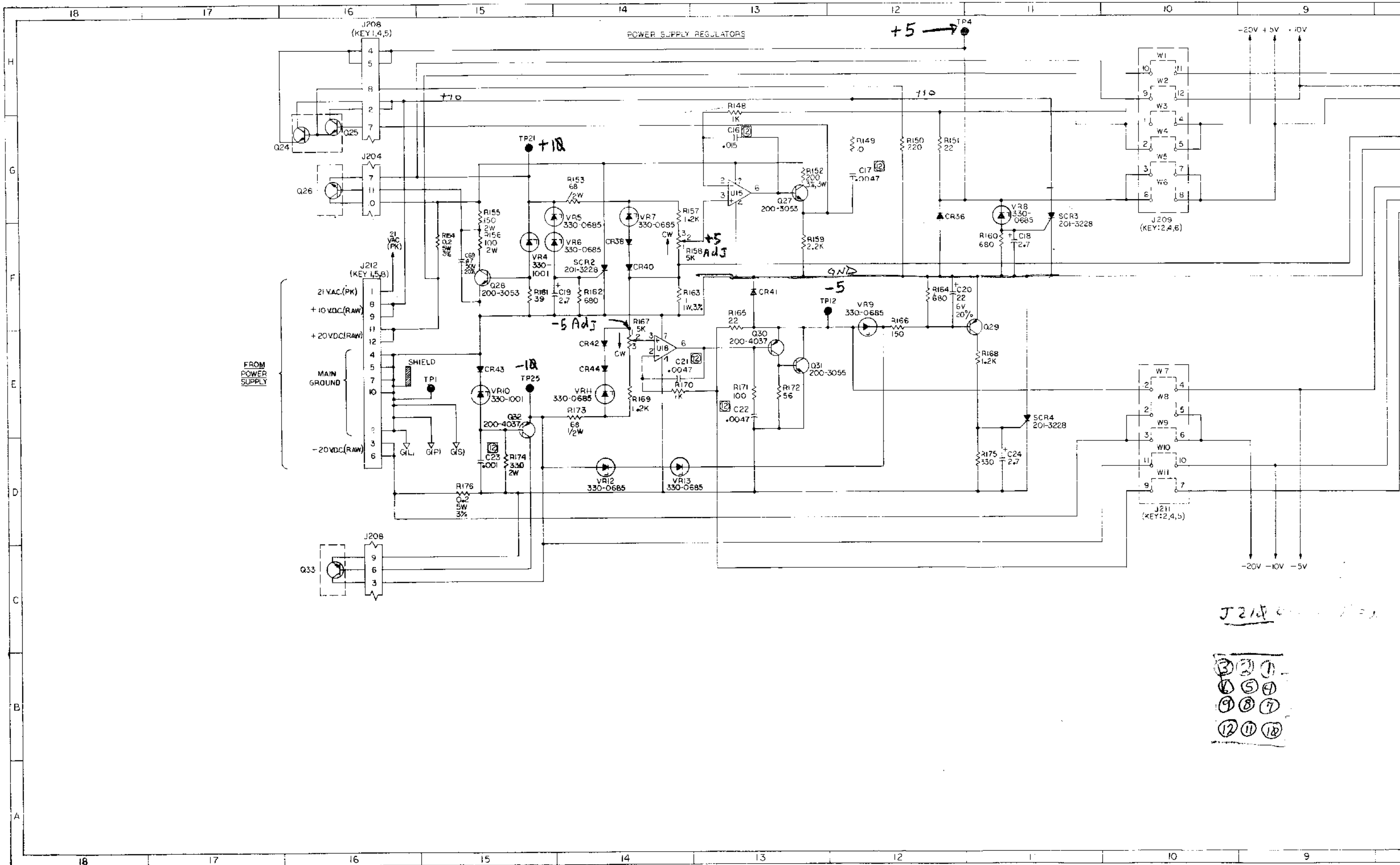
REFERENCE DRAWINGS:  
 ASSEMBLY 100011  
 SPECIFICATION 100014

DATE	BY	CHK	APP

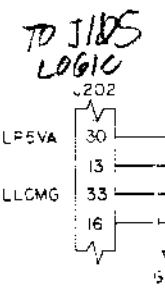
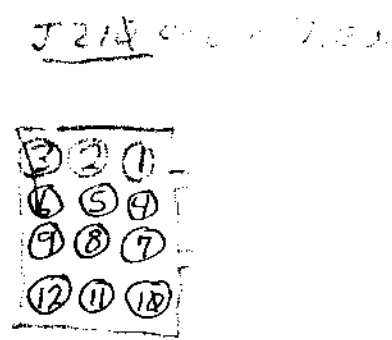
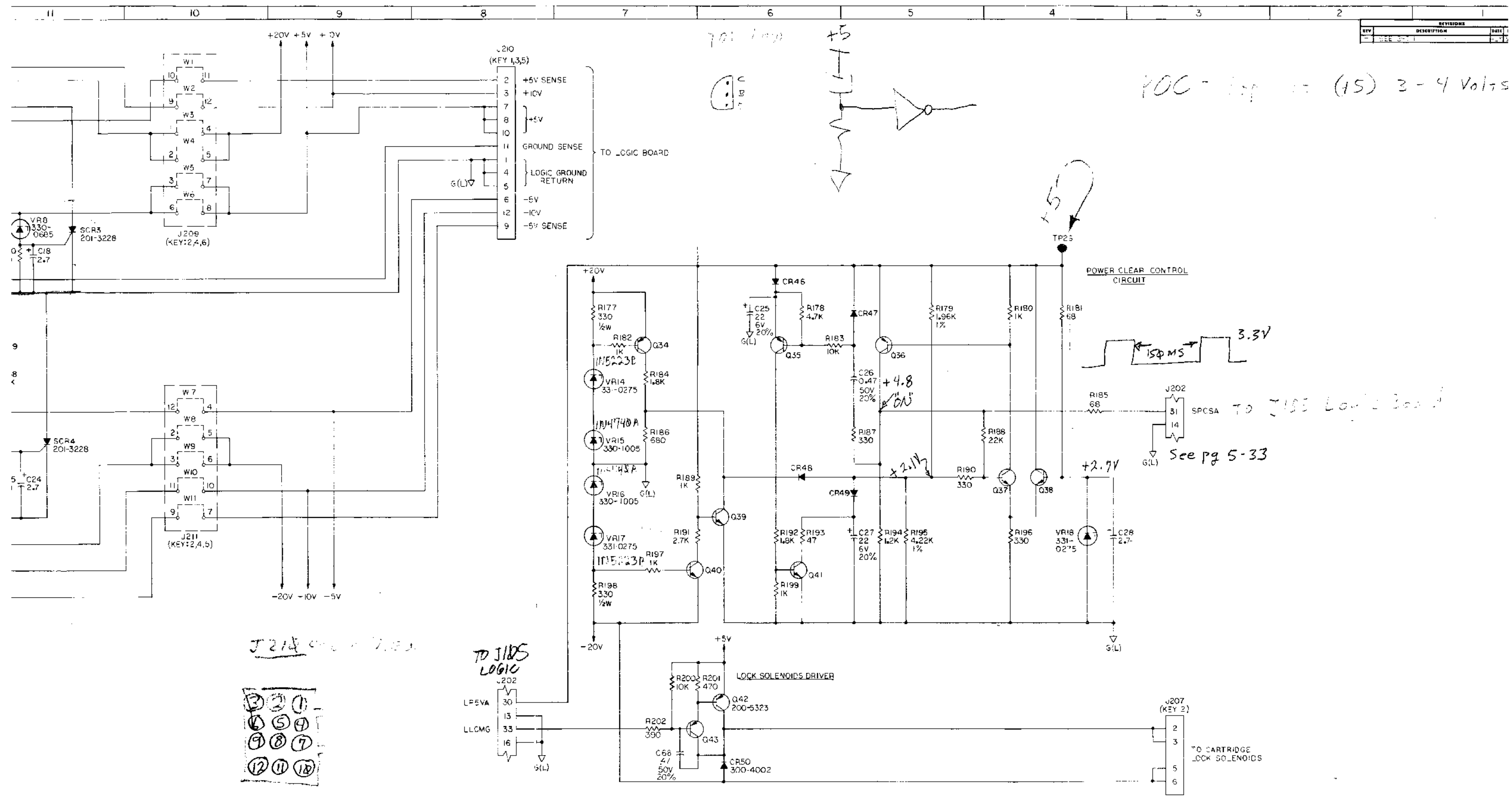
PERIPHERAL EQUIPMENT CORPORATION

TITLE: SCHEMATIC - SERVO BOARD

SIZE: 10x10 DWS NO. 100011 REV. Z



REVISIONS		
REV	DESCRIPTION	DATE
1	ISSUE 001	11-1-78



UNLESS OTHERWISE SPECIFIED: DIMENSIONS ARE IN INCHES		TOLERANCES: FRACTIONS DECIMALS ANGLES ±.005 ±.005 ±.005		APPROX ALL SHARP CORNERS R0.010		FINISH: BEST AVAILABLE		MATERIAL: SEE DRAWING		<b>PEC</b> TITLE: SCHEMATIC - SERVO MOTOR DWG NO: 10201C DATE: 11-1-78	
---	--	---	--	------------------------------------	--	---------------------------	--	--------------------------	--	---	--

H  
G  
F  
E  
D  
C  
B  
A

TABLE I

PART NO.	REF DESIGNATION
00-1005	R133,134,149
-1015	R107,171,71,73,81,83
-025	R12,26,28,52,54,61,74,84, 93,103,118,127,148,170,180, 182,197,199,211,215,219, 221,223, 189,213
035	R9,14,34,37,39,45,48,50, 63,66,77,89,96,83,200
-045	R40, 105,106
-055	R97
1225	R30,41,168,194,157,169
-235	R29,53,57
-1515	R115,22,35, 66
-1825	R184, 192
-2205	R119,151,65,214
-2215	R117,120, 220,150
-2225	R,49,86, 92,100,102,137,143, 144,159
-2235	R188
-3905	R161
-2725	R32,43,72,82,91,101, 191
-5625	R208
-3315	R175, 187,190,196
-3325	R27
-3335	R216
-3355	R99
-3915	R202
-3925	R141
-4705	R193,203
-4715	R36,47,65,76,88,95,132, 138,145,146,201,140,206, 210,222
-4725	R64,178
-4735	R147,207,58
-4745	R67
-5605	R172
-5615	R31,42,209
-6805	R181,185
-6815	R75,85,94,104,112,123,126, 160,162,164,186, 139
-8225	R13,109
-1065	R205
-2745	R78
-1535	R218
-6835	R217
100-6825	R56,44
101-6805	R153,173
101-3315	R172,198
102-6815	R116,121
103-105	R131,156
103-1515	R138,155,142
103-3315	R174

TABLE I

PART NO.	REF DESIGNATION
104-1002	R3,4,5,6
-1961	R179
365	R60
-4221	R195
104-9091	R108
108-2013	R152
109-0002	R154,176
109-0003	R114,125
110-0011	R110
113-0103	R163
114-0561	R128
115-0002	R130
121-2030	R22,55,70,79,98,204
121-5020	R111,158,167
123-5020	R212
130-1005	C7,10
130-4715	C3,5,8,9
131-1020	C23
-2220	C1
-4720	C17,21,22
-4730	C29
131-6820	C12,13
131-1530	C16
132-2262	C20,25,27
132-2752	C15,18,19,24,28,30 THRU 49,61,62
132-1062	C54,55
135-4742	C14,26,53,60,63 THRU 70
200-3053	Q23,27,28
-3055	Q31
-4037	Q30,32
-4123	Q5,7,15,17,20,37 THRU 41
-4125	Q1,24,6,8,9,12,14,16,22, 29,34,35,36,43
200-5323	Q21,42
201-3228	SCR2,3,4

TABLE I

PART NO.	REF DESIGNATION
204-4393	Q3, C,11,13
205-4010	SCR1
300-4002	CR28-31,50
300-4446	CR3 THRU 27,32,34,35, 36,38,40 THRU 44,46 THRU 49, 56
330-0685	VR5 THRU 9, 1 THRU 13
330-1005	VR15,16
330-1001	VR4,10
331-0275	VR18,14,17
331-0335	VR3,19
331-0605	VR1,2
400-2741	U1, 6, 8,9,14 THRU 18,24
502-243	K1
515-1015	L1
700-5107	U10,11,21,25
-7400	U3,5
-7404	U4,12,20
-7405	U13
-7438	U19
-7475	U22
700-7545	U26

ASSEMBLY DASH NO.	VERSION CHARACTERISTIC	R225	Q2	C11	CR1	CR2
-01	100TP	VALUE 3.3K	OMIT	OMIT	OMIT	OMIT
		PART NO. 100-3325				
-02	200TP1	VALUE 3.3K	220PF	OMIT	USE	USE
		PART NO. 100-3325	130-2215		300-4446	300-4446

ASSEMBLY DASH NO.	VERSION CHARACTERISTIC	R15,59	R69	R224	C71,72	U2,7
-01	100TP1	VALUE 6.81K	500K	OMIT	OMIT	741 OP-A
		PART NO. 100-6811	121-5040			400-27
-02	200TP1	VALUE 6.19K	500K	220K	OMIT	741 OP-A
		PART NO. 104-691	12-5040	100-2245		400-27



TABLE I

REF DESIGNATION
R133,134,149
R107,171,71,73,81,83
R12,26,28,52,54,61,74,84,93,103,118,127,148,170,180,182,197,199,211,215,219,221,223,189,213
R9,14,34,37,39,45,48,50,63,66,77,89,96,83,200
R40, 105,106
R97
R30,41,168,94,157,169
R29,53,57
R115,122,135, 166
R184, 192
R119,151,165,214
R117,120, 220, 50
R 49, 86,
92,100,102,137, 143, 144,159
R188
R161
R32,43,72,82,91,101, 191
R208
R175, 187,190,196
R27
R216
R99
R202
R141
R193,203
R36,47,65,76,88,95,132,138,145,146,201,140,206,208,222
R64,178
R147,207,58
R67
R172
R31,42,209
R181,185
R75,95,94,104,121,123,126,160,162,164,186, 139
R13,109
R205
R78
R218
R217
R56,44
R153,173
R177,198
R116,121
R131,156
R136,155,142
R174

TABLE I

PART NO.	REF DESIGNATION
104-1002	R3,4,5,6
-1961	R179
-1963	R60
-4221	R195
04-9091	R108
108-2013	R152
09-0002	R154,176
109-0003	R114,125
110-0011	R110
113-0103	R163
114-0561	R128
115-0002	R130
121-2030	R22,55,70,79,98,204
121-5020	R111,158,167
123-5020	R212
130-1005	C7,10
130-4715	C3,5,8,9
131-1020	C23
-2220	C1
-4720	C17,21,22
-4730	C29
131-6820	C12,13
131-1530	C16
132-2262	C20,25,27
132-2752	C15,18,19,24,28,30 THRU 49,61,62
132-1062	C54,55
135-4742	C14,26, 53, 60, 63 THRU 70
200-3053	Q23,27,28
-3055	Q31
-4037	Q30,32
-4123	Q5,7,15,17,20,37 THRU 41
-4125	Q1,2,4,6,8,9,12,14,16,22,29,34,35,36,43
200-5323	Q21,42
201-3228	SCR2,3,4

TABLE I

PART NO.	REF DESIGNATION
204-4393	Q3,10,11,13
205-4010	SCR1
300-4002	CR2B-31,50
300-4446	CR3 THRU 27,32,34,35,36,38,40 THRU 44,46 THRU 49, 56
330-0685	VR5 THRU 9, 1 THRU 3
330-0005	VR15,16
330-1001	VR4,10
331-0275	VR18,14,17
331-0335	VR3,19
331-0605	VR1,2
400-2741	U1, 6, 8,9,14 THRU 18,24
502-1243	K1
515-1015	L1
700-5107	U10,11,21,25
-7400	U3,5
-7404	U4,12,20
-7405	U12
-7438	U19
-7476	U22
700-7545	U26

TABLE II

ASSEMBLY IOPBII DASH NO.	VERSION CHARACTERISTIC	R225	C2	C11	CR1	CR2	R1	R2	R7	R8	R10	R11	R16	R7	R18	R19	R20	R21
-01	100TPI	VALUE 3.3K	OMIT	OMIT	OMIT	OMIT	OMIT	OMIT	511K	2.5K	56.2K	5.83K	825K	2.61K	87.5K	2.61K	133K	9.09K
		PART NO. 100-3325							104-5112	104-2151	104-5622	104-3831	104-8252	104-2611	104-8252	104-2611	104-1333	104-909
-02	200TPI	VALUE 3.3K	220PF	OMIT	USE	USE	511K	3.16K	61.9K	237	82.5K	4.84K	121K	3.16K	162K	12.1K	196K	26.1K
		PART NO. 100-3325	130-2215		300-4446	300-4446	104-5112	104-3161	104-6192	104-2370	104-8252	104-4641	104-1213	104-361	104-1623	104-1212	104-1963	104-26

ASSEMBLY I028II DASH NO.	VERSION CHARACTERISTIC	R15,59	R69	R224	C71,72	U2,7	J215	R67	R90	R33	R38
-01	100TPI	VALUE 6.81K	500K	OMIT	OMIT	741 OP-AMP	OMIT	2.2MEGO	2.2MEGO	2.7K	2.2K
		PART NO. 104-6811	121-5040			400-2741		100-2255	100-2255	100-2725	100-2225
-02	200TPI	VALUE 6.19K	500K	220K	OMIT	741 OP-AMP	USE	1.0MEGO	680K	12K	12K
		PART NO. 104-6191	121-5040	100-2245		400-2741		100-1055	100-6845	100-1235	100-1235

REVISIONS			
REV	DESCRIPTION	DATE	BY
1	51E 54"	8/22/77	...

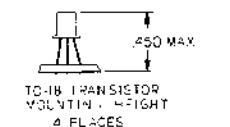
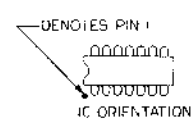
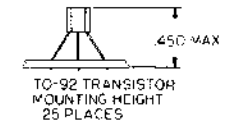
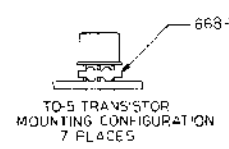
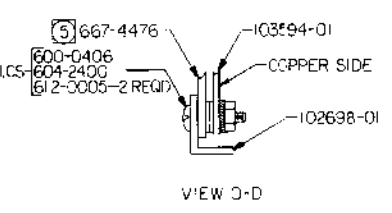
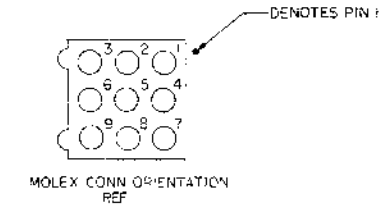
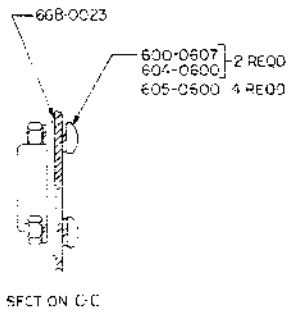
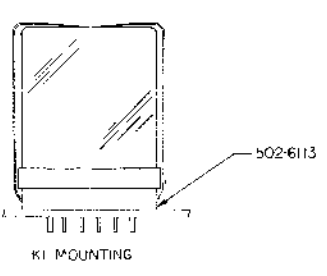
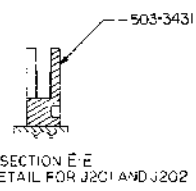
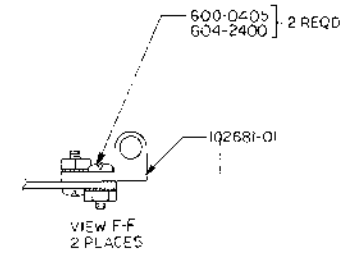
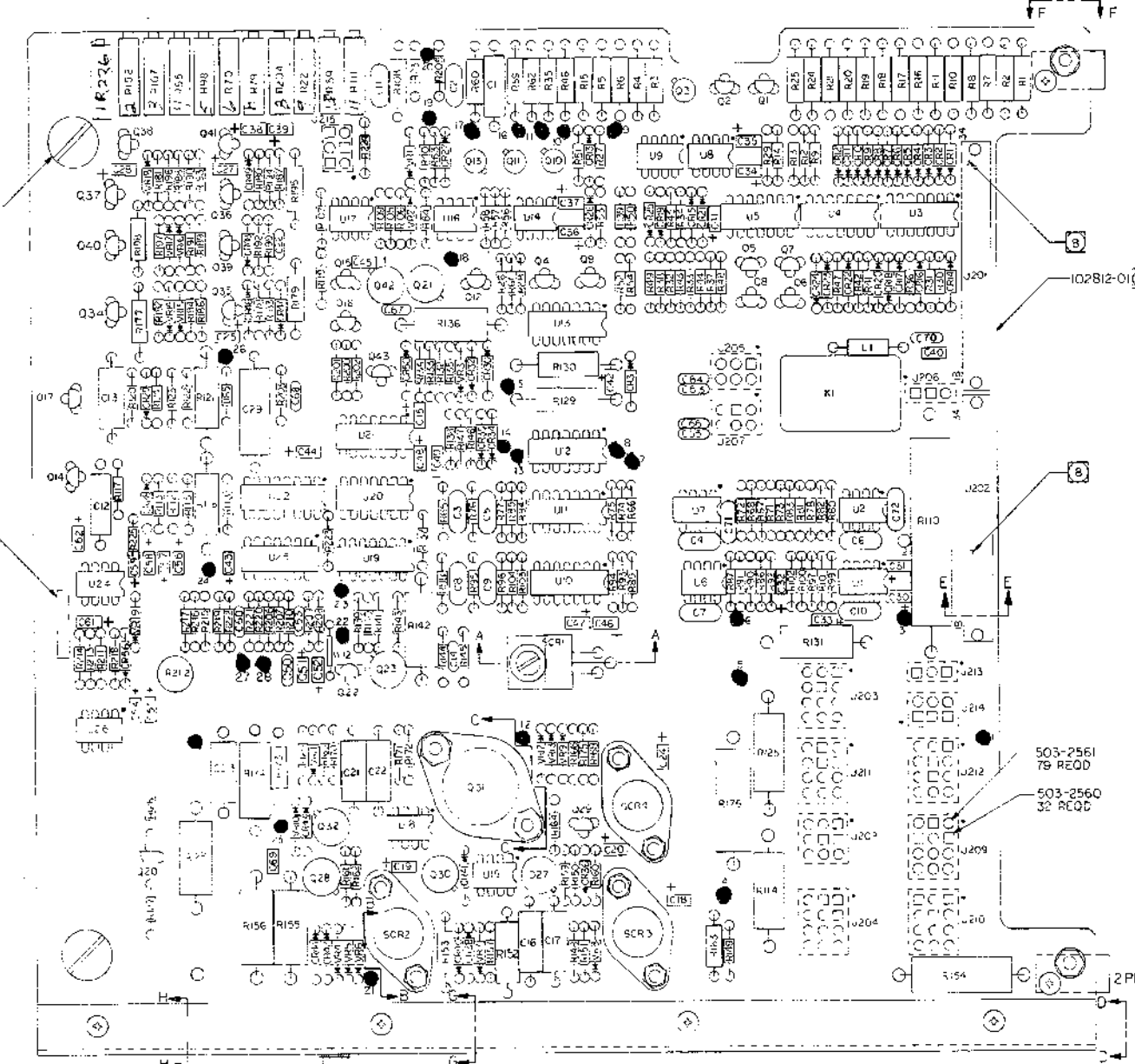
TABLE II

CI1	CR1	CR2	RI	R2	R7	RB	RI0	RI1	RI6	RI7	RI8	RI9	R20	R21	R24	R25	RI13	RI24	C50	C51	C52	C56	C57	C58	C59	WI2	C4	C6	R23	R35	R46	R51	R62	R68	R80	RI29
OMIT	OMIT	OMIT	OMIT	OMIT	51K	2.5K	56.2K	3.83K	82.5K	2.46K	82.5K	2.46K	133K	9.09K	96K	5.1K	1K	1K	OMIT	2.7	2.7	2.7	2.7	22	OMIT	OMIT	47 PF	47 PF	820K	422K	61.9K	220	287K	56K	2.20K	OMIT
OMIT	USE	USE	51.1K	3.16K	61.9K	237	82.5K	4.64K	121K	3.16K	162K	12.1K	196K	26.1K	422K	75K	1K	1K	OMIT	2.7	2.7	2.7	2.7	22	OMIT	OMIT	15PF	15PF	820K	1.5M	100K	330	562K	100K	270K	OMIT
	300-4446	300-4446	104-5112	104-3161	104-6192	104-2370	104-8252	104-4641	104-1213	104-3161	104-1623	104-1212	104-1963	104-2612	104-4223	104-7502	100-1025	100-1025		132-2752	132-2752	132-2752	132-2752	132-2262			130-4705	130-4705	100-8245	104-4223	104-6192	100-2215	104-2873	100-5635	100-2245	

R224	C71,72	U2,7	J715	RB7	R90	R33	H38
OMIT	OMIT	741 OP-AMP	OMIT	2.2MEGO	2.2MEGO	2.7K	2.2K
		400-2741		100-2255	100-2255	100-2725	100-2225
220K	OMIT	741 OP-AMP	USE	1.0MEGO	680K	12K	12K
100-2245		400-2741		100-1055	100-6845	100-1235	100-1235

<small>THIS DOCUMENT IS THE PROPERTY OF PERTEC CORPORATION. IT IS LOANED TO YOU AND IS NOT TO BE REPRODUCED, COPIED, OR TRANSMITTED IN ANY MANNER WITHOUT THE WRITTEN PERMISSION OF PERTEC CORPORATION.</small>		SIGNATURE <i>[Signature]</i>	DATE 8/22/77
<small>PERTEC CORPORATION, 1000 WASHINGTON STREET, BOSTON, MASSACHUSETTS 02115</small>		TITLE SCHEMATIC - SERVO BOARD	PERTEC PERIPHERAL EQUIPMENT
102811	28000	FINISH	MATL:
SIZE J	DIMENSIONAL DRAWING NO. 102810	SHEET NO. 7	TOTAL SHEETS 7

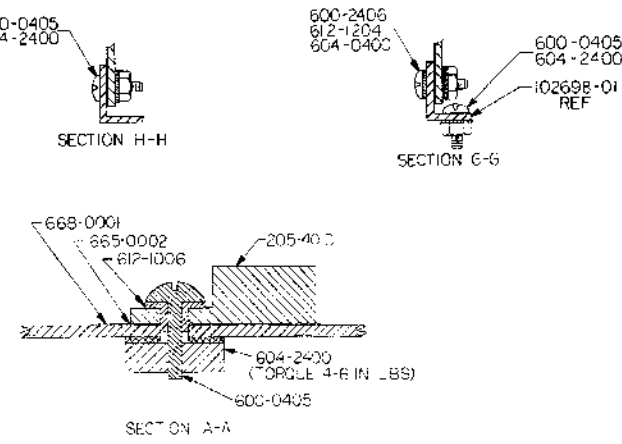
REV	DESCRIPTION	DATE	DR	CHK	APP
A	ERR 4-11-71-PROD RELEASE				
B	ECN 4224A				
C	ECN 4486				
D	ECN 4687				
E	ECN 5032A				
F	ERR 5-11-71-PRODUCTION RELEASE				
G	ECN 5159				
H	ECN 5411A				
I	ECN 5451				
J	ECN 5776				
K	ECN 5719				
L	ECN 6036				
M	ECN 6054A				
N	ECN 6147				
O	ECN 6724B				
P	ECN 6369				
Q	ECN 6664				



FOR ASSY VERSION INFORMATION SEE SCHEMATIC 102810  
FOR LIST OF MATERIALS SEE LM 102811 AND APPLICABLE  
DATA NO.

PART NO 102810ZREV J

- 600-0405 2 REQD  
604-0400 4 REQD  
605-0400 4 REQD
- 658-0066
- SECTION B-B 3 PLACES
- 658-0001  
665-0002  
612-1006
- 205-400  
604-2400  
600-0405  
(ORGLE 4-8 IN .LBS)
- SECTION A-A
- 8 REMOVE PIN 34 FOR J201 CONNECTOR KEYING AND REMOVE PIN 24 FOR J202 CONNECTOR KEYING.
- 7. (DELETED)
- 6. (DELETED)
- 5 LEAVE INSTALLING SUPPORT ANGLE 102698-0 TO THE BOARD ASSY. APPLY VINYL TAPE 6674476 TO THE PCB CARD AS SHOWN IN VIEW D-D. TRIM TO CLEAR COMPONENTS AS REQD.
- 4 THIS ASSY SHALL BE MADE FROM PROCESS BOARD 10282 REV 1 AND SUBSEQUENT.
- 3 RUBBER STAMP ASSY PART NO. INCLUDING VERSION NO. AND VERSION ISSUE LETTER.
- 2 ASSEMBLE PER STANDARD MFG METHODS.
- 1. REFERENCE DRAWINGS: SCHEMATIC 102810 SPECIFICATION 102814



SIGNATURES		DATE
DESIGNED BY	DR	
CHECKED BY	CHK	
APPROVED BY	APP	
<b>PERTEC PERIPHERAL EQUIPMENT</b> TITLE <b>PCBA SERVO BOARD</b>		
SIZE	CONV	DWG NO
E		10281
REV		R

REVISIONS				
REV	DESCRIPTION	DATE	DR	CHK
A	ERN 4-JP PRE-PROD RELEASE	7/14/72	1995	
	ERN 4-Y-Z PRODUCTION RELEASE	11/16/72	2	1995
B	ECN 5692A	11/16/72	2	1995

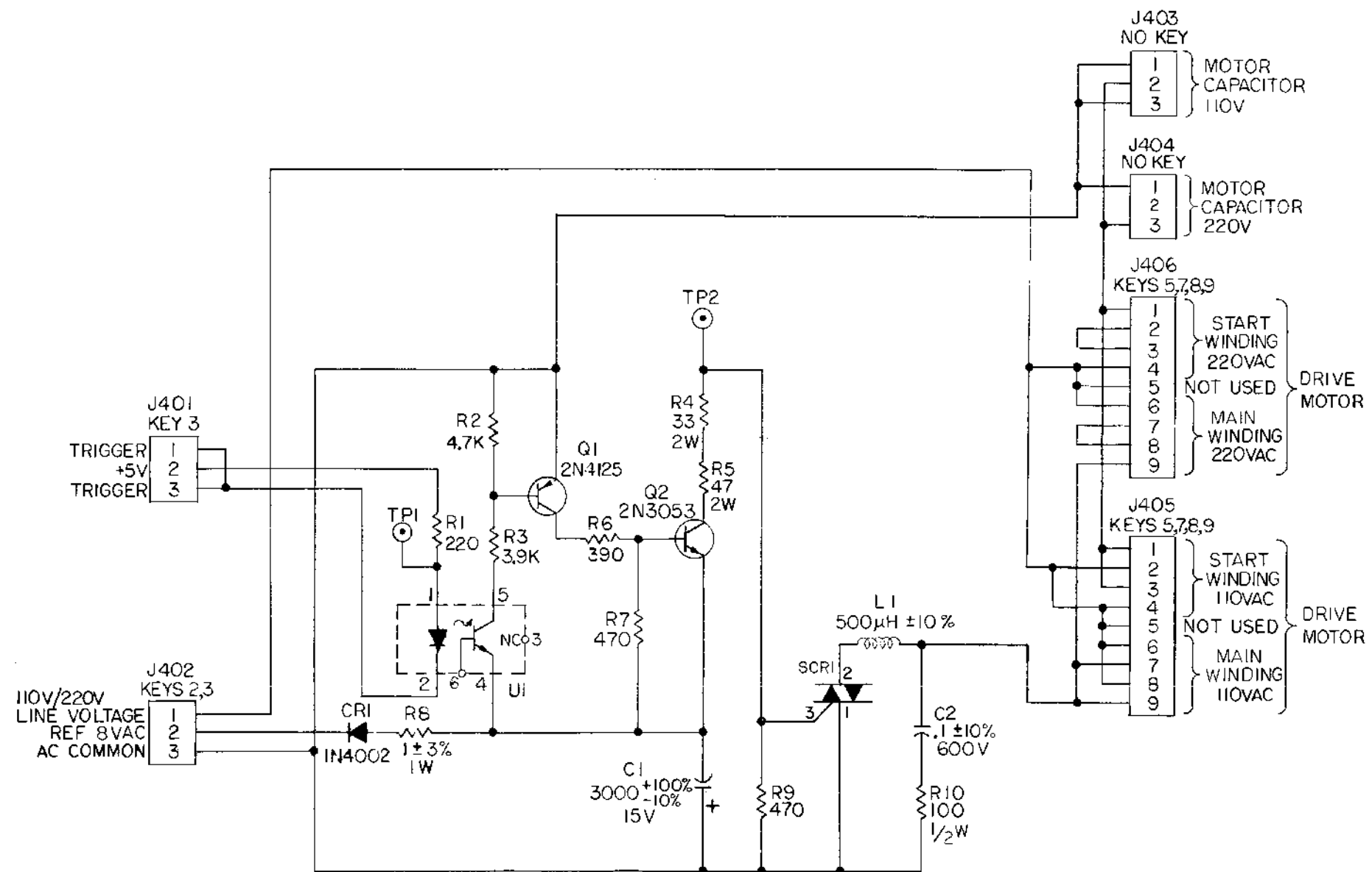
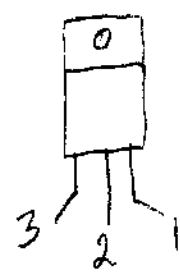


TABLE I

REF DES	VARIABLE VALUE	PART NO.	COMMON	-OI
C1		134-3000	X	X
C2		131-1046	X	X
CRI		300-4002	X	X
SCR1		205-40.0	X	X
Q1		200-4125	X	X
Q2		200-3053	X	X
R1		100-2215	X	X
R2		100-4725	X	X
R3		100-3925	X	X
R4		103-3305	X	X
R5		103-4705	X	X
R6		100-3915	X	X
R7,R9		100-4715	X	X
R8		113-0103	X	X
R10		101-1015	X	X
UI		403-0001	X	X
L1		103585-01	X	X

REFERENCE DESIGNATIONS	
LAST USED	DELETED
C2	
CRI	
J406	
L1	
Q2	
R10	
SCR1	
UI	

3. ALL CAPACITOR VALUES ARE IN MICROFARADS.  
 2. ALL RESISTOR VALUES ARE IN OHMS, 5% .1/4W.  
 (1) FOR VALUES, PART NOS. AND USAGE OF COMPONENTS NOT AFFECTED BY VERSION NO. SEE TABLE I.  
 NOTES: UNLESS OTHERWISE SPECIFIED.

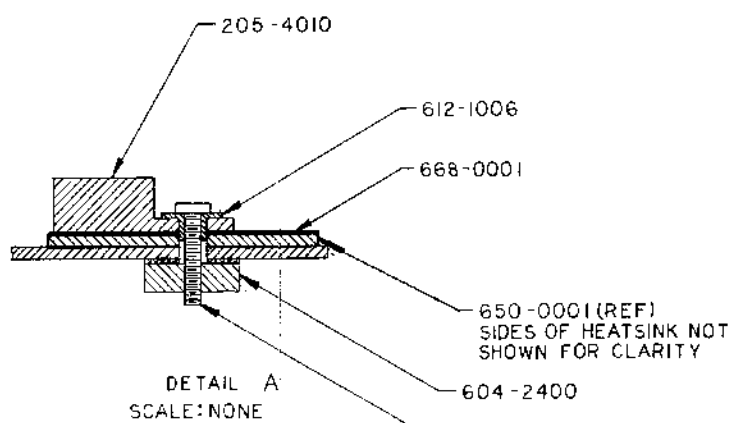
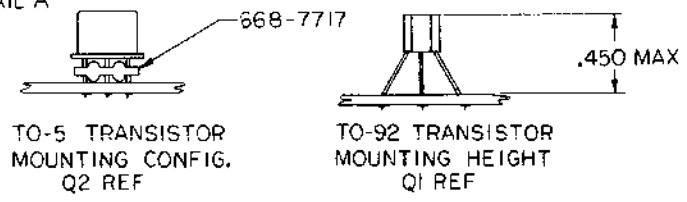
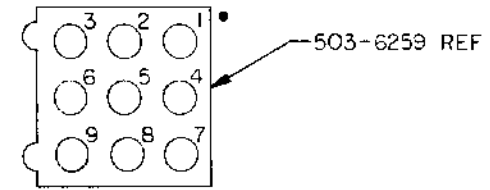
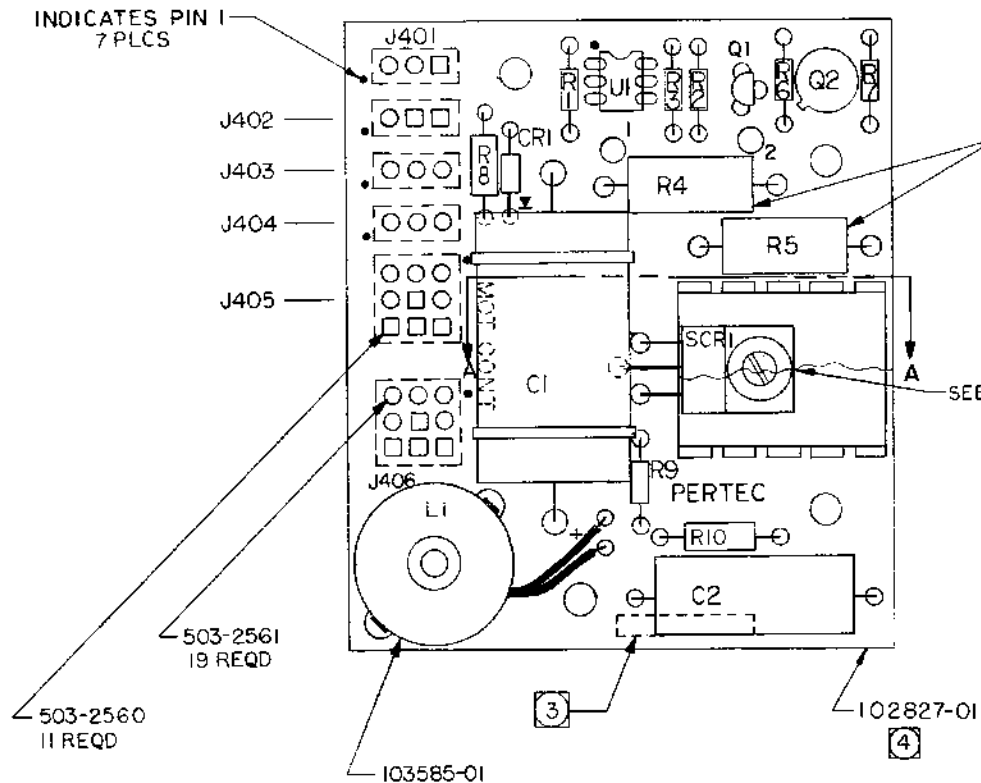
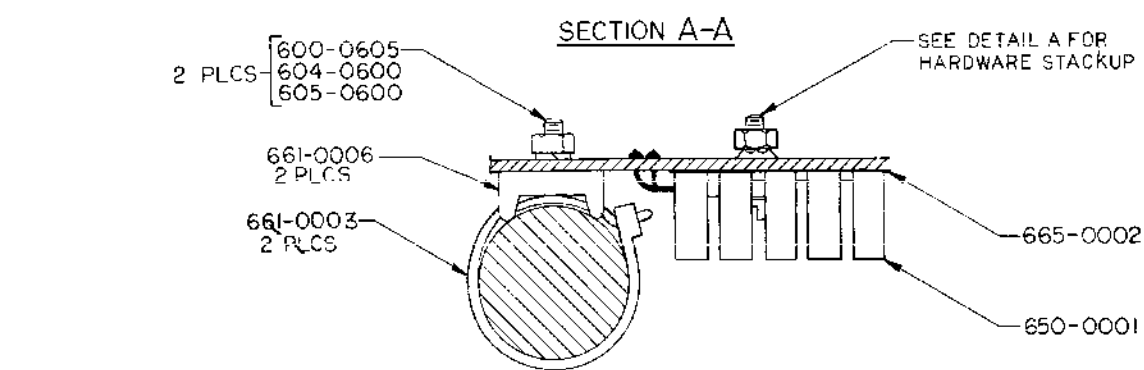


UNLESS OTHERWISE SPECIFIED DIMENSIONS ARE IN INCHES TOLERANCES: .XX ± .010 .XXX ± .005 ANGULAR 1/2° 3/4° ± .05 BREAK ALL SHARP CORNERS APPROX. .010		THIS INFORMATION IS THE PROPERTY OF PERTEC PERIPHERAL EQUIPMENT CORPORATION. NO REPRODUCTION OR UNAUTHORIZED USE SHALL BE MADE.	
SIGNATURES: DR: [Signature] CHK: [Signature] DES: [Signature] ENGR: [Signature]		DATE: 9/18/72	
FINISH: [Blank]		TITLE: SCHEMATIC - MOTOR CONTROL	
MATERIAL: [Blank]		SCALE: [Blank]	
NEXT ASSY: D3000		DWG NO.: 102825	
APPLICATION: [Blank]		REV: B	

8 7 6 5 4 3 2 1

8 7 6 5 4 3 2 1

REVISIONS					
REV	DESCRIPTION	DATE	DR	CHK	APPR
A	ERN 4-HX PRE-PROD RELEASE	5/1/73	J.C.	J.H.	J.H.
B	ECN 4278	11/27/73	J.H.	J.H.	J.H.
C	ERN 4-Y-Z PRODUCTION-RELEASE	11/27/73	J.H.	J.H.	J.H.
D	ECN 5692A	11/27/73	J.H.	J.H.	J.H.

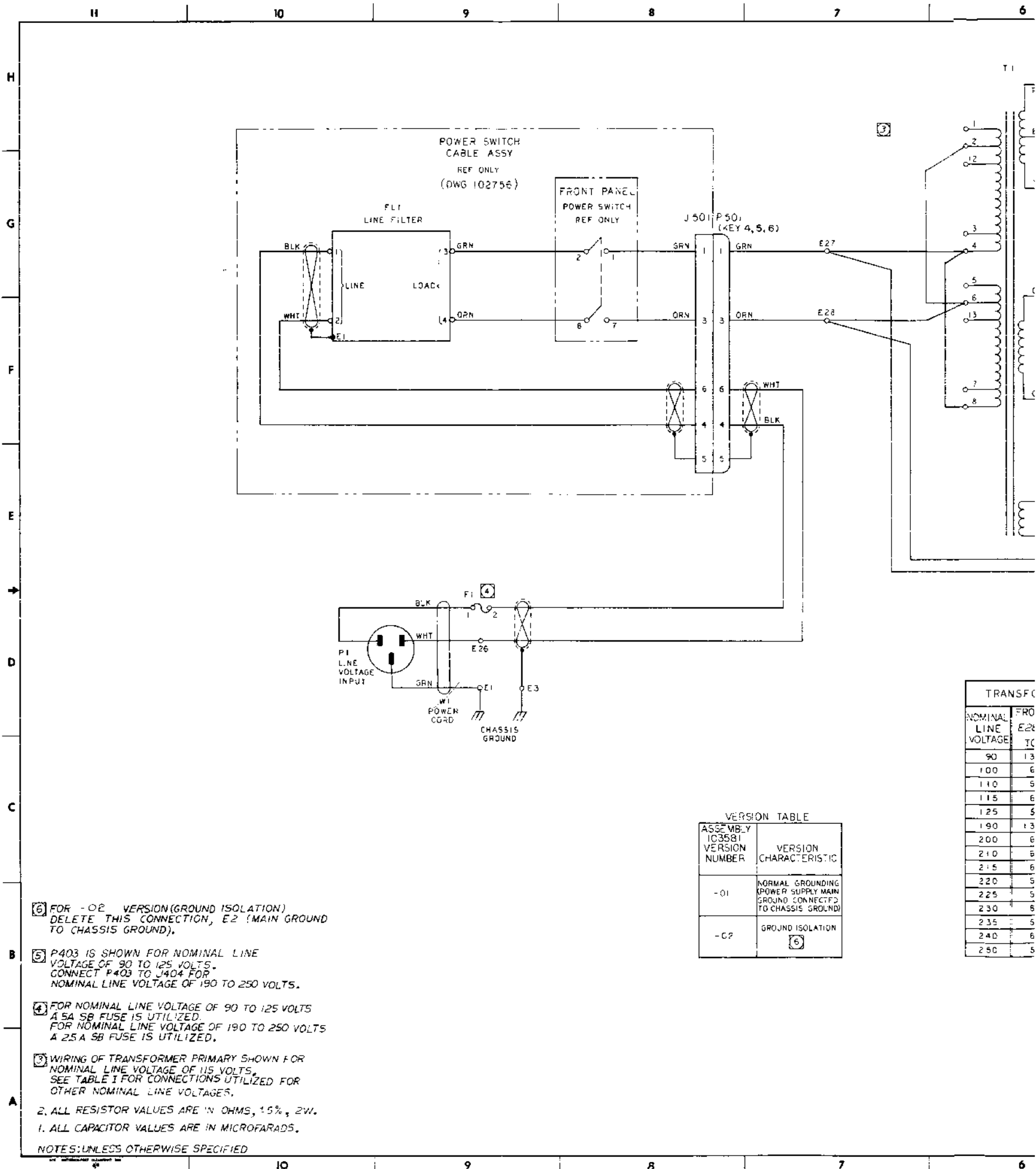


- ⑤ RESISTORS R4 & R5 SHOULD HAVE .100 CLEARANCE SPACE OFF THE SURFACE OF PC BOARD.
  - ④ THIS ASSY SHALL BE MADE FROM PROCESS BOARD 102827-01 REV D AND SUBSEQUENT.
  - ③ RUBBER STAMP ASSY PART NO. INCLUDING VERSION NO. AND VERSION ISSUE LETTER.
2. ASSEMBLE PER STANDARD MFG METHODS.
1. REFERENCE DRAWINGS: SCHEMATIC — 102825  
SPECIFICATION — 102829
- NOTES: UNLESS OTHERWISE SPECIFIED.

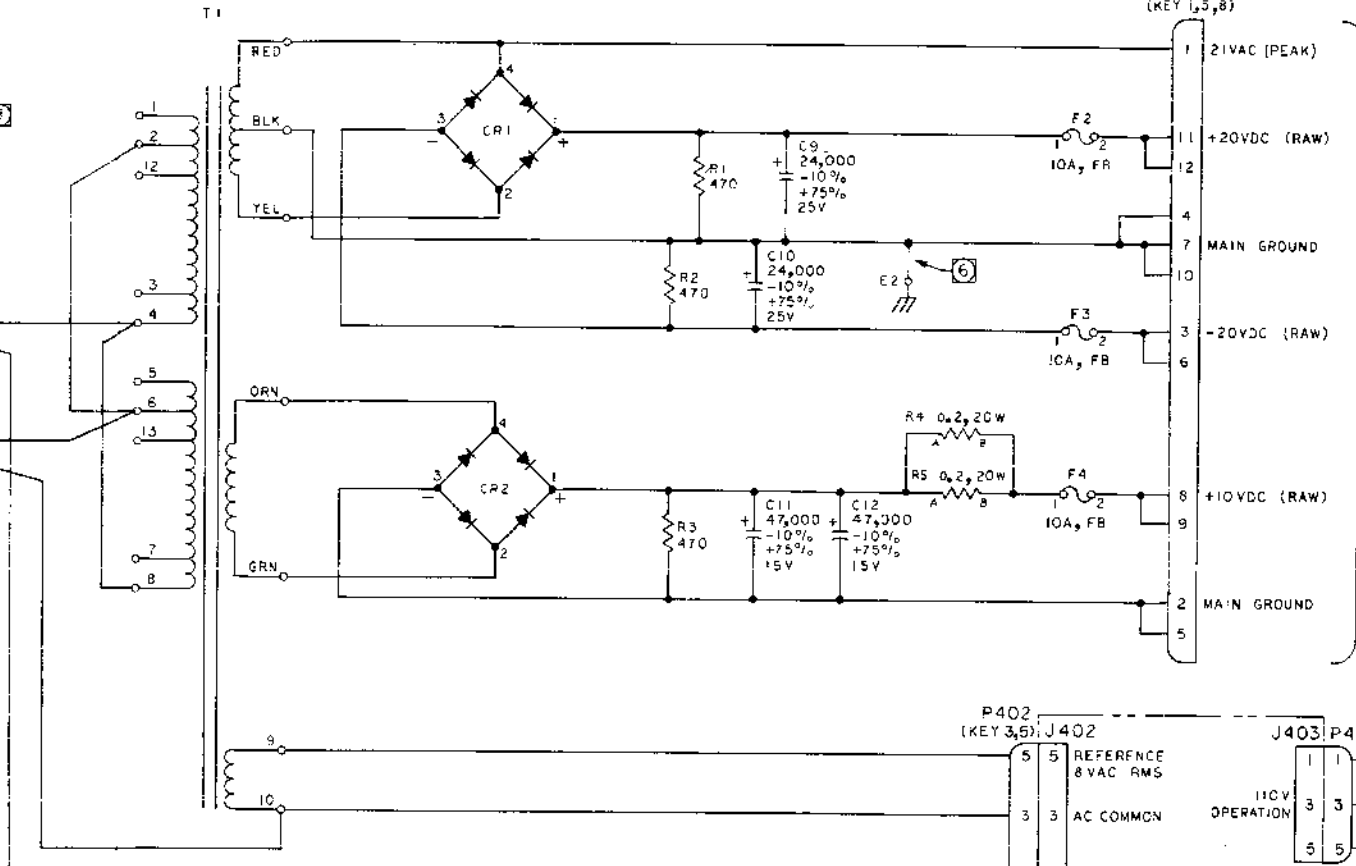
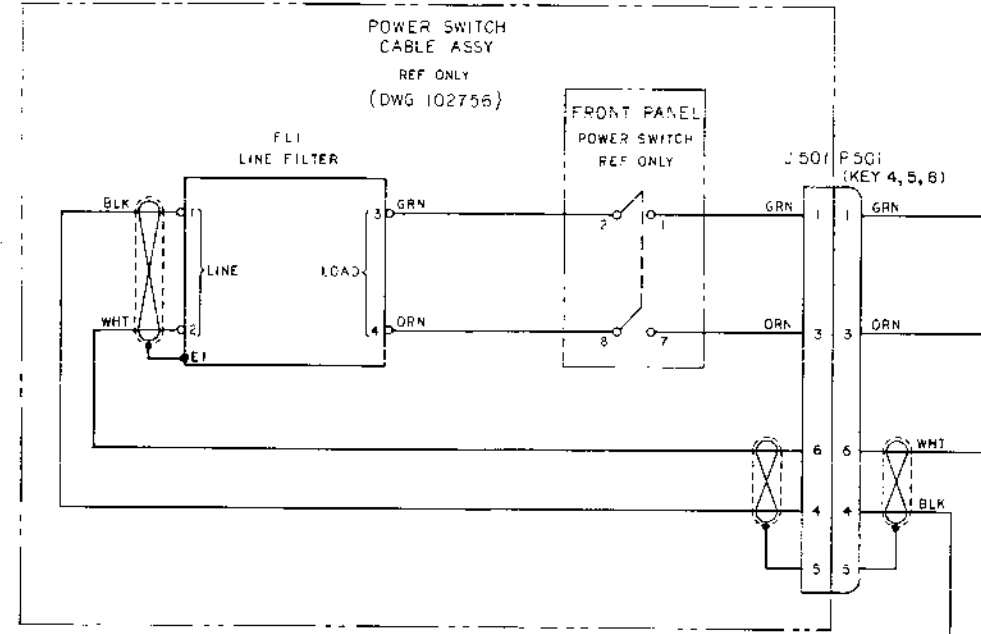
*Version -01 Rev D*

FOR ASSY VERSION INFORMATION SEE SCHEMATIC 102825.  
FOR LIST OF MATERIALS SEE LM 102826 AND APPLICABLE DASH NO.

SIGNATURES		DATE	<b>PERTEC PERIPHERAL EQUIPMENT</b> TITLE <b>PCBA - MOTOR CONTROL</b>
DR.	<i>[Signature]</i>	4/2/73	
CHK.	<i>[Signature]</i>	4/2/73	
ENGR.	<i>[Signature]</i>	4/2/73	
UNLESS OTHERWISE SPECIFIED DIMENSIONS ARE IN INCHES			
TOLERANCES:	ANGULAR		
XX ±	—		
XXX ±	—		
XX	—		
BREAK ALL SHARP CORNERS APPROX .010			
FINISH:	MATL.	SIZE	CODE/IDENT NO. / DWG NO.
102741	D3000	D	102826
NEXT ASSY	1ST USED ON	SCALE	DO NOT SCALE DWG
APPLICATION		2/1	SHEET 1 OF 1



REV	DESCRIPTION	DATE	BY	CHK	APP
A	ERN 6-VG PROD. REL.	10/14/68	RES		



TO SERVO BOARD

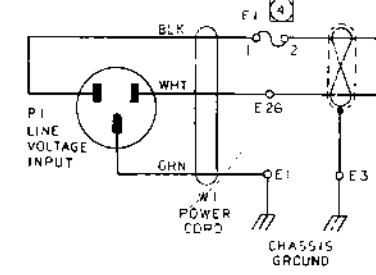
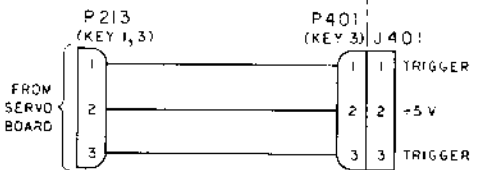


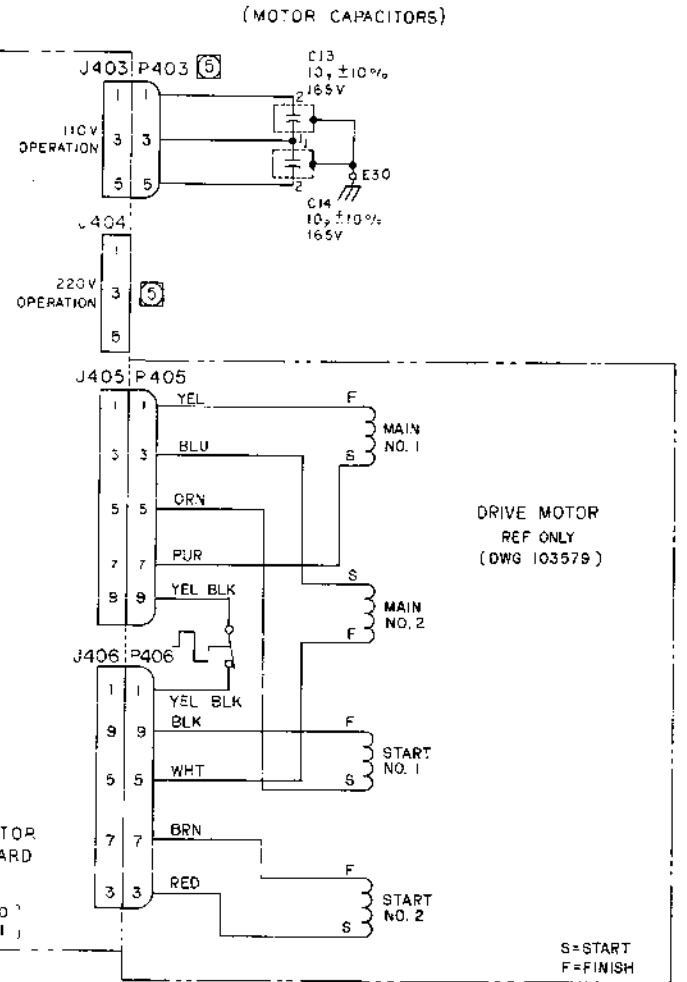
TABLE I (3)

NOMINAL LINE VOLTAGE	FROM E28		FROM E27		JUMPER FROM		JUMPER TO	
	TO	TO	FROM	TO	FROM	TO	FROM	TO
90	13	3	12	13	3	7		
100	6	3	2	6	3	7		
110	5	3	1	5	3	7		
115	6	4	2	6	4	8		
125	5	4	1	5	4	8		
190	13	3	12	7				
200	6	3	2	7				
210	6	3	1	7				
215	6	4	2	7				
220	5	3	1	7				
225	5	4	2	7				
230	6	4	2	8				
235	5	4	1	7				
240	6	4	1	8				
250	5	4	1	8				

ASSEMBLY NUMBER	VERSION NUMBER	VERSION CHARACTERISTIC
103581	-01	NORMAL GROUNDING (POWER SUPPLY MAIN GROUND CONNECTED TO CHASSIS GROUND)
	-02	GROUND ISOLATION (6)



NOT USED	LAST USED	DELETED
C1 THRU C8	C14	
	CR2	
	F4	
	R5	
	T1	
	W.	



FOR ASSEMBLY SEE 103581

<p>103581 D 3400</p> <p>103581 D 3000</p> <p>DATE: 10/14/68</p> <p>BY: RES</p> <p>CHK: [Signature]</p> <p>APP: [Signature]</p>	<p>PERTEC PERIPHERAL EQUIPMENT</p> <p>SIGNATURES</p> <p>DATE</p> <p>DESIGNED BY: [Signature]</p> <p>CHECKED BY: [Signature]</p> <p>DATE: 10/14/68</p> <p>BY: [Signature]</p> <p>CHK: [Signature]</p> <p>APP: [Signature]</p>	<p>TITLE</p> <p>SCHMATIC, POWER SUPPLY</p> <p>103580</p> <p>REV. 1</p>
--	--	--

GROUND ISOLATION)  
E1 (LINE VOLTAGE INPUT), E2 (MAIN GROUND)

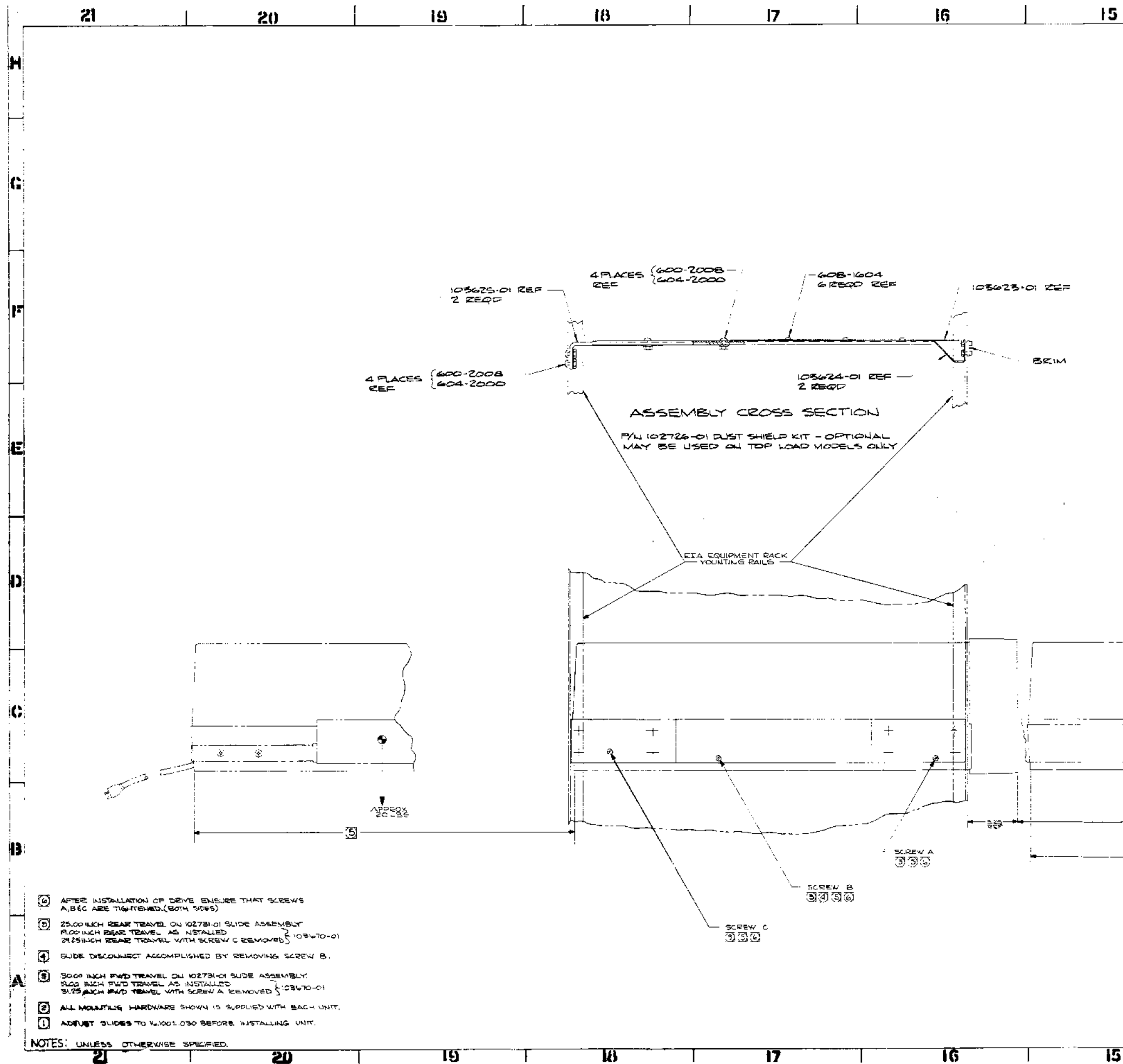
NOMINAL LINE VOLTAGE RANGE FOR 90 TO 250 VOLTS.

RESISTANCE OF 90 TO 125 VOLTS RANGE OF 190 TO 250 VOLTS RANGE.

RESISTANCE IN OHMS, ±5%, 2W.

RESISTANCE IN MICROFARADS.

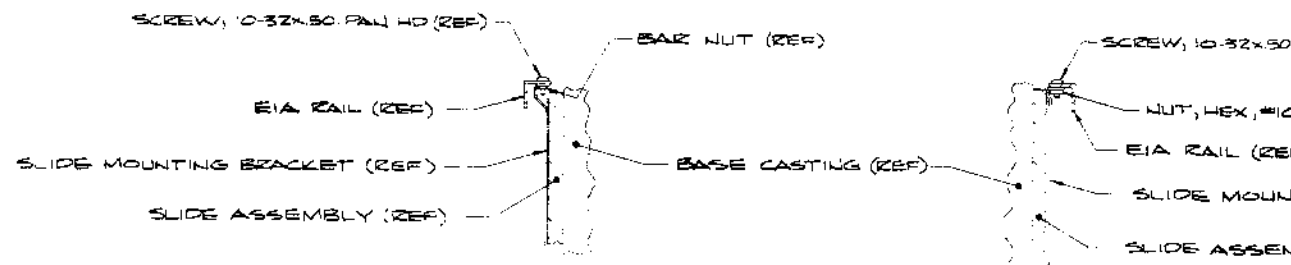
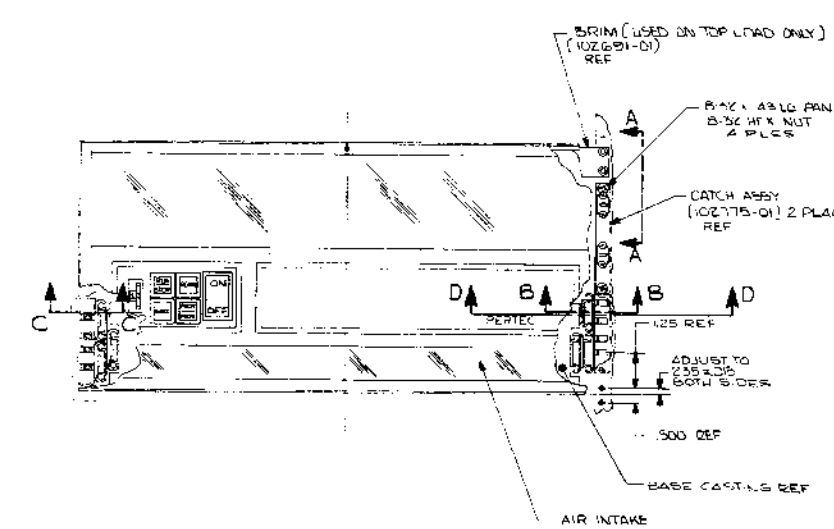
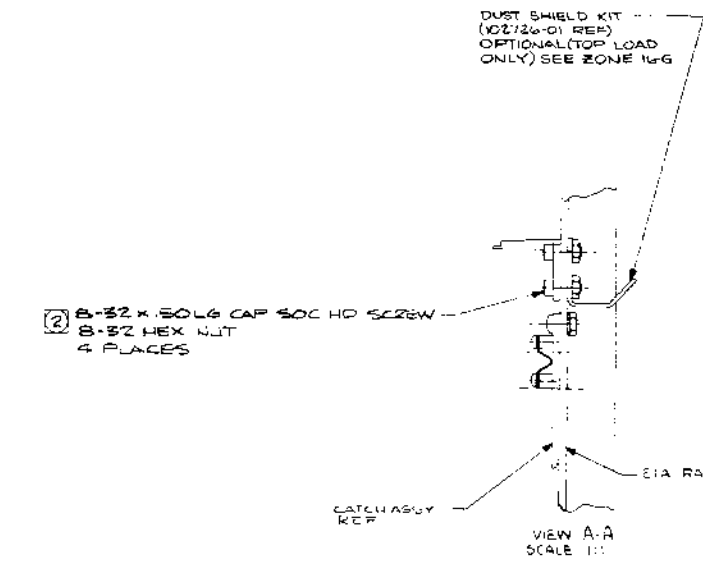
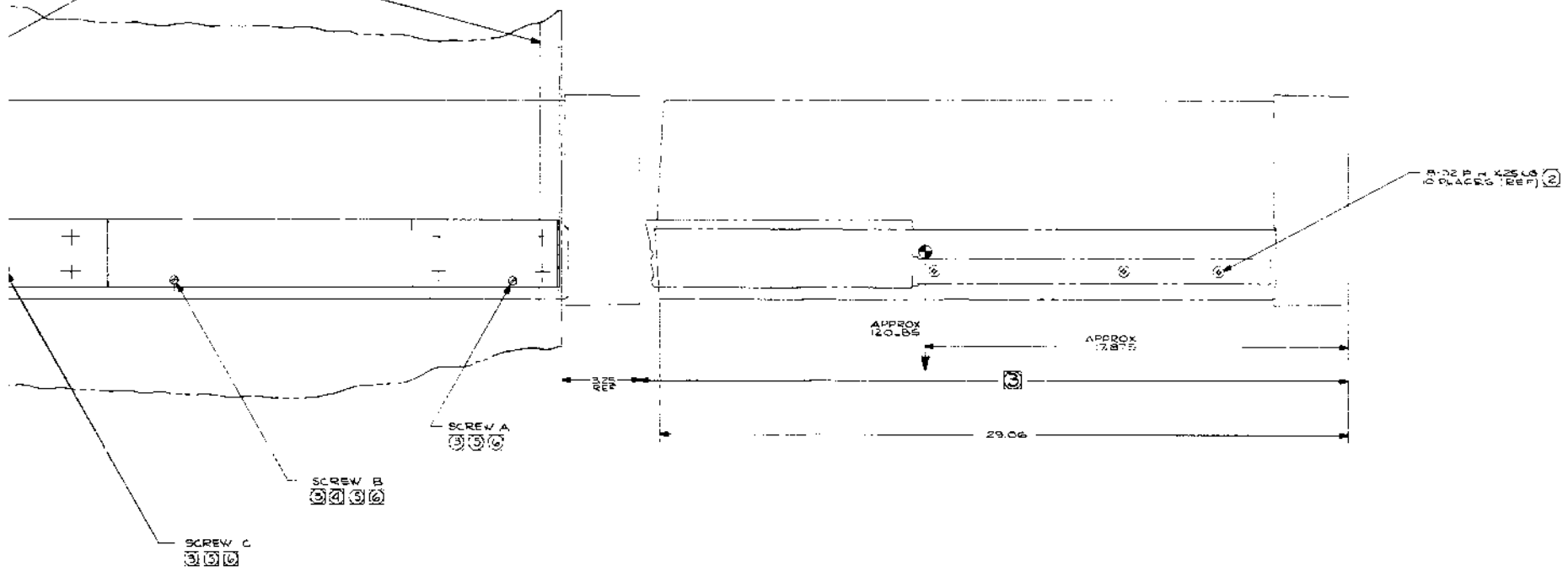
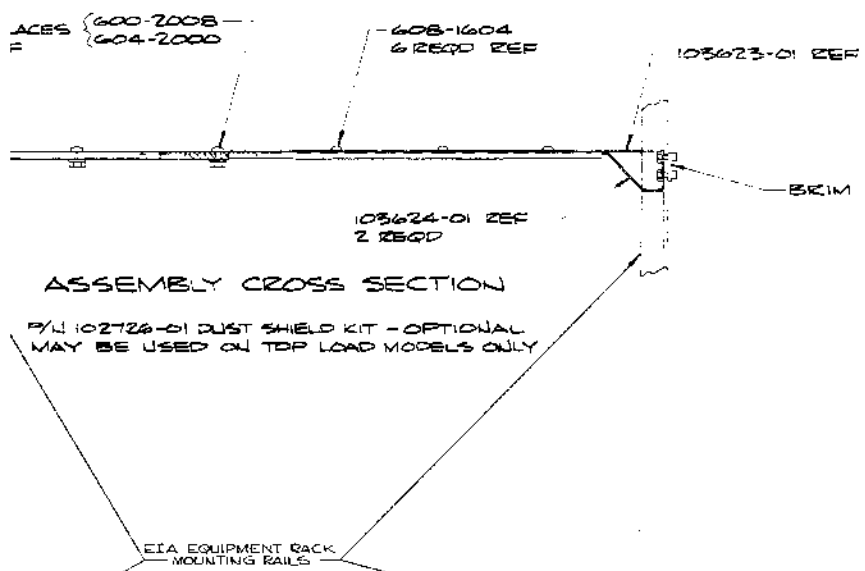
RESISTANCE SPECIFIED



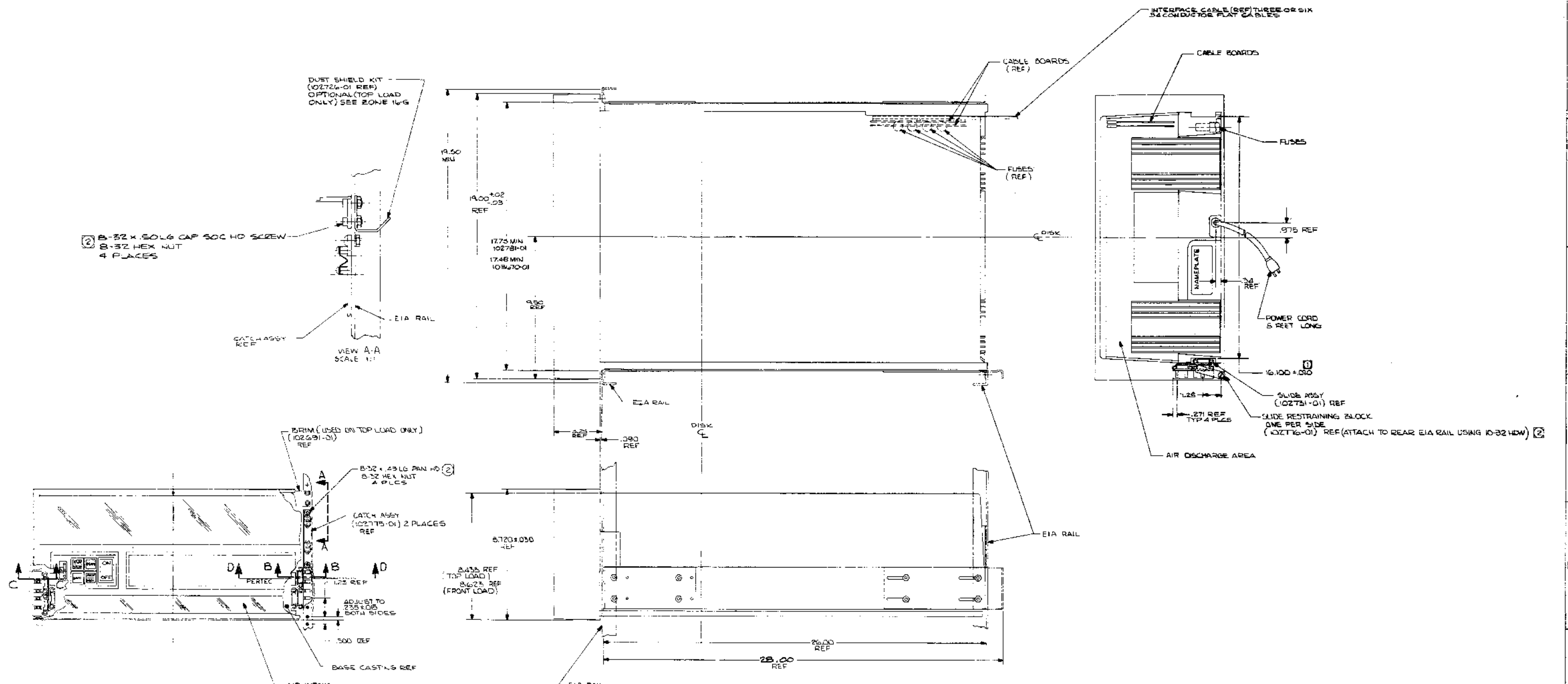
- ⑥ AFTER INSTALLATION OF DRIVE ENSURE THAT SCREWS A, B & C ARE TIGHTENED. (BOTH SIDES)
- ⑤ 25.00 INCH REAR TRAVEL ON 102731-01 SLIDE ASSEMBLY  
 19.00 INCH REAR TRAVEL AS INSTALLED } 103670-01  
 21.25 INCH REAR TRAVEL WITH SCREW C REMOVED }
- ④ SLIDE DISCONNECT ACCOMPLISHED BY REMOVING SCREW B.
- ③ 30.00 INCH FWD TRAVEL ON 102731-01 SLIDE ASSEMBLY  
 18.00 INCH FWD TRAVEL AS INSTALLED } 103670-01  
 31.25 INCH FWD TRAVEL WITH SCREW A REMOVED }
- ② ALL MOUNTING HARDWARE SHOWN IS SUPPLIED WITH EACH UNIT.
- ① ADJUST SLIDES TO 141001-030 BEFORE INSTALLING UNIT.

NOTES: UNLESS OTHERWISE SPECIFIED.





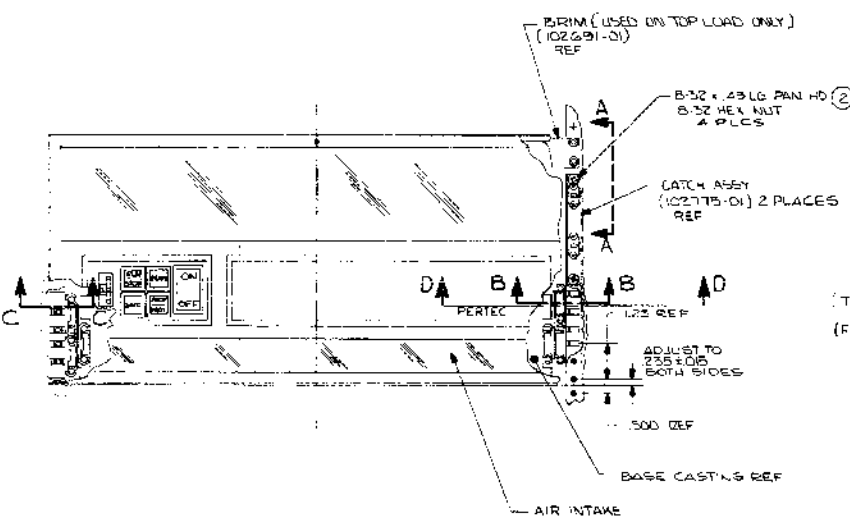
REV	DESCRIPTION	DATE	BY	CHK	APP
A	CHANGE KIT PRE-PROD RELEASE	11/80	...	...	...
B	ECN 4970	...	...	...	...
C	ECN 5997	...	...	...	...
D	ECN 5792	...	...	...	...
E	ECN 6398	...	...	...	...



- ② B-32 X .50 LG CAP SOC HD SCREW
- B-32 HEX NUT
- 4 PLACES

DUST SHIELD KIT  
(10726-01 REF)  
OPTIONAL (TOP LOAD ONLY) SEE ZONE 14/G

VIEW A-A  
SCALE 1:1



SECTION C-C  
CHASSIS TRACK SIDE  
(SLIDE PN 102731-01)

SECTION B-B  
ACCURIDE SLIDE  
(SLIDE PN 102731-01)

SECTION D-D  
109670-01 SLIDE

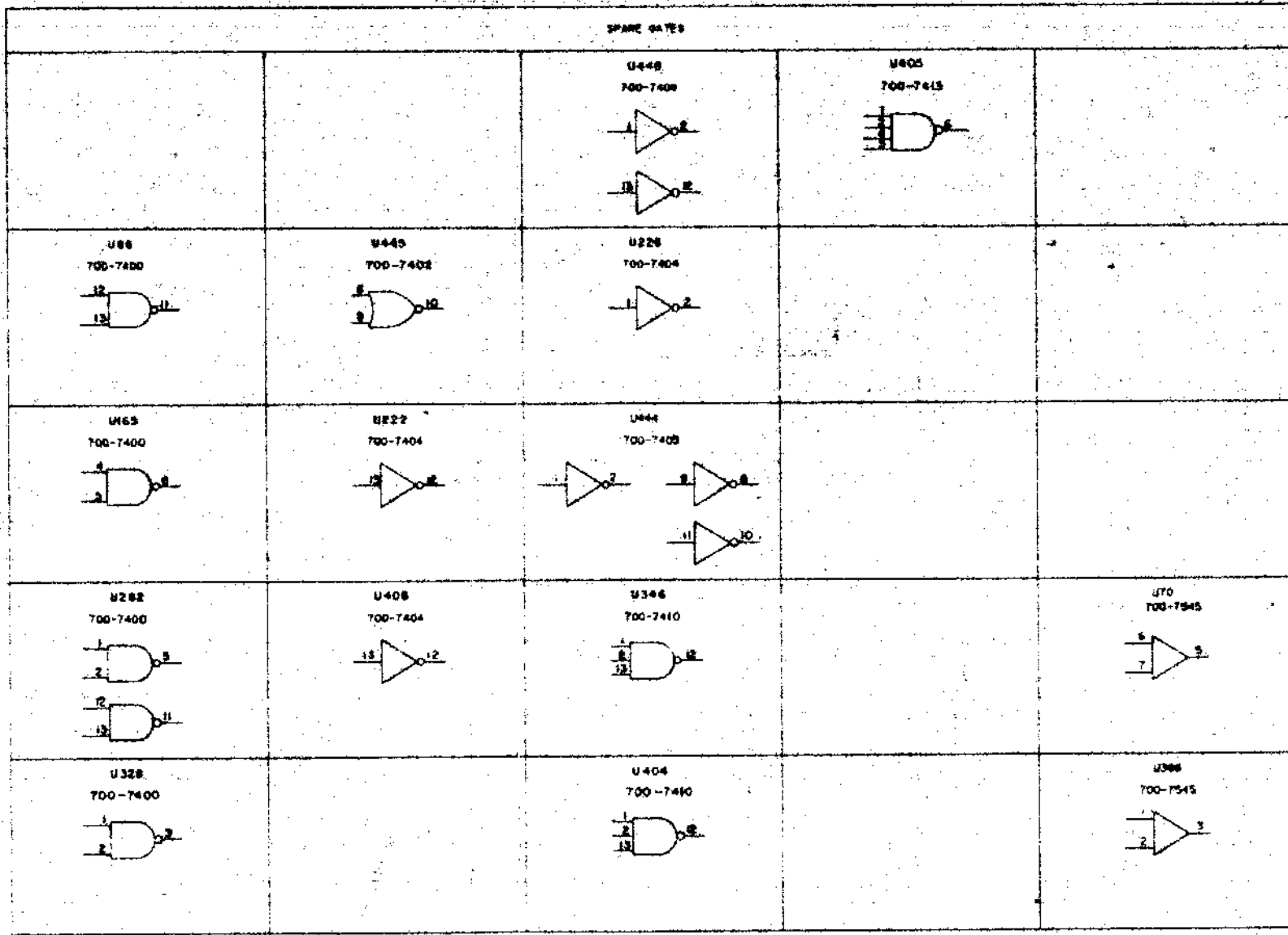
- BASE CASTING (REF)
- SLIDE MOUNTING BRACKET (REF)
- SLIDE ASSEMBLY (REF)
- SCREW, 10-32 X .50, PAN HD (REF)
- NUT, HEX, #10 (REF)
- EIA RAIL (REF)

- SCREW, 10-32 X .50, PAN HEAD (REF)
- EIA RAIL (REF)
- BAR NUT (REF) OR NUT, 10-32 W/ PRE-ASSEMBLED LOCK WASHER (REF)
- SLIDE MOUNTING BKT (REF)
- SLIDE ASSY (REF)

<p>PERTEC PERIPHERAL EQUIPMENT</p> <p>103587</p>	<p>DATE: 11/80</p> <p>BY: [Signature]</p> <p>CHK: [Signature]</p> <p>TITLE: INSTALLATION DWG</p>
--	--

**TABLE I**

PART NO.	REF. DESIGNATION	PART NO.	REF. DESIGNATION
100-1020	R12	700-4181	U1, 41, 81, 109, U121, 124, 125, U143, 144, 145, U181, 184, 185, U181, 184, 202, U208, 221, 241, U263
100-1028	R1 THRU 8, 11 THRU 24, 26, 43, 46, 47, 58, 59, 67 THRU 70, 73	700-4184	U2, 22, 23, 43, 109
100-1030	R3, 32, 35	700-9187	U268, 408
100-1618	R9, 80	700-5733	U227
100-1820	R38	700-7400	U48, 86, 87, U183, 223, 246, 282, 304, 328, U343, 385, 403
100-1845	R37	700-7402	U46, 63, 82, 108, U122, 183, 187, U283, 284, 324, U327, 383, 405, 448
100-1825	R42	700-7404	U42, 50, 51, 71, U72, 81, 100, U123, 182, 185, U186, 222, 224, U226, 303, 348, U362, 363, 365, U401, 408, 423, U448
100-2218	R14	700-7405	U147, 444, 445, U447
100-2725	R1, 23	700-7410	U107, U264, 266, 326, U346, 361, 404
100-2748	R63	700-7413	U288, 402
100-3318	R11, 40	700-7430	U308, 442
100-3325	R33, 65	700-7450	U42, 84, 85, 89, U104, 105
100-4718	R27, 38, 48, 49	700-7476	U83, U129, 142, 183, U187, 203, 206, U242, 243, 267, U341, 344, 345, U384, 384, 428
100-4720	R4, 34, 41	700-7483	U382, 421
100-4735	R60, 61, 84	700-7486	U422, 441, 443
100-5635	R63	700-7493	U225, 249, 269, U285, 305, 325
100-5618	R15	700-7496	U88, 110, U182, 244, 323, 347
100-6425	R23, 56	700-7419	U287, 302, 308, U321, 342, 381
101-6805	R44, 45	700-7848	U3, 44, 45, 46, 47, U64, 65, 66, 67, U68, 68, 70, 386, U407, 424
104-2370	R13	700-7485	U261, 262, 281
104-5112	R28	700-7480	U127, 148
104-5113	R29, 30		
121-5020	R97		
130-1085	C8		
130-1518	C22		
130-4708	C11, 15, 23		
130-2215	C		
130-6608	C24		
131-1020	C12		
131-530	C79, 80		
132-2762	C18, 17		
132-2782	C6, 7, 9, 10, 13, 14, C18, 19, 20, 28, C26, 28, 29, 30 THRU 76		
138-4742	C2, 3, 8, 21, 27, 77		
200-5281	G1, 2		
300-4446	CR5		
330-0685	CR8		
400-0318	U423		
400-2741	U168, 397		
824-0002	Y1		



**REFERENCE DESIGNATIONS**

LAST USED	NOT USED	DELETED
C4		
CR6		
Q3		
J128	J15 THRU J20	
R74	R18	
YF30		
U448	U4 THRU 21, 24 THRU 40, U52 THRU 60, 73 THRU 80, U88 THRU 100, 103, 110 THRU 120, U124, 130 THRU 161, 168 THRU 180, U189 THRU 180, 188 THRU 201, U204, 207 THRU 220, 228 THRU 240, U247 THRU 260, 269 THRU 280, U288 THRU 303, 307, 309 THRU 320, U323 THRU 340, 343 THRU 340, U346 THRU 360, 368 THRU 400, U410 THRU 420, 428 THRU 440	
U26		
Y1		

**TABLE II**

ASSY 108705 VERSION NUMBER	GATES PER INCH		INTERNAL TERMINATION VOLTAGE POWER SUPPLY	TOM VOL FEET
	100	200		
-01	X		X	
-02		X	X	
-03	X			
-04		X		
-05	X		X	
-06		X	X	
-07	X			
-08		X		
-09	X			
-10		X	X	
-11	X		X	
-12		X	X	
-13	X			
-14		X		
-15	X		X	
-16		X	X	
-17	X			
-18		X		
-19	X		X	
-20		X	X	

**TABLE III**

ASSY 108705 VERSION NUMBER	W23	W24	W25
	R/M 100-0005	P/N 100-0005	R/M 100-0005
	USAGE		
-01	USE	OMIT	USE
-02			
-03			
-04			
-05			
-06			
-07			
-08			
-09	USE	OMIT	USE
-10			
-11			
-12	OMIT	USE	OMIT
-13			
-14			
-15			
-16			
-17			
-18			
-19	OMIT	USE	OMIT
-20	OMIT	USE	OMIT

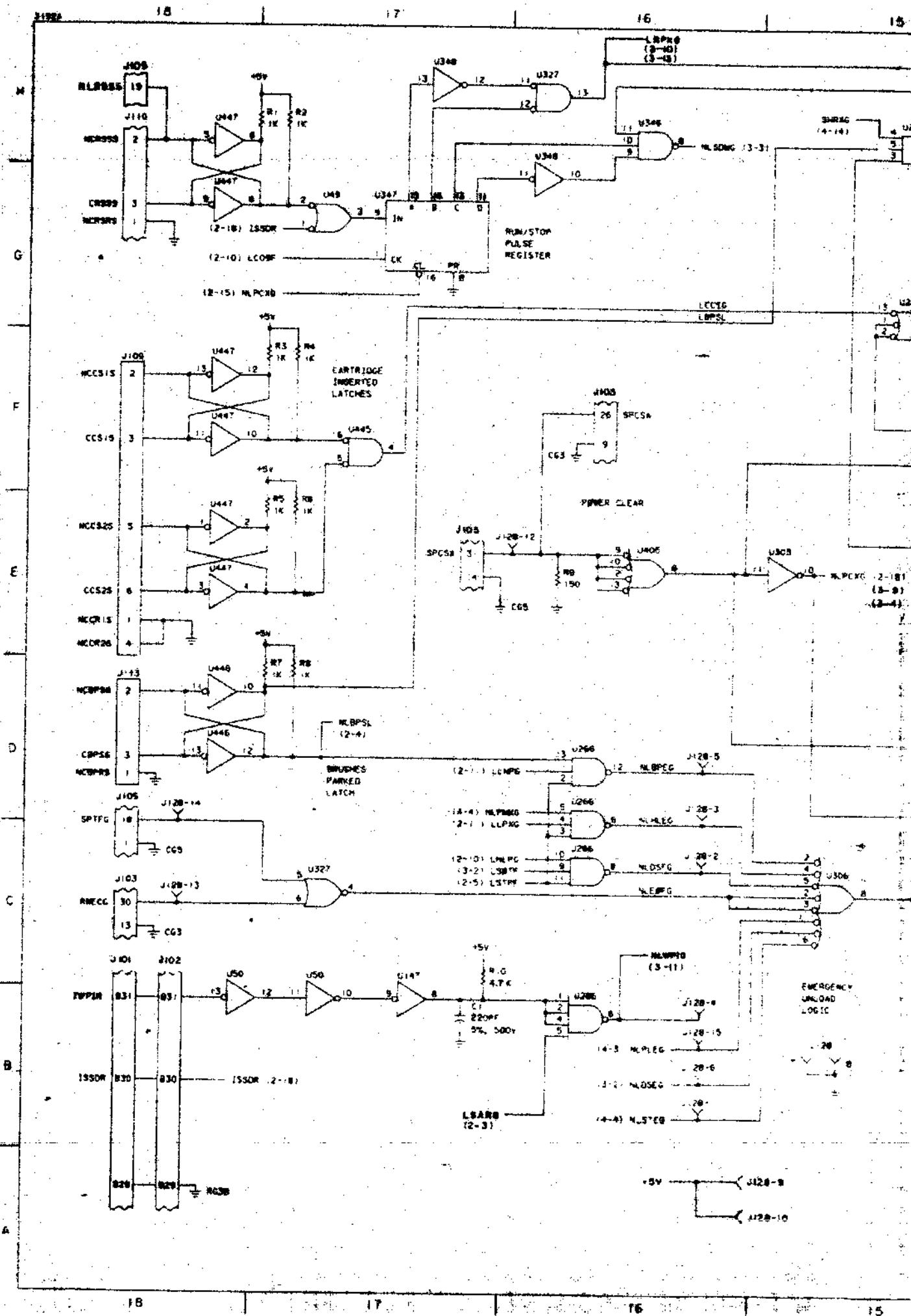
TABLE I ⑤

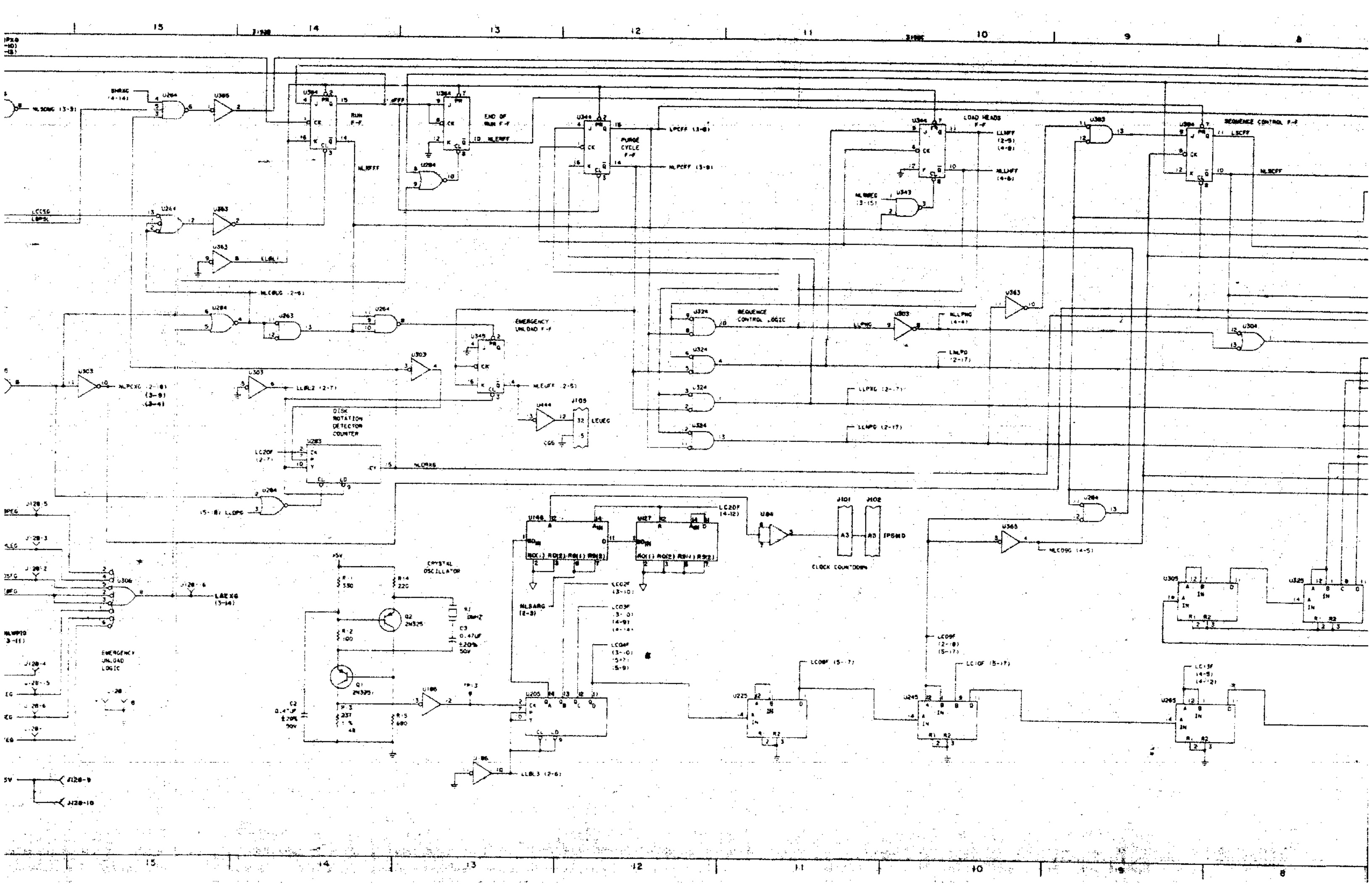
ASSY VERSION NUMBER	TRACKS PER INCH		INTERNAL TERMINATION VOLTAGE POWER SUPPLY	TERMINATION VOLTAGE FEED-THRU	GROUND ISOLATION	SPECIAL INTERFACE OPTION FOR SAFE CONDITION INDICATION	READY SIGNAL SATED BY INTERNAL TEMP GO TOO TP1 ONLY	200 TP1 INTERNAL TEMP GO	+5V TIMER		U1 THRU CR4	C78	R25,26	R71	R72	U30,322	U402	W1	W3	W4	W6	W7	W8	W10	W11	W12	W13	W14	W15	W16	W17	W18
	100	200									P/N 300-4002	P/N 137-2730	P/N 100-1015		P/N 101-1825	P/N 700-7418	P/N 700-7489	P/N 100-3730	P/N 100373-02	P/N 100373-01												
-0	X		X								USE	OMIT	USE	OMIT	OMIT	USE	USE	USE	OMIT	OMIT	USE	USE	OMIT	USE	OMIT	OMIT	USE	USE	OMIT	OMIT	USE	USE
-02	X	X	X								USE	OMIT	USE	OMIT	OMIT	USE	USE	OMIT	USE	OMIT	USE	USE	OMIT	USE	OMIT	OMIT	USE	USE	OMIT	OMIT	USE	USE
-03	X			X							OMIT	OMIT	OMIT	OMIT	OMIT	USE	USE	OMIT	USE	OMIT	USE	USE	OMIT	USE	OMIT	OMIT	USE	USE	OMIT	OMIT	USE	USE
-04	X	X		X				X			OMIT	OMIT	OMIT	OMIT	OMIT	USE	USE	OMIT	USE	OMIT	USE	USE	OMIT	USE	OMIT	OMIT	USE	USE	OMIT	OMIT	USE	USE
-05	X		X		X						USE	USE	USE	OMIT	USE	USE	USE	OMIT	USE	OMIT	USE	USE	OMIT	USE	OMIT	OMIT	USE	USE	OMIT	OMIT	USE	USE
-06	X	X	X		X						OMIT	USE	OMIT	OMIT	USE	USE	USE	OMIT	USE	OMIT	USE	USE	OMIT	USE	OMIT	OMIT	USE	USE	OMIT	OMIT	USE	USE
-07	X			X		X					OMIT	USE	OMIT	OMIT	USE	USE	USE	OMIT	USE	OMIT	USE	USE	OMIT	USE	OMIT	OMIT	USE	USE	OMIT	OMIT	USE	USE
-08	X	X		X		X		X			OMIT	USE	OMIT	OMIT	USE	USE	USE	OMIT	USE	OMIT	USE	USE	OMIT	USE	OMIT	OMIT	USE	USE	OMIT	OMIT	USE	USE
-09	X										USE	OMIT	USE	OMIT	OMIT	USE	USE	OMIT	OMIT	OMIT	USE	USE	OMIT	USE	OMIT	OMIT	USE	USE	OMIT	OMIT	USE	USE
-10	X	X	X					X	X		USE	OMIT	USE	OMIT	OMIT	USE	USE	OMIT	OMIT	OMIT	USE	USE	OMIT	USE	OMIT	OMIT	USE	USE	OMIT	OMIT	USE	USE
-1	X	X	X					X	X		USE	OMIT	USE	OMIT	OMIT	USE	USE	OMIT	OMIT	OMIT	USE	USE	OMIT	USE	OMIT	OMIT	USE	USE	OMIT	OMIT	USE	USE
-2	X	X	X					X	X		USE	OMIT	USE	OMIT	OMIT	USE	USE	OMIT	OMIT	OMIT	USE	USE	OMIT	USE	OMIT	OMIT	USE	USE	OMIT	OMIT	USE	USE
-3	X	X	X		X			X	X		OMIT	OMIT	OMIT	OMIT	OMIT	USE	USE	OMIT	OMIT	OMIT	USE	USE	OMIT	USE	OMIT	OMIT	USE	USE	OMIT	OMIT	USE	USE
-34	X	X	X		X			X	X		OMIT	OMIT	OMIT	OMIT	OMIT	USE	USE	OMIT	OMIT	OMIT	USE	USE	OMIT	USE	OMIT	OMIT	USE	USE	OMIT	OMIT	USE	USE
-35	X	X	X		X			X	X		USE	USE	USE	OMIT	USE	USE	USE	OMIT	OMIT	OMIT	USE	USE	OMIT	USE	OMIT	OMIT	USE	USE	OMIT	OMIT	USE	USE
-36	X	X	X		X			X	X		USE	USE	USE	OMIT	USE	USE	USE	OMIT	OMIT	OMIT	USE	USE	OMIT	USE	OMIT	OMIT	USE	USE	OMIT	OMIT	USE	USE
-37	X	X	X		X			X	X		OMIT	USE	OMIT	OMIT	USE	USE	USE	OMIT	OMIT	OMIT	USE	USE	OMIT	USE	OMIT	OMIT	USE	USE	OMIT	OMIT	USE	USE
-38	X	X	X		X			X	X		OMIT	USE	OMIT	OMIT	USE	USE	USE	OMIT	OMIT	OMIT	USE	USE	OMIT	USE	OMIT	OMIT	USE	USE	OMIT	OMIT	USE	USE
-39	X	X	X		X			X	X		USE	OMIT	USE	OMIT	OMIT	USE	USE	OMIT	OMIT	OMIT	USE	USE	OMIT	USE	OMIT	OMIT	USE	USE	OMIT	OMIT	USE	USE
-40	X	X	X			X		X	X		OMIT	OMIT	USE	OMIT	OMIT	USE	USE	OMIT	OMIT	OMIT	USE	USE	OMIT	USE	OMIT	OMIT	USE	USE	OMIT	OMIT	USE	USE

TABLE II ⑥

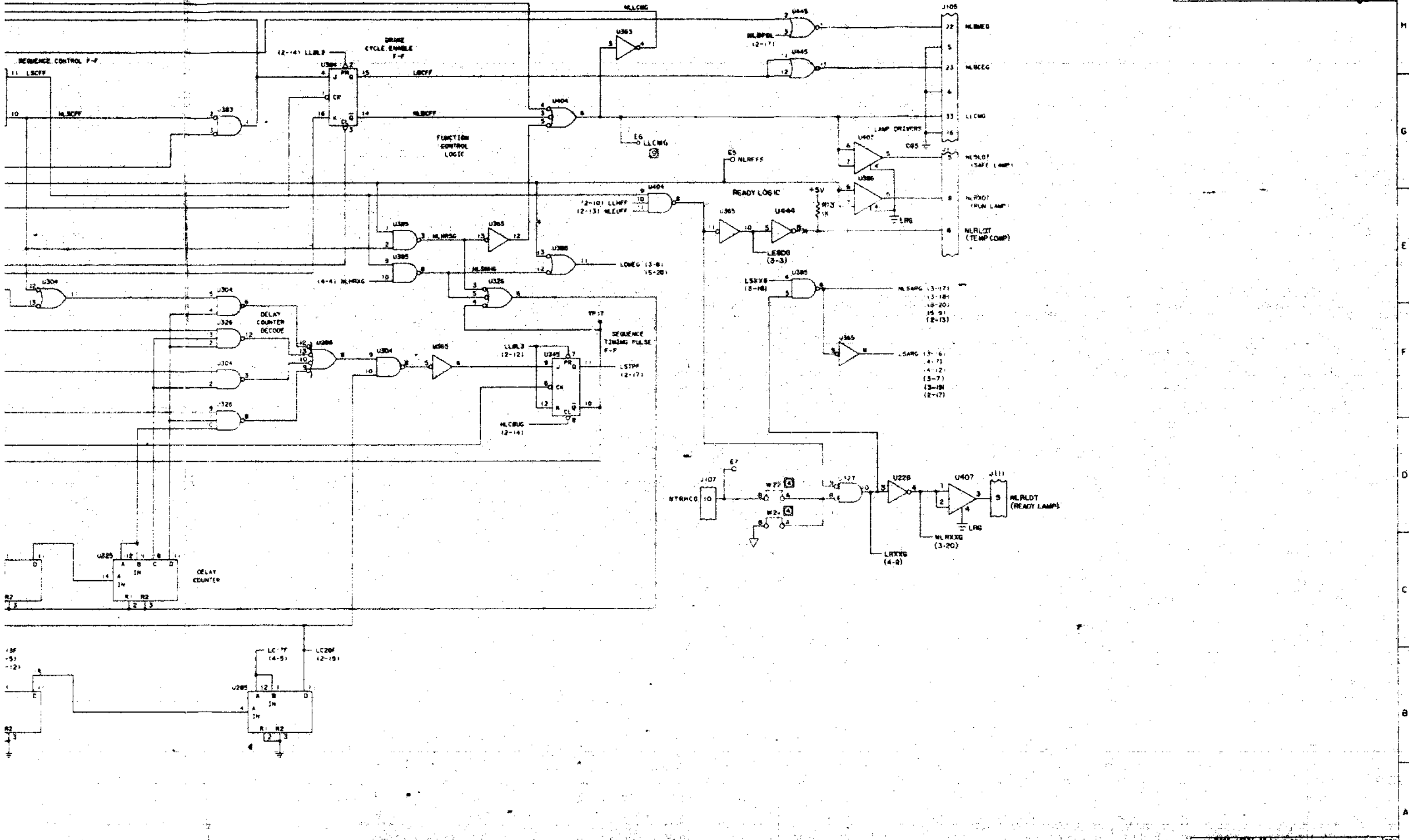
ASSY VERSION NUMBER	W23	W24	W25	W26
	P/N 100-0005	P/N 100-0005	P/N 100-0005	P/N 100-0005
-01	USE	OMIT	USE	OMIT
-02				
-03				
-04				
-05				
-06				
-07				
-08				
-09	USE	OMIT	USE	OMIT
-10	OMIT	OMIT	OMIT	OMIT
-1	OMIT	USE	OMIT	USE
-2				
-3				
-34				
-35				
-36				
-37				
-38				
-39	OMIT	USE	OMIT	USE
-40	OMIT	USE	OMIT	USE







REVIEWS		DATE	BY	CHK	APPD
REQ	DESCRIPTION				
SEE SHEET 1					



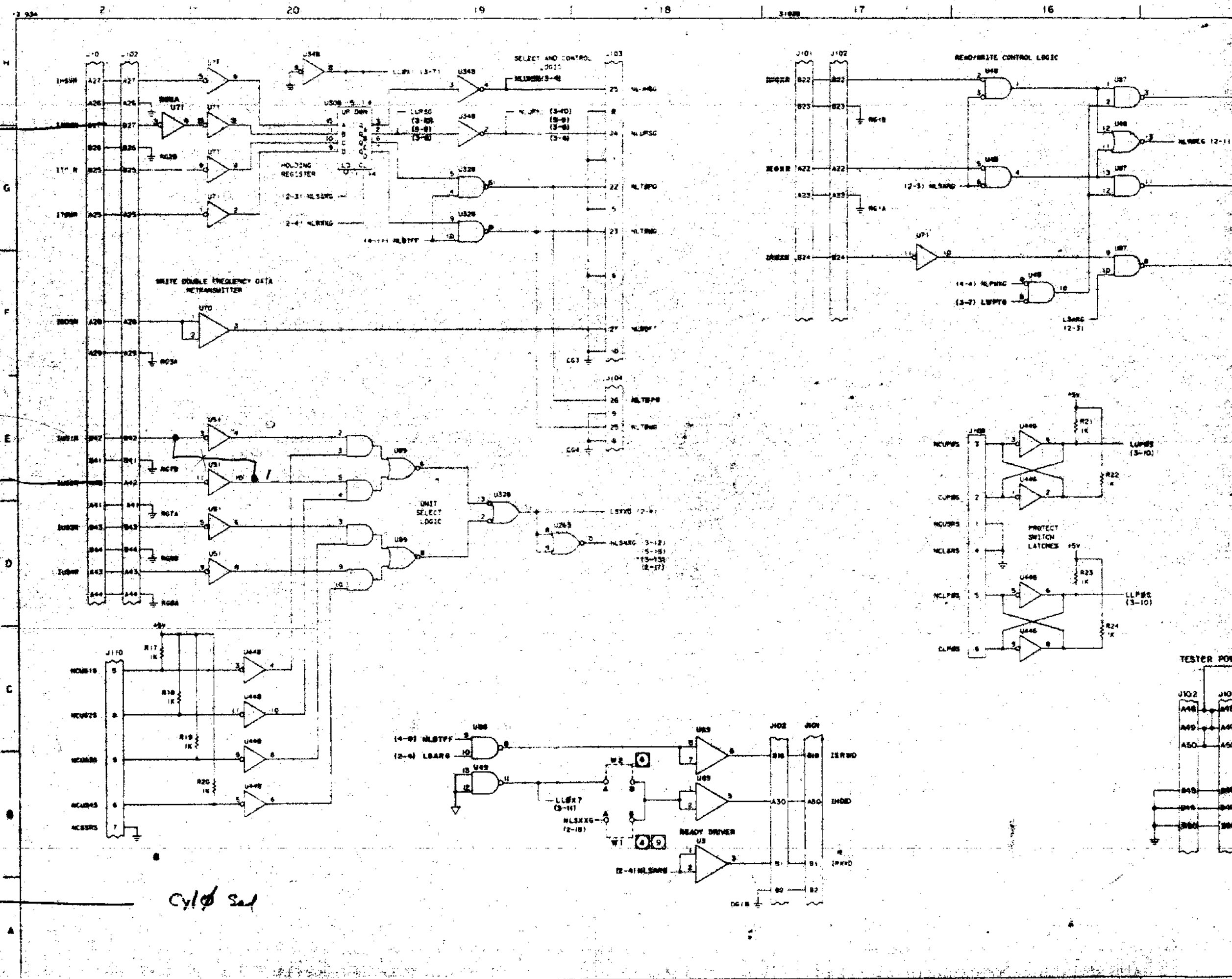


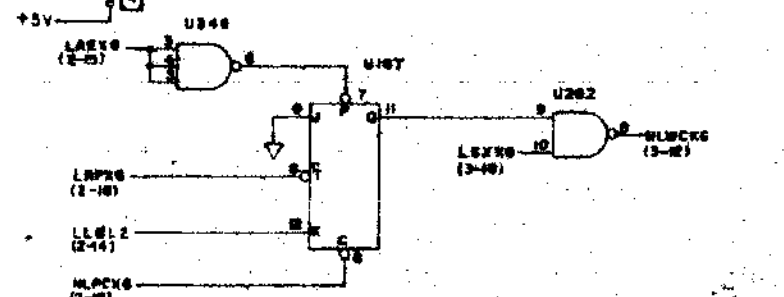
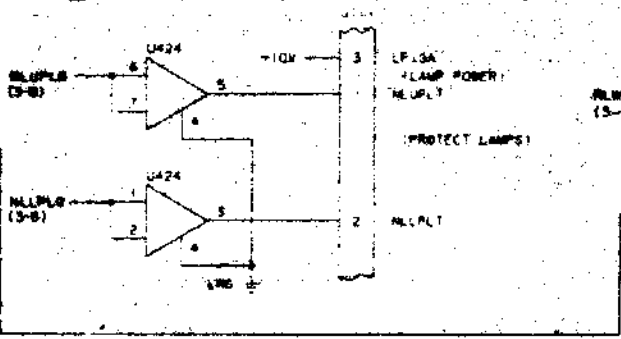
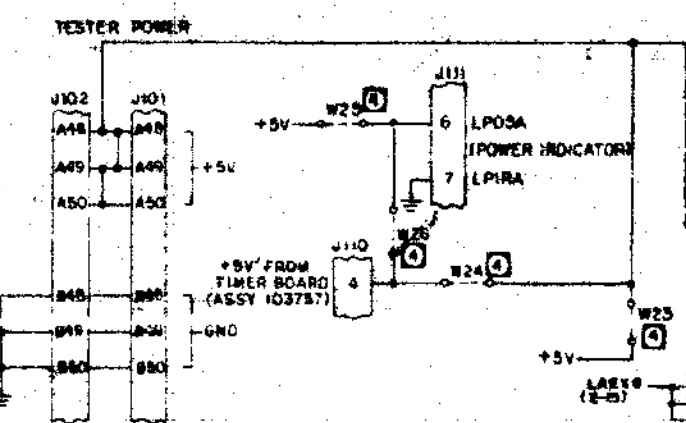
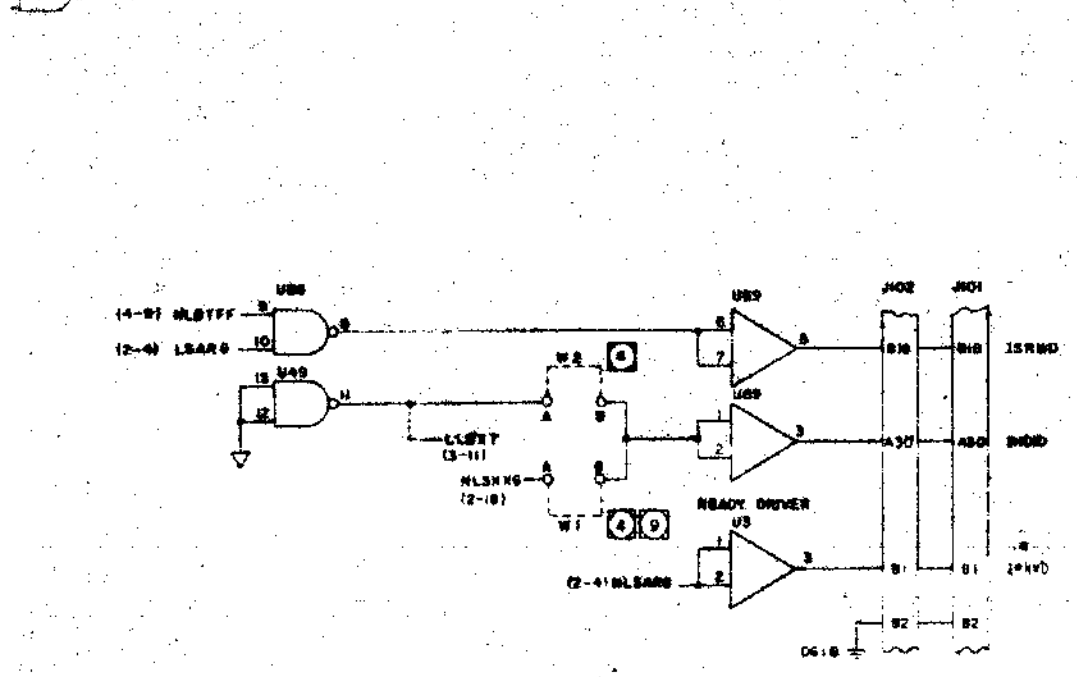
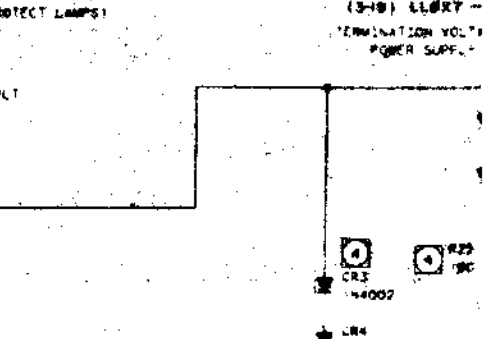
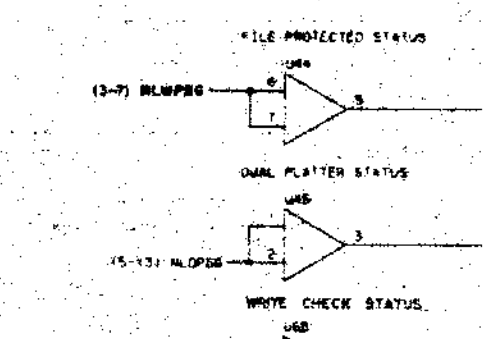
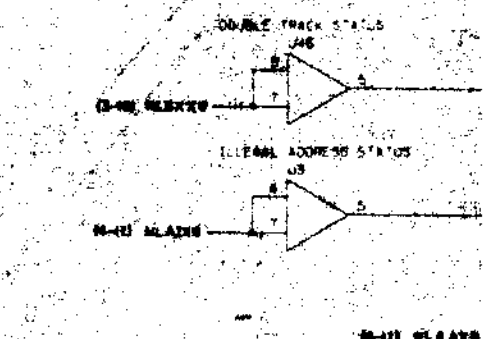
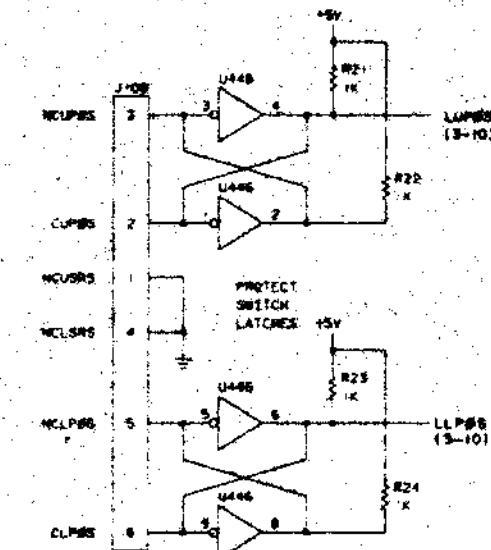
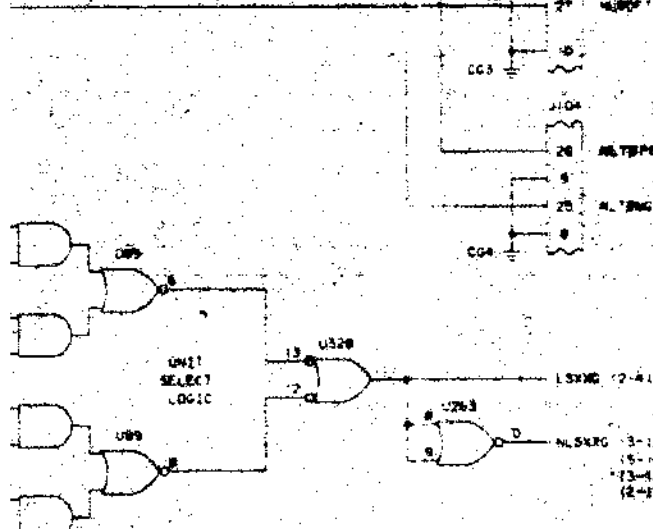
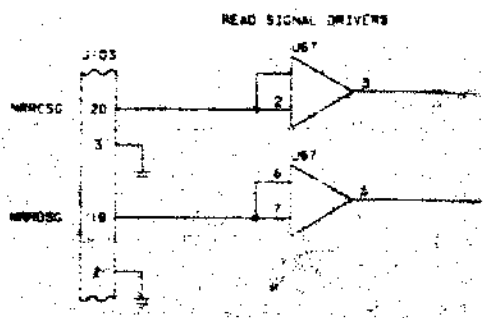
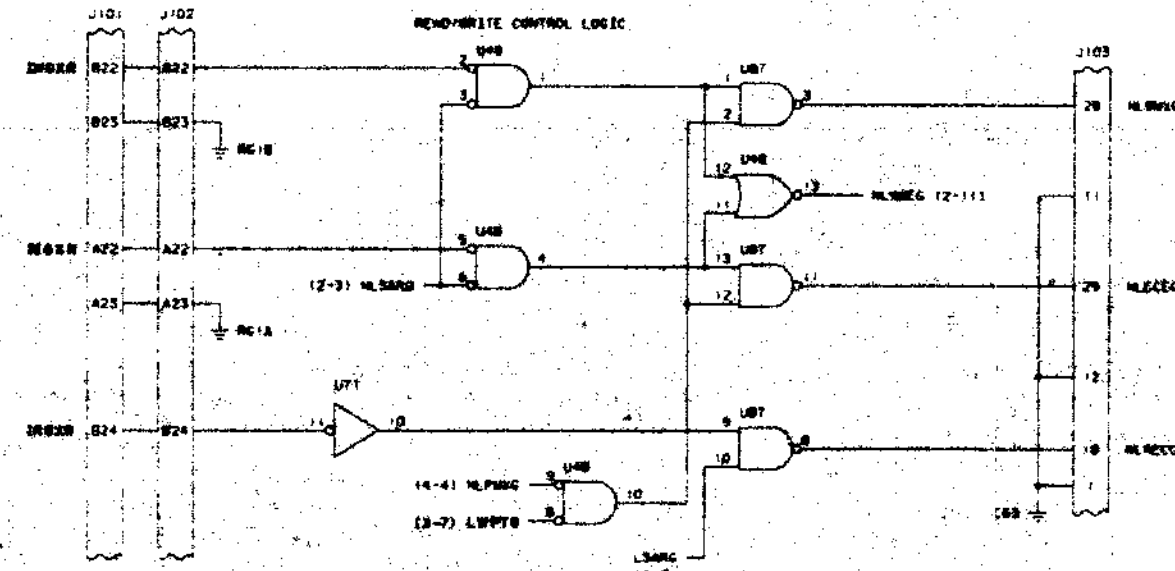
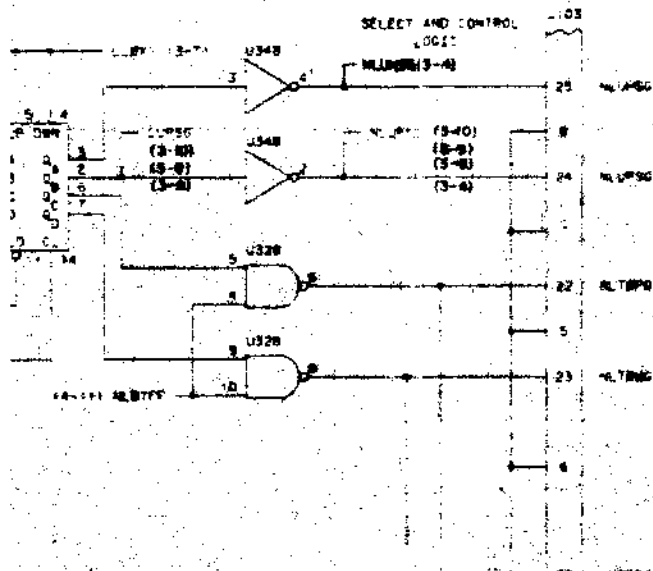
Unit Sel bit

Unit Sel 2 bit

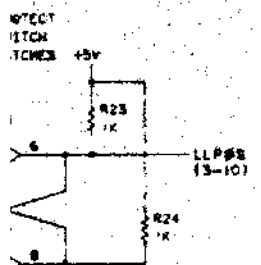
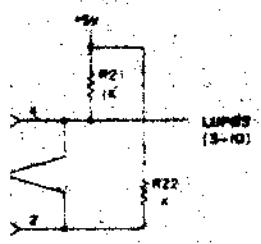
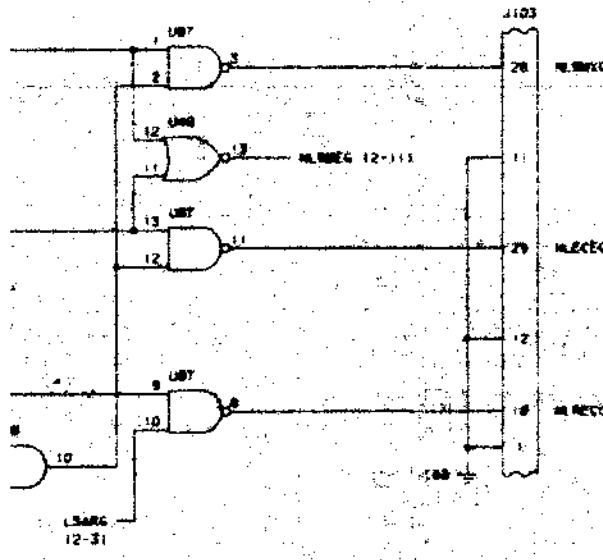
Unit Sel 6 bit

Cycle Sel

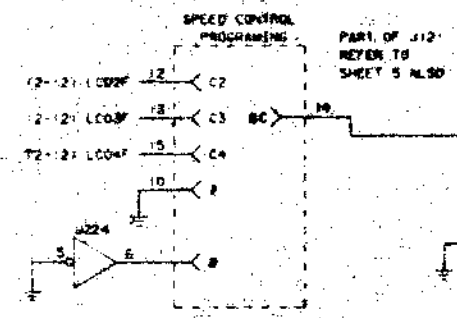
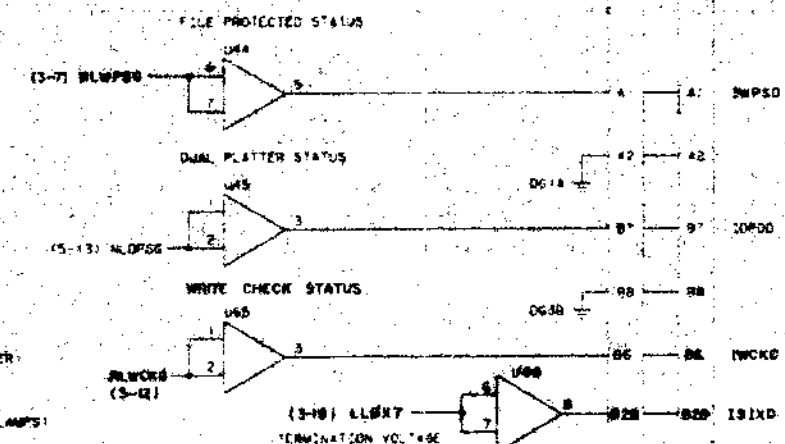
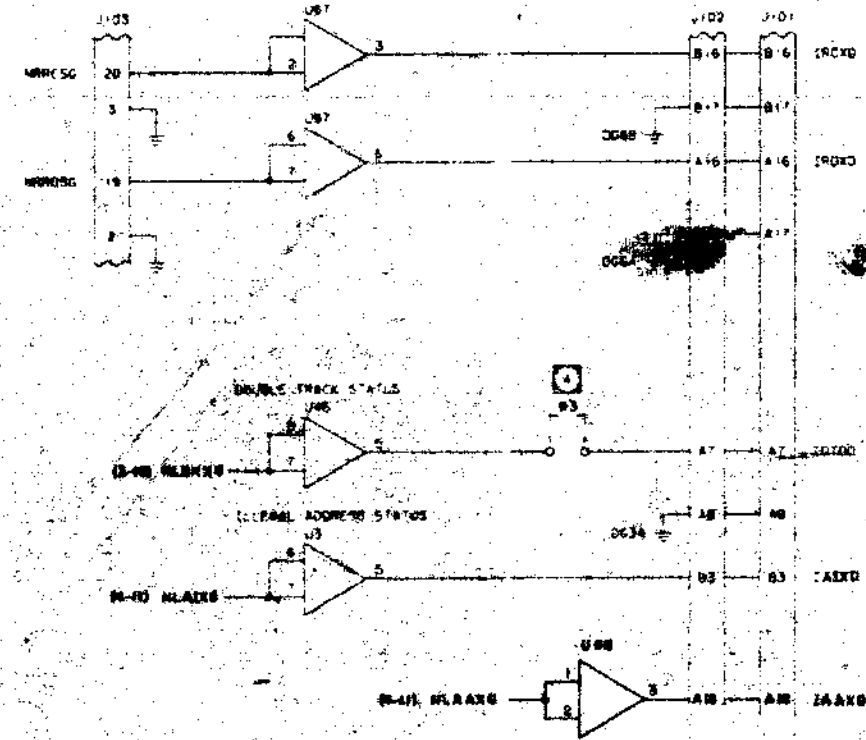




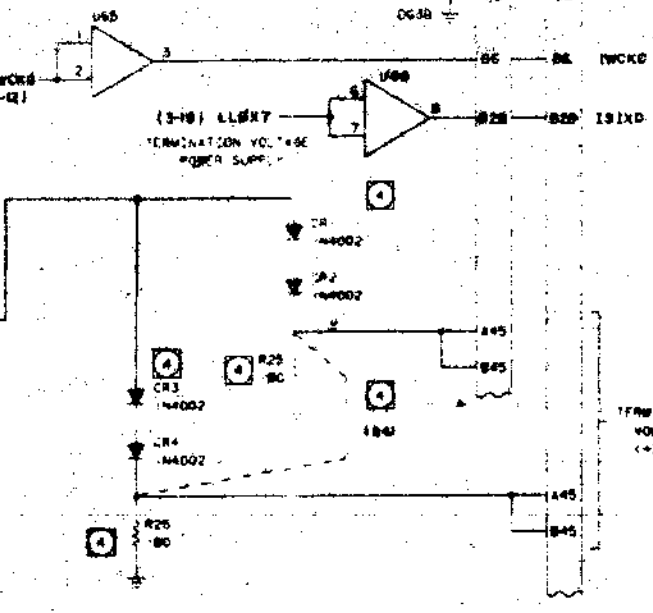
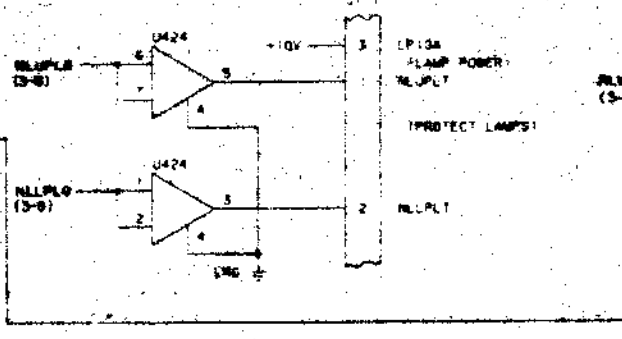
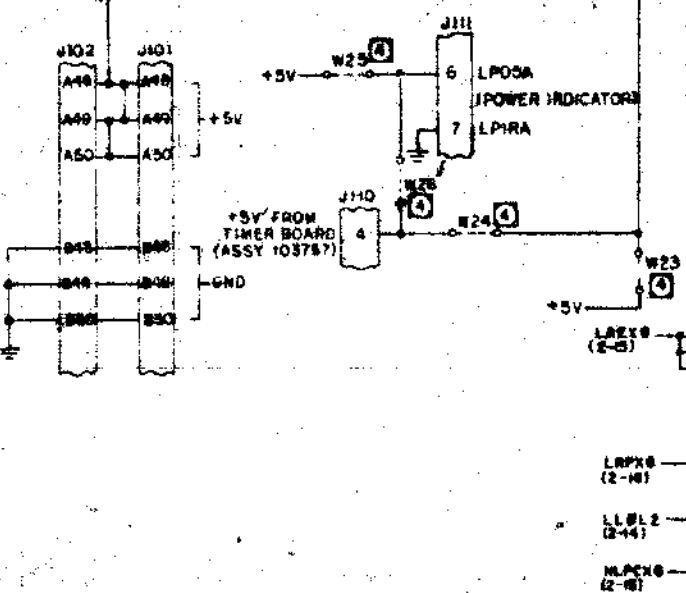
LOGIC



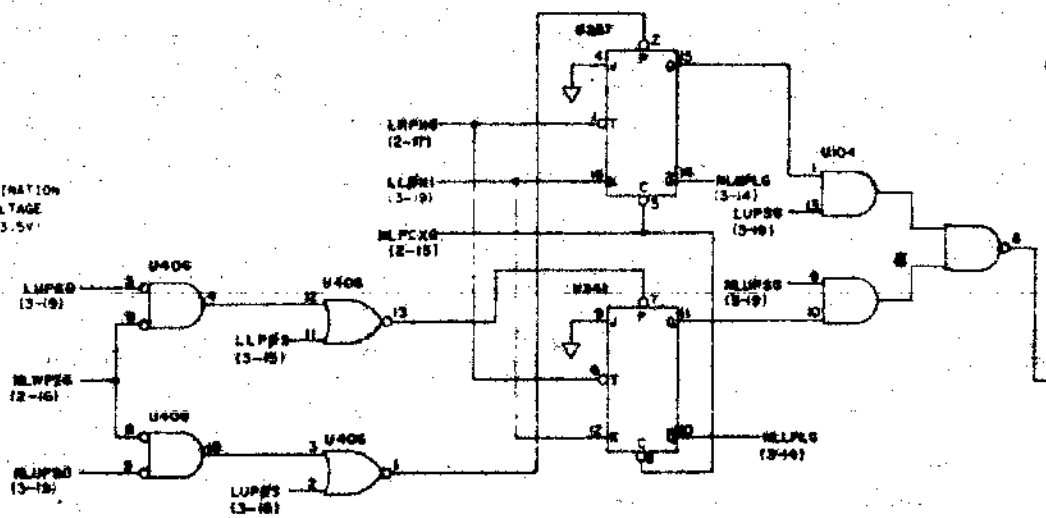
READ SIGNAL DRIVERS



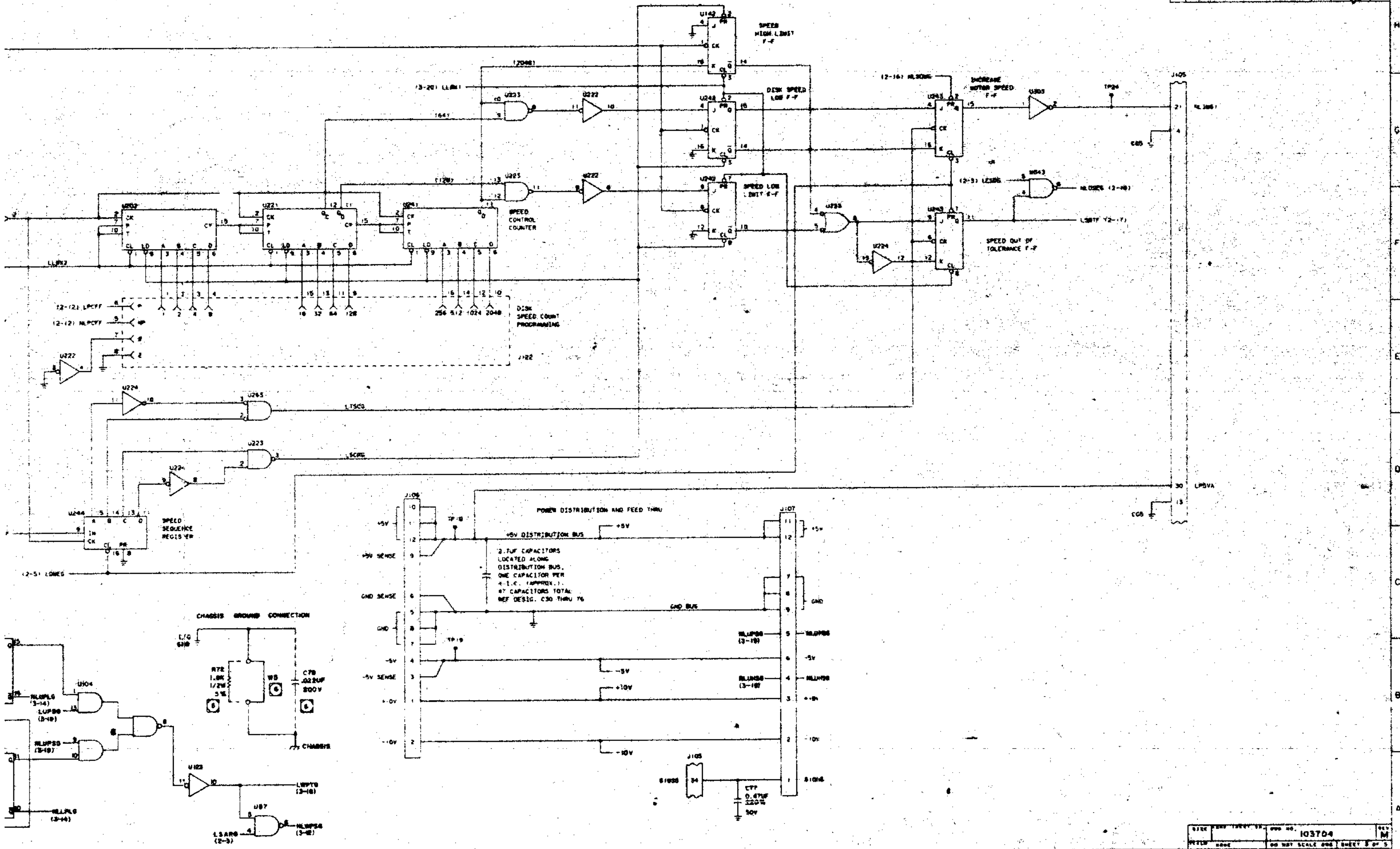
TESTER POWER

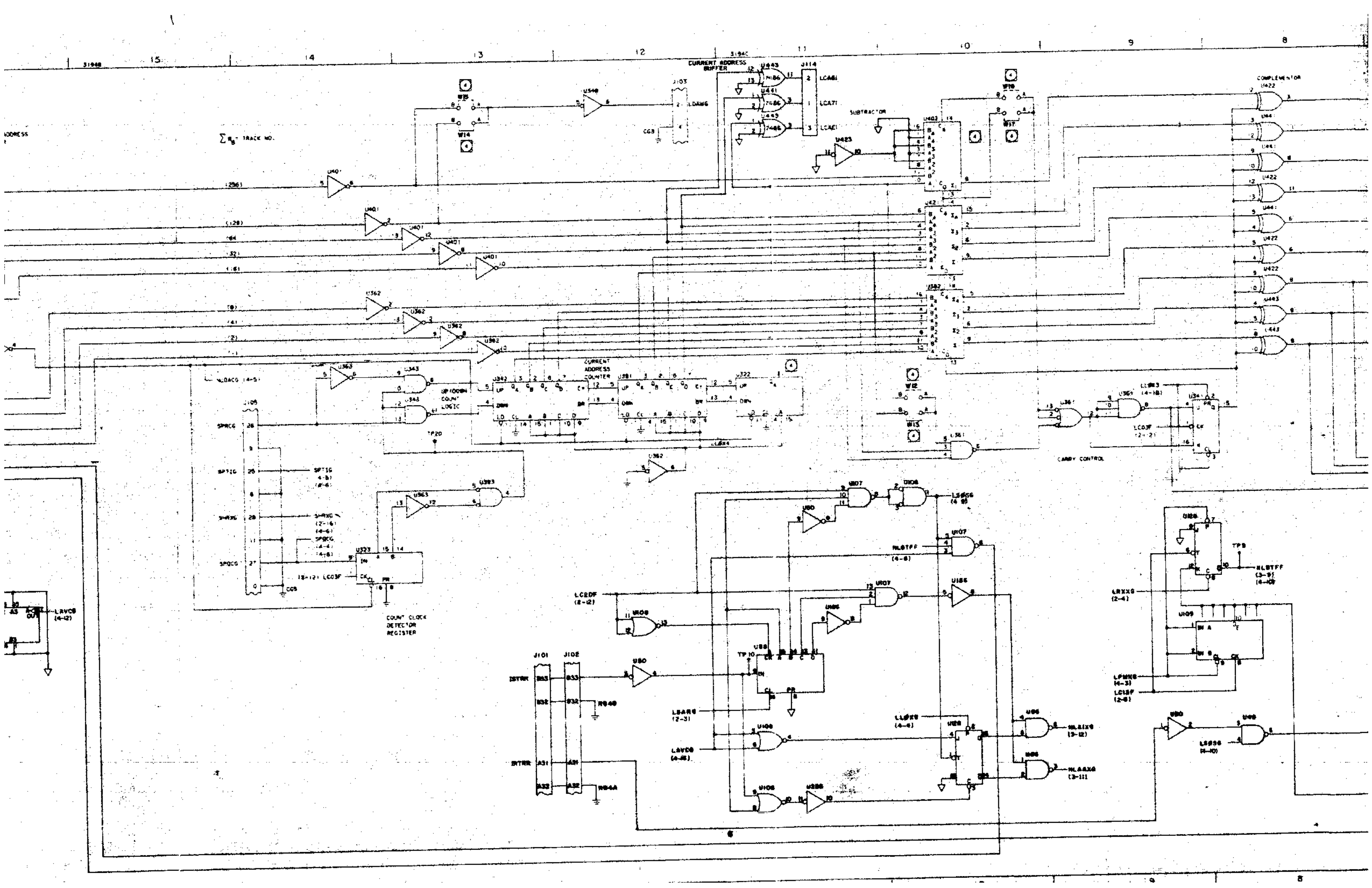


WRITE PROTECT LOGIC

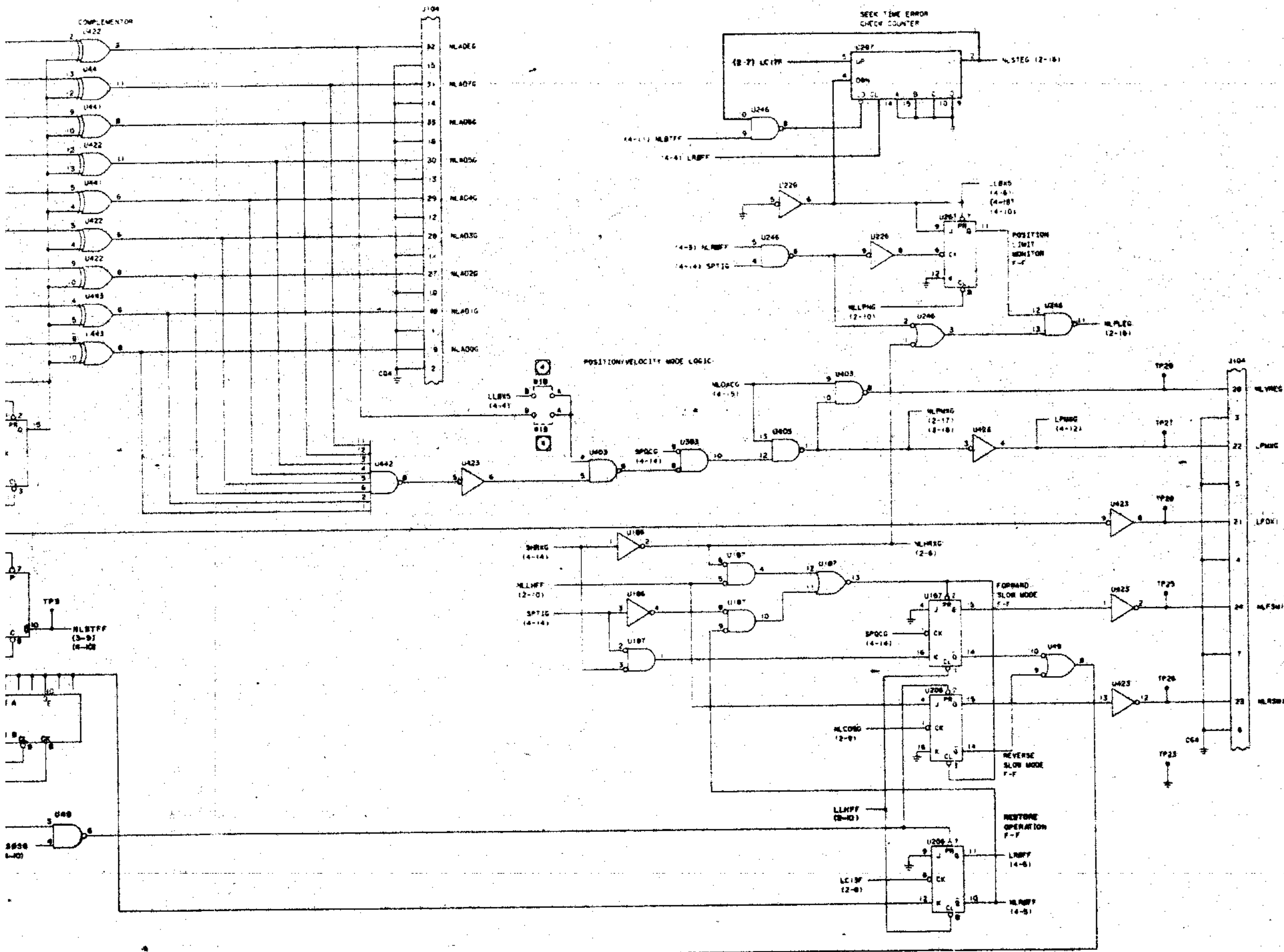


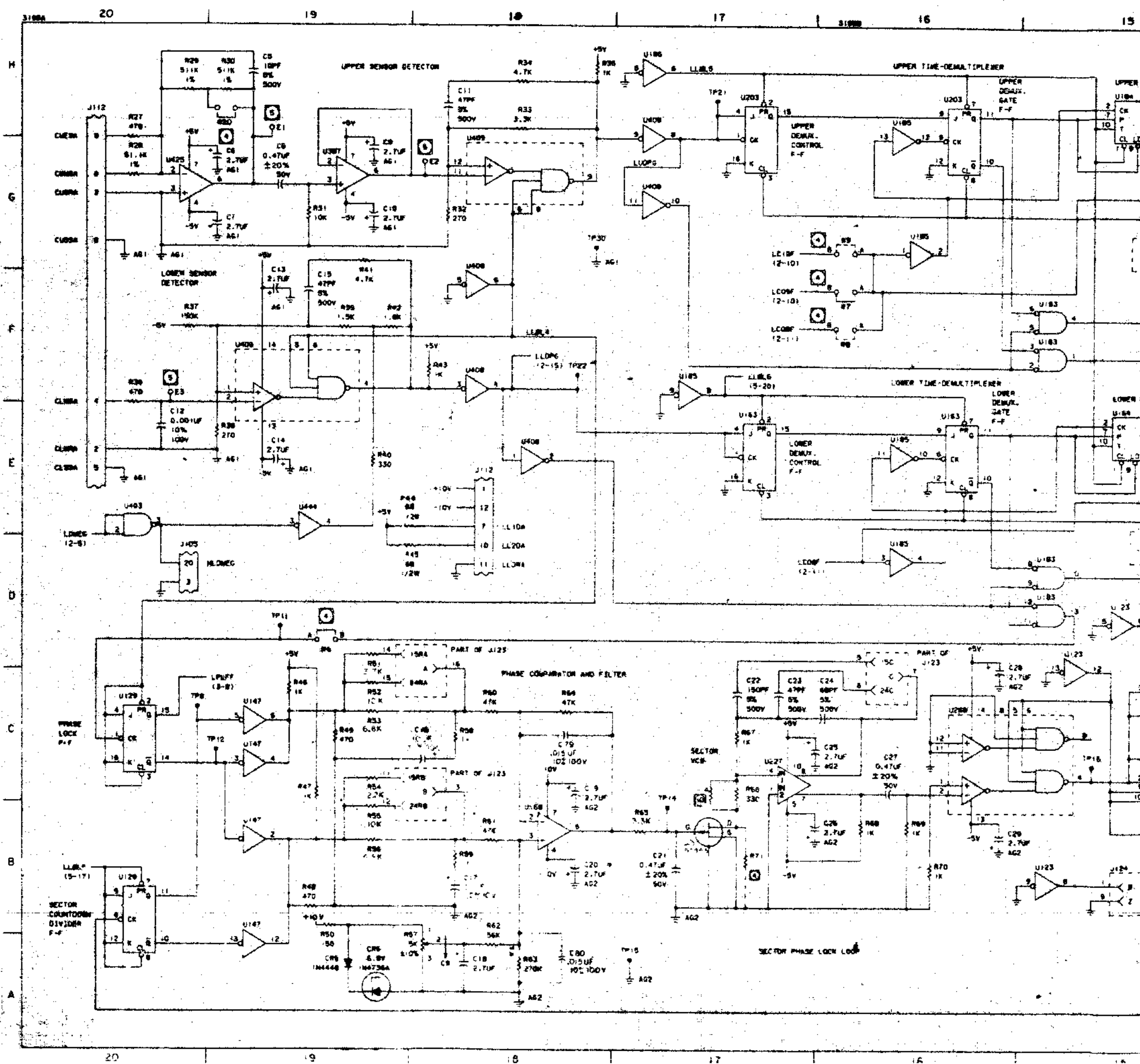
REVISIONS				
REV	DESCRIPTION	DATE	BY	CHK APPR
1	REL SHEET 1			

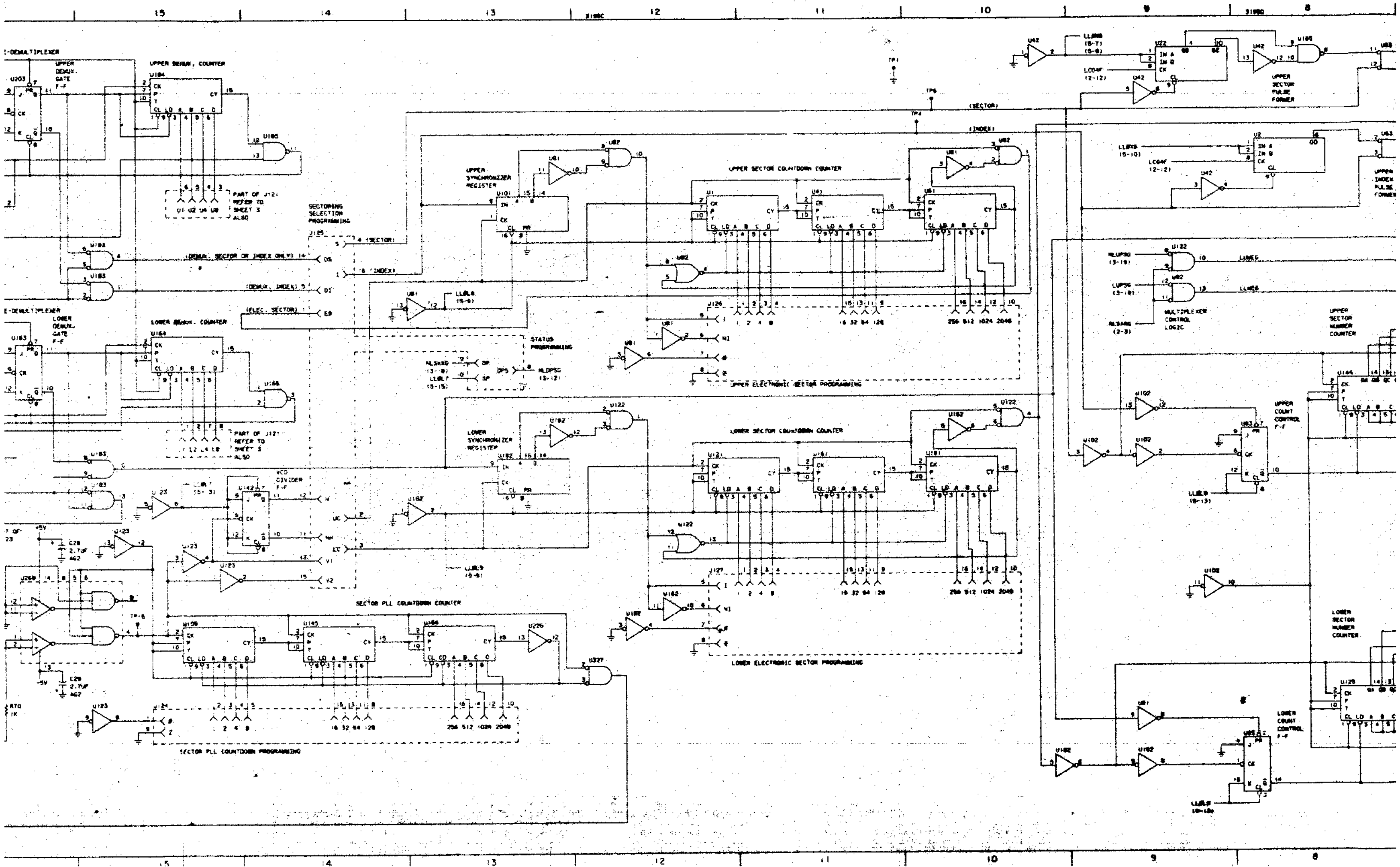




REVISIONS			
REV	DESCRIPTION	DATE	BY
1	SEE SHEET 1		

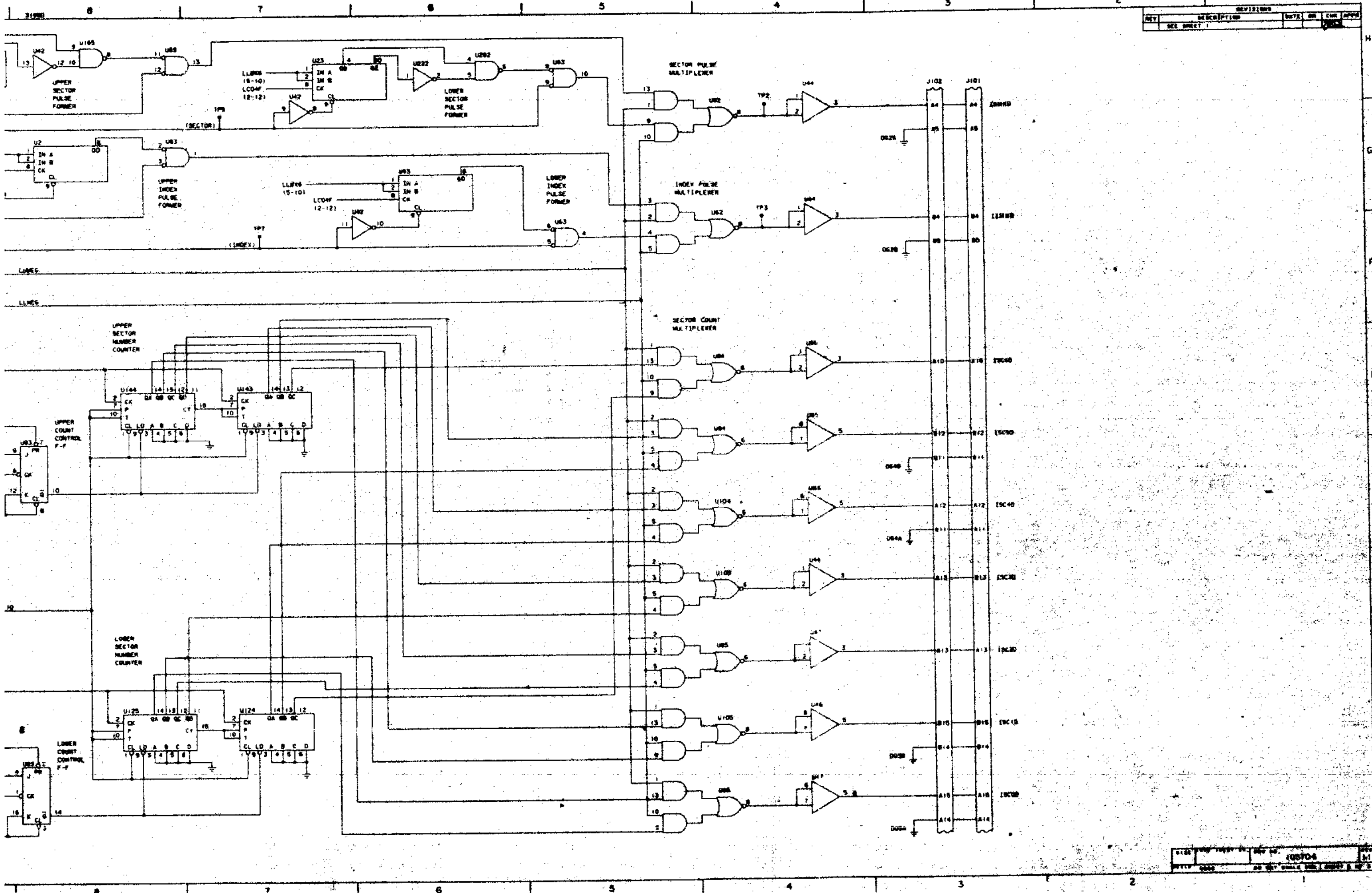


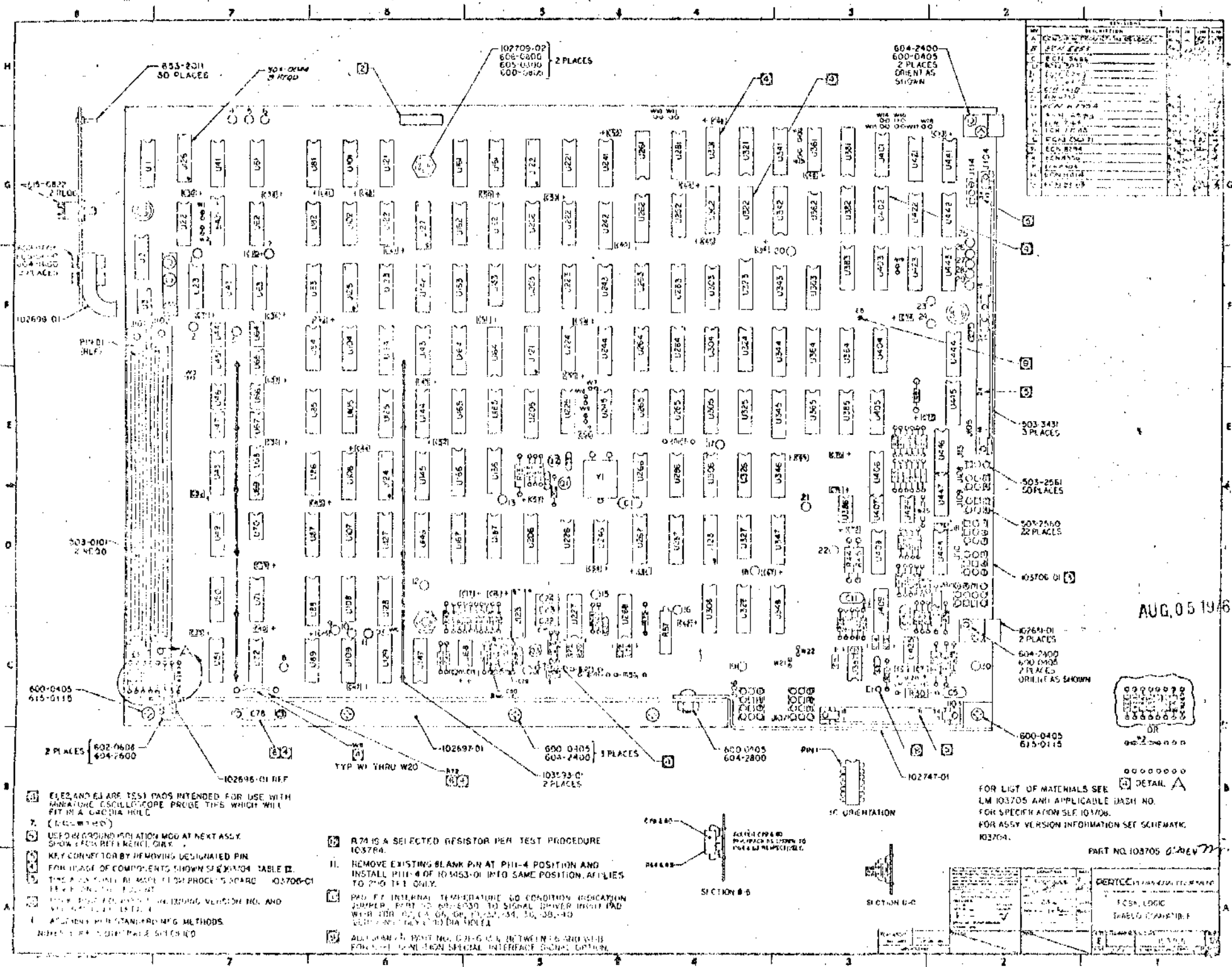






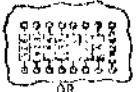
REV	DESCRIPTION	DATE	BY	CHK	APPV
1	REVISED				
2	SEE SHEET 1				





NO.	DESCRIPTION	QTY
1	102705-02	2
2	604-2400	2
3	600-0405	2
4	604-2800	3
5	602-0608	2
6	604-2600	2
7	103705-01	2
8	600-0405	2
9	615-0115	2
10	602-0608	2
11	604-2600	2
12	604-2400	2
13	600-0405	2
14	615-0115	2
15	602-0608	2
16	604-2600	2
17	604-2400	2
18	600-0405	2
19	615-0115	2
20	602-0608	2
21	604-2600	2
22	604-2400	2
23	600-0405	2
24	615-0115	2
25	602-0608	2
26	604-2600	2
27	604-2400	2
28	600-0405	2
29	615-0115	2
30	602-0608	2
31	604-2600	2
32	604-2400	2
33	600-0405	2
34	615-0115	2
35	602-0608	2
36	604-2600	2
37	604-2400	2
38	600-0405	2
39	615-0115	2
40	602-0608	2
41	604-2600	2
42	604-2400	2
43	600-0405	2
44	615-0115	2
45	602-0608	2
46	604-2600	2
47	604-2400	2
48	600-0405	2
49	615-0115	2
50	602-0608	2
51	604-2600	2
52	604-2400	2
53	600-0405	2
54	615-0115	2
55	602-0608	2
56	604-2600	2
57	604-2400	2
58	600-0405	2
59	615-0115	2
60	602-0608	2
61	604-2600	2

AUG. 05 1966



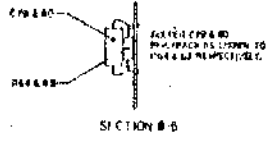
00000000  
 DETAIL A

FOR LIST OF MATERIALS SEE  
 LM 103705 AND APPLICABLE BASH NO.  
 FOR SPECIFICATION SEE 103706.  
 FOR ASSY VERSION INFORMATION SEE SCHEMATIC  
 103704.

PART NO. 103705-01 REV 77

- 1. E1E2 AND E1 ARE TEST PADS INTENDED FOR USE WITH MANUFACTURE ESCALLOPE PROBE THIS WHICH WILL FIT IN A CIRCULAR HOLE
- 2. (SEE WIRE)
- 3. USE FOR GROUND ISOLATION MOD AT NEXT ASSY. SHOW FOR REFERENCE ONLY.
- 4. KEY CONNECTOR BY REMOVING DESIGNATED PIN FOR USAGE OF COMPONENTS SHOWN IN COLUMN 4 TABLE 2.
- 5. THIS PAD SHALL BE KEPT FROM PROTECTIVE COATING - 103706-01
- 6. THIS PAD IS FOR USE WITH THE FOLLOWING VERSION NO. AND WILL NOT BE COATED WITH COATING.
- 7. APPLICABLE PRINT STANDARDS AND METHODS REFER TO THE APPROPRIATE SPECIFICATIONS.

- 1. R74 IS A SELECTED RESISTOR PER TEST PROCEDURE 103764.
- 2. REMOVE EXISTING BLANK PIN AT PH1-4 POSITION AND INSTALL PH1-4 OF 103453-01 INTO SAME POSITION. APPLIES TO 710 111 ONLY.
- 3. PAD #7 INTERNAL TEMPERATURE GO CONDITION INDICATION JUMPER. POINT TO 600-0405 TO SIGNAL DRIVER INPUT PAD WITH 100 OHM (CA, GA, GR, BR, 10, 34, 36, 38, 40) VALUE. SEE DRAWING TO DIA HOLE.
- 4. ALL PH1-4 POINT NO. 021-6 IS IN BETWEEN 16 AND 18 FOR THE 103705-01 SPECIAL INTERFACE BOARD OPTION.



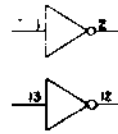
SECTION B-B



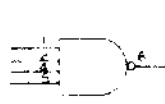
SECTION C-C

SPARE GATES

U448  
700-7404



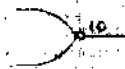
U405  
700-7413



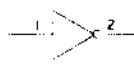
U46  
700-7400



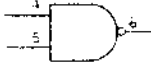
U445  
700-7402



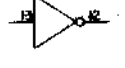
U226  
700-7404



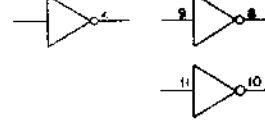
U165  
700-7400



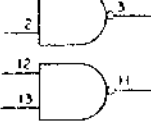
U408  
700-7404



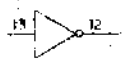
U444  
700-7405



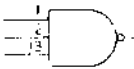
U282  
700-7411



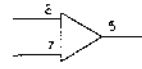
U222  
700-7404



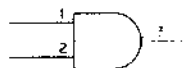
U344  
700-7410



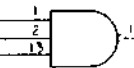
U70  
700-7545



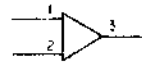
U328  
700-7400



U404  
700-7410



U386  
700-7545



ASSY VERSION NUMBER	TRACKS PER INCH		VERSION CHARACTERISTICS																						
	100	200	INTERNAL TERMINATION VOLTAGE POWER SUPPLY	TERMINATION VOLTAGE FEED-THRU	GROUND ISOLATION	SPECIAL INTERFACE SIGNAL OPTION FOR SAFE CONDITION INDICATION	READY SIGNAL GATED BY INTERNAL TEMP GO 200 TPI INTERNAL TEMP GO		③	CTB P/N 137-2230	⑨	RTI	472 P/N 101-1820	⑩	TA										
-01	X		X											OMIT					OMIT						USE
-02		X												OMIT					OMIT						USE
-03	X													OMIT					OMIT						USE
-04		X												OMIT					OMIT						USE
-05	X								X					USE					USE						USE
-06		X							X					USE					USE						USE
-07	X								X	X				USE					USE						USE
-08		X							X	X				USE					USE						USE
-09	X									X				OMIT					OMIT						USE

REFERENCE DESIGNATIONS

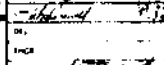
LAST USED	NOT USED	DELETED
C78	C6	
C86		CR1, CR2
Q3		
J128	J15 THRU J20	
R74	R16	R26
TP30		
U448	U4 THRU 21, 24 THRU 40, U52 THRU 60, 73 THRU 80, U90 THRU 100, 103, 110 THRU 120, U126, 130 THRU 141, 148 THRU 160, U169 THRU 180, 188 THRU 201, U204, 207 THRU 220, 228 THRU 240, U247 THRU 260, 269 THRU 280, U288 THRU 300, 307, 309 THRU 320, U329 THRU 340, 349 THRU 360, U366 THRU 380, 389 THRU 400, U440 THRU 420, 426 THRU 440	
W23	W2	
Y1		

REV.	DESCRIPTION	DATE	BY	CHKD.	APPD.
1	REV. 1.0				

W1	W3	W4	W6	W7	W9	W10	W11	W12	W13	W14	W16	W16	W17	W18	W21	W22	W20	W8	W5	W23	ASSY VERSION NUMBER	
	P/N 6914030	P/N 103596-01	P/N 100373-01							P/N 103596-01							P/N 100373-02	P/N 103596-01	P/N 100373-01	P/N 6914030	103726	
USE	OMIT	OMIT	OMIT	USE	USE	OMIT	USE	OMIT	OMIT	USE	OMIT	OMIT	OMIT	OMIT	OMIT	OMIT	OMIT	OMIT	OMIT	OMIT	OMIT	01
USE	OMIT	OMIT	OMIT	USE	USE	OMIT	USE	OMIT	OMIT	USE	OMIT	OMIT	OMIT	OMIT	OMIT	OMIT	OMIT	OMIT	OMIT	OMIT	OMIT	02
USE	OMIT	OMIT	OMIT	USE	USE	OMIT	USE	OMIT	OMIT	USE	OMIT	OMIT	OMIT	OMIT	OMIT	OMIT	OMIT	OMIT	OMIT	OMIT	OMIT	03
USE	OMIT	OMIT	OMIT	USE	USE	OMIT	USE	OMIT	OMIT	USE	OMIT	OMIT	OMIT	OMIT	OMIT	OMIT	OMIT	OMIT	OMIT	OMIT	OMIT	04
USE	OMIT	OMIT	OMIT	USE	USE	OMIT	USE	OMIT	OMIT	USE	OMIT	OMIT	OMIT	OMIT	OMIT	OMIT	OMIT	OMIT	OMIT	OMIT	OMIT	05
USE	OMIT	OMIT	OMIT	USE	USE	OMIT	USE	OMIT	OMIT	USE	OMIT	OMIT	OMIT	OMIT	OMIT	OMIT	OMIT	OMIT	OMIT	OMIT	OMIT	06
USE	OMIT	OMIT	OMIT	USE	USE	OMIT	USE	OMIT	OMIT	USE	OMIT	OMIT	OMIT	OMIT	OMIT	OMIT	OMIT	OMIT	OMIT	OMIT	OMIT	07
USE	OMIT	OMIT	OMIT	USE	USE	OMIT	USE	OMIT	OMIT	USE	OMIT	OMIT	OMIT	OMIT	OMIT	OMIT	OMIT	OMIT	OMIT	OMIT	OMIT	08
USE	OMIT	OMIT	OMIT	USE	USE	OMIT	USE	OMIT	OMIT	USE	OMIT	OMIT	OMIT	OMIT	OMIT	OMIT	OMIT	OMIT	OMIT	OMIT	OMIT	09

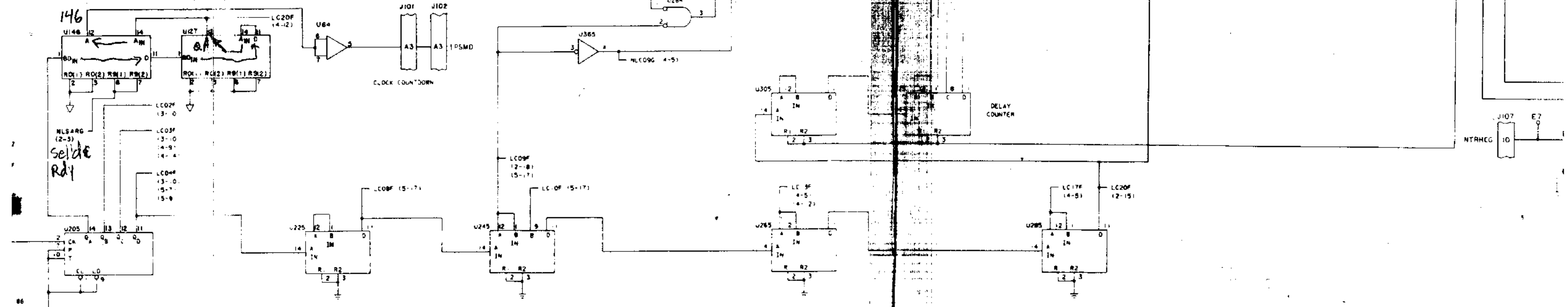
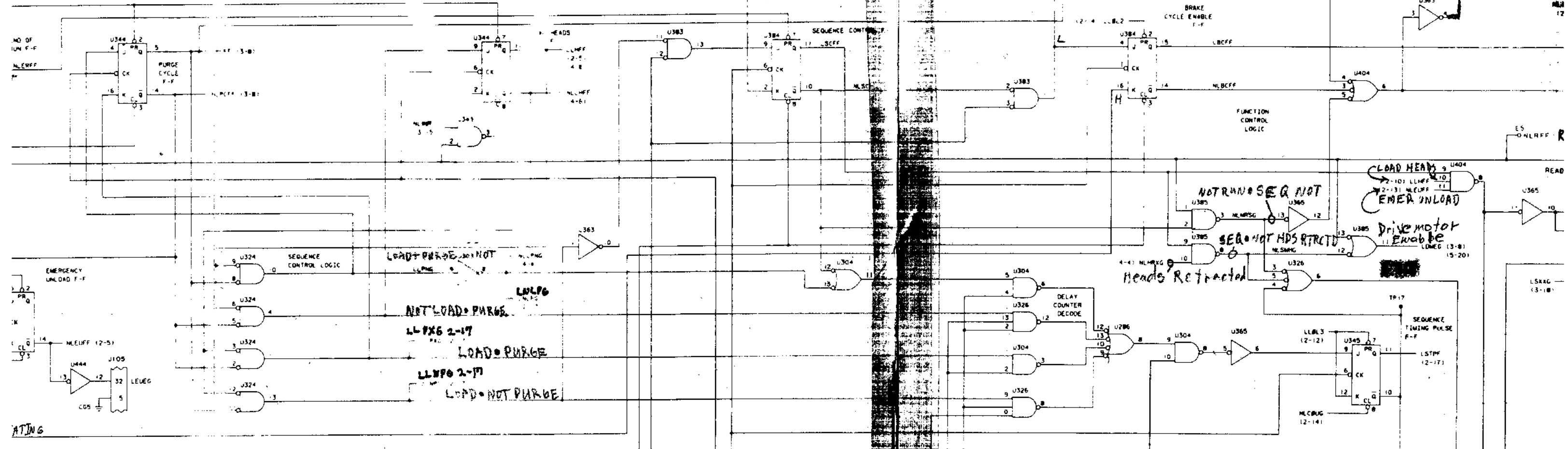
- 12 THIS SIGNAL IS JUMPERED TO W1-B (W1 JUMPER DELETED) FOR SPECIAL INTERFACE "SAFE" SIGNAL.
- 13 THIS SCHEMATIC IS IDENTICAL TO THE 103704 LOGIC SCHEMATIC EXCEPT WHERE INDICATED.
- 14 (DELETED)
- 15 ALL CAPACITOR VALUES ARE IN MICROFARADS, 20%, 50V.
- 16 R72 AND C78 ARE USED AND R5 OMITTED ONLY IN GROUND ISOLATION VERSIONS. SEE TABLE II FOR VERSION NUMBER. R5 MUST BE USED FOR ALL OTHER VERSIONS.
- 17 E, E2, AND E3 ARE TEST PADS INTENDED FOR USE WITH MINATURE OSCILLOSCOPE PROBE TIPS WHICH WILL FIT IN A .040 DIAMETER HOLE.
- 18 FOR PART NUMBER AND USAGE OF COMPONENTS AFFECTED BY VERSION NUMBER SEE TABLE II.
- 19 FOR PART NUMBER OF COMPONENTS NOT AFFECTED BY VERSION NUMBER SEE TABLE I.
- 20 ALL RESISTOR VALUES ARE IN OHMS, 5% TOL.
- 21 SIGNALS ARE CROSS-REFERENCED BETWEEN SHEETS AND WITHIN A SHEET BY NUMBERS APPEARING WITH THE ASSOCIATED LOGIC TERM MNEMONIC. THE FIRST NUMBER IS THE SHEET NUMBER AND THE SECOND NUMBER IS THE ZONE NUMBER. EXAMPLE: 3-23 SHEET 3 - ZONE 2

NOTES: UNLESS OTHERWISE SPECIFIED  
 REFERENCE DRAWINGS  
 ASSEMBLY 103726  
 SPECIFICATION 1037DB

PERTEC PERIPHERAL EQUIPMENT TITLE <b>SCHEMATIC-          LOGIC BOARD</b> INTERDATA COMPATIBLE	
SIGNATURE  DATE 10/1/75	SIZE J JOB SHEET NO. 103725 SCALE 1:1
MAIL ROOM 103725	DRAWING NO. 103725

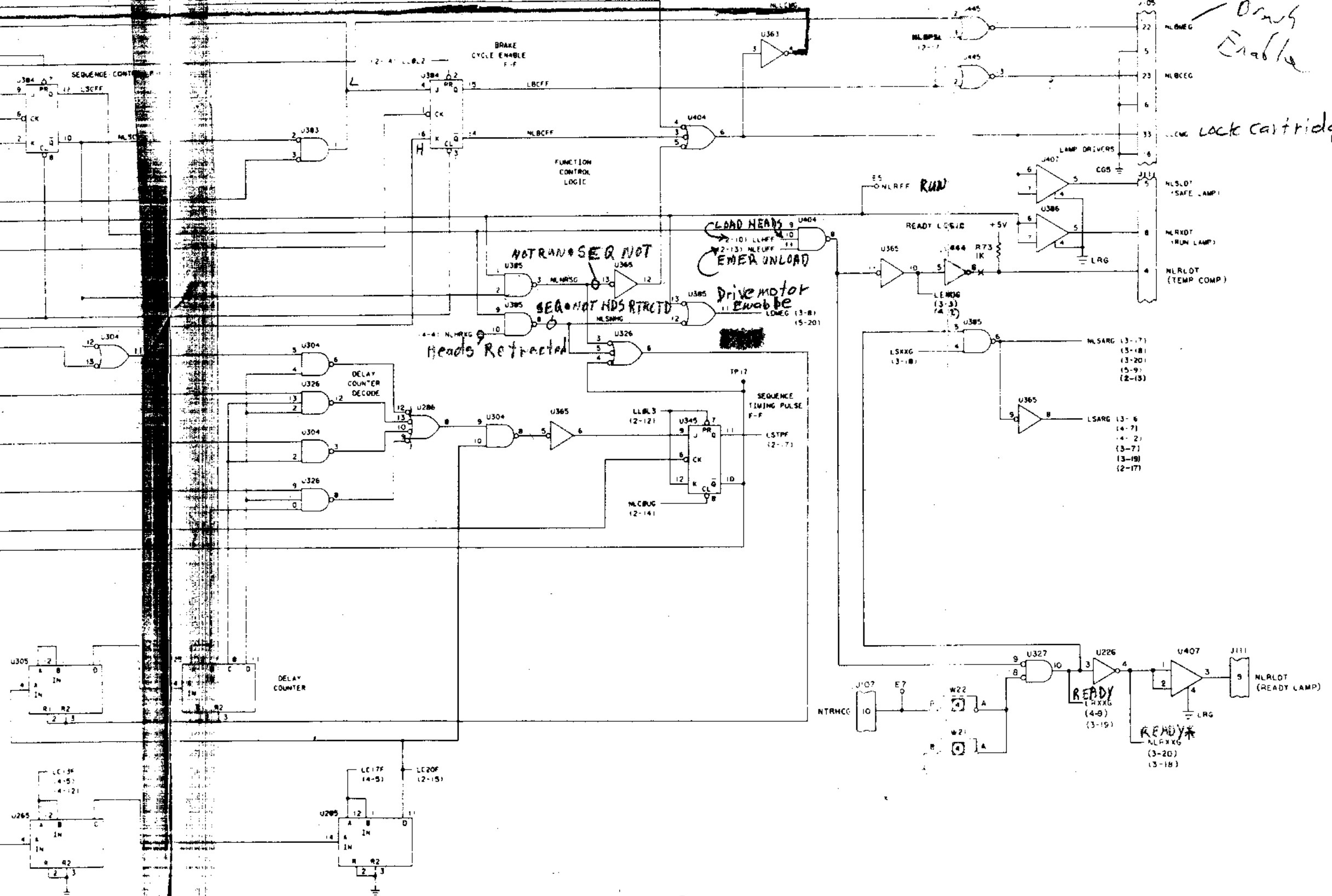


LOCK CARTRIDGE



# LOCK CARTRIDGE

REV.	DESCRIPTION	DATE	BY	CHK	APP
1	REVISED				



Only Enable

lock cartridge

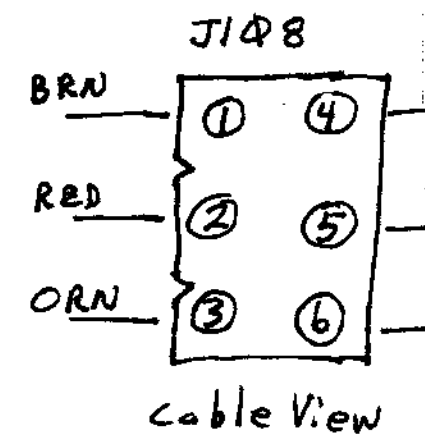
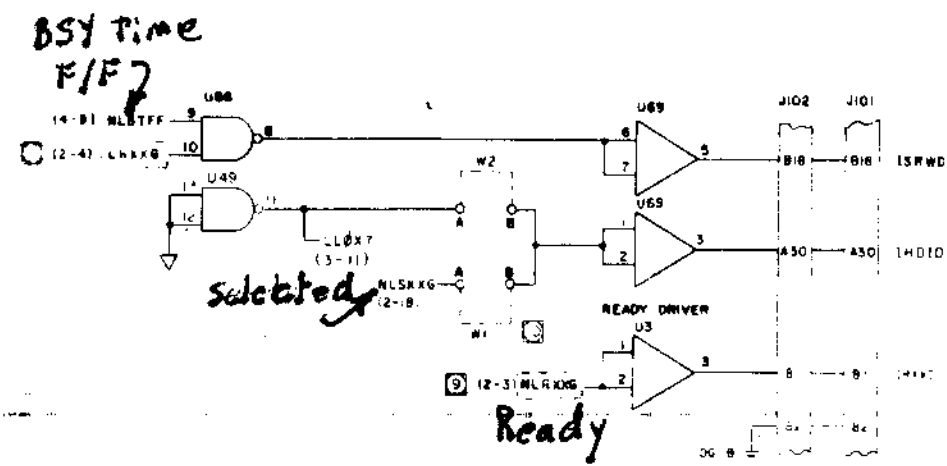
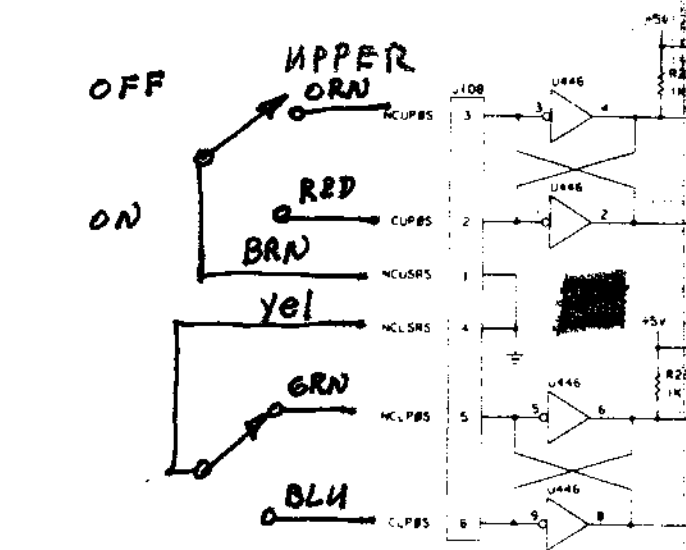
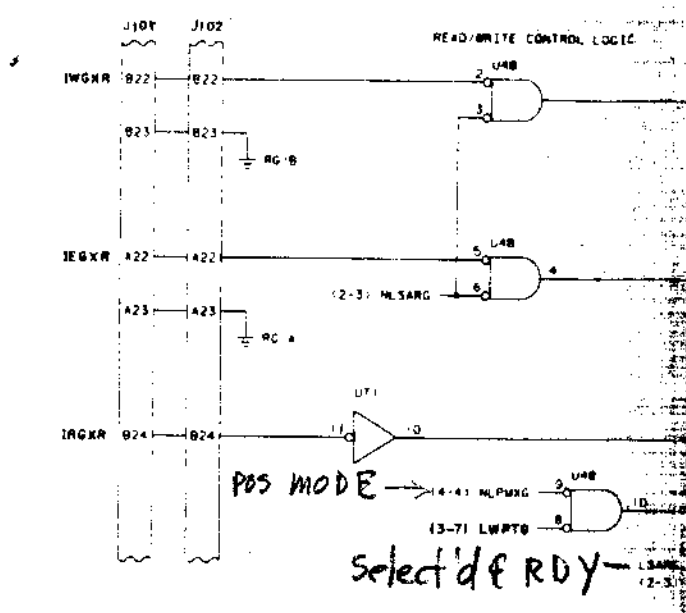
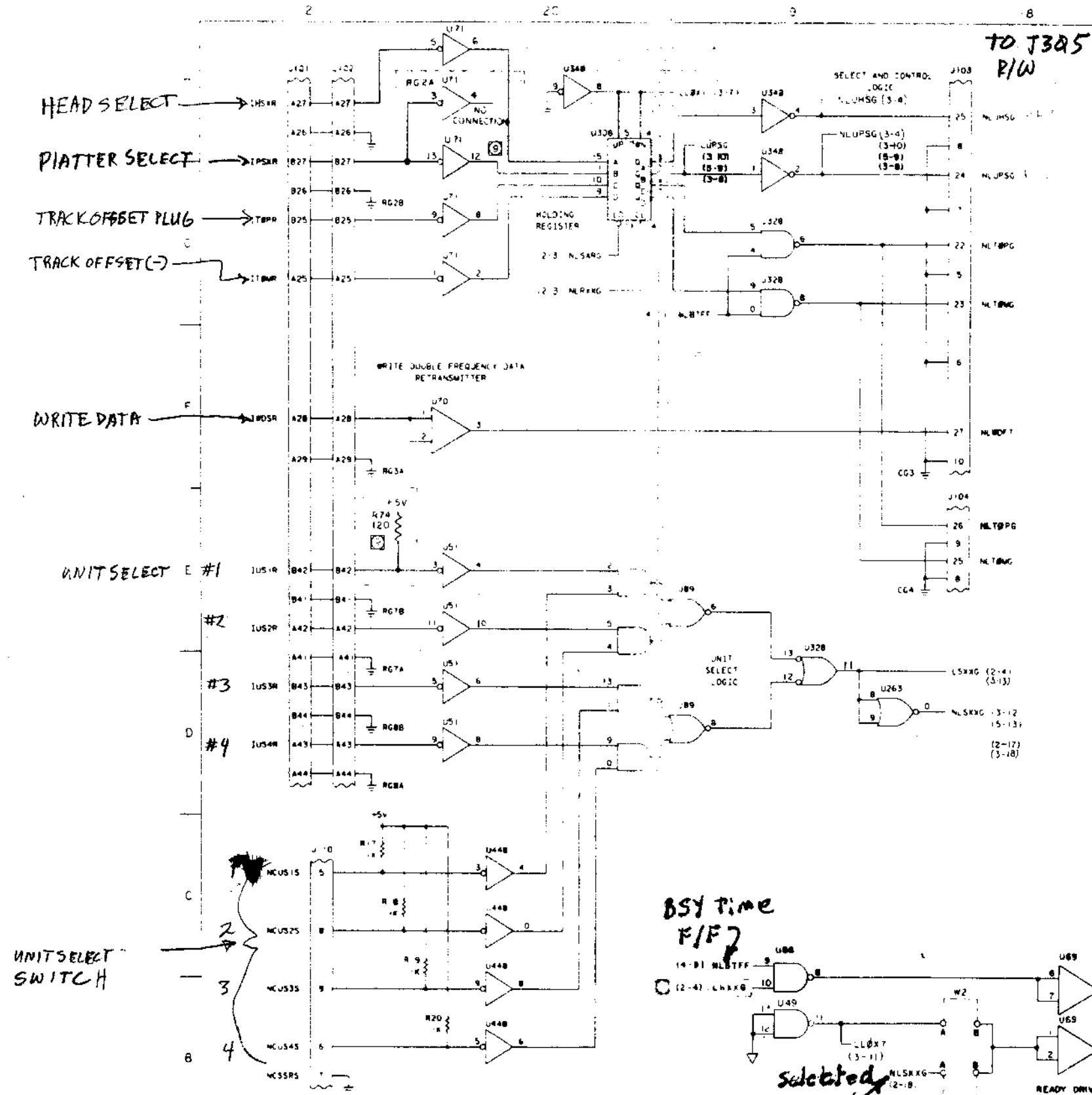
RUN

LOAD HEADS  
EMER UNLOAD  
Drive motor Enable

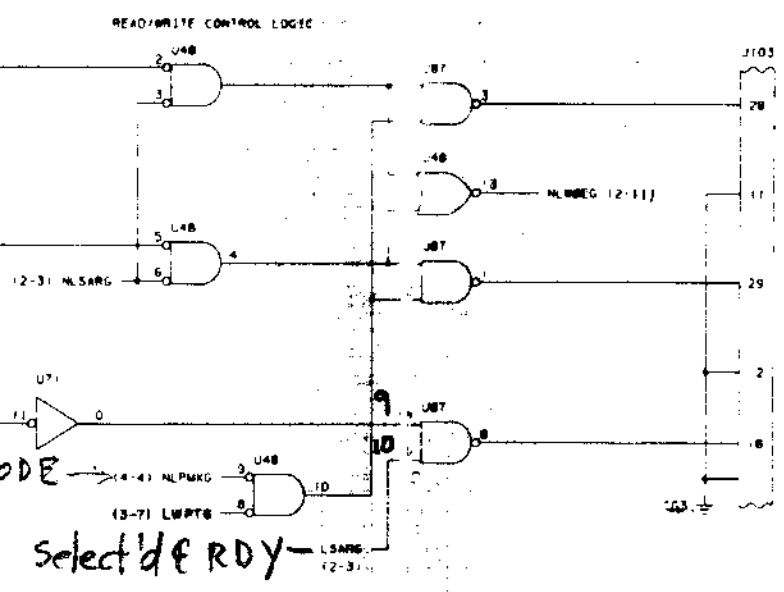
Heads Retracted

READY

READY



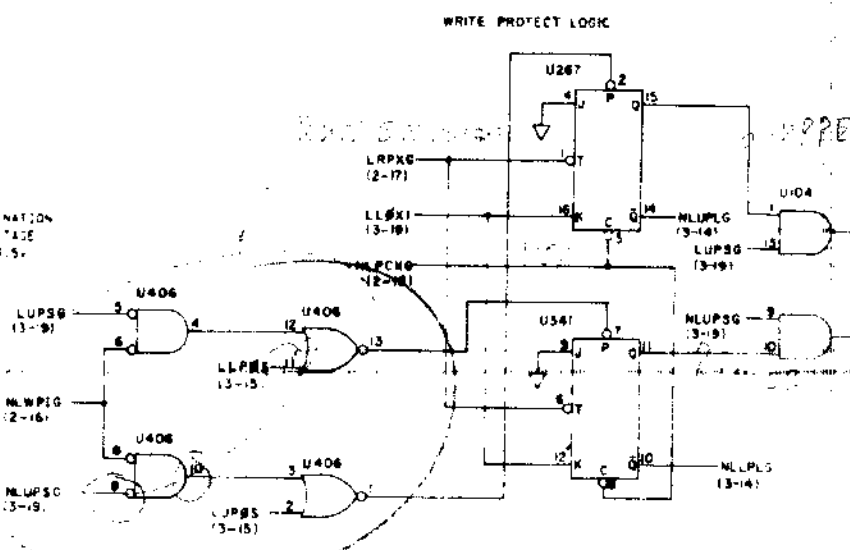
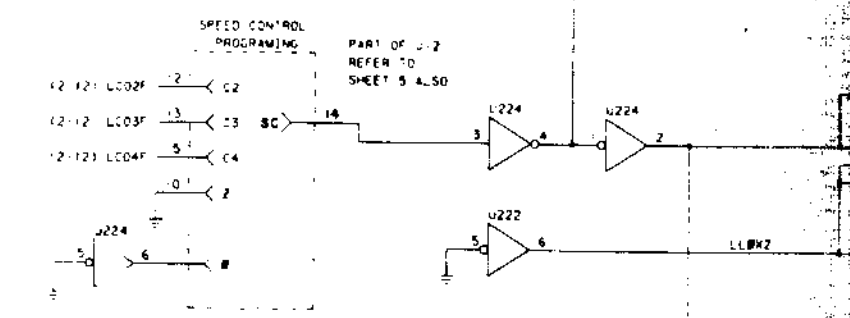
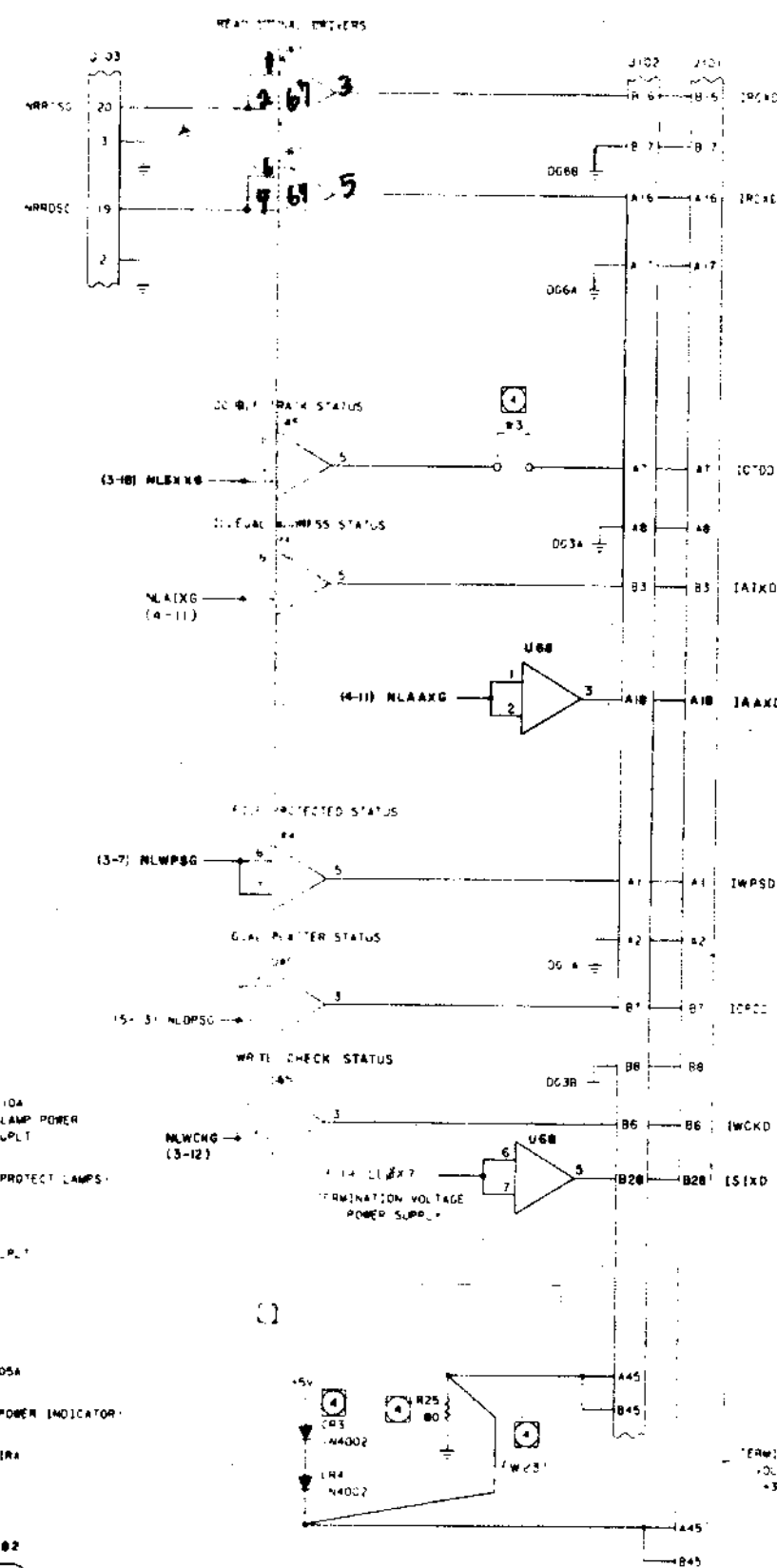
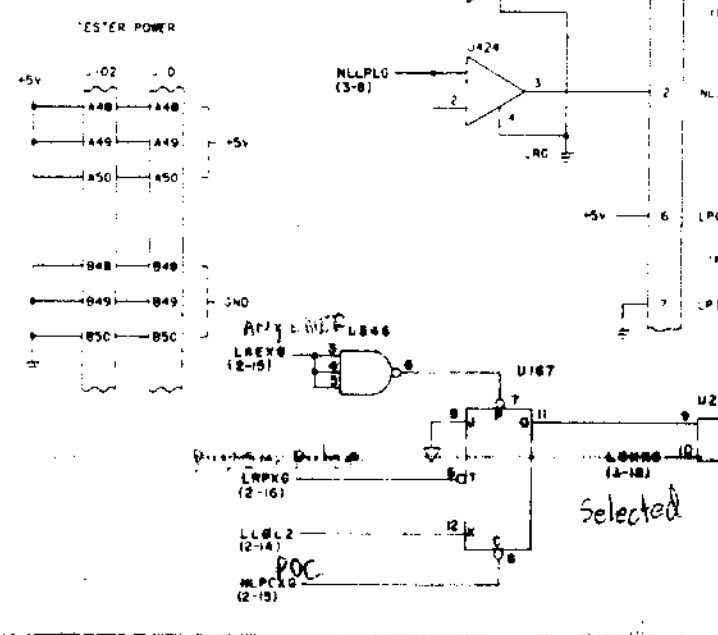
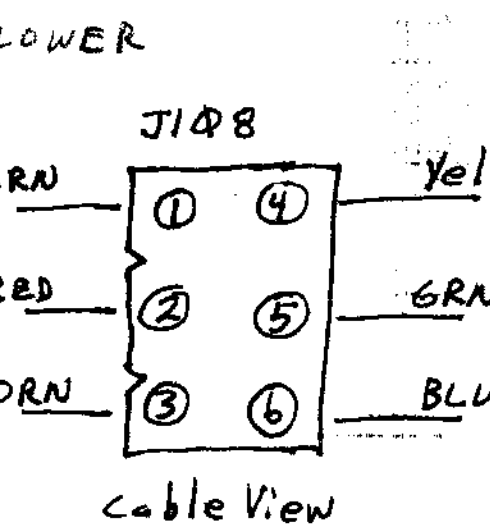
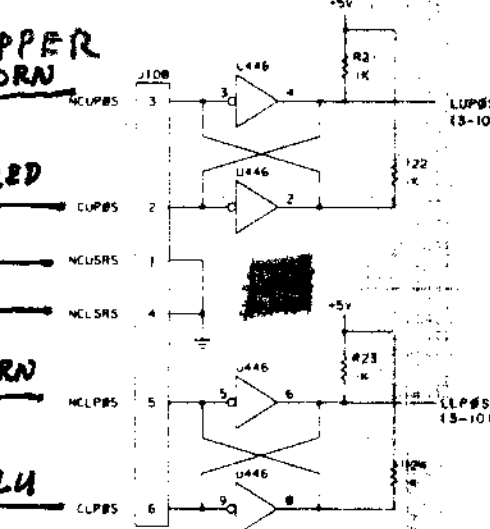




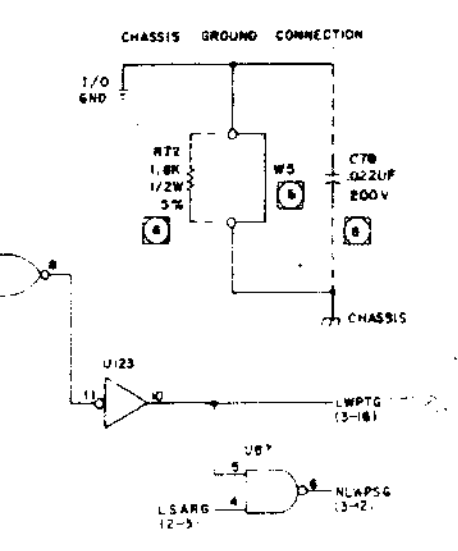
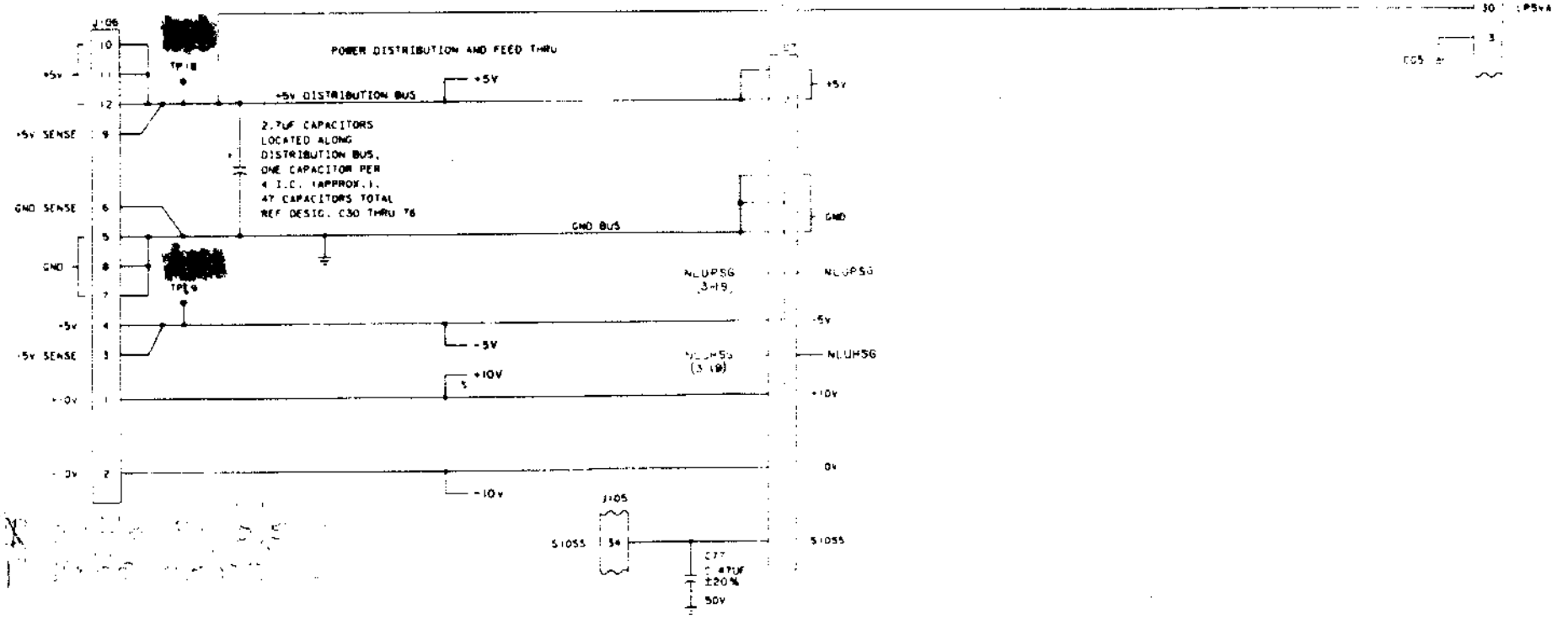
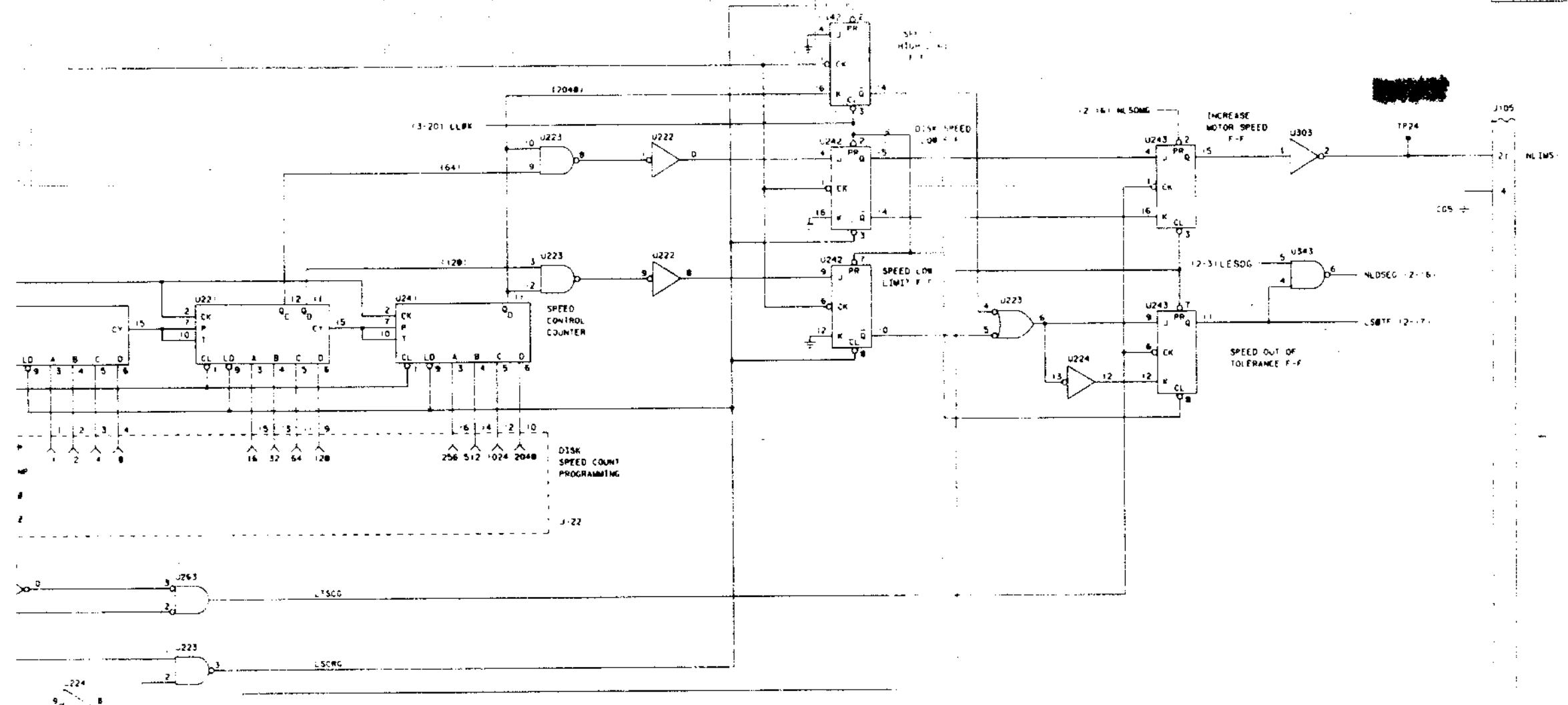
Write Mode Rd CLK

Erase Current Enable Rd data

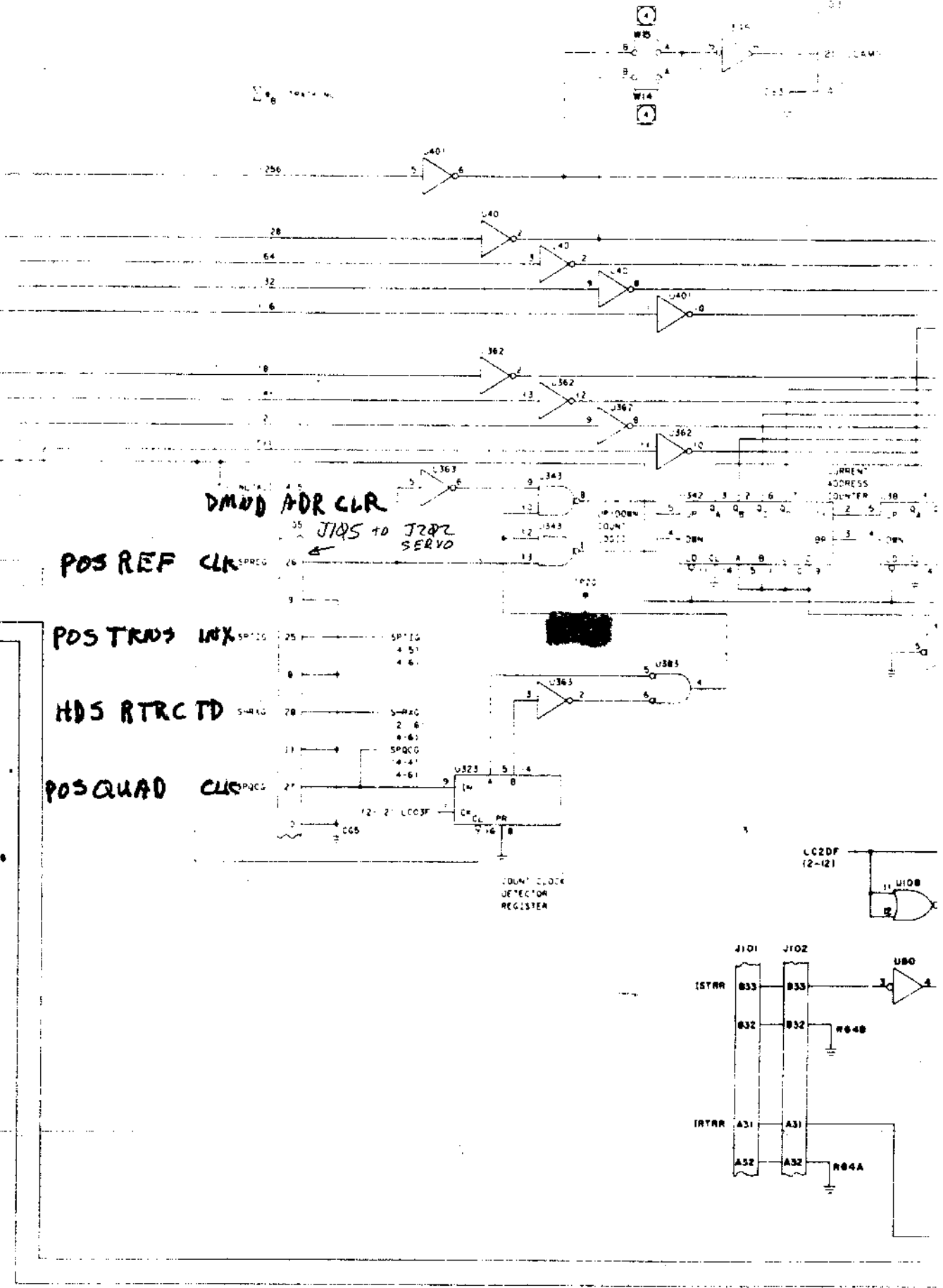
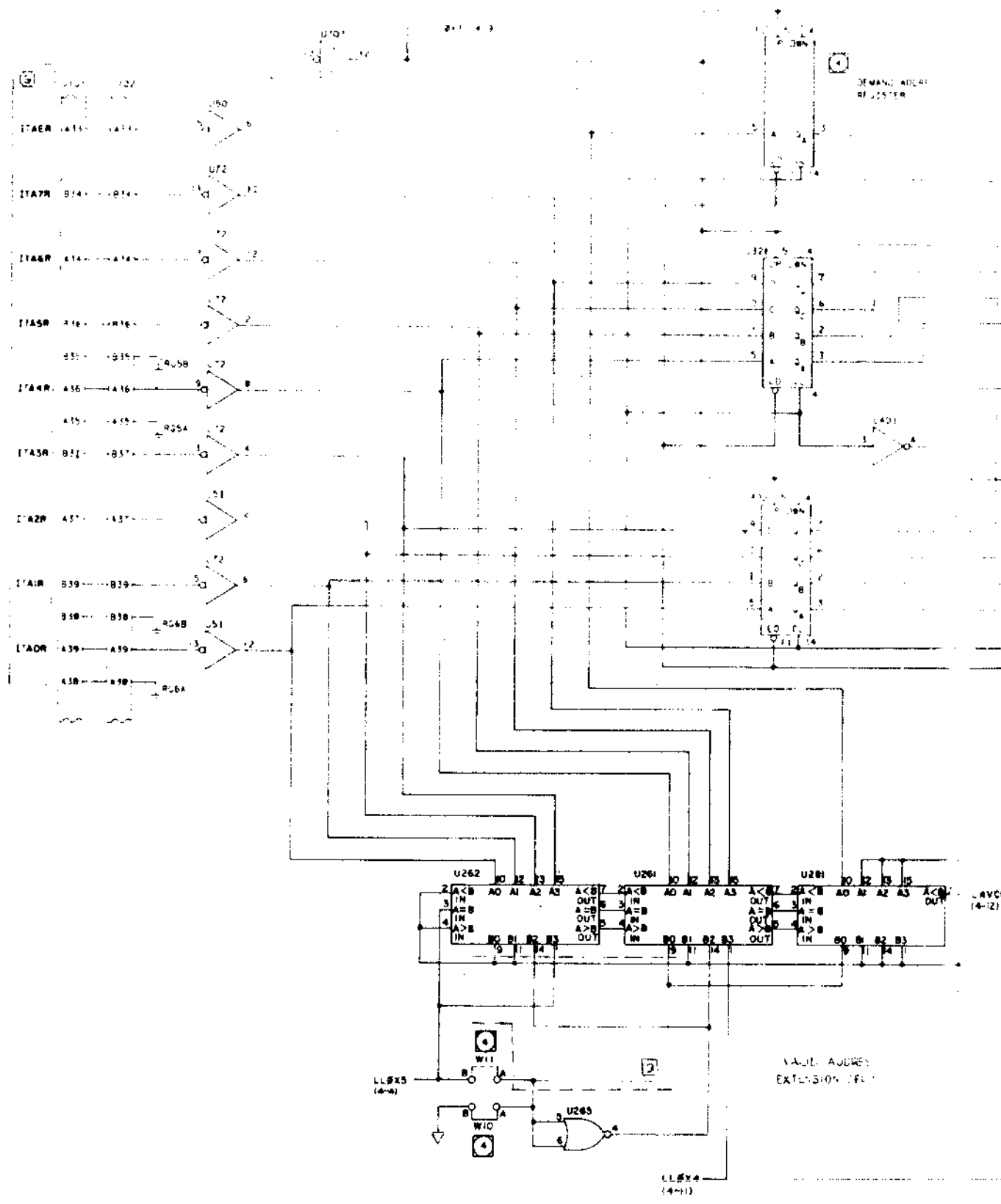
READ ENABLE CONTROL\*

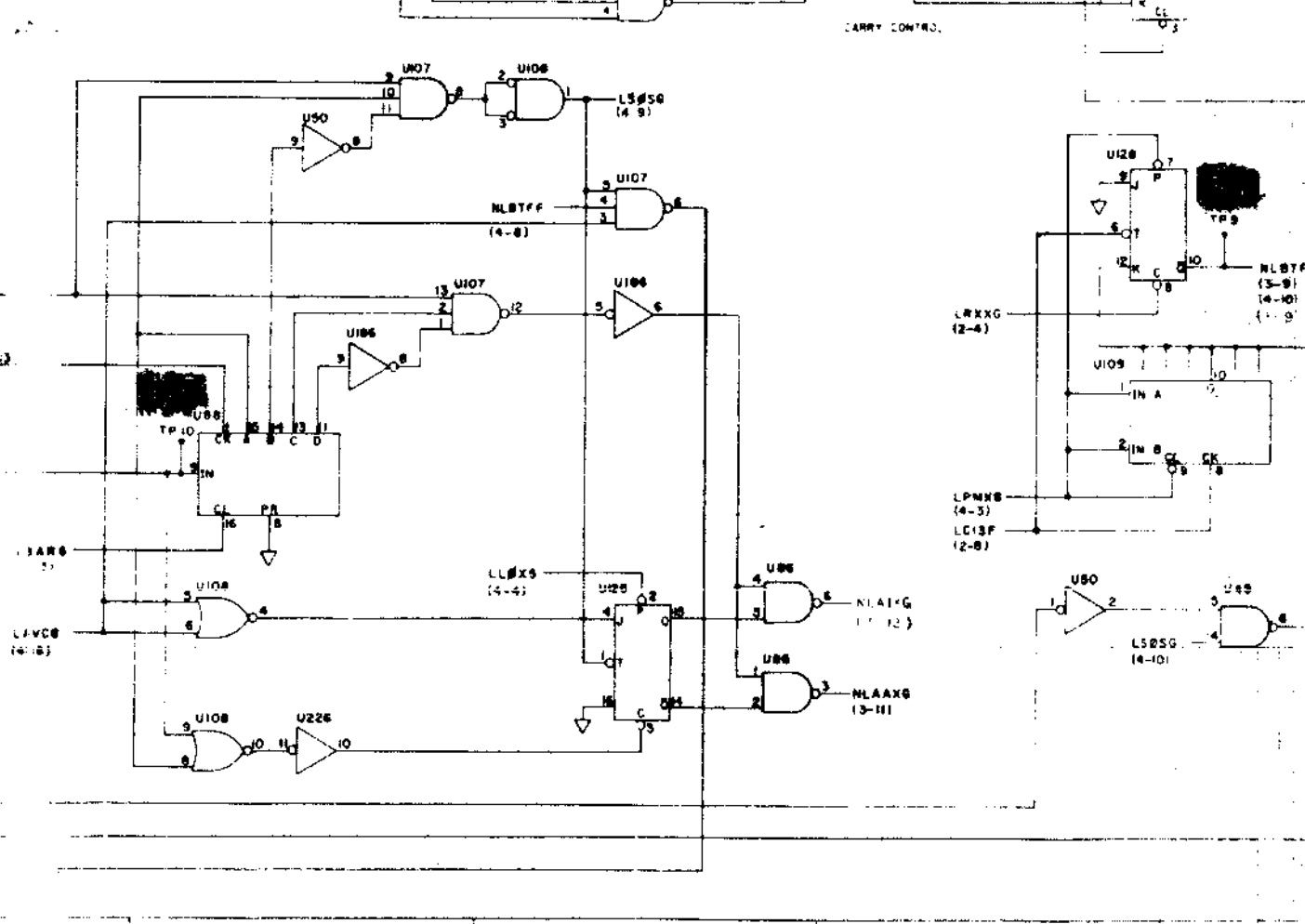
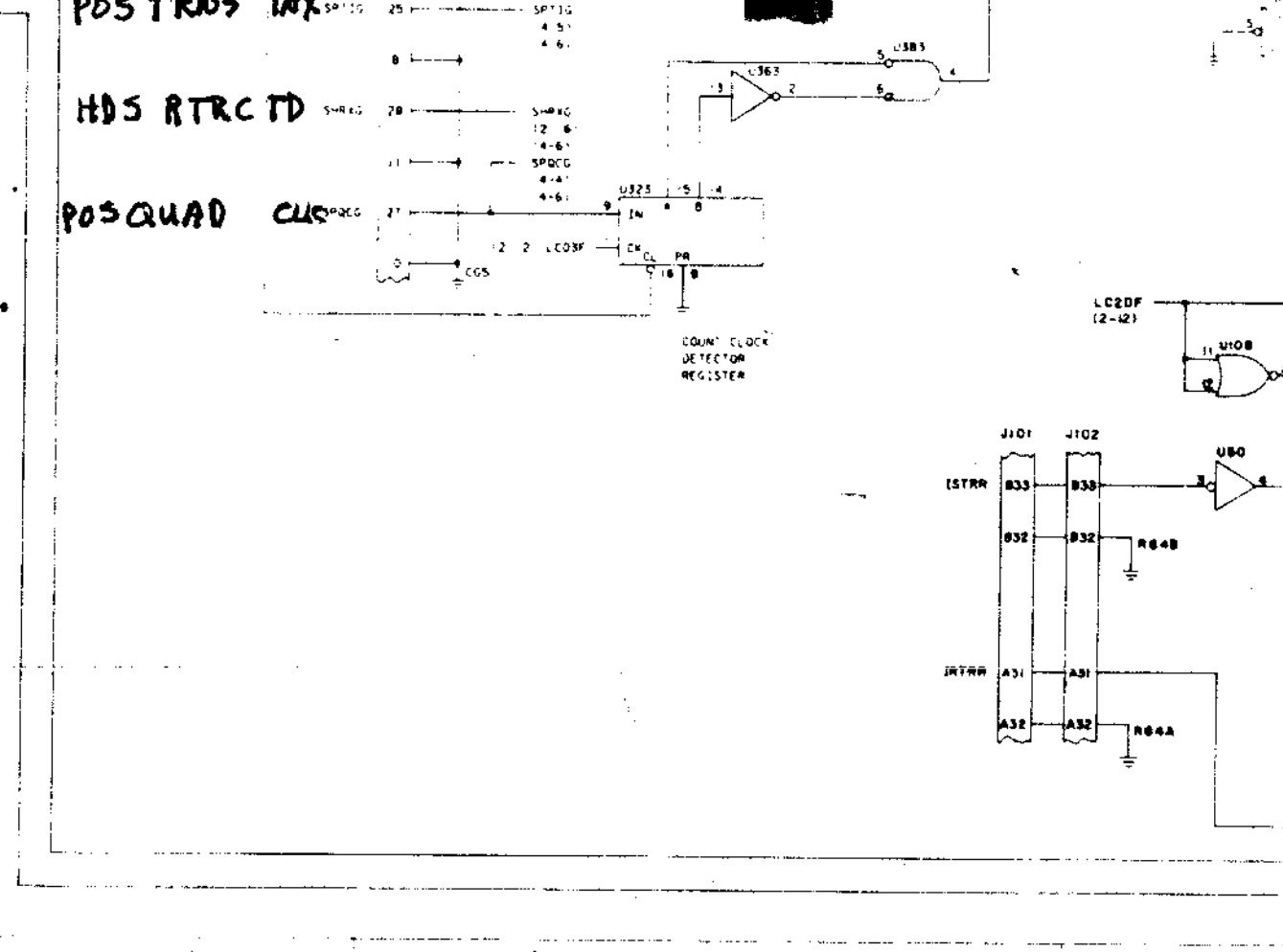
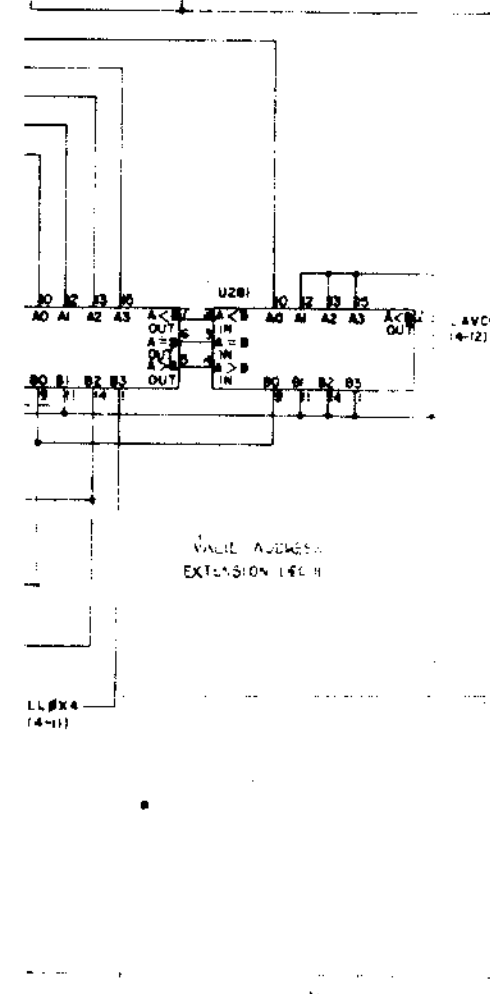
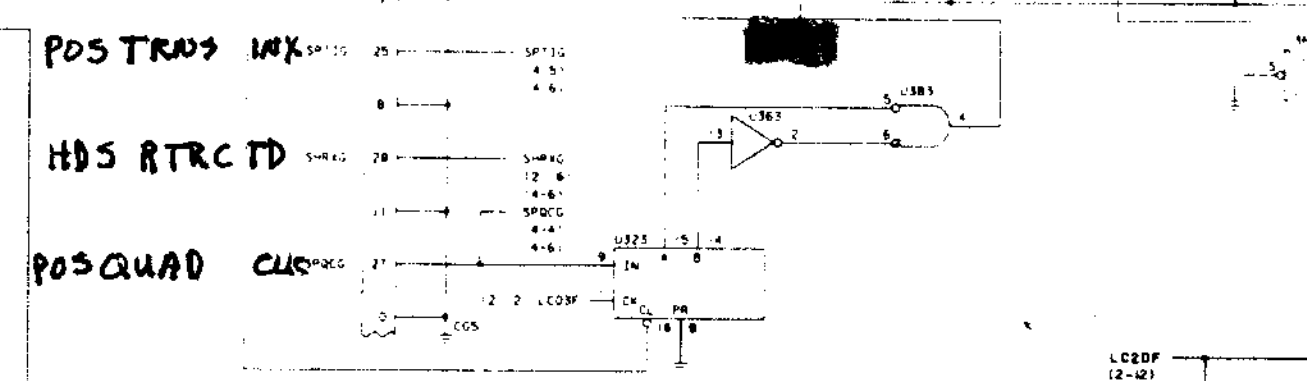
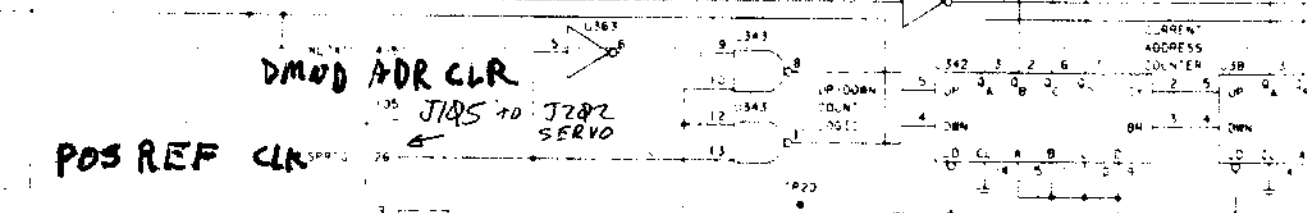
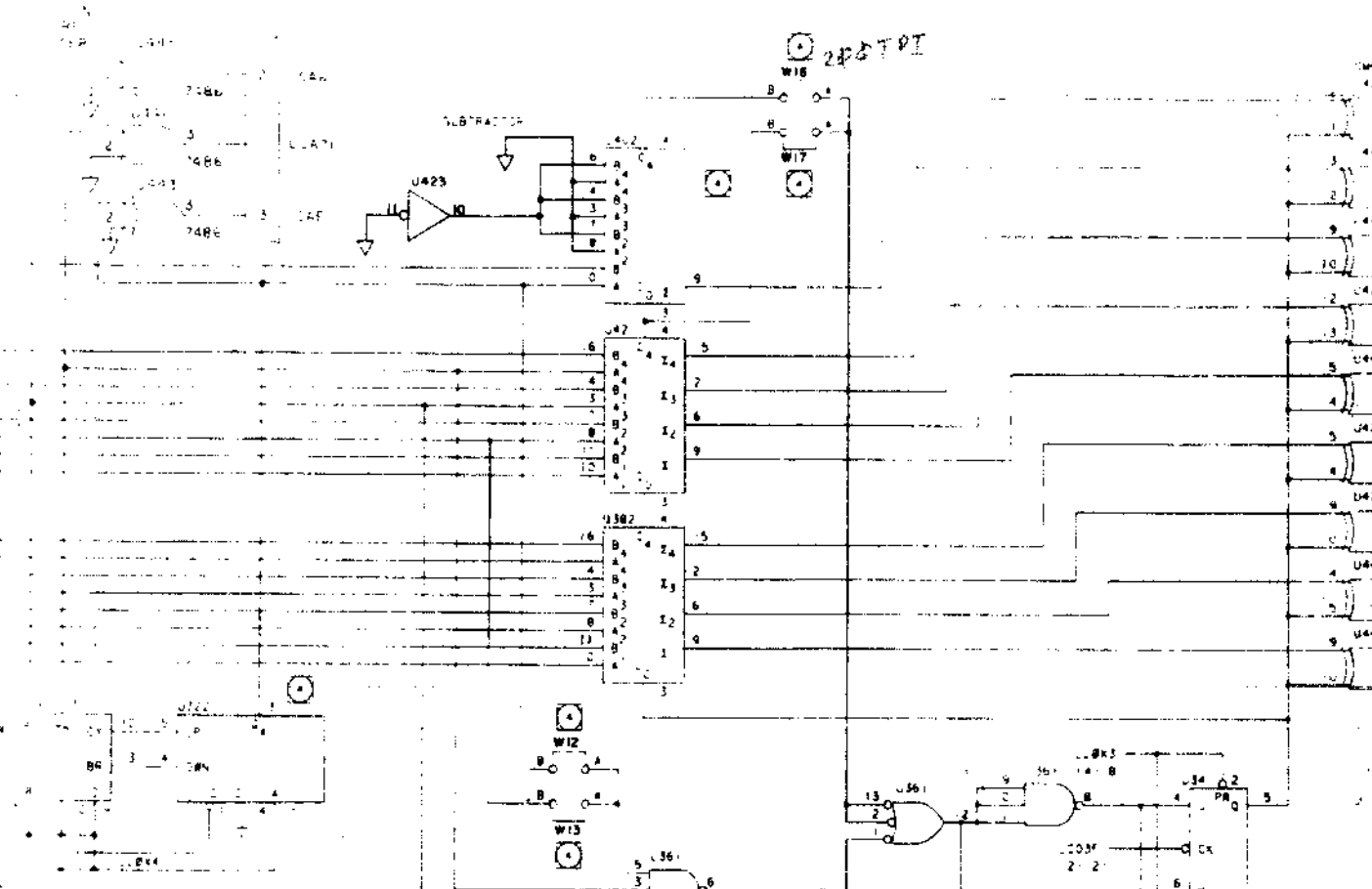
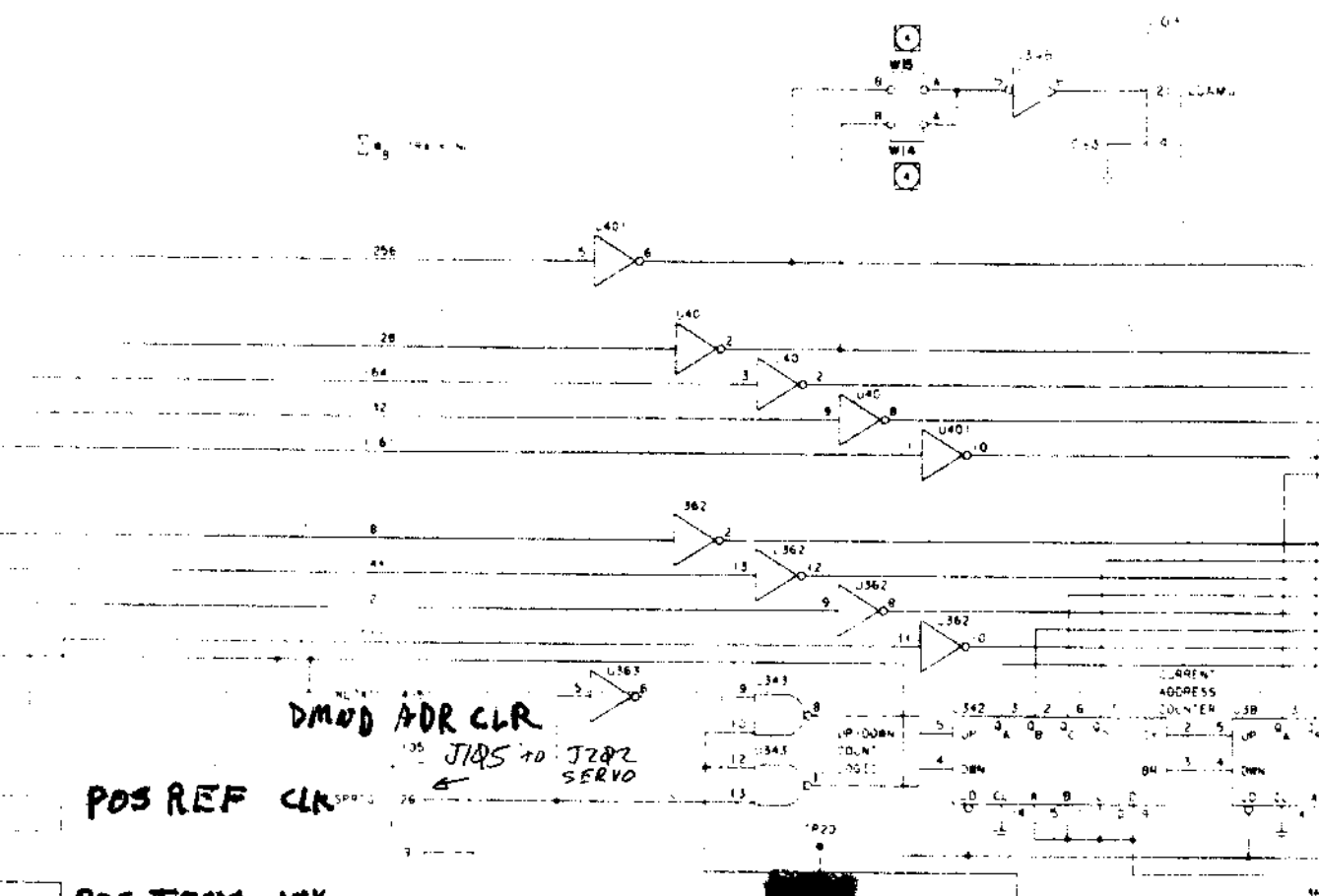
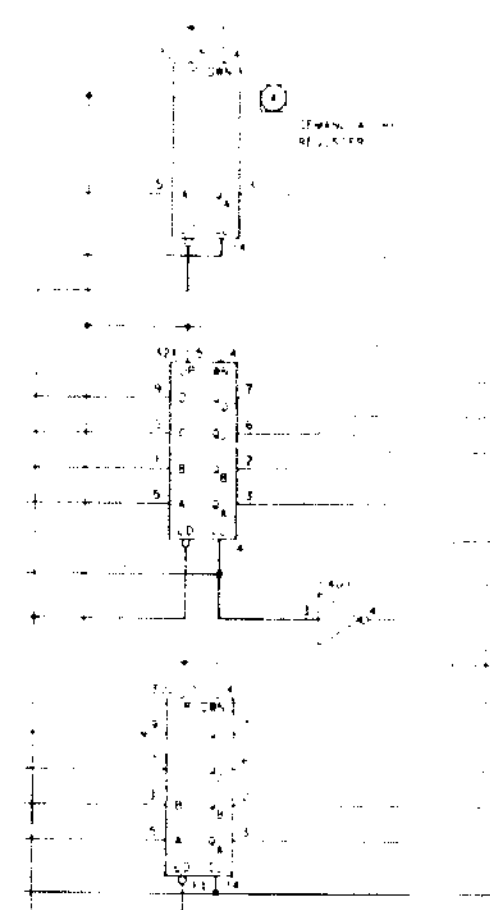


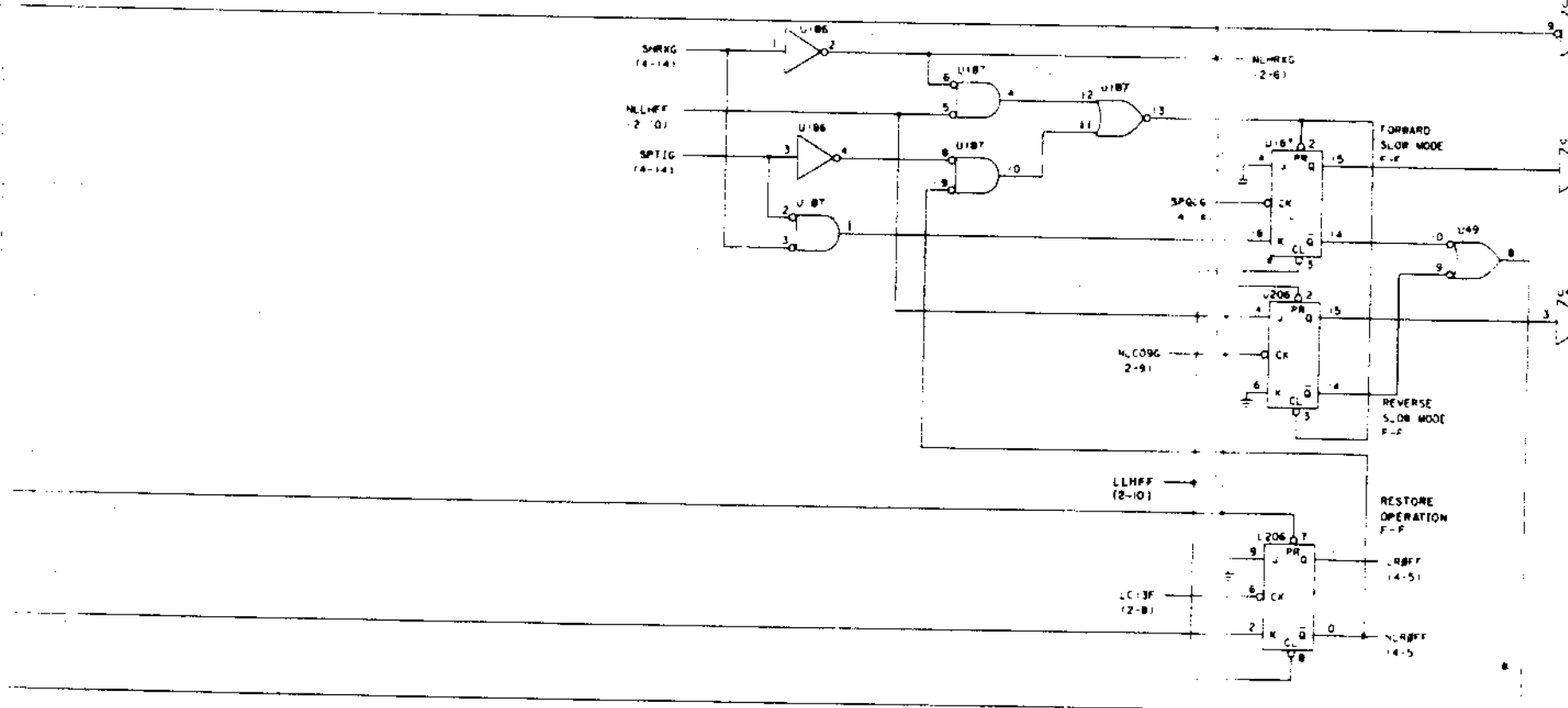
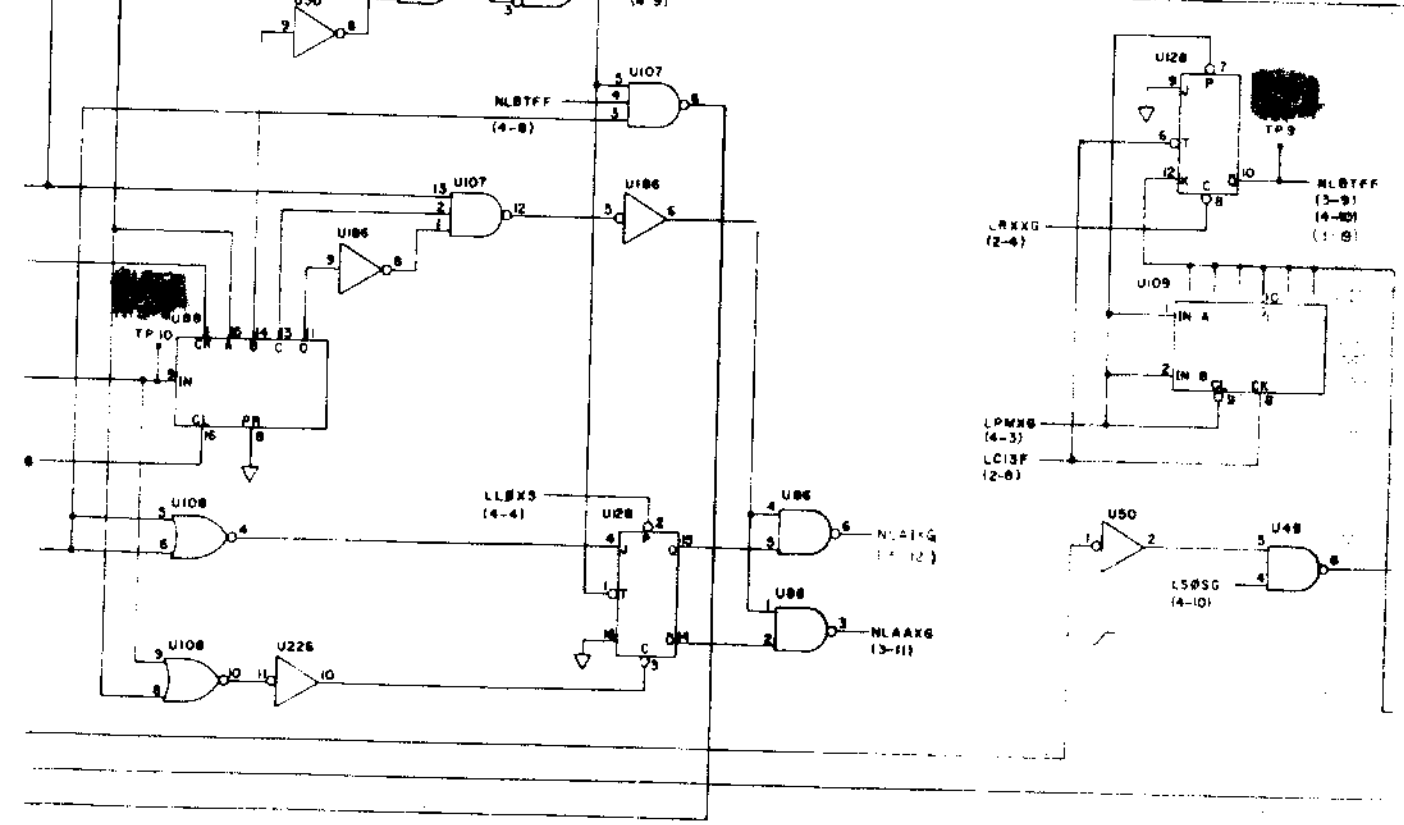
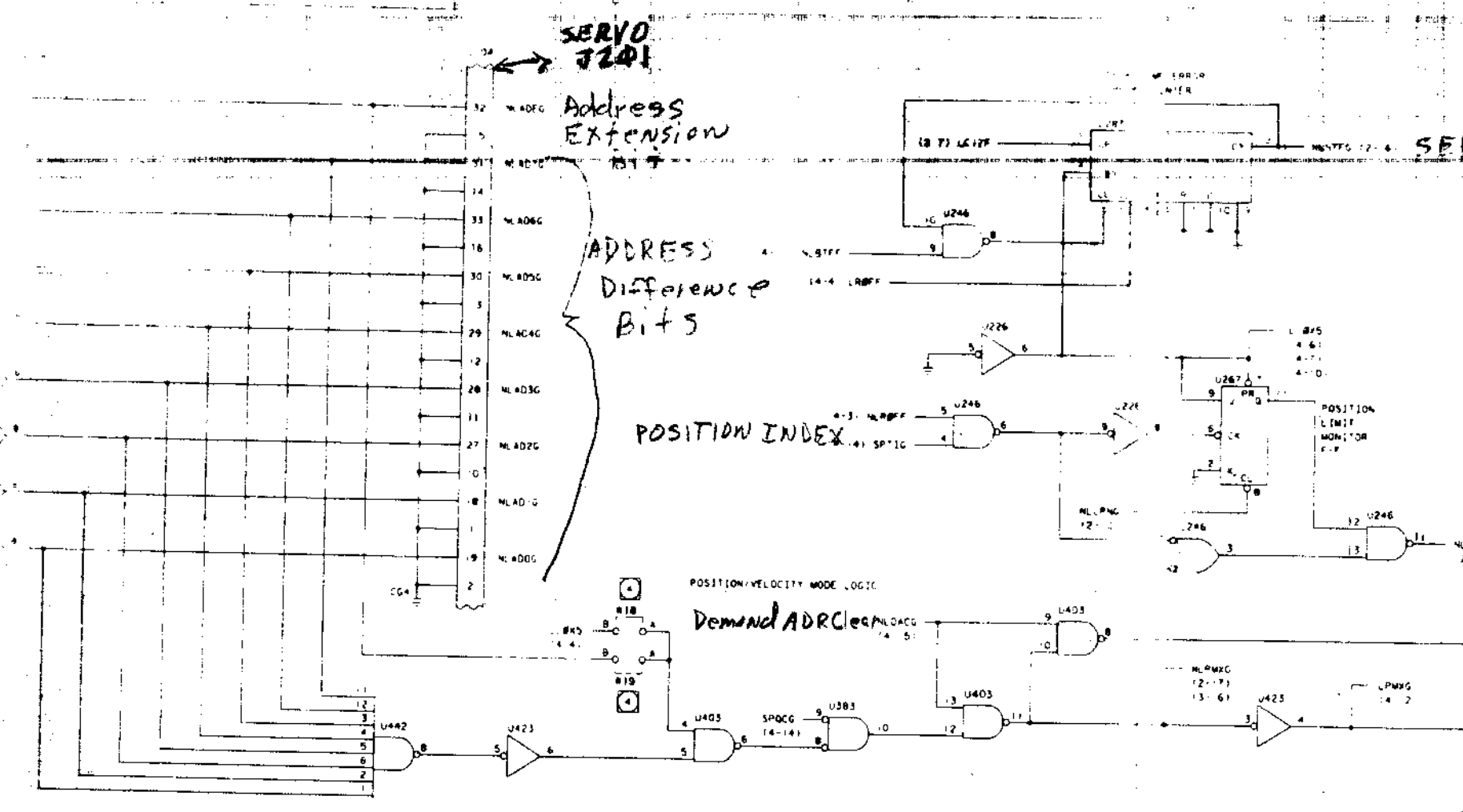
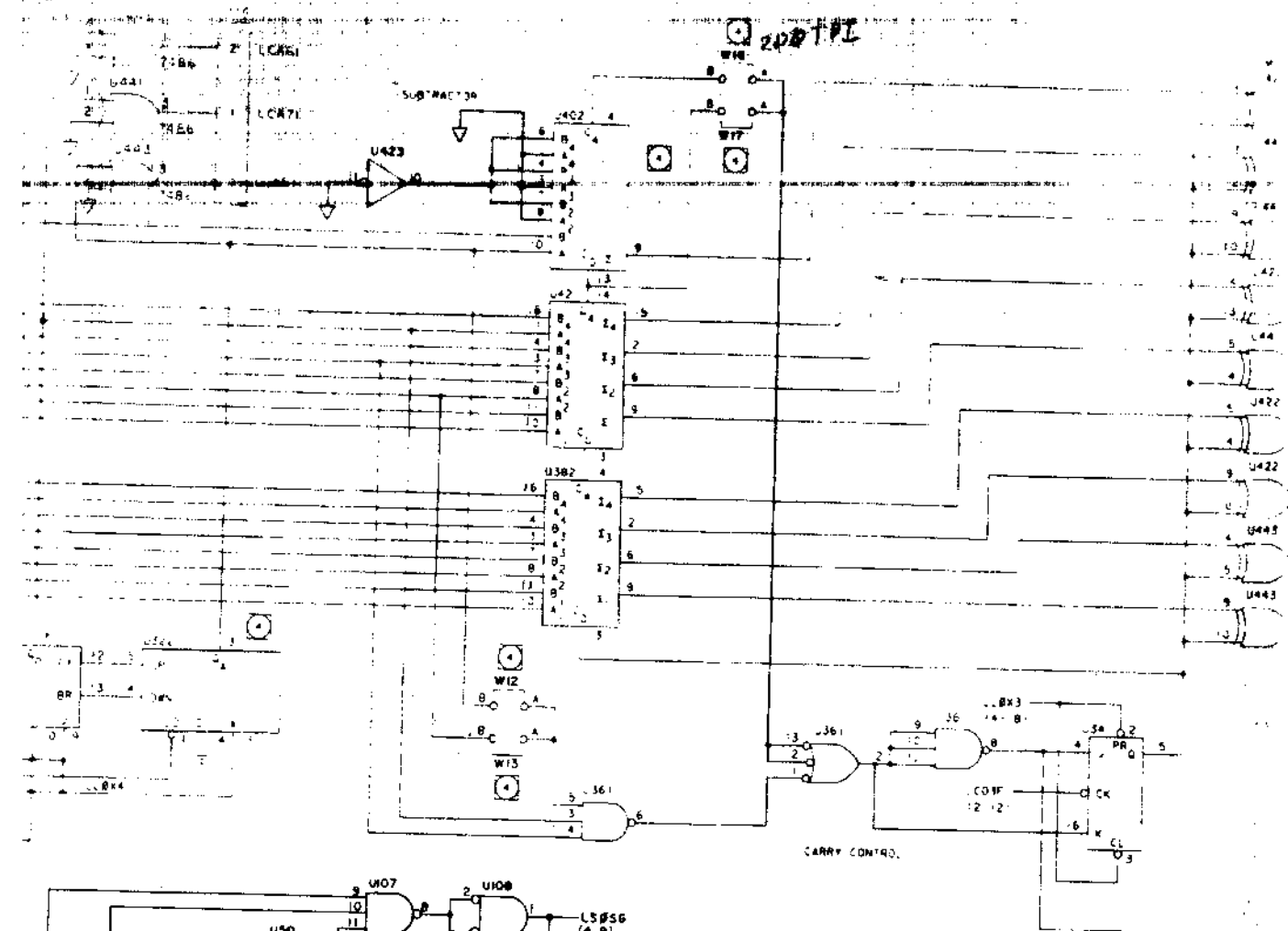
REV	DESCRIPTION	DATE	BY	APP
1	SEC 3-REV			

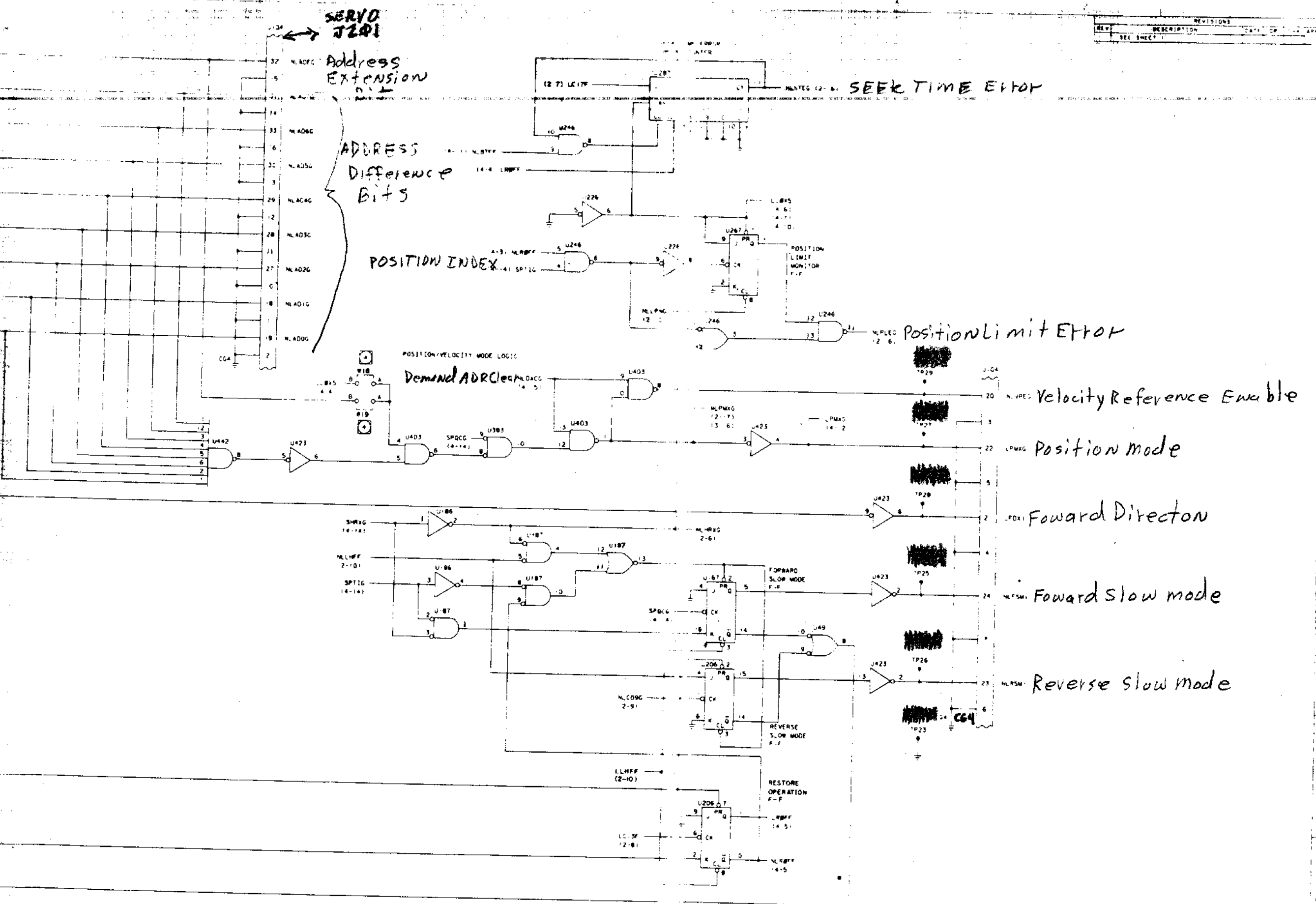


SIZE	DATE	REV	DWG NO	REV
			103725	
SCALE	DATE	BY	CHK	APP









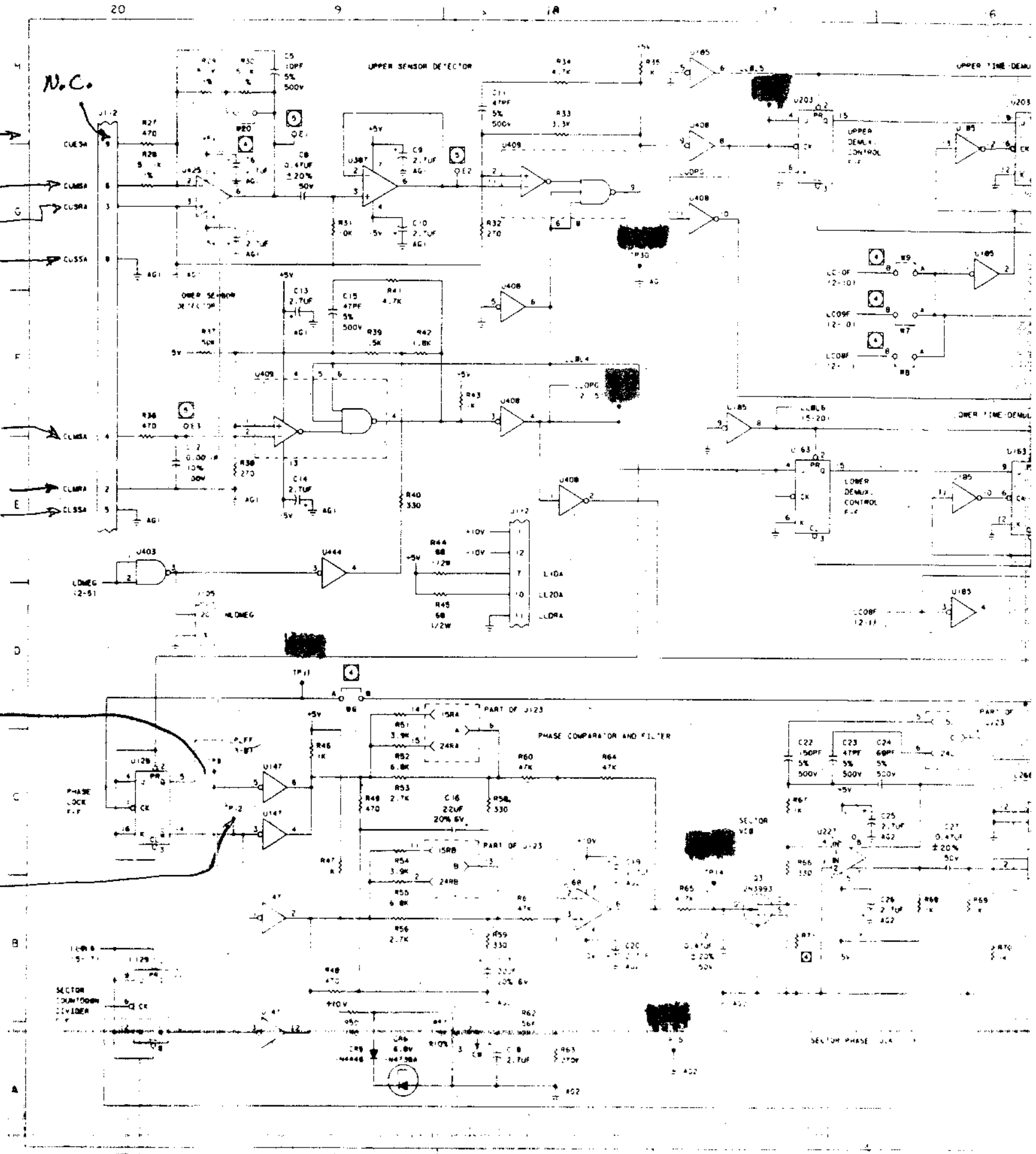
U425 - 7410N  
 U387 - 741CN  
 U409 - 75107A

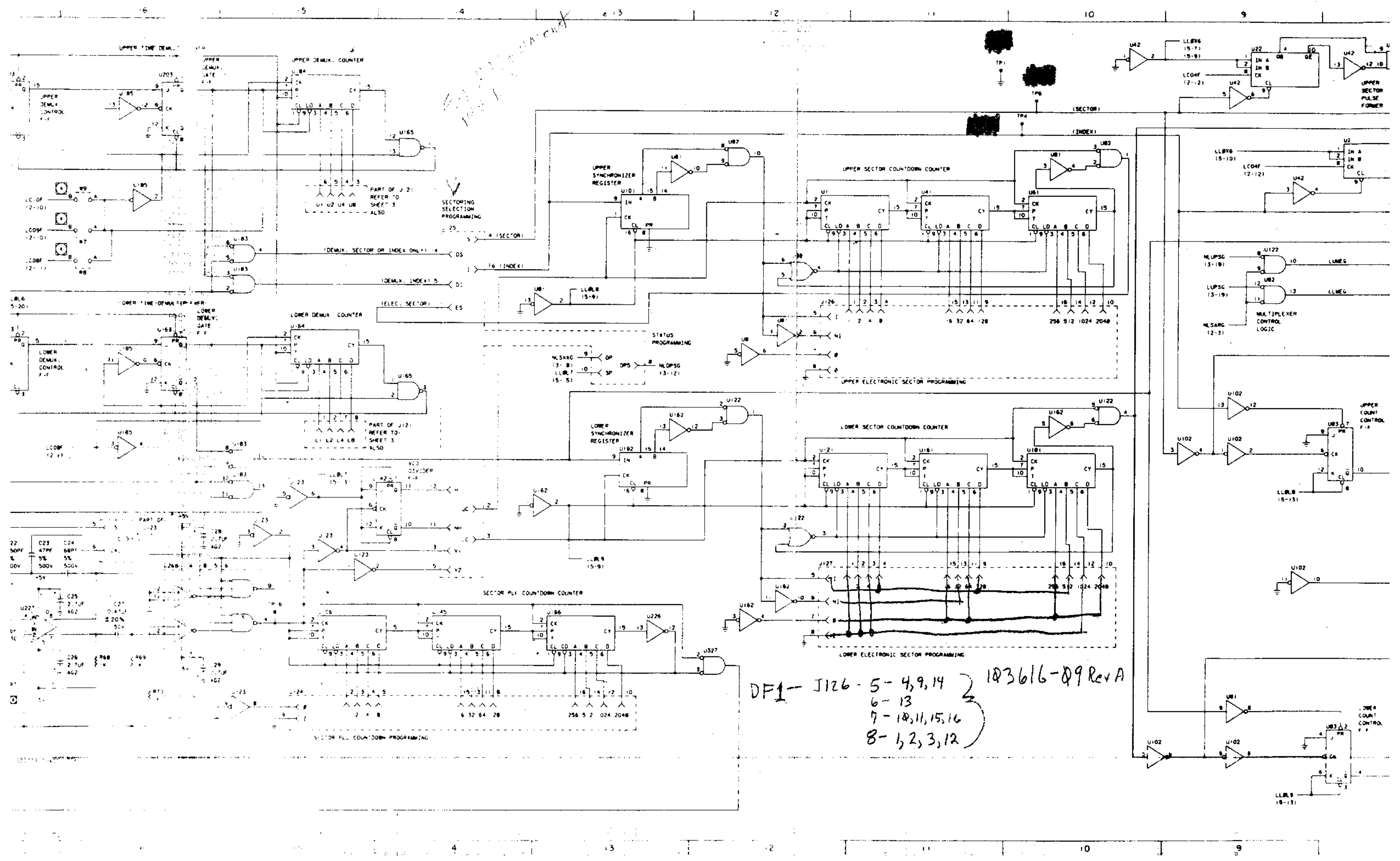
UPPER SENSOR SHIELD →  
 UPPER SENSOR SIGNAL →  
 UPPER SENSOR RTN →  
 UPPER SENSOR SHIELD →

LOWER SENSOR SIGNAL →  
 LOWER SENSOR RTN →  
 LOWER SENSOR SHIELD →

TP8

TP12



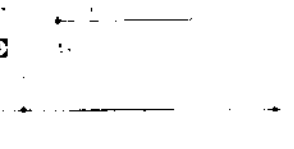
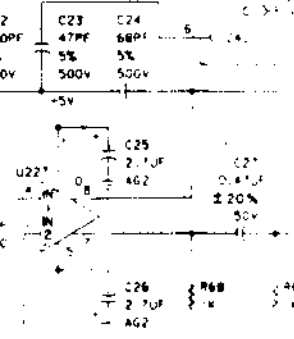


100%  
 100%  
 100%

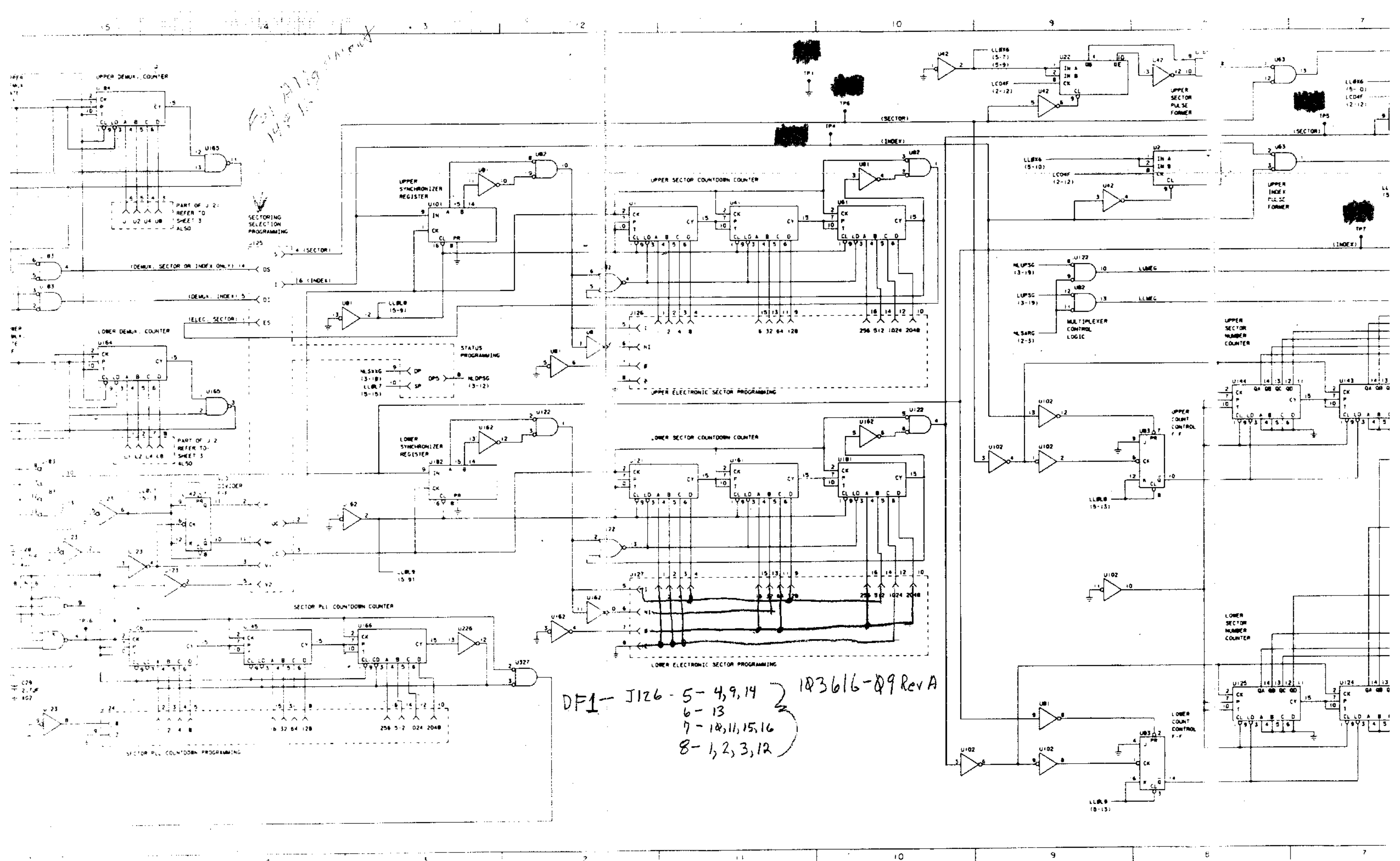
PART OF J126 REFER TO SHEET 3 ALSO

PART OF J126 REFER TO SHEET 3 ALSO

DF1 - J126 - 5 - 4, 9, 14 } 103616-09 Rev A  
 6 - 13  
 7 - 10, 11, 15, 16  
 8 - 1, 2, 3, 12





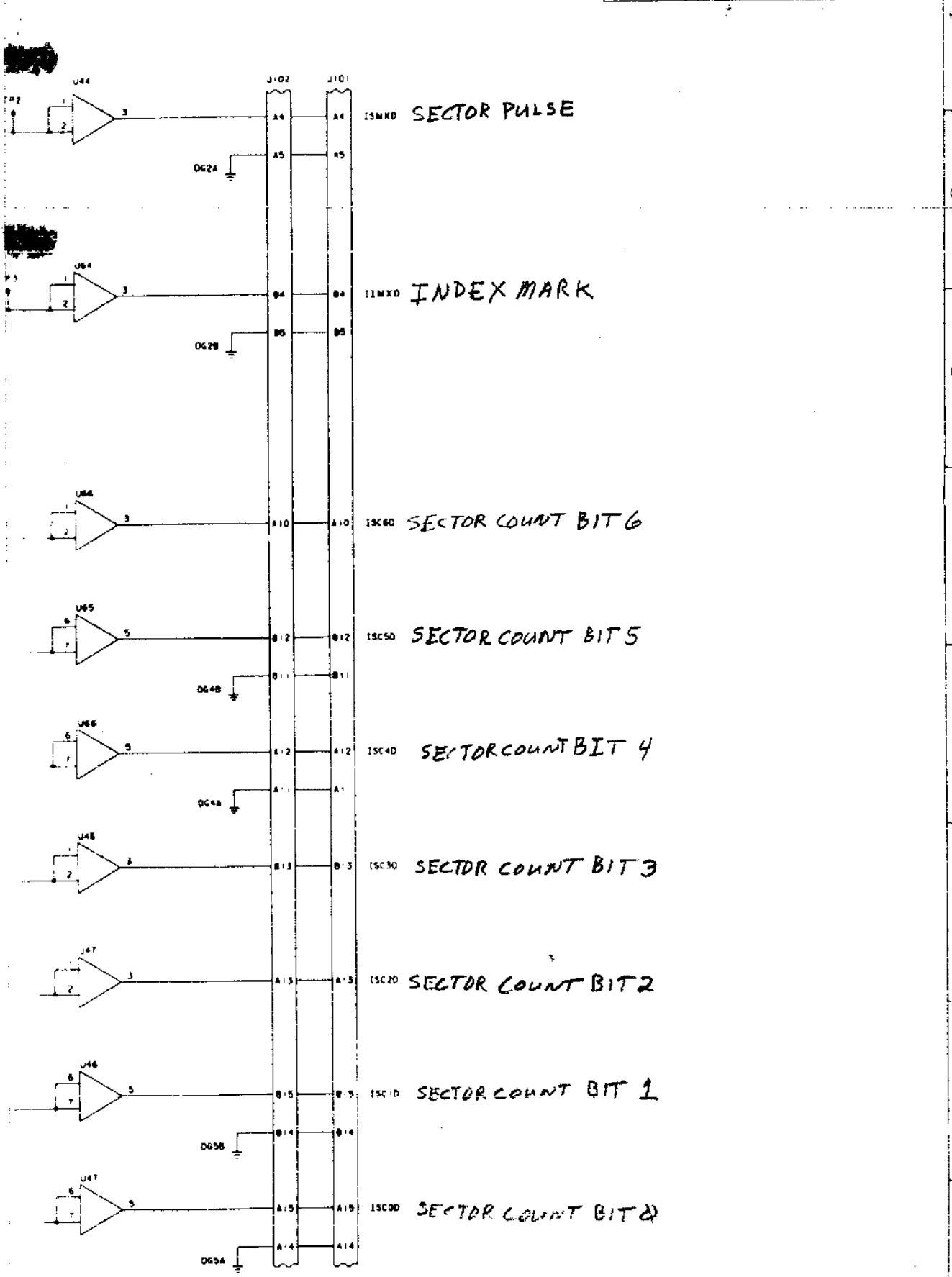
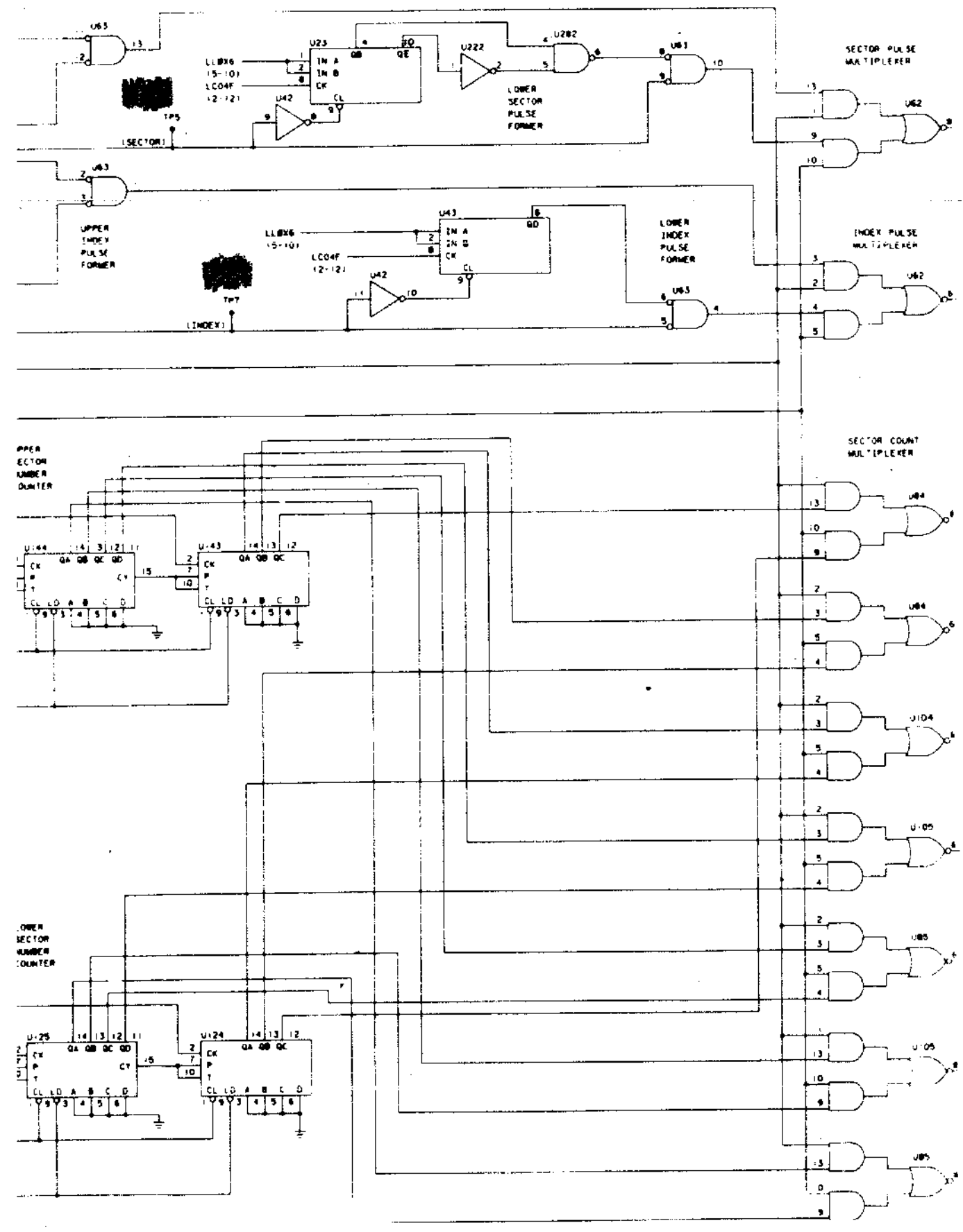


FOLIO 119

DF1 - J126 - 5 - 4, 9, 14  
 6 - 13  
 7 - 10, 11, 15, 16  
 8 - 1, 2, 3, 12

103616-09 Rev A

REV		DESCRIPTION		REVISIONS		DATE	DR	CHK	APPR
SEE SHEET 1									



SIZE	DATE	ISSUED BY	DWG NO.	REV.
			113725	A
CHECK		DO NOT SCALE DRG		SHEET 5 OF 5

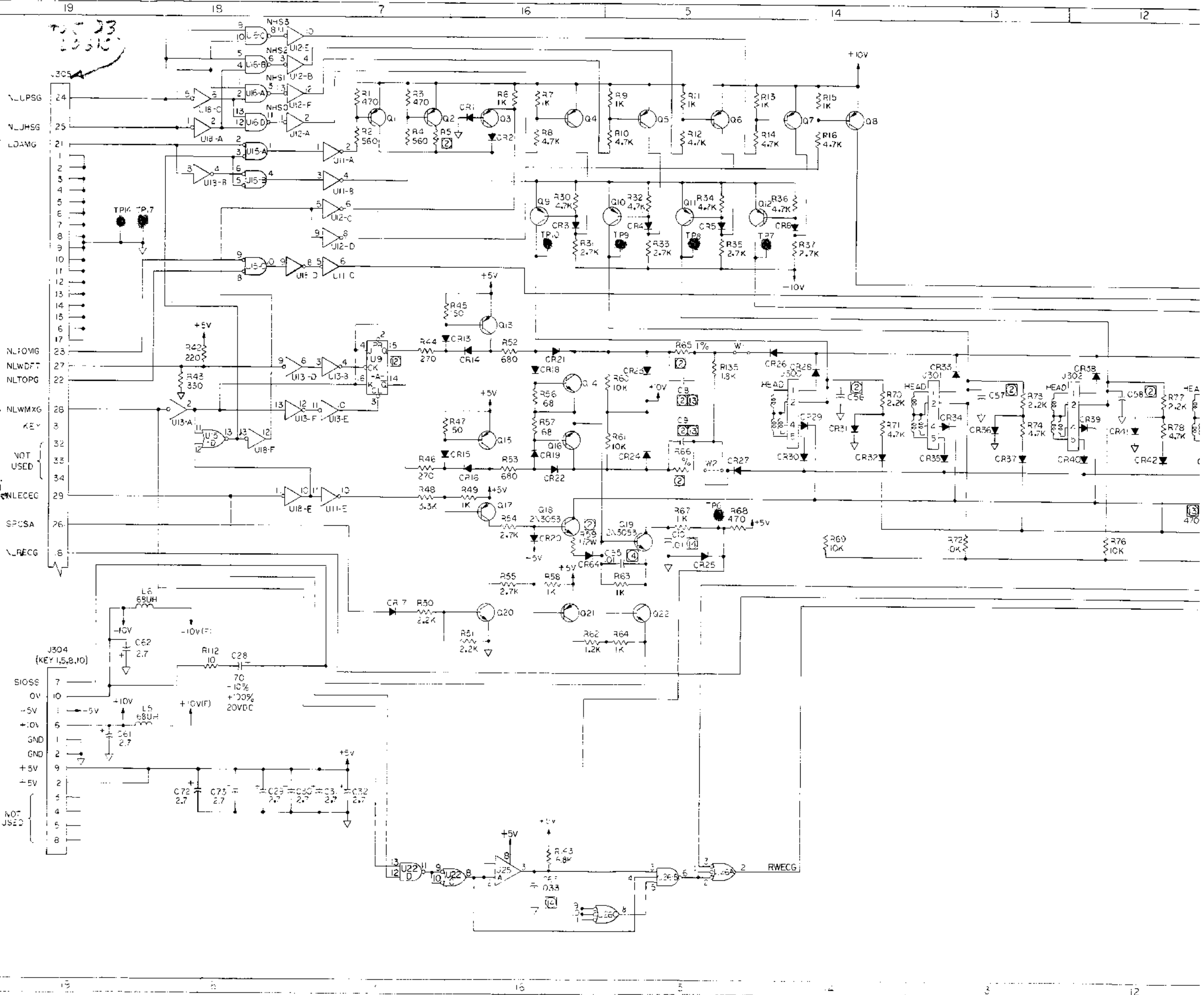
**TABLE II**

LAST USED	NOT USED
C78	C15, 38 THRU 49, 64, 65, 35, 11 THRU 6, 53, 54, 66, 67, 69, 70, 21
CR69	CR54, 57 THRU 63, 65, 66, 7 THRU 10, 67, 68
J305	
L8	
Q28	Q23, 24, 25
R160	R94, 95, 96, 117 THRU 133, 17 THRU 25, 28, 29, 38, 39, 40, 06, R144 THRU 149, 137, 138 139 THRU 142
U30	U10, 19, 23, 5, 3, 6, 17, 20, 21, 24,
VR2	
W3	
TP25	TP3, 4, 5, 11, 12, 13, 20, 21, 22

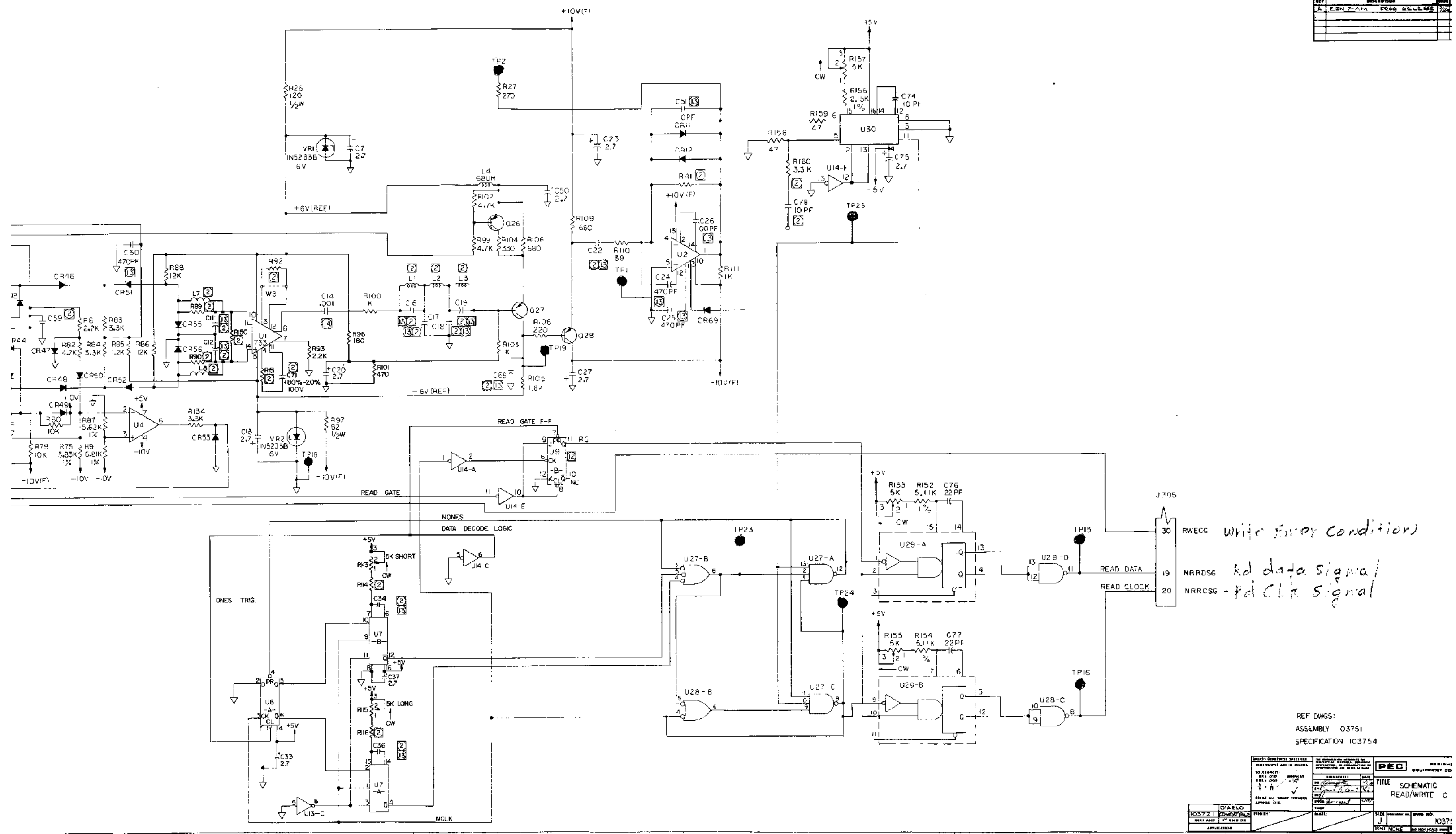
write mode

Erase "I" Erase

- ⑤ PIN 8 (U7, 29) IS 0V.  
PIN 16 (U7, 29) IS +5V.
  - ④ C10, 14, 55, 63 ARE IN MICROFARADS ±10% 100 VDC.
  - ③ C5, 21, 24, 25, 52, 60, 68, 51, 26, 22 34, 36, 11, 12, 16, 19, 8, 9, 17, 18, 74, 76, 77, 78 ARE IN PICOFARADS, 5%, 500VDC.
  - ② PIN NO. 5 (U9) IS +5V.  
PIN NO. 13 (U9) IS 0V.
  - ① FOR LAST USED AND DELETED REF DESIG., SEE TABLE III.
  - 10. CONNECTORS ARE NUMBERED FROM J300.
  - 9. PIN NO. 7 OF ALL IC'S IS 0V.  
PIN NO. 14 OF ALL IC'S IS +5V.
  - 8. ALL NPN TRANSISTORS ARE 2N4123.
  - 7. ALL PNP TRANSISTORS ARE 2N423.
  - 6. ALL DIODES ARE 1N4446.
  - 5. ALL CAPACITOR VALUES ARE IN MICROFARADS, 20%, 35 VDC.
  - 4. ALL RESISTOR VALUES ARE IN OHMS, 5%, 1/4W.
  - 3. FOR PCB A, SEE DWG. NO. 103751.  
FOR SPEC., SEE DWG. NO. 103754.
  - ② FOR VALUE, PART NO. AND USAGE OF COMPONENTS AFFECTED BY VERSION NO., SEE TABLE II
  - ① FOR PART NO. OF COMPONENTS NOT AFFECTED BY VERSION NO., SEE TABLE I.
- NOTES: UNLESS OTHERWISE SPECIFIED



REV	DESCRIPTION	DATE
A	ERN 7-AM DRG RELEASE	



RWECG Write Error Condition  
 NRDSG Rd data signal  
 NRRCSG Rd CLK signal

REF DWGS:  
 ASSEMBLY 103751  
 SPECIFICATION 103754

DIMENSIONS ARE IN INCHES TOLERANCES: FRACTIONS DECIMALS ANGLES .015 .005 .010 .015 .005 .005 .005 .005 .015 .015 .015 .015 .015 .015 .015 .015 .015 .015 .015 .015 .015 .015 .015 .015	DIMENSIONS ARE IN MILLIMETERS TOLERANCES: FRACTIONS DECIMALS ANGLES .015 .005 .010 .015 .005 .005 .005 .005 .015 .015 .015 .015 .015 .015 .015 .015 .015 .015 .015 .015 .015 .015 .015 .015	TITLE SCHEMATIC READ/WRITE C	DATE 10/37/71 DRAWN J CHECKED J APPROVED J PARTS LIST NONE	SIZE 11x17 SHEET NO. 103751 OF 103751
--	---	---------------------------------	--	---

① TABLE I

PART NO.	REF DESIGNATION
100-1005	R112
-1025	R5,7,9,11,13,15, 49,58, 63,64,100,103,111, 67
-1035	R50,61,69,72,76,79,80
-1225	R62,85
-1235	R86,88
-1515	R45,47
-1815	R96
-825	R105,135
-2215	R42,108
-2225	R50,51, 70,73,77,81,93
-2715	R27,44,46
-2725	R31,33,35,37,54,55
-3315	R43,104
-3325	R48,83, 84,134
-3905	R110
-4705	R158, 159
-4715	R1,3, 68, 101
-4725	R8,10,12,14,16,30,32,34,36, 71,74,78,82,99,102
-5615	R2,4
-6815	R106,52,53,109
-6825	R143
100-6805	R56,57
101-1215	R26
101-8205	R97
104-2151	R156
104-5111	R152,154
104-3831	R75
104-5621	R87
104-6811	R91
121-5020	R113, 115,153,155,157
130-1005	C51,74
130-015	C26,
130-2205	C76,77
130-4715	C24,52,60,25

① TABLE I

PART NO.	REF DESIGNATION
131-1020	C14
131-1030	C10, 55
131-3330	C63
132-2752	C7,13,20,23,27,29,30, 3,32,33, 37,50, 61,62,72,73,75
133-7060	C28
200-3053	Q18,19
200-4123	Q14,16,20,22
200-4125	Q1 THRU Q13,15,17,21,26, 27,28
300-4446	Q1 THRU 6,11 THRU 53, 55,56,64,69
331-0605	VRI,2
400-075	J2
400-2741	U4
515-6805	L4,5,6
700-4123	U7,29
700-4740	U8
700-0001	U9
-0002	U13, 4
-0003	U22
-4000	U28
-5735	U1
-7400	U16
-7402	U15
-7404	U16
-740	U26
-7416	U11,12
700-7545	U25
700-4010	U27
700-8020	U30
690-0022	W12

DESCRIPTION	ASSEMBLY DASH NO.	VERSION		R41		W3		C8,C9		C11,C12		C16,C19		C17,C18		C22		VALUE
		100 TPI	200 TPI	VALUE	PART NO.	PART NO.	VALUE	PART NO.	VALUE	PART NO.	VALUE	PART NO.	VALUE	PART NO.	VALUE	PART NO.		
2400 RPM	-01	X		4.3K	100-4325	100373-02		68 PF	130-6805	22 PF	130-2205	43 PF	130-4305	56 PF	130-5605	330 PF	130-3315	OMIT
2200 BPI																		
1500 RPM	-02	X		4.3K	100-4325	100373-02		68 PF	130-6805	43 PF	130-4305	56 PF	130-5605	68 PF	130-6805	560 PF	130-5615	
2200 BPI																		
2400 RPM	-03		X	4.3K	100-4325	OMIT		68 PF	130-6805	22 PF	130-2205	43 PF	130-4305	56 PF	130-5605	330 PF	130-3315	
1500 RPM																		
2200 BPI	-04		X	4.3K	100-4325	OMIT		68 PF	130-6805	43 PF	130-4305	56 PF	130-5605	68 PF	130-6805	560 PF	130-5615	OMIT

② TABLE II (CONT'D)

DESCRIPTION	ASSEMBLY DASH NO.	VERSION		R160		R150		R151		R89,90		R114,116,118,14W	
		100 TPI	200 TPI	VALUE	PART NO.	VALUE	PART NO.	VALUE	PART NO.	VALUE	PART NO.	VALUE	PART NO.
2400 RPM	-01	X		OMIT		OMIT		OMIT		470	100-4715	562K	104-5621
2200 BPI													
1500 RPM	-02	X				OMIT		OMIT		470	100-4715	4.64K	104-4641
2200 BPI													
2400 RPM	-03		X			5.6K	100-5625	15	100-1505	OMIT		5.62K	104-5621
2200 BPI													
1500 RPM	-04		X	OMIT		5.6K	100-5625	15	100-1505	OMIT		4.54K	104-4641
2200 BPI													

TABLE I

PART NO.	REF DESIGNATION
100-1005	R112
-1025	R6,7,9,11,13,15, 49,58, 63,64,100,103,111, 67
-1035	R60,61,69,72,76,79,80
-1225	R62,85
-1235	R86,88
-1515	R45,47
-1815	R96
-1825	R105,135
-2215	R42,108
-2225	R50,51, 70,73,77,91,93
-2715	R27,44,46
-2725	R31,33,35,37,54,55
-3315	R43,104
-3325	R46,83, 84,134
-3905	R110
-4705	R158, 159
-4715	R1,3, 68, 101
-4725	R8,10,12,14,16,30,32,34,36 71,74,78,82,99,102
-5615	R2,4
-6815	R106,52,53,109
-6825	R143
100-6805	R56,57
101-1215	R26
101-8205	R97
104-2151	R156
104-5111	R152,154
104-3831	R75
104-5621	R87
104-6811	R91
121-5020	R13, 115,153,155,157
130-1005	C51,74
130-1015	C26,
130-2205	C76,77
130-4715	C24,52,60,25

TABLE I

PART NO.	REF DESIGNATION
131-1020	C14
131-1030	C10, 55
131-3330	C63
132-2752	C7,13,20,23,27,29,30, 31,32, 33, 37,50 61,62,72, 75
133-7060	C28
200-3053	Q18,19
200-4123	Q14,16,20,27
200-4125	Q1 THRU Q13,15,17,21,26, 27,28
300-4446	Q1 THRU 6, 11 THRU 53, 55,56,64,69
331-0605	V1,2
400-0715	U2
400-2741	J4
515-6805	L4,5,6
700-4123	U7,29
700-4740	U8
700-0001	U9
-0002	U13,14
-0003	U22
-4000	U28
-5733	U1
-7400	U16
-7402	U15
-7404	U18
-7410	U26
-7416	J11,12
700-7545	U25
700-8020	U30
690-0022	W1,2

DESCRIPTION	ASSEMBLY 103751 DASH NO.	VERSION		R4		W3		C8,C9		C11,C12		C16,C19		C17,C18		VALUE
		100 TPI	200 TPI	VALUE	PART NO.	PART NO.	VALUE	PART NO.	VALUE	PART NO.	VALUE	PART NO.	VALUE	PART NO.		
2400 RPM	-01-05	X		4.3K	100-4325	100373-02		68 PF	130-6805	22 PF	130-2205	43 PF	130-4305	56 PF	130-5605	330 PF
2200 BPI	-02-06		X	4.3K	100-4325	100373-02				43 PF	130-4305	56 PF	130-5605	68 PF	30-6805	950 PF
1500 RPM	-03-07		X	4.3K	100-4325	OMIT		68 PF	130-6805	22 PF	130-2205	43 PF	130-4305	56 PF	130-5605	330 PF
2400 RPM	-04-08		X	4.3K	100-4325	OMIT		OMIT		43 PF	130-4305	56 PF	130-5605	68 PF	130-6805	560 PF

TABLE II (CONT'D)

DESCRIPTION	ASSEMBLY 103751 DASH NO.	VERSION		R160		R150		R151		R89,90		R114,116,122,14W	
		100 TPI	200 TPI	VALUE	PART NO.	VALUE	PART NO.	VALUE	PART NO.	VALUE	PART NO.	VALUE	PART NO.
2400 RPM	-01-05	X		OMIT		OMIT		OMIT		470	100-4715	5.62K	104-5621
2200 BPI	-02-06		X			OMIT		OMIT		470	100-4715	4.64K	104-4641
1500 RPM	-03-07		X			5.6K	100-5625	15	100-1505	OMIT		5.62K	104-5621
2200 BPI	-04-08		X	OMIT		5.6K	100-5625	15	100-1505	OMIT		4.64K	104-4641

TABLE II (CONT'D)

DESCRIPTION	ASSEMBLY 103751 DASH NO.	VERSION		J306	J27
		100 TPI	200 TPI	PART NO.	PART NO.
2400 RPM	-01	X		OMIT	700-4010
2200 BPI	-02		X		
1500 RPM	-03		X		
2200 BPI	-04		X	OMIT	700-4010
2400 RPM	-05	X		103662-01	OMIT
2200 BPI	-06		X		
1500 RPM	-07		X		
2200 BPI	-08		X	103662-01	OMIT

8 7 6 5 4 3 2 1

REVISIONS			
REV	DESCRIPTION	DATE	BY
1	SEE SHT 1		

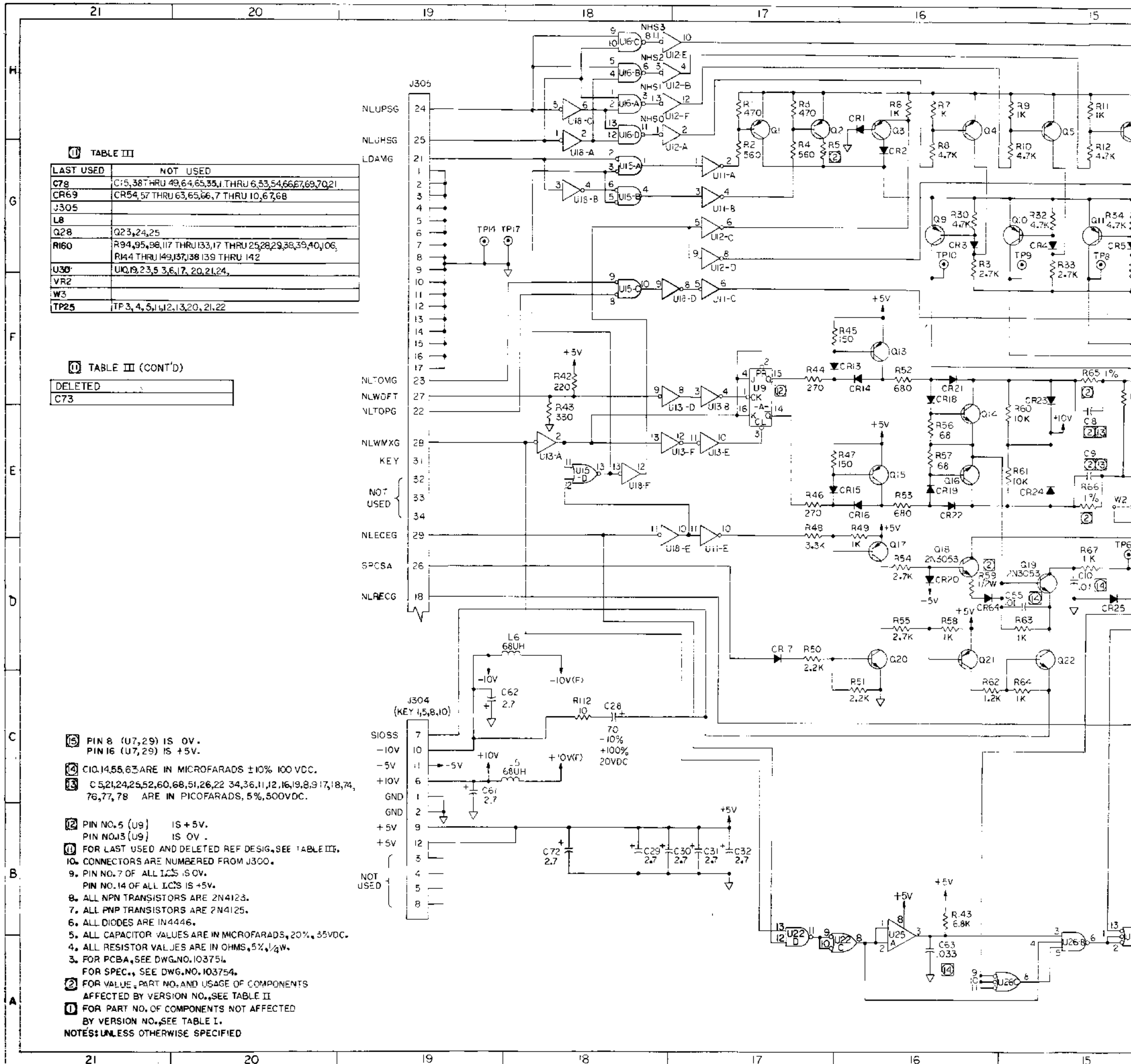
TABLE II

IT NO	VALUE	PART NO.	C34,36		C7		L7,8		C56,57,58,59		L1,L3		L2		R5		R59		R65,R66		R92		C68		
			VALUE	PART NO.	VALUE	PART NO.	VALUE	PART NO.	VALUE	PART NO.	VALUE	PART NO.	VALUE	PART NO.	VALUE	PART NO.	VALUE	PART NO.	VALUE	PART NO.	VALUE	PART NO.	VALUE	PART NO.	VALUE
			68 PF	130-6805	OMIT		OMIT		OMIT		24 UH	515-2405	68 UH	515-6805	33	100-3305	100	101-1015	464	104-4640	OMIT			33 PF	130-3305
			150 PF	130-1515	OMIT		OMIT		OMIT		33 UH	515-3305	68 UH	515-6805	33	100-3305	100	101-1015	464	104-4640	OMIT			47 PF	130-4705
			68 PF	130-6805	.05	135-5062	33UH	515-3305	OMIT		24 UH	515-2405	68 UH	515-6805	33	100-3305	100	101-1015	464	104-4640	OMIT			33 PF	130-3305
			150 PF	130-1515	.05	135-5062	33UH	515-3305	OMIT		33 UH	515-3305	68 UH	515-6805	33	100-3305	100	101-1015	464	104-4640	OMIT			47 PF	130-4705

H  
G  
F  
E  
D  
C  
B  
A

8 7 6 5 4 3 2 1

103751 TABLE COMPATIBLE APPLICATION		FINISH: CHECK ALL DIMENSIONS BEFORE JOB	SIGNATURES: _____ DATE: _____ DR: _____ CR: _____ WR: _____ PR: _____	<b>PERTEC PERIPHERAL EQUIPMENT</b> TITLE: SCHEMATIC READ/WRITE C	SIZE: _____ EDGE: _____ DWG. NO.: 103750 TOTAL: NONE TO NEXT SHEET SHEET 2 OF 2
--	--	---	---	---	--



**TABLE III**

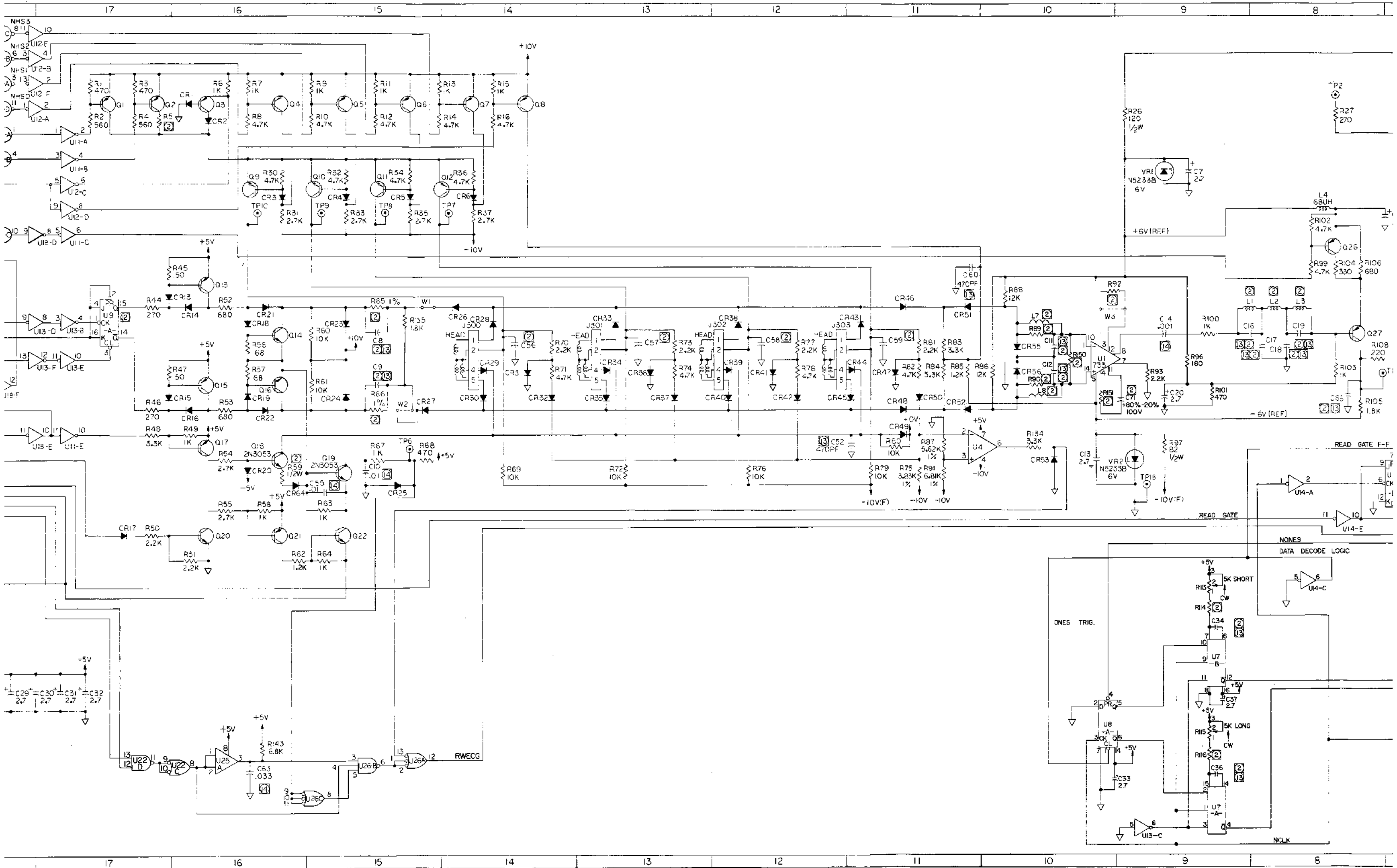
LAST USED	NOT USED
C78	C15,38 THRU 49,64,65,35,1 THRU 6,53,54,66,67,69,70,21
CR69	CR54,57 THRU 63,65,66,7 THRU 10,67,68
J305	
L8	
Q28	Q23,24,25
RI60	R94,95,98,117 THRU 133,17 THRU 25,28,29,38,39,40,106, R144 THRU 149,137,138 139 THRU 142
U30	U19,23,5,3,6,17, 20,21,24,
VR2	
W3	
TP25	TP3, 4, 5, 1, 12, 13, 20, 21, 22

**TABLE III (CONT'D)**

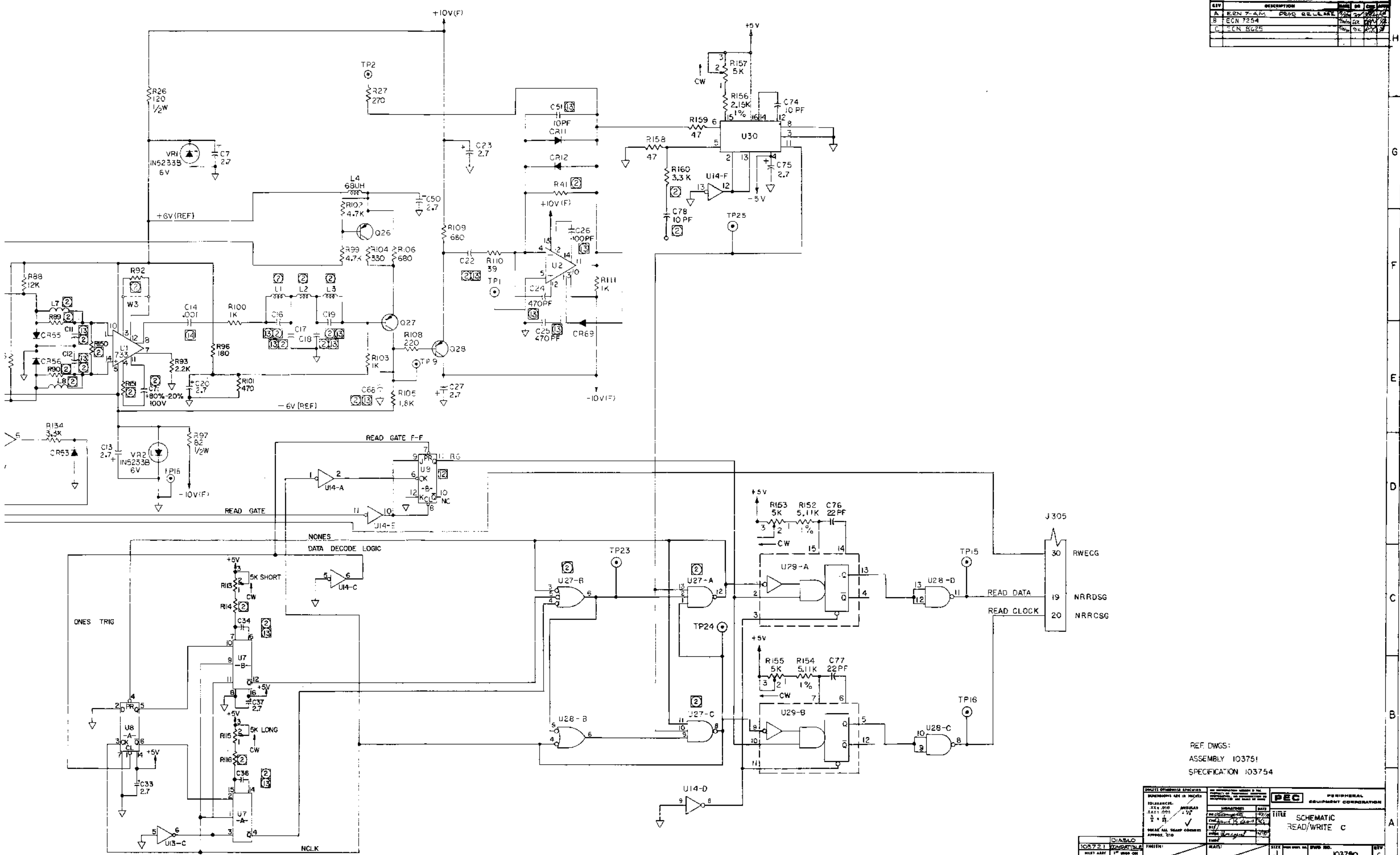
DELETED
C73

- 15 PIN 8 (U7,29) IS 0V.  
PIN 16 (U7,29) IS +5V.
  - 14 C10,14,55,63 ARE IN MICROFARADS ±10% 100 VDC.
  - 13 C5,21,24,25,52,60,68,51,26,22 34,36,11,12,16,19,8,9,17,18,74, 76,77,78 ARE IN PICOFARADS, 5%, 500VDC.
  - 12 PIN NO.5 (U9) IS +5V.  
PIN NO.13 (U9) IS 0V.
  - 11 FOR LAST USED AND DELETED REF DESIG., SEE TABLE III.
  - 10 CONNECTORS ARE NUMBERED FROM J300.
  - 9 PIN NO.7 OF ALL IC'S IS 0V.  
PIN NO.14 OF ALL IC'S IS +5V.
  - 8 ALL NPN TRANSISTORS ARE 2N4123.
  - 7 ALL PNP TRANSISTORS ARE 2N4125.
  - 6 ALL DIODES ARE IN4446.
  - 5 ALL CAPACITOR VALUES ARE IN MICROFARADS, 20%, 35VDC.
  - 4 ALL RESISTOR VALUES ARE IN OHMS, 5%, 1/4W.
  - 3 FOR PCBA, SEE DWG. NO. 103751.  
FOR SPEC., SEE DWG. NO. 103754.
  - 2 FOR VALUE, PART NO. AND USAGE OF COMPONENTS AFFECTED BY VERSION NO., SEE TABLE II.
  - 1 FOR PART NO. OF COMPONENTS NOT AFFECTED BY VERSION NO., SEE TABLE I.
- NOTES: UNLESS OTHERWISE SPECIFIED





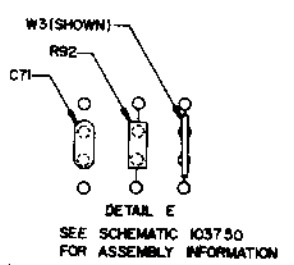
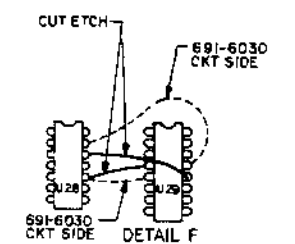
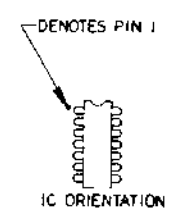
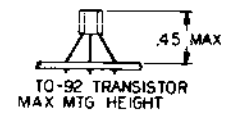
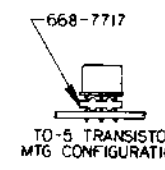
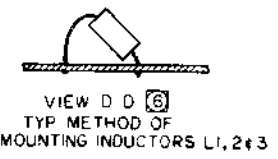
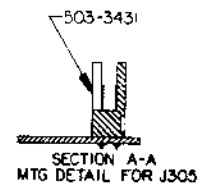
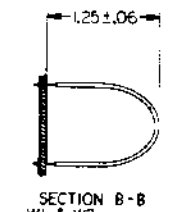
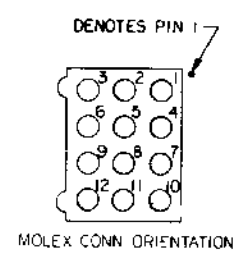
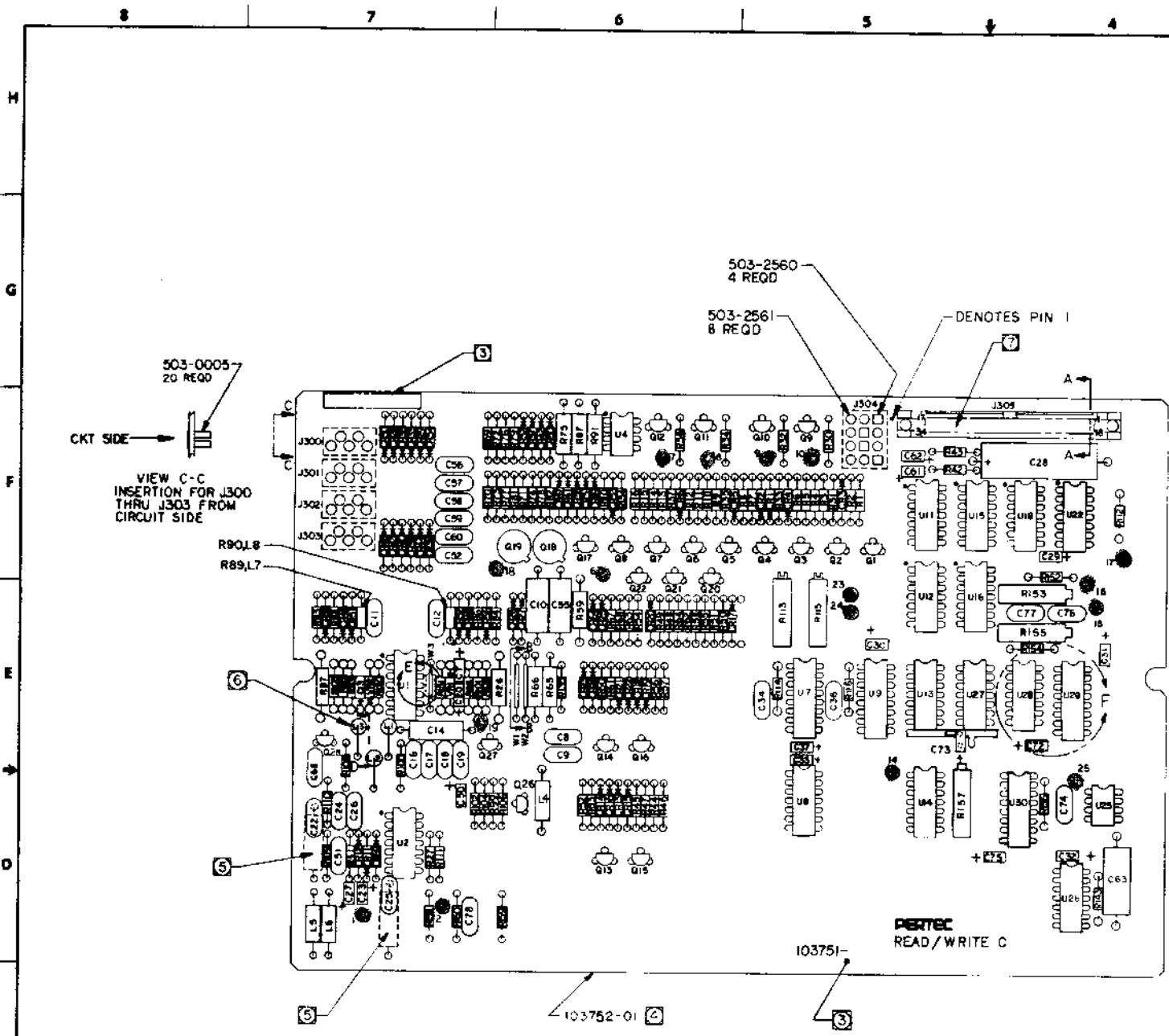
REV	DESCRIPTION	DATE	BY	CHK
A	ECN 7-AM			
B	ECN 7254			
C	ECN 8625			



REF DWGS:  
 ASSEMBLY 103751  
 SPECIFICATION 103754

DESIGNED BY: [ ] DRAWN BY: [ ] CHECKED BY: [ ] DATE: [ ]	APPROVED BY: [ ] DATE: [ ]	TITLE: SCHEMATIC READ/WRITE C	SIZE: 10 1/2 x 14 1/2 SHEET NO.: 103750 OF 1
---	-------------------------------	----------------------------------	--

REV		DESCRIPTION		DATE	BY	CHK	APP
4	REV 7-AM	PROD RELEASE					



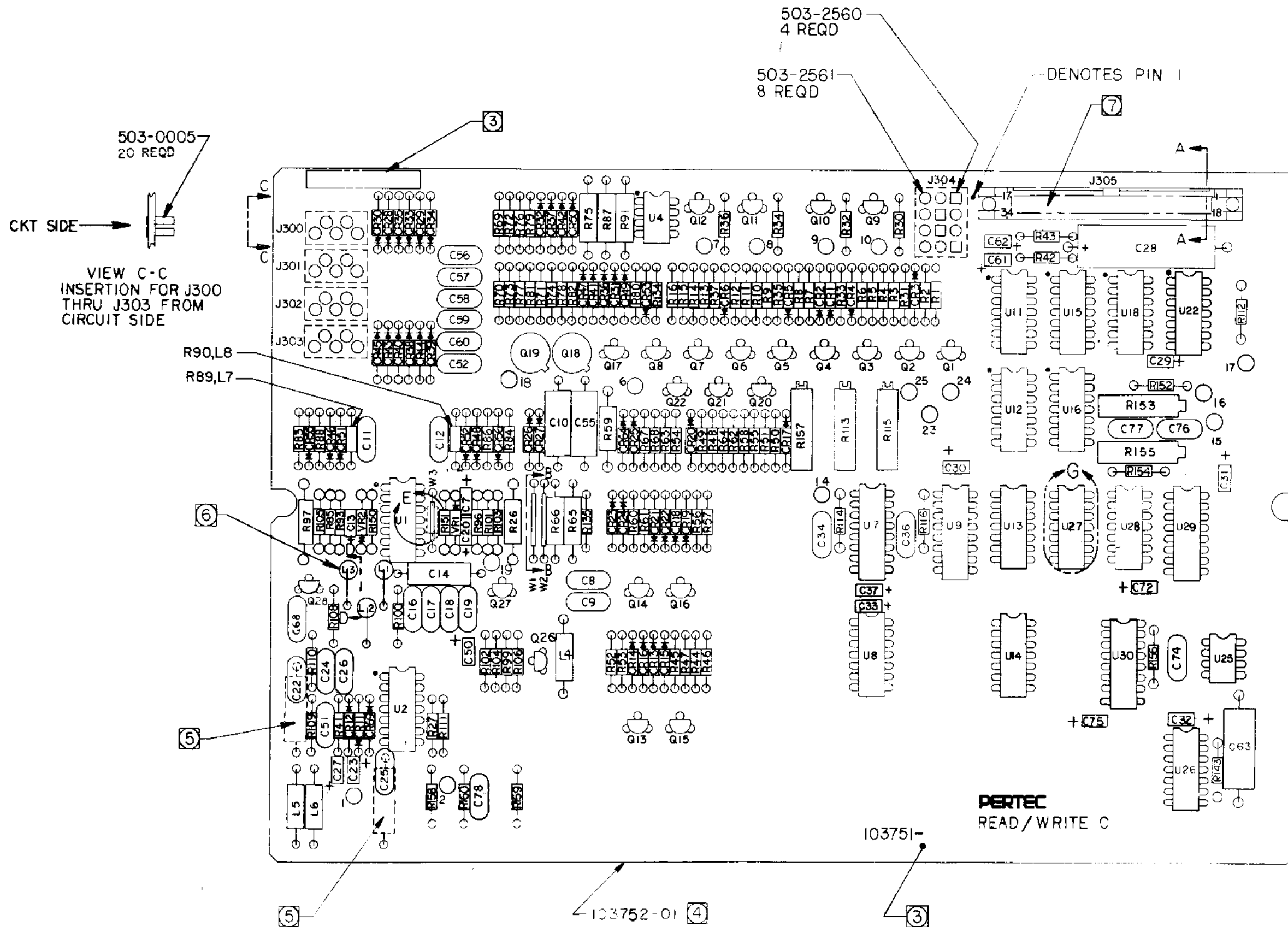
CUT ETCH BETWEEN U28-10 AND U29-4  
 CUT ETCH BETWEEN U28-12 AND U29-12  
 ADD JUMPER BETWEEN U28-10 AND U29-5  
 ADD JUMPER BETWEEN U28-13 AND U29-13

- 7 REMOVE PIN 31 FOR CONNECTOR KEYING.
  - 6 MOUNT L1, 2 & 3 ON END AS INDICATED IN VIEW D-D.
  - 5 C22 & 25 ALTERNATE CONFIGURATION SHOWN IN PHANTOM.
  - 4 THIS ASSY SHALL BE MADE FROM PROCESS BOARD 103752-01 REV A AND SUBSEQUENT.
  - 3 MARK PART ASSY VERSION NO. AND VERSION ISSUE LETTER.
2. ASSEMBLE PER STANDARD MFG METHODS.  
 1. REFERENCE DRAWINGS: SCHEMATIC 103750  
 SPECIFICATION 103754
- NOTES: UNLESS OTHERWISE SPECIFIED.

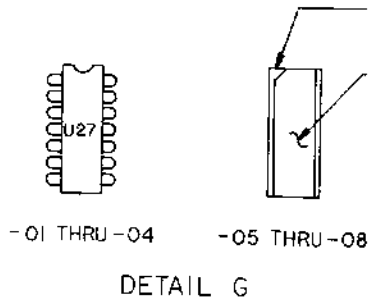
PART NO. 103751-03 REV 6  
 FOR ASSY VERSION INFORMATION SEE SCHEMATIC 103750  
 FOR LIST OF MATERIAL SEE LM103751 & APPLICABLE DASH NO.

REV		DESCRIPTION		DATE	BY	CHK	APP
TO ASSY		MATERIAL		DATE	BY	CHK	APP
APPROVED		MATERIAL		DATE	BY	CHK	APP

PERTEC PERIPHERAL EQUIPMENT	
TITLE PCBA READ/WRITE C	
REV E	DATE 10/31/71
BY A	APP A



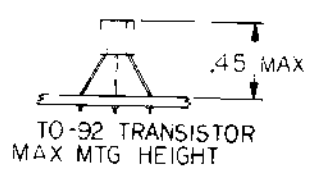
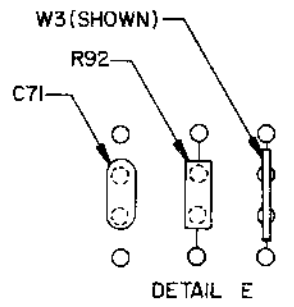
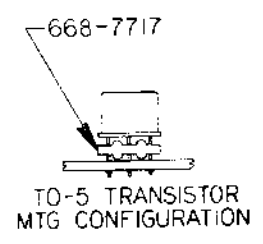
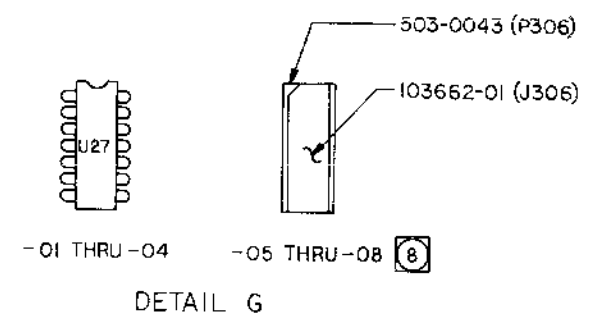
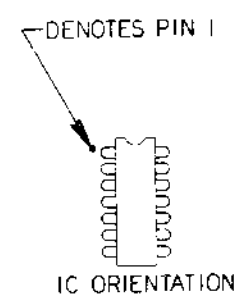
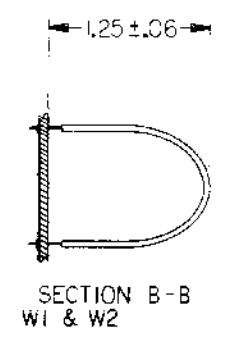
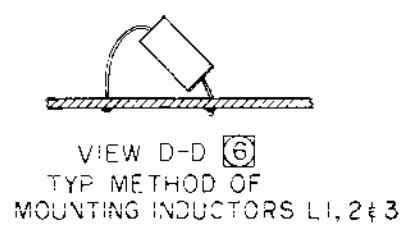
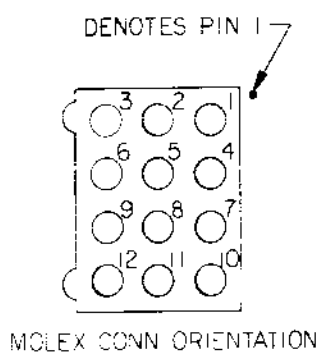
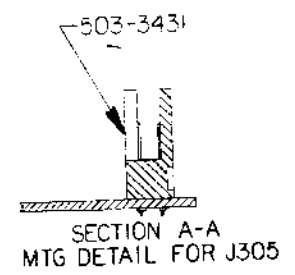
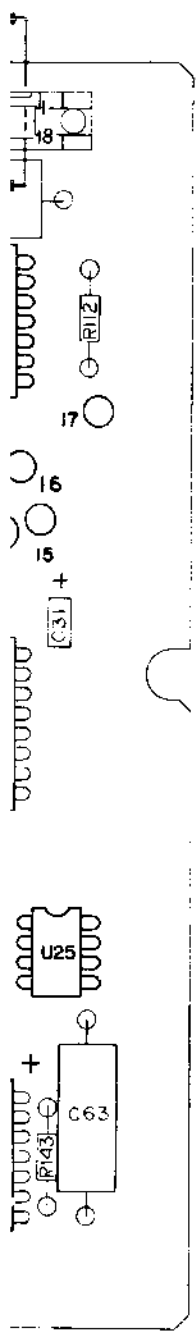
- ⑧ FOR VERSIONS -05 THRU U27 AS J306.
  - ⑦ REMOVE PIN 31 FOR CONNECTOR
  - ⑥ MOUNT L1, 2 & 3 ON END AS IN VIEW D-D.
  - ⑤ C22 & 25 ALTERNATE CONF SHOWN IN PHANTOM.
  - ④ THIS ASSY SHALL BE MADE FROM 103752 01 REV C AND SUBSEQUENT
  - ③ MARK PART ASSY VERSION NO AND VERSION ISSUE LETTER.
2. ASSEMBLE PER STANDARD MFG PRACTICES
1. REFERENCE DRAWINGS: SCHEMATIC, MECHANICAL, ELECTRICAL SPECIFICATIONS
- NOTES: UNLESS OTHERWISE SPECIFIED



PERTEC  
READ/WRITE C

REVISIONS					
REV	DESCRIPTION	DATE	DR	CHK	APPR
A	ERN 7-AM - PROD RELEASE	11-2-79	MEM		
B	ECN 7254	7/27/79	SDL		
C	ECN 7726	8/27/79	DMF		

- 8 FOR VERSIONS -05 THRU -08 REIDENTIFY U27 AS J306.
  - 7 REMOVE PIN 31 FOR CONNECTOR KEYING.
  - 6 MOUNT L1, 2 & 3 ON END AS INDICATED IN VIEW D-D.
  - 5 C22 & 25 ALTERNATE CONFIGURATION SHOWN IN PHANTOM.
  - 4 THIS ASSY SHALL BE MADE FROM PROCESS BOARD 103752-01 REV C AND SUBSEQUENT.
  - 3 MARK PART ASSY VERSION NO. AND VERSION ISSUE LETTER.
2. ASSEMBLE PER STANDARD MFG METHODS.
1. REFERENCE DRAWINGS: SCHEMATIC 103750 SPECIFICATION 103754
- NOTES: UNLESS OTHERWISE SPECIFIED.



PART NO. 103751-04 REV D

FOR ASSY VERSION INFORMATION SEE SCHEMATIC 103750  
FOR LIST OF MATERIAL SEE LM103751 & APPLICABLE DASH NO.

<small>The information herein is the property of PERTEC CORPORATION. No portion of this data shall be released, distributed, used, or duplicated, in any form or by any means, without the prior written consent of PERTEC.</small>	SIGNATURES	DATE	<b>PERTEC</b> PERIPHERAL EQUIPMENT TITLE PCBA READ/WRITE C
	DR: <i>Walter Mendenhall</i> ENGR: <i>James B. Rouse</i> PROJ ENGR: <i>Walter Mendenhall</i>	11-2-79 7/27/79 8/27/79	
<small>UNLESS OTHERWISE SPECIFIED:          DIMENSIONS ARE IN INCHES          TOLERANCES:          XX ± .005 ANGLE ± .02          X ± .010          Y ± .015          ALL DIMENSIONS UNLESS OTHERWISE SPECIFIED</small>	SCALE: 2/1 SHEET: 1 OF 1	PART: 103751 REV: C	SIZE: 103751 DWG NO: 103751 SCALE: 2/1 SHEET: 1 OF 1

SEE SCHEMATIC 103750 FOR ASSEMBLY INFORMATION

REV	REVISION	DATE	BY	CHKD	APP'D
A	ORIG. BY E. W. BROWN				
B	REV. 7/1/50				
C	REV. 7/1/50				
D	REV. 7/1/50				
E	REV. 7/1/50				

TABLE I

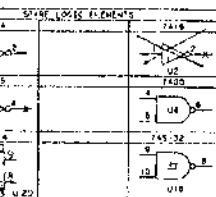
PART NO.	REFERENCE DESIGNATION
100-170A	R1, P, 3, 30, 31, 33
100-170B	R7, S, 8, 27
100-170C	R23
100-170D	R32
104-1801	R54
104-1900	R5, 23, 12, 10R, 20, 21, 22
104-1212	R21
104-1474	R14
104-1483	R19
104-1490	R1
104-1550	R25
104-1875	R10, 11
104-1883	R28
104-1882	R6
104-1900	R7
104-1855	R28
104-2013	R38
104-2010	R2, 5, 8
104-2014	C1, 2, 2A, 3R, 4, 7
104-2018	C2
104-2019	C7
104-2020	C1, 2, 3
104-2021	C4, 5, 8
104-2022	C6, 7, 9, 10
104-2023	C11, 12, 13
104-2024	C14, 15, 16
104-2025	C17, 18, 19
104-2026	C20, 21, 22, 23
104-2027	C24, 25, 26, 27, 28
104-2028	C29, 30, 31, 32
104-2029	C33, 34, 35, 36
104-2030	C37, 38, 39, 40
104-2031	C41, 42, 43, 44

TABLE II

ASSY IDENTIFICATION NUMBER	VERSION CHARACTERISTIC	OR THRU C74 C76 OR R7	R54 THRU R27 U10 THRU U19	U1	C8	J1	W1	W2
-01	250 PFT 1500RPM USE	OMIT	OMIT					
-02	200 PFT 1200RPM 2200RPM USE	OMIT	OMIT					
-03								
-04								
-05	200 PFT 1400 RPM USE	100-0000	68 PF	100-0000	100-0000	100-0000	100-0000	100-0000
-06	200 PFT 2400RPM USE	70-0004	45 PF	100-4500	100-0000			

TABLE III

PART NO.	REFERENCE DESIGNATION
100-170A	R30
100-170B	R30
104-1910	R37
104-2101	R34
104-2041	R9
104-2042	R9
104-2043	R9
104-2044	R9
104-2045	R9
104-2046	R9
104-2047	R9
104-2048	R9
104-2049	R9
104-2050	R9
104-2051	R9
104-2052	R9
104-2053	R9
104-2054	R9
104-2055	R9
104-2056	R9
104-2057	R9
104-2058	R9
104-2059	R9
104-2060	R9



REF DESIGNATION

LAST USED	NOT USED	DELETED
U2		
C18		
U1		
U4		
U8		
U10		
U12		
U14		
U16		
U18		
U20		

- 1. SUB IS USED TO REDUCE TEST TIME TO BE REMOVED AFTER TEST IS COMPLETE
  - 2. ALL DIODES ARE 1N4448.
  - 3. ALL PNP TRANSISTORS ARE 2N4120.
  - 4. ALL CAPACITOR VALUES ARE IN MICROFARADS, 100M, 20 VOLTS
  - 5. ALL RESISTOR VALUES ARE IN OHMS, 51%, 1/4WATT.
  - 6. ON ALL J.C.'S PIN NO.1 IS GND AND PIN NO.10 IS 90V.
  - 7. FOR PART NUMBER, SEE TABLE III
  - 8. FOR USAGE OF COMPONENTS AFFECTED BY VERSION NUMBER, SEE TABLE II.
  - 9. FOR PART NUMBER OF COMPONENTS NOT AFFECTED BY VERSION NUMBER, SEE TABLE I.
- NOTES: UNLESS OTHERWISE SPECIFIED

TERMINATOR MOUNT \_\_\_\_\_ 02496  
 THERM & WRITE COMP \_\_\_\_\_ 03577  
 SPECIFICATION NUMBER \_\_\_\_\_ 103440  
 REFERENCE DRAWING

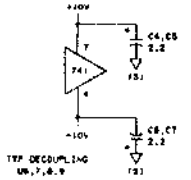
101001 03460  
 103440 03577  
 103440 03577  
 103440 03577

PERTEC RESEARCH EQUIPMENT

TITLE  
 SCHEMATIC  
 TEMPERATURE & WRITE  
 COMPENSATION

103440 03577

REV	DESCRIPTION	DATE
1	REVISED	
2	REVISED	
3	REVISED	

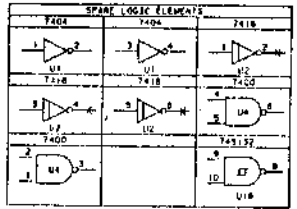


**TABLE II**

ASSY VERSION NUMBER	VERSION CHARACTERISTIC	CR THRU C14 OR R56 R14U R3P U11D U11U, U11V	USAF PART NO.	MILIT PART NO.
-01	200 TP1 1500RPM 2200 DP1 2400RPM	OML1		OMT1
-02				
-03				
-04				
-05	200 TP1 1500RPM 4400 DP1 1500RPM	USE		120-0006
-06	200 TP1 4400 DP1 2400RPM	URE		120-0008

**TABLE III**

PART NO.	REFERENCE DESIGNATION
100-492	U8
100-2812	R25
100-2813	R26
100-2814	R27
201-2811	R24
131-2605	R9
131-2444	R9 SIMU 14
200-1123	R8
201-4426	LR6
700-0132	U16, U18
700-1040	R10
700-1112	R12
700-1300	U15
700-1141	U11, U12, U13
103993-02	U13

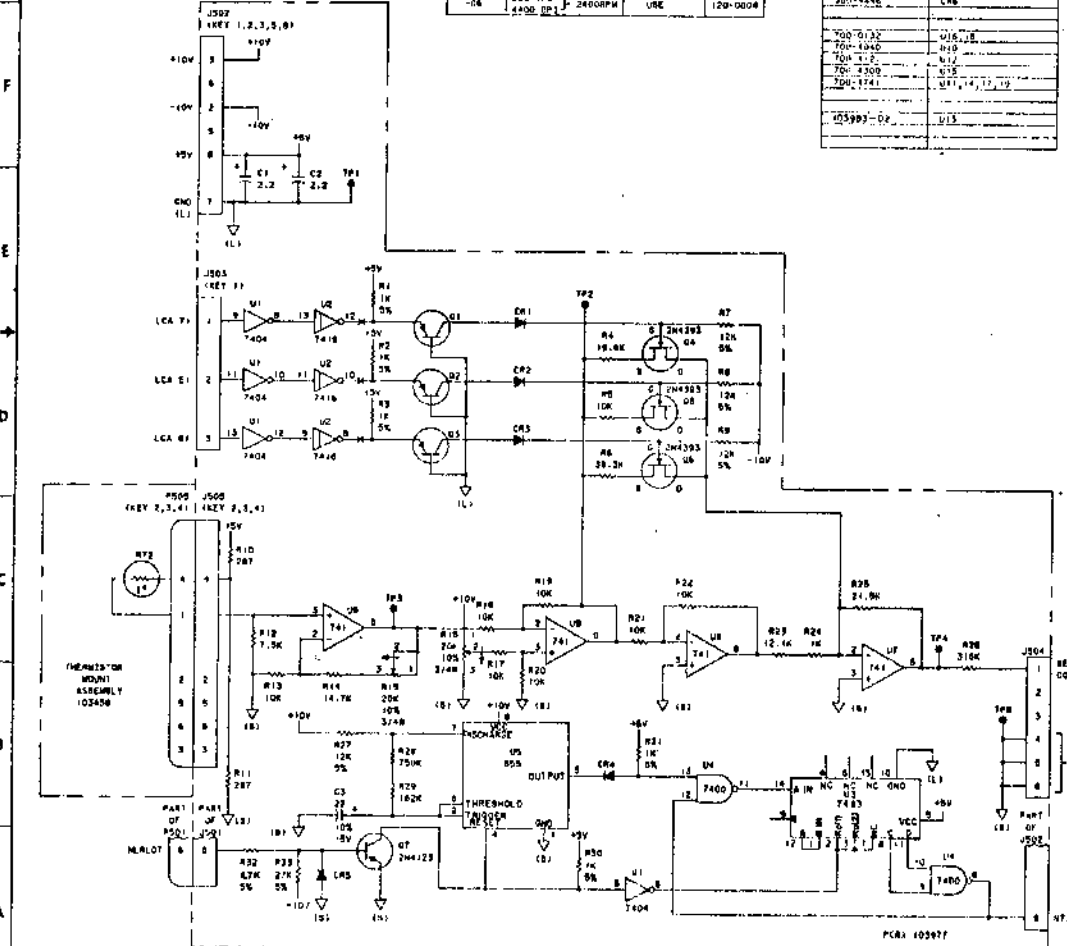


**TABLE I**

PART NO.	REFERENCE DESIGNATION
100-1025	R1, 2, 3, 20, 31
100-1235	R7, 8, 9, 27
100-2116	R15
100-4725	R12
104-2607	R74
104-2602	R6, 13, 17, 18, 20, 21, 22
104-1212	R73
104-1412	R14
104-1623	R19
104-1902	R4
104-2102	R75
104-2670	R10, 41
104-1168	R6, 9
104-1092	R6
104-1501	R12
104-1403	R28
21-2030	R15, 16
139-2744	C1, 2, 24, 100U, C7
138-2291	C9
200-1123	C7
200-1125	D1, 2, 3
704-1393	D4, 5, 6
300-1119	DI, THRU 8
400-0055	US
400-2741	U6, 7, 8, 9
700-7400	U4
700-7704	C1
700-74-16	U2
100-7-81	U3
700-11100	U1, ASSY MKT 103426
700-11100	U1, PACKAGE PART 103426
103427-01	R17

**REF DESIGNATION**

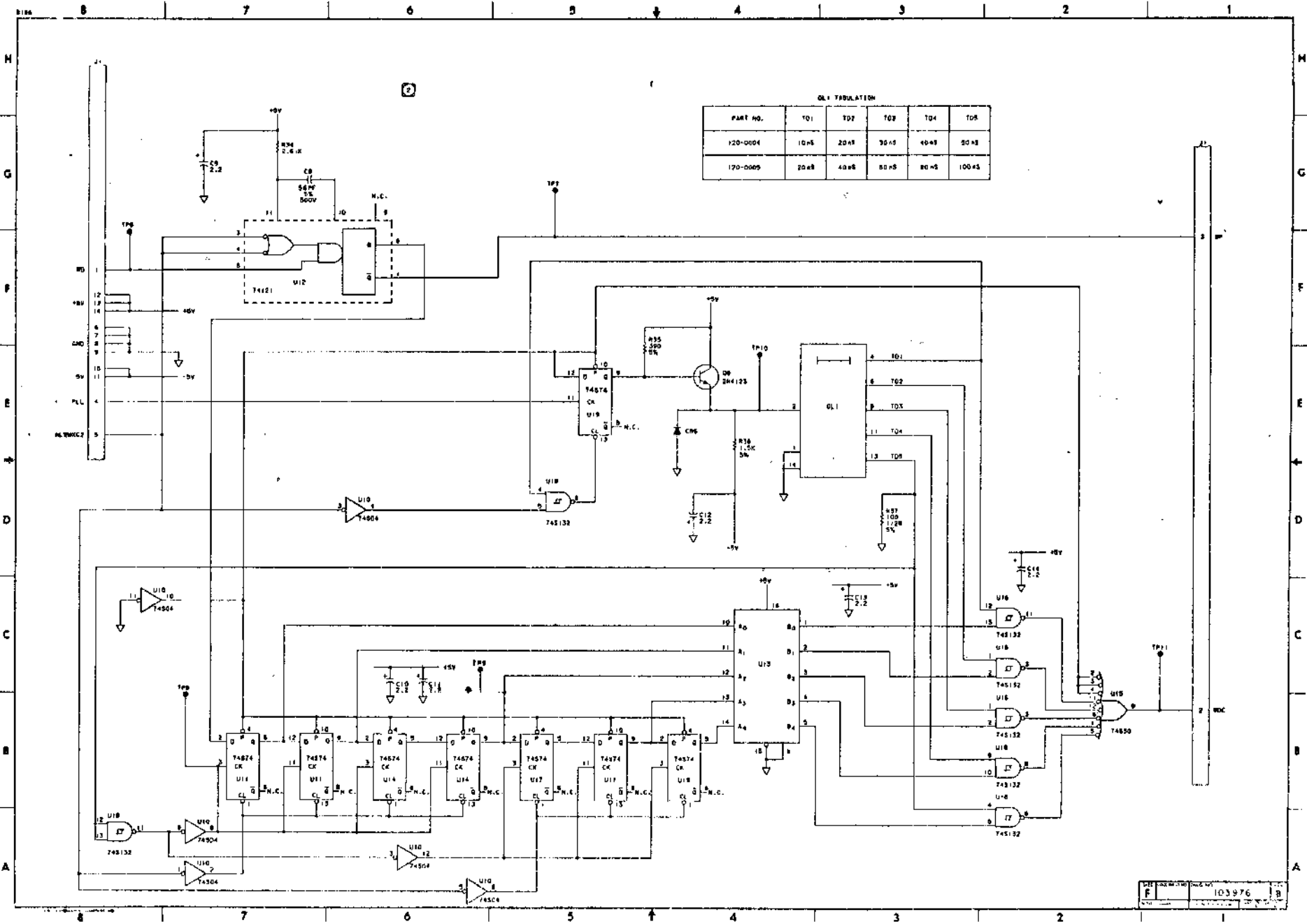
LAST USED	HOT USED	DELETED
C14		
C18		
C19		
U1		
U2		
R13	R1, 3	



- ALL DIODES ARE 1N4148.
  - ALL PNP TRANSISTORS ARE 2N4128.
  - ALL CAPACITOR VALUES ARE IN MICROFARADS, EXCEPT 20 VOLTS.
  - ALL RESISTOR VALUES ARE IN OHMS, KIL, OR MEG.
  - ON ALL I.C.'S PIN NO. 7 IS GND AND PIN NO. 10 IS +V.
  - FOR PART NUMBER, SEE TABLE III.
  - FOR USAGE OF COMPONENTS AFFECTED BY VERSION NUMBER, SEE TABLE II.
  - FOR PART NUMBER OF COMPONENTS NOT AFFECTED BY VERSION NUMBER, SEE TABLE I.
- NOTES: UNLESS OTHERWISE SPECIFIED

THERMISTOR MOUNT 103456  
 TEMP & WHITE COMP 103477  
 SPECIFICATION NUMBER 103990  
 REFERENCE DRAWING

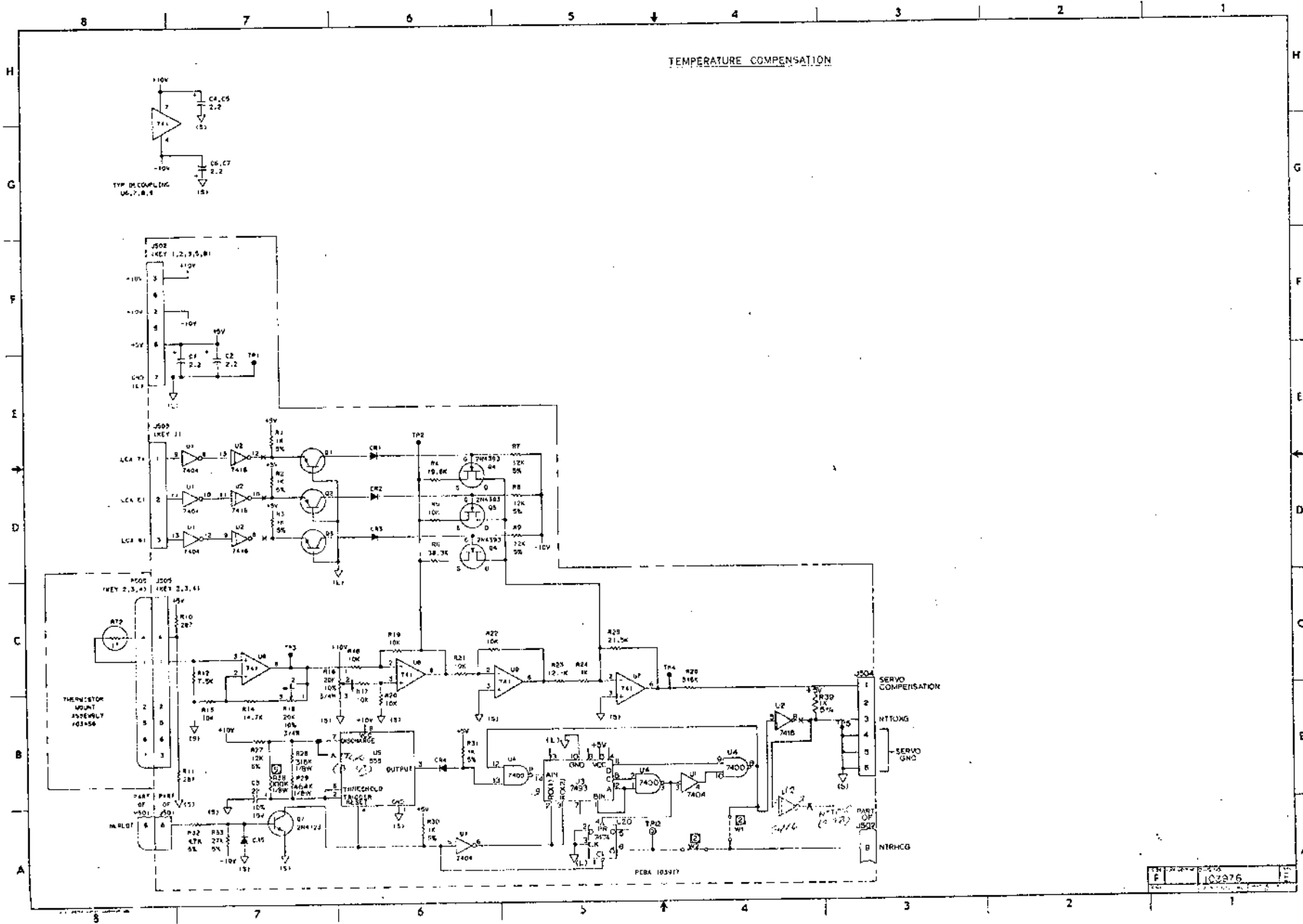
<p>PERTEC CORPORATION</p> <p>SCHEMATIC, TEMPERATURE &amp; WHITE COMPENSATION</p> <p>103977</p>	<p>DATE</p> <p>BY</p> <p>CHKD BY</p> <p>APPROVED BY</p>	<p>DATE</p> <p>BY</p> <p>CHKD BY</p> <p>APPROVED BY</p>
--	---	---

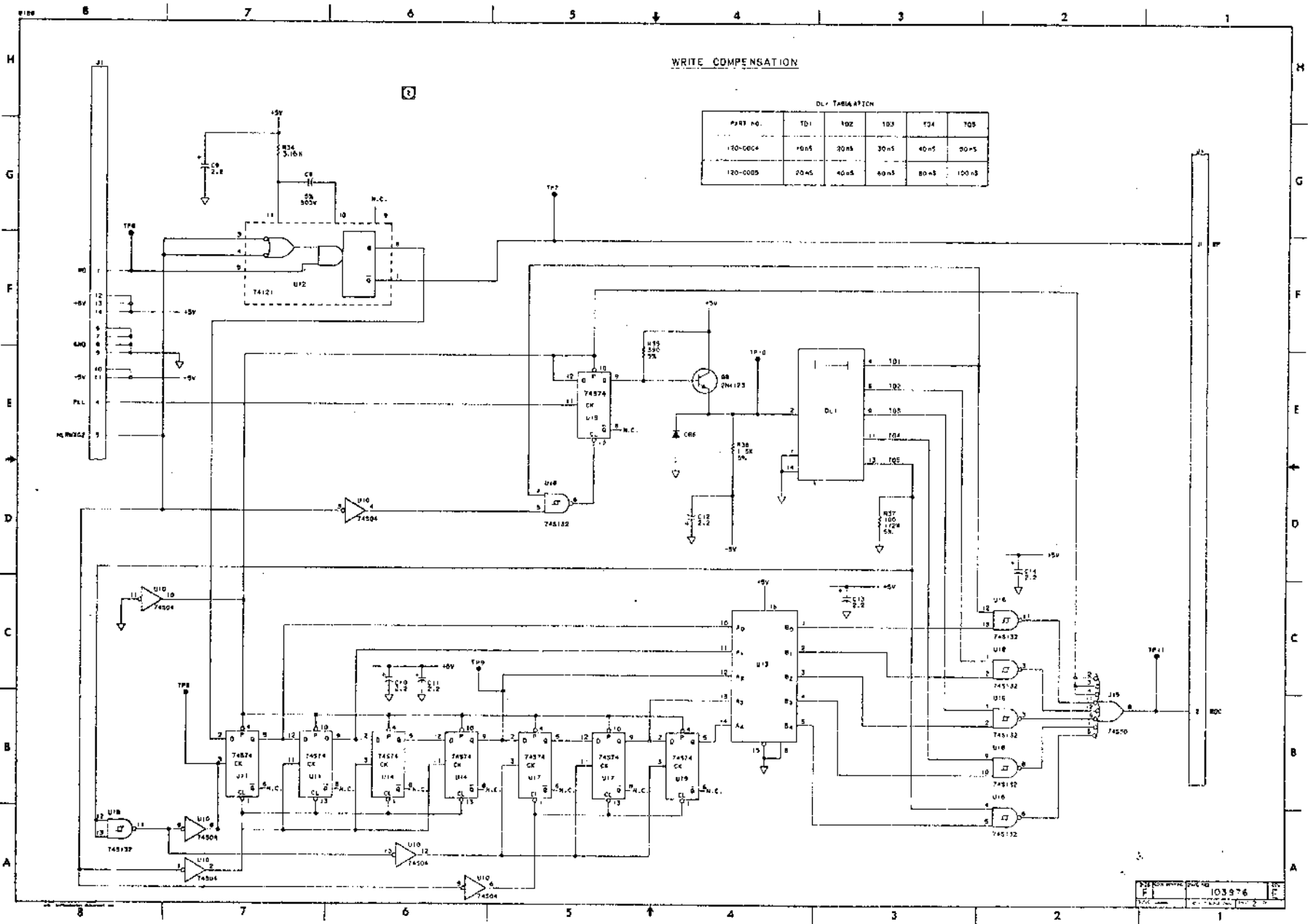


DL1 TABULATION

PART NO.	T01	T07	T09	T04	T08
120-0004	10x5	20x5	30x5	40x5	50x5
170-0009	20x8	40x8	60x8	80x8	100x8





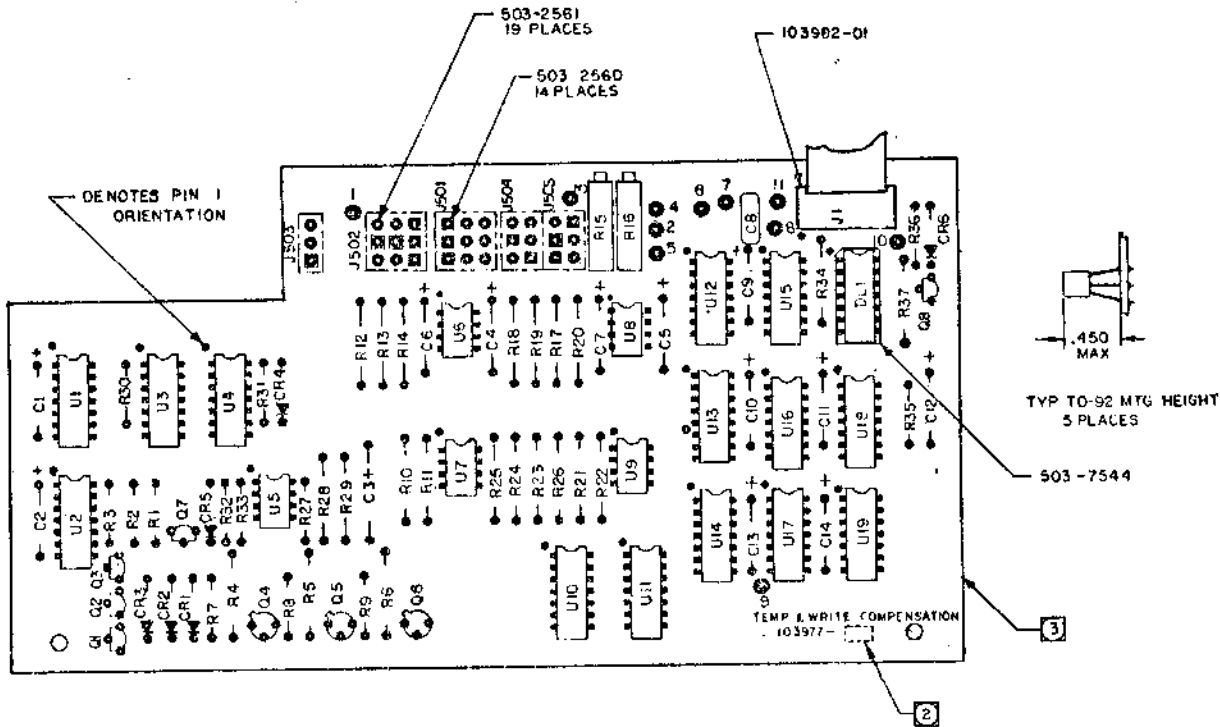


WRITE COMPENSATION

DL1 TABLE

Part No.	TD1	TD2	TD3	TD4	TD5
120-0004	10µS	20µS	30µS	40µS	50µS
120-0005	20µS	40µS	60µS	80µS	100µS

REV		DESCRIPTION	DATE	BY	CHEK	APPV
A		ERN 7444 PRODUCTION REL	7/24/77			
B		ECN 7775				



3 THIS ASSEMBLY SHALL BE MADE FROM PROCESS BOARD 103978-01 REV B AND SUBSEQUENT.

2 MARK VERSION NO. AND VERSION ISSUE LETTER.

1 ASSEMBLE PER STANDARD MFG METHODS.

NOTES: UNLESS OTHERWISE SPECIFIED

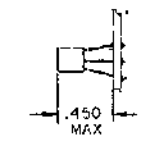
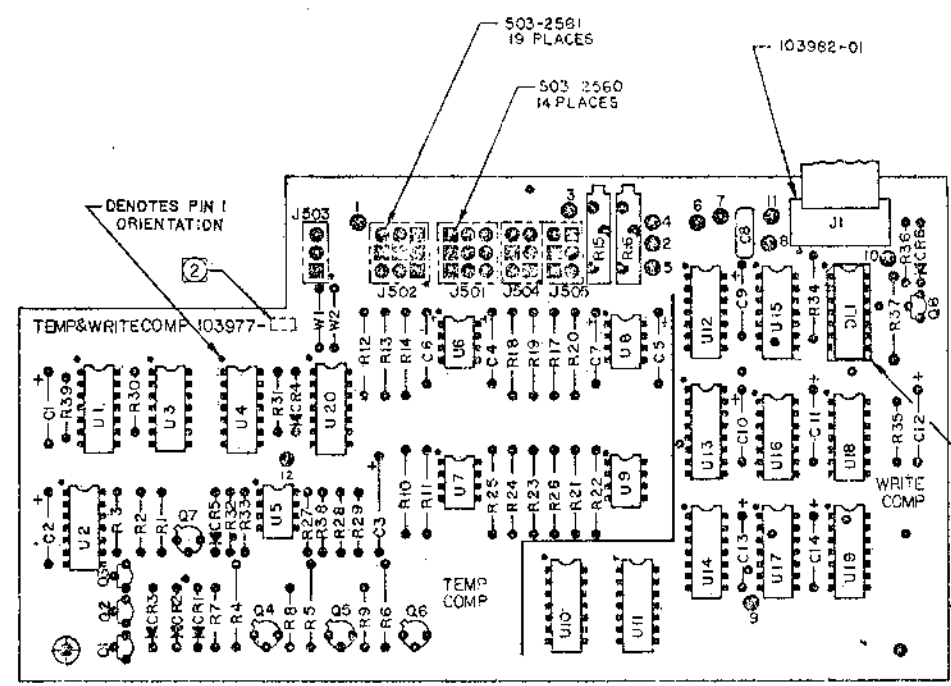
SPECIFICATION 103980  
SCHEMATIC 103976  
REF. DRAWINGS

PART NO. 103977-01 REV B

DESIGN	D8000
DATE	7/24/77
BY	
CHECKED	
APPROVED	
APPLICATION	

SIGNATURES		DATE	PERTEC PERIPHERAL EQUIPMENT
DESIGNED BY		7/24/77	
CHECKED BY			
APPROVED BY			
DATE			
TITLE	PCBA		
TEMPERATURE AND WRITE COMPENSATION			
SCALE	1:1		
REV			
REV			
REV			
REV			
REV			

REVISIONS				
REV	DESCRIPTION	DATE	DR	CHK APPR
A	ECN 7-114 PRODUCTION REL			
B	ECN 7-913			
C	ECN 8-26-69			
D	ECN 8-46-4			
E	ECN 8-5-1			



TYP TO-92 MTG HEIGHT  
5 PLACES

SPECIFICATION 103980  
SCHEMATIC 103976  
REF DRAWINGS

PART NO. 103977-01 REV G+EW  
8929

THIS ASSEMBLY SHALL BE MADE FROM PROCESS BOARD  
PART 103977-01 REV D AND SUBSEQUENT.

MARK VERSION NO. AND VERSION ISSUE LETTER.

ASSEMBLE PER STANDARD MFG METHODS.

NOTES: UNLESS OTHERWISE SPECIFIED

SIGNATURES		DATE	PERTEC PERIPHERAL EQUIPMENT	
DESIGNED BY		DATE	TITLE	
CHECKED BY		DATE	FCBA	
APPROVED BY		DATE	TEMPERATURE AND WRITE	
DATE		DATE	COMPENSATION	
PART / QTY		DATE	SIZE	SUBORDINATE
APPLICATION		DATE	D	PAGE NO.
		DATE	SEE L M	103977
		DATE		REV
		DATE		E

103977

A