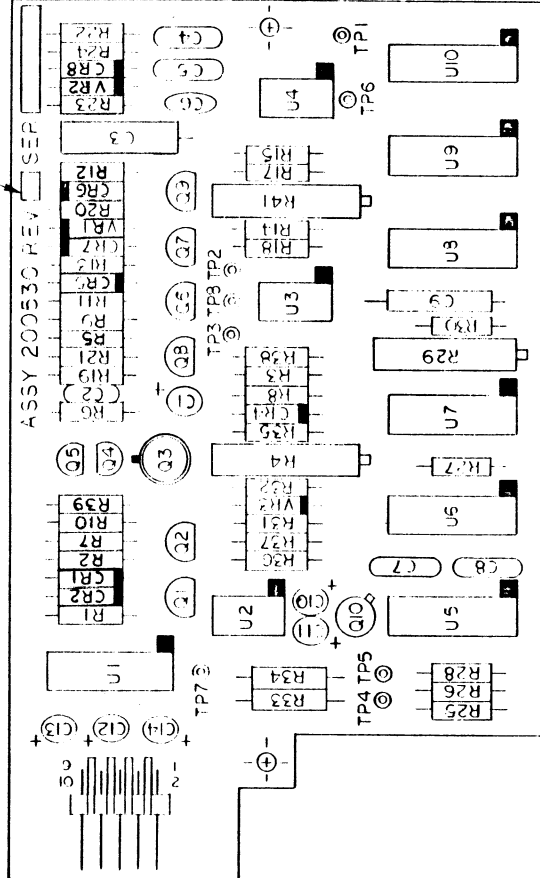


| REVISIONS |                           | 200530 J      |
|-----------|---------------------------|---------------|
| REV       | DESCRIPTION               | CHK/DATE/APPR |
| X2        | EXP RELEASE               |               |
| A         | 1st RELEASE               |               |
| B         | ECO 270                   |               |
| C         | ECO 295                   |               |
| D         | ECO 302                   |               |
| E         | ECO 311                   |               |
| F         | SUFFIX ECO 315 REMOVE DRG |               |
| G         | SUFFIX ECO 315 REMOVE DRG |               |
| H         | ECO 317                   |               |
| J         | ECO 378                   |               |



- ③ REMOVE KEYING PINS PRIOR TO INSTALLATION ON PCB
- 2. SCHEMATIC REF 200531.
- ④ MARK REVISION AND SERIAL NUMBERS  
 .12 HIGH BLACK CHARACTERS IN AREA SHOWN.  
 UNLESS OTHERWISE SPECIFIED:

PART NO TO BE 200530

| NOTES UNLESS SPECIFIED  | DRAWN | CHECK | APPR. | MATERIAL | FINISH | MODEL NO.                     | SCALE | SIZE | WEIGHT | SHEET 1 OF 1 |
|---|-------|-------|-------|----------|--------|-------------------------------|-------|------|--------|--------------|
| 1. TOLERANCES<br>.XX ±<br>.XXX ±<br>2. BREAK ALL SHARP<br>EDGES APPROX .010<br>3. MASK SURFACES ✓<br>4. ALL DIMS IN INCHES. |       |       |       |          |        | 270/277/299                   | 2:1   | C    | 200530 |              |
|   |       |       |       |          |        | NEXT ASSY<br>200134<br>200297 |       |      |        |              |
|   |       |       |       |          |        |                               |       |      |        |              |
|   |       |       |       |          |        |                               |       |      |        |              |
|   |       |       |       |          |        |                               |       |      |        |              |



PerSci Incorporated

ASSEMBLY PCB  
 DOUBLE DENSITY  
 DATA SEPARATOR

SCALE 2:1  
 SIZE C  
 WEIGHT

CODE

J

QTY/REQ

1