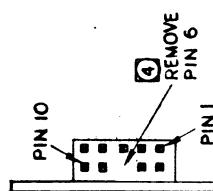
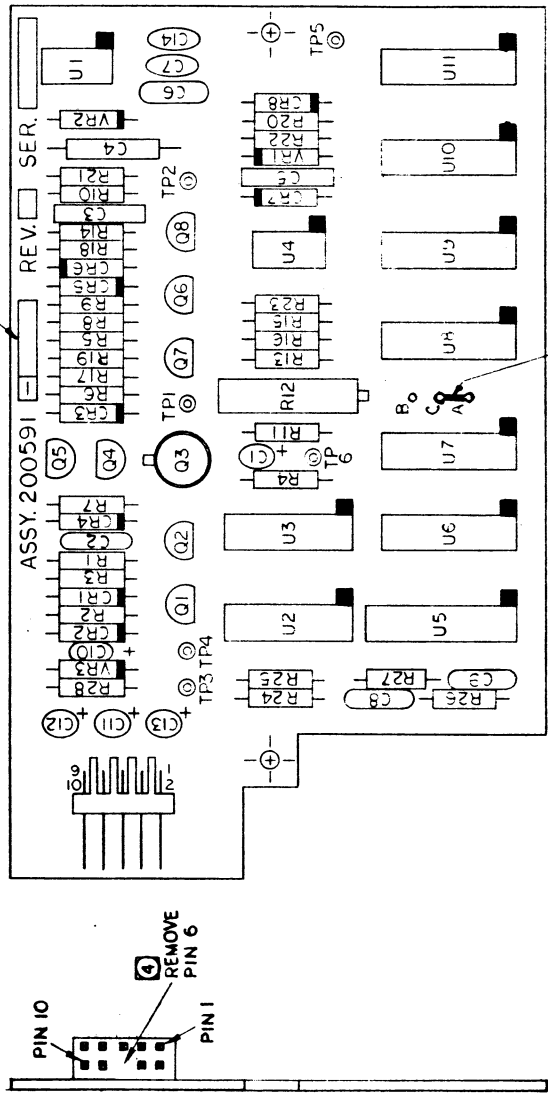


REVOLUTIONS		200591	J
REV	DESCRIPTION	CHK	DATE
X1	EXP RELEASE	JK	9/1/79
A	MFG RELEASE NO CHG.	JK	9/1/79
B	ECO 233	JK	9/1/79
C	ECO 271	JK	9/1/79
D	ECO 321	JK	9/1/79
E	ECO 378	JK	9/1/79
F	ECO 502	JK	9/1/79
G	ECO 537	JK	9/1/79
H	ECO 580	JK	9/1/79
I	ECO 576	JK	9/1/79



- 1 REMOVE KEYING PINS PRIOR TO INSTALLATION ON PCB.
- 3. SCHEMATIC REF 200592.
- 2 THE JUMPER BETWEEN A & C IS AN ETCHED CONDUCTOR. WHEN ANY OTHER JUMPER LOCATION IS REQUIRED - (SEE TABULATED M/L) CUT AWAY ETCH TRACE AND ADD JUMPER WIRE.
- 0 MARK DASH VERSION, REVISION AND SERIAL NUMBER J2 HIGH BLACK CHARACTERS IN AREA SHOWN. UNLESS OTHERWISE SPECIFIED;

PART NO. TO BE 200591 -XXX

NOTES UNLESS SPECIFIED		DRAWN	CHK	APPR.	MATERIAL	FINISH	MODEL NO.	SCALE	SIZE	PERSCI	PerSci Inc	CODE
1. TOLERANCES .XX ± .XXX ± 2. BREAK ALL SHARP EDGES APPROX .010 3. MASH SURFACES ✓ 4. ALL DIMS IN INCHES.							270,277,286,299A2/B	2:1	200591	(CHARTED)		J
		NEXT ASSY		200131		200597, 200800, 200801		DO NOT SCALE THIS DRAWING		WEIGHT		SHEET 1 OF 1