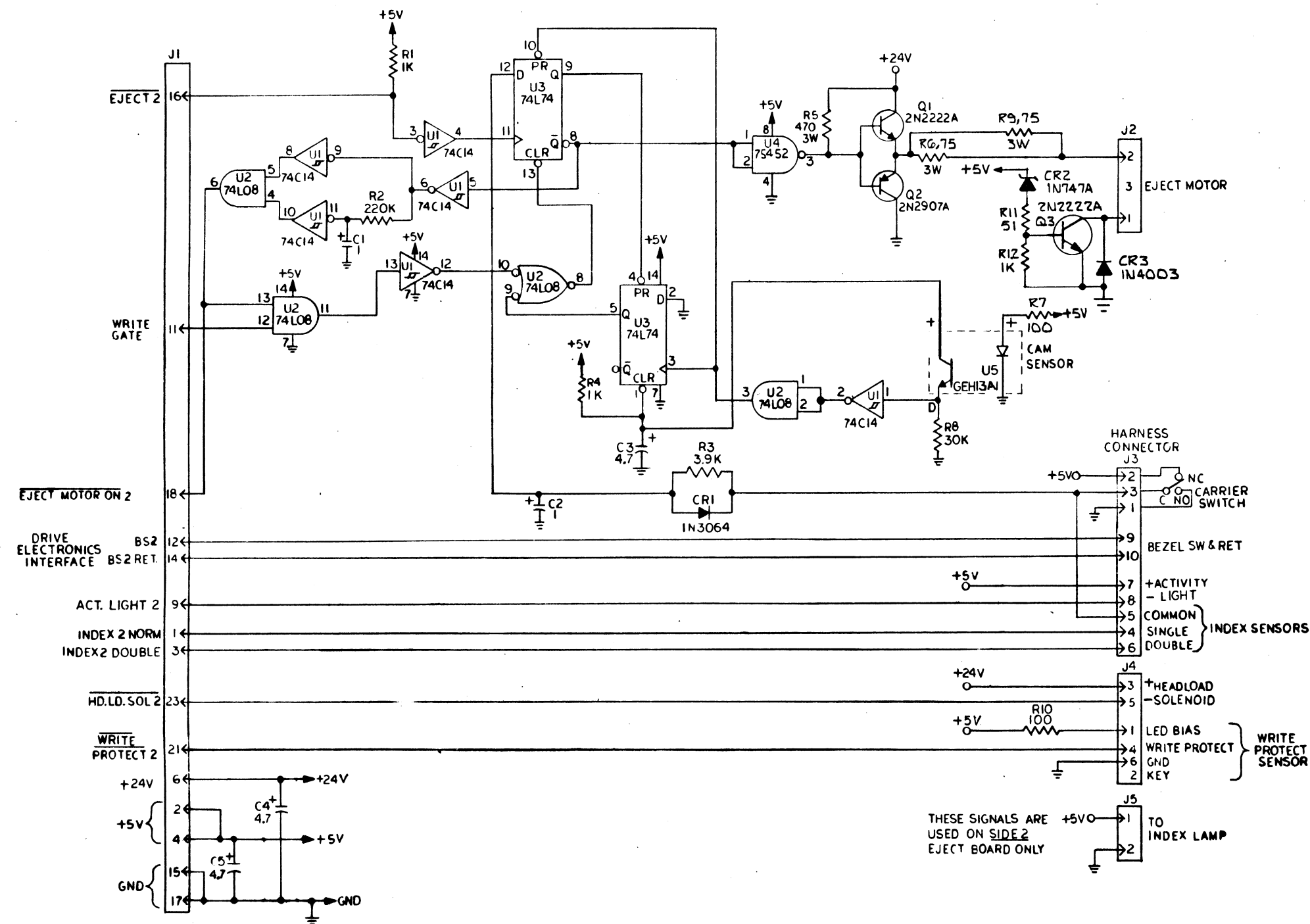


REVISIONS				
REV.	DESCRIPTION	CHK.	DATE	APPROVED
A	ENG. REL. SEE ECO 386			
B	ECO 412			
C	ECO 515			
D	ECO 529			



2. CAPACITOR IN MICROFARADS.
 1. RESISTORS IN OHMS, 1/4W, 5%
 NOTES: UNLESS OTHERWISE SPECIFIED.

LAST USED	DELETED
U5	
Q3	
CR3	
C5	
R12	
J5	

PART NUMBER

NOTES UNLESS SPECIFIED	DRAWN	POWERS-A 387		PerSci Incorporated						
1. TOLERANCES XX± XXX±	CHECK	4/5/75		SCHEMATIC EJECT & HARNESS BD SIDE 2		CODE 108 GTY				
2. BREAK ALL SHARP EDGES APPROX. .010	APPR.		MODEL NO			299 B	SCALE	NONE	SIZE	D
3. MACH. SURFACES	FITNESS		NEXT ASSY	200749	WEIGHT	SMT		OF		
4. ALL DIMS IN INCHES.										
5. DIMENSIONS APPLY AFTER FINISH AND HEAT TREAT										

200785 D