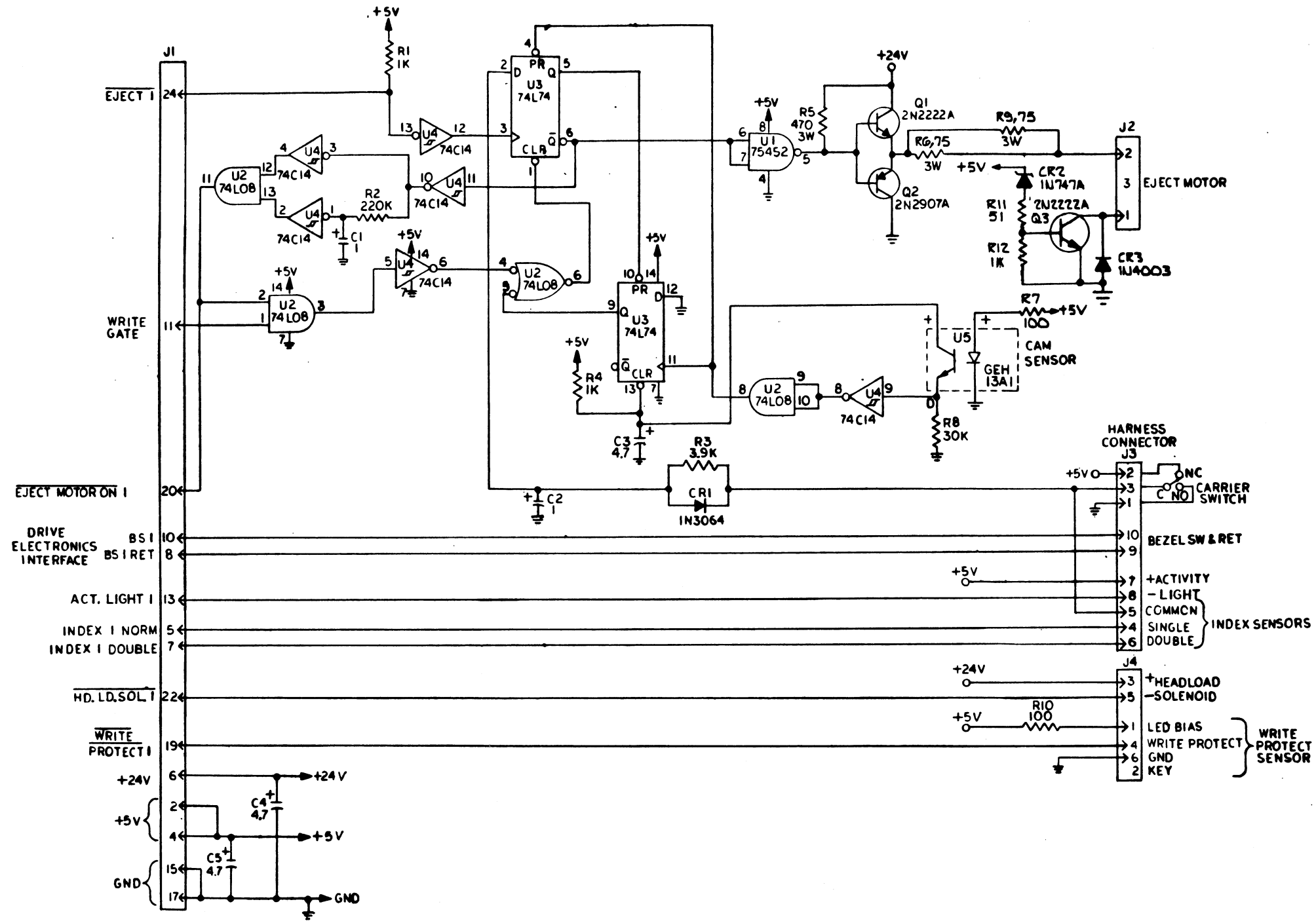


REVISIONS				200784 D	
REV	DESCRIPTION	CHK.	DATE	APPROVED	
A	ENG. REL. SEE ECO 387	K.T.	3/20/79		
B	ECO 412		7/27/79		
C	ECO 515	VET	11/15/79		
D	ECO 529	M.H.	1/10/80		



2. CAPACITORS IN MICROFARADS.
 1. RESISTORS IN OHMS, 1/4W, 5%.
 NOTES: UNLESS OTHERWISE SPECIFIED.

LAST USED	DELETED
U5	
Q3	
CR3	
C5	
R12	
J4	

PART NUMBER

NOTES UNLESS SPECIFIED	DRAWN POWERS-A 3-9-79		PerSci Incorporated
1. TOLERANCES XX± ANGULAR XXX±	CHECK 2/21/80		
2. BREAK ALL SHARP EDGES APPROX. .010	APP. 1/1/80	SCHEMATIC, PCB EJECT & HARNESS BD SIDE 1	
3. MACH. SURFACES -✓	MATERIAL	MODEL NO 299 B	SCALE NONE
4. ALL DIMS IN INCHES.	FINISH	NEXT ASSY 200746	SIZE D 200784
5. DIMENSIONS APPLY AFTER FINISH AND HEAT TREAT			WEIGHT
			SMT OF

200784 D