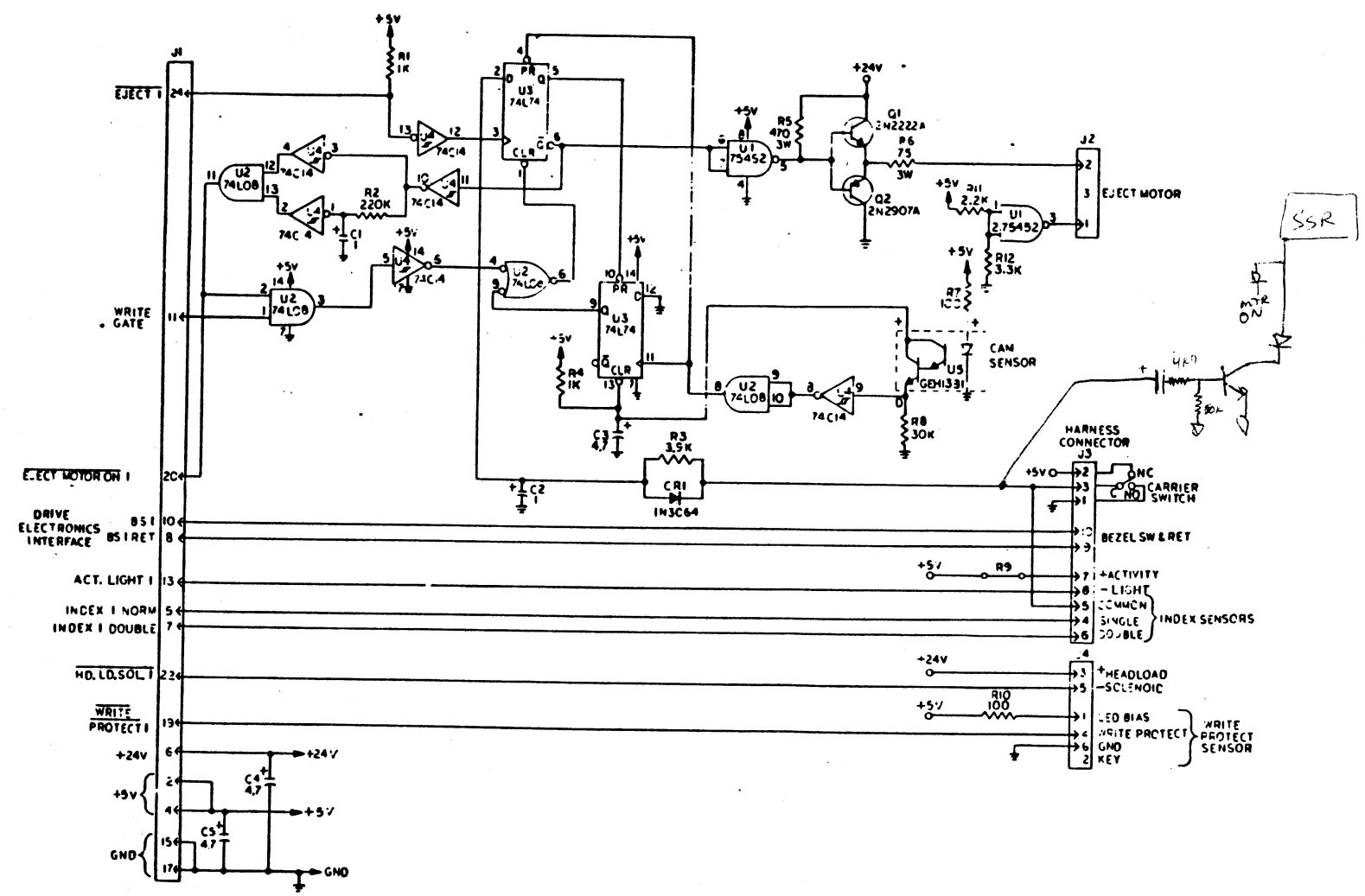


REV	DESCRIPTION	DATE	APPROVED
A	ENG. MEL	SEE FIG 387	2/78



LAST USED	DELETED
U5	
Q2	
CRI	
C3	
R12	
J4	

299

NOTES UNLESS SPECIFIED		PART NUMBER	
1. TOLERANCES UNLESS OTHERWISE SPECIFIED	2. BREAK ALL SHARP EDGES APPROX .010	3. MATCH SURFACES	4. ALL DIMS IN INCHES
5. DIMENSIONS APPLY AFTER FINISH AND HEAT TREAT			
FINISH	SCALE	SIZE	WEIGHT
MODEL NO 299B		200784	
PART ASSY 200746			
PERSCI		PerSci Incorporated	
SCHEMATIC, PCB EJECT & HARNESS 80 SIDE 1		CODE	REV
		A	
		SHEET	OF 1

200784 | A