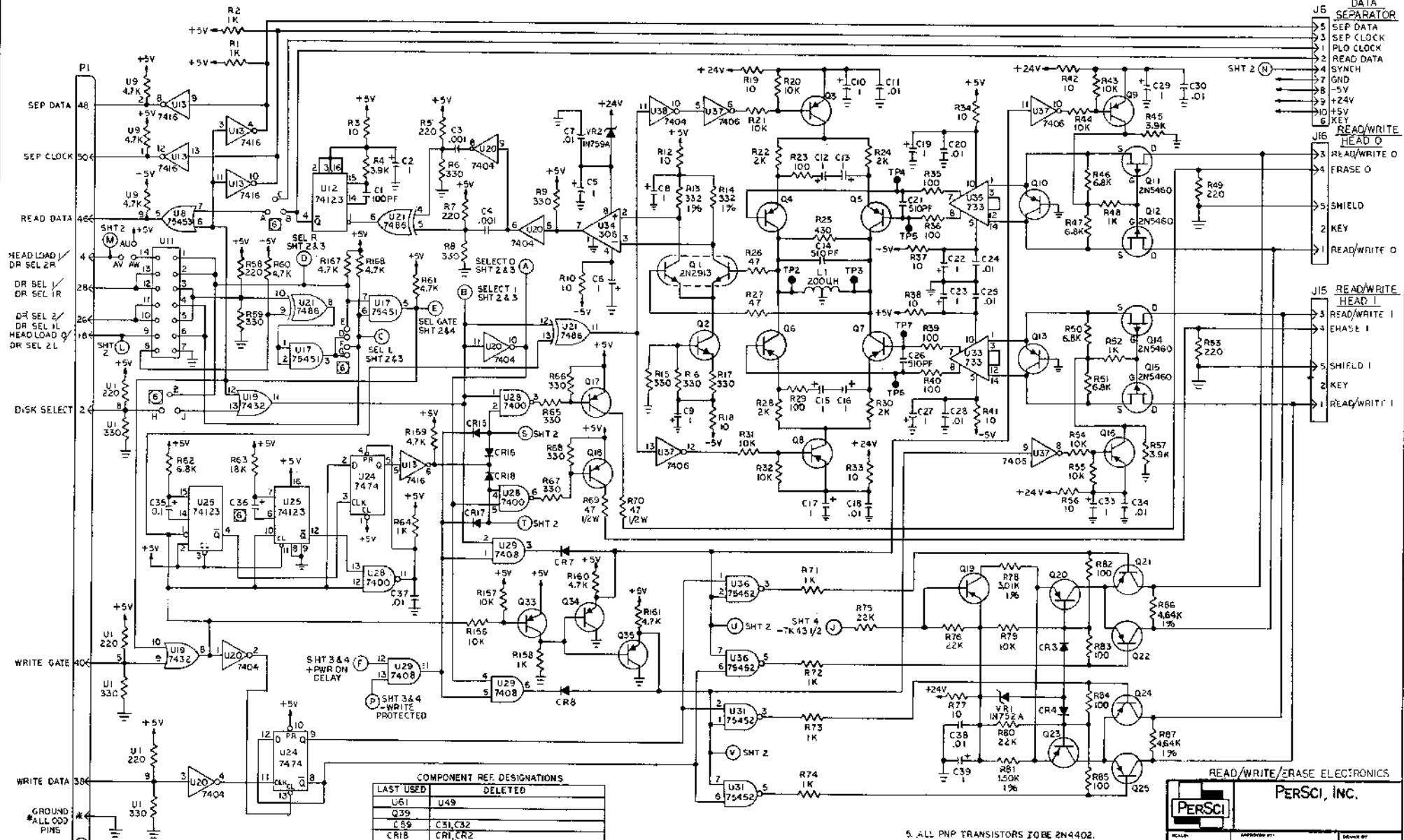




Logic & Schematic Diagram
Diskette Drive
Models 270/272/277



COMPONENT REF. DESIGNATIONS

LAST USED	DELETED
U61	U49
Q39	
C59	C31, C32
CR18	CR1, CR2
VR4	
R17	R11
TP	
L1	

FOR VARIABLE COMP VALUES AND JUMPER LOCATIONS SEE TABULATED M/L.

- 5. ALL PNP TRANSISTORS TO BE 2N4402.
- 4. ALL NPN TRANSISTORS TO BE 2N4400.
- 3. ALL DIODES TO BE 1N9064.
- 2. ALL CAPACITORS IN MICROFARADS.
- 1. ALL RESISTORS IN OHMS, 1/4W, 5% UNLESS OTHERWISE SPECIFIED.

READ/WRITE/ERASE ELECTRONICS

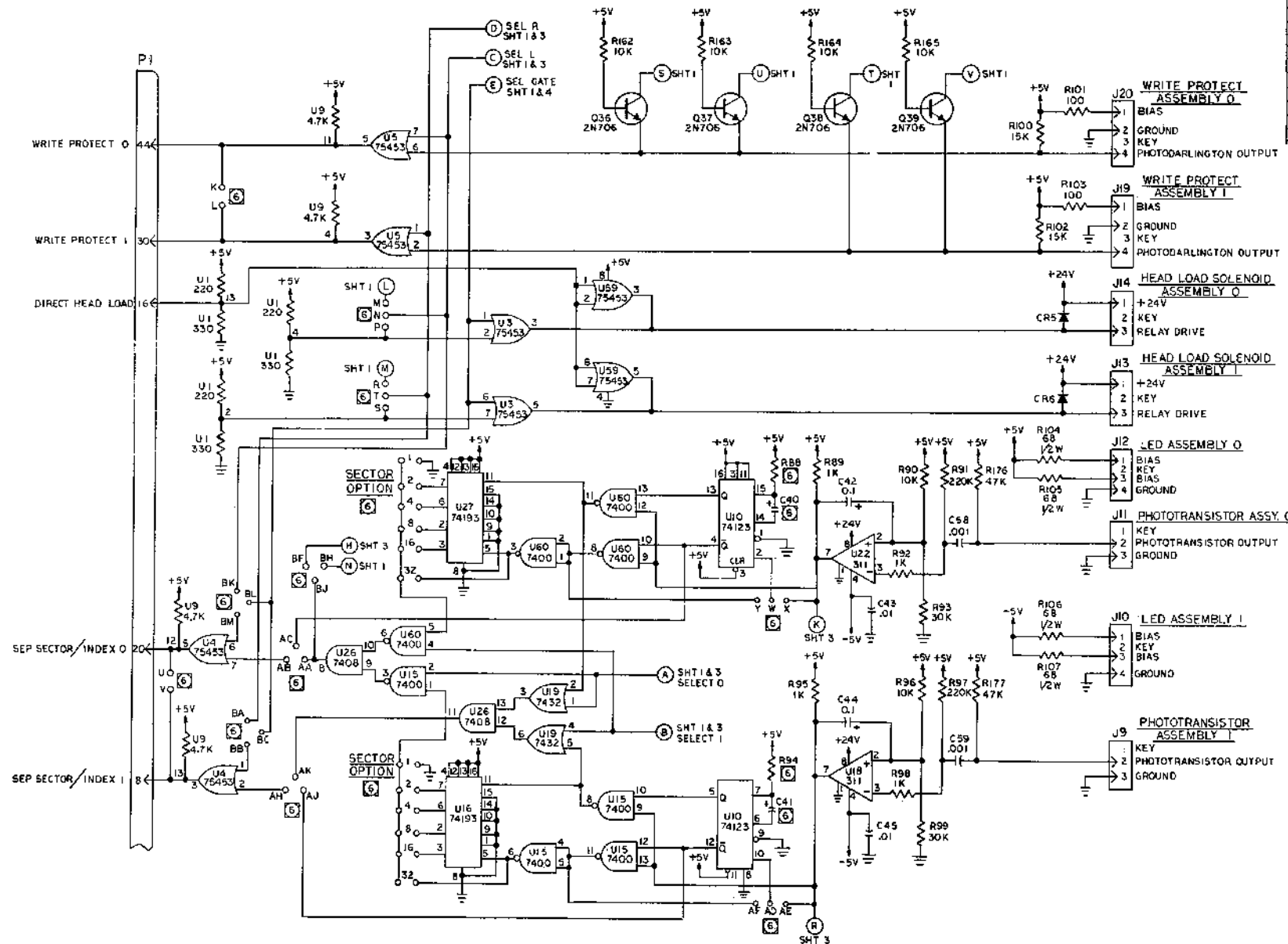
PERSCI, INC.

SCHEMATIC, PCB, DATA & INTERFACE

MOD 270/272/277 SHT 1 OF 4

200264 K

REVISION		200264	K
REV	DESCRIPTION	CHK	DATE APPROVED
A	MFG REL		
B	ECO #12		
C	ECO #15		
D	ECO #45		
E	ECO #57		
F	ECO #59		
G	ECO #129		
H	ECO #134		
J	ECO #156		
K	ECO #188		

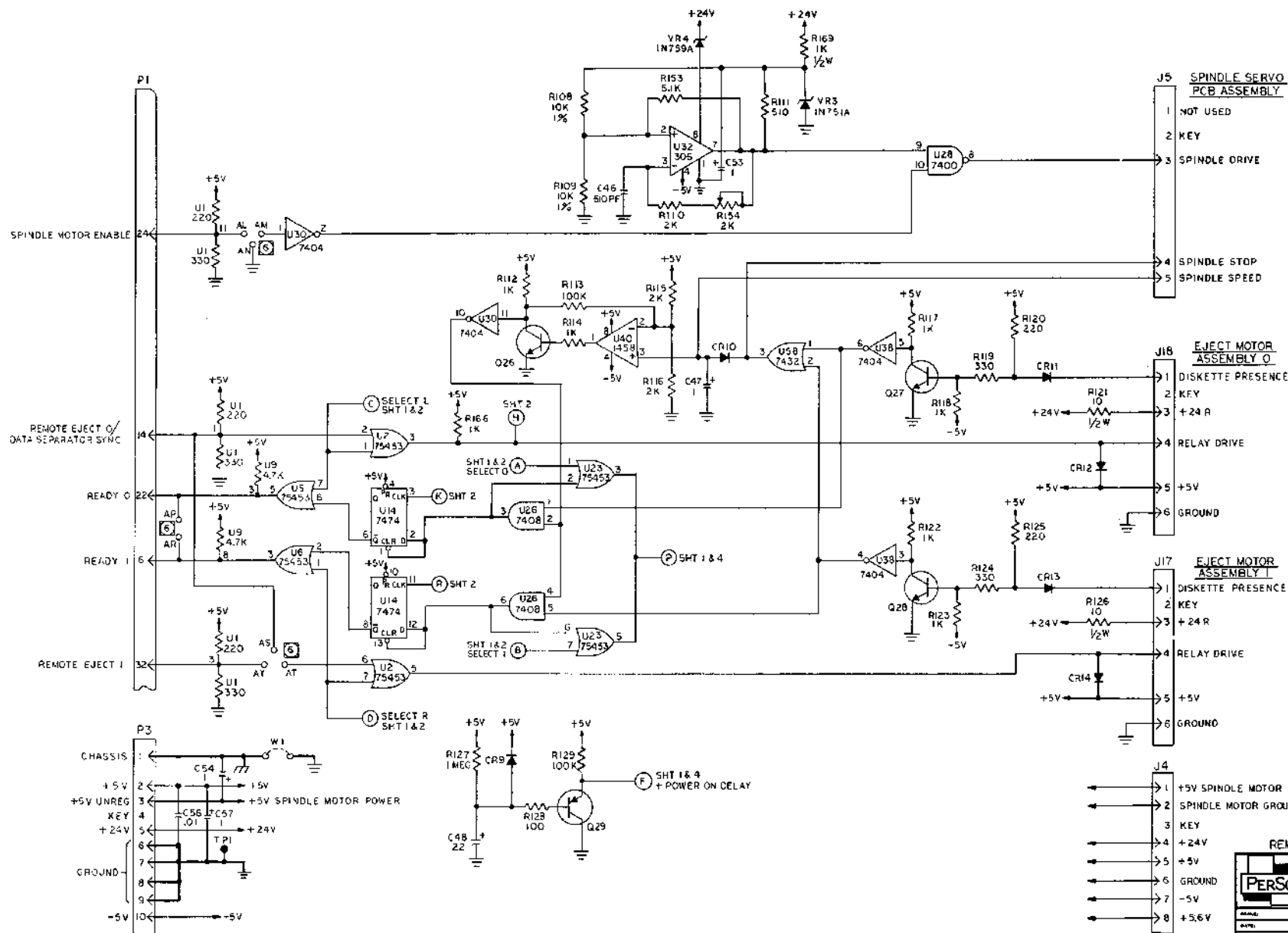


WRITE PROTECT, H.L.OAD, INDEX

PERSCI, INC.

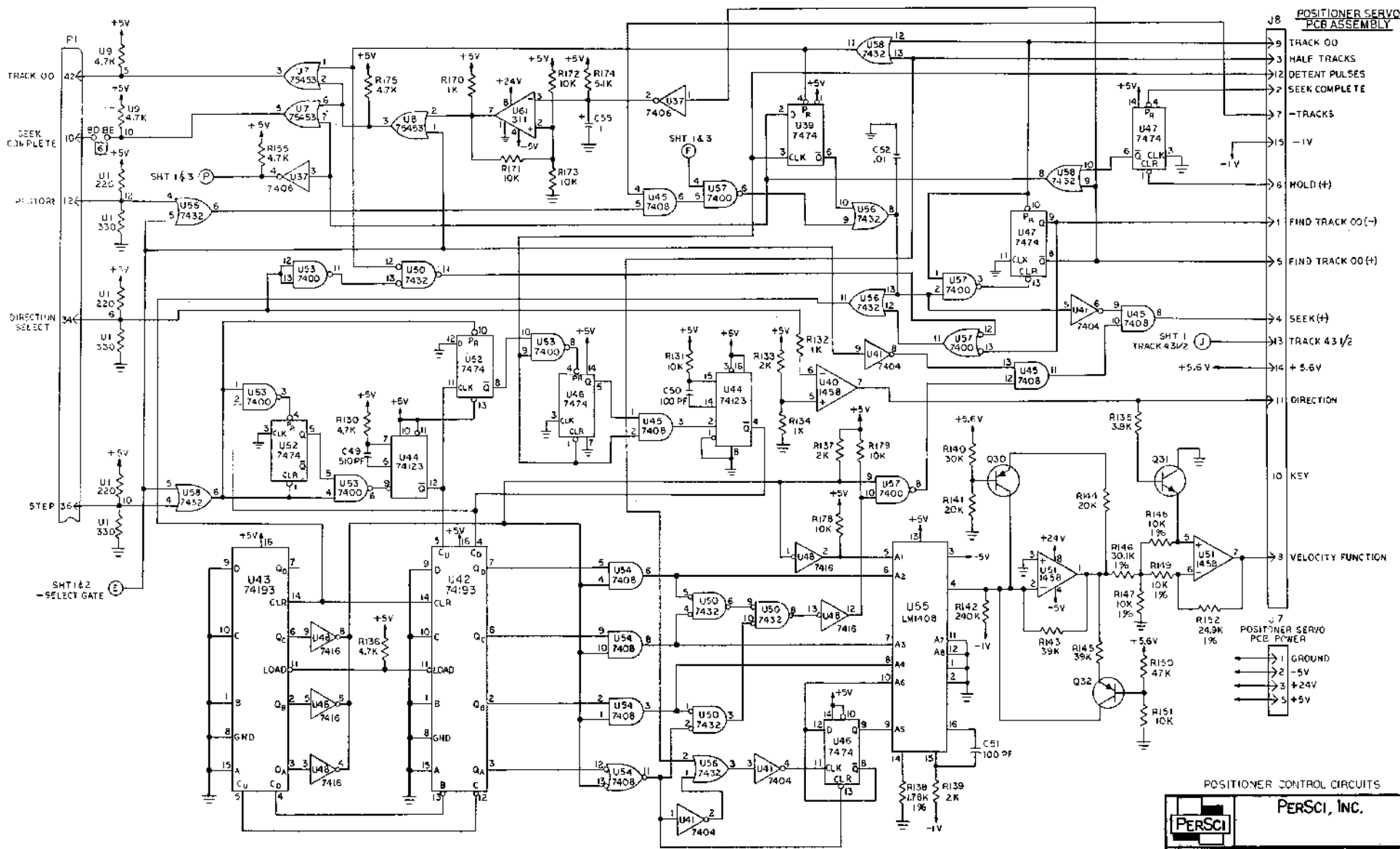
SCHEMATIC, PCB, DATA & INTERFACE

MOD 270/272/277 SHT 2 OF 4 200264 K



REMOTE EJECT, READY, SPINDLE

PERSCI, INC.		
<small>NAME:</small>	<small>APPROVED BY:</small>	<small>DATE:</small>
<small>DATE:</small>	<small>DATE:</small>	<small>DATE:</small>
SCHEMATIC, PCB, DATA & INTERFACE		
MOD 270/272/277	SHT 3 OF 4	200264.K



POSITIONER CONTROL CIRCUITS



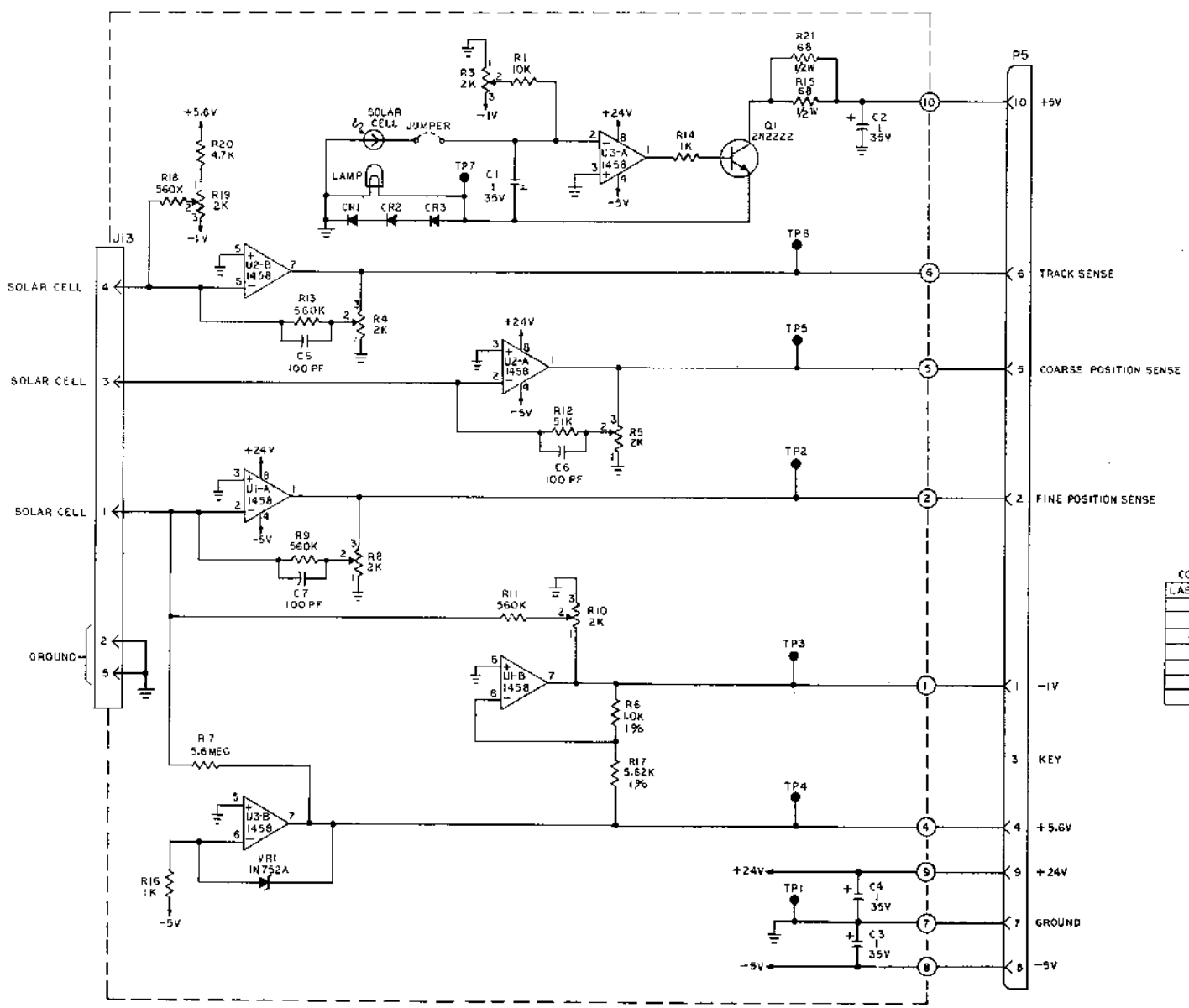
PERSCI, INC.

DATE:	APPROVED BY:	DESIGNED BY:

SCHEMATIC, PCB, DATA & INTERFACE

MOD 27C/272/277 SHT 4 OF 4 200264K

REVISIONS		200096	E
REV	DESCRIPTIONS	CHK	DATE
A	ENGIN REL		12-2-96
B	ADD R18, R19 & R20		12-2-96
C	ECO 63 MFG REL		12-2-96
D	SEE ECO 77		12-2-96
E	ECO 179		12-2-96



COMP REF. DESIGNATIONS

LAST USED	DELETED
U3	
Q1	
CR3	
C7	
R21	R2
TP7	
VR1	

- 3 ALL DIODES TO BE IN4003.
- 2 ALL CAPACITOR VALUES IN MICROFARADS.
- 1 ALL RESISTOR VALUES IN OHMS, 1/4W, 5% UNLESS OTHERWISE SPECIFIED;

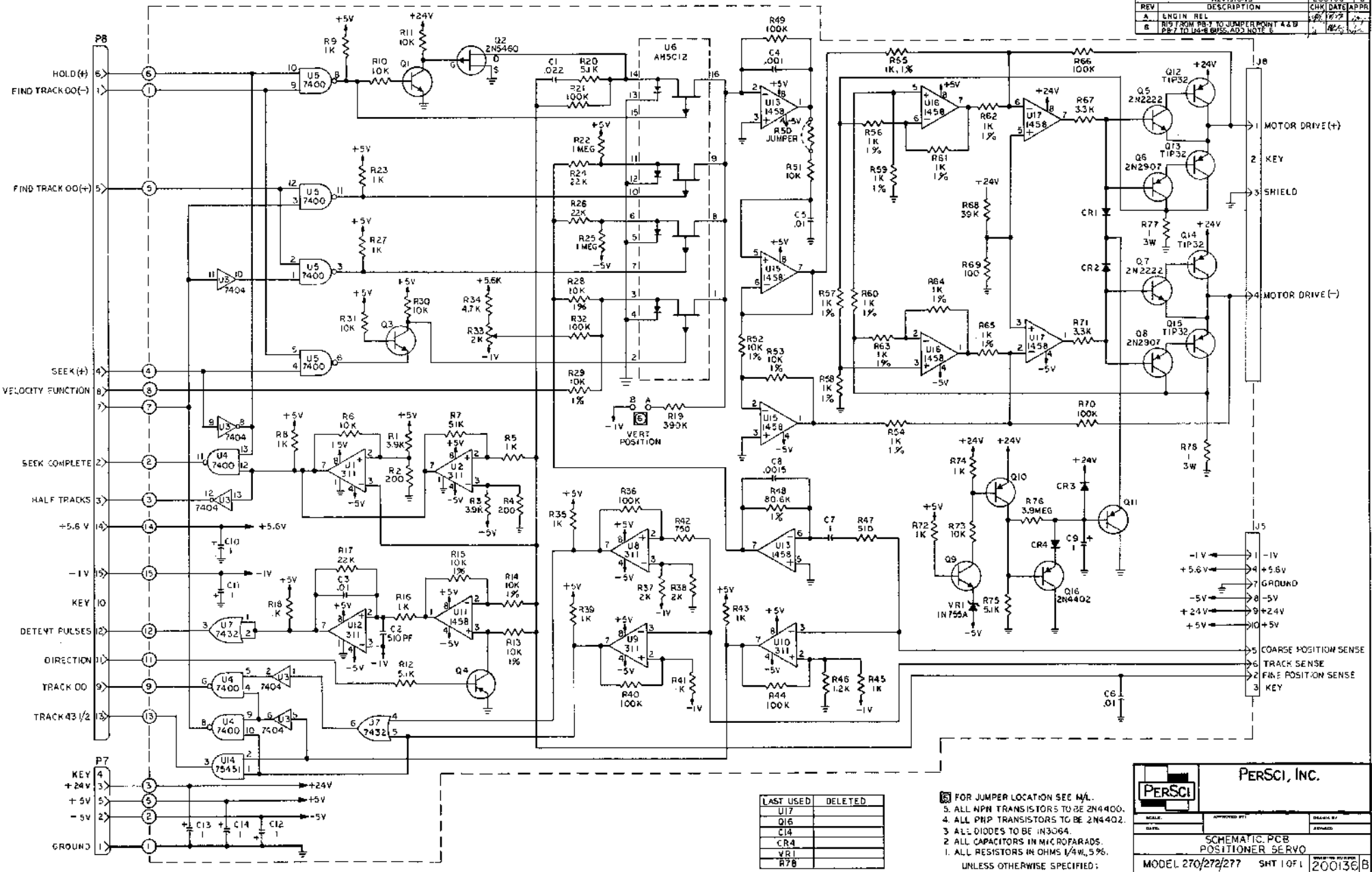
PERSCI, INC.

SCHEMATIC, PCB, LAMP AMPLIFIER

MOD 270/272/277 SHT 1 OF 1 200096 E

200096 E

REV	DESCRIPTION	CHK	DATE	APP
A	ENGIN REL		12/77	
B	RIS FROM P8-1 TO JUMPER POINT 4 & B P8-7 TO J4-B BUSS, ADD NOTE 6		12/77	



LAST USED	DELETED
U17	
Q16	
C14	
CR4	
VR1	
R78	

- FOR JUMPER LOCATION SEE M/L.
- ALL NPN TRANSISTORS TO BE 2N4400.
 - ALL PNP TRANSISTORS TO BE 2N4402.
 - ALL DIODES TO BE 1N3064.
 - ALL CAPACITORS IN MICROFARADS.
 - ALL RESISTORS IN OHMS 1/4W, 5%.
- UNLESS OTHERWISE SPECIFIED:

PERSCI, INC.

PERSCI

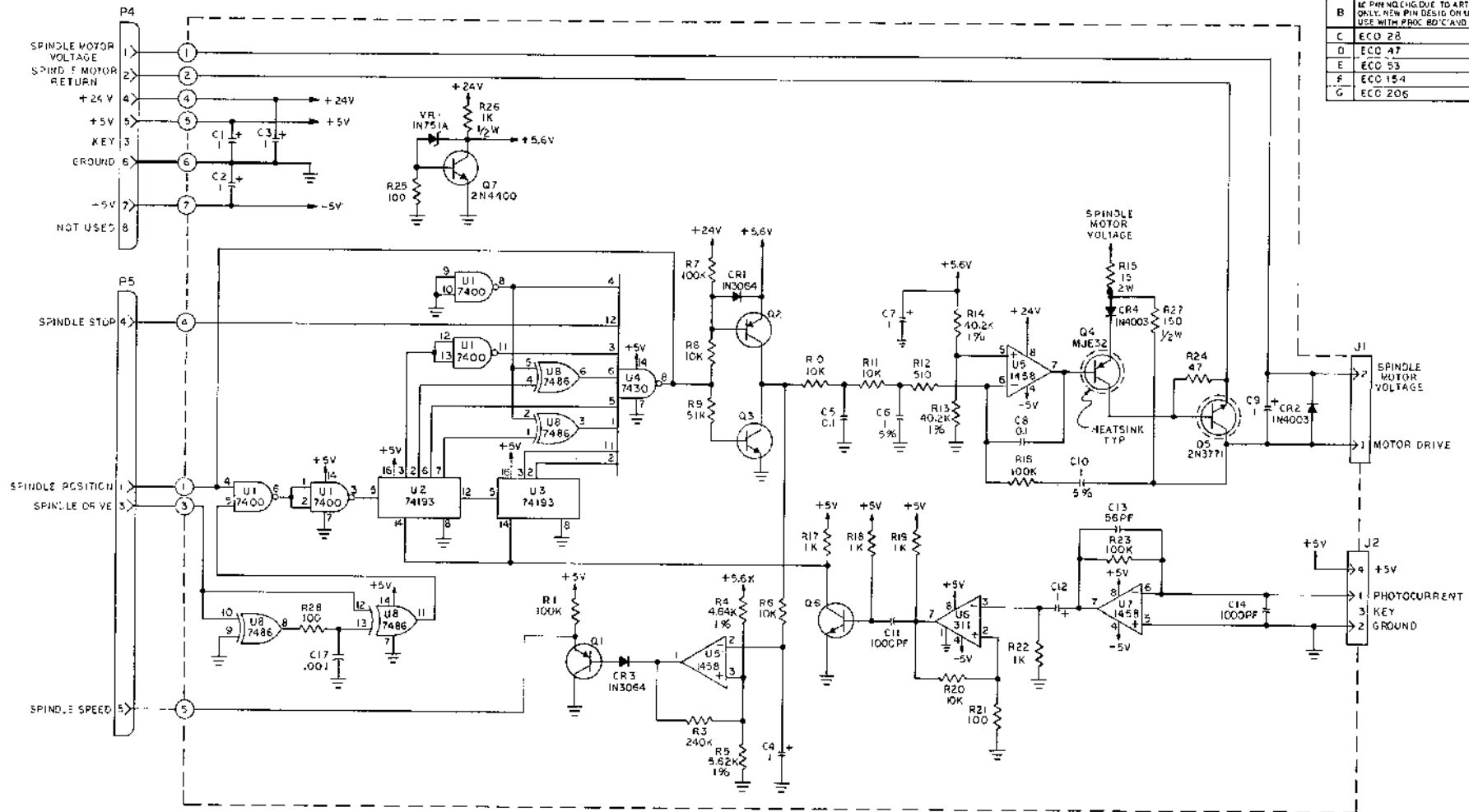
SCALE: _____ APPROVED BY: _____ DRAWN BY: _____

DATE: _____

SCHEMATIC PCB POSITIONER SERVO

MODEL 270/272/277 SHT 1 OF 1 200136B

REVISIONS		200133	G
REV	DESCRIPTION	CHK	DATE
A	ENGIN REL		
B	BE PREPARED DUE TO AIRWORK REDUCAN ONLY. NEW PIN DESIG ON U1,U4,U5,U7 USE WITH PROC 80'C AND UP		
C	ECC 28		
D	ECC 47		
E	ECC 53		
F	ECC 154		
G	ECC 206		



REF DESIGNATIONS

LAST USED	DELETED
U8	
Q7	
CR4	
C17	C15, C16
R28	R2
VR1	

4 ALL PNP TRANSISTORS TO BE 2N4402.
 3 ALL NPN TRANSISTORS TO BE 2N4400.
 2 ALL CAPACITOR VALUES IN MICROFARADS.
 1 ALL RESISTOR VALUES IN OHMS, 1/4W, 5%
 UNLESS OTHERWISE SPECIFIED;

PERSCI, INC.

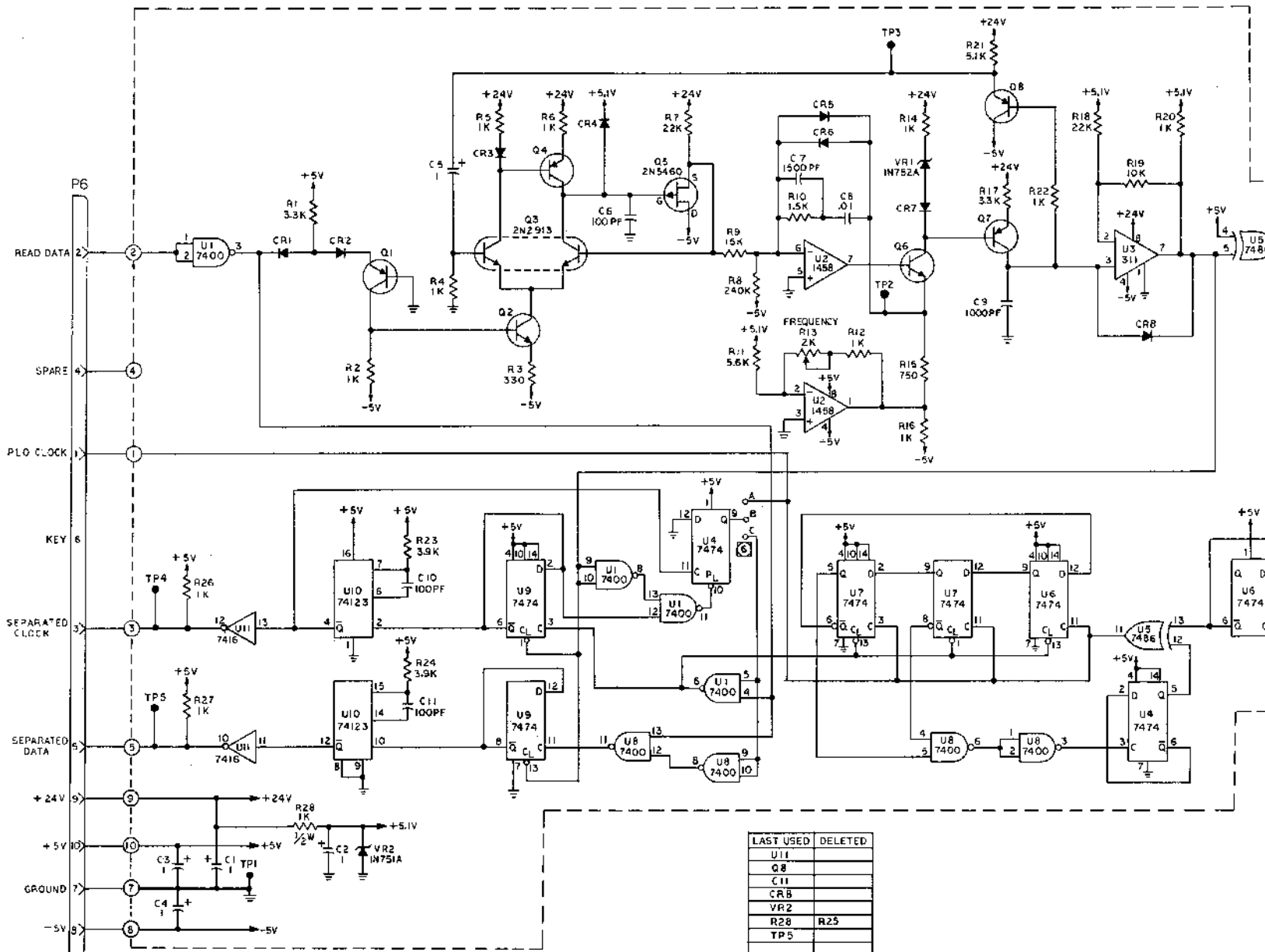
PERSCI

SCHEMATIC, PCB, SPINDLE SERVO

MOD 270/272/277 SHT 1 OF 1 200133 G

200133 G

REVISIONS		200115	C
REV	DESCRIPTIONS	CHK	DATE APPR
A	ENGIN REL		
B	ADD ANTIWIND UP REGULATOR +5.1V		
C	ADD REL. AND SIGNAL NUMBER 1, 0, 5 C.		

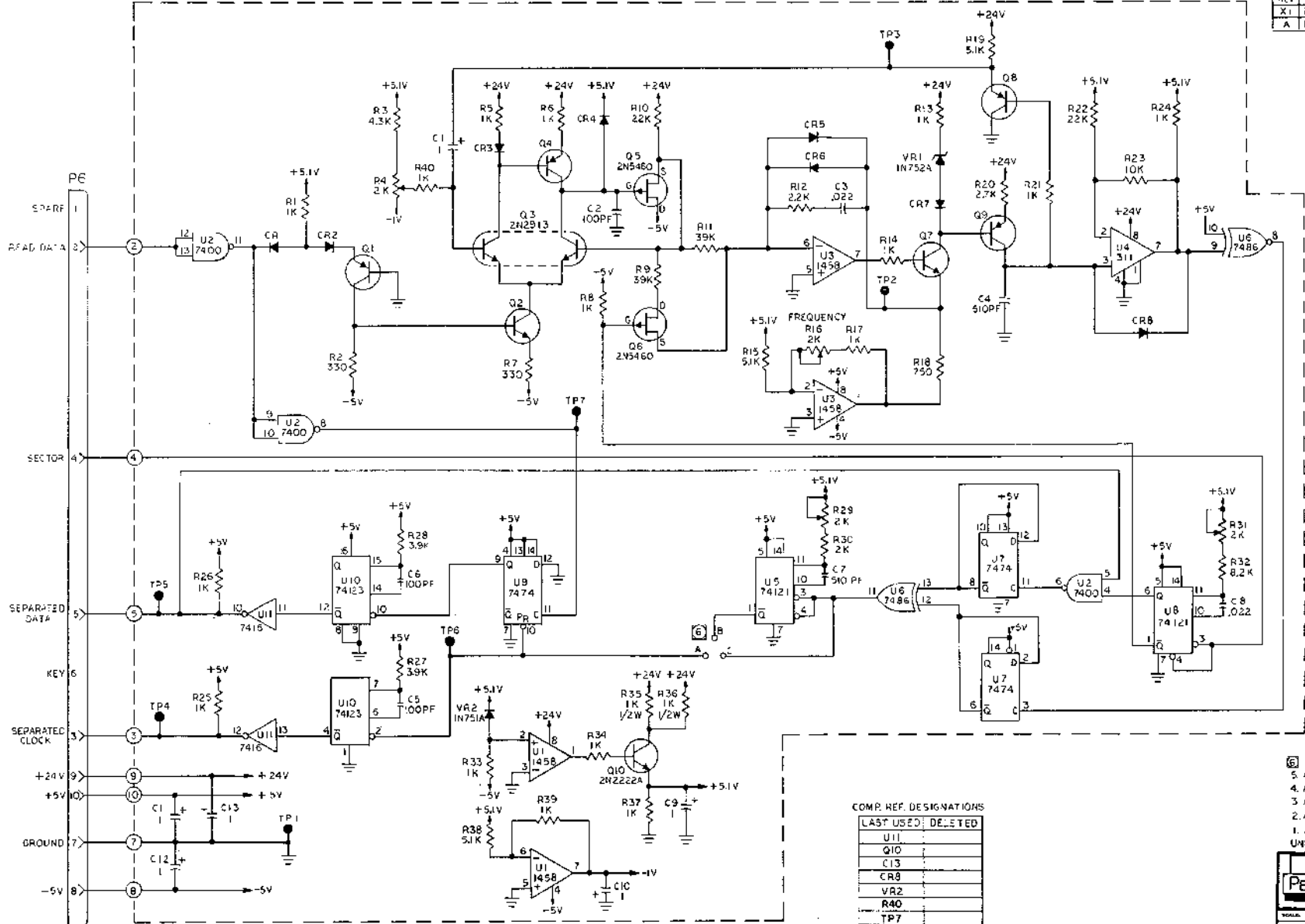


- ⑥ FOR JUMPER LOCATIONS SEE TABULATED N/L
- 5. ALL PNP TRANSISTORS TO BE 2N4402.
- 4. ALL NPN TRANSISTORS TO BE 2N4400.
- 3. ALL DIODES TO BE IN3064.
- 2. ALL CAPACITORS IN MICROFARADS.
- 1. ALL RESISTORS IN OHMS 1/4 W. 5% UNLESS OTHERWISE SPECIFIED:

LAST USED	DELETED
U11	
Q8	
C11	
CRB	
VR2	
R28	R25
TP5	

		PERSCI, INC.	
DATE		DRAWN BY	
SCHEMATIC			
PHASE LOCKED DOUBLE F DATA SEPARATOR			
MOD 270/272/277		SHY 1 OF 1	
		200115 C	

REVISIONS		200231A
REV	DESCRIPTIONS	CHK DATE APPR
X1	EXP REL	2/77
A	ENGIN REL	2/77



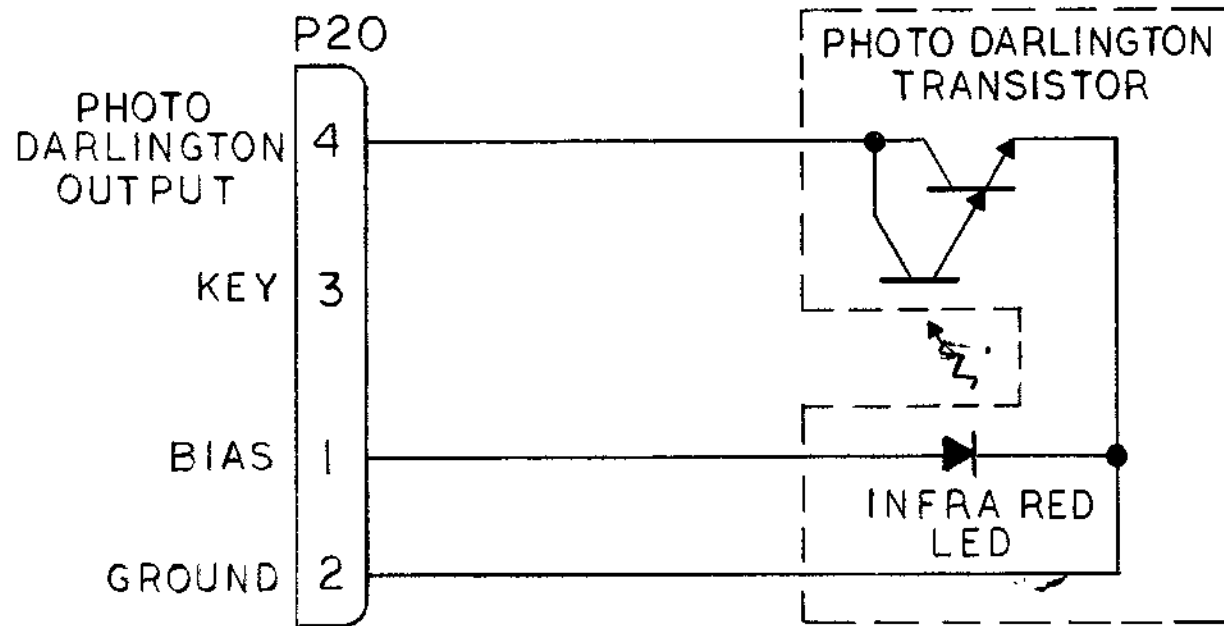
COMP. REF. DESIGNATIONS

LAST USED	DELETED
U11	
Q10	
C13	
CR8	
VR2	
R40	
TP7	

- 6. FOR JUMPER LOCATIONS SEE TABULATED WL.
- 5. ALL PNP TRANSISTORS TO BE 2N4402.
- 4. ALL NPN TRANSISTORS TO BE 2N4400.
- 3. ALL DIODES TO BE IN3064.
- 2. ALL CAPACITORS IN MICROFARADS.
- 1. ALL RESISTORS IN OHMS UNLESS OTHERWISE SPECIFIED.

PERSCI, INC.

SCALE	APPROVED BY	DESIGNED BY
DRAWN	REVIEWED	
SCHEMATIC		DOUBLE DENSITY DATA SEPARATOR
MOD 270/272/277	SHT 1 OF 1	200231A



PERSCI, INC.

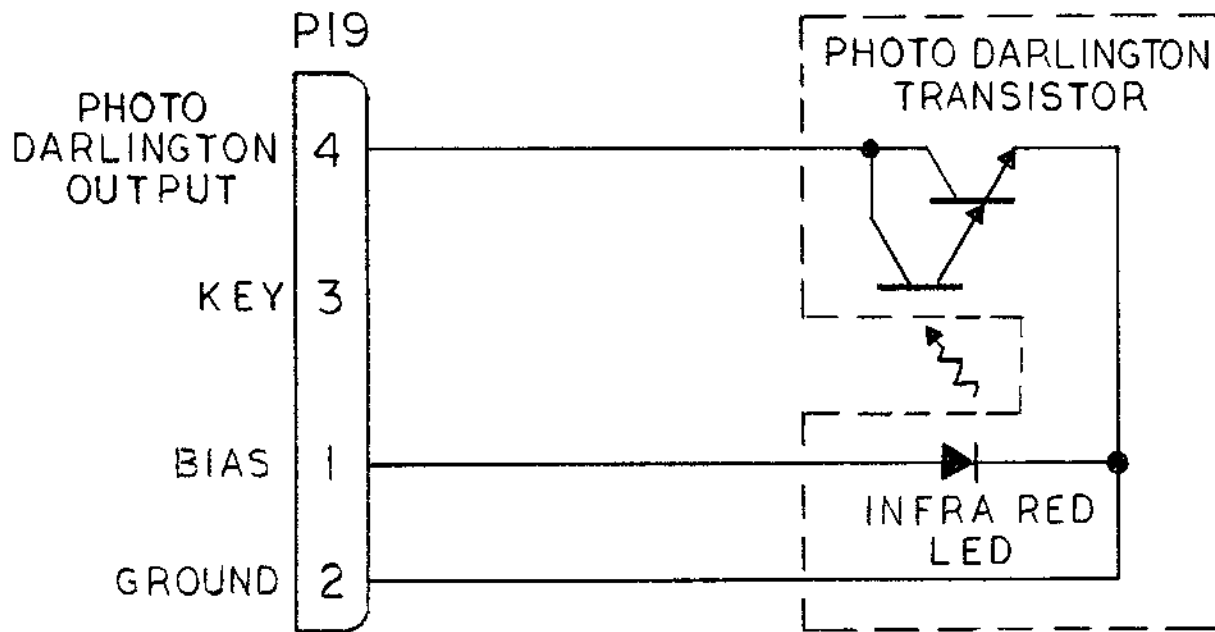
SCHEMATIC
WRITE PROTECT MODULE
SIDE 0

270/272/277

SHT 1 OF 1

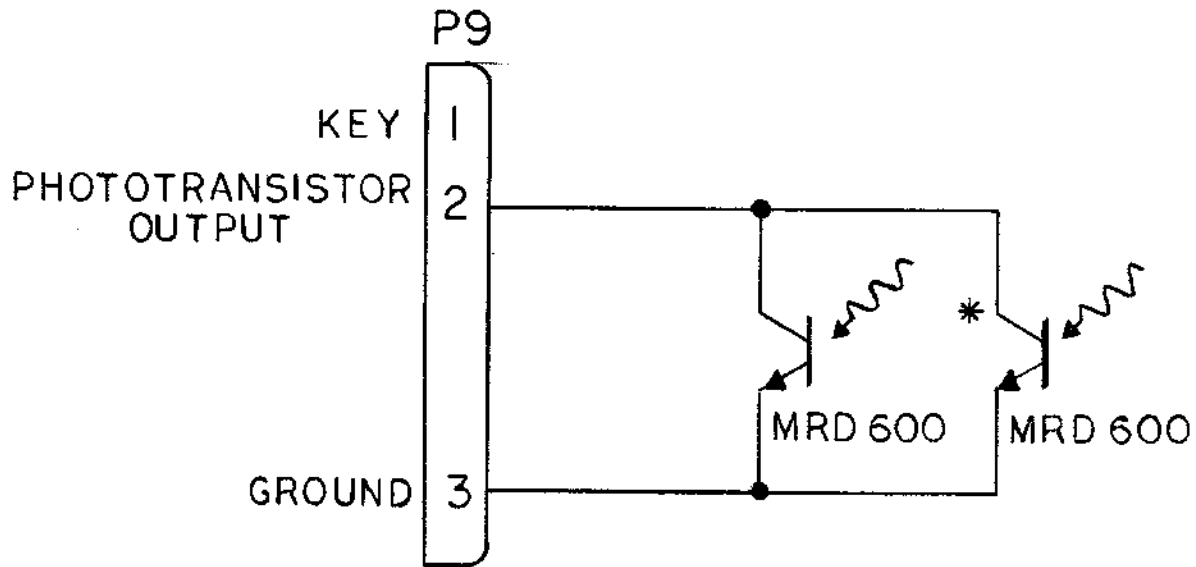
200231

A




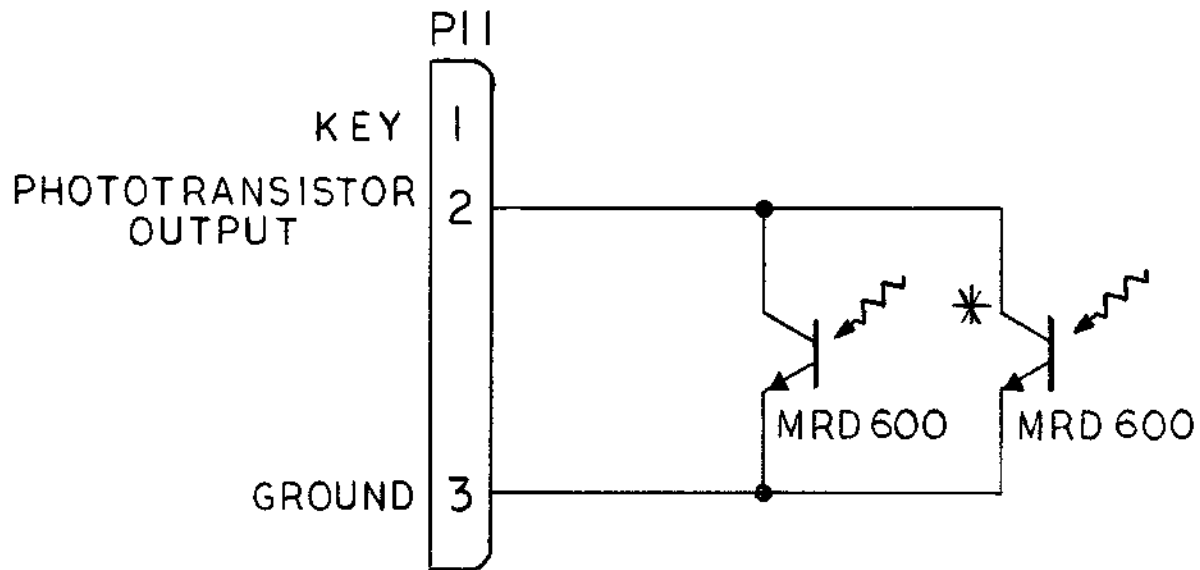
	<p>PERSCI, INC.</p>
--	---------------------

SCHEMATIC
WRITE PROTECT MODULE
SIDE 1




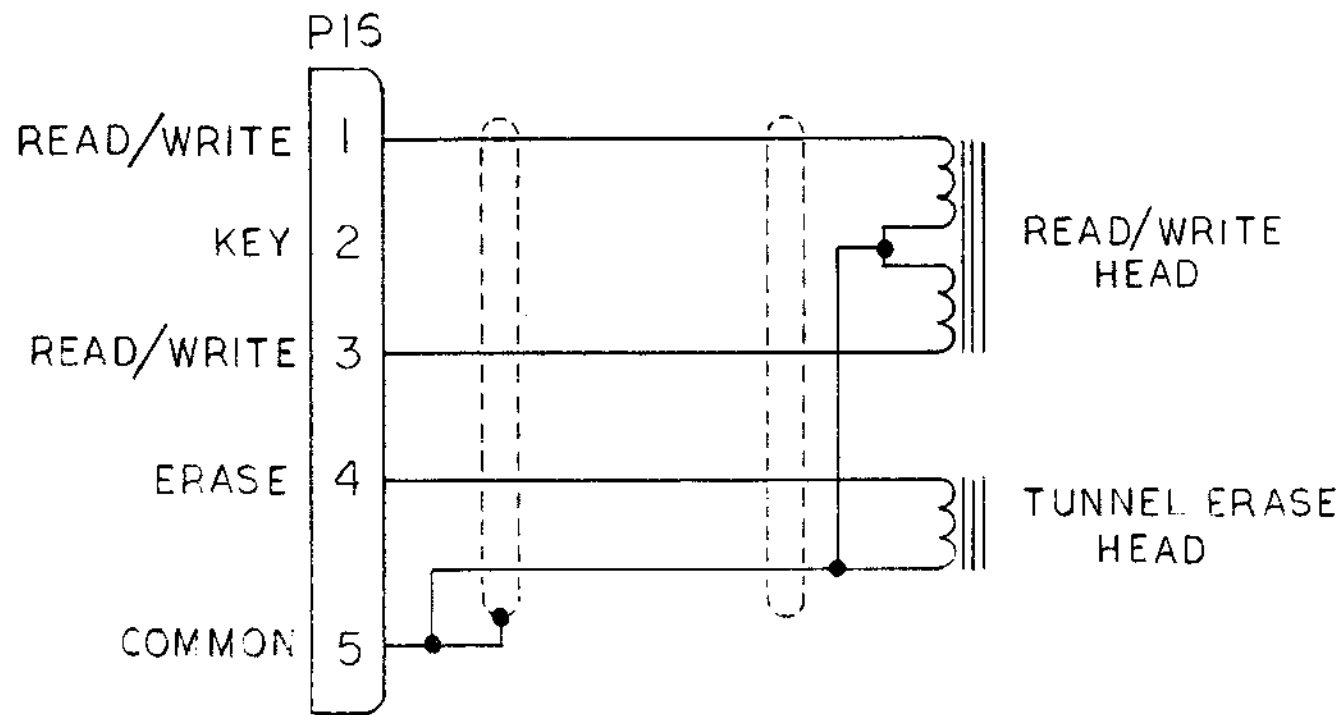
NOTE
 SECOND PHOTOTRANSISTOR
 OPTIONAL FOR DUAL INDEX
 OPTION.


	<p>PERSCI, INC.</p>		
<p>SCHMATIC PHOTOTRANSISTOR ASSEMBLY SIDE 1</p>			
<p>270/272/277</p>	<p>SHT 1 OF 1</p>	<p>200233</p>	<p>B</p>

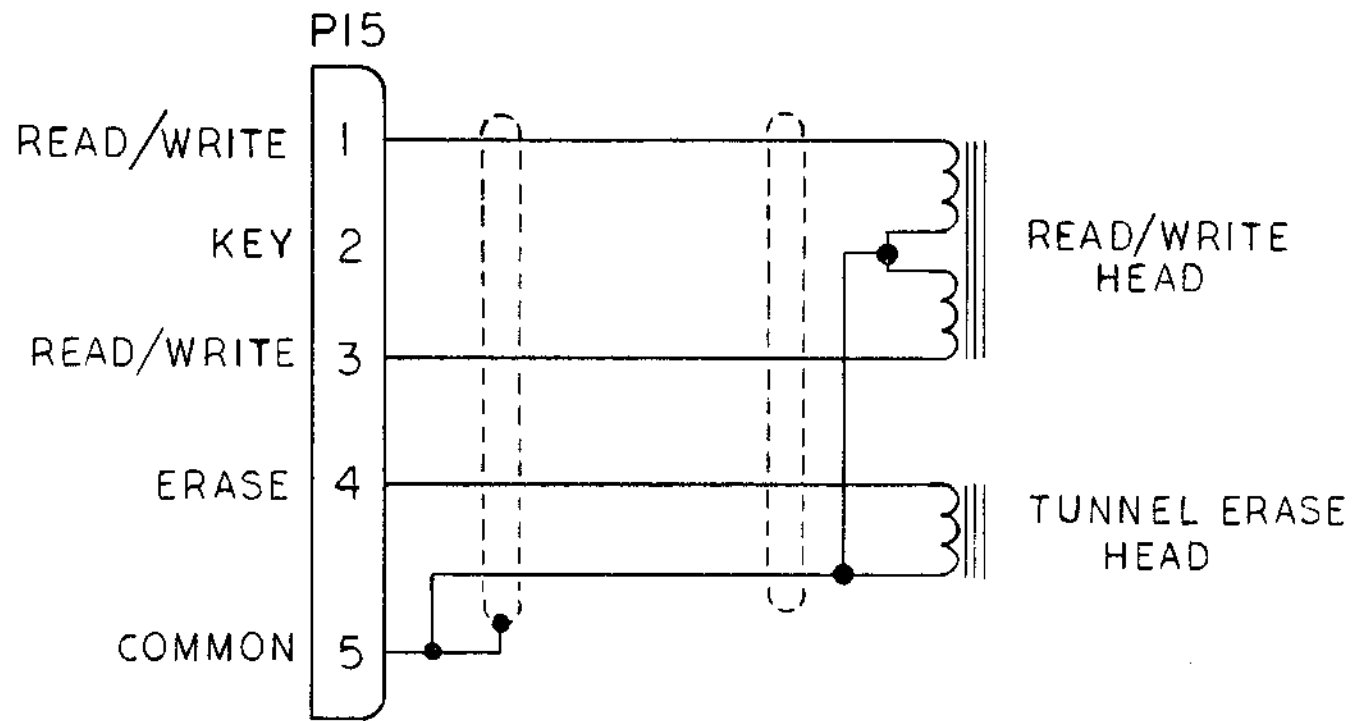



* NOTE
 SECOND PHOTOTRANSISTOR
 OPTIONAL FOR DUAL INDEX
 OPTION.

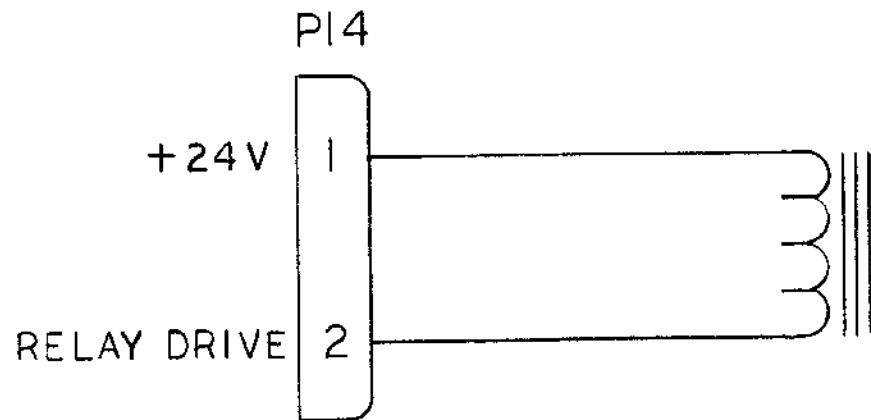
	PERSCI, INC.		
SCHEMATIC PHOTOTRANSISTOR ASSEMBLY SIDE Ø			
270/272/277	SHT 1 OF 1	200234	B




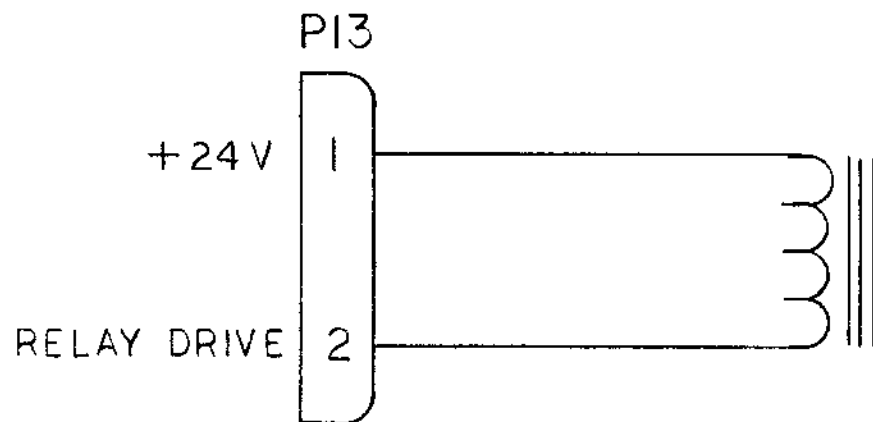
	<p>PERSCI, INC.</p>		
<p>SCHEMATIC READ/WRITE HEAD ASSEMBLY SIDE 0</p>			
<p>270/272/277</p>	<p>SHT 1 OF 1</p>	<p>200235</p>	<p>A</p>




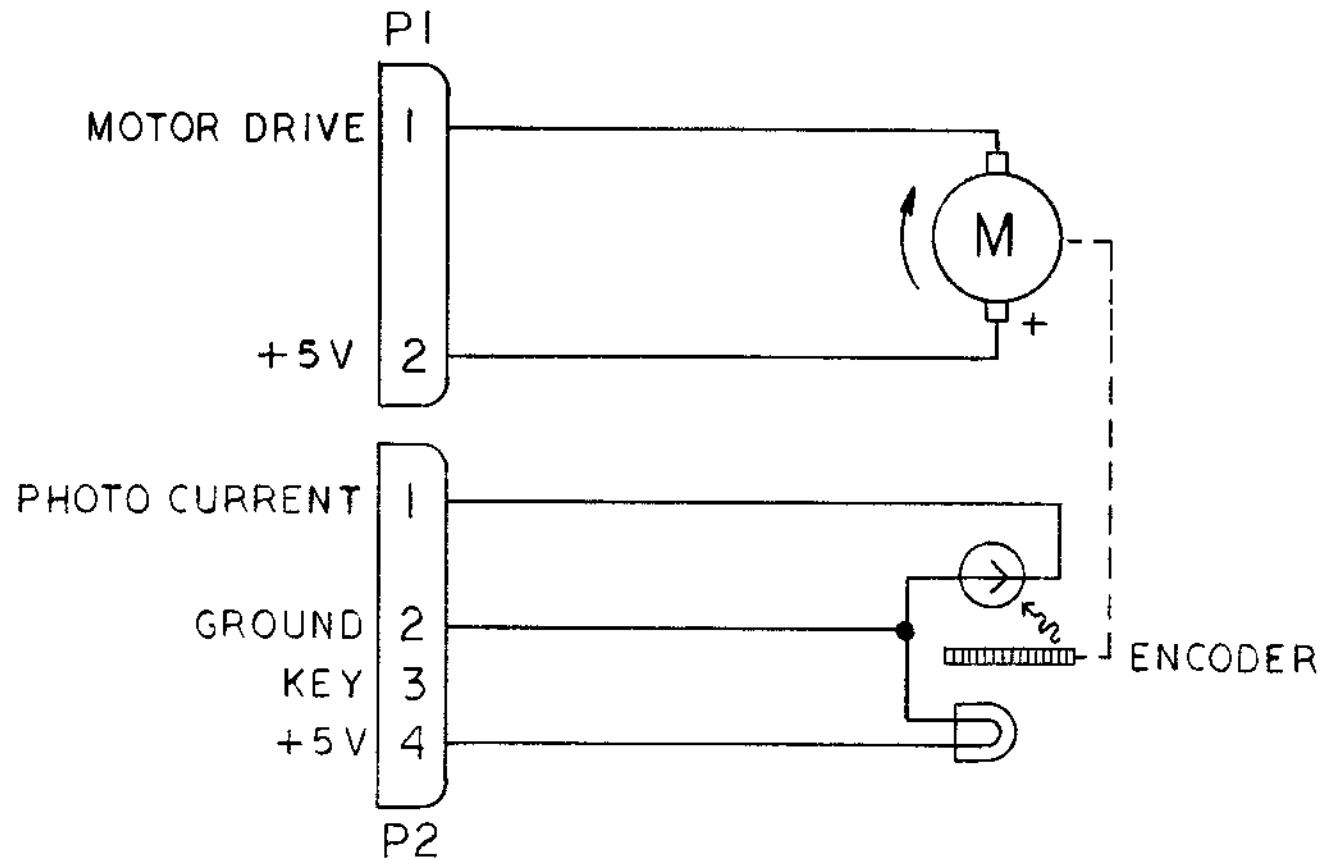
	<p>PERSCI, INC.</p>		
<p>SCHMATIC READ/WRITE HEAD ASSEMBLY SIDE 1</p>			
<p>270/272/277</p>	<p>SHT 1 OF 1</p>	<p>200236</p>	<p>A</p>




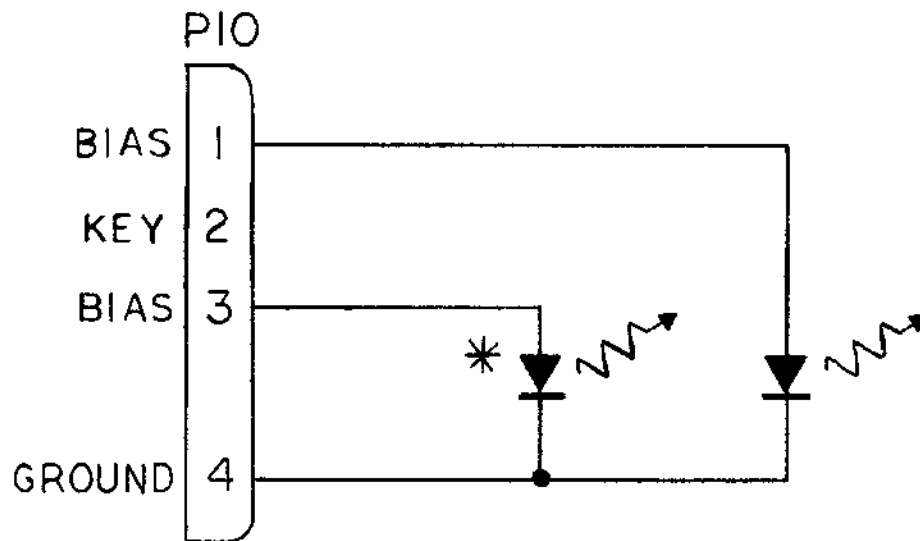
 PERSCI	PERSCI, INC.		
SCHEMATIC HEAD LOAD ASSEMBLY SIDE 0			
270/272/277	SHT 1 OF 1	200237	A




	PERSCI, INC.		
SCHEMATIC HEAD LOAD ASSEMBLY SIDE 1			
270/272/277	SHT 1 OF 1	200238	A

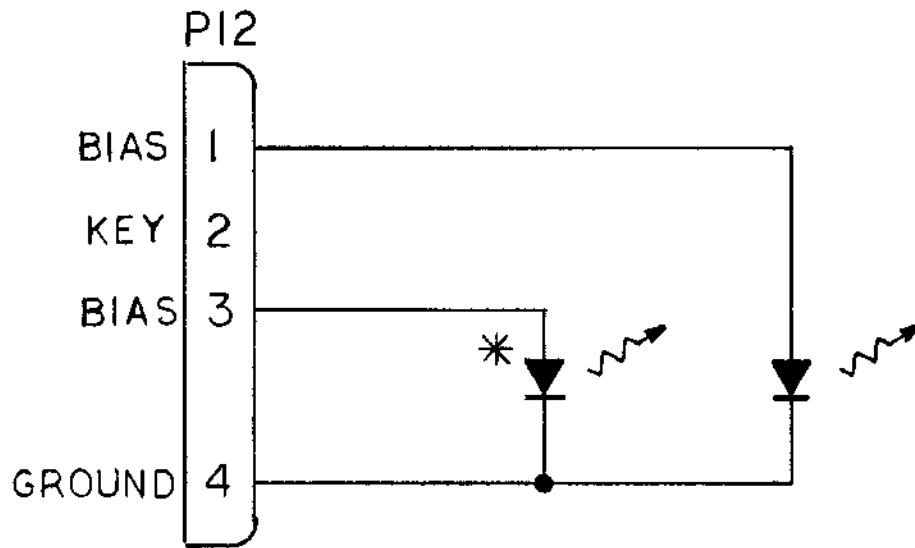



	<p>PERSCI, INC.</p>		
<p>SCHEMATIC SPINDLE MOTOR ASSEMBLY</p>			
<p>270/272/277</p>	<p>SHT 1 OF 1</p>	<p>200239</p>	<p>A</p>



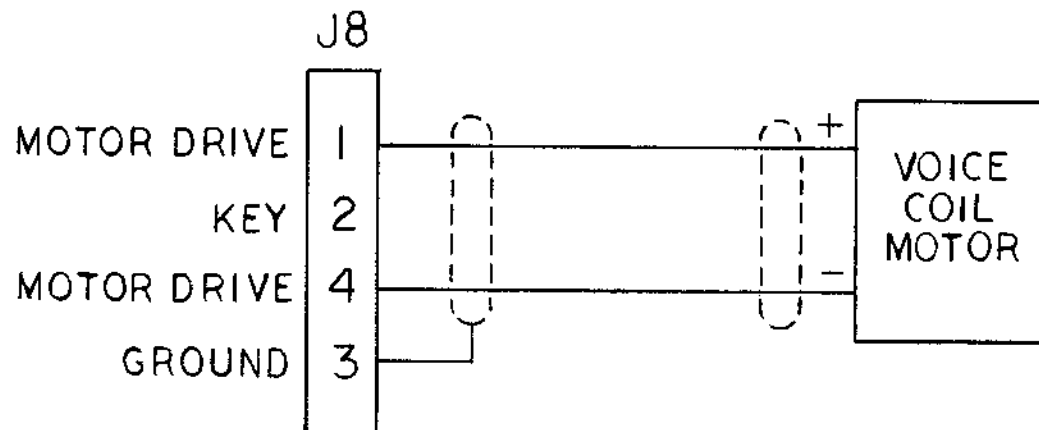
* NOTE:
 SECOND LED OPTIONAL FOR
 DUAL INDEX OPTION DRIVE.

	PERSCI, INC.		
SCHEMATIC LED ASSEMBLY SIDE 1			
270/272/277	SHT1CF1	200240	B



	<p>PERSCI, INC.</p>		
<p>SCHEMATIC LED ASSEMBLY SIDE 0</p>			
<p>270/272/277</p>	<p>SHT 1 OF 1</p>	<p>200241</p>	<p>B</p>

*NOTE
SECOND LED OPTIONAL FOR
DUAL INDEX OPTION DRIVE.



PERSCI, INC.

SCHEMATIC
POSITIONER MOTOR

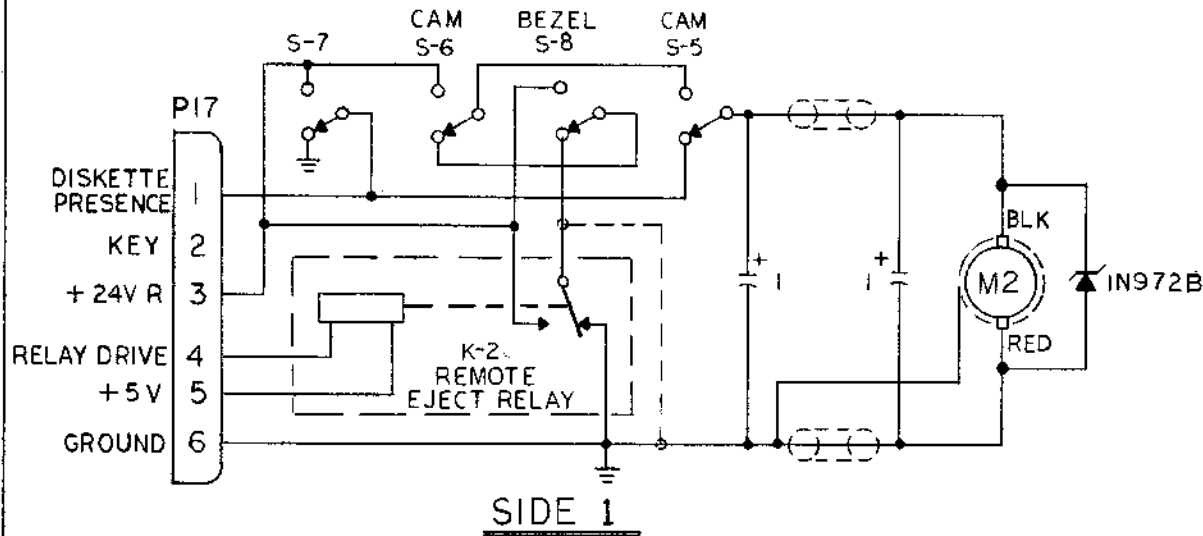
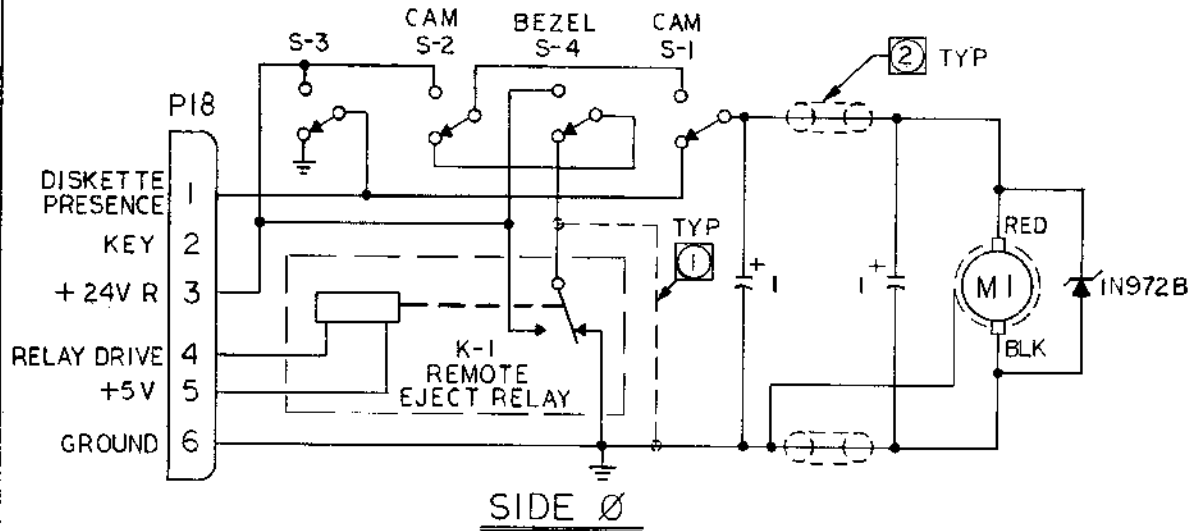
270/272/277

SHT 1 OF 1

200242


A

REVISIONS				200243	B
REV.	DESCRIPTION	CHK.	DATE	APPROVED	
A	MEG RELEASE				
B	ECO 109				



- ③ ALL SWITCHES SHOWN NORMALLY CLOSED.
- ② FERRITE BEAD PERSCI 100031.
- ① OPTIONAL WIRING WITHOUT RELAY.

NOTES:

	PERSCI, INC.
SCHEMATIC EJECT MOTOR ASSEMBLY	
270/272/277	SHT 1 OF 1
200243	B

REV B
 DWG NO. 200263-001

MATERIAL LIST

TITLE ASSEMBLY, PCB DATA AND INTERFACE	DWG NO. 200263-001	REV B	SHEET 1 OF 1
---	-----------------------	----------	--------------

MODEL 270/272 SINGLE DENSITY	PERSCI, INC.		
------------------------------	---------------------	--	--

ITEM NO.	DRAWING TITLE	DWG NO.	QTY	REMARKS
	USE BASIC BD 200263-000			
	LATEST REVISION AND			
	ADD THE FOLLOWING:			
1				
2				
3	CAPACITOR, TANTL., 10% 0.1UF	150100-104	1	C36
4	CAPACITOR, TANTL., 10% 0.1UF	150100-104	2	C40,41
5				
6	RESISTOR 1/4 W., 5% 36K	150000-363	2	R88,94
7				
8	WIRE, INSULATED AWG 24		A/R	JUMPER FROM A TO B
				JUMPER FROM D TO E
				JUMPER FROM F TO G
				JUMPER FROM H TO J
				JUMPER FROM M TO P
				JUMPER FROM R TO S
				JUMPER FROM W TO X
				JUMPER FROM AB TO AC
				JUMPER FROM AD TO AE
				JUMPER FROM AH TO AJ
				JUMPER FROM AL TO AM
				JUMPER FROM AY TO AT
				JUMPER FROM AV TO AW
				JUMPER FROM BA TO BB
				JUMPER FROM BD TO BE
				JUMPER FROM BK TO BM
				CHASSIS GND W1
	NOTE: JUMPER POINTS NOT LISTED			
	ARE OPEN (NOT USED)			

REV C
 DWG NO. 200263-002

MATERIAL LIST

TITLE ASSEMBLY, PCB DATA AND INTERFACE	DWG NO. 200263-002	REV C	SHEET <u>1</u> OF <u>1</u>
---	-----------------------	----------	----------------------------

MODEL 270 DOUBLE DENSITY	PERSCI, INC.		
--------------------------	---------------------	--	--

ITEM NO.	DRAWING TITLE	DWG NO.	QTY	REMARKS
	USE BASIC BD 200263-000			
	LATEST REVISION AND			
	ADD THE FOLLOWING:			
1	IC 74193	150614	2	U16,27
2				
3	CAPACITOR, TANTL., 10% 0.1UF	150100-104	1	C36
4	CAPACITOR, TANTL., 10% 1UF	150100-105	2	C40,41
5				
6	RESISTOR, 1/4 W., 5% 11K	150000-113	2	R88,94
7				
8	WIRE, INSULATED AWG 24		A/R	JUMPER FROM A TO B
				JUMPER FROM D TO E
				JUMPER FROM F TO G
				JUMPER FROM H TO J
				JUMPER FROM M TO P
				JUMPER FROM R TO S
				JUMPER FROM W TO Y
				JUMPER FROM AA TO AB
				JUMPER FROM AD TO AF
				JUMPER FROM AH TO AK
				JUMPER FROM AL TO AM
				JUMPER FROM AT TO AY
				JUMPER FROM AV TO AW
				JUMPER FROM BA TO BB
				JUMPER FROM BD TO BE
				JUMPER FROM BH TO BJ
				JUMPER FROM BK TO BM
				SECTOR "0" JUMPER 16
				SECTOR "1" JUMPER 16
	NOTE: JUMPER POINTS NOT LISTED			CHASSIS GND W1
	ARE OPEN (NOT USED)			

MATERIAL LIST

REV
EW
DWG NO.
200263-003

TITLE
 ASSEMBLY, PCB DATA AND INTERFACE

DWG NO.
 200263-003

REV
 E

SHEET 1 OF 1

MODEL 277 ROTARY SELECT

PERSCI, INC.

ITEM NO.	DRAWING TITLE	DWG NO.	QTY	REMARKS
	USE BASIC BD 200263-000			
	LATEST REVISION AND			
	ADD THE FOLLOWING:			
1				
2				
3				
4	CAPACITOR, TANTL., 10% 0.1UF	150100-104	3	C40,41,36
5				
6	RESISTOR, 1/4 W., 5% 36K	150000-363	2	R38,94
7	MODULE, SELECT	200288-005	1	U11
8	WIRE, INSULATED, AWG 24		A/R	JUMPER FROM A TO B
				JUMPER FROM J TO Z
				JUMPER FROM K TO L
				JUMPER FROM N TO P
				JUMPER FROM S TO T
				JUMPER FROM U TO V
				JUMPER FROM W TO X
				JUMPER FROM AB TO AC
				JUMPER FROM AD TO AE
				JUMPER FROM AH TO AJ
				JUMPER FROM AM TO AN
				JUMPER FROM AP TO AR
				JUMPER FROM AS TO AT
				JUMPER FROM AV TO AW
				JUMPER FROM BA TO BB
				JUMPER FROM BD TO BE
				JUMPER FROM BK TO BM
				CHASSIS GND W1
	NOTE: JUMPER POINTS NOT LISTED			
	ARE OPEN (NOT USED)			

MATERIAL LIST

REV C
DWG NO. 200263-005

TITLE ASSEMBLY, PCB DATA AND INTERFACE	DWG NO. 200263-005	REV C	SHEET 1 OF 1
--	------------------------------	-----------------	---------------------

MODEL 270, 16 SECTORS	PERSCI, INC.
-----------------------	---------------------

ITEM NO.	DRAWING TITLE	DWG NO.	QTY	REMARKS
	USE BASIC BD 200263-000			
	LATEST REVISION AND			
	ADD THE FOLLOWING:			
1	IC 74193	150614	2	U16,27
2				
3	CAPACITOR, TANTL., 10% 0.1UF	150100-104	1	C36
4	CAPACITOR, TANTL., 10% 1UF	150100-105	2	C40,41
5				
6	RESISTOR, 1/4W., 5% 11K	150000-113	2	R38,94
7				
8	WIRE, INSULATED, AWG 24		A/R	JUMPER FROM A TO B
				JUMPER FROM D TO E
				JUMPER FROM F TO G
				JUMPER FROM H TO J
				JUMPER FROM M TO P
				JUMPER FROM R TO S
				JUMPER FROM W TO Y
				JUMPER FROM AA TO AB
				JUMPER FROM AD TO AF
				JUMPER FROM AH TO AK
				JUMPER FROM AL TO AM
				JUMPER FROM AT TO AY
				JUMPER FROM AV TO AW
				JUMPER FROM BA TO BB
				JUMPER FROM BD TO BE
				JUMPER FROM BH TO BF
				JUMPER FROM BK TO BM
				SECTOR "0" JUMPER 16
				SECTOR "1" JUMPER 16
	NOTE: JUMPER POINTS NOT LISTED			CHASSIS GND W1
	ARE OPEN (NOT USED)			

REV

DWG NO. 200263-007

MATERIAL LIST

TITLE
ASSEMBLY, PCB DATA AND INTERFACEDWG NO.
200263-007

REV

SHEET 1 OF 1

MODEL 270 HARD SECTOR 32 SECTORS

PERSCI, INC.

ITEM NO.	DRAWING TITLE	DWG NO.	QTY	REMARKS
	USE BASIC BD 200263-000			
	LATEST REVISION AND ADD			
	THE FOLLOWING:			
1	ASSY, SELECT MODULE	200288-003	1	U11
2				
3	CAPACITOR, TANTL., 10% 0.1UF	150100-104	1	C36
4	CAPACITOR, TANTL., 10% 1UF	150100-105	2	C40,41
5				
6	RESISTOR, 1/4 W., 5% 11K	150000-113	2	R88,94
7				
8	WIRE, INSULATED, AWG 24		A/R	JUMPER FROM A TO B
				JUMPER FROM D TO E
				JUMPER FROM F TO G
				JUMPER FROM H TO J
				JUMPER FROM M TO P
				JUMPER FROM R TO S
				JUMPER FROM W TO Y
				JUMPER FROM AA TO AB
				JUMPER FROM AD TO AF
				JUMPER FROM AH TO AK
				JUMPER FROM AL TO AM
				JUMPER FROM AT TO AY
				JUMPER FROM AU TO AW
				JUMPER FROM BA TO BB
				JUMPER FROM BD TO BE
				JUMPER FROM BH TO BJ
				JUMPER FROM BK TO BM
				SECTOR "0" JUMPER 32
				SECTOR "1" JUMPER 32
	NOTE: JUMPER POINTS NOT LISTED			CHASSIS GND W1
	ARE OPEN (NOT USED)			

REV B
 DWG NO. 200263-008

MATERIAL LIST

TITLE ASSEMBLY, PCB DATA AND INTERFACE
 DWG NO. 200263-008
 REV B
 SHEET 1 OF 1

MODEL 270 SINGLE DENSITY, SELECTABLE DRIVE PERSCI, INC.

ITEM NO.	DRAWING TITLE	DWG NO.	QTY	REMARKS
	USE BASIC BD 200263-000			
	LATEST REVISION AND			
	ADD THE FOLLOWING:			
1	ASSY., SELECT MODULE	200288-003	1	U11
2				
3	CAPACITOR, TANTL., 10% 0.1UF	150100-104	1	C36
4	CAPACITOR, TANTL., 10% 0.1UF	150100-104	2	C40,41
5				
6	RESISTOR, 1/4 W., 5% 36K	150000-363	2	R88,94
7				
8	WIRE, INSULATED AWG 24		A/R	JUMPER FROM A TO B
				JUMPER FROM D TO E
				JUMPER FROM F TO G
				JUMPER FROM H TO J
				JUMPER FROM M TO P
				JUMPER FROM R TO S
				JUMPER FROM W TO X
				JUMPER FROM AB TO AC
				JUMPER FROM AD TO AE
				JUMPER FROM AH TO AJ
				JUMPER FROM AL TO AM
				JUMPER FROM AY TO AT
				JUMPER FROM AV TO AW
				JUMPER FROM BA TO BB
				JUMPER FROM BD TO BE
				JUMPER FROM BK TO BM
				CHASSIS GND W1
	NOTE: JUMPER POINTS NOT LISTED			
	ARE OPEN (NOT USED)			

REV C
 DWG NO. 200263-001

MATERIAL LIST

TITLE ASSEMBLY, PCB DATA AND INTERFACE	DWG NO. 200263-009	REV C	SHEET 1 OF 1
---	-----------------------	----------	--------------

MODEL 270 SELECTABLE DRIVE,
 16 SEPARATED SECTORS

PERSCI, INC.

ITEM NO.	DRAWING TITLE	DWG NO.	QTY	REMARKS
	USE BASIC BD 200263-000			
	LATEST REVISION AND			
	ADD THE FOLLOWING:			
1	IC 74193	150614	2	U16,27
2	IC 75455	150615	1	U59 'DELETE'
3	CAPACITOR, TANTL., 10% 0.1UF	150100-104	1	C36
4	CAPACITOR, TANTL., 10% 1UF	150100-105	2	C40,41
5				
6	RESISTOR, 1/4 W., 5% 11K	150000-113	2	R88,94
7	ASSY., SELECT MODULE	200288-003	1	U11
8	WIRE, INSULATED AWG 24		A/R	JUMPER FROM A TO B
				JUMPER FROM D TO E
				JUMPER FROM F TO G
				JUMPER FROM H TO J
				JUMPER FROM M TO P
				JUMPER FROM R TO S
				JUMPER FROM W TO Y
				JUMPER FROM AA TO AB
				JUMPER FROM AD TO AF
				JUMPER FROM AH TO AK
				JUMPER FROM AL TO AM
				JUMPER FROM AT TO AY
				JUMPER FROM AV TO AW
				JUMPER FROM BA TO BB
				JUMPER FROM BD TO BE
				JUMPER FROM BH TO BJ
				JUMPER FROM BK TO BM
				SECTOR "0" JUMPER 16
				SECTOR "1" JUMPER 16
	NOTE: JUMPER POINTS NOT LISTED			CHASSIS GND W1
	ARE OPEN (NOT USED)			

REV 5
 DWG NO. 200263-010

MATERIAL LIST

TITLE ASSEMBLY, PCB DATA AND INTERFACE	DWG NO. 200263-010	REV 5	SHEET 1 OF 1
--	------------------------------	-----------------	---------------------

MODEL 277 HARD SECTOR 32 SECTOR ROTARY SELECT	PERSCI, INC.
---	---------------------

ITEM NO.	DRAWING TITLE	DWG NO.	QTY	REMARKS
	USE BASIC BD 200263-000			
	LATEST REVISION AND			
	ADD THE FOLLOWING:			
1				
2				
3	CAPACITOR, TANTL., 10% 0.1UF	150100-104	1	C36
4	CAPACITOR, TANTL., 10% 1.0UF	150100-105	2	C40,41
5				
6	RESISTOR, 1/4 W., 5% 11K	150000-113	2	R88,94
7	MODULE, SELECT	200288-005	1	U11
8	WIRE, INSULATED, AWG 24		A/R	JUMPER FROM A TO B
				JUMPER FROM J TO Z
				JUMPER FROM K TO L
				JUMPER FROM N TO P
				JUMPER FROM S TO T
				JUMPER FROM W TO Y
				JUMPER FROM AA TO AB
				JUMPER FROM AD TO AF
				JUMPER FROM AH TO AK
				JUMPER FROM AM TO AN
				JUMPER FROM AP TO AR
				JUMPER FROM AS TO AT
				JUMPER FROM AV TO AW
				JUMPER FROM BC TO BB
				JUMPER FROM BD TO BE
				JUMPER FROM BL TO BM
				SECTOR "0" JUMPER 32
				SECTOR "1" JUMPER 32
	NOTE: JUMPER POINTS NOT LISTED			CHASSIS GND W1
	ARE OPEN (NOT USED)			

REV B
 DWG NO. 200263-011

MATERIAL LIST

TITLE ASSEMBLY, PCB DATA AND INTERFACE	DWG NO. 200263-011	REV E	SHEET 1 OF 1
---	-----------------------	----------	--------------

MODEL 277 ROTARY SELECT MFM 32 SECTOR	PERSCI, INC.
---------------------------------------	---------------------

ITEM NO.	DRAWING TITLE	DWG NO.	QTY	REMARKS
	USE BASIC BD 200263-000			
	LATEST REVISION AND			
	ADD THE FOLLOWING:			
1				
2				
3	CAPACITOR, TANTL., 10% 0.1UF	150100-104	1	C36
4	CAPACITOR, TANTL., 10% 1.0UF	150100-105	2	C40, 41
5				
6	RESISTOR, 1/4 W., 5% 11K	150000-113	2	R38, 94
7	MODULE, SELECT	200238-005	1	U11
8	WIRE, INSULATED, AWG 24		A/R	JUMPER FROM A TO B
				JUMPER FROM J TO Z
				JUMPER FROM K TO L
				JUMPER FROM N TO P
				JUMPER FROM S TO T
				JUMPER FROM W TO Y
				JUMPER FROM AA TO AB
				JUMPER FROM AD TO AE
				JUMPER FROM AH TO AK
				JUMPER FROM AM TO AN
				JUMPER FROM AP TO AR
				JUMPER FROM AS TO AT
				JUMPER FROM AV TO AW
				JUMPER FROM BC TO BB
				JUMPER FROM BD TO BE
				JUMPER FROM BH TO BJ
				JUMPER FROM BL TO BM
				SECTOR "0" JUMPER 32
				SECTOR "1" JUMPER 32
	NOTE: JUMPER POINTS NOT LISTED			CHASSIS GND W1
	ARE OPEN (NOT USED)			

MATERIAL LIST

REV C
DWG NO. 200263-012

TITLE
ASSEMBLY, PCB DATA AND INTERFACE
MODEL 270 DOUBLE DENSITY
EXTERNAL PLO SYNC

DWG NO.
200263-012

REV
C **SHEET** 1 **OF** 2

PERSCI, INC.

ITEM NO.	DRAWING TITLE	DWG NO.	QTY	REMARKS
	USE BASIC BD 200263-000 REV "H"			
	OR LATER REVISION AND ADD THE			
	FOLLOWING:			
1				
2				
3	CAPACITOR, TANTL., 10% 0.1 UF	150100-104	1	C36
4	CAPACITOR, TANTL., 10% 0.1 UF	150100-104	2	C40, 41
5				
6	RESISTOR, 1/4 W., 5% 36K	150000-363	2	R88, 94
7	MODULE SELECT	200288-001	1	U11
8	WIRE, INSULATED AWG 24		A/R	JUMPER FROM A TO B
				JUMPER FROM D TO E
				JUMPER FROM F TO G
				JUMPER FROM H TO J
				JUMPER FROM M TO P
				JUMPER FROM R TO S
				JUMPER FROM W TO X
				JUMPER FROM AB TO AC
				JUMPER FROM AD TO AE
				JUMPER FROM AH TO AJ
				JUMPER FROM AL TO AM
				JUMPER FROM AY TO AT
				JUMPER FROM AV TO AW
				JUMPER FROM BA TO BB
				JUMPER FROM BD TO BE
				JUMPER FROM BK TO BM
				CHASSIS GND W1
			*	JUMP BH TO U11 PIN 10
	NOTE: JUMPER POINTS NOT LISTED			
	ARE OPEN (NOT USED)			
	*INSTALL ON BACK SIDE OF PCB			
	USING ITEM 129			

REV	M/L NO.	PERSCI INCORPORATED				MATERIAL LIST					
		TITLE ASSY., PCB DATA & INTERFACE						M/L NO. 200263-012		REV C	
		COMPILED BY: R. MIYASATO		DATE CHECKED BY: 4/25/8		APPROVED BY: DATE		RELEASE/CHANGE DATE			
		NEXT ASSY. 200131-034			1ST USED ON 270 QANTEL		DWG SIZE D		SHEET 2 OF 2		
		ITEM NO.		DRAWING TITLE			DWG NO.		QTY	CODE	REMARKS
129		WIRE, WIRE WRAP			100106		AR				
130											
131		HOUSING, RECEP.			100179-002		1		J50		
132		CONTACT, MALE			100177		2				
133											
134		WIRE, STRAND, PVC			100183-124		AR		BRN		
135		WIRE, STRAND, PVC			100183-524		AR		GRN		
136											
137		INSTRUCTION, MOD.			200633		R				

CODE: D = DETAIL PART WITH NO M/L A = ASSEMBLY WITH M/L
R = REFERENCE DOCUMENT S = SHIP SEPARATE

MATERIAL LIST

REV 10
 DWG NO. 200263-013

TITLE ASSEMBLY, PCB DATA AND INTERFACE	DWG NO. 200263-013	REV /	SHEET 1 OF 1
--	------------------------------	-----------------	---------------------

MODEL 270 SPECIAL INTERFACE	PERSCI, INC.
-----------------------------	---------------------

ITEM NO.	DRAWING TITLE	DWG NO.	QTY	REMARKS
	USE BASIC BD 200263-000			
	REVISION 'N' AND LATER			
	ADD THE FOLLOWING			
1				
2				
3	CAPACITOR, TANTL., 10% 0.1UF	150100-104	1	C36
4	CAPACITOR, TANTL., 10% 0.1UF	150100-104	2	C40,41
5				
6	RESISTOR 1/4W., 5% 36K	150000-363	2	R88,94
7	MODULE, SELECT	200288-003	1	U11
8	WIRE, INSULATED AWG24		A/R	JUMPER FROM A TO B
				JUMPER FROM D TO E
				JUMPER FROM F TO G
				JUMPER FROM H TO J
				JUMPER FROM M TO P
				JUMPER FROM R TO S
				JUMPER FROM W TO X
				JUMPER FROM AA TO AB
				JUMPER FROM AD TO AE
				JUMPER FROM AK TO AH
				JUMPER FROM AM TO AN
				JUMPER FROM AY TO AT
				JUMPER FROM AV TO AW
				JUMPER FROM BA TO BB
				JUMPER FROM BD TO BE
				JUMPER FROM BK TO BM
				JUMPER FROM U TO V
				SECTOR O JUMPER I
	NOTE: JUMPER POINTS NOT LISTED			SECTOR I JUMPER I
	ARE OPEN (NOT USED)			CHASSIS GND WI

PERSCI, INC.

**12210 Nebraska Ave
W Los Angeles
CA 90025**

MAY, 1978