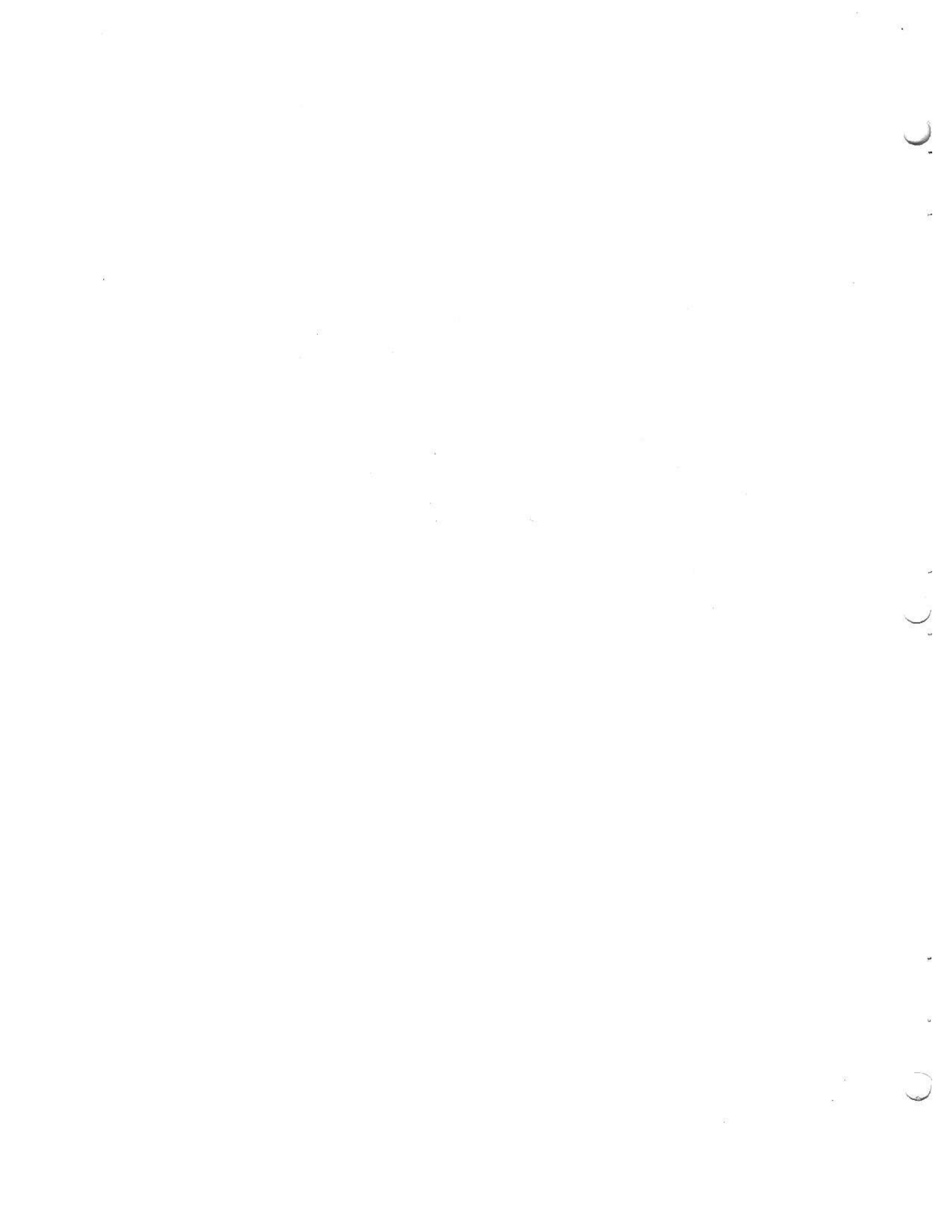


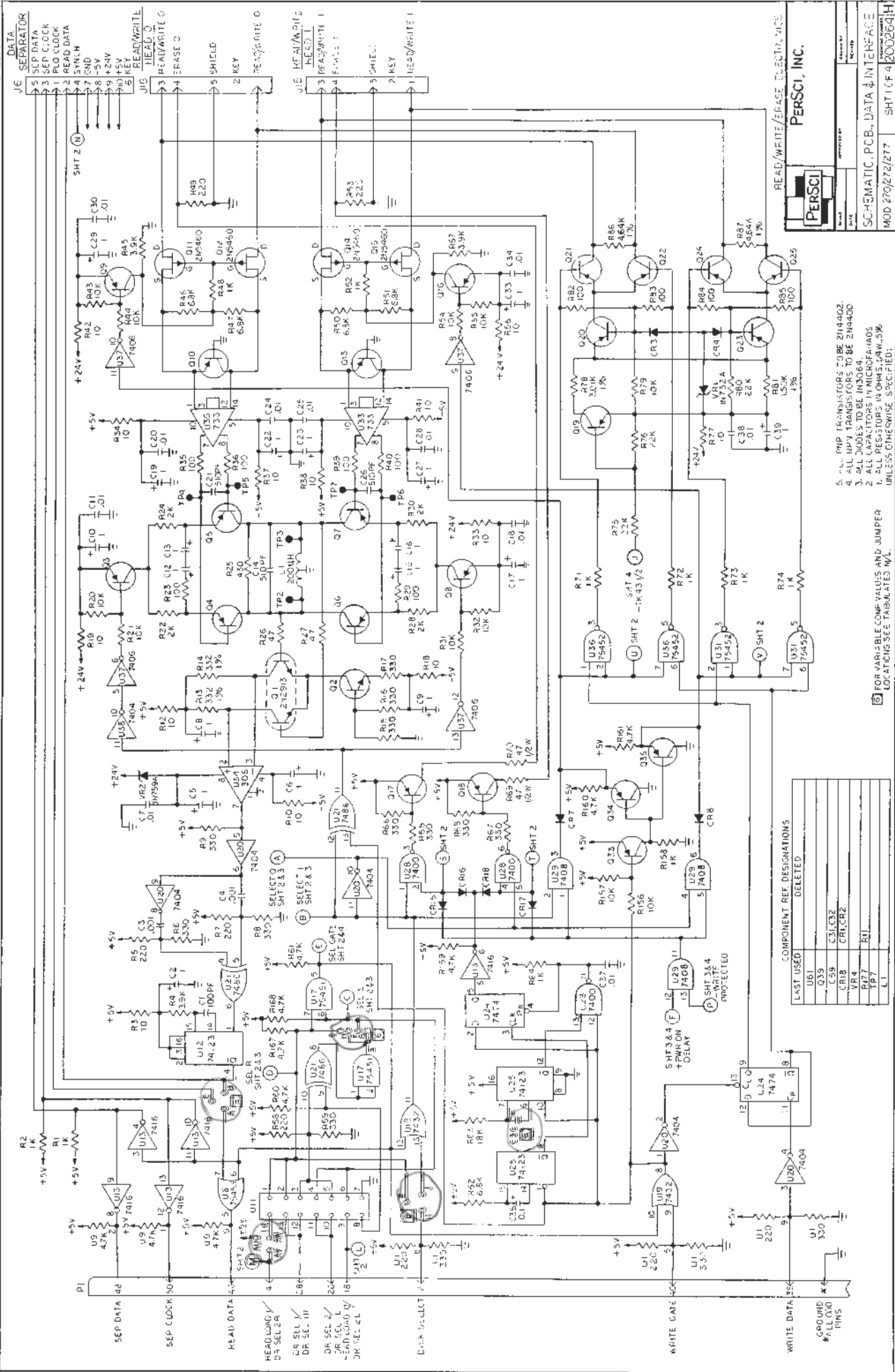


Logic & Schematic Diagram
Diskette Drive
Models 270/272/277



**This Document was scanned and
contributed by:**

Barry A. Watzman



PERSCI, INC.

PERSCI

SCHEMATIC PCB, DATA & INTERFACE
 MOD 2702/272/277 SHT 1 OF 4 200264H

5. ALL PNP TRANSISTORS TO BE 2N1402
4. ALL NPN TRANSISTORS TO BE 2N1404
3. ALL 200LES TO BE IN3064.
2. ALL CAPACITORS IN MICROFARADS
1. ALL RESISTORS IN OHMS, K=1K, M=1M UNLESS OTHERWISE SPECIFIED.

FOR VARIABLE COMPONENT VALUES AND JUMPER LOCATIONS SEE TABULATED WL.

COMPONENT REF DESIGNATIONS

LAST USED	DELETED
U61	
U39	
C31, C32	
C18	CR1, CR2
VR4	
VR1	
VR2	
VR3	
U1	

REV	DESCRIPTION	DATE	APPROVED
A	INTG REL		
B	ECC #12		
C	ECC #13		
D	ECC #45		
E	ECC #57		
F	ECC #59		
G	ECC #28		
H	ECC #34		

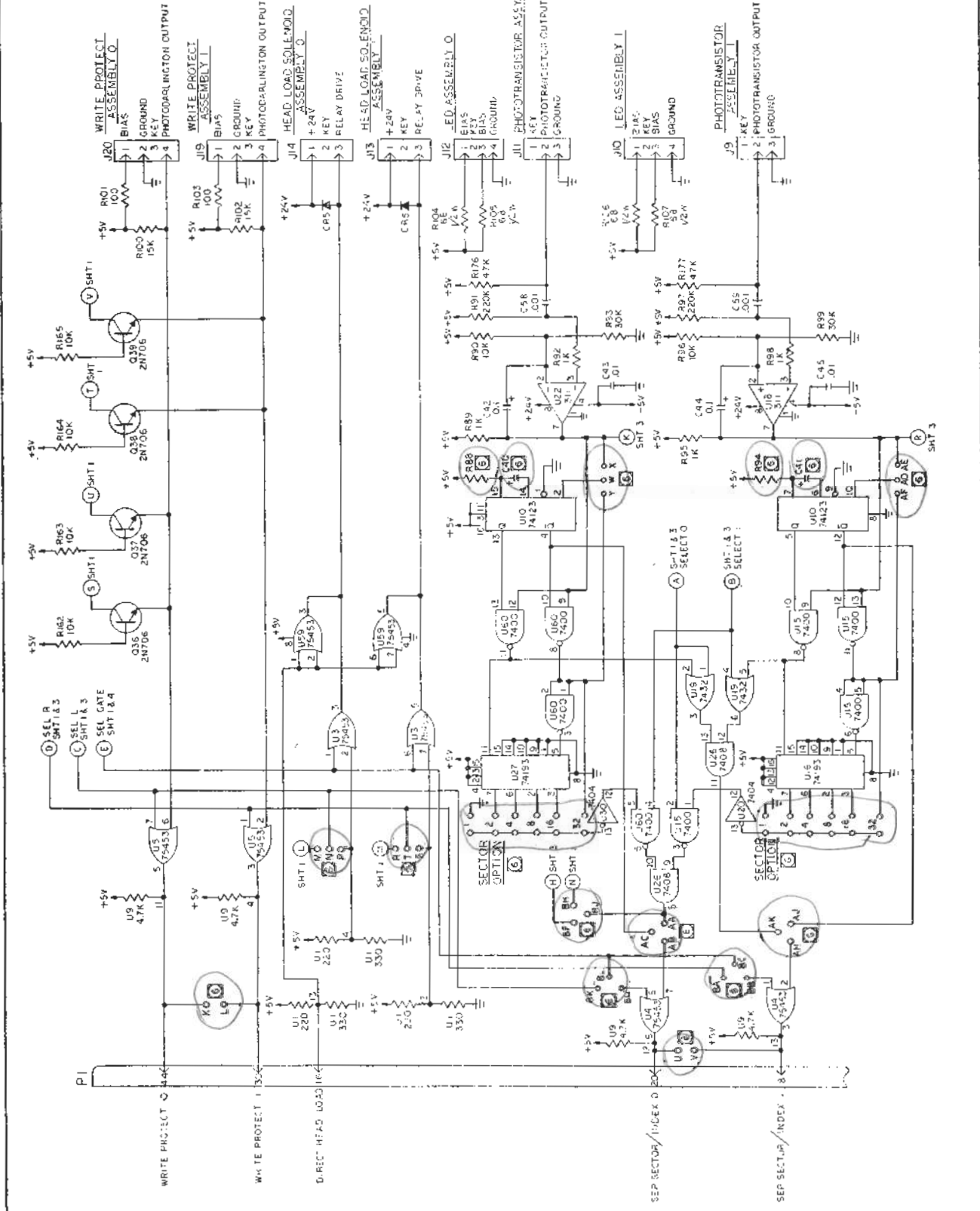
REV	DESCRIPTION	DATE	APPROVED
A	INTG REL		
B	ECC #12		
C	ECC #13		
D	ECC #45		
E	ECC #57		
F	ECC #59		
G	ECC #28		
H	ECC #34		

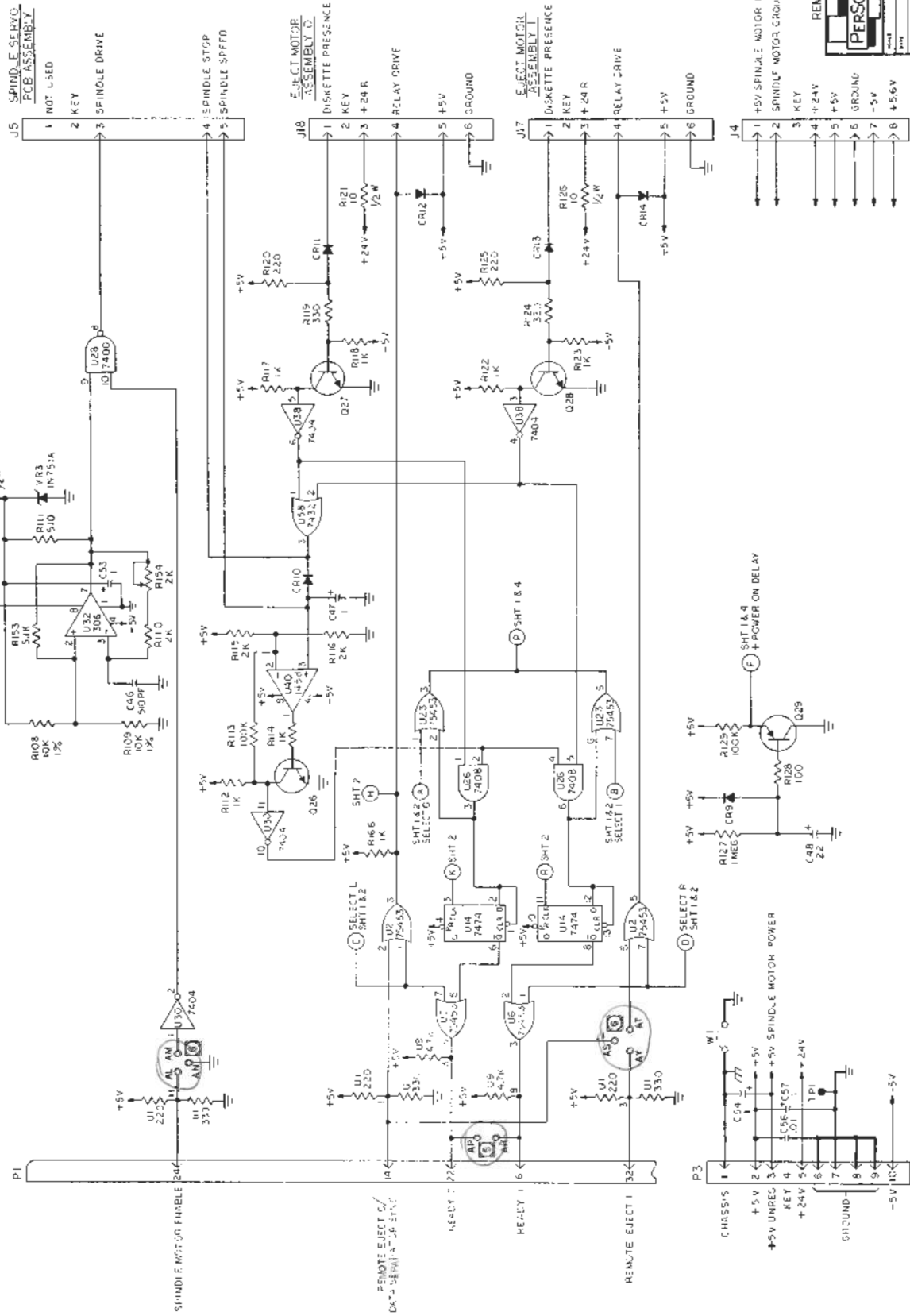
WRITE PROTECT. HUBCARD INDEX

PERSCI

SCHEMATIC PCB: DATA & INTERFACE

MOB 274727277 SHT 2 OF 4 (200254H)



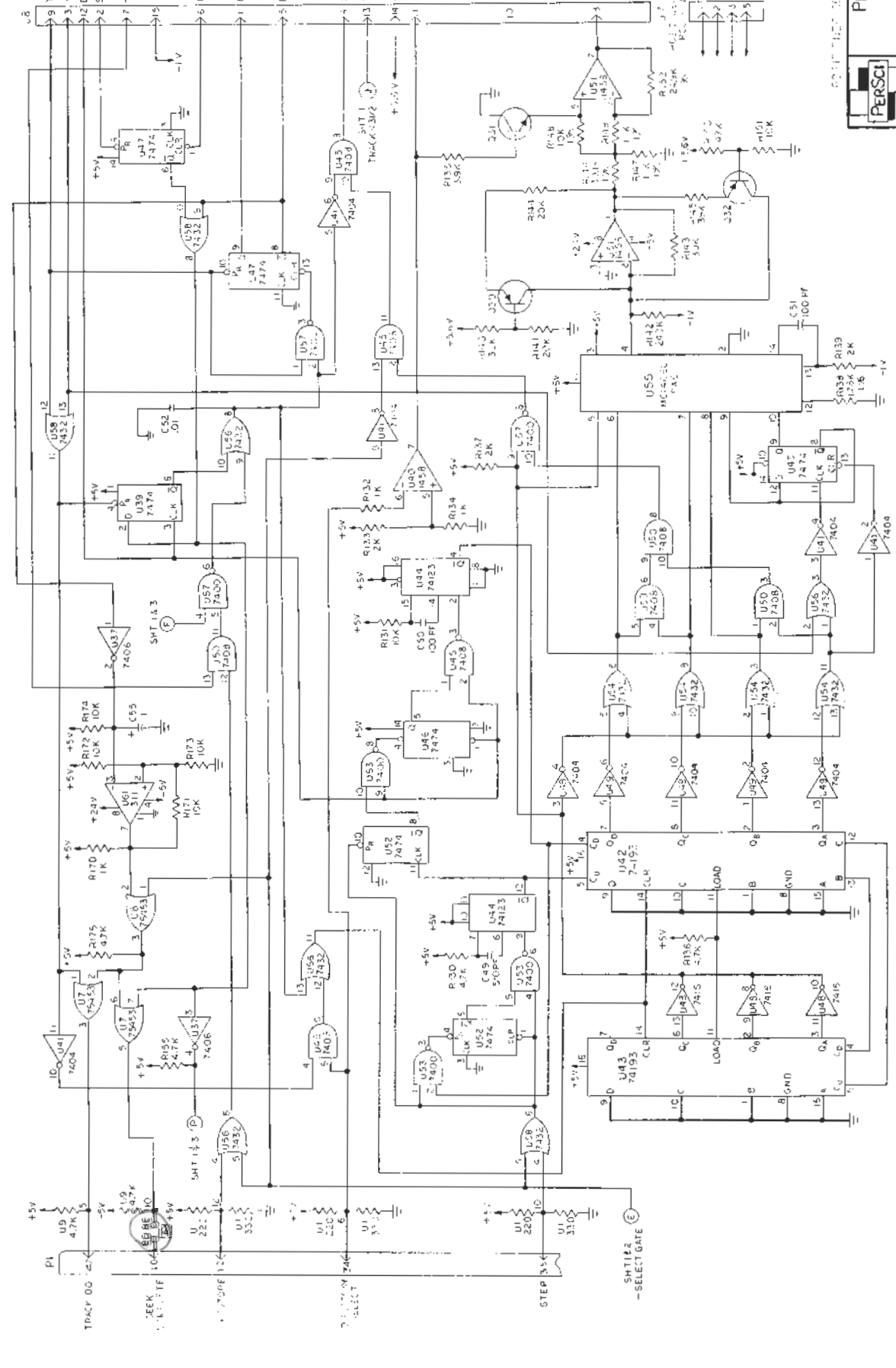


PERSCI, INC.

SCHEMATIC PCB DATA INTERFACE

MOD 270/272/277 SHIT 7 OF 4 200254H

POSITIONER SERVO
P.C.B. ASSEMBLY



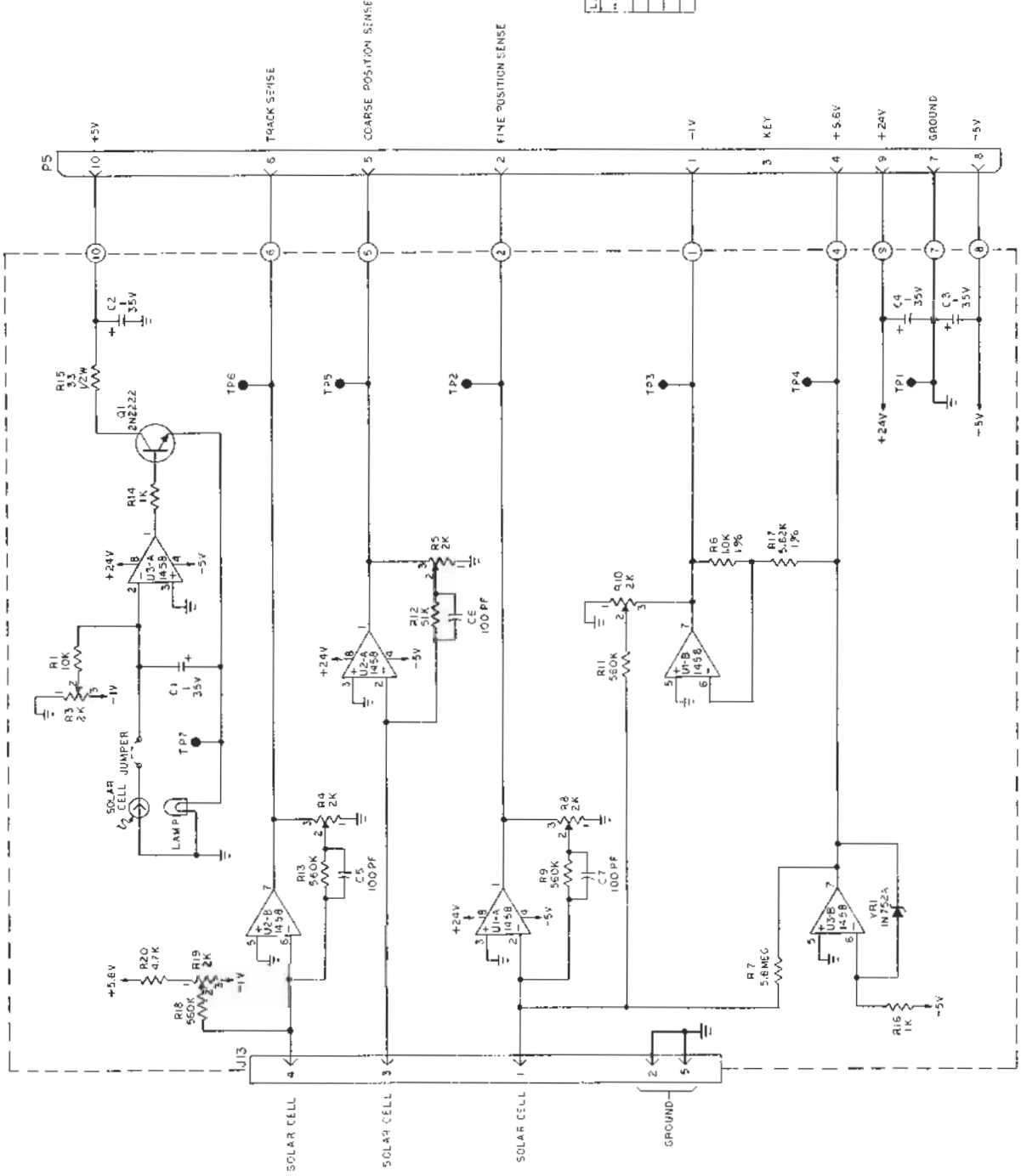
- 1 TRACK 00
- 2 HALF TRACKS
- 3 DETECT PULSES
- 4 SEEK COMPLETE
- 5 -TRACKS
- 6 HOLD (+)
- 7 FIND TRACK 00
- 8 FIND TRACK 00
- 9 TRACK 00
- 10 TRACK 00
- 11 TRACK 00
- 12 TRACK 00
- 13 TRACK 00
- 14 TRACK 00
- 15 TRACK 00
- 16 TRACK 00
- 17 TRACK 00
- 18 TRACK 00
- 19 TRACK 00
- 20 TRACK 00
- 21 TRACK 00
- 22 TRACK 00
- 23 TRACK 00
- 24 TRACK 00
- 25 TRACK 00
- 26 TRACK 00
- 27 TRACK 00
- 28 TRACK 00
- 29 TRACK 00
- 30 TRACK 00
- 31 TRACK 00
- 32 TRACK 00
- 33 TRACK 00
- 34 TRACK 00
- 35 TRACK 00
- 36 TRACK 00
- 37 TRACK 00
- 38 TRACK 00
- 39 TRACK 00
- 40 TRACK 00
- 41 TRACK 00
- 42 TRACK 00
- 43 TRACK 00
- 44 TRACK 00
- 45 TRACK 00
- 46 TRACK 00
- 47 TRACK 00
- 48 TRACK 00
- 49 TRACK 00
- 50 TRACK 00
- 51 TRACK 00
- 52 TRACK 00
- 53 TRACK 00
- 54 TRACK 00
- 55 TRACK 00
- 56 TRACK 00
- 57 TRACK 00
- 58 TRACK 00
- 59 TRACK 00
- 60 TRACK 00
- 61 TRACK 00
- 62 TRACK 00
- 63 TRACK 00
- 64 TRACK 00
- 65 TRACK 00
- 66 TRACK 00
- 67 TRACK 00
- 68 TRACK 00
- 69 TRACK 00
- 70 TRACK 00
- 71 TRACK 00
- 72 TRACK 00
- 73 TRACK 00
- 74 TRACK 00
- 75 TRACK 00
- 76 TRACK 00
- 77 TRACK 00
- 78 TRACK 00
- 79 TRACK 00
- 80 TRACK 00
- 81 TRACK 00
- 82 TRACK 00
- 83 TRACK 00
- 84 TRACK 00
- 85 TRACK 00
- 86 TRACK 00
- 87 TRACK 00
- 88 TRACK 00
- 89 TRACK 00
- 90 TRACK 00
- 91 TRACK 00
- 92 TRACK 00
- 93 TRACK 00
- 94 TRACK 00
- 95 TRACK 00
- 96 TRACK 00
- 97 TRACK 00
- 98 TRACK 00
- 99 TRACK 00
- 100 TRACK 00

PERSCI, INC.

DESIGNED BY: _____
 DRAWN BY: _____
 CHECKED BY: _____
 DATE: _____

COMPONENTS: P.C.B., DATA SHEET INTERFACE
 MOD 270(272/277) SHT 4014 230825-11H

REVISIONS		20080810 D
REV	DESCRIPTIONS	DATE
A	ENGIN REL	10/10/77
B	ADD R14, R15, R20	10/10/77
C	ECC 63 MFG. REL	10/10/77
D	SEE ECD 77	10/10/77

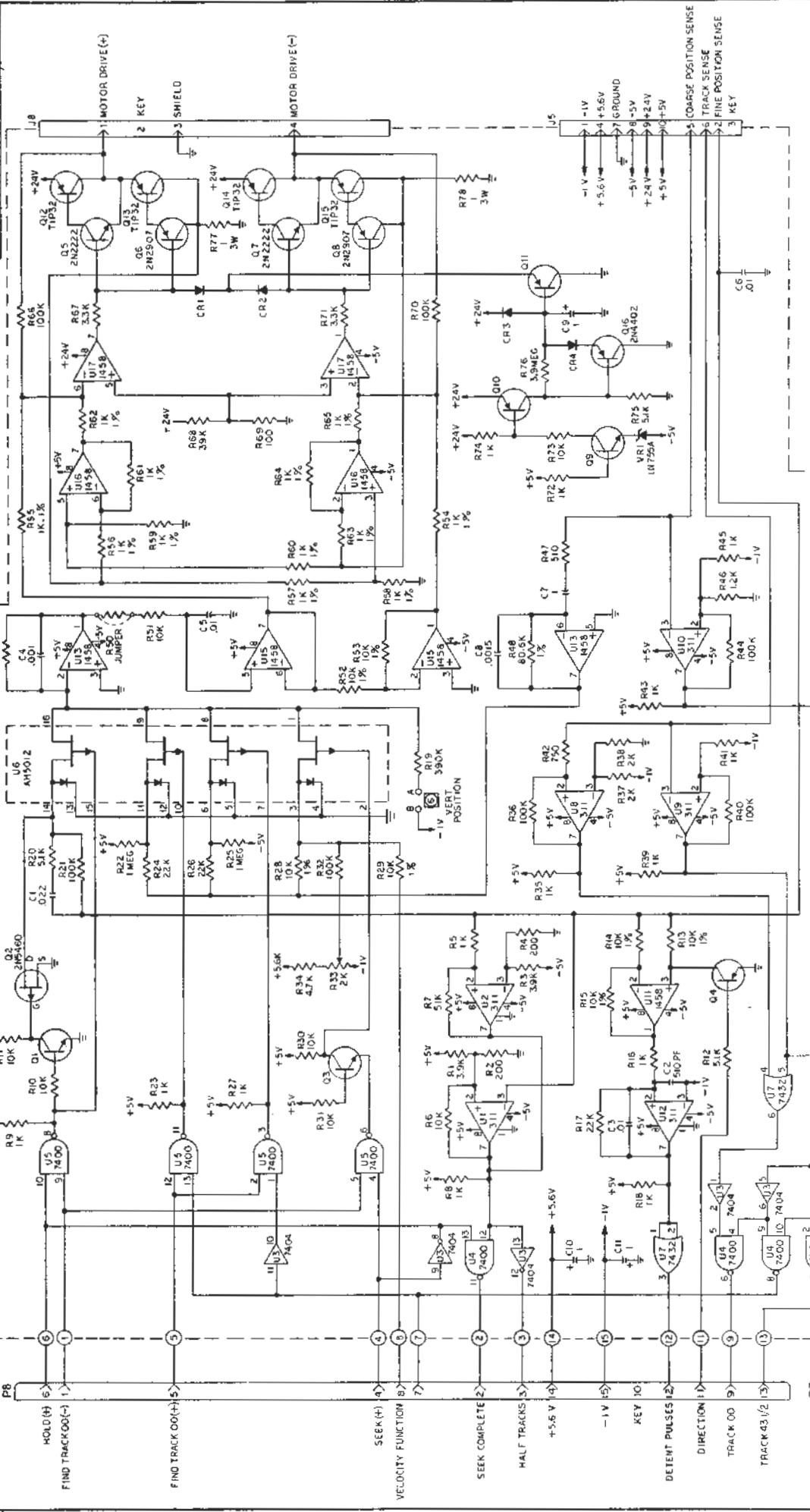


COMP. REF. DESIGNATIONS	DELETED
U3	
Q1	
C1	
C7	
R20	
R2	
TP7	

2 ALL CAPACITOR VALUES IN MICROFARADS.
 1 ALL RESISTOR VALUES IN OHMS. (4K=4,5K=5K)
 UNLESS OTHERWISE SPECIFIED.

PERSCI
 PERSCI, INC.
 SCHEMATIC PCB LAMP AMPLIFIER
 MOD 270272/277 SHT 10/1 20080810 D

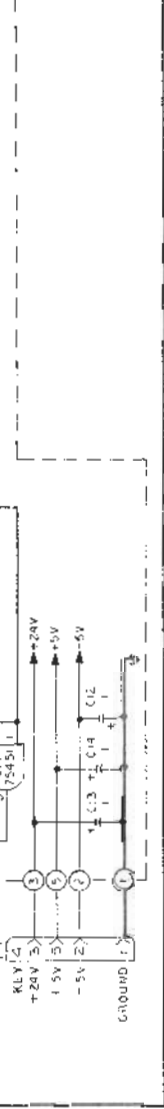
REV	ENGINEER	REL. NO.	DESCRIPTION	DATE	BY
A	W. J. WILSON	100	REVISIONS	10/27/77	W. J. WILSON
B	W. J. WILSON	100	REVISIONS	10/27/77	W. J. WILSON



REV	ENGINEER	REL. NO.	DESCRIPTION	DATE	BY
A	W. J. WILSON	100	REVISIONS	10/27/77	W. J. WILSON
B	W. J. WILSON	100	REVISIONS	10/27/77	W. J. WILSON

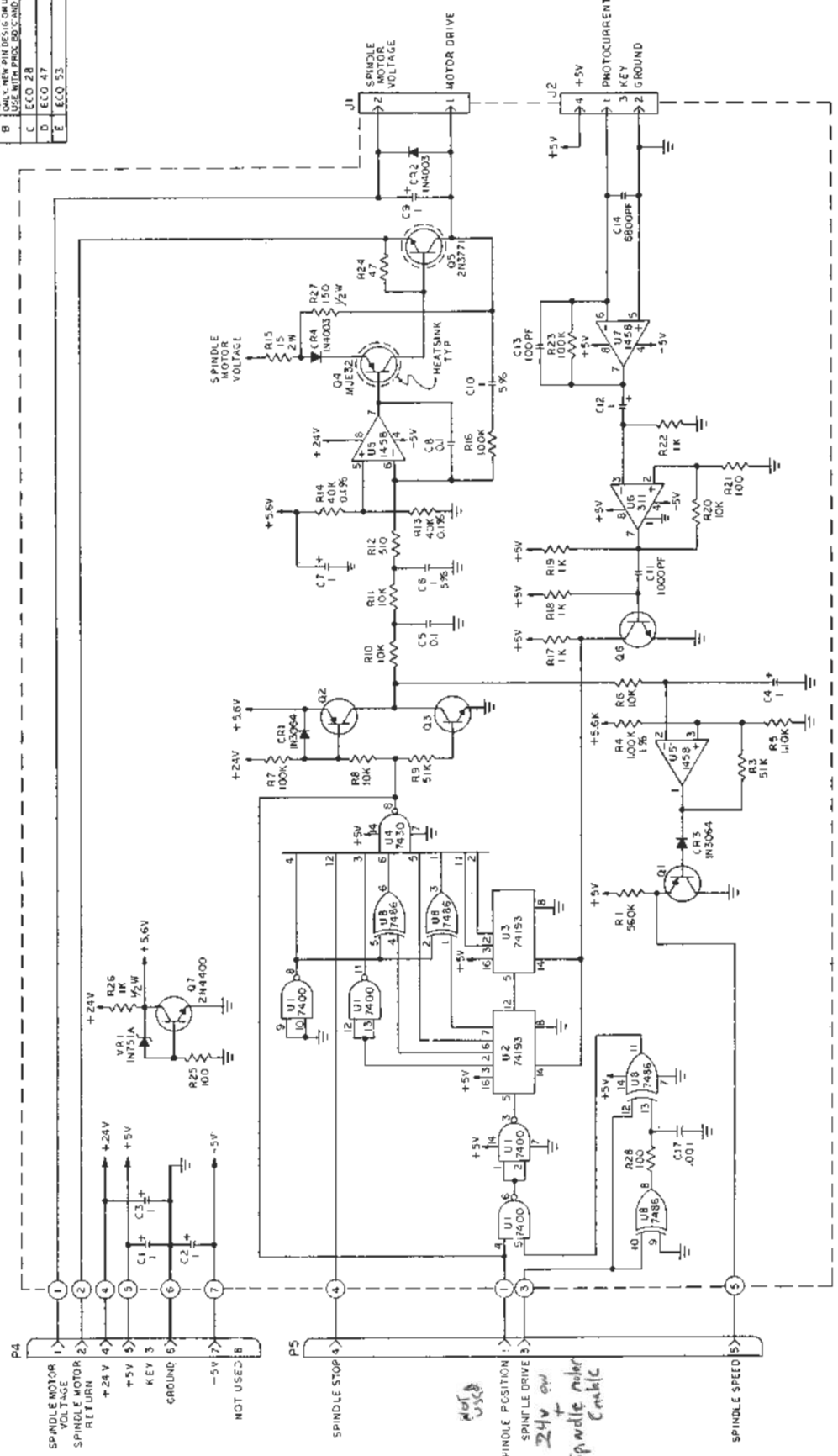
FOR JUMPER LOCATIONS SEE M.L.
 1 ALL NPX TRANSISTORS TO BE 2N4402.
 2 ALL PNPs TRANSISTORS TO BE 2N4402.
 3 ALL DIODES TO BE 1N4148.
 4 ALL CAPACITORS TO BE MICRORADARS.
 5 ALL RESISTORS TO OHMS, 1/4 W, 5%.
 UNLESS OTHERWISE SPECIFIED

LAST USED	UNLETTED
U17	
U16	
U15	
U14	
U13	
U12	
U11	
U10	
U9	
U8	
U7	
U6	
U5	
U4	
U3	
U2	
U1	



PERSCI, INC.
 MODEL 270/272/277 SMT 10/1 2000300B

REV.	DESCRIPTION	DATE	BY
A	FUNCTIONAL DESCRIPTION	10/20/77	WJ
B	REVISIONS TO PARTS AND DESCRIPTION	11/1/77	WJ
C	USE WITH PWB, 80-1 AND UP	11/1/77	WJ
D	ECCO 47	11/1/77	WJ
E	ECCO 53	11/1/77	WJ



REF DESIGNATIONS	LAST USED	DELETED
U1	U1	
U2	U2	
U3	U3	
U4	U4	
U5	U5	
U6	U6	
U7	U7	
U8	U8	
U9	U9	
U10	U10	
U11	U11	
U12	U12	
U13	U13	
U14	U14	
U15	U15	
U16	U16	
U17	U17	
U18	U18	
U19	U19	
U20	U20	
U21	U21	
U22	U22	
U23	U23	
U24	U24	
U25	U25	
U26	U26	
U27	U27	
U28	U28	
U29	U29	
U30	U30	

- 4 ALL PNP TRANSISTORS TO BE 2N4402.
 - 3 ALL NPN TRANSISTORS TO BE 2N4400.
 - 2 ALL CAPACITOR VALUES IN MICROFARADS.
 - 1 ALL RESISTOR VALUES IN OHMS, 1/4W, 5%.
- UNLESS OTHERWISE SPECIFIED:

PERSCI, INC.

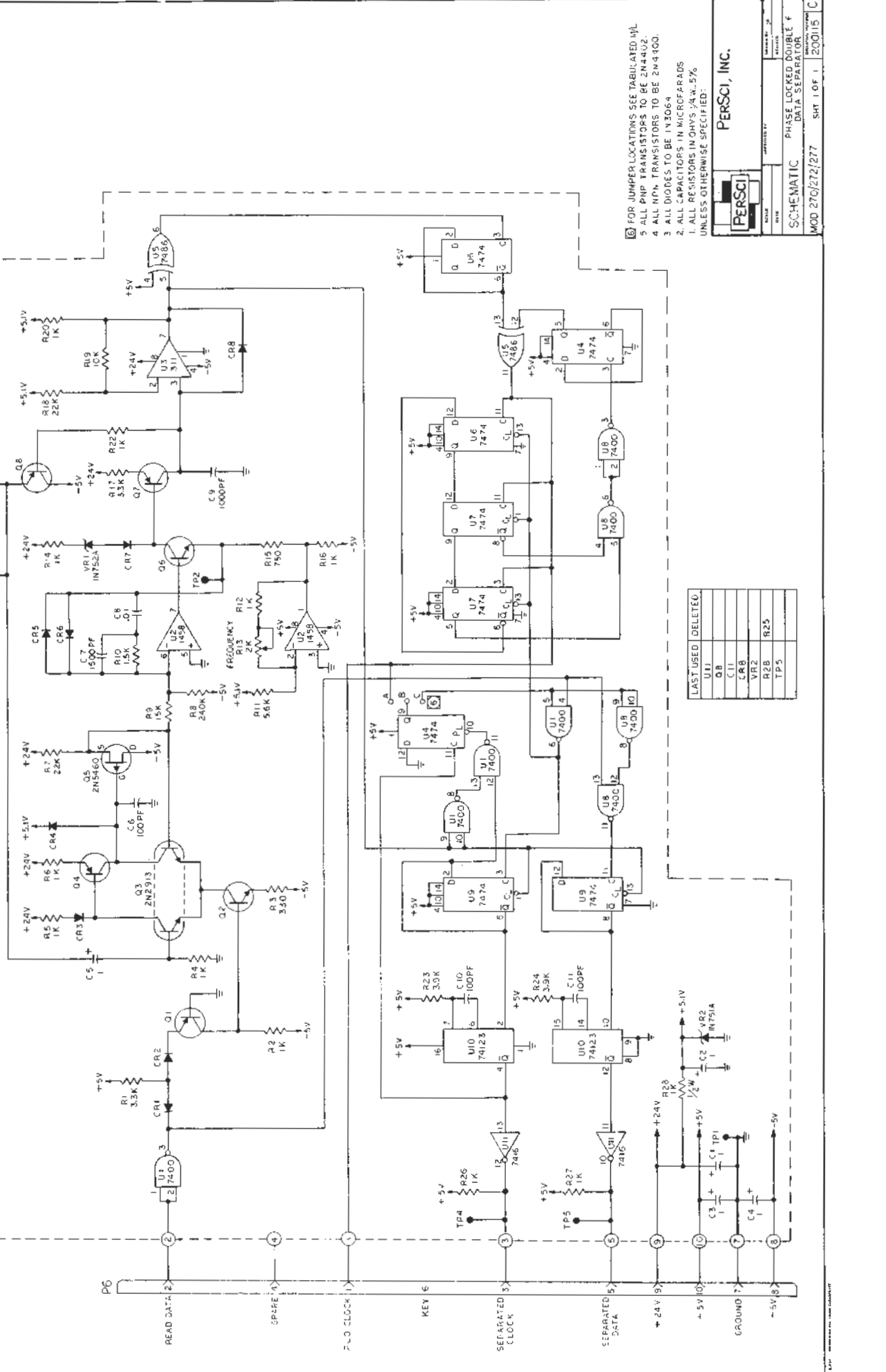
SCHEMATIC, PCB, SPINDLE SERVO

MOD 270/272/77 SKT 10F 1 200133 E

not used
24V on spindle motor cable

REV	REVISIONS	DATE
A	ENGINE DEL	7/27/72
B	PHYSICAL ADJUSTMENT	8/1/72
C	PHYSICAL ADJUSTMENT	8/1/72

REV	REVISIONS	DATE
A	ENGINE DEL	7/27/72
B	PHYSICAL ADJUSTMENT	8/1/72
C	PHYSICAL ADJUSTMENT	8/1/72



- FOR JUMPER LOCATIONS SEE TABULATED INL
- 5 ALL PNP TRANSISTORS TO BE 2N4402.
- 4 ALL NPN TRANSISTORS TO BE 2N4400.
- 3 ALL DIODES TO BE 1N3064
- 2 ALL CAPACITORS IN MICROSECONDS
- 1 ALL RESISTORS IN OHMS 1/4% .5%
- UNLESS OTHERWISE SPECIFIED:

PERSCI, INC.

MOD 270/272/277

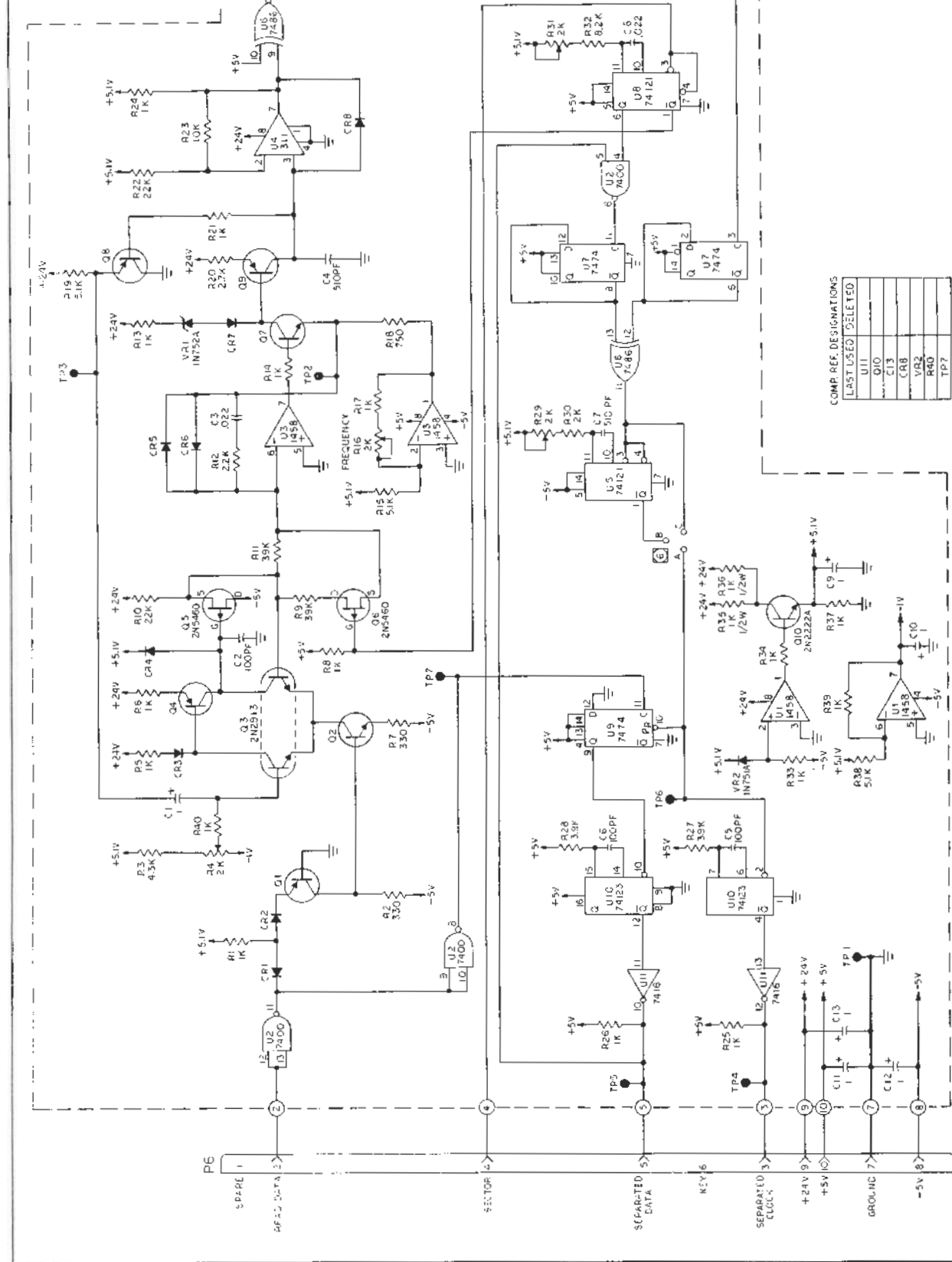
PHASE LOCKED DOUBLE DATA SEPARATOR

SHT 1 OF 1

200115

LAST USED	DELETED
U11	
Q8	
C11	
CR8	
VR2	
R28	
TP5	

REV	DATE	BY	DESCRIPTION
1	10/20/77	REL	REVISED
2	11/10/77	REL	REVISED
3	11/10/77	REL	REVISED
4	11/10/77	REL	REVISED



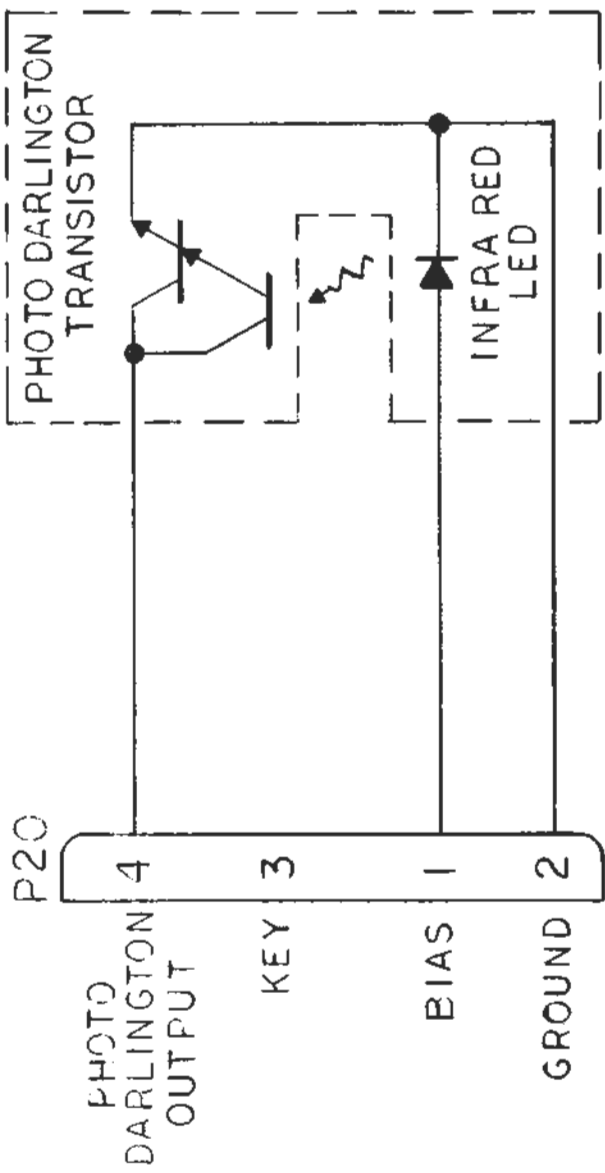
- 1. FOR JUMPER LOCATIONS SEE TABULATED MP-
- 2. ALL PNP TRANSISTORS TO BE 2N4402
- 3. ALL VPN TRANSISTORS TO BE IN3564.
- 4. ALL DIODES TO BE IN3564.
- 5. ALL CAPACITORS IN MICROFARADS.
- 6. ALL RESISTORS IN OHMS UNLESS OTHERWISE SPECIFIED.

COMP. REF. DESIGNATIONS	
U11	DELETED
U10	DELETED
C13	DELETED
CR8	DELETED
VR2	DELETED
R40	DELETED
TP7	DELETED

PERSCI, INC.

SCHF MAIL: DOUBLE DENSITY DATA SEPARATOR

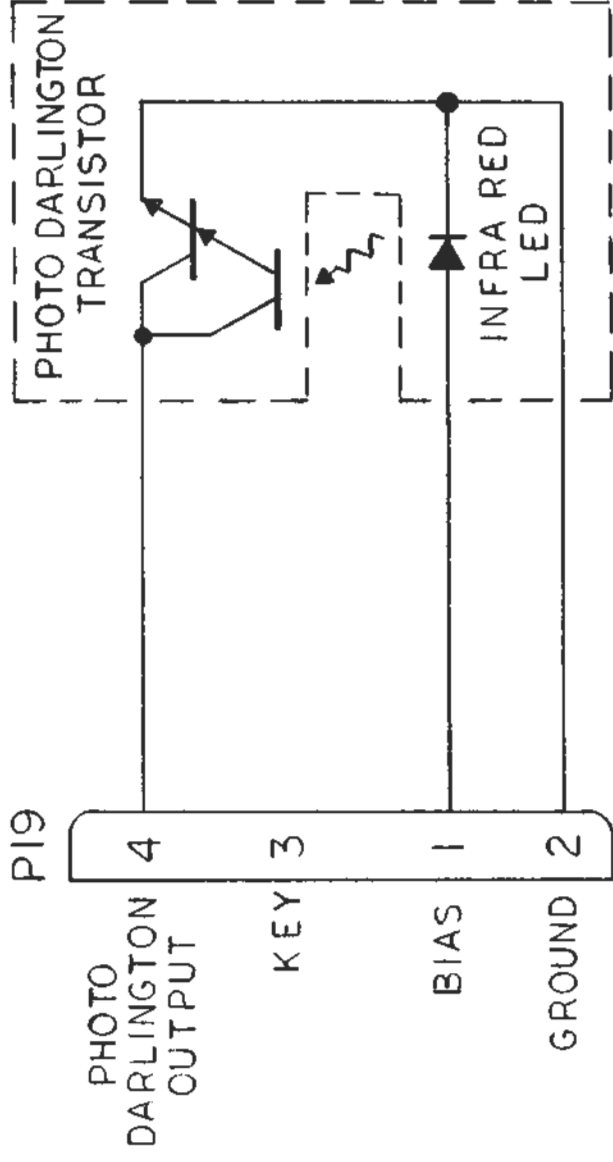
WCD 270272/277 5th 107 2025-A



PERSCI, INC.

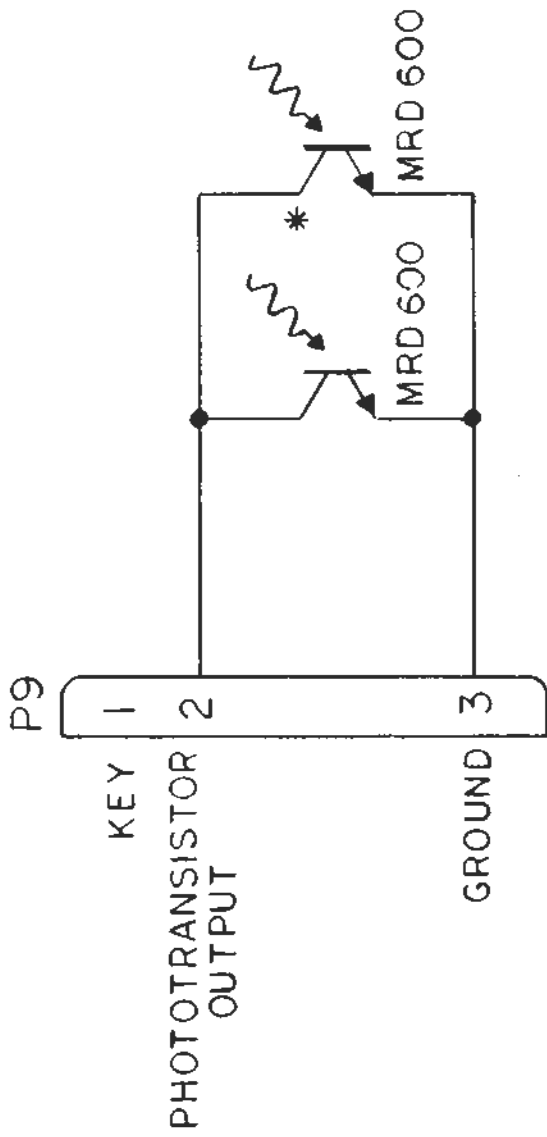
SCHEMATIC
WRITE PROTECT MODULE
SIDE 0

270/272/277	SHT 10F1	200231	A
-------------	----------	--------	---



PERSCI, INC.

SCHEMATIC
WRITE PROTECT MODULE
SIDE 1



NOTE
 SECOND PHOTOTRANSISTOR
 OPTIONAL FOR DUAL INDEX
 OPTION.



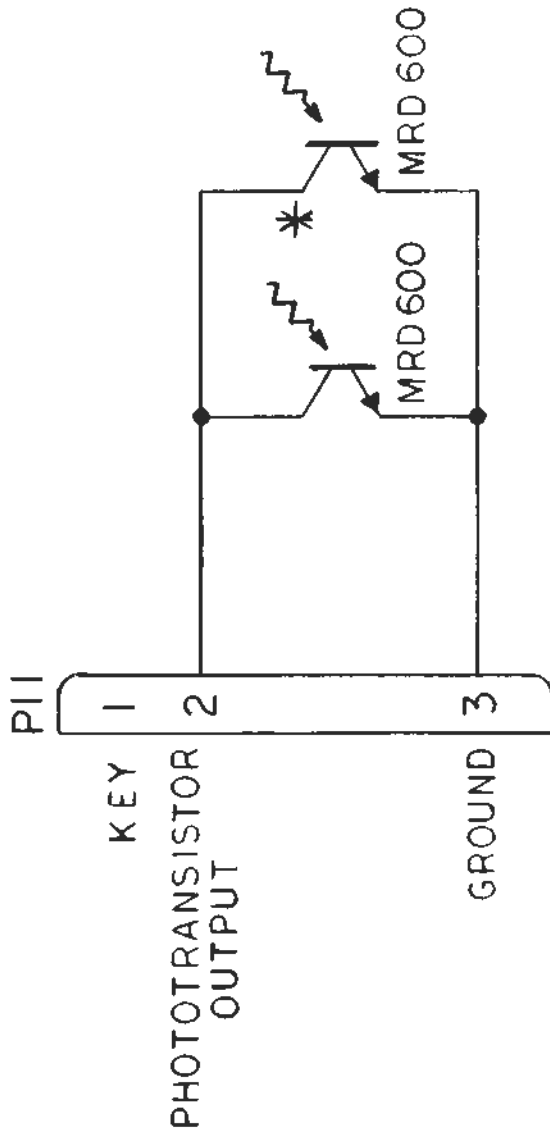
PERSCI, INC.

SCHEMATIC
 PHOTOTRANSISTOR ASSEMBLY
 SIDE 0

270/272/277 SHT 10F 1

200233

A



* NOTE
 SECOND PHOTOTRANSISTOR
 OPTIONAL FOR DUAL INDEX
 OPTION.

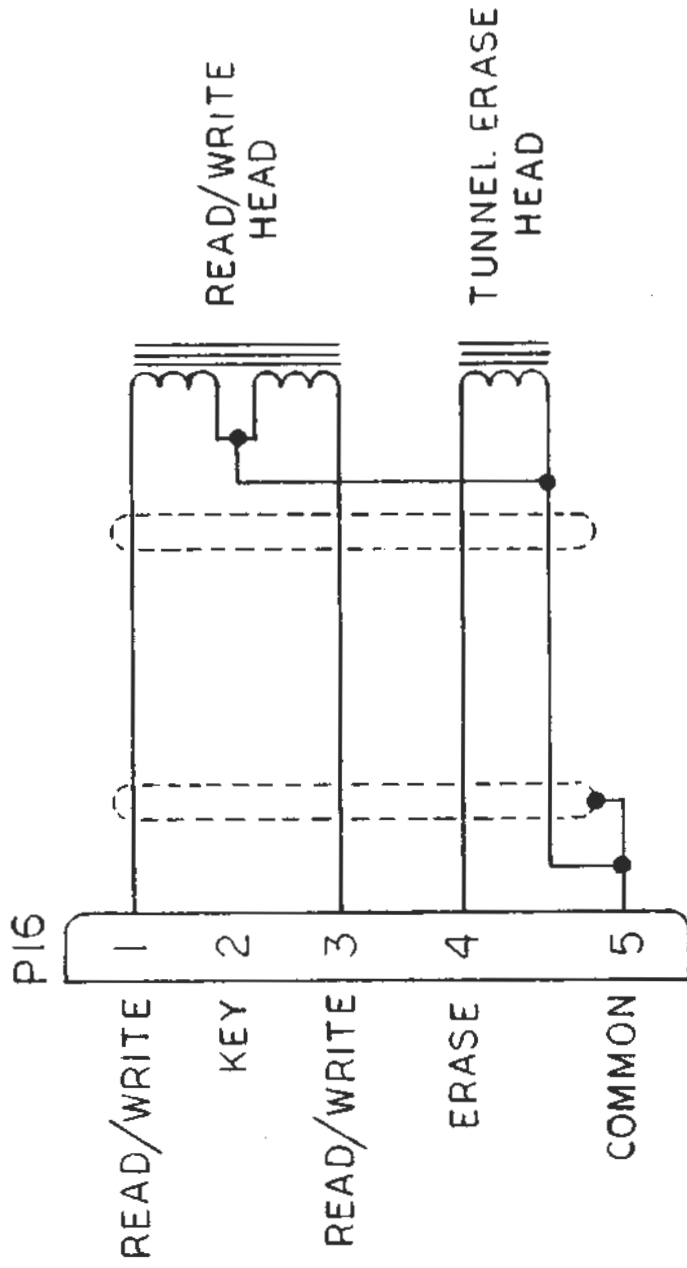


PERSCI, INC.

SCHEMATIC
 PHOTOTRANSISTOR ASSEMBLY
 SIDE 1

270/272/277 SHT 1 OF 1

200234 A



PERSCI, INC.



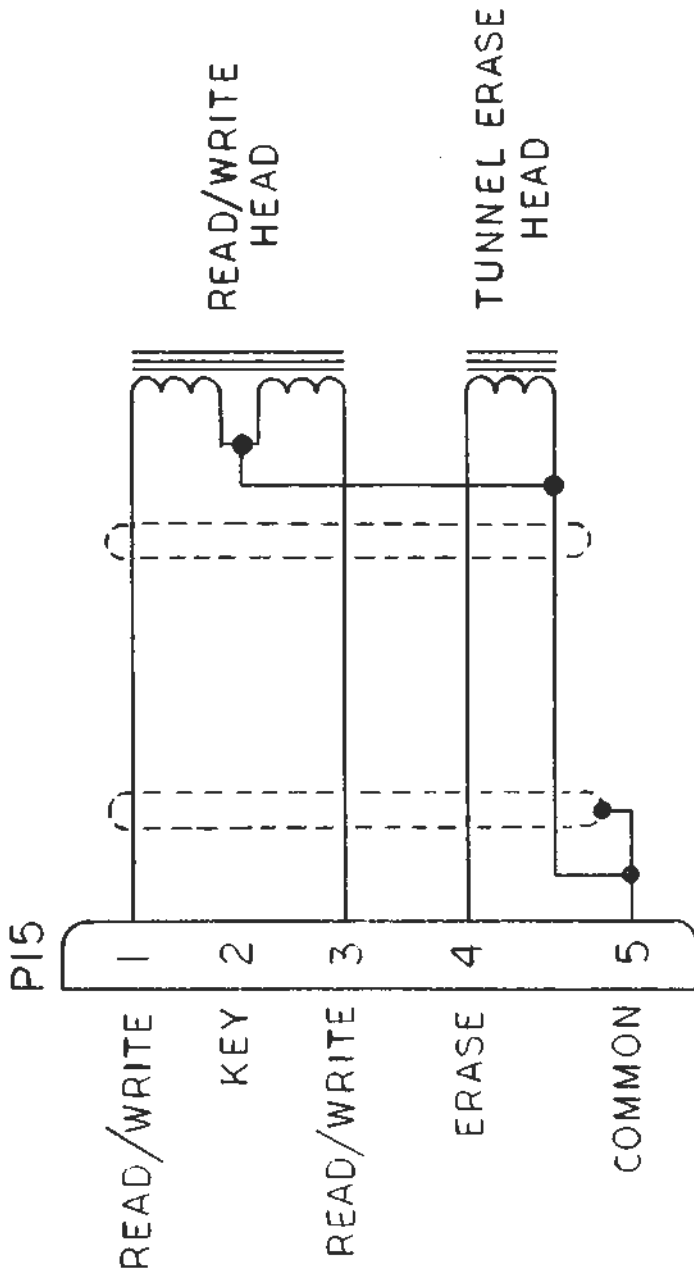
SCHEMATIC
 READ/WRITE HEAD ASSEMBLY
 SIDE 0

270/272/277

SHT 1 OF 1

200235

A

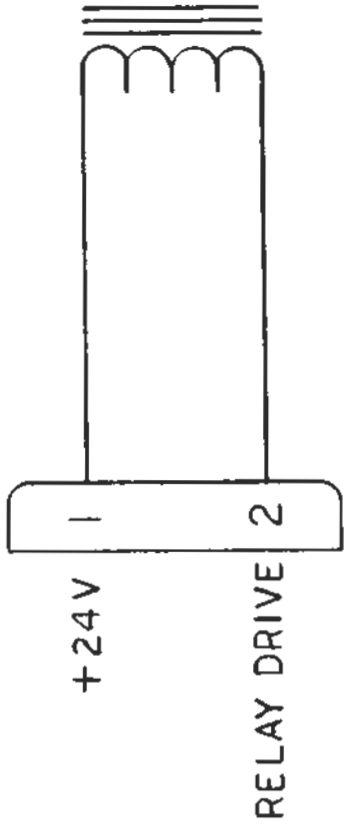


PERSCI, INC.

SCHEMATIC
 READ/WRITE HEAD ASSEMBLY
 SIDE 1

270/272/277	SHT 10F 1	200236	A
-------------	-----------	--------	---

PI4



PERSCI, INC.

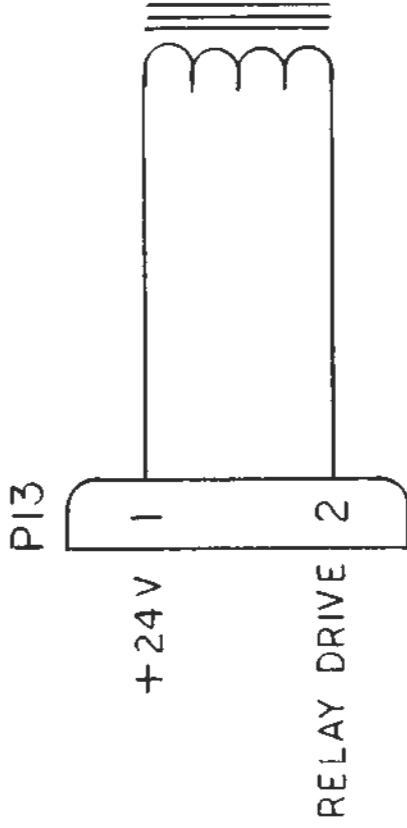
SCHMATIC
HEAD LOAD ASSEMBLY
SIDE 0

270/272/277

SHT 1 OF 1

200237

A



PERSCI, INC.

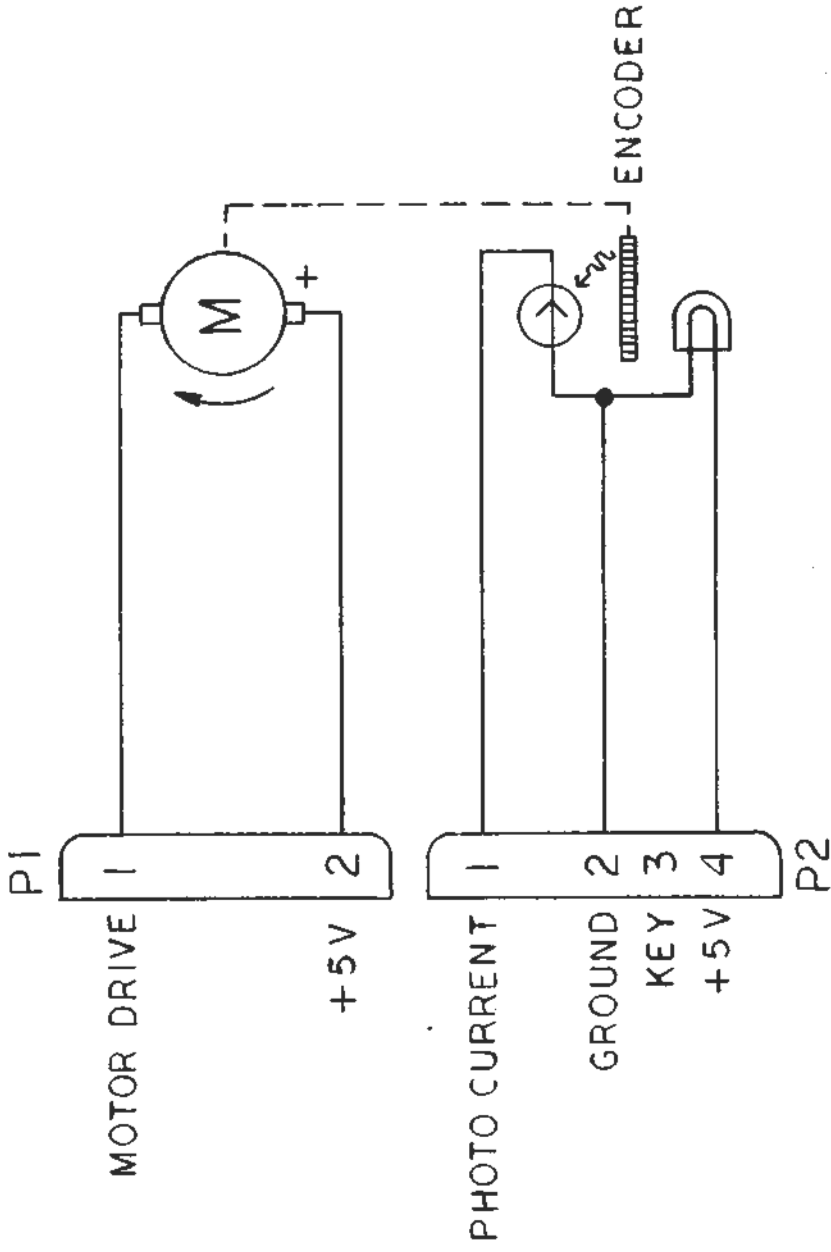
SCHMATIC
HEAD LOAD ASSEMBLY
SIDE 1

270/272/277

SHT 1 OF 1

200238

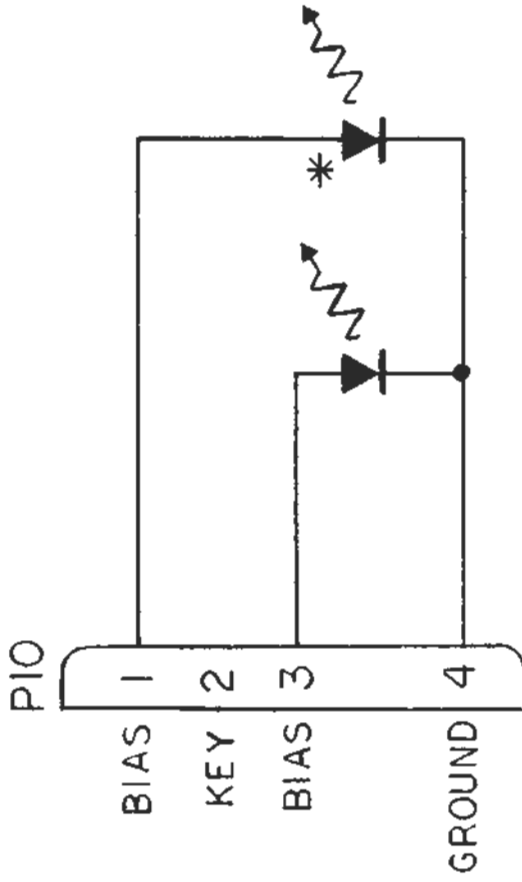
A



PERSCI, INC.

SCHEMATIC
SPINDLE MOTOR ASSEMBLY

270/272/277	SHT 1 OF 1	200239	A
-------------	------------	--------	---



* NOTE:
 SECOND LED OPTIONAL FOR
 DUAL INDEX OPTION DRIVE.



PERSCI, INC.

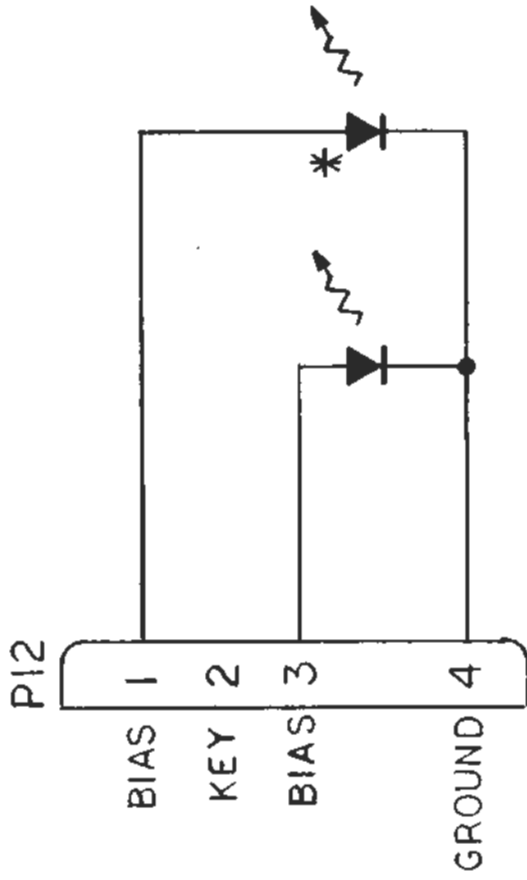
SCHEMATIC
 LED ASSEMBLY
 SIDE 0

270/272/277

SHT10F1

200240

A



*NOTE
 SECOND LED OPTIONAL FOR
 DUAL INDEX OPTION DRIVE.



PERSCI, INC.

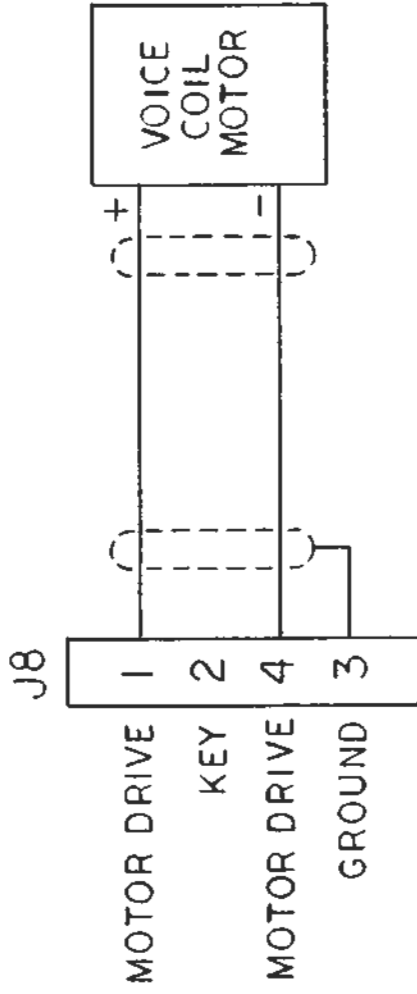
SCHEMATIC
 LED ASSEMBLY
 SIDE 1

270/272/277

SHT 1 OF 1

200241

A



PERSCI, INC.

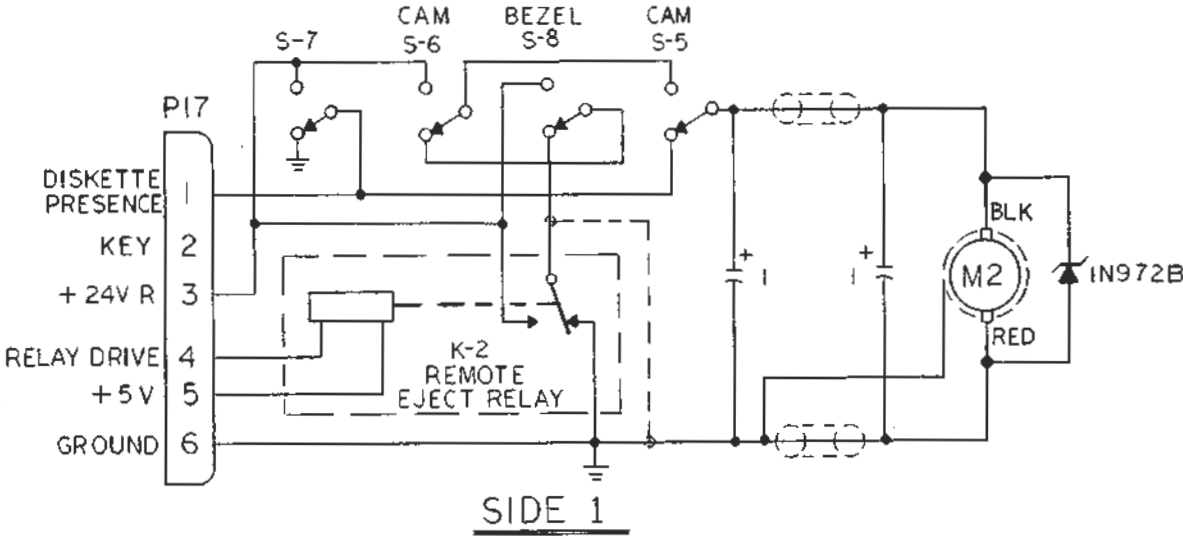
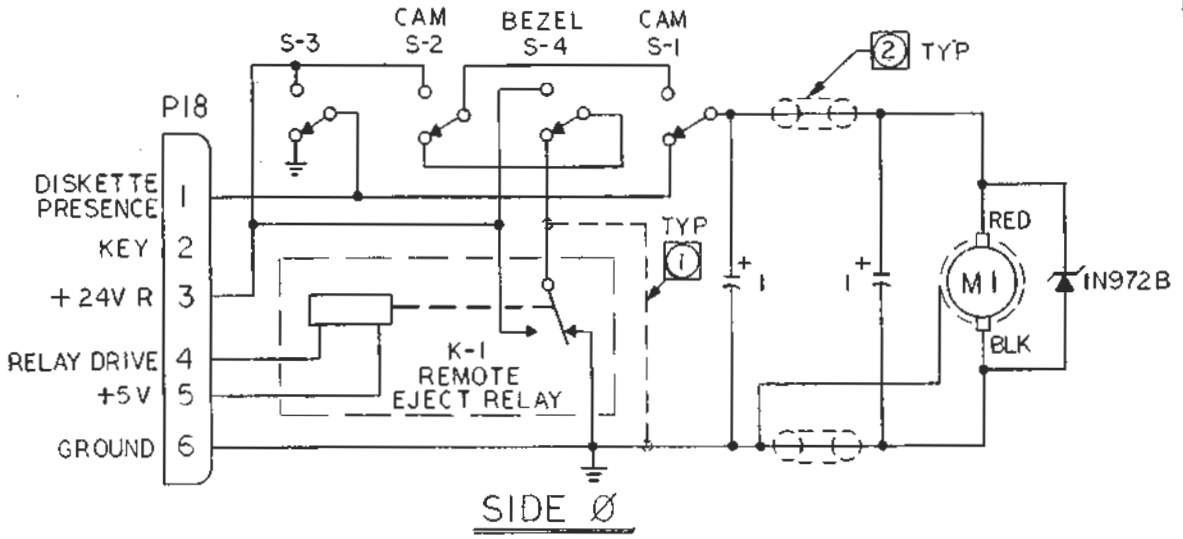


SCHEMATIC
POSITIONER MOTOR

270/272/277 SHT 1 OF 1

200242 A

REVISIONS			200243		B
REV.	DESCRIPTION	CHK.	DATE	APPROVED	
A	MFG RELEASE				
B	ECO 109				

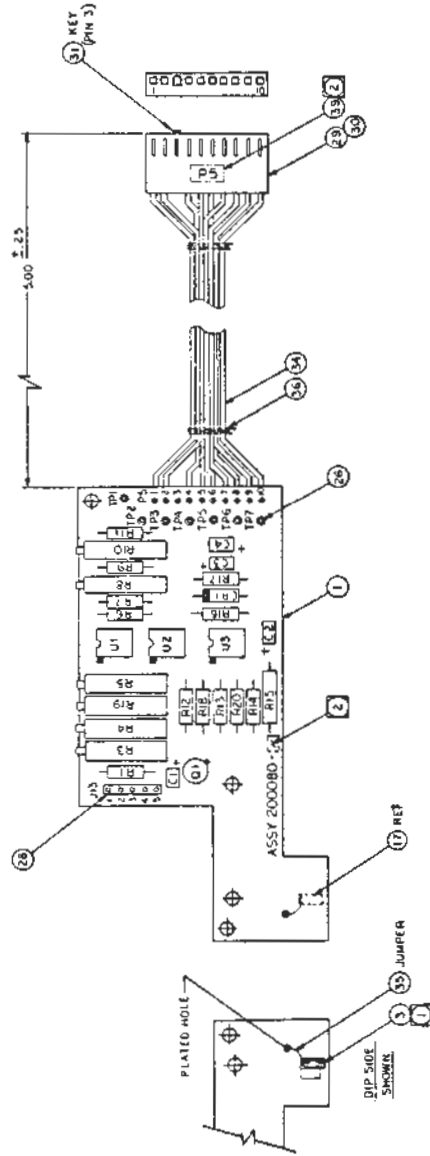


- ③ ALL SWITCHES SHOWN NORMALLY CLOSED.
- ② FERRITE BEAD PERSCI 100031.
- ① OPTIONAL WIRING WITHOUT RELAY.

NOTES:

	PERSCI, INC.
SCHEMATIC EJECT MOTOR ASSEMBLY	
270/272/277	SHT 1 OF 1
200243	
B	

REVISIONS		200096C
REV.	DESCRIPTION	DATE
A	ERCIN REL	7/77
B	ADDED PARTS	7/77
C	ECO P	7/77



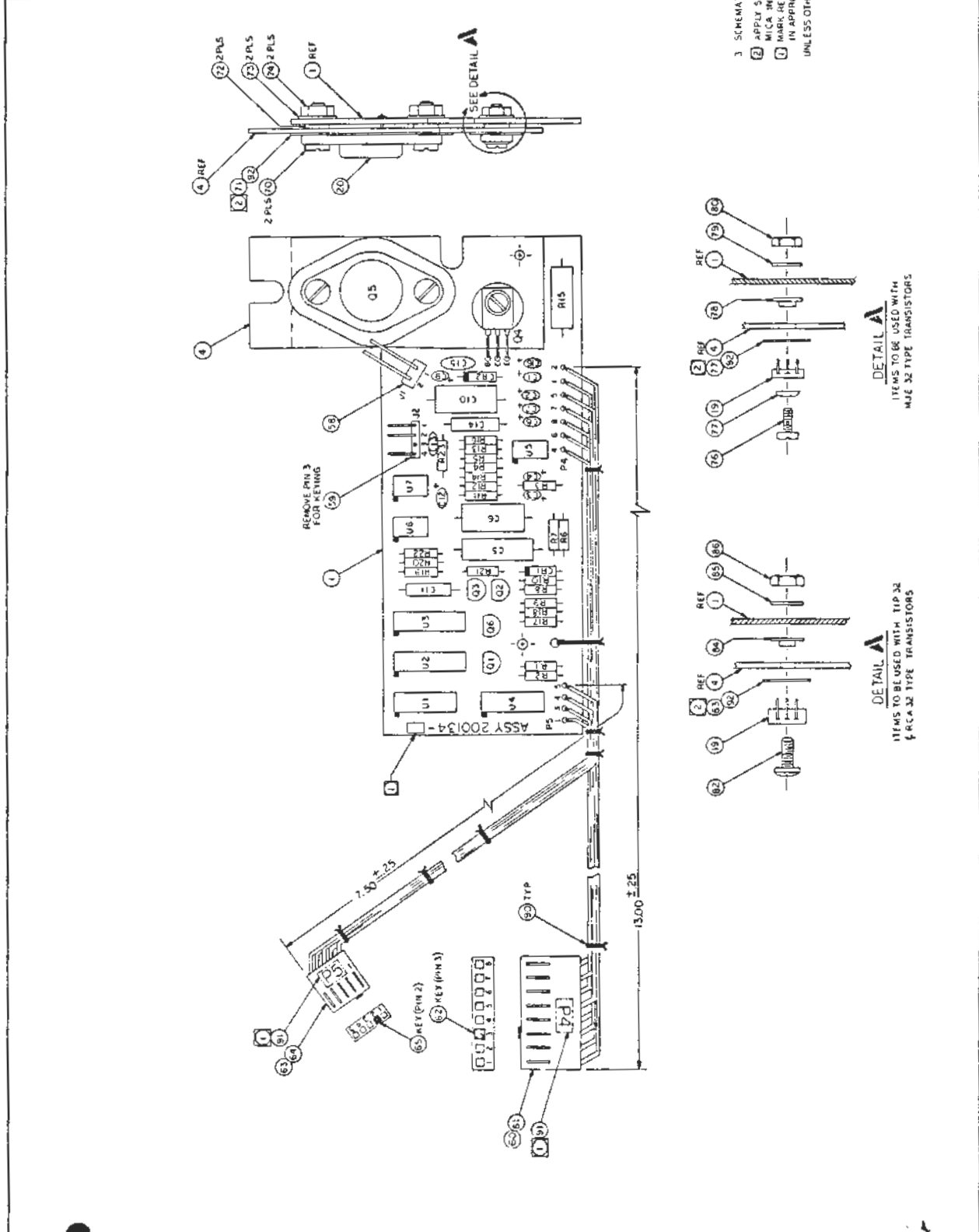
3. SCHEMATIC REF. 200096.
4. MARK BEE DESIGNATIONS OR REVISION LEVEL 12 HIGH BLACK/WHITE CHARACTERS IN APPROX AREA SHOWN.
5. INSTALL PHOTO CELL ON T.C. TAB LOCATED ON PROCESSED AS SHOWN, UNLESS OTHERWISE SPECIFIED.

PERSCI, INC.

ASSEMBLY PCB LAMP AMPLIFIER

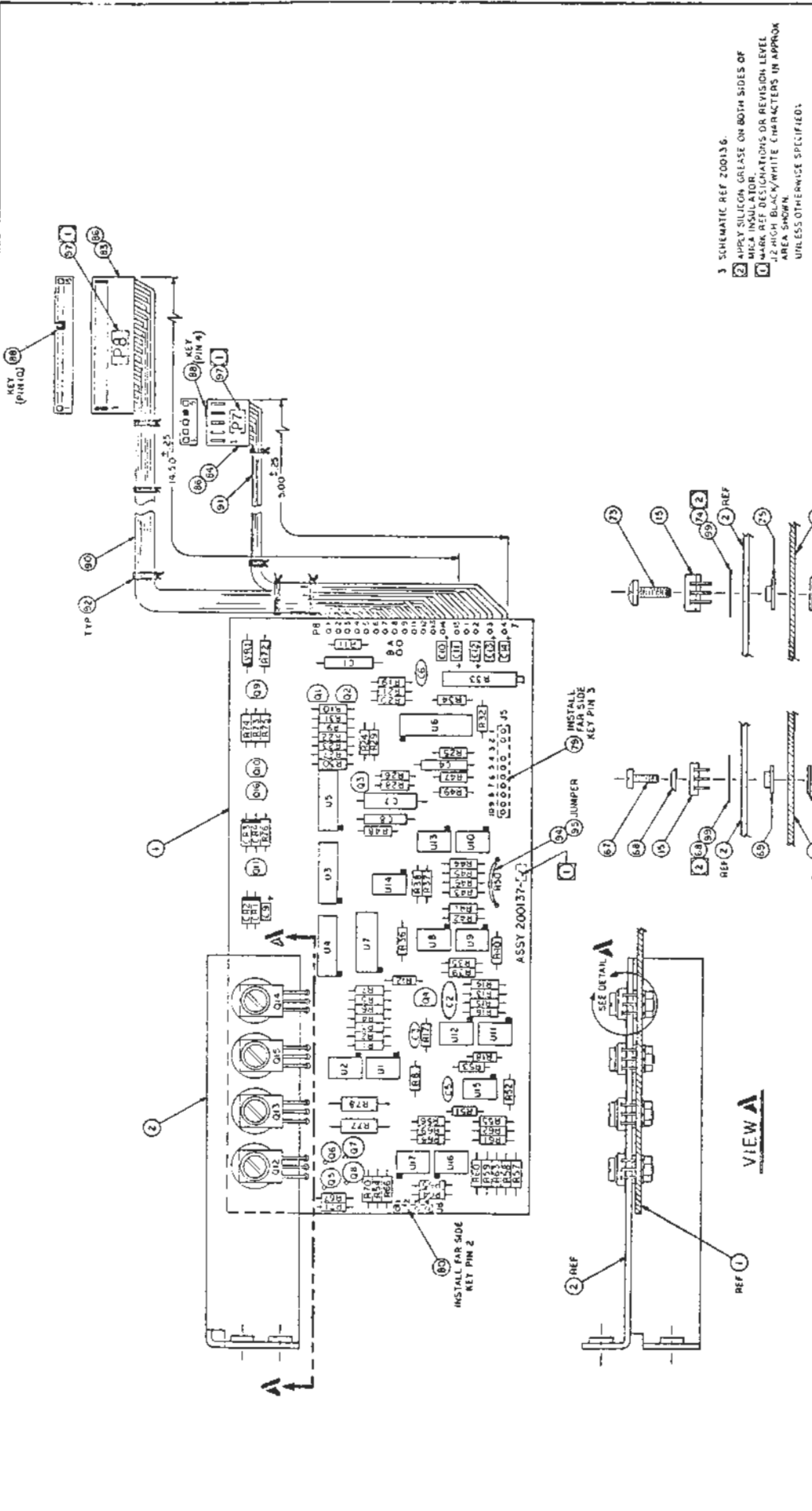
MODEL 270/272

REV	DESCRIPTION	DATE	BY
A	ENGINE REL	7/74	WJ
B	REVISED DRAWING FOR LAYOUT	11/74	WJ



PERSCI, INC.	
PERSCI	
ASSEMBLY PCB, SPINDLE SERVO	
MODEL 272	200134-B

REV	ENGINE REL	DESCRIPTIONS
200137 B		
A		ENGINE REL
B1		ADDED JUMPER POINT A4 B
		ONE OF THE SET PIN 3 OF TIP 32



PERSCI, INC.	
PERSCI	PERSCI
ASSEMBLY PCB POSITIONER SERVO	MODEL 272
SCALE 1:1	200137 B

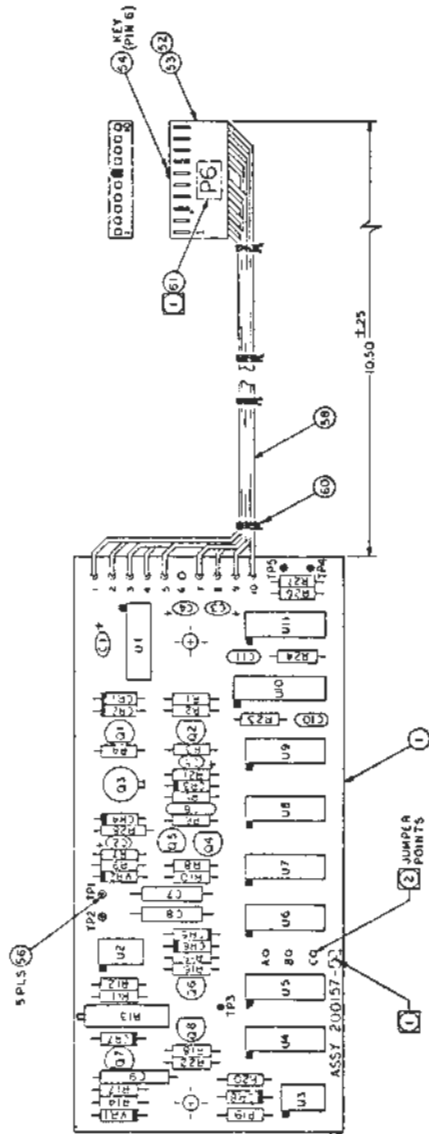
- 3 SCHEMATIC REF 200136.
- ② APPLY SILICON GREASE ON BOTH SIDES OF MICA INSULATOR.
 - ③ MARK REF DESIGNATORS OR REVISION LEVEL .12 HIGH BLACK/WHITE CHARACTERS IN APPROX AREA SHOWN UNLESS OTHERWISE SPECIFIED.

DETAIL A
ITEMS TO BE USED WITH TIP 32
ARCA 32 TYPE TRANSISTORS

DETAIL B
ITEMS TO BE USED WITH
MJE TYPE TRANSISTORS

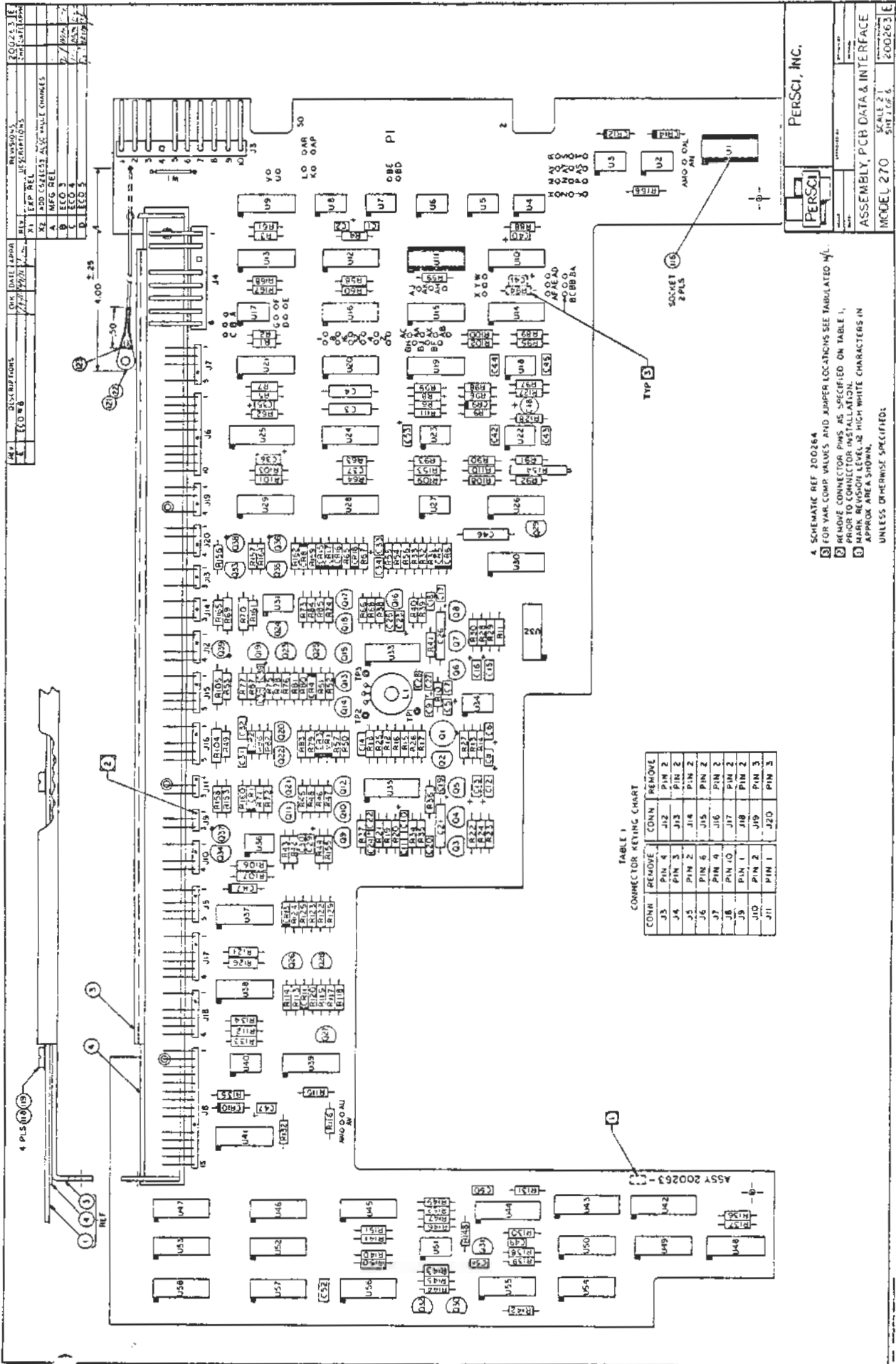
VIEW A

REVISIONS		200157 C
REF	DESCRIPTION	DATE
A	ENGINE REL	1/7/55
B	ADD WIPER ASSEMBLY K110	2/2/56
C	ADD WIPER ASSEMBLY K110	2/2/56



3 SCHEMATIC REF 200115.
 2 FOR JUMPER LOCATIONS SEE W/L DASH VERSIONS.
 1 MARK REF DESIGNATIONS OR REVISION LEVEL
 AS HIGH AS ACCURATE CHARACTERS IN APPROX
 AREA SHOWN
 UNLESS OTHERWISE SPECIFIED:

PERSCI		DATE	2/2/56
PERSCI, INC.		REV	3
MODEL 279272		REV	3
ASSY PCB, PHASED LOGIC DOUBLE F		REV	3
200157C		REV	3



REV.	DATE	APP'D	DESCRIPTIONS
1	10/20/66		REVISED TO ADD JUMPER
2	11/15/66		REVISED TO ADD JUMPER
3	12/15/66		REVISED TO ADD JUMPER
4	1/15/67		REVISED TO ADD JUMPER
5	2/15/67		REVISED TO ADD JUMPER
6	3/15/67		REVISED TO ADD JUMPER
7	4/15/67		REVISED TO ADD JUMPER
8	5/15/67		REVISED TO ADD JUMPER
9	6/15/67		REVISED TO ADD JUMPER
10	7/15/67		REVISED TO ADD JUMPER
11	8/15/67		REVISED TO ADD JUMPER
12	9/15/67		REVISED TO ADD JUMPER
13	10/15/67		REVISED TO ADD JUMPER
14	11/15/67		REVISED TO ADD JUMPER
15	12/15/67		REVISED TO ADD JUMPER
16	1/15/68		REVISED TO ADD JUMPER
17	2/15/68		REVISED TO ADD JUMPER
18	3/15/68		REVISED TO ADD JUMPER
19	4/15/68		REVISED TO ADD JUMPER
20	5/15/68		REVISED TO ADD JUMPER
21	6/15/68		REVISED TO ADD JUMPER
22	7/15/68		REVISED TO ADD JUMPER
23	8/15/68		REVISED TO ADD JUMPER
24	9/15/68		REVISED TO ADD JUMPER
25	10/15/68		REVISED TO ADD JUMPER
26	11/15/68		REVISED TO ADD JUMPER
27	12/15/68		REVISED TO ADD JUMPER
28	1/15/69		REVISED TO ADD JUMPER
29	2/15/69		REVISED TO ADD JUMPER
30	3/15/69		REVISED TO ADD JUMPER
31	4/15/69		REVISED TO ADD JUMPER
32	5/15/69		REVISED TO ADD JUMPER
33	6/15/69		REVISED TO ADD JUMPER
34	7/15/69		REVISED TO ADD JUMPER
35	8/15/69		REVISED TO ADD JUMPER
36	9/15/69		REVISED TO ADD JUMPER
37	10/15/69		REVISED TO ADD JUMPER
38	11/15/69		REVISED TO ADD JUMPER
39	12/15/69		REVISED TO ADD JUMPER
40	1/15/70		REVISED TO ADD JUMPER
41	2/15/70		REVISED TO ADD JUMPER
42	3/15/70		REVISED TO ADD JUMPER
43	4/15/70		REVISED TO ADD JUMPER
44	5/15/70		REVISED TO ADD JUMPER
45	6/15/70		REVISED TO ADD JUMPER
46	7/15/70		REVISED TO ADD JUMPER
47	8/15/70		REVISED TO ADD JUMPER
48	9/15/70		REVISED TO ADD JUMPER
49	10/15/70		REVISED TO ADD JUMPER
50	11/15/70		REVISED TO ADD JUMPER
51	12/15/70		REVISED TO ADD JUMPER
52	1/15/71		REVISED TO ADD JUMPER
53	2/15/71		REVISED TO ADD JUMPER
54	3/15/71		REVISED TO ADD JUMPER
55	4/15/71		REVISED TO ADD JUMPER
56	5/15/71		REVISED TO ADD JUMPER
57	6/15/71		REVISED TO ADD JUMPER
58	7/15/71		REVISED TO ADD JUMPER
59	8/15/71		REVISED TO ADD JUMPER
60	9/15/71		REVISED TO ADD JUMPER
61	10/15/71		REVISED TO ADD JUMPER
62	11/15/71		REVISED TO ADD JUMPER
63	12/15/71		REVISED TO ADD JUMPER
64	1/15/72		REVISED TO ADD JUMPER
65	2/15/72		REVISED TO ADD JUMPER
66	3/15/72		REVISED TO ADD JUMPER
67	4/15/72		REVISED TO ADD JUMPER
68	5/15/72		REVISED TO ADD JUMPER
69	6/15/72		REVISED TO ADD JUMPER
70	7/15/72		REVISED TO ADD JUMPER
71	8/15/72		REVISED TO ADD JUMPER
72	9/15/72		REVISED TO ADD JUMPER
73	10/15/72		REVISED TO ADD JUMPER
74	11/15/72		REVISED TO ADD JUMPER
75	12/15/72		REVISED TO ADD JUMPER
76	1/15/73		REVISED TO ADD JUMPER
77	2/15/73		REVISED TO ADD JUMPER
78	3/15/73		REVISED TO ADD JUMPER
79	4/15/73		REVISED TO ADD JUMPER
80	5/15/73		REVISED TO ADD JUMPER
81	6/15/73		REVISED TO ADD JUMPER
82	7/15/73		REVISED TO ADD JUMPER
83	8/15/73		REVISED TO ADD JUMPER
84	9/15/73		REVISED TO ADD JUMPER
85	10/15/73		REVISED TO ADD JUMPER
86	11/15/73		REVISED TO ADD JUMPER
87	12/15/73		REVISED TO ADD JUMPER
88	1/15/74		REVISED TO ADD JUMPER
89	2/15/74		REVISED TO ADD JUMPER
90	3/15/74		REVISED TO ADD JUMPER
91	4/15/74		REVISED TO ADD JUMPER
92	5/15/74		REVISED TO ADD JUMPER
93	6/15/74		REVISED TO ADD JUMPER
94	7/15/74		REVISED TO ADD JUMPER
95	8/15/74		REVISED TO ADD JUMPER
96	9/15/74		REVISED TO ADD JUMPER
97	10/15/74		REVISED TO ADD JUMPER
98	11/15/74		REVISED TO ADD JUMPER
99	12/15/74		REVISED TO ADD JUMPER
100	1/15/75		REVISED TO ADD JUMPER

REV.	DATE	APP'D	DESCRIPTIONS
X1	EXP REL		EXP REL
X2	ADD C51C32		ADD C51C32
A	MEG REL		MEG REL
B	EXP REL		EXP REL
C	EXP REL		EXP REL
D	EXP REL		EXP REL
E	EXP REL		EXP REL
F	EXP REL		EXP REL
G	EXP REL		EXP REL
H	EXP REL		EXP REL
I	EXP REL		EXP REL
J	EXP REL		EXP REL
K	EXP REL		EXP REL
L	EXP REL		EXP REL
M	EXP REL		EXP REL
N	EXP REL		EXP REL
O	EXP REL		EXP REL
P	EXP REL		EXP REL
Q	EXP REL		EXP REL
R	EXP REL		EXP REL
S	EXP REL		EXP REL
T	EXP REL		EXP REL
U	EXP REL		EXP REL
V	EXP REL		EXP REL
W	EXP REL		EXP REL
X	EXP REL		EXP REL
Y	EXP REL		EXP REL
Z	EXP REL		EXP REL

TABLE 1
CONNECTOR KEYING CHART

CONN	REMOVE	CONN	REMOVE
J3	PIN 4	J12	PIN 2
J4	PIN 3	J13	PIN 2
J5	PIN 2	J14	PIN 2
J6	PIN 6	J15	PIN 2
J7	PIN 4	J16	PIN 2
J8	PIN 10	J17	PIN 2
J9	PIN 1	J18	PIN 2
J10	PIN 2	J19	PIN 3
J11	PIN 1	J20	PIN 3

PERSCI, INC.
PERSCI
MODEL 270
SCALE 2:1
SHEET 6
200263 E

1 SCHEMATIC REF 200264
2 FOR YAK COMP VALUES AND JUMPER LOCATIONS SEE TABULATED W/L
3 REMOVE CONNECTOR PINS AS SPECIFIED ON TABLE 1
PRIOR TO CONNECTOR INSTALLATION
4 APPROXIMATE LOCATION OF HIGH WHITE CHARACTERS IN APPROX AREA SHOWN
UNLESS OTHERWISE SPECIFIED:

MATERIAL LIST

REV E
DWG NO. 200263-000

TITLE		DWG NO.		REV	SHEET
ASSEMBLY, PCB DATA AND INTERFACE		200263-000		E	2 OF 6
MODEL 270 BASIC BOARD		PERSCI, INC.			
ITEM NO.	DRAWING TITLE	DWG NO.	QTY	REMARKS	
1	BOARD, PROCESSED	200262	1	REV B	
2					
3	BRACKET, DATA BD	200171	1	REV B	
4	INSULATOR, DATA BD	200174	1	REV A	
5					
6					
7					
8					
9					
10					
11	IC LM311N	150600	4	U18, 22, 23, 34	
12	IC MC1406L	150601	1	U55	
13	IC MC1458C-P1	150602	2	U40, 51	
14	IC 7400	150603	4	U15, 28, 53, 57	
15	IC 7404	150604	5	U20, 32, 38, 41, 49	
16	IC 7408	150605	4	U26, 29, 45, 50	
17	IC 7432	150608	5	U14, 19, 54, 56, 58	
18	IC 7474	150609	6	U24, 30, 39, 46, 47, 52	
19	IC 7486	150611	1	U21	
20	IC 74123	150612	4	U10, 12, 25, 44	
21	IC 74193	150614	2	U42, 43	
22	IC 75451	150616	1	U17	
23	IC 75452	150617	2	U31, 36	
24	IC 75453	150618	8	U2,3,4,5,6,7,8,27	
25	IC 72733	150619	2	U33, 35	
26	IC 7416	150621	2	U13, 48	
27	IC 7406	150622	1	U37	
28					
29					
30	RESISTOR NETWORK 4.7K	150050	1	U9	
31	RESISTOR NETWORK 220/330	150051	1	U1	
32					
33					

MATERIAL LIST

TITLE ASSEMBLY, PCB DATA AND INTERFACE	DWG NO. 200263-000	REV E	SHEET 3 OF 6
--	------------------------------	-----------------	---------------------

MODEL 270 BASIC BOARD	PERSCI, INC.
-----------------------	---------------------

200263-07

ITEM NO.	DRAWING TITLE	DWG NO.	QTY	REMARKS
34	TRANSISTOR 2N4400	150200	5	Q2,26,27,28,31
35	TRANSISTOR 2N4402	150201	25	Q3,4,5,6,7,8,9,10, 13,16,17,18,19,20, 21,22,23,24,25, 29,30,32,33,34,35
36	TRANSISTOR 2N5460	150202	4	Q11,12,14,15
37	TRANSISTOR 2N2913	150203	1	Q1
38	TRANSISTOR 2N706A	150207	4	Q36,37,38,39
39				
40				
41				
42	DIODE 1N3064	150300	18	CR1,2,3,4,5,6,7,8, 9,10,11,12,13,14, 15,16,17,18
43	DIODE 1N752A	150302	1	VR1
44				
45				
46	INDUCTOR 200UH	150094	1	L1
47				
48				
49	CAPACITOR, MICA 100pf	150102-101	3	C1,50,51
50	CAPACITOR, MICA 510pf	150102-511	5	C14,42,44,46,49
51	CAPACITOR, MYLAR .001UF	150101-102	4	C3,4,21,26
52	CAPACITOR, CERAMIC .01UF	150103-103	16	C7,11,18,20,24,25, 28,30,31,32,34,37, 38,43,45,52
53	CAPACITOR, TANTL 10% 0.1UF	150100-104	2	C35,40
54	CAPACITOR, TANTL 10% 1UF	150100-105	20	C2,5,6,8,9,10,12, 13,15,16,17,19, 22, 23,27,29,33,39,47, 53

REV E
 DWG NO. 200263-000

MATERIAL LIST

TITLE		DWG NO.		REV	SHEET
ASSEMBLY, PCB DATA AND INTERFACE		200263-000		E	4 OF 6
MODEL 270 BASIC BOARD		PERSCI, INC.			
ITEM NO.	DRAWING TITLE	DWG NO.	QTY	REMARKS	
55	CAPACITOR, TANTL 22UF	150100-226	1	C48	
56					
57					
58					
59	RESISTOR, VARIABLE 2K	150003-202	1	R154	
60					
61	RESISTOR 1/2 W., 5% 10	150002-100	2	R121,126	
62	RESISTOR 1/2 W., 5% 47	150002-470	2	R69,70	
63	RESISTOR 1/2 W., 5% 68	150002-680	4	R104,105,106,107	
64					
65	RESISTOR, 1/2 W., 1% 1.50K	150001-1501	1	R81	
66	RESISTOR 1/2 W., 1% 332	150001-3320	2	R13,14	
67	RESISTOR 1/2 W., 1% 1.78K	150001-1781	1	R138	
68	RESISTOR 1/2 W., 1% 3.01K	150001-3011	1	R78	
69	RESISTOR 1/2 W., 1% 10K	150001-1002	5	R108,109,147,148,149	
70	RESISTOR 1/2 W., 1% 24.9K	150001-2492	1	R152	
71	RESISTOR 1/2 W., 1% 30.1K	150001-3012	1	R146	
72	RESISTOR 1/2 W., 1% 4.64K	150001-4641	2	R86,87	
73					
74	RESISTOR 1/2 W., 5% 10	150000-100	14	R3,10,11,12,18,19, 33,34,37,38,41, 42,56,77	
75	RESISTOR 1/2 W., 5% 47	150000-470	2	R26,27	
76	RESISTOR 1/2 W., 5% 100	150000-101	13	R23,29,35,36,39, 40,82,83,84,85, 101,103,128	
77	RESISTOR 1/2 W., 5% 200	150000-201	1	R111	
78	RESISTOR 1/2 W., 5% 220	150000-221	7	R5,7,49,53,58, 120,125	
79	RESISTOR 1/2 W., 5% 330	150000-331	13	R6,8,9,15,16,17, 59,65,66,67,68, 119,124	

MATERIAL LIST

TITLE		DWG NO.		REV	SHEET
ASSEMBLY, PCB DATA AND INTERFACE		200263-000		E	5 OF 6
MODEL 270 BASIC BOARD		PERSCI, INC.			
ITEM NO.	DRAWING TITLE	DWG NO.	QTY	REMARKS	
80	RESISTOR 1/2 W., 5% 430	150000-431	3	R25,91,97	
81	RESISTOR 1/2 W., 5% 1K	150000-102	21	R1,2,48,52,64,71, 72,73,74,92,98,112, 114,117,118,122, 123, 132, 134,166, 158	
82	RESISTOR 1/2 W., 5% 2K	150000-202	10	R22,24,28,30, 110,115,116,133, 137,139	
83					
84	RESISTOR 1/2 W., 5% 3.9K	150000-392	4	R4,45,57,135	
85	RESISTOR 1/2 W., 5% 4.7K	150000-472	10	R60,61, 130,136,155,159, 160,161,167,168	
86	RESISTOR 1/2 W., 5% 5.1K	150000-512	1	R153	
87	RESISTOR 1/2 W., 5% 6.8K	150000-682	5	R46,47,50,51,62	
88	RESISTOR 1/2 W., 5% 10K	150000-103	19	R20,21,31,32,43,44, 54,55,79, 89,95,131,151,156,157, 162,163,164,165	
89	RESISTOR 1/2 W., 5% 15K	150000-153	2	R100,102	
90	RESISTOR 1/2 W., 5% 18K	150000-183	1	R63	
91	RESISTOR 1/2 W., 5% 20K	150000-203	2	R141,144	
92	RESISTOR 1/2 W., 5% 22K	150000-223	3	R75,76,80	
93	RESISTOR 1/2 W., 5% 30K	150000-303	3	R93,99,140	
94	RESISTOR 1/2 W., 5% 36K	150000-363	1	R88	
95	RESISTOR 1/2 W., 5% 39K	150000-393	2	R143,145	
96	RESISTOR 1/2 W., 5% 47K	150000-473	3	R90,96,150	
97					
98	RESISTOR 1/2 W., 5% 100K	150000-104	2	R113,129	
99	RESISTOR 1/2 W., 5% 240K	150000-244	1	R142	
100	RESISTOR 1/2 W., 5% 1MEG	150000-105	1	R127	

200263-)

MATERIAL LIST

REV Z

DWG NO. 200263-000

TITLE ASSEMBLY, PCB DATA AND INTERFACE	DWG NO. 200263-000	REV E	SHEET <u>6</u> OF <u>6</u>
---	-----------------------	----------	----------------------------

MODEL 270 BASIC BOARD	PERSCI, INC.
-----------------------	--------------

ITEM NO.	DRAWING TITLE	DWG NO.	QTY	REMARKS
101				
102				
103				
104				
105				
106				
107	CONNECTOR, ANGLE 3 PIN	100040-003	4	J9,11,13,14
108	CONNECTOR, ANGLE 4 PIN	100040-004	4	J10,12,19,20
109	CONNECTOR, ANGLE 5 PIN	100040-005	4	J5,15,16,7
110	CONNECTOR, ANGLE 6 PIN	100040-006	2	J17,18
111	CONNECTOR, ANGLE 10 PIN	100040-010	1	J6
112	CONNECTOR, ANGLE 15 PIN	100040-015	1	J8
113	CONNECTOR, ANGLE 8 PIN	100042-008	1	J4
114	CONNECTOR, ANGLE 10 PIN	100042-010	1	J3
115	PIN, MALE	100046	3	TP1,2,3
116	SOCKET, IC	150097	2	USE WITH U1 & U11
117				
118	SCREW	100002-203	4	
119	WASHER, FIBER		4	
120				
121	LUG, SOLDER		1	
122	WIRE, INSULATED		A/R	
123	TUBING, SHRINK		A/R	
124	GLUE		A/R	USE WITH L1
125				
126				
127				
128				
	SCHEMATIC	20026.4	REF	REV C
	ARTWORK	20026.1	REF	

MATERIAL LIST

TITLE ASSEMBLY, PCB DATA AND INTERFACE	DWG NO. 200263-001	REV A	SHEET 1 OF 1
---	-----------------------	----------	--------------

MODEL 270 SINGLE DENSITY	PERSCI, INC.		
--------------------------	--------------	--	--

ITEM NO.	DRAWING TITLE	DWG NO.	QTY	REMARKS
	USE BASIC BD 200263-000			
	LATEST REVISION AND			
	ADD THE FOLLOWING:			
1				
2				
3	CAPACITOR, TANTL., 10% 0.1UF	150100-104	1	C36
4	CAPACITOR, TANTL., 10% 0.1UF	150100-104	1	C41
5				
6	RESISTOR 1/2 W., 5% 36K	150000-363	1	R94
7				
8	WIRE, INSULATED AWG 24		A/R	JUMPER FROM A TO B
				JUMPER FROM D TO E
				JUMPER FROM F TO G
	TARELL is -001			JUMPER FROM H TO J
				JUMPER FROM N TO P
				JUMPER FROM R TO S
				JUMPER FROM W TO X
				JUMPER FROM AB TO AX
				JUMPER FROM AD TO AE
				JUMPER FROM AH TO AJ
				JUMPER FROM AL TO AM
				JUMPER FROM AY TO AT
				JUMPER FROM AV TO AW
				JUMPER FROM BA TO BC
				JUMPER FROM BD TO BE
				CHASSIS GND W1
	NOTE: JUMPER POINTS NOT LISTED			
	ARE OPEN (NOT USED)			

A
200263-00

REV B
 DWG NO. 200263-001

MATERIAL LIST

TITLE ASSEMBLY, PCB DATA AND INTERFACE	DWG NO. 200263-001	REV B	SHEET 1 OF 1
MODEL 270/272 SINGLE DENSITY	PERSCI, INC.		

ITEM NO.	DRAWING TITLE	DWG NO.	QTY	REMARKS
	USE BASIC BD 200263-000			
	LATEST REVISION AND			
	ADD THE FOLLOWING:			
1				
2				
3	CAPACITOR, TANTL., 10% 0.1UF	150100-104	1	C36
4	CAPACITOR, TANTL., 10% 0.1UF	150100-104	2	C40,41
5				
6	RESISTOR 1/4 W., 5% 36K	150000-363	2	R88,94
7				
8	WIRE, INSULATED AWG 24		A/R	JUMPER FROM A TO B
				JUMPER FROM D TO E
				JUMPER FROM F TO G
				JUMPER FROM H TO J
				JUMPER FROM M TO P
				JUMPER FROM R TO S
				JUMPER FROM W TO X
				JUMPER FROM AB TO AC
				JUMPER FROM AD TO AE
				JUMPER FROM AH TO AJ
				JUMPER FROM AL TO AM
				JUMPER FROM AY TO AT
				JUMPER FROM AV TO AW
				JUMPER FROM BA TO BB
				JUMPER FROM BD TO BE
				JUMPER FROM BK TO BM
				CHASSIS GND W1
	NOTE: JUMPER POINTS NOT LISTED			
	ARE OPEN (NOT USED)			

MATERIAL LIST

REV A
DWG NO. 200263-06.

TITLE		DWG NO.		REV	SHEET
ASSEMBLY, PCB DATA AND INTERFACE		200263-002		A	1 OF 1
MODEL 270 DOUBLE DENSITY		PERSCI, INC.			
ITEM NO.	DRAWING TITLE	DWG NO.	QTY	REMARKS	
	USE BASIC BD 200263-000				
	LATEST REVISION AND				
	ADD THE FOLLOWING:				
1	IC 74193	150614	1	U16	
2					
3	CAPACITOR, TANTL., 10% 0.1UF	150100-104	1	C36	
4	CAPACITOR, TANTL., 10% 1UF	150100-105	1	C41	
5					
6	RESISTOR, 1/2 W., 5% 11K	150000-113	1	R94	
7					
8	WIRE, INSULATED AWG 24		A/R	JUMPER FROM A TO B	
				JUMPER FROM D TO E	
				JUMPER FROM F TO G	
				JUMPER FROM H TO J	
				JUMPER FROM M TO P	
				JUMPER FROM R TO S	
				JUMPER FROM W TO Y	
				JUMPER FROM AA TO AB	
				JUMPER FROM AD TO AF	
				JUMPER FROM AH TO AK	
				JUMPER FROM AL TO AM	
				JUMPER FROM AT TO AY	
				JUMPER FROM AV TO AW	
				JUMPER FROM BA TO BB	
				JUMPER FROM BD TO BE	
				JUMPER FROM BH TO BJ	
				CHASSIS GND W1	
				SECTOR JUMPER #16	
	NOTE: JUMPER POINTS NOT LISTED ARE OPEN (NOT USED)				

MATERIAL LIST

REV B

DWG NO. 200263-002

TITLE ASSEMBLY, PCB DATA AND INTERFACE	DWG NO. 200263-002	REV B	SHEET <u>1</u> OF <u>1</u>
--	------------------------------	-----------------	--

MODEL 270 DOUBLE DENSITY	PERSCI, INC.
--------------------------	---------------------

ITEM NO.	DRAWING TITLE	DWG NO.	QTY	REMARKS
	USE BASIC BD 200263-000			
	LATEST REVISION AND			
	ADD THE FOLLOWING:			
1	IC 74193	150614	2	U16,27
2				
3	CAPACITOR, TANTL., 10% 0.1UF	150100-104	1	C36
4	CAPACITOR, TANTL., 10% 1UF	150100-105	2	C40,41
5				
6	RESISTOR, 1/2 W., 5% 11K	150000-113	2	R88,94
7				
8	WIRE, INSULATED AWG 24		A/R	JUMPER FROM A TO B
				JUMPER FROM D TO E
				JUMPER FROM F TO G
				JUMPER FROM H TO J
				JUMPER FROM M TO P
				JUMPER FROM R TO S
				JUMPER FROM W TO Y
				JUMPER FROM AA TO AB
				JUMPER FROM AD TO AF
				JUMPER FROM AH TO AK
				JUMPER FROM AL TO AM
				JUMPER FROM AT TO AY
				JUMPER FROM AV TO AW
				JUMPER FROM BA TO BB
				JUMPER FROM BD TO BE
				JUMPER FROM BH TO BJ
				JUMPER FROM BK TO BM
				SECTOR "0" JUMPER 16
				SECTOR "1" JUMPER 16
				CHASSIS GND W1

NOTE: JUMPER POINTS NOT LISTED
ARE OPEN (NOT USED)

MATERIAL LIST

TITLE ASSEMBLY, PCB DATA AND INTERFACE	DWG NO. 200263-003	REV B	SHEET <u>1</u> OF <u>1</u>
---	-----------------------	----------	----------------------------

MODEL 270 ROTARY SELECT	PERSCI, INC.		
-------------------------	---------------------	--	--

ITEM NO.	DRAWING TITLE	DWG NO.	QTY	REMARKS
	USE BASIC BD 200263-000			
	LATEST REVISION AND			
	ADD THE FOLLOWING:			
1				
2				
3				
4	CAPACITOR, TANTL., 10% 0.1UF	150100-104	1	C41
5				
6	RESISTOR, $\frac{1}{2}$ W., 5% 36K	150000-363	1	R94
7	MODULE, SELECT	200288-005	1	U11
8	WIRE, INSULATED, AWG 24		A/R	JUMPER FROM A TO B
				JUMPER FROM J TO Z
				JUMPER FROM K TO L
				JUMPER FROM N TO P
				JUMPER FROM S TO T
				JUMPER FROM U TO V
				JUMPER FROM W TO X
				JUMPER FROM AB TO AX
				JUMPER FROM AD TO AE
				JUMPER FROM AH TO AJ
				JUMPER FROM AN TO AN
				JUMPER FROM AP TO AR
				JUMPER FROM AS TO AT
				JUMPER FROM AV TO AW
				JUMPER FROM BA TO BC
				JUMPER FROM BD TO BE
				CHASSIS GND W1
	NOTE: JUMPER POINTS NOT LISTED			
	ARE OPEN (NOT USED)			

DWG NO. 200263- B

REV E
 DWG NO. 200263-003

MATERIAL LIST

TITLE ASSEMBLY, PCB DATA AND INTERFACE	DWG NO. 200263-003	REV E	SHEET 1 OF 1
---	-----------------------	----------	--------------

MODEL 277 ROTARY SELECT	PERSCI, INC.
-------------------------	---------------------

ITEM NO.	DRAWING TITLE	DWG NO.	QTY	REMARKS
	USE BASIC BD 200263-000			
	LATEST REVISION AND			
	ADD THE FOLLOWING:			
1				
2				
3				
4	CAPACITOR, TANTL., 10% 0.1UF	150100-104	3	C40,41,36
5				
6	RESISTOR, 1/4 W., 5% 36K	150000-363	2	R38,94
7	MODULE, SELECT	200288-005	1	U11
8	WIRE, INSULATED, AWG 24		A/R	JUMPER FROM A TO B
				JUMPER FROM J TO Z
				JUMPER FROM K TO L
				JUMPER FROM N TO P
				JUMPER FROM S TO T
				JUMPER FROM U TO V
				JUMPER FROM W TO X
				JUMPER FROM AB TO AC
				JUMPER FROM AD TO AE
				JUMPER FROM AH TO AJ
				JUMPER FROM AM TO AN
				JUMPER FROM AP TO AR
				JUMPER FROM AS TO AT
				JUMPER FROM AV TO AW
				JUMPER FROM BA TO BB
				JUMPER FROM BD TO BE
				JUMPER FROM BK TO BM
				CHASSIS GND W1
	NOTE: JUMPER POINTS NOT LISTED			
	ARE OPEN (NOT USED)			

MATERIAL LIST

REV B
DWG NO. 200263-004

TITLE ASSEMBLY, PCB DATA AND INTERFACE	DWG NO. 200263-004	REV B	SHEET 1 OF 1
MODEL 270 ROTARY SELECT, PULSE DIRECTION		PERSCI, INC.	

ITEM NO.	DRAWING TITLE	DWG NO.	QTY	REMARKS
	USE BASIC BD 200263-000			
	LATEST REVISION AND			
	ADD THE FOLLOWING:			
1				
2				
3				
4	CAPACITOR, TANTL., 10% 0.1UF	150100-104	1	C41
5				
6	RESISTOR, 1/2 W., 5% 36K	150000-363	1	R94
7	MODULE, SELECT	200288-005	1	U11
8	WIRE, INSULATED, AWG 24		A/R	JUMPER FROM A TO B JUMPER FROM J TO Z JUMPER FROM K TO L JUMPER FROM N TO P JUMPER FROM S TO T JUMPER FROM U TO V JUMPER FROM W TO X JUMPER FROM AB TO AX JUMPER FROM AD TO AE JUMPER FROM AH TO AJ JUMPER FROM AM TO AN JUMPER FROM AP TO AR JUMPER FROM AS TO AT JUMPER FROM AW TO AU JUMPER FROM BA TO BC JUMPER FROM BD TO BE CHASSIS GND W1
	NOTE: JUMPER POINTS NOT LISTED ARE OPEN (NOT USED)			

MATERIAL LIST

REV NO. A
DWG NO. 200263-0

TITLE		DWG NO.		REV	SHEET
ASSEMBLY, PCB DATA AND INTERFACE		200263-005		A	1 OF 1
MODEL 270		PERSCI, INC.			
ITEM NO.	DRAWING TITLE	DWG NO.	QTY	REMARKS	
	USE BASIC BD 200263-000				
	LATEST REVISION AND				
	ADD THE FOLLOWING:				
1	IC 74193	150614	1	U16	
2					
3	CAPACITOR, TANTL., 10% 0.1UF	150100-104	1	C36	
4	CAPACITOR, TANTL., 10% 1UF	150100-105	1	C41	
5					
6	RESISTOR, 1/4W., 5% 11K	150000-113	1	R94	
7					
8	WIRE, INSULATED, AWG 24		A/R	JUMPER FROM A TO B	
				JUMPER FROM D TO E	
				JUMPER FROM F TO G	
				JUMPER FROM H TO J	
				JUMPER FROM M TO P	
				JUMPER FROM R TO S	
				JUMPER FROM W TO Y	
				JUMPER FROM AA TO AB	
				JUMPER FROM AD TO AF	
				JUMPER FROM AH TO AK	
				JUMPER FROM AL TO AM	
				JUMPER FROM AT TO AY	
				JUMPER FROM AV TO AW	
				JUMPER FROM BA TO BB	
				JUMPER FROM BD TO BE	
				JUMPER FROM BH TO BF	
				CHASSIS GND W1	
				SECTOR JUMPER #16	
	NOTE: JUMPER POINTS NOT LISTED				
	ARE OPEN (NOT USED)				

MATERIAL LIST

REV
B
DWG NO.
200263-005

TITLE ASSEMBLY, PCB DATA AND INTERFACE	DWG NO. 200263-005	REV B	SHEET 1 OF 1
--	------------------------------	-----------------	---------------------

MODEL 270, 16 SECTORS

PERSCI, INC.

ITEM NO.	DRAWING TITLE	DWG NO.	QTY	REMARKS
	USE BASIC BD 200263-000			
	LATEST REVISION AND			
	ADD THE FOLLOWING:			
1	IC 74193	150614	2	U16,27
2				
3	CAPACITOR, TANTL., 10% 0.1UF	150100-104	1	C36
4	CAPACITOR, TANTL., 10% 1UF	150100-105	2	C40,41
5				
6	RESISTOR, 1/4W., 5% 11K	150000-113	2	R88,94
7				
8	WIRE, INSULATED, AWG 24		A/R	JUMPER FROM A TO B
				JUMPER FROM D TO E
				JUMPER FROM F TO G
				JUMPER FROM H TO J
				JUMPER FROM M TO P
				JUMPER FROM R TO S
				JUMPER FROM W TO Y
				JUMPER FROM AA TO AB
				JUMPER FROM AD TO AF
				JUMPER FROM AH TO AK
				JUMPER FROM AL TO AM
				JUMPER FROM AT TO AY
				JUMPER FROM AV TO AW
				JUMPER FROM BA TO BB
				JUMPER FROM BD TO BE
				JUMPER FROM BH TO BF
				JUMPER FROM BK TO BM
				SECTOR "0" JUMPER 16
				SECTOR "1" JUMPER 16
	NOTE: JUMPER POINTS NOT LISTED			CHASSIS GND WI
	ARE OPEN (NOT USED)			

MATERIAL LIST

REV A
DWG NO. 200263-006

TITLE ASSEMBLY, PCB DATA AND INTERFACE	DWG NO. 200263-006	REV A	SHEET 1 OF 1
---	-----------------------	----------	--------------

MODEL 270 ROTARY SELECT, PULSE DIRECTION, SOFT MEM	PERSCI, INC.
--	---------------------

ITEM NO.	DRAWING TITLE	DWG NO.	QTY	REMARKS
	USE BASIC BD 200263-000			
	LATEST REVISION AND			
	ADD THE FOLLOWING:			
1				
2				
3				
4	CAPACITOR, TANTL., 10% 0.1UF	150100-104	1	C41
5				
6	RESISTOR, 1/4 W., 5% 36K	150000-363	1	R94
7				
8	WIRE, INSULATED, AWG 24		A/R	JUMPER FROM A TO B
				JUMPER FROM J TO Z
				JUMPER FROM K TO L
				JUMPER FROM N TO P
				JUMPER FROM S TO T
				JUMPER FROM U TO V
				JUMPER FROM W TO X
				JUMPER FROM AB TO AX
				JUMPER FROM AD TO AE
				JUMPER FROM AH TO AJ
				JUMPER FROM AM TO AN
				JUMPER FROM AP TO AR
				JUMPER FROM AW TO AU
				JUMPER FROM BA TO BC
				JUMPER FROM BD TO BE
				JUMPER FROM BH TO BF
				CHASSIS GND W1
	NOTE: JUMPER POINTS NOT LISTED			
	ARE OPEN (NOT USED)			

MATERIAL LIST

REV B
200263-1
DWG NO. 200263-1

TITLE		DWG NO.		REV	SHEET
ASSEMBLY, PCB DATA AND INTERFACE		200263-007		B	1 OF 1
MODEL 270 HARD SECTOR 32 SECTORS		PERSCI, INC.			
ITEM NO.	DRAWING TITLE	DWG NO.	QTY	REMARKS	
	USE BASIC BD 200263-000				
	LATEST REVISION AND ADD				
	THE FOLLOWING:				
1	ASSY, SELECT MODULE	200263-003	1	U11	
2					
3	CAPACITOR, TANTL., 10% 0.1UF	150100-104	1	C36	
4	CAPACITOR, TANTL., 10% 1UF	150100-105	1	C41	
5					
6	RESISTOR, 1/4 W., 5% 11K	150000-113	1	R94	
7					
8	WIRE, INSULATED, AWG 24		A/R	JUMPER FROM A TO B	
			A/R	JUMPER FROM D TO E	
			A/R	JUMPER FROM F TO G	
	⇒ HELIOS uses -007 board		A/R	JUMPER FROM H TO J	
			A/R	JUMPER FROM N TO P	
			A/R	JUMPER FROM R TO S	
			A/R	JUMPER FROM W TO Y	
			A/R	JUMPER FROM AA TO AB	
			A/R	JUMPER FROM AD TO AF	
			A/R	JUMPER FROM AH TO AK	
			A/R	JUMPER FROM AL TO AM	
			A/R	JUMPER FROM AT TO AY	
			A/R	JUMPER FROM AV TO AW	
			A/R	JUMPER FROM BA TO BB	
			A/R	JUMPER FROM BD TO BE	
			A/R	JUMPER FROM BH TO BJ	
			A/R	CHASSIS GND W1	
			A/R	SECTOR JUMPER #32	
	NOTE: JUMPER POINTS NOT LISTED				
	ARE OPEN (NOT USED)				

REV 0
DWG NO. 200263-007

MATERIAL LIST

TITLE
ASSEMBLY, PCB DATA AND INTERFACE

DWG NO.
200263-007

REV
0

SHEET 1 OF 1

MODEL 270 HARD SECTOR 32 SECTORS

PERSCI, INC.

ITEM NO.	DRAWING TITLE	DWG NO.	QTY	REMARKS
	USE BASIC BD 200263-000			
	LATEST REVISION AND ADD			
	THE FOLLOWING:			
1	ASSY, SELECT MODULE	200288-003	1	U11
2				
3	CAPACITOR, TANTL., 10% 0.1UF	150100-104	1	C36
4	CAPACITOR, TANTL., 10% 1UF	150100-105	2	C40,41
5				
6	RESISTOR, 1/4 W., 5% 11K	150000-113	2	R88,94
7				
8	WIRE, INSULATED, AWG 24		A/R	JUMPER FROM A TO B
				JUMPER FROM D TO E
				JUMPER FROM F TO G
				JUMPER FROM H TO J
				JUMPER FROM M TO P
				JUMPER FROM R TO S
				JUMPER FROM W TO Y
				JUMPER FROM AA TO AB
				JUMPER FROM AD TO AF
				JUMPER FROM AH TO AK
				JUMPER FROM AL TO AM
				JUMPER FROM AT TO AY
				JUMPER FROM AU TO AW
				JUMPER FROM BA TO BB
				JUMPER FROM BD TO BE
				JUMPER FROM BH TO BJ
				JUMPER FROM BK TO BM
				SECTOR "0" JUMPER 32
				SECTOR "1" JUMPER 32
				CHASSIS GND W1

NOTE: JUMPER POINTS NOT LISTED
ARE OPEN (NOT USED)

MATERIAL LIST

REV B
DWG NO. 200263-008

TITLE ASSEMBLY, PCB DATA AND INTERFACE	DWG NO. 200263-008	REV B	SHEET 1 OF 1
--	------------------------------	-----------------	---------------------

MODEL 270 SINGLE DENSITY, SELECTABLE DRIVE **PERSCI, INC.**

ITEM NO.	DRAWING TITLE	DWG NO.	QTY	REMARKS
	USE BASIC BD 200263-000			
	LATEST REVISION AND			
	ADD THE FOLLOWING:			
1	ASSY., SELECT MODULE	200288-003	1	U11
2				
3	CAPACITOR, TANTL., 10% 0.1UF	150100-104	1	C36
4	CAPACITOR, TANTL., 10% 0.1UF	150100-104	2	C40,41
5				
6	RESISTOR, 1/4 W., 5% 36K	150000-363	2	R88,94
7				
8	WIRE, INSULATED AWG 24		A/R	JUMPER FROM A TO B
				JUMPER FROM D TO E
				JUMPER FROM F TO G
				JUMPER FROM H TO J
				JUMPER FROM M TO P
				JUMPER FROM R TO S
				JUMPER FROM W TO X
				JUMPER FROM AB TO AC
				JUMPER FROM AD TO AE
				JUMPER FROM AH TO AJ
				JUMPER FROM AL TO AM
				JUMPER FROM AY TO AT
				JUMPER FROM AV TO AW
				JUMPER FROM BA TO BB
				JUMPER FROM BD TO BE
				JUMPER FROM BK TO BM
				CHASSIS GND W1
	NOTE: JUMPER POINTS NOT LISTED			
	ARE OPEN (NOT USED)			

REV B
 DWG NO. 200263-009

MATERIAL LIST

TITLE ASSEMBLY, PCB DATA AND INTERFACE	DWG NO. 200263-009	REV B	SHEET 1 OF 1
---	-----------------------	----------	--------------

MODEL 270 SELECTABLE DRIVE, 16 SEPARATED SECTORS	PERSCI, INC.		
---	---------------------	--	--

ITEM NO.	DRAWING TITLE	DWG NO.	QTY	REMARKS
	USE BASIC BD 200263-000			
	LATEST REVISION AND			
	ADD THE FOLLOWING:			
1	IC 74193	150614	2	U16,27
2				
3	CAPACITOR, TANTL., 10% 0.1UF	150100-104	1	C36
4	CAPACITOR, TANTL., 10% 1UF	150100-105	2	C40,41
5				
6	RESISTOR, 1/4 W., 5% 11K	150000-113	2	R88,94
7	ASSY., SELECT MODULE	200288-003	1	U11
8	WIRE, INSULATED AWG 24		A/R	JUMPER FROM A TO B
				JUMPER FROM D TO E
				JUMPER FROM F TO G
				JUMPER FROM H TO J
				JUMPER FROM M TO P
				JUMPER FROM R TO S
				JUMPER FROM W TO Y
				JUMPER FROM AA TO AB
				JUMPER FROM AD TO AF
				JUMPER FROM AH TO AK
				JUMPER FROM AL TO AM
				JUMPER FROM AT TO AY
				JUMPER FROM AV TO AN
				JUMPER FROM BA TO BB
				JUMPER FROM BD TO BE
				JUMPER FROM BH TO BJ
				JUMPER FROM BK TO BM
				SECTOR "0" JUMPER 16
				SECTOR "1" JUMPER 16
	NOTE: JUMPER POINTS NOT LISTED			CHASSIS GND W1
	ARE OPEN (NOT USED)			

MATERIAL LIST

REV C
DWG NO. 200263-009

TITLE		DWG NO.		REV	SHEET
ASSEMBLY, PCB DATA AND INTERFACE		200263-009		C	1 OF 1
MODEL 270 SELECTABLE DRIVE, 16 SEPARATED SECTORS		PERSCI, INC.			
ITEM NO.	DRAWING TITLE	DWG NO.	QTY	REMARKS	
	USE BASIC BD 200263-000				
	LATEST REVISION AND				
	ADD THE FOLLOWING:				
1	IC 74193	150614	2	U16,27	
2	IC 75453	150618	1	U59 'DELETE'	
3	CAPACITOR, TANTL., 10% 0.1UF	150100-104	1	C36	
4	CAPACITOR, TANTL., 10% 1UF	150100-105	2	C40,41	
5					
6	RESISTOR, 1/2 W., 5% 11K	150000-113	2	R88,94	
7	ASSY., SELECT MODULE	200288-003	1	U11	
8	WIRE, INSULATED AWG 24		A/R	JUMPER FROM A TO B	
				JUMPER FROM D TO E	
				JUMPER FROM F TO G	
				JUMPER FROM H TO J	
				JUMPER FROM M TO P	
				JUMPER FROM R TO S	
				JUMPER FROM W TO Y	
				JUMPER FROM AA TO AB	
				JUMPER FROM AD TO AF	
				JUMPER FROM AH TO AK	
				JUMPER FROM AL TO AM	
				JUMPER FROM AT TO AY	
				JUMPER FROM AV TO AW	
				JUMPER FROM BA TO BB	
				JUMPER FROM BD TO BE	
				JUMPER FROM BH TO BJ	
				JUMPER FROM BK TO BM	
				SECTOR "0" JUMPER 16	
				SECTOR "1" JUMPER 16	
	NOTE: JUMPER POINTS NOT LISTED			CHASSIS GND W1	
	ARE OPEN (NOT USED)				

MATERIAL LIST

REV B
DWG NO. 200263-010

TITLE		DWG NO.		REV	SHEET
ASSEMBLY, PCB DATA AND INTERFACE		200263-010		B	1 OF 1
MODEL 277 HARD SECTOR 32 SECTOR ROTARY SELECT		PERSCI, INC.			
ITEM NO.	DRAWING TITLE	DWG NO.	QTY	REMARKS	
	USE BASIC BD 200263-000				
	LATEST REVISION AND				
	ADD THE FOLLOWING:				
1					
2					
3	CAPACITOR, TANTL., 10% 0.1UF	150100-104	1	C36	
4	CAPACITOR, TANTL., 10% 1.0UF	150100-105	2	C40,41	
5					
6	RESISTOR, 1/4 W., 5% 11K	150000-113	2	R88,94	
7	MODULE, SELECT	200288-005	1	U11	
8	WIRE, INSULATED, AWG 24		A/R	JUMPER FROM A TO B	
				JUMPER FROM J TO Z	
				JUMPER FROM K TO L	
				JUMPER FROM N TO P	
				JUMPER FROM S TO T	
				JUMPER FROM W TO Y	
				JUMPER FROM AA TO AB	
				JUMPER FROM AD TO AF	
				JUMPER FROM AH TO AK	
				JUMPER FROM AM TO AN	
				JUMPER FROM AP TO AR	
				JUMPER FROM AS TO AT	
				JUMPER FROM AV TO AW	
				JUMPER FROM BC TO BB	
				JUMPER FROM BD TO BE	
				JUMPER FROM BL TO BM	
				SECTOR "0" JUMPER 32	
				SECTOR "1" JUMPER 32	
	NOTE: JUMPER POINTS NOT LISTED			CHASSIS GND W1	
	ARE OPEN (NOT USED)				

REV
BDWG NO.
200263-011

MATERIAL LIST

TITLE		DWG NO.		REV	SHEET 1 OF 1	
ASSEMBLY, PCB DATA AND INTERFACE		200263-011		B		
MODEL 277 ROTARY SELECT MFM 32 SECTOR		PERSCI, INC.				
ITEM NO.	DRAWING TITLE	DWG NO.	QTY	REMARKS		
	USE BASIC BD 200263-000					
	LATEST REVISION AND					
	ADD THE FOLLOWING:					
1						
2						
3	CAPACITOR, TANTL., 10% 0.1UF	150100-104	1	C36		
4	CAPACITOR, TANTL., 10% 1.0UF	150100-105	2	C40,41		
5						
6	RESISTOR, 1/4 W., 5% 11K	150000-113	2	R88,94		
7	MODULE, SELECT	200288-005	1	U11		
8	WIRE, INSULATED, AWG 24		A/R	JUMPER FROM A TO B		
				JUMPER FROM J TO Z		
				JUMPER FROM K TO L		
				JUMPER FROM N TO P		
				JUMPER FROM S TO T		
				JUMPER FROM W TO Y		
				JUMPER FROM AA TO AB		
				JUMPER FROM AD TO AF		
				JUMPER FROM AH TO AK		
				JUMPER FROM AM TO AN		
				JUMPER FROM AP TO AR		
				JUMPER FROM AS TO AT		
				JUMPER FROM AV TO AW		
				JUMPER FROM BC TO BB		
				JUMPER FROM BD TO BE		
				JUMPER FROM BH TO BJ		
				JUMPER FROM BL TO BM		
				SECTOR "0" JUMPER 32		
				SECTOR "1" JUMPER 32		
	NOTE: JUMPER POINTS NOT LISTED			CHASSIS GND W1		
	ARE OPEN (NOT USED)					

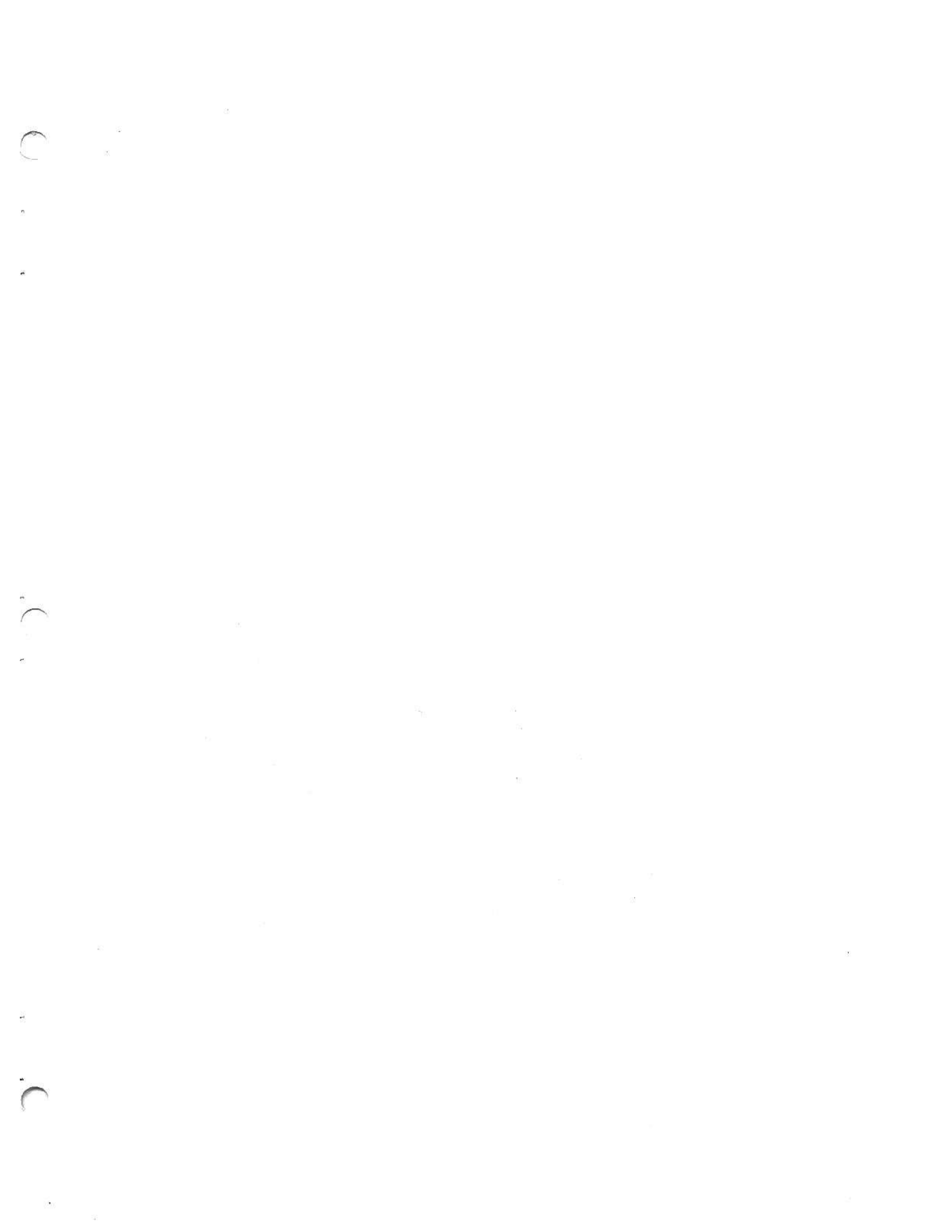
MATERIAL LIST

REV B
DWG NO. 200263-012

TITLE ASSEMBLY, PCB DATA AND INTERFACE	DWG NO. 200263-012	REV B	SHEET 1 OF 1
--	------------------------------	-----------------	---------------------

MODEL 270 DOUBLE DENSITY EXTERNAL PLO SYNC	PERSCI, INC.
---	---------------------

ITEM NO.	DRAWING TITLE	DWG NO.	QTY	REMARKS
	USE BASIC BD 200263-000 REV "H"			
	OR LATER REVISION AND ADD THE			
	FOLLOWING:			
1				
2				
3	CAPACITOR, TANTL., 10% 0.1 UF	150100-104	1	C36
4	CAPACITOR, TANTL., 10% 0.1 UF	150100-104	2	C40, 41
5				
6	RESISTOR, 1/4 W., 5% 36K	150000-363	2	R88, 94
7				
8	WIRE, INSULATED AWG 24		A/R	JUMPER FROM A TO B
				JUMPER FROM D TO E
				JUMPER FROM F TO G
				JUMPER FROM H TO J
				JUMPER FROM M TO P
				JUMPER FROM R TO S
				JUMPER FROM W TO X
				JUMPER FROM AB TO AC
				JUMPER FROM AD TO AE
				JUMPER FROM AH TO AJ
				JUMPER FROM AL TO AM
				JUMPER FROM AY TO AT
				JUMPER FROM AV TO AW
				JUMPER FROM BA TO BB
				JUMPER FROM BD TO BE
				JUMPER FROM BK TO BM
				CHASSIS GND W1
			*	JUMP BH TO U11 PIN 10
	NOTE: JUMPER POINTS NOT LISTED			
	ARE OPEN (NOT USED)			
	*INSTALL ON BACK SIDE OF PCB			



PERSCI, INC.

**12210 Nebraska Ave
W Los Angeles
CA 90025**

January, 1978