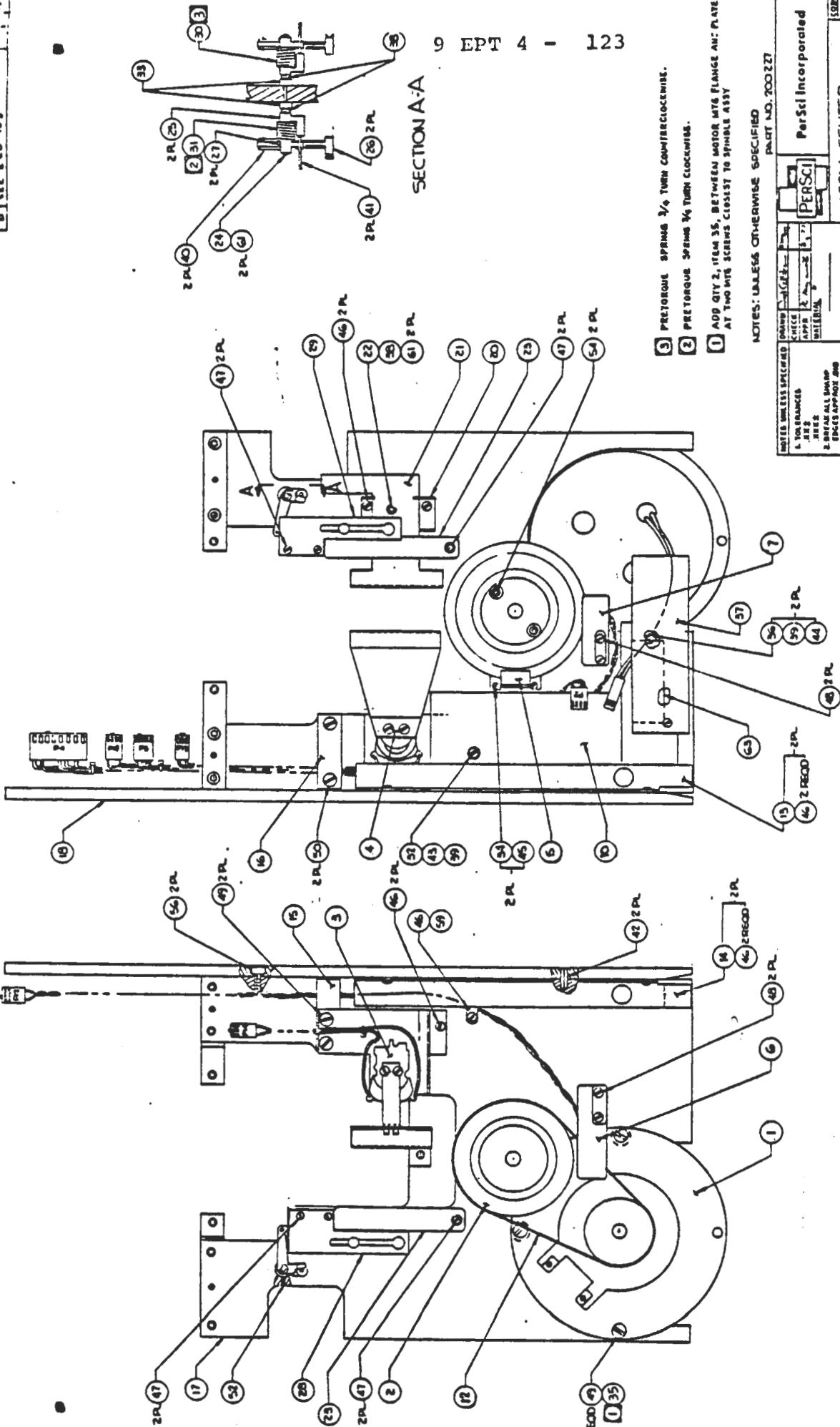


REV.	DESCRIPTION	DATE
A	EXCISE RELEASE	
B	SIL ECD 105	

9 EPT 4 - 123

SECTION A-A



- 1 PRETORQUE SPRING 3/4 TURN COUNTERCLOCKWISE.
- 2 PRETORQUE SPRING 3/4 TURN CLOCKWISE.
- 3 ADD QTY 2, ITEM 35, BETWEEN MOTOR M76 FLANGE AND PLATE AT TWO M76 SCREWS CLOSEST TO SPINDLE ASSY

NOTES: UNLESS OTHERWISE SPECIFIED
PART NO. 700227

UNLESS SPECIFIED	PERSCI	PERSCI Incorporated
1. FOR DIMENSIONS	2. ALL DIMENSIONS APPROXIMATE	3. DIMENSIONS APPROXIMATE
4. ALL DIMENSIONS IN INCHES		
DATE	REV	REV
277	D	B
200151	200227	