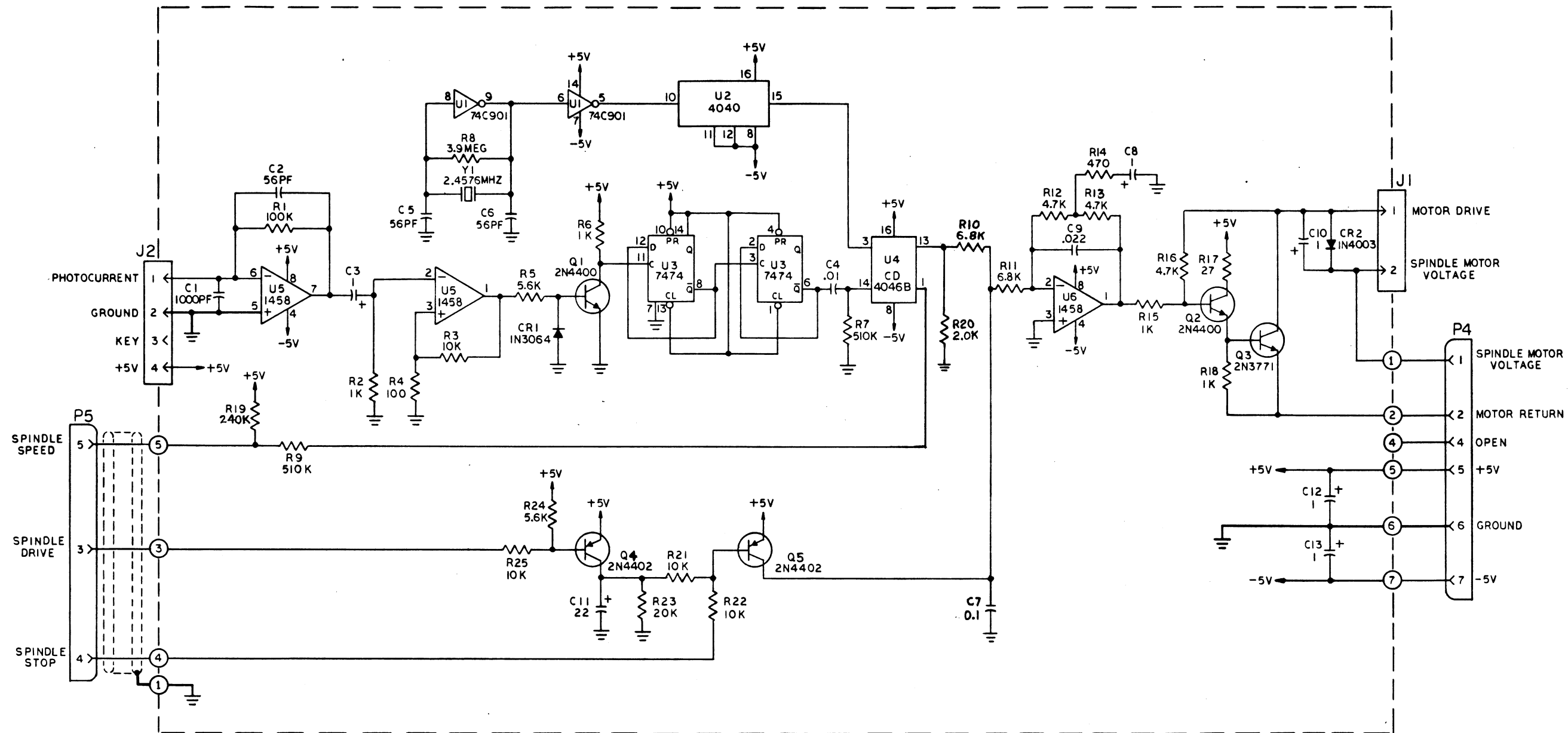


REVISIONS				200730 C	
REV.	DESCRIPTION	CHK.	DATE	APPROVED	
A	ENGIN RELEASE		7/17	Y. Olson	
B	ECO 390 NOT DISTRIBUTED	RSM	5-79	N.O.	
C	ECO 404	RLK	5-79	N.O.	



2 ALL CAPACITORS IN MICROFARADS.  
1. ALL RESISTORS IN OHMS 1/4W, 5%.

PART NUMBER

NOTES UNLESS SPECIFIED	DRAWN	DATE	PERSCI PerSci Incorporated	
1. TOLERANCES XX± XXX±	CHK	1/17/79	SCHEMATIC, PCB. SPINDLE SERVO	
2. BREAK ALL SHARP EDGES APPROX. .010	APPR.	Y. Olson		
3. MACH. SURFACES	MATERIAL		SIZE D	QTY
4. ALL DIMS IN INCHES.	FINISH		200730	C
5. DIMENSIONS APPLY AFTER FINISH AND HEAT TREAT	MODEL NO		SCALE	WEIGHT
	NEXT ASSY	200729		SHT 1 OF 1

200730 C