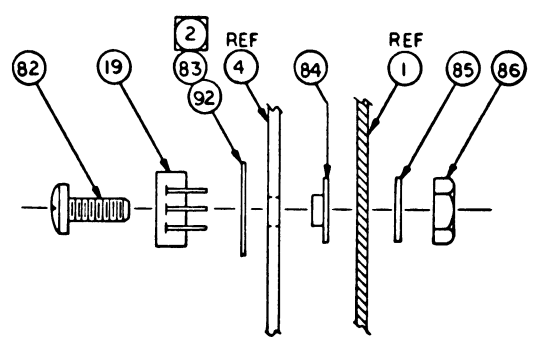
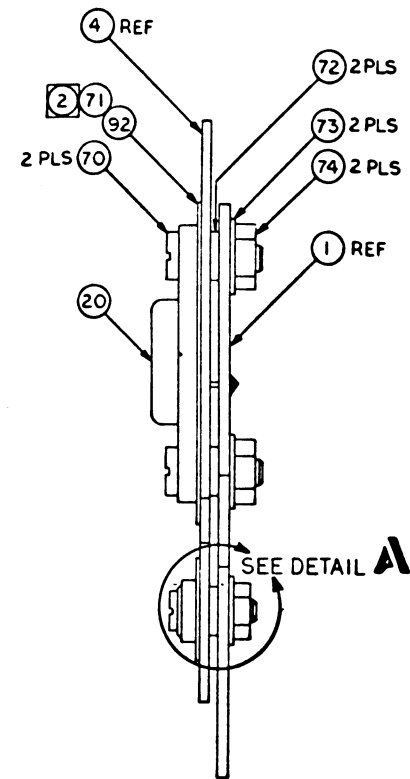
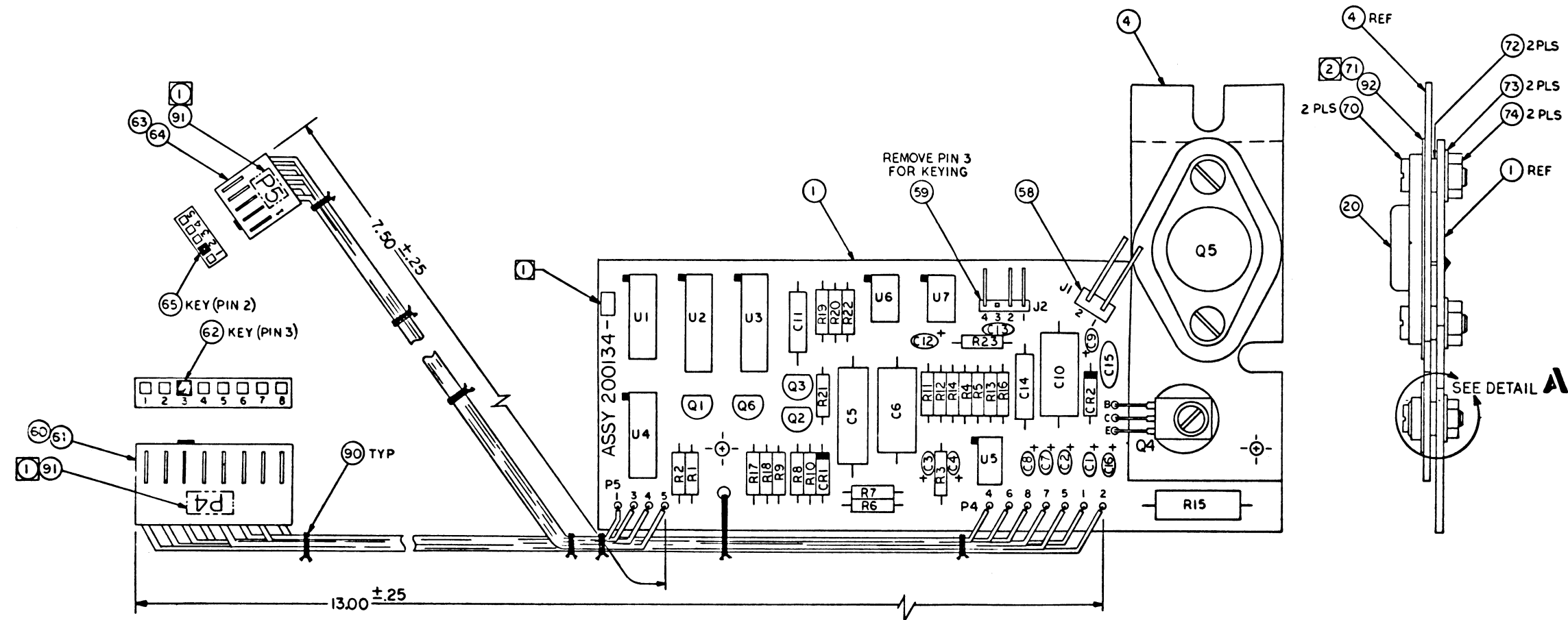
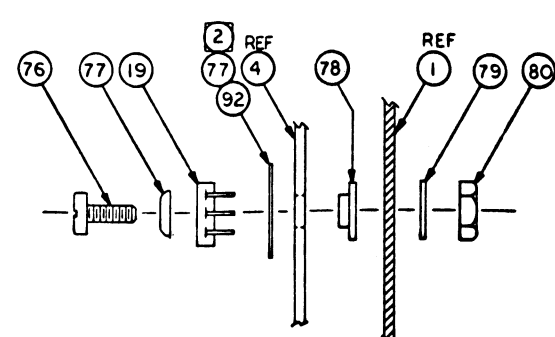


REVISIONS		200134	B
REV	DESCRIPTIONS	CHK	DATE
A	ENGIN REL		9/11/70
B	REVISED HARNESS-NEW LAYOUT		9/11/70



**DETAIL A**  
ITEMS TO BE USED WITH TIP 32  
& RCA 32 TYPE TRANSISTORS



**DETAIL A**  
ITEMS TO BE USED WITH  
MJE 32 TYPE TRANSISTORS

- 3. SCHEMATIC REF 200133.
  - ② APPLY SILICON GREASE ON BOTH SIDES OF MICA INSULATOR.
  - ① MARK REVISION LEVEL .12 HIGH WHITE CHARACTERS IN APPROX AREA SHOWN.
- UNLESS OTHERWISE SPECIFIED:

		<b>PERSCI, INC.</b>	
DATE:	REVISION:	DRAWN BY:	
<b>ASSEMBLY, PCB, SPINDLE SERVO</b>			
MODEL 272	SCALE 2:1	DRAWING NO. 200134 B	
		SHT 1 OF 4	