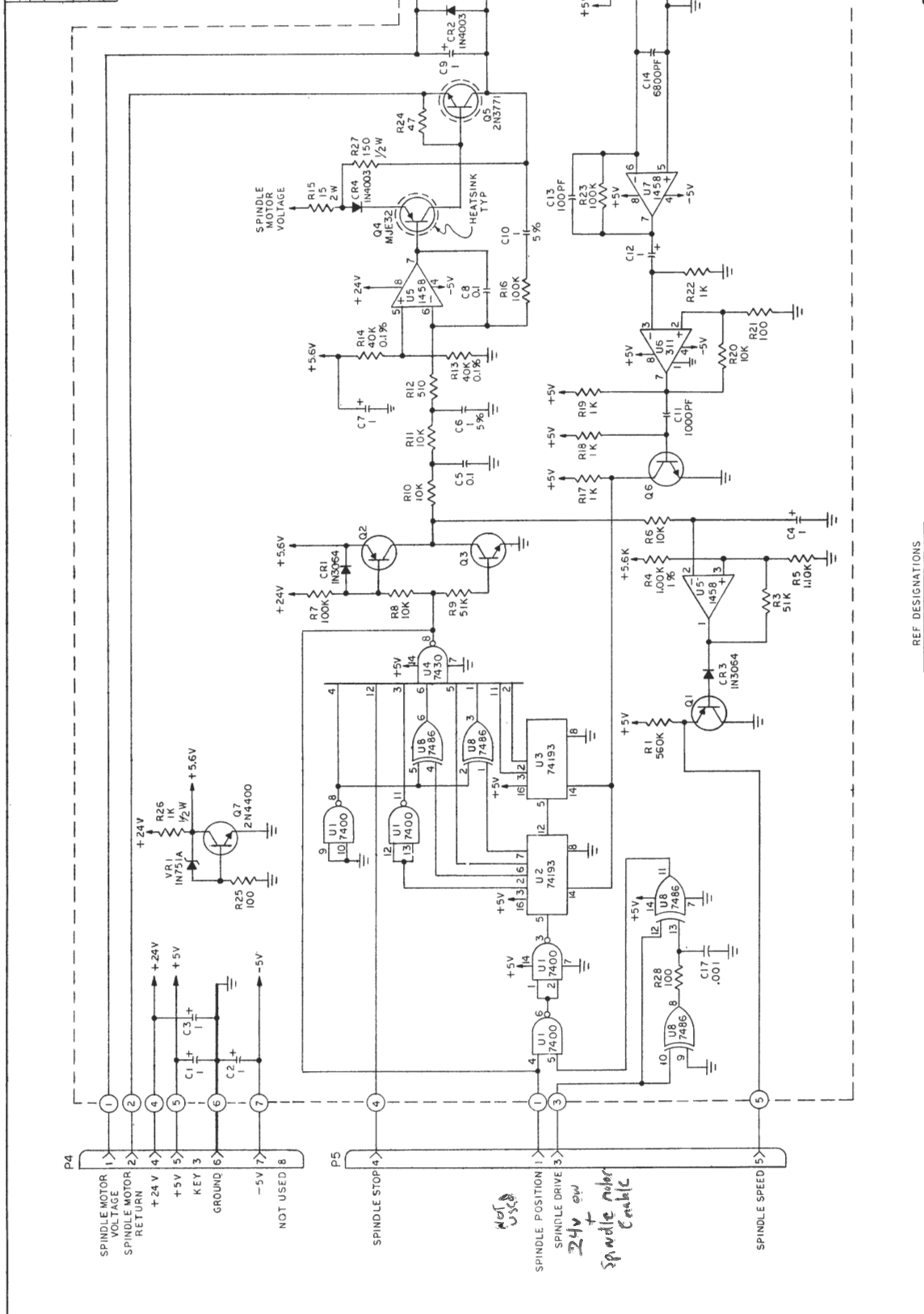


REV	REVISIONS	200133 E
A	ENGINE REVISION	200133 APR
B	ENGINE REVISION TO NETWORK DESIGN ONLY. NEW PIN DESIGN ON U1, U3, U7, U8. USE WITH PROG. BD. V. AND UP.	200133 J
C	ECCO 28	200133 K
D	ECCO 47	200133 L
E	ECCO 53	200133 M



LAST USED	DELETED
U3	
U5	
U6	
U7	
U8	
R28	
VRI	

REF DESIGNATIONS

4 ALL PNP TRANSISTORS TO BE 2N4402.
 3 ALL NPN TRANSISTORS TO BE 2N4400.
 2 ALL CAPACITOR VALUES IN MICROFARADS.
 1. ALL RESISTOR VALUES IN OHMS, 1/4W, 5%.

UNLESS OTHERWISE SPECIFIED:

PERSCI	DATE	DESIGNED BY	APPROVED BY

PERSCI, INC.

SCHEMATIC, PCB, SPINDLE SERVO

MOD 270/272/277

SHT 1 OF 1

200133 E