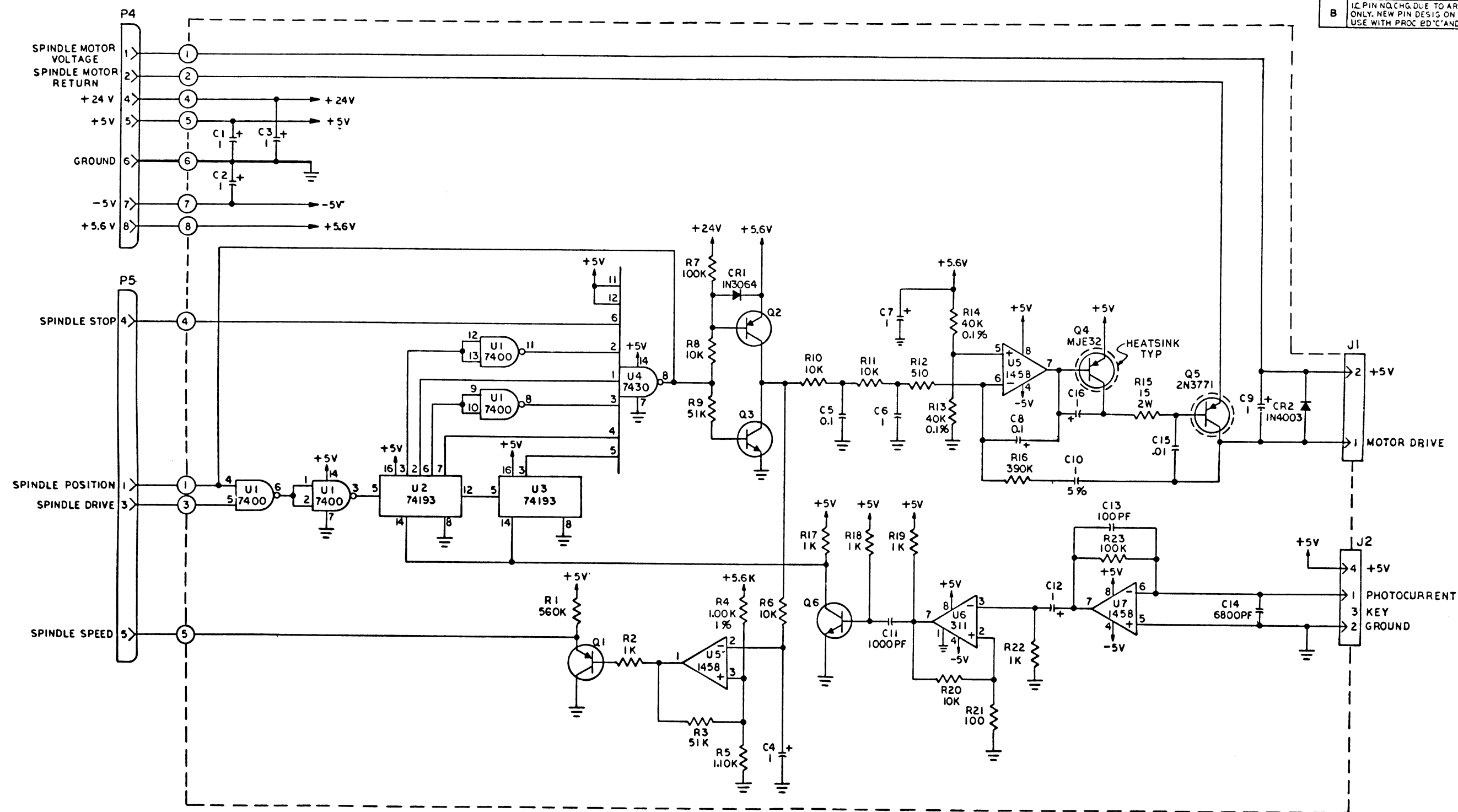


REVISIONS		200133	B
REV	DESCRIPTION	CHK	DATE
A	ENGIN REL		
B	IC PIN NO. CHG. DUE TO ARTWORK REDESIGN ONLY. NEW PIN DESIG ON U1, U4, U5, U7. USE WITH PROC 8D'C AND UP		



REF DESIGNATIONS

LAST USED	DELETED
U7	
Q6	
CR2	
C16	
R23	

- 4 ALL PNP TRANSISTORS TO BE 2N4402.
  - 3 ALL NPN TRANSISTORS TO BE 2N4400.
  - 2 ALL CAPACITOR VALUES IN MICROFARADS.
  - 1. ALL RESISTOR VALUES IN OHMS, 1/4W, 5%.
- UNLESS OTHERWISE SPECIFIED;

		<b>PERSCI, INC.</b>	
DATE:		DATE:	
<b>SCHEMATIC, PCB, SPINDLE SERVO</b>			
MODEL 272	SHT 1 OF 1	DATE:	200133