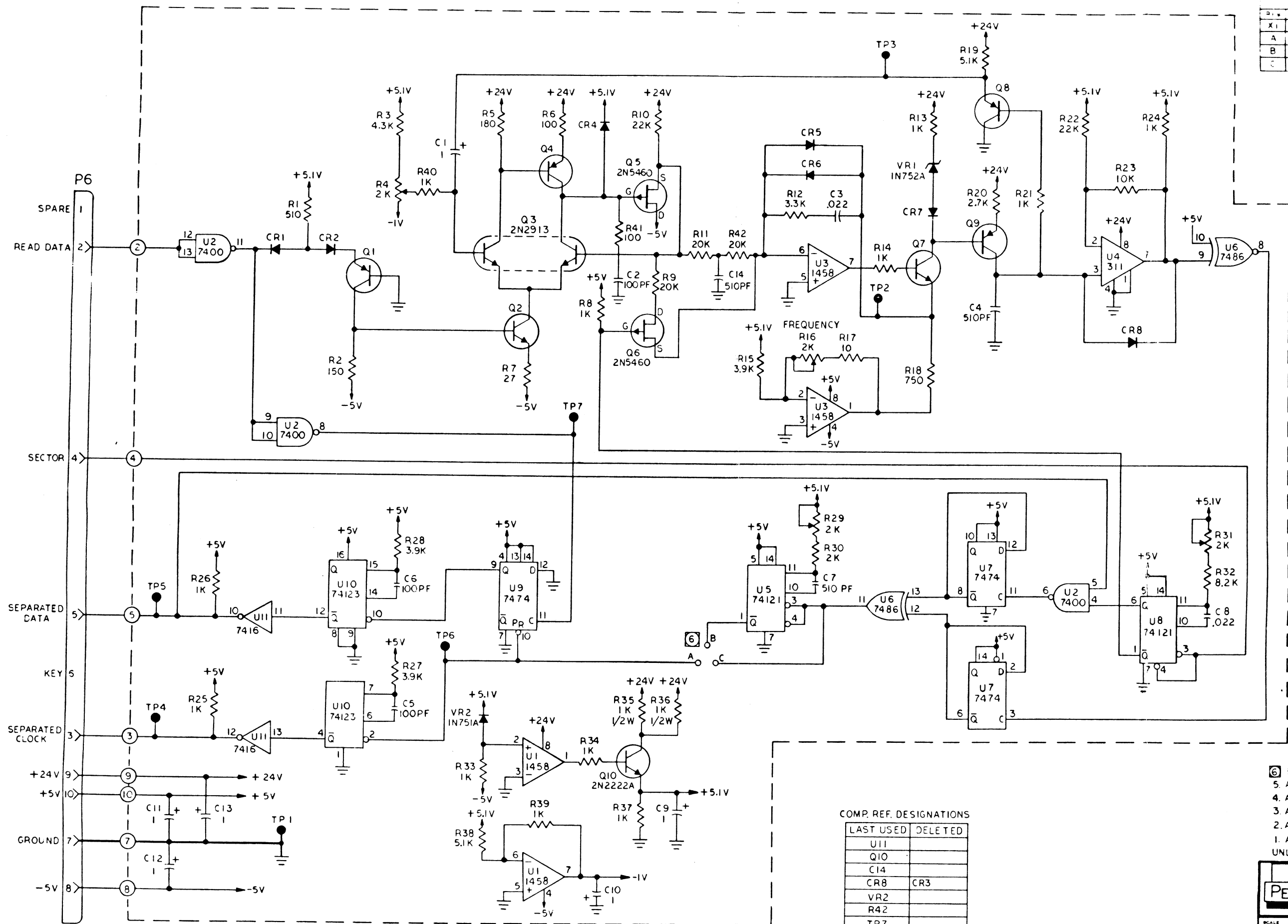


REV	DATE	BY
X1	EXP REL	
A	ENG. REV.	
B	ECO 298	
C	ECO 576	



COMP. REF. DESIGNATIONS

LAST USED	DELETED
U11	
Q10	
C14	
CR8	CR3
VR2	
R42	
TP7	

- ⑥ FOR JUMPER LOCATIONS SEE TABULATED M/L.
- 5. ALL PNP TRANSISTORS TO BE 2N4402.
 - 4. ALL NPN TRANSISTORS TO BE 2N4400.
 - 3. ALL DIODES TO BE IN3064.
 - 2. ALL CAPACITORS IN MICROFARADS.
 - 1. ALL RESISTORS IN OHMS 1/4W 5% UNLESS OTHERWISE SPECIFIED.

PERSCI, INC.

PERSCI

SCALE: _____ APPROVED BY: _____ DRAWN BY: _____

DATE: _____ REVISED: _____

SCHEMATIC. DOUBLE ENDED DATA SEPARATOR

270/272/277 SHT 1 OF 1 DRAWING NUMBER 200259/C

200259/C