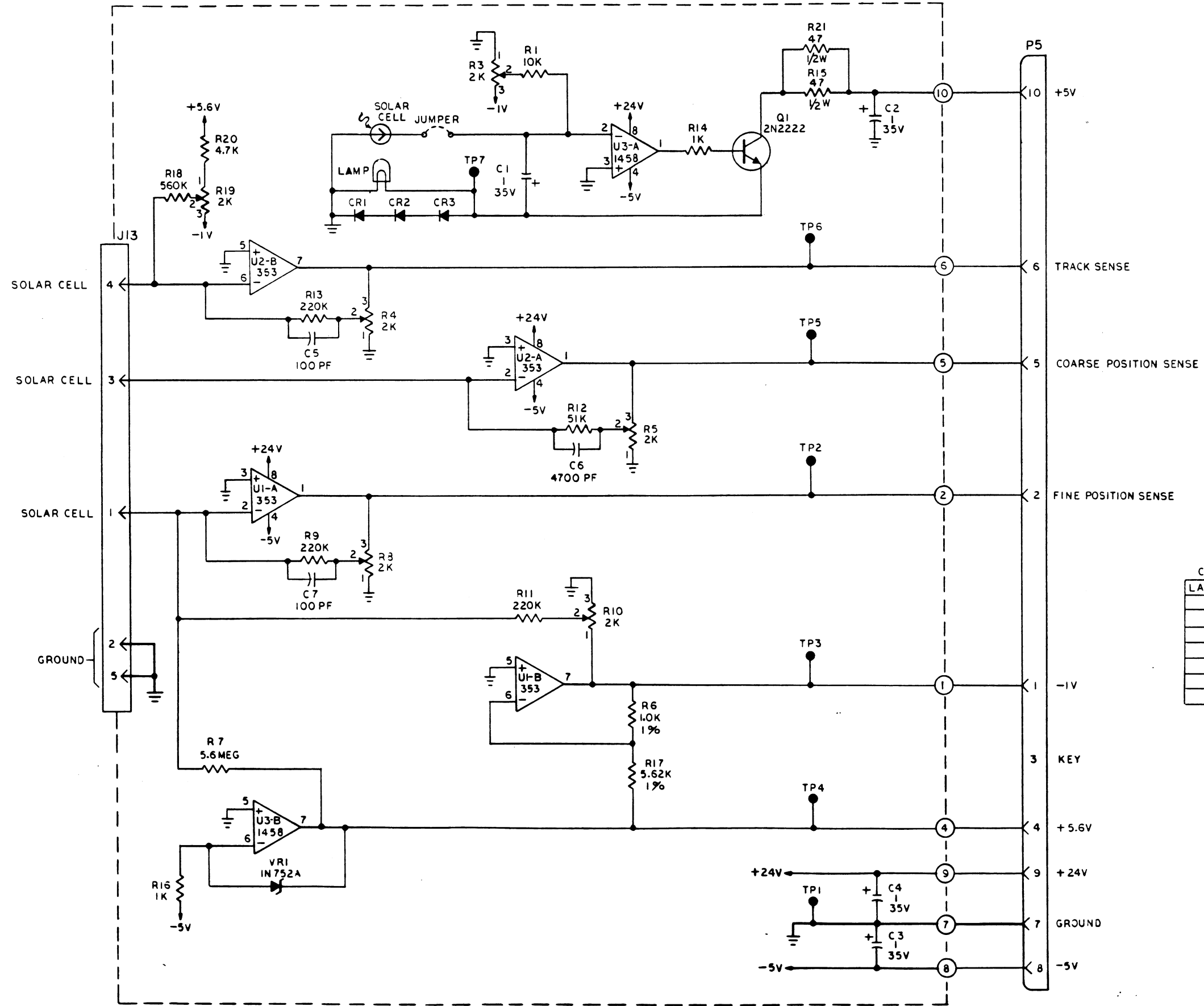


| REVISIONS | | 200096 H |
|-----------|-------------------|----------------|
| REV | DESCRIPTIONS | CHK. DATE APPR |
| A | ENGIN REL | |
| B | ADD R18, R19 & 20 | |
| C | ECO 63 MFG REL | |
| D | SEE ECO 77 | |
| E | ECO 179 | |
| F | ECO 227 | |
| G | ECO 294 | |
| H | ECO 348 | |



COMP REF. DESIGNATIONS

| LAST USED | DELETED |
|-----------|---------|
| U3 | |
| Q1 | |
| CR3 | |
| C7 | |
| R21 | R2 |
| TP7 | |
| VR1 | |

3 ALL DIODES TO BE IN4003.
 2 ALL CAPACITOR VALUES IN MICROFARADS.
 1 ALL RESISTOR VALUES IN OHMS, 1/4 W., 5%
 UNLESS OTHERWISE SPECIFIED.

| | |
|--------------------------------|--------------|
| PERSCI, INC. | |
| PERSCI | |
| DATE: | APPROVED BY: |
| DATE: | REVISED: |
| SCHEMATIC, PCB, LAMP AMPLIFIER | |
| MOD 270/272/277 | SHT 1 OF 1 |
| 200096 H | |

200096 H