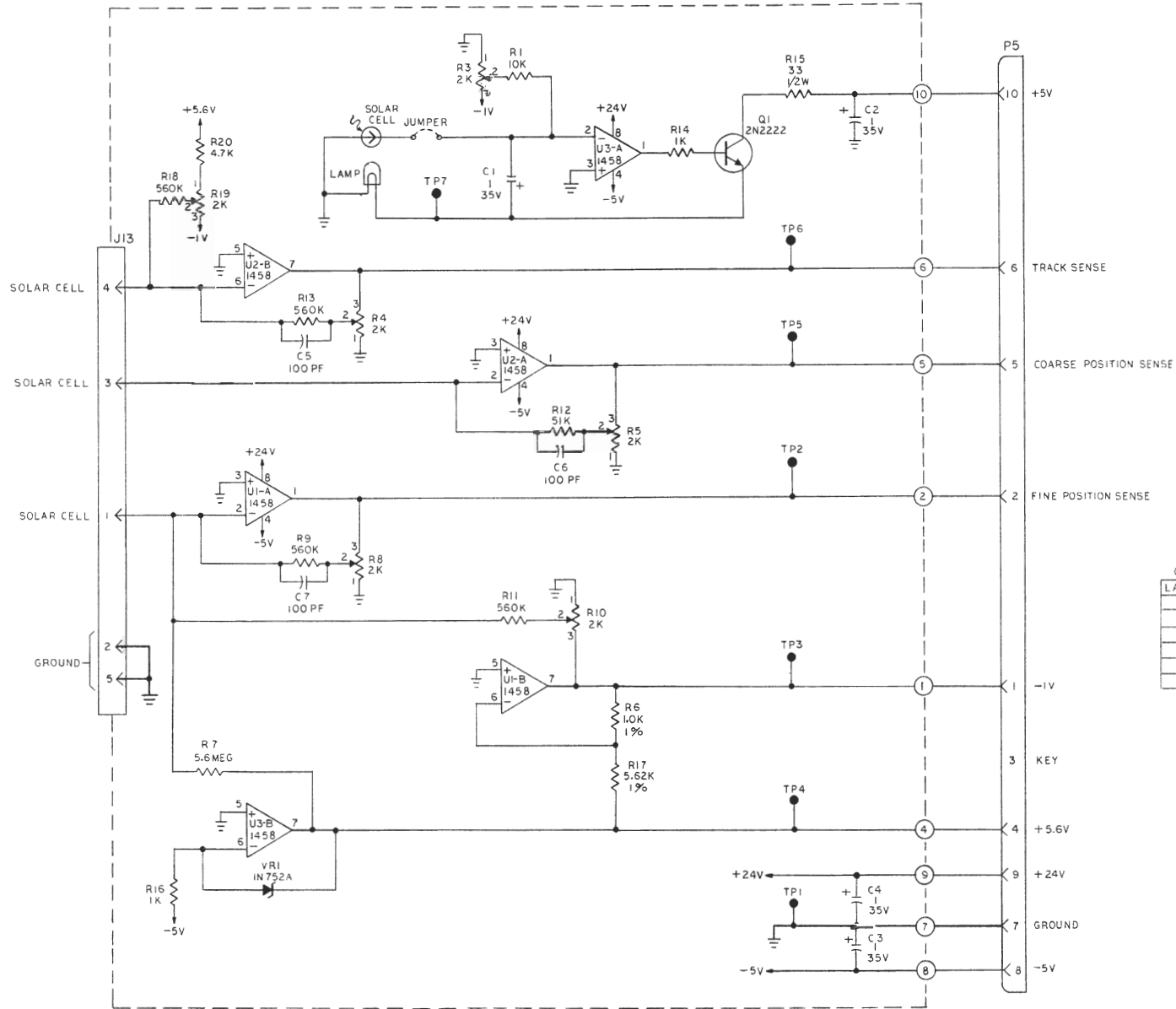


REVISONS		200096	D
REV	DESCRIPTIONS	CHK	DATE
A	ENGIN REL		
B	ADD R18,19 & 20		
C	ECO 63 MFG REL		
D	SEE ECO 77		



COMP REF. DESIGNATIONS

LAST USED	DELETED
U3	
Q1	
CR1	
C7	
R20	R2
TP7	

2 ALL CAPACITOR VALUES IN MICROFARADS.
 1 ALL RESISTOR VALUES IN OHMS, 1/4W, 5%
 UNLESS OTHERWISE SPECIFIED:

		PERSCI, INC.	
DATE		DESIGNED BY	REVISED
SCHEMATIC, PCB, LAMP AMPLIFIER			
MOD 270/272/277	SHT 10F 1	DRAWING NUMBER	200096D