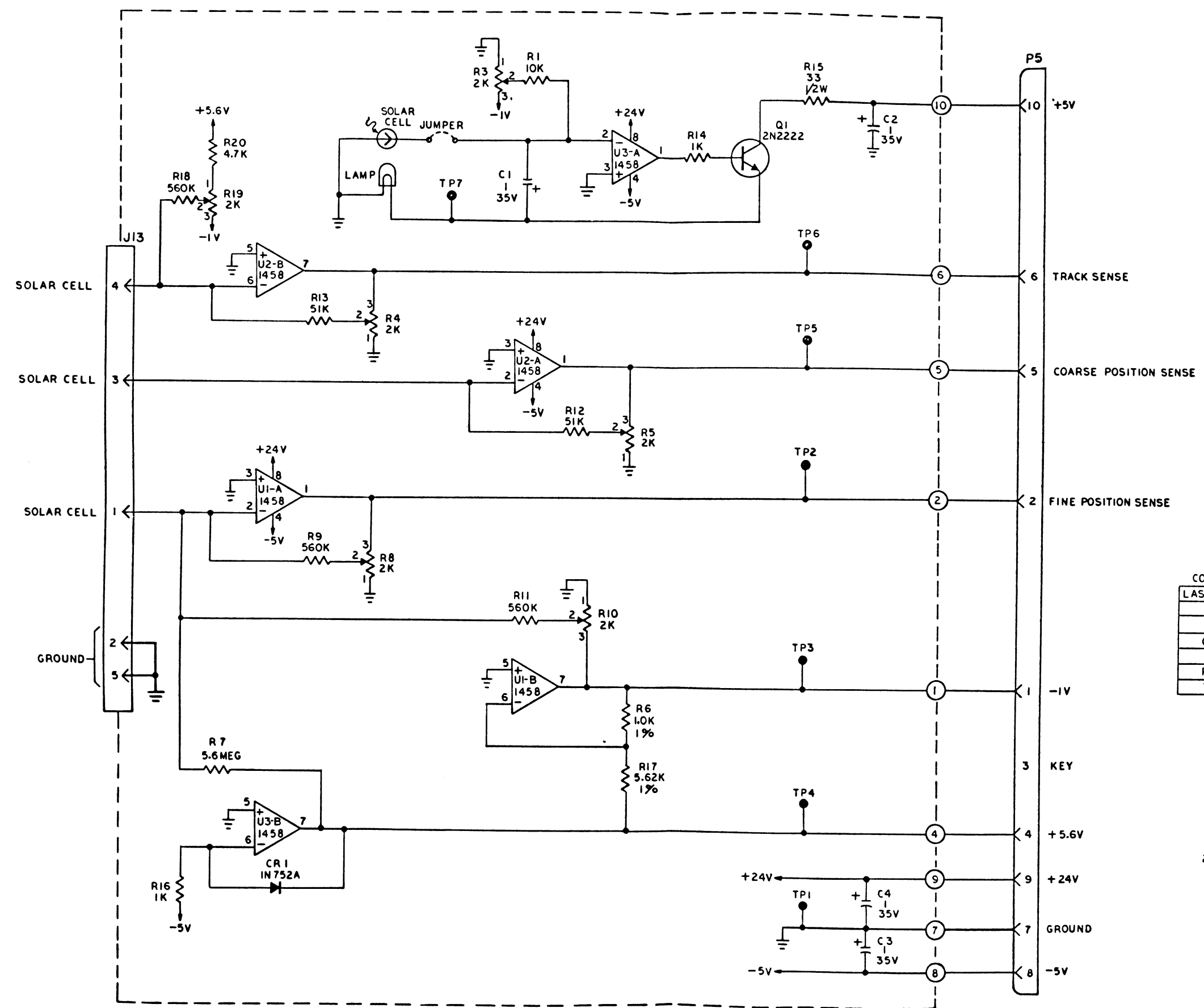


REV		DESCRIPTIONS	CHK	DATE	APPR
A		ENGIN REL			
B		ADD R18, R19 & R20			



COMP REF. DESIGNATIONS

LAST USED	DELETED
U3	
Q1	
CR1	
C4	
R20	R2
TP7	

2 ALL CAPACITOR VALUES IN MICROFARADS.
 1 ALL RESISTOR VALUES IN OHMS, 1/4W, 5%.
 UNLESS OTHERWISE SPECIFIED:

PERSCI		PERSCI, INC.	
SCALE:	APPROVED BY:	DATE:	DESIGNED BY:
SCHEMATIC, PCB, LAMP AMPLIFIER			
MODEL 70/272	SHT 1 OF 1	200096	B
PROC ED B			