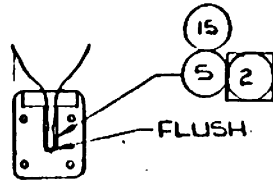
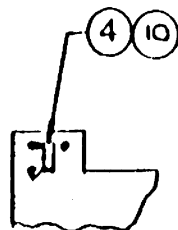


TABULATION CHAF		
ASSY NO. (A)	ITEM 5 (P/N)	USE ON
200079-001	100013-003	270/277
200079-002	100013-005	10/210/277

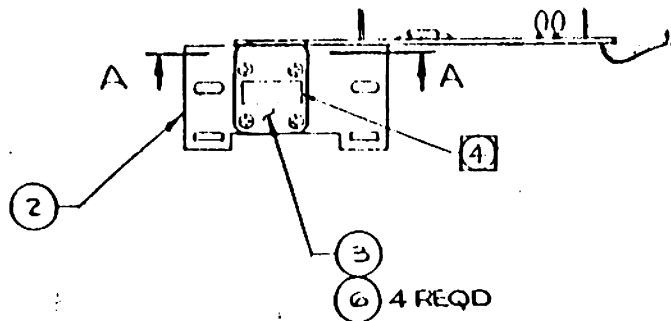
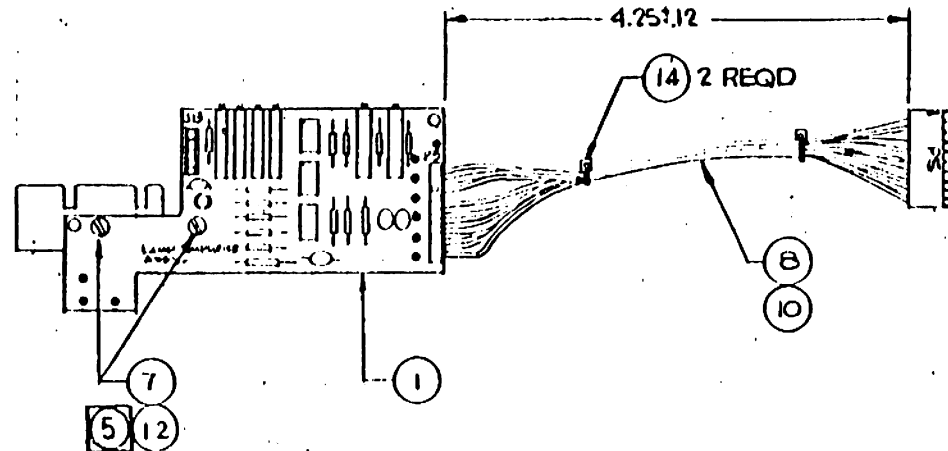
REVISIONS		20079 J
REV	DESCRIPTION	DATE APPR
A	ENGR RELEASE	
B	REVISED	1/77 P.L.K.
C	SEE E.C.O III	2/77 P.L.A.
D	ITEM 5 P/N CHANGED 20079-004 100013-003 ONLY - NO COMPATIBLE	2/77 P.L.A.
E	SEE E.C.O. 137	2/77 P.L.K.
F	ECO 171	1/77 P.L.K.
G	ECO 228	1/77 P.L.K.
H	270/277 TO USE 100013-005 (AMP) SEE ECO 293	10/77 P.L.A.
J	SEE ECO 525	12/79 P.L.K.



DETAIL OF ITEM 5  
INSTALLATION



VIEW A-A  
ORIENTATION OF ITEM 4



- 5 APPLY ITEM 12, GLYPTAL, ON SCREW THREAD AND UNDER SCREW HEAD AND TORQUE TO  $5.5 \pm .5$  IN. -LBS.
  - 4 MARK DASH NO, WITH WHITE EPOXY INK.  
3. FOR SCHEMATIC SEE 200096.
  - 2 BOND ITEM 5 INTO GROOVE OF ITEM 3, USING ITEM 15.  
1. FOR WIRE LIST SEE 200186.
- NOTES: UNLESS OTHERWISE SPECIFIED  
PART NO. 200079-XXX

NOTES UNLESS SPECIFIED 1. TOLERANCES .XX ± .XXX ± 2. BREAK ALL SHARP EDGES APPROX .010 3. MACH. SURFACES ✓ 4. ALL DIMS IN INCHES.	DRAWN <i>John Maynard</i> 2/6/77 CHECK <i>Prod Cell</i> 1/27/77 APPR. <i>P. Maynard</i> 1/27/77 MATERIAL _____ FINISH _____		PerSci Inc ASSY. TRANSDUCER AMP.	CODE 100	
	MODEL NO. 70 277 NEXT ASSY 200019 200228			SCALE 1/1 DO NOT SCALE THIS DRAWING	SIZE C
			WEIGHT	SHEET 1 OF 1	

200079 J