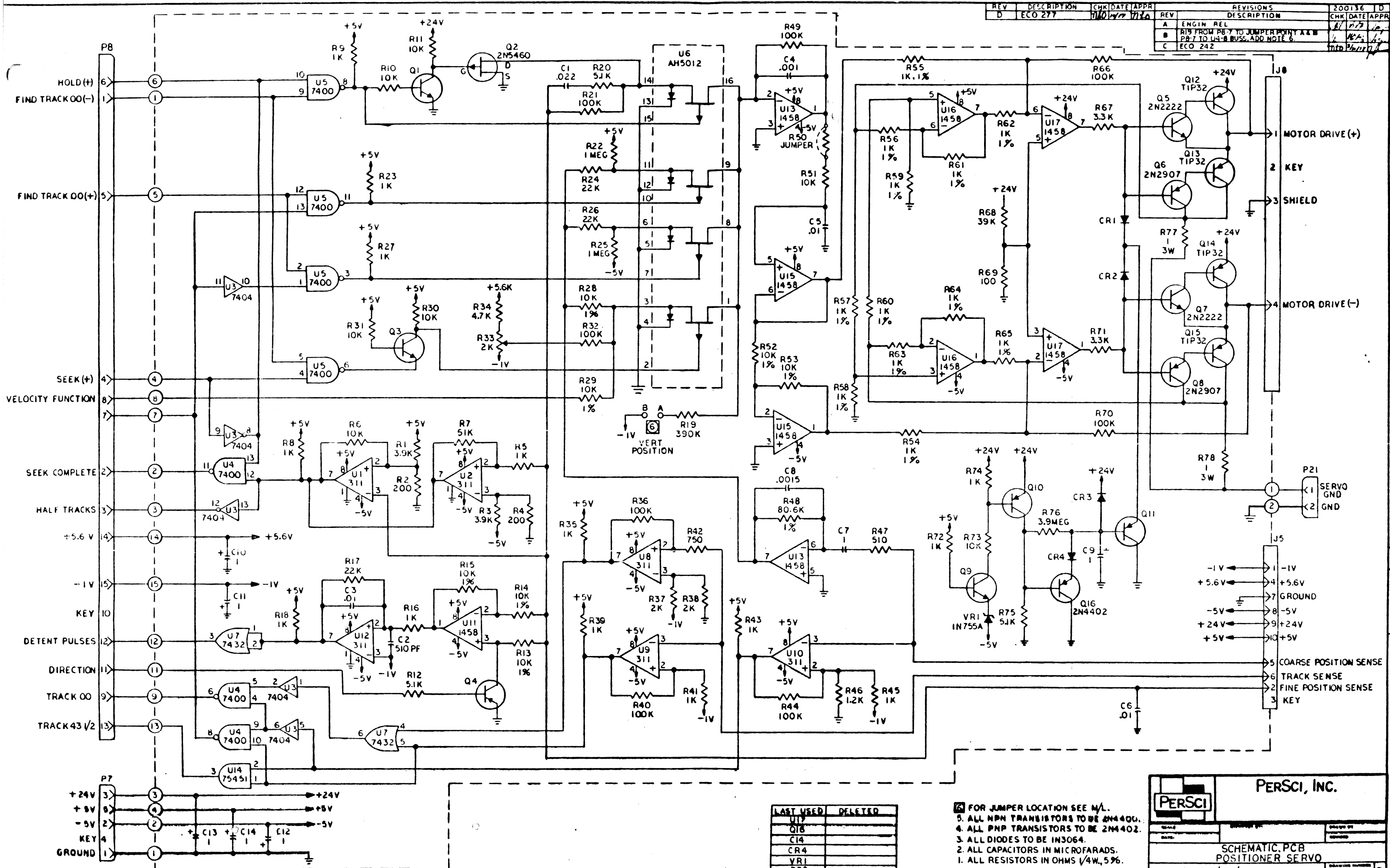


REV	DESCRIPTION	CHK	DATE	APPR	REVISIONS	200136	ID
D	ECO 277		11/20/77				
A	ENGIN REL						
B	R19 FROM P8-7 TO JUMPER POINT A & B						
C	P8-7 TO U4-B BUSS, ADD NOTE 6						
	ECO 242						



LAST USED	DELETED
U17	
Q16	
C14	
CR4	
VR1	
R78	

6. FOR JUMPER LOCATION SEE M/L.
 5. ALL NPN TRANSISTORS TO BE 2N4400.
 4. ALL PNP TRANSISTORS TO BE 2N4402.
 3. ALL DIODES TO BE IN3064.
 2. ALL CAPACITORS IN MICROFARADS.
 1. ALL RESISTORS IN OHMS 1/4W, 5%.
 UNLESS OTHERWISE SPECIFIED;

PERSCI, INC.

 SCHEMATIC PCB
 POSITIONER SERVO
 MO: L 270/272/277 SHT 1 OF 1 200136D

200136 D