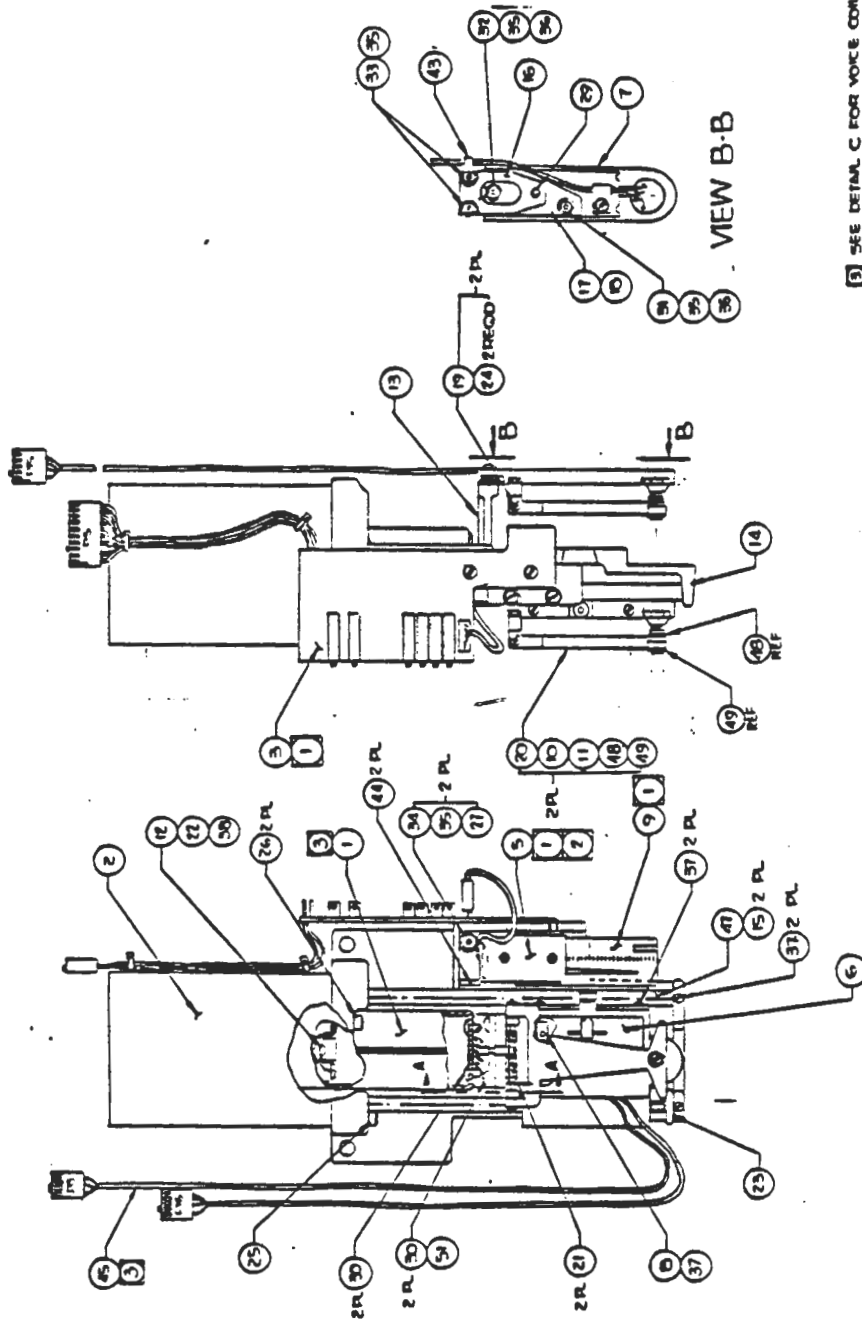
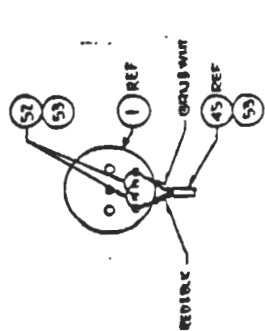


REV	DATE	BY	DESCRIPTION
A			ENGR RELEASE
B			REVISION

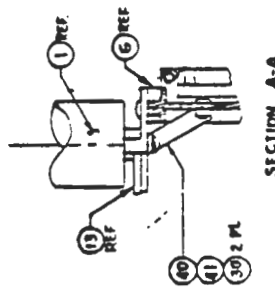
9 EPT 4 - 124



VIEW B-B



VOICE COIL WINDING
DETAIL C



SECTION A-A

- 1 SEE DETAIL C FOR VOICE COIL WINDING.
- 2 PRELIMINARY SETTING BETWEEN SCALE SURFACE OF ITEM 9 AND MASK SURFACE OF ITEM 5 TO BE .05" ± .004 AND PARALLEL WITHIN .005.
- 3 BEFORE MTS ITEM 5 AND ITEM 5 INSTALL ITEM 9 USING HEIGHT AND PARALLEL SETTING TOOL T-0004.

NOTES: UNLESS OTHERWISE SPECIFIED

PART NO 200228

NOTES: UNLESS SPECIFIED 1. DIMENSIONS 2. FINISH 3. DRILL ALL HOLE 4. HOLE APPROX AND 5. HOLE SURFACES 6. ALL DIMS IN INCHES.	PERSCI	PerSci Incorporated	REV	DATE	BY	DESCRIPTION
			1/1	D		200228
			MODEL NO	217		
			ITEM NO	200228		
			REV			
			DATE			
			BY			
			DESCRIPTION			
			REV			
			DATE			
			BY			
			DESCRIPTION			