

9 EPT 4 - 301

200264

COMPONENT REF. DESIGNATIONS

LAST USED	DELETED
U61	U49
Q39	
C60	C31, C32
CR18	CR1, CR2
VR4	
U17	U11
TP7	
L1	

- 5. ALL PNP TRANSISTORS JOBE 2N4402.
- 4. ALL NPN TRANSISTORS TO BE 2N4400.
- 3. ALL DIODES TO BE IN3064.
- 2. ALL CAPACITORS IN MICROFARADS.
- 1. ALL RESISTORS IN OHMS,  $\mu$ W, % UNLESS OTHERWISE SPECIFIED.

FOR VARIABLE COMP VALUES AND JUMPER LOCATIONS SEE TABULATED M/L.

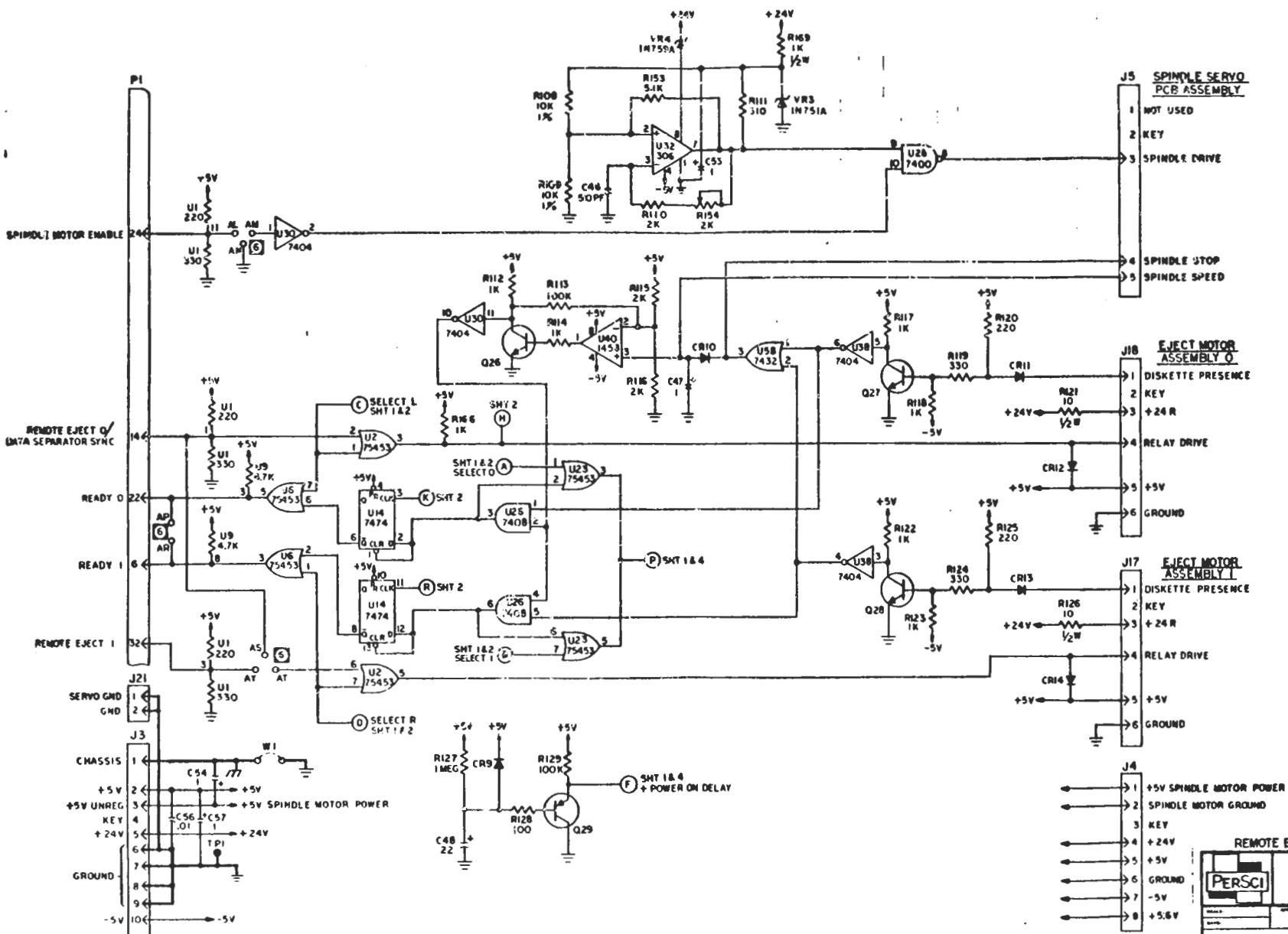
READ/WRITE/ERASE ELECTRONICS

**PERSCI, INC.**

PERSCI

SCHMATIC, PCB, DATA & INTERFACE

MOD 270/272/277 SMT 1 OF 4 200264



9 EPT 4 - 302

REMOTE EJECT, READY, SPINDLE

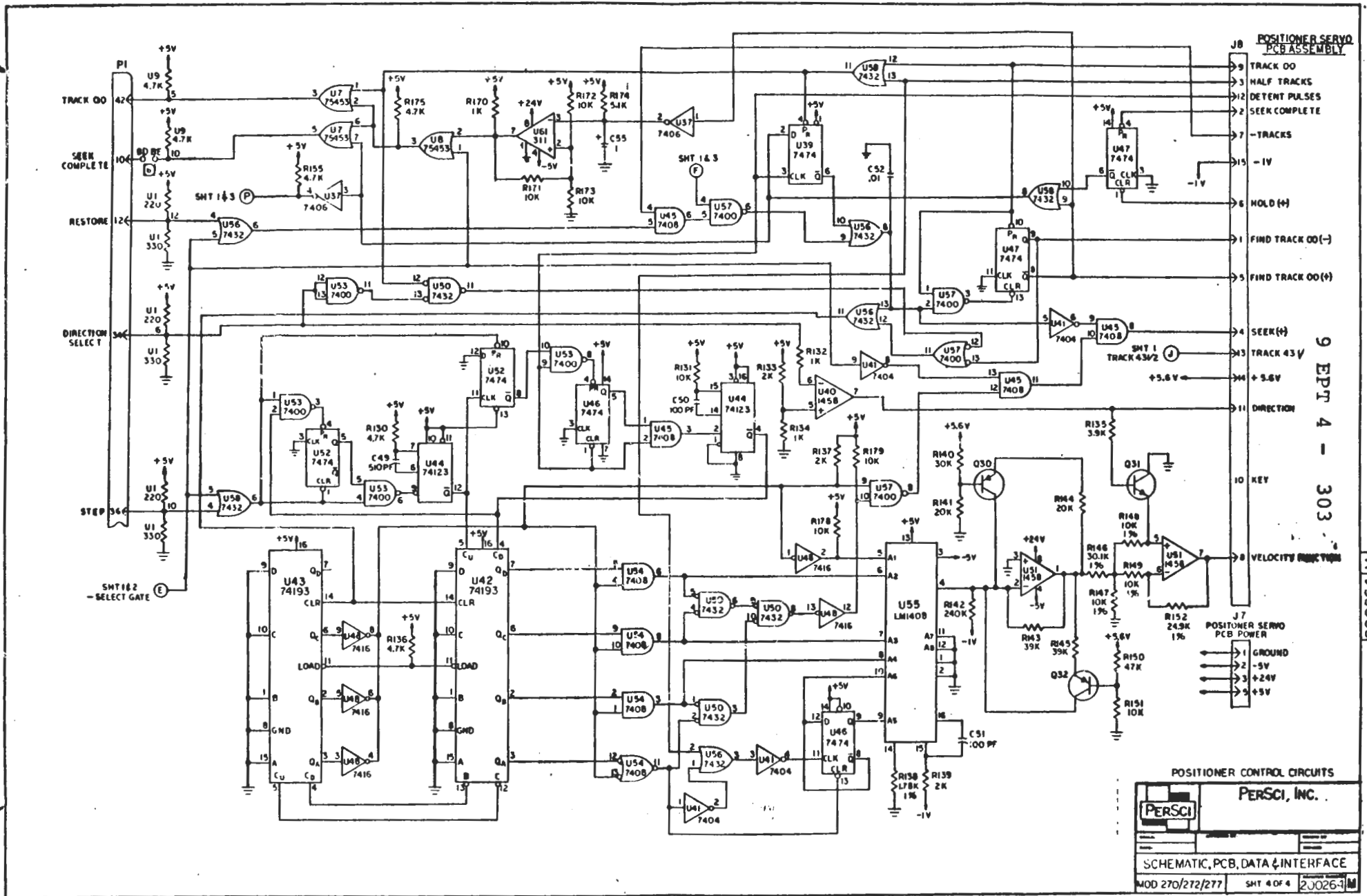
**PERSCI, INC.**

PERSCI

SCHMATIC, PCB, DATA & INTERFACE

MOD 270/272/277 SHT 3 OF 4 200264M

1192000



9 EPT 4 - 303

200264 M

POSITIONER CONTROL CIRCUITS

**PERSCI, INC.**

SCHEMATIC, PCB, DATA & INTERFACE

MOD 270/272/277 SMT 4 OF 4 200264 M

